

ASSEMBLY INSTRUCTION

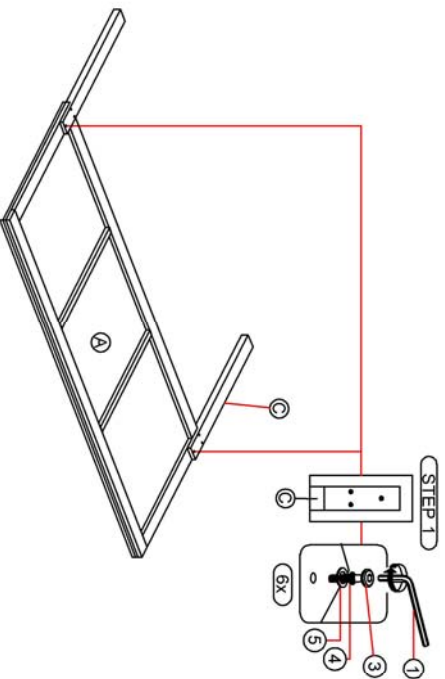
**MODEL : BLANCA
QUEEN BED**

STEP 1

Attach the Headboard Leg (C) to Headboard (A) as shown using JCBC Bolt (3), Spring Washer (4), Flat Washer (5) and fasten with Allen Wrench (1).

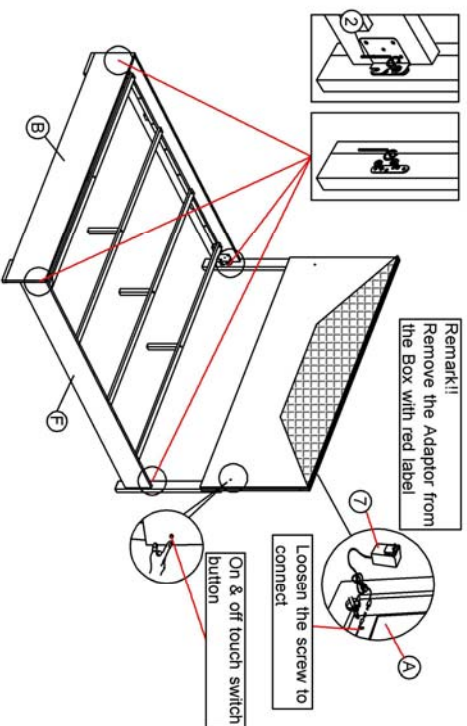
**(BOX 1)
BOX OF HEADBOARD**

NO	ITEM	QTY
A	HEADBOARD	1
B	FOOTBOARD	1
C	HEADBOARD LEG LR	2
D	BED SLATS	4
E	BED SLATS SUPPORT	4



STEP 2

STEP 2.1: Loosen the bolt on Headboard Leg (C) and Hook the Side Rails (F) to Headboard Leg (C) closely and push down to fit.
STEP 2.2: Retighten the bolt using an Allen Wrench (2) as shown. Repeat the same step with other end of rail to hook onto Footboard (B).



(BOX 2) BOX OF SIDE RAIL

NO	ITEM	QTY
F	SIDE RAILS	2

STEP 3

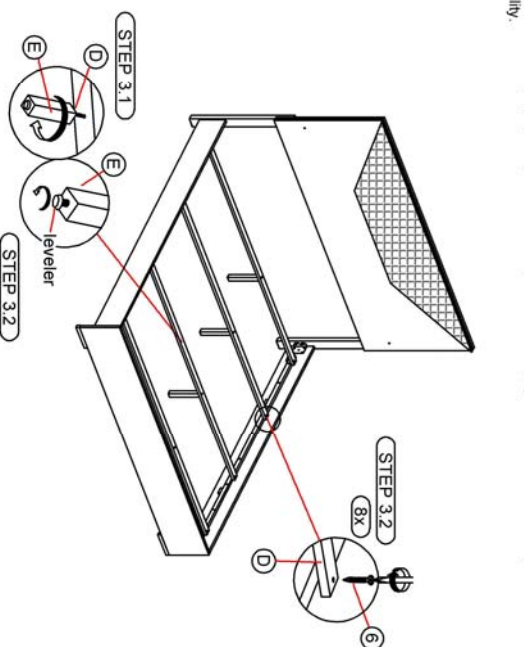
STEP 3.1: Fix the Bed Slats Support (E) to Bed Slats (D) as Shown.

STEP 3.2: Loosen or Tighten the Adjuster as necessary to level the Bed

STEP 3.3: Fix the Bed Slats (D) by push closely to Side Rail (F) by using Flat Head Chipboard Screw (6) as shown. Bed assembly should be done in final location to ensure stability.

**(BOX 1)
HARDWARE LIST**

NO	ITEM	QTY
1	ALLEN WRENCH M4 X 65MM BLK	1
2	ALLEN WRENCH M5 X 65MM BLK	1
3	JCBC M6 X 32MM BLK	6
4	SPRING WASHER 1/16" BLK	6
5	FLAT WASHER 1/16"13MMOD BLK	6
6	FLAT HEAD SCREW M4 X 32MM RBV	8
7	ADAPTOR 12V+12V+1A ADAPTOR WITH ILL GENERATE	1



**COMPLETED
ASSEMBLY**

NOTE : MUST TIGHTEN SCREWS PERIODICALLY WITH USE SCREW WILL BECOME LOOSE.CHECK TIGHTNESS OF ALL SCREW EVERY 6-8 WEEKS.
DO NOT TIGHTEN BOLTS UNTIL COMPLETELY ASSEMBLED.