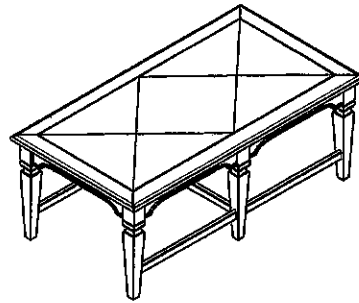


ASSEMBLY INSTRUCTIONS



373 - 910

TOOLS REQUIRED:

Allen Key (supplied, Part # D)
Screwdriver (Not Provided)

BEFORE YOU START:

1. Check the hardware against the hardware list to make sure all items are present.
2. Assemble your furniture on a soft, flat surface to avoid scratching the finish.
3. **CAUTION:** Do not over tighten screws, nuts or bolts during assembly.
4. Your furniture may require occasional tightening.

INSTRUCTIONS:

1. Turn Table Top on to a clean, soft surface. Attach Cam Bolt (E) on all the legs. (See Figure 1).
2. Attach stretcher (center) on the leg (center) by using Cam Lock Nut (F) . (See Figure 2).
3. Attach frame leg of step 2 on the table using Flat washer (C), Lock Washer (B) Bolt (A) with Allen Key (D) .(See Figure 3).
4. Attach all Cam Lock Nut (F) on the stretcher and attach all legs, stretcher on the table. (See Figure 4).
5. Using Flat washer (C), Lock Washer (B) Bolt (A) with Allen Key (D) to connect the leg on the table. (See Figure 5).
6. Using Screwdriver to connect stretcher on the leg. (See Figure 6). Tighten all bolts with Allen Key (D).
7. Place the table upright, adjust the level up and down to level the table. Your table is now ready for use.

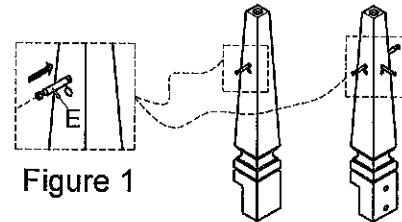


Figure 1

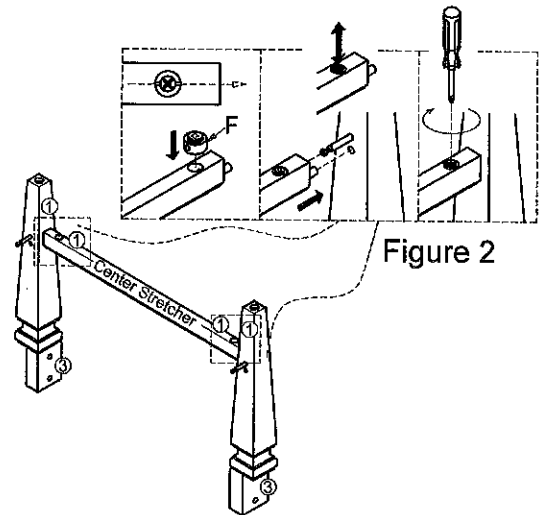


Figure 2

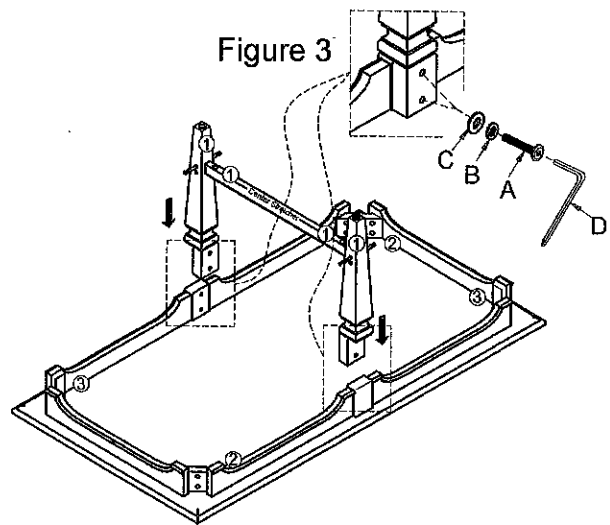








Figure 3

No.	Hardware List		Q'ty
A		Bolt Ø1/4 x 2"	12
B		Lock Washer Ø1/4"	12
C		Flat Washer Ø1/4"*Ø3/4	12
D		Allen Key (100*50*4mm)	1
E		Cam Bolt (2")	10
F		Cam Lock Nut (Ø5/8")	10

ASSEMBLY INSTRUCTIONS

TOOLS REQUIRED:

Allen Key (supplied, Part #D)
Screwdriver (Not Provided)

BEFORE YOU START:

1. Check the hardware against the hardware list to make sure all items are present.
2. Assemble your furniture on a soft, flat surface to avoid scratching the finish.
3. **CAUTION:** Do not over tighten screws, nuts or bolts during assembly.
4. Your furniture may require occasional tightening.

INSTRUCTIONS:

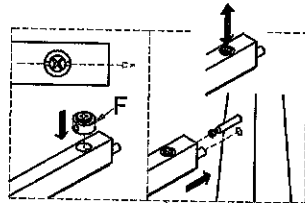


Figure 4

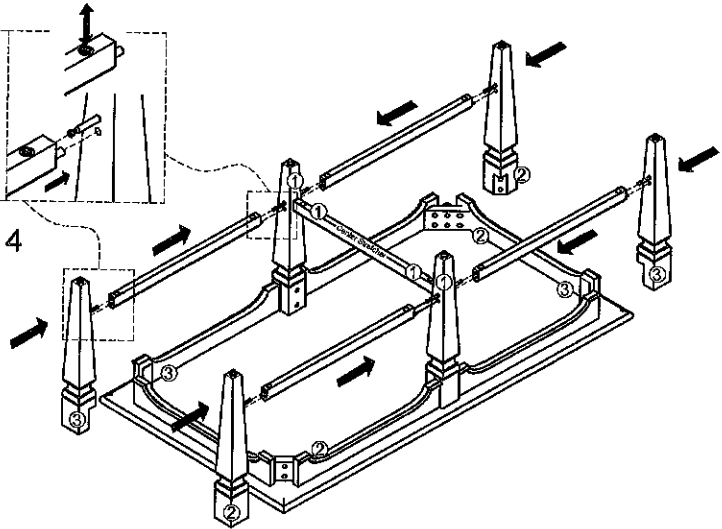


Figure 6

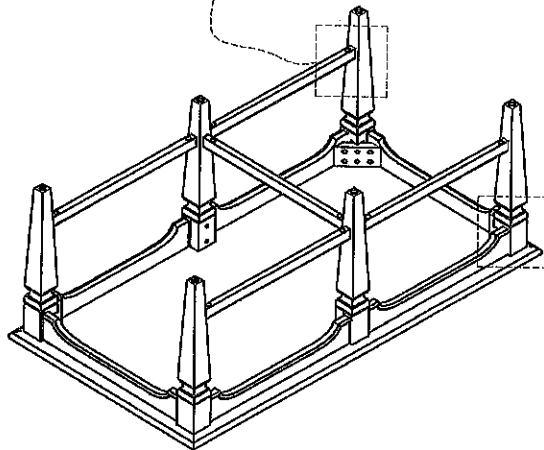
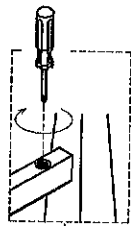
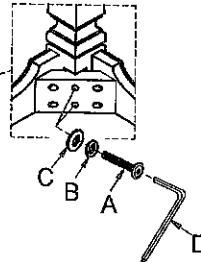


Figure 5



ASSEMBLY INSTRUCTIONS



828-728-3261
www.Hammary.com

TOOLS REQUIRED:

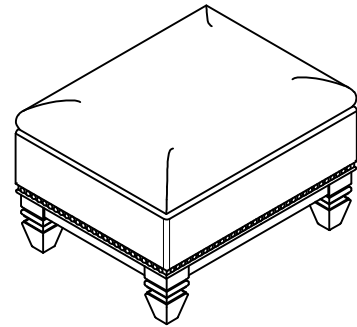
Allen Key (supplied, Part # D)

BEFORE YOU START:

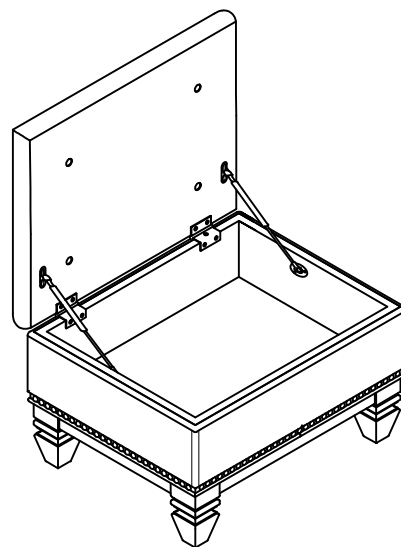
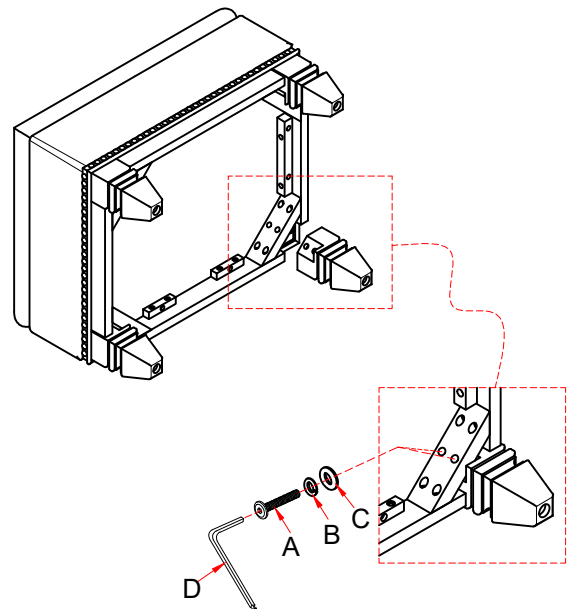
1. Check the hardware against the hardware list to make sure all items are present.
2. Assemble your furniture on a soft, flat surface to avoid scratching the finish.
3. **CAUTION:** Do not over tighten screws, nuts or bolts during assembly.
4. Your furniture may require occasional tightening.

INSTRUCTIONS:

1. Turn Ottoman on to a clean, soft surface. Attach legs on the Ottoman by using Flat washer (C), Lock Washer (B), Bolt (A) with Allen Key (D) .(See Figure 1). Tighten all bolts with Allen Key (D).
2. Place the Ottoman upright, adjust the level up and down to level the Ottoman. Your Ottoman is now ready for use.



373 - 796









H A M M A R Y®

STYLE | VALUE | SERVICE

A Division of La-Z-Boy Incorporated

ASSEMBLY INSTRUCTIONS



No.	Hardware List		Q'ty
A		Bolt Ø1/4 x 2"	8
B		Lock Washer Ø1/4"	8
C		Flat Washer Ø1/4"*Ø3/4	8
D		Allen Key (100*50*4mm)	1