

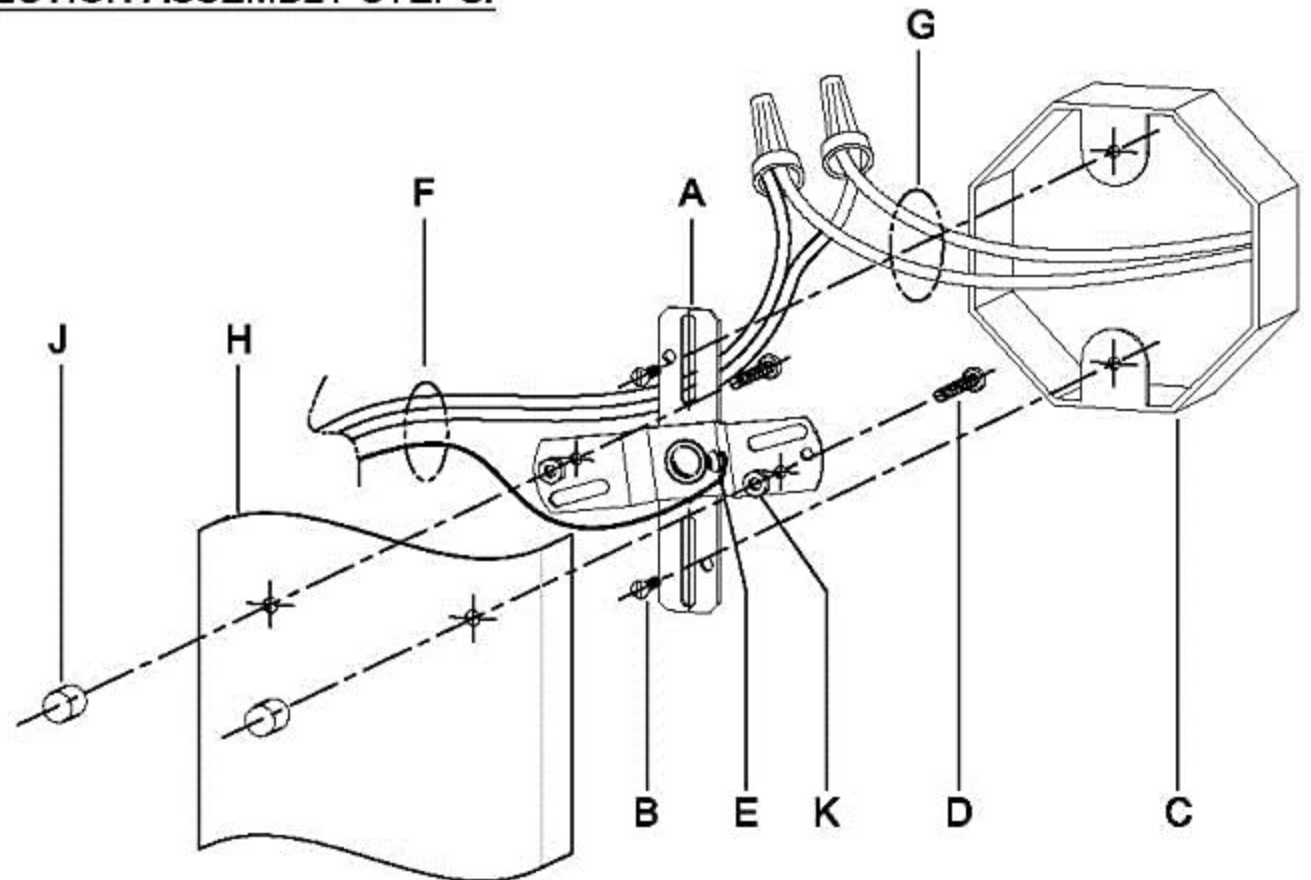
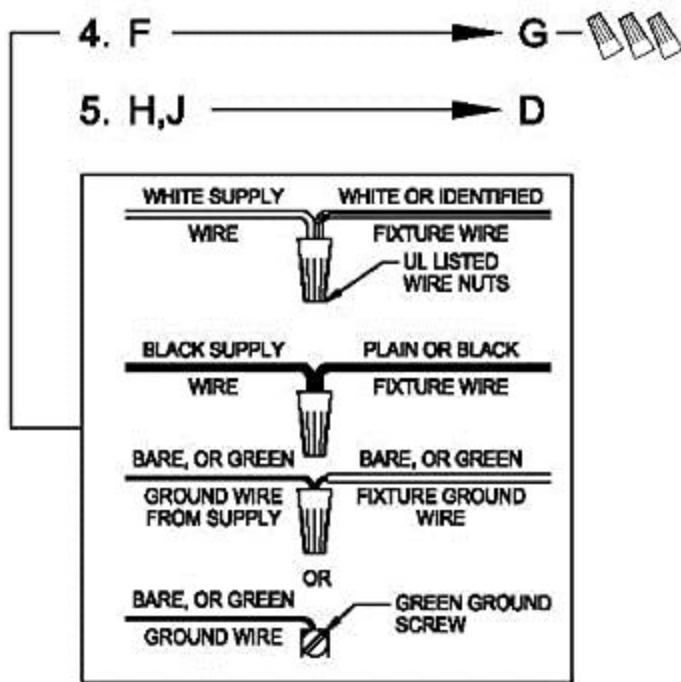
# Assembly & Installation Instructions

**CAUTION:** Read instructions carefully and turn electricity off at main circuit breaker panel before beginning installation.

## 1-Wall Lighting

### CANOPY MOUNTING & WIRE CONNECTION ASSEMBLY STEPS:

1. D,E → A
2. K → D
3. B,A → C
4. F → G
5. H,J → D



### FIXTURE ASSEMBLY STEPS:

Install the **G9** bulb after attaching the chassis to the wall



The glass is rotated and screwed on the lamp head. The lamp arm is fixed on the chassis and screwed on by nuts. The black line is the positive pole, and the white line is the negative pole