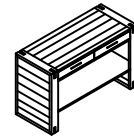


ASSEMBLY INSTRUCTIONS



989-925

TOOLS REQUIRED:

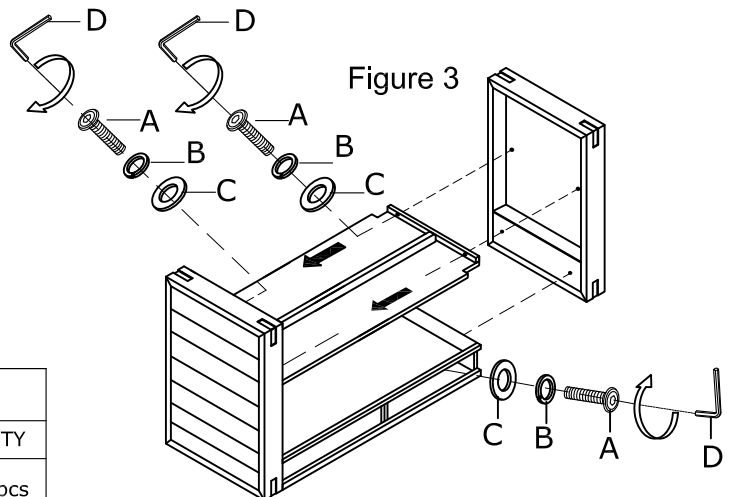
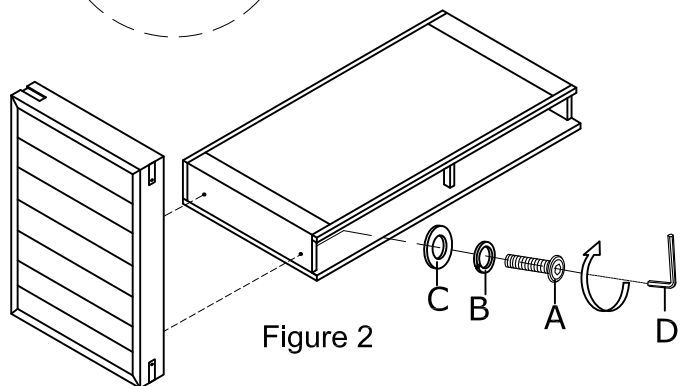
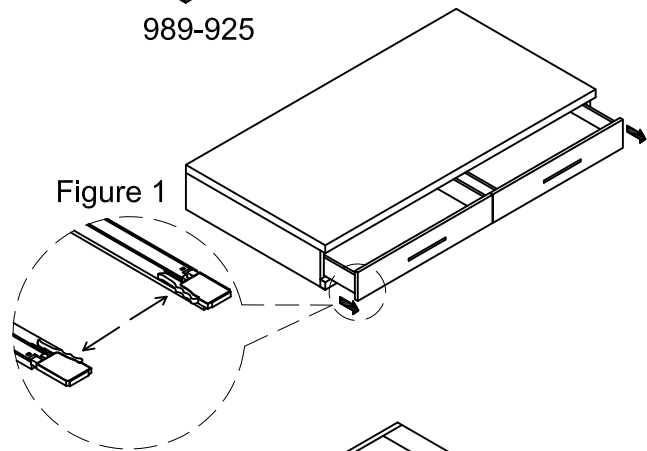
Allen Wrench (supplied, Part # D)

BEFORE YOU START:

1. Check the hardware against the hardware list to make sure all items are present.
2. Assemble your furniture on a soft, flat surface to avoid scratching the finish.
3. **CAUTION:** Do not over tighten screws, nuts or bolts during assembly.
4. Your furniture may require occasional tightening.

INSTRUCTIONS:

1. Remove the drawer by fully extending it to expose the lever in the track. Release by pushing on lever (levers on the bottom of the drawer). As shown in Figure 1.
2. Turn the top upside down on a clean soft surface and attach the leg to the table top using Flat Washer (C), Lock Washer (B) and Bolt (A), tighten with the Allen Wrench (D). As Shown in Figure 2. (Do not over tighten bolts during assembly.)
3. Attach the shelf to the leg, coeval attach the other leg to the shelf and the table top using Flat Washer (C), Lock Washer (B) and Bolt (A), tighten with the Allen Wrench (D). As Shown in Figure 3. (Do not over tighten bolts during assembly.)
4. Tighten all bolts before setting table back upright.



HARDWARE LIST			
NO.	Drawing	Description	Q'TY
A		Allen Bolt (Ø5/16 "x1-1/2")	8pcs
B		Flat Washer (Ø5/16 "x19x2mm)	8pcs
C		Lock Washer (Ø5/16 "x13mm)	8pcs
D		4mm Allen Wrench	1pc