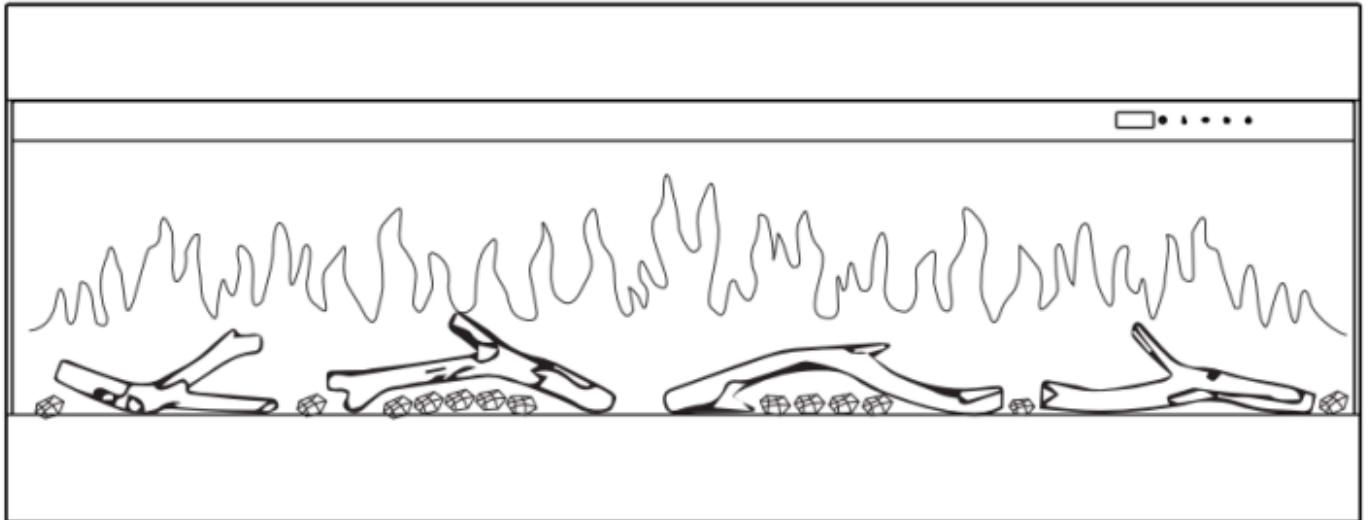


ELECTRIC FIREPLACE

HOMEOWNERS OPERATING MANUAL

Figure (the specific object shall prevail)



CONSUMER SAFETY INFORMATION:

Please read this manual before installing and operating this appliance. Failure to follow these instructions may result in electric shock, fire hazard or injury and will void the warranty.

WARNING: ⚠

If the information in this manual is not followed, electrical shock or fire may result in property damage, personal injury, or loss of life.

This instruction manual contains important safety information. Please read and save it for future reference.

IMPORTANT INSTRUCTIONS:

When using electrical appliances, basic precautions should always be followed to reduce the risk of fire, electrical shock, and/or injury including the following:

1. Read all instructions before using this heater.
2. This heater is hot when in use. To avoid burns, do not let bare skin touch hot surfaces. If provided, use handles when moving this heater.

DANGER: High temperature may be generated under certain abnormal conditions. Do not partially or fully cover or obstruct the front of the heater.

WARNING: In order to avoid overheating, do not cover the heater. It cannot be used in a closet.

3. CAUTION: The appliance should not be used by children or persons with reduced physical, sensory or mental capabilities.

4. Children should be advised not to play with the appliance.

5. Always unplug this appliance when not in use.
6. Do not operate any heater with a damaged cord or plug or after the appliance malfunctions, or if it has been dropped or damaged in any manner.
7. If the supply cord is damaged, it must be replaced by the manufacturer, its service agent or similarly qualified persons in order to avoid a hazard.
8. Any repairs to this fireplace should be carried out by a qualified service person.
9. Under no circumstances should this fireplace be modified. Parts having to be removed for servicing must be replaced prior to operating this fireplace again.
10. Do not use outdoors.
11. This heater is not intended for use in bathrooms, laundry areas and similar indoor locations. Never locate this appliance where it may fall into a bathtub or other water container.
12. Do not run cord under carpeting. Do not cover cord with throw rugs, runners or the like. Arrange cord away from traffic areas and where it will not be tripped over.
13. To disconnect this appliance, turn controls to the off position, then remove plug from outlet.
14. Connect to properly grounded outlet only.
15. This appliance, when installed, must be electrically grounded in accordance with local codes or, in the absence of local codes, with the current CSA C22.1 Canadian Electrical Code or for USA installations, follow local codes and the National Electrical Code, ANSI/NFPA NO.70.
16. There is a protective thermostat limiter inside the heater. When the inner temperature overheat, the thermostat limiter will shut off the power supply to avoid the risk of fire damage to the appliance.
17. The heaters must not be located immediately below a socket-outlet.
18. Do not insert or allow foreign objects to enter any ventilation or exhaust opening as this may cause an electric shock or fire, or damage the appliance.
19. To prevent a possible fire, do not block air intake or exhaust in any manner. Do not use on soft surfaces, like beds, where openings may become blocked.
20. This appliance has hot and arcing or sparking parts inside. Do not use where gasoline, paint, or flammable liquids are used or stored. This fireplace should not be used as a drying rack for clothing. Christmas stockings or decorations should not be hung in area of it.
21. Use this appliance only as described in the manual. Any other use not recommended by the manufacturer may cause fire, electric shock or injury to persons.
22. Always plug heaters directly into a wall outlet/receptacle. Never use with an extension cord or relocatable power tap (outlet/power strip).

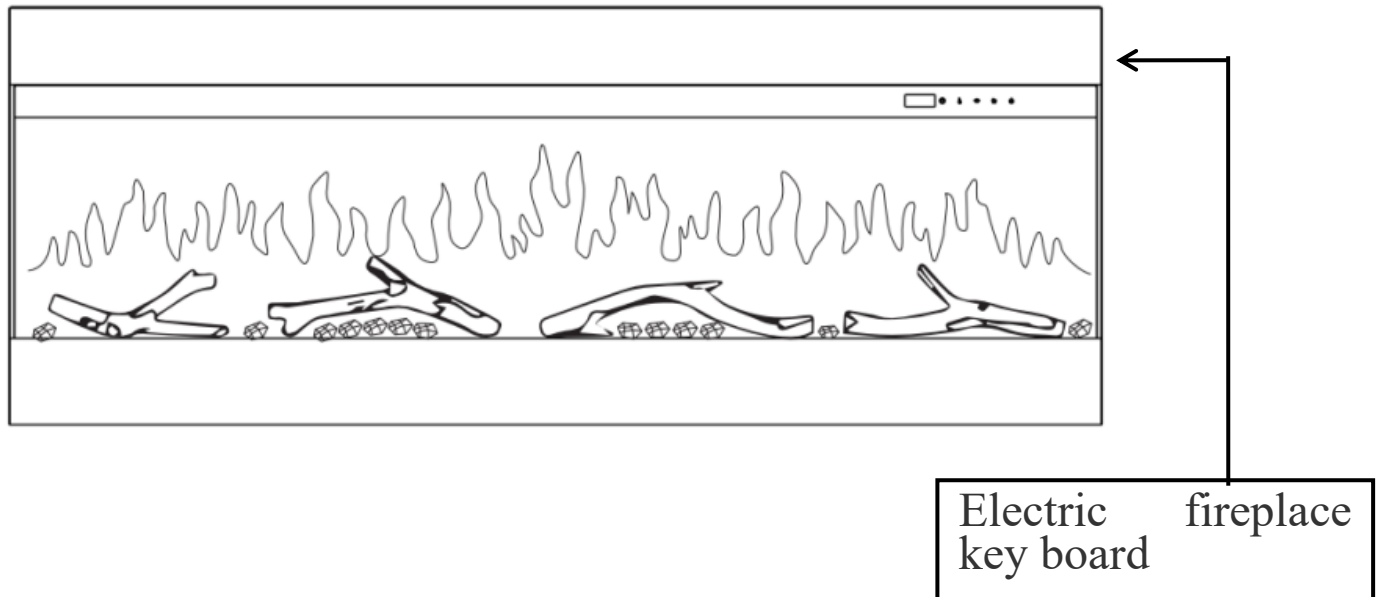
HERE ARE TWO WAYS TO OPERATE THE ELECTRIC FIREPLACE:

* **Keyboard operation of electric fireplace.**

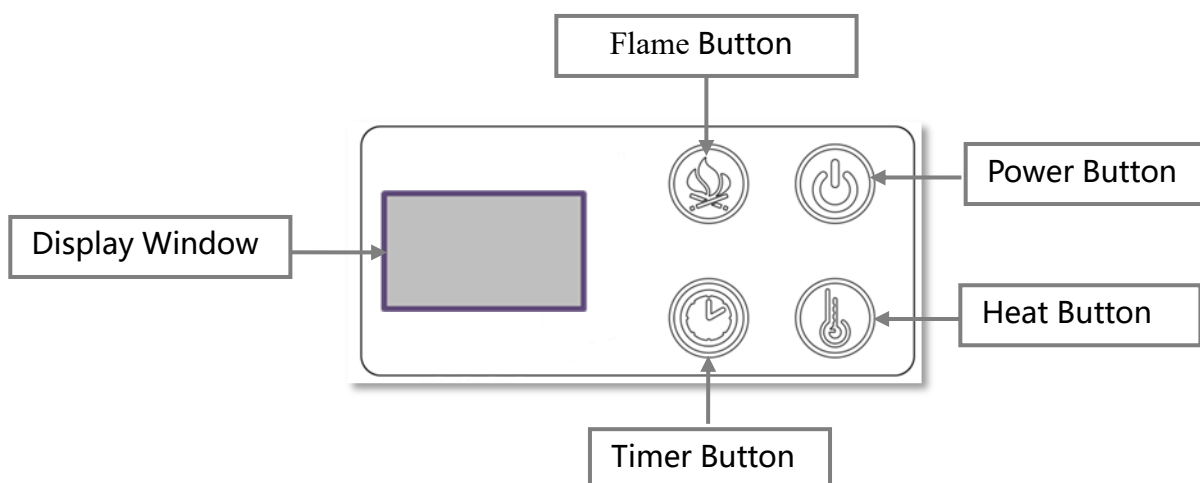
* **Remote control operation.**






The keypad is on the upper right of the electric fireplace. (See Figure 1)

Figure 1

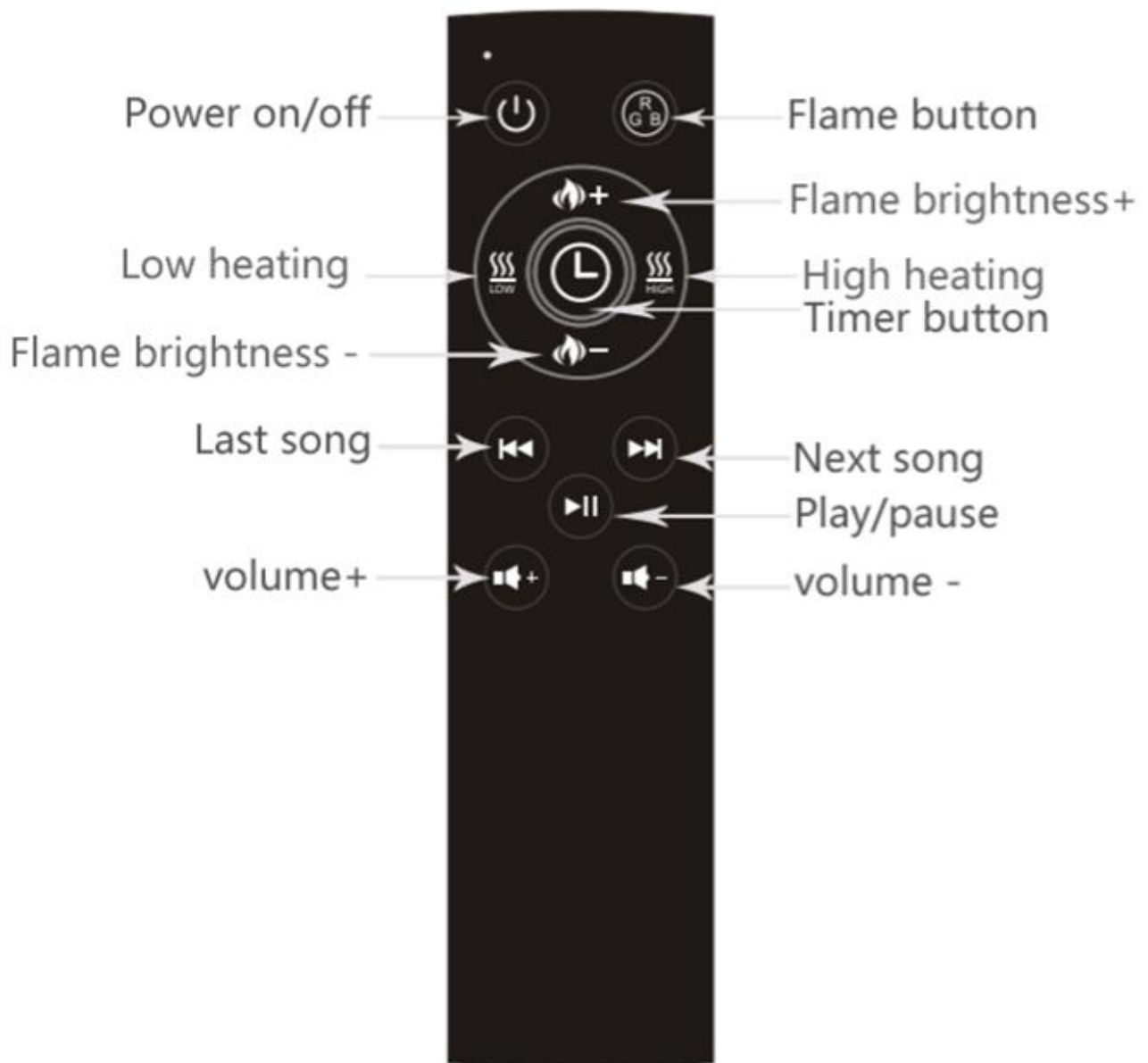


***Keyboard operation of the electric fireplace.**



BUTTON	Function
 Power	Power on/off Button: Short press to turn the fireplace on or off.
 Flame	13-color flame can be switched freely; Switch a flame color every time you press it.
 Heater	<p>Heating Button:</p> <ol style="list-style-type: none"> Short press the heating button to turn on the heating function. The indicator light next to the heating button will turn red, and the display will show "ON". Press the heating button again to turn off the heating function, and the display will show "OFF". In the heating on state, long press the heating button for 2 seconds. The display will show "37", and then you can begin setting the temperature. The temperature can be set from 37-35-32-29-27-24-21-18-16-ON (10 levels of temperature setting), in a continuous loop. <ol style="list-style-type: none"> When the display shows "ON", the heating is not affected by the room temperature, and the heater will continue to work without automatically stopping. When any of the temperatures 37-35-32-29-27-24-21-18-16 is displayed. The heater will stop working, if the room temperature is greater than or equal to the displayed temperature.
 Timer	<p>Timer Button:</p> <p>Short press the timer button to activate the timer function. The digital display will show "0H". Press the timer button again to set the timer. The setting range is from 1 hour to 9 hours, and the indicator light next to the timer button will turn red to indicate that the timer function is in progress.</p>
 Display Window	<p>Digital Display: Displays the corresponding function.</p>

Remote control operation:



Technical Specification

Product name: Electric fireplace

Supply: 220V AC 60Hz (Suitable for European/British/German standard)

Flame power: 15W/m Heating power: 1500W

Bluetooth: Start the fireplace power supply, and the Bluetooth function is automatically

turned on, Turn on the Bluetooth of the mobile phone, search RS01 for pairing connection, and you can play music through the mobile phone after the connection is completed.

MAINTENANCE:

Clean the metal trim using a water-dampened soft, clean cloth. DO NOT use brass polish or household cleaners as these products will damage the metal trim.

The motors used on the fan and the flame generator assembly are pre-lubricated for extended bearing life and require no further lubrication. However, periodic cleaning/vacuuming of the fan/heater and air intake/output vents is recommended.

The heater should be cleaned and inspected regularly, depending on conditions, and at least at yearly intervals.

WARNING: Any electrical repairs of this unit should be carried out by a licensed electrician in accordance with national and local codes.

WARNING: Disconnect power by unplugging the power and allowing the heater to cool before attempting any maintenance or cleaning to reduce the risk of fire, electric shock, or injury.

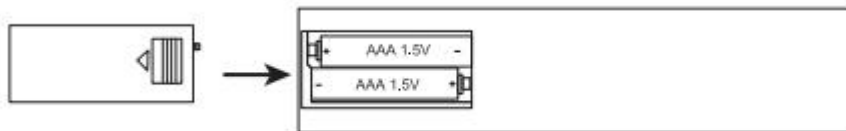
NOTE: When the heater is not in use, the heater should be stored in a dry location, away from possible damage. The power cord should be stored properly to avoid contact with hot or sharp objects.

REMOTE CONTROL:

The battery compartment is located on the back end of the remote control.

1. Press and slide the battery cover open.
2. Insert two 1.5V (AAA) batteries (included) ensuring they are installed correctly with regard to the polarities (+ and -) marked on the inside of the battery compartment.
3. Replace the battery cover.

NOTE: The battery should be removed if the product is to be left unused for a long time.



When replacing the batteries, replace both batteries at the same time with new batteries of the correct type.

- Do not mix old and new batteries.
- Do not mix alkaline, standard (Carbon-Zinc), or rechargeable (Nicad, Nimh, etc) batteries.

Maintenance instructions:

1. Please cut off the power supply and let it cool before cleaning;
2. Avoid bumping or scratching the electric fireplace to avoid rust caused by surface coating damage;
3. The surface can be cleaned with a wet towel and no detergent can be used;
4. It is strictly prohibited to infiltrate water and water droplets into the machine to avoid damaging internal components and causing short circuit to damage the machine.

Troubleshooting list	
Fault phenomenon	Exclusion method
Nixie tube displays "E1"	The NTC is open circuit or the plug-in sensor is not connected. Open the inspection port of the main board and plug in the sensor again or replace it
The nixie tube displays "E2"	Replace the sensor

6. Glass/Cystal/Simulation branch installation



Do not install the glass when testing. After turning on the power, press the manual control panel or the remote control to perform a functional test. If any defects are found, please contact the service team for assistance.

Please make the installation according to the embers which you bought or selected and the details as follow:

- 6.1. Carefully put the crystal stone from one side to the other, as Figure 1;
- 6.3. Install the silk screen glass, as Figure 3;
- 6.4. Final hint after installation, as Figure 4.



Figure 1(Crystal)



Figure 2(Log)

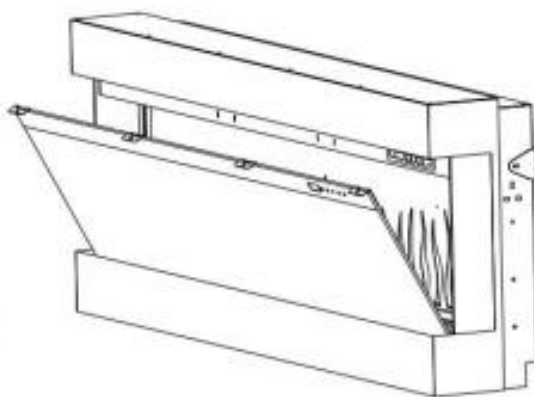


Figure 3

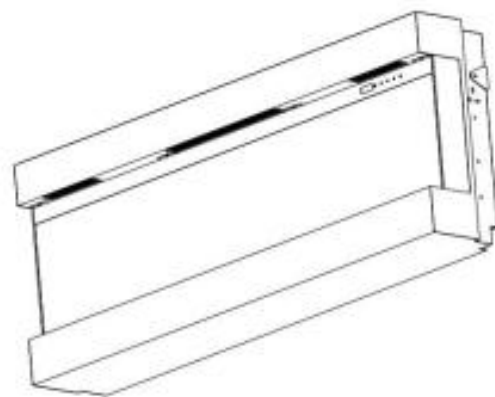


Figure 4