

Assembly Instruction

INTRODUCTION

Thank you for purchasing our products. Please read the instructions carefully before installation and keep it in a safe place for future reference. If you need any assistance or support, please feel free to contact our customer support team.

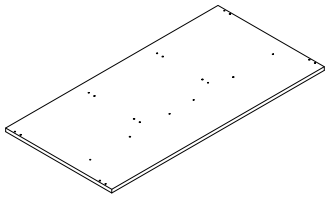
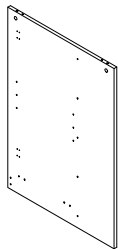
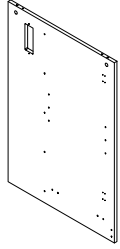

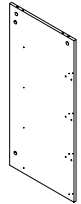
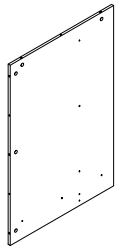
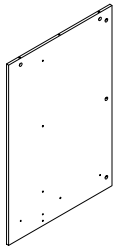
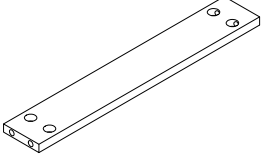
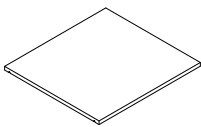
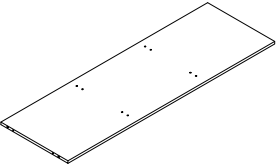
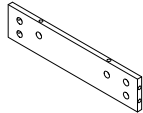
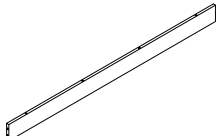
PRECAUTIONS

1. There are many components and accessories in the package. Each component and accessory is labeled with a letter or a number, check carefully before using any of them. Keep them away from children to prevent accidents.
2. Please install the product on a clean and soft underlay (such as carpet or cardboard) to avoid scratching or damaging the surface of the product.
3. The main components of the product is relatively heavy. Please pay attention to safety during installation.
4. The product is not stable during installation. Please do not move it randomly before it is completely installed.
5. If you have any questions during installation, please contact the customer service in time.

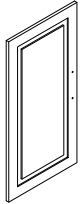
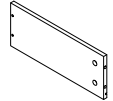
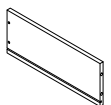
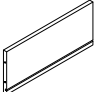
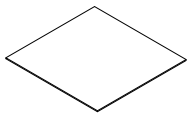
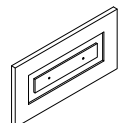
★ PLEASE BE SURE TO FOLLOW THE INSTALLATION STEPS IN THE MANUAL TO AVOID UNNECESSARY LOSSES CAUSED BY IMPROPER INSTALLATION.

★ IF YOU NEED FURTHER ASSISTANCE, PLEASE CONTACT THE CUSTOMER SERVICE ONLINE.



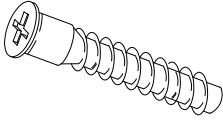
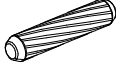
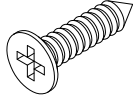
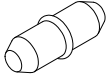

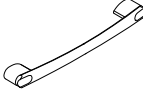

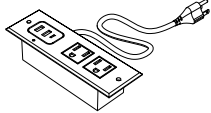
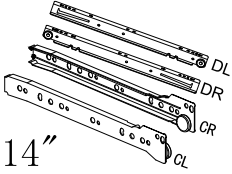

PARTS LIST : BOX-1/2

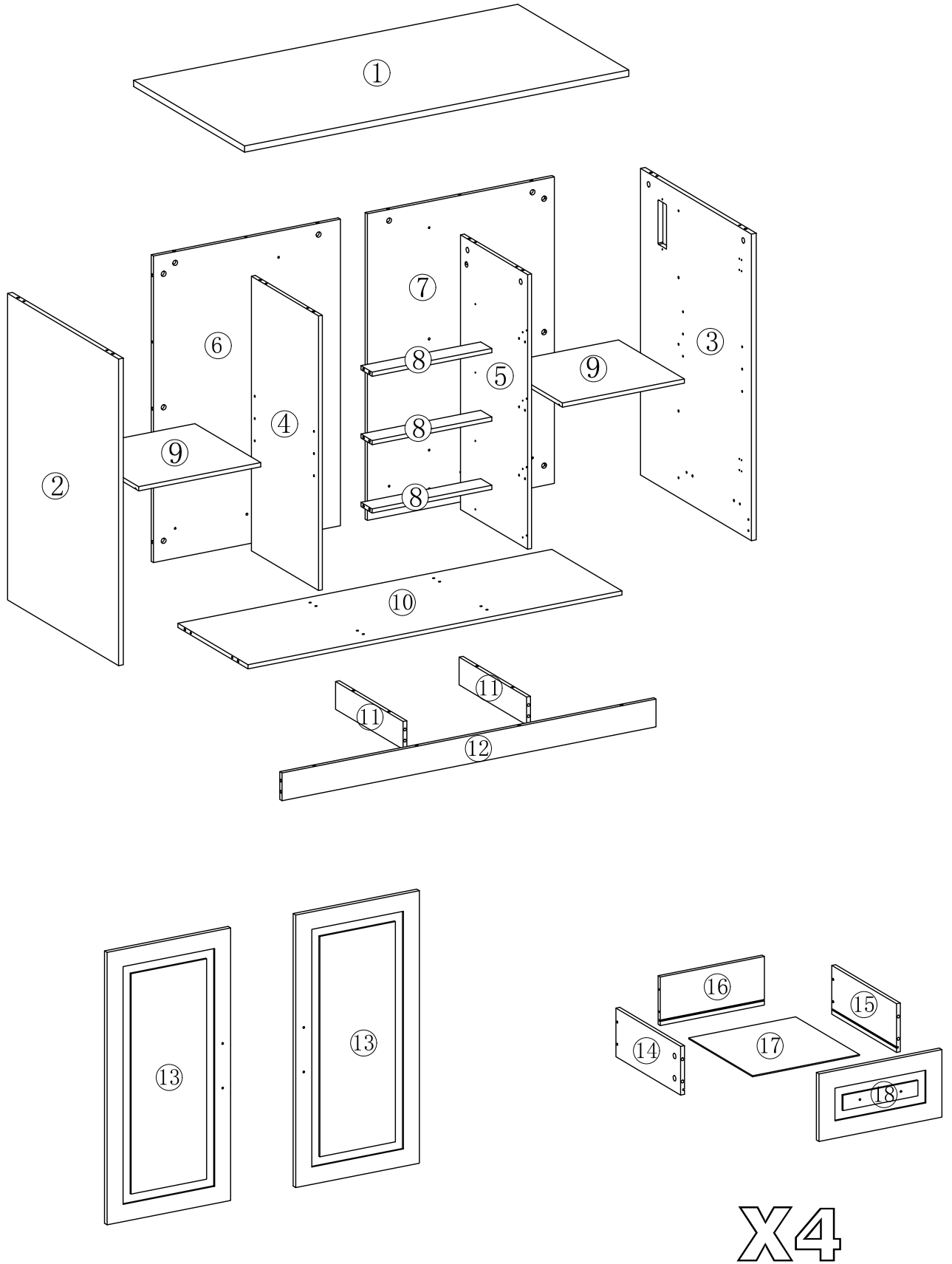
			
① 1Pc	② 1Pc	③ 1Pc	④ 1Pc
			
⑤ 1Pc	⑥ 1Pc	⑦ 1Pc	⑧ 3Pcs
			
⑨ 2Pcs	⑩ 1Pc	⑪ 2Pcs	⑫ 1Pc

PARTS LIST : BOX-2/2

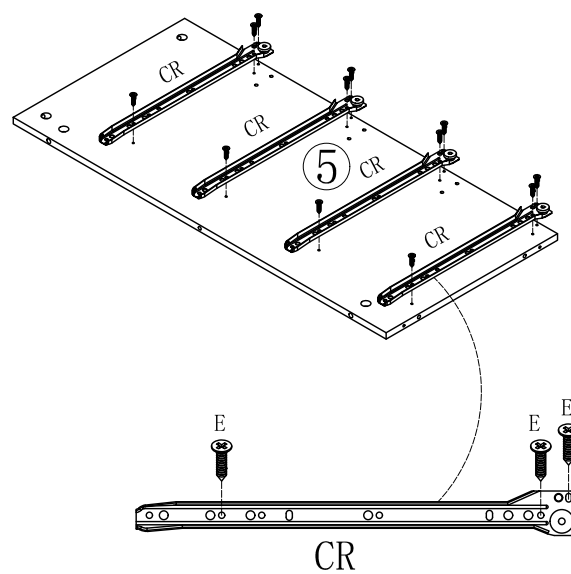
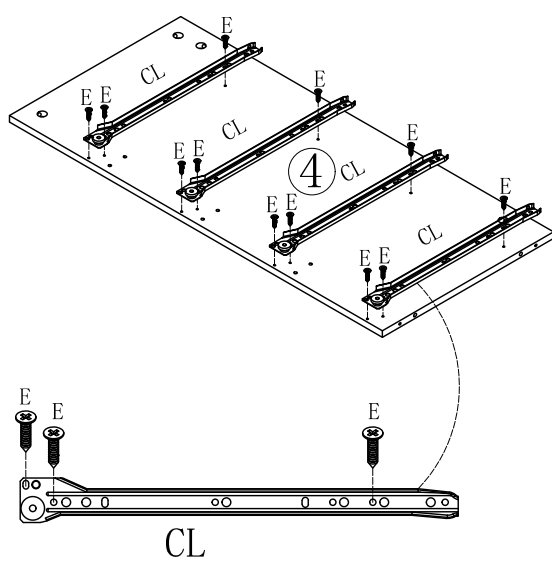
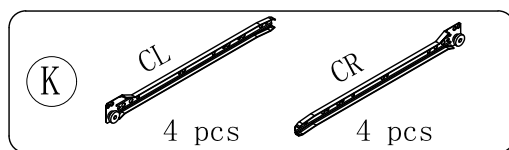
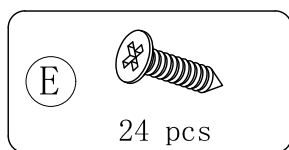
			
⑬ 2Pcs	⑭ 4Pcs	⑮ 4Pcs	⑯ 4Pcs
			
⑰ 4Pcs	⑱ 4Pcs		

HARDWARE LIST : (all hardwares in box-1/2)

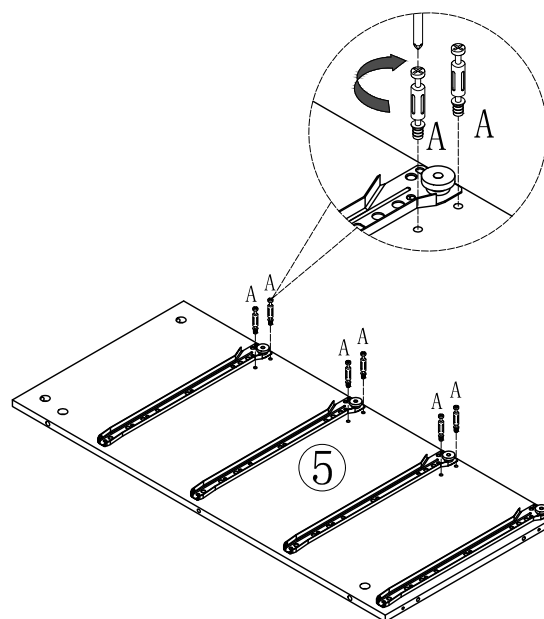
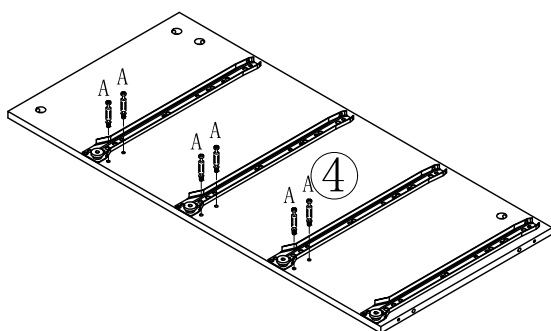
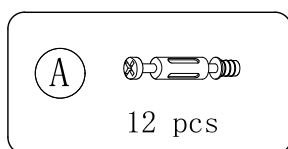
<p>Ⓐ x78 pcs</p> 	<p>Ⓑ x78 pcs</p> 	<p>Ⓒ x20 pcs</p> 	<p>Ⓓ x26 pcs</p>  <p>∅6*30</p>	<p>Ⓔ x74 pcs</p>  <p>M3.5*12</p>
<p>Ⓕ x8 pcs</p>  <p>∅5*17</p>	<p>Ⓖ x12 pcs</p>  <p>M4*16</p>	<p>Ⓗ x6 pcs</p> 	<p>Ⓘ x78 pcs</p> 	<p>Ⓙ x1 pc</p> 
<p>Ⓚ x4 pcs</p>  <p>14"</p>	<p>Ⓛ x4 pcs</p>  <p>M5*38</p>			




STEP 1



STEP 2

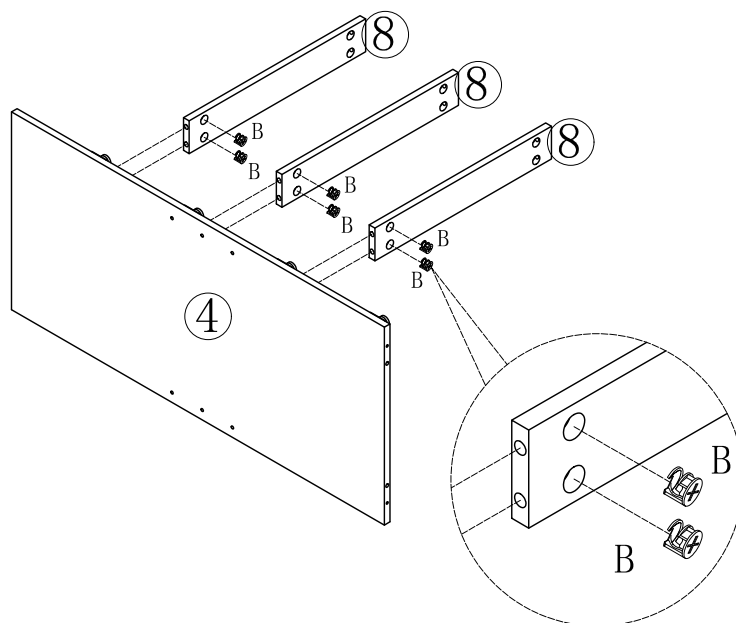


STEP 3


(B) 
6 pcs

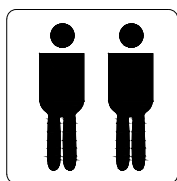


Double installation

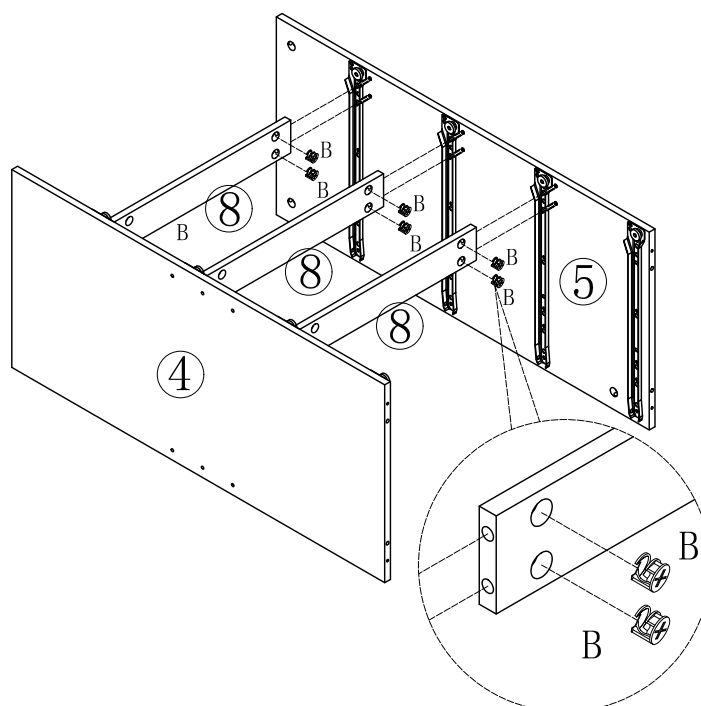


STEP 4


(B) 
6 pcs

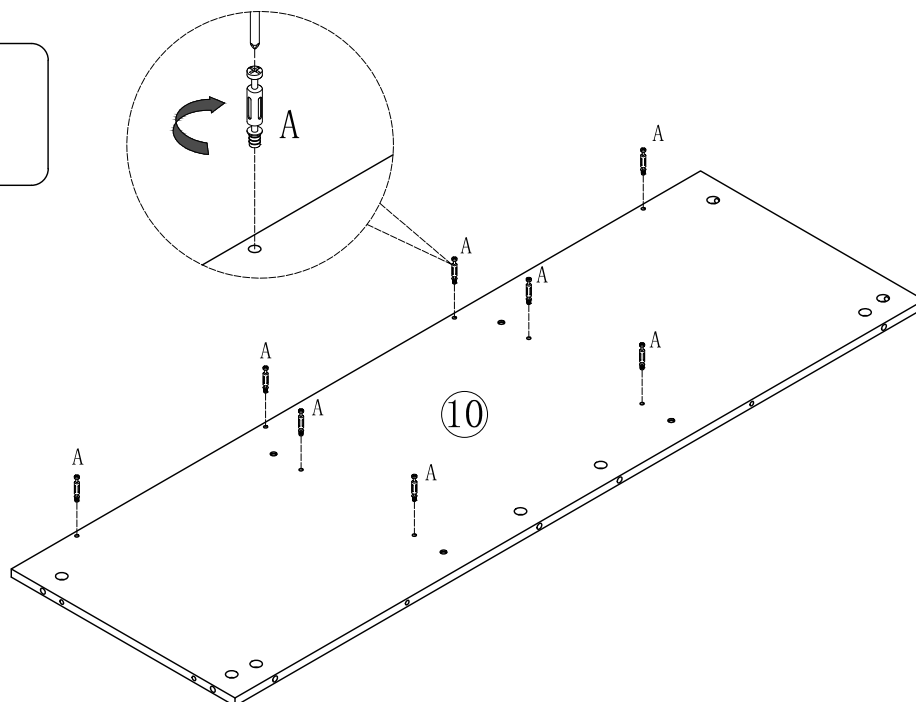


Double installation





STEP 5

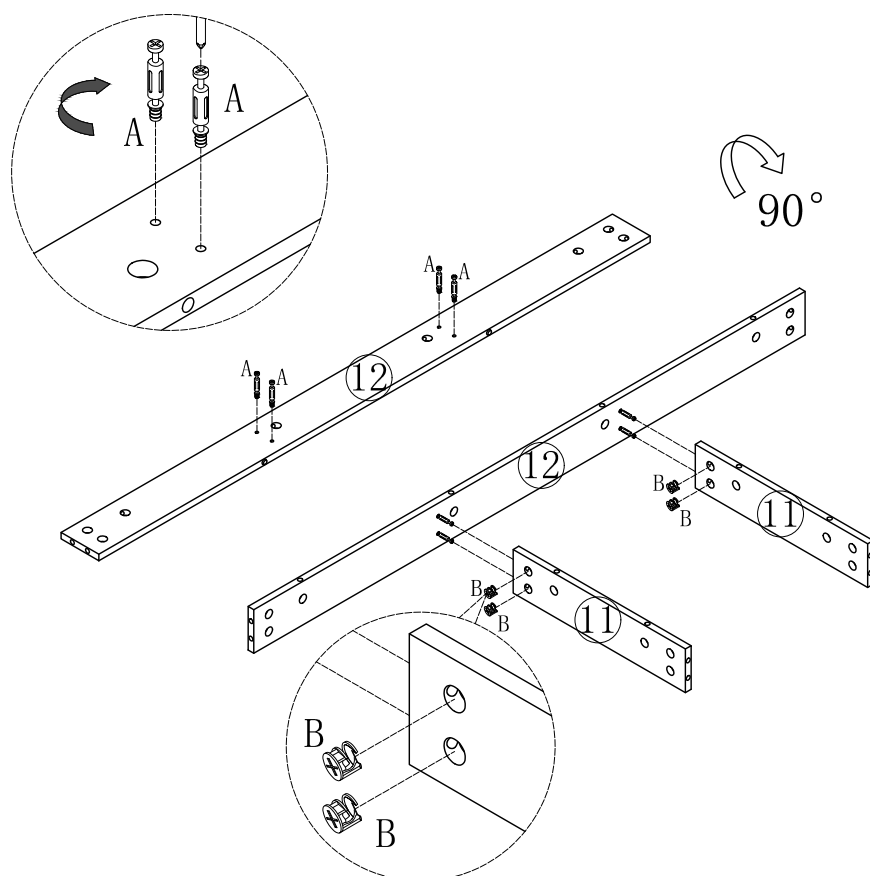
(A)  8 pcs



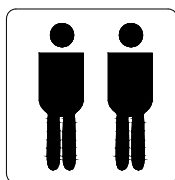
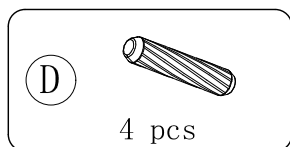
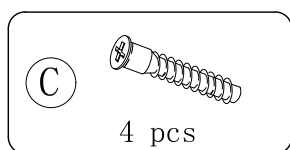
STEP 6

(A)  4 pcs

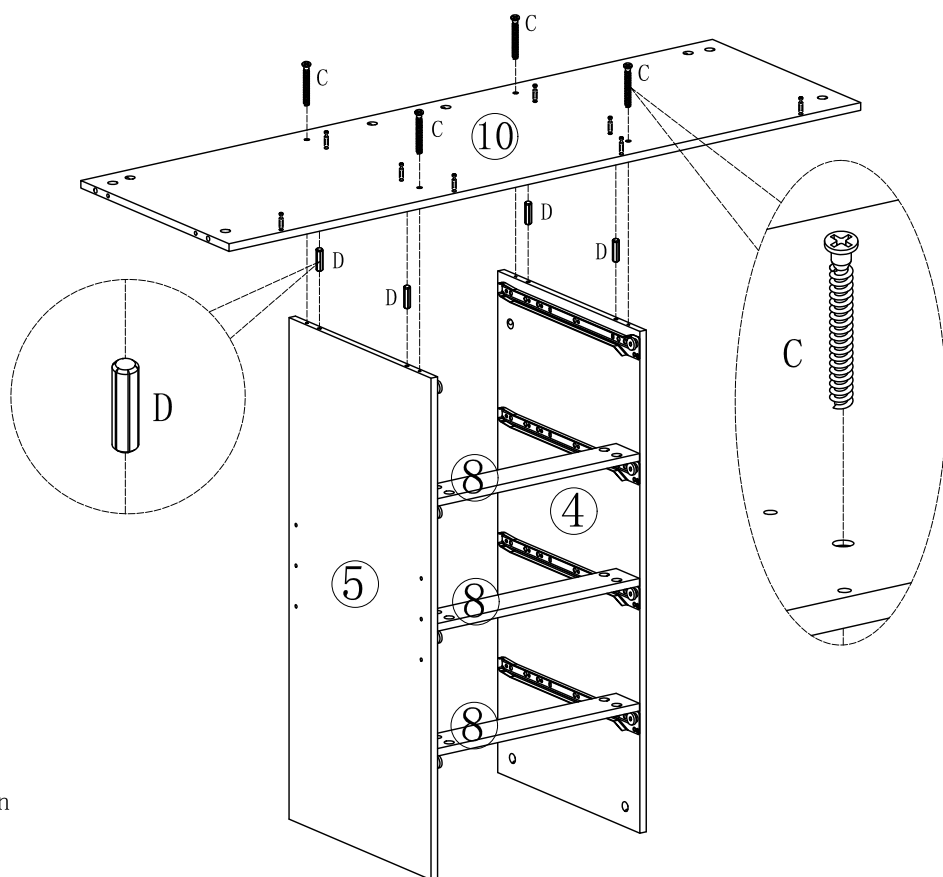
(B)  4 pcs



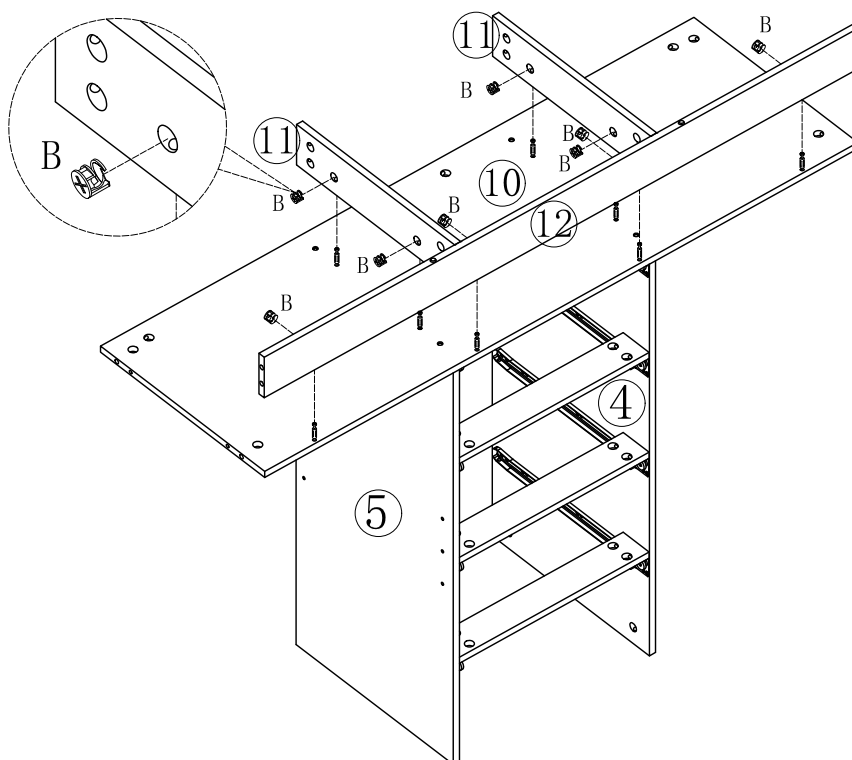
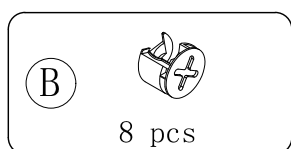
STEP 7




Double installation

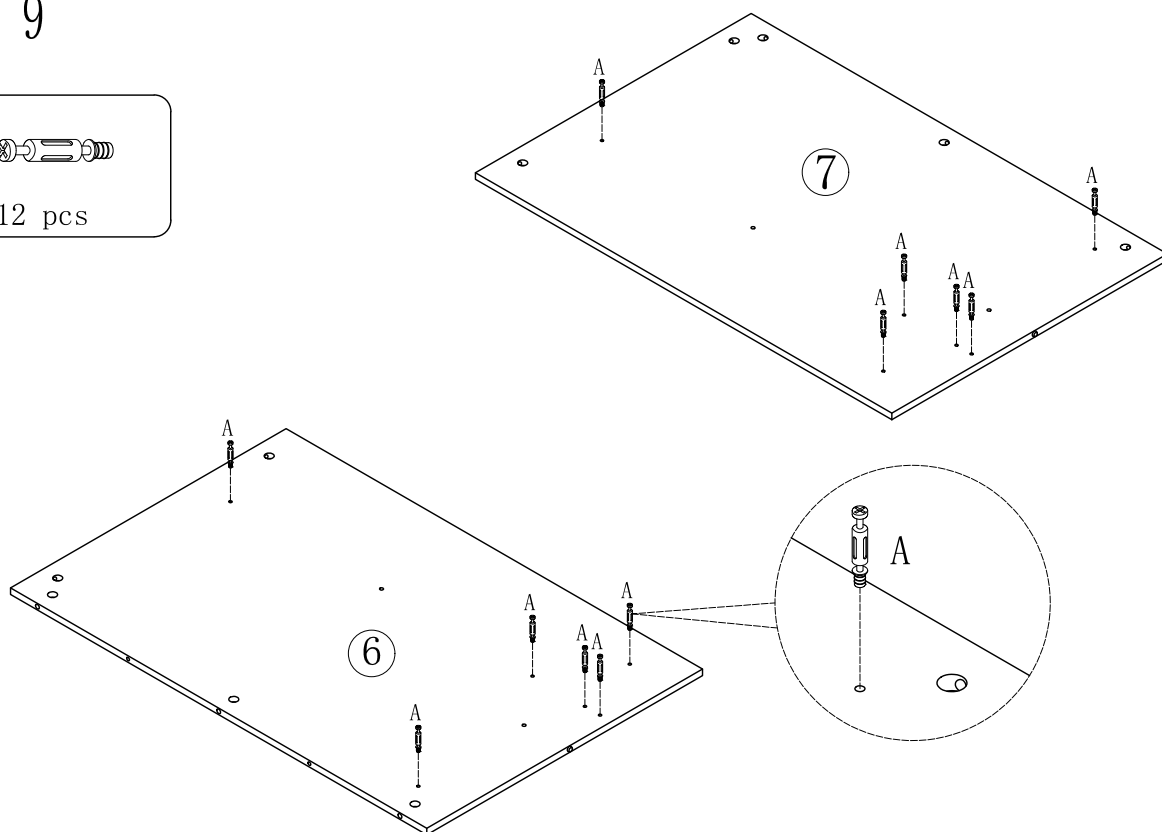


STEP 8

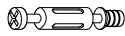


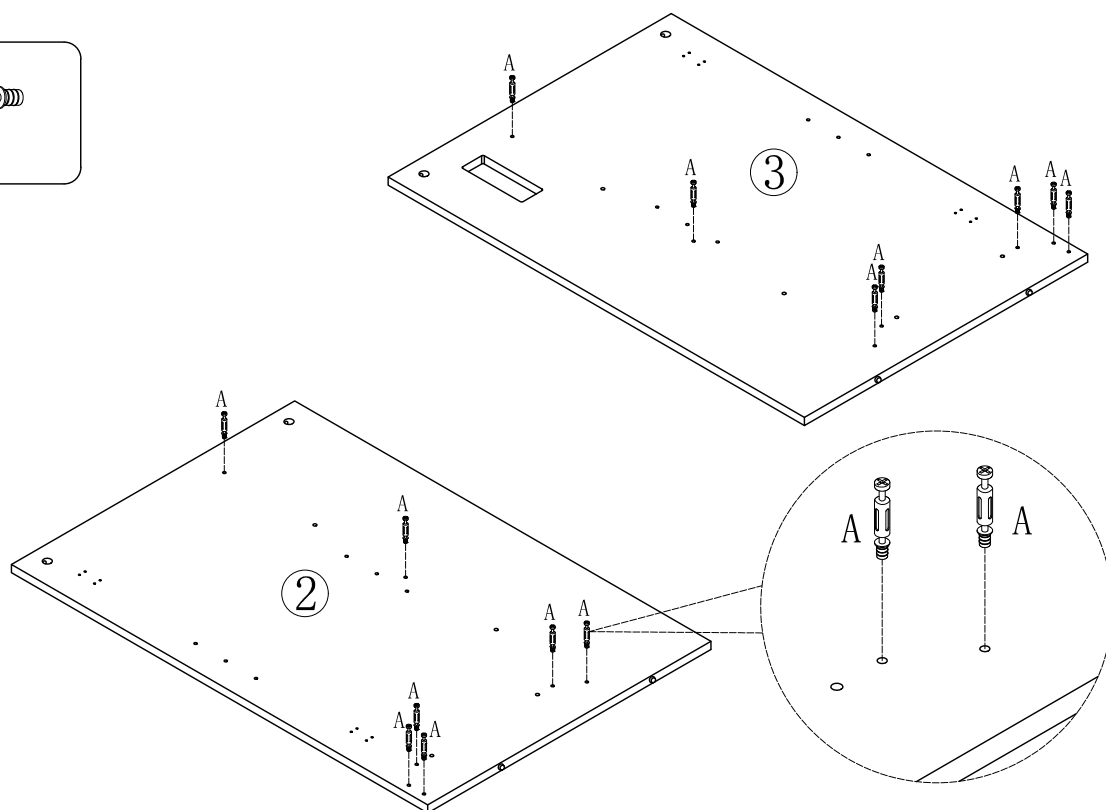
STEP 9

(A)  12 pcs

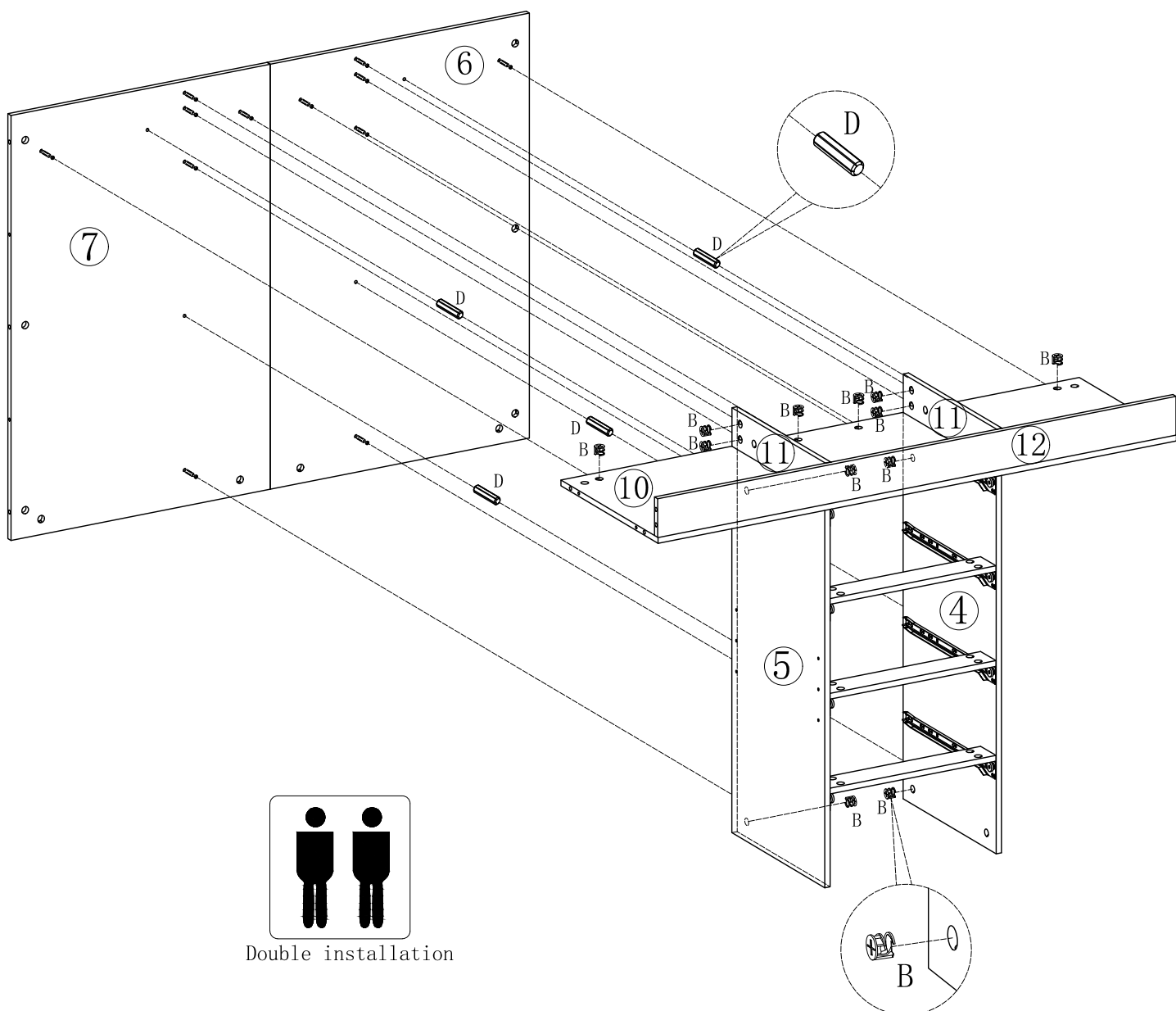
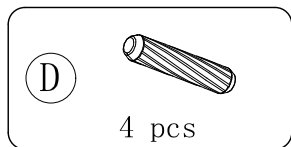
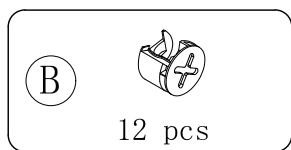


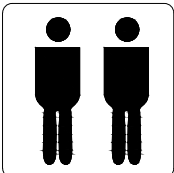
STEP 10

(A)  14 pcs

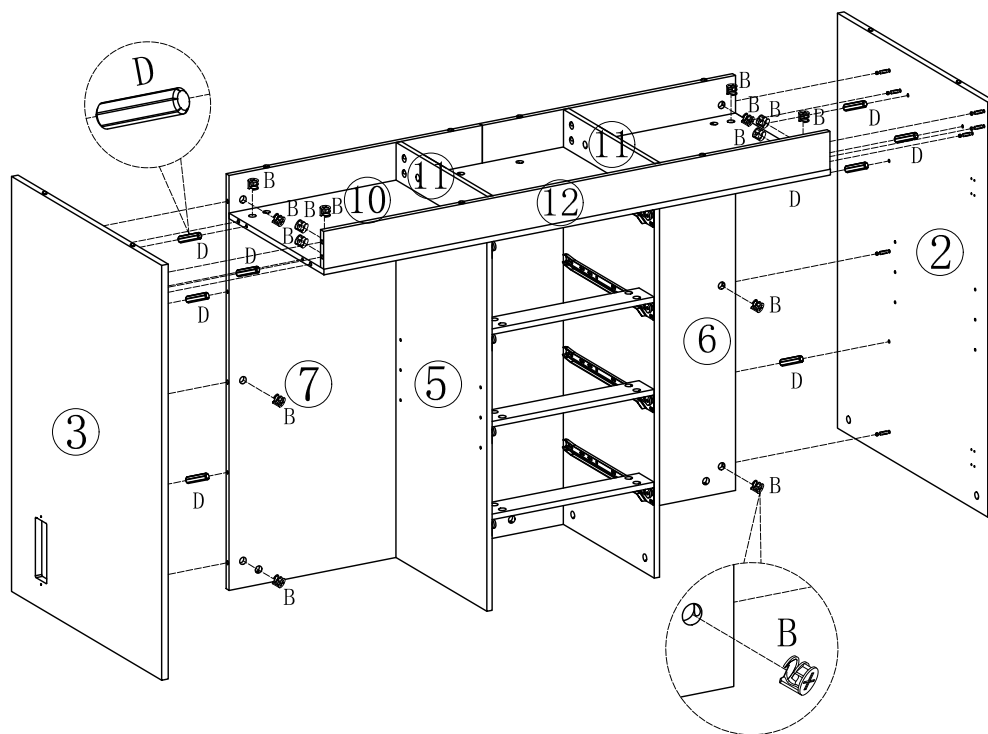
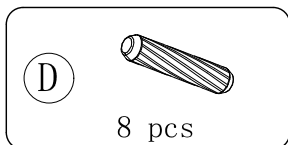
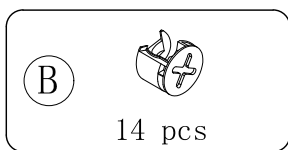


STEP 11

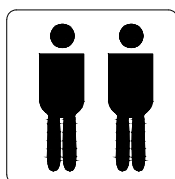
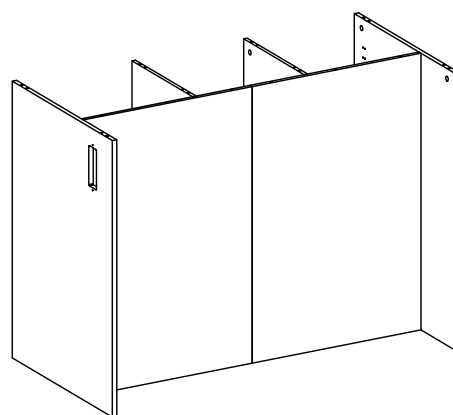
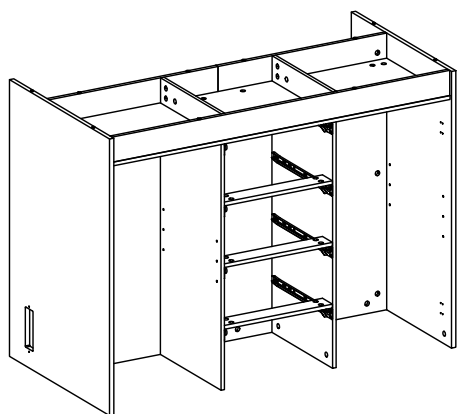



Double installation

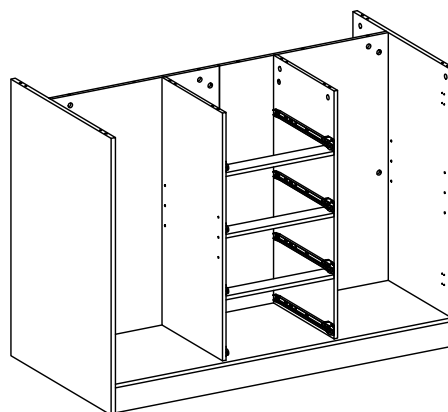
STEP 12




STEP 13



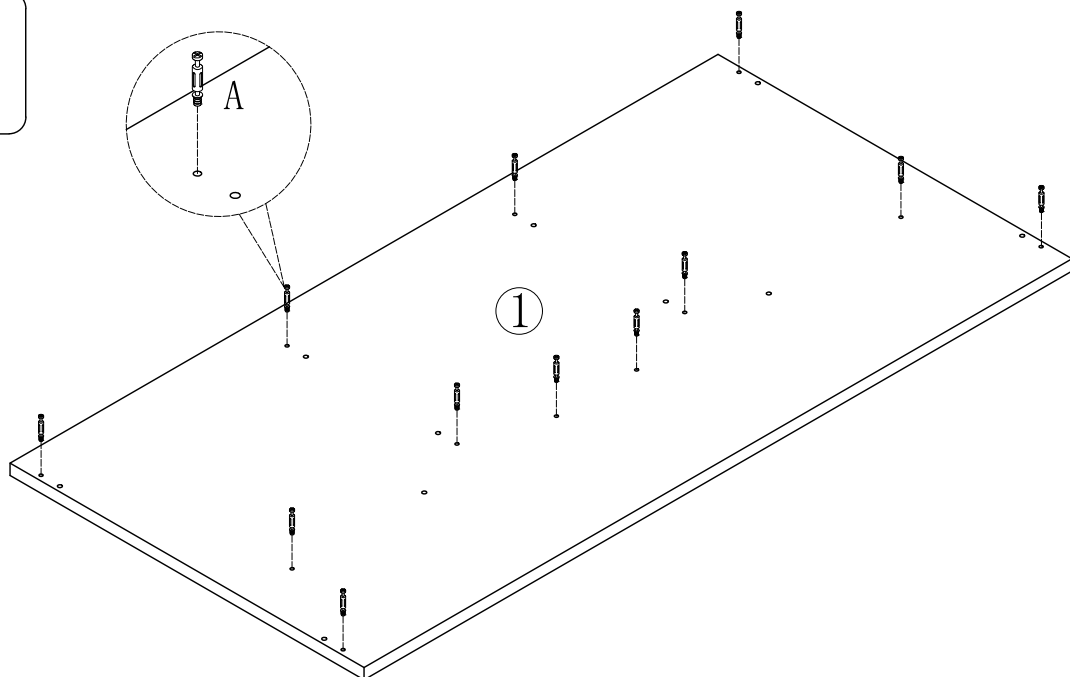
Double installation




STEP 14

A


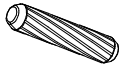
 12 pcs



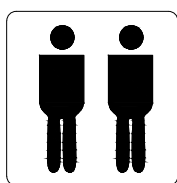
STEP 15

B


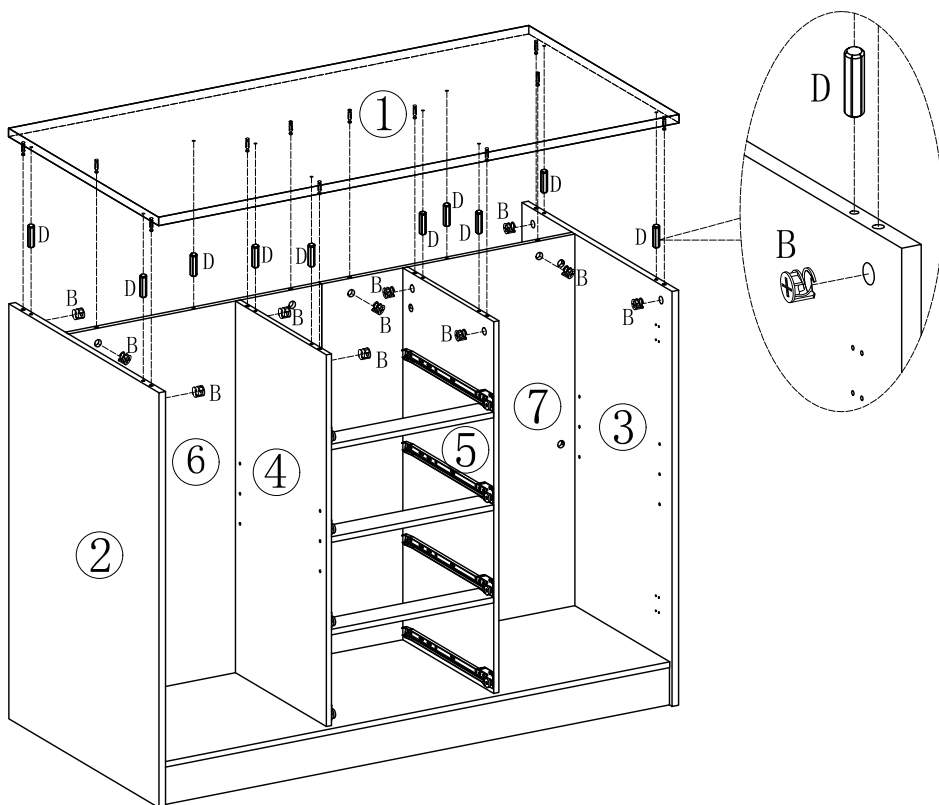
 12 pcs

D


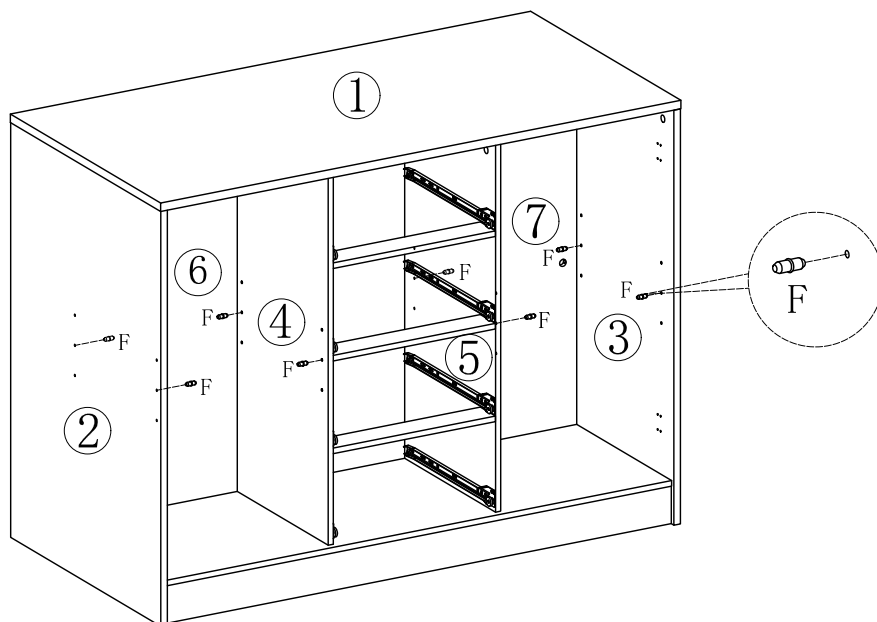
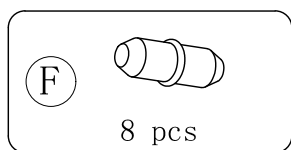
 10 pcs



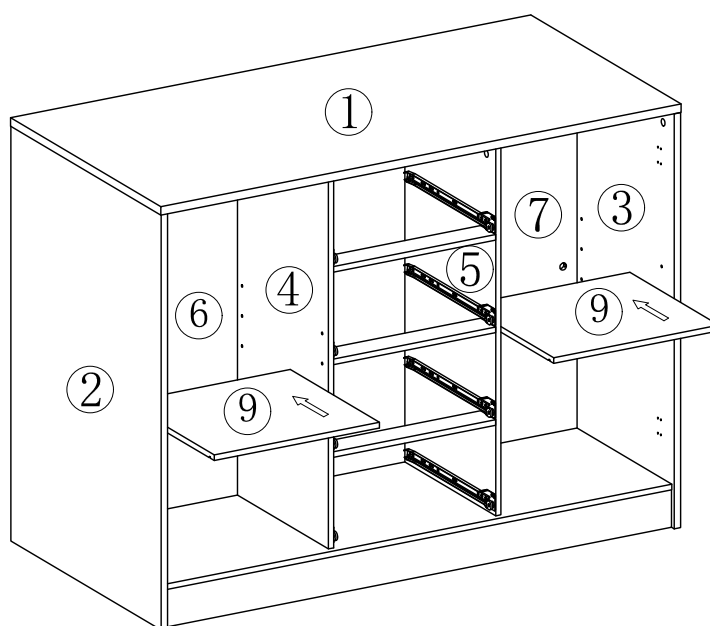
Double installation



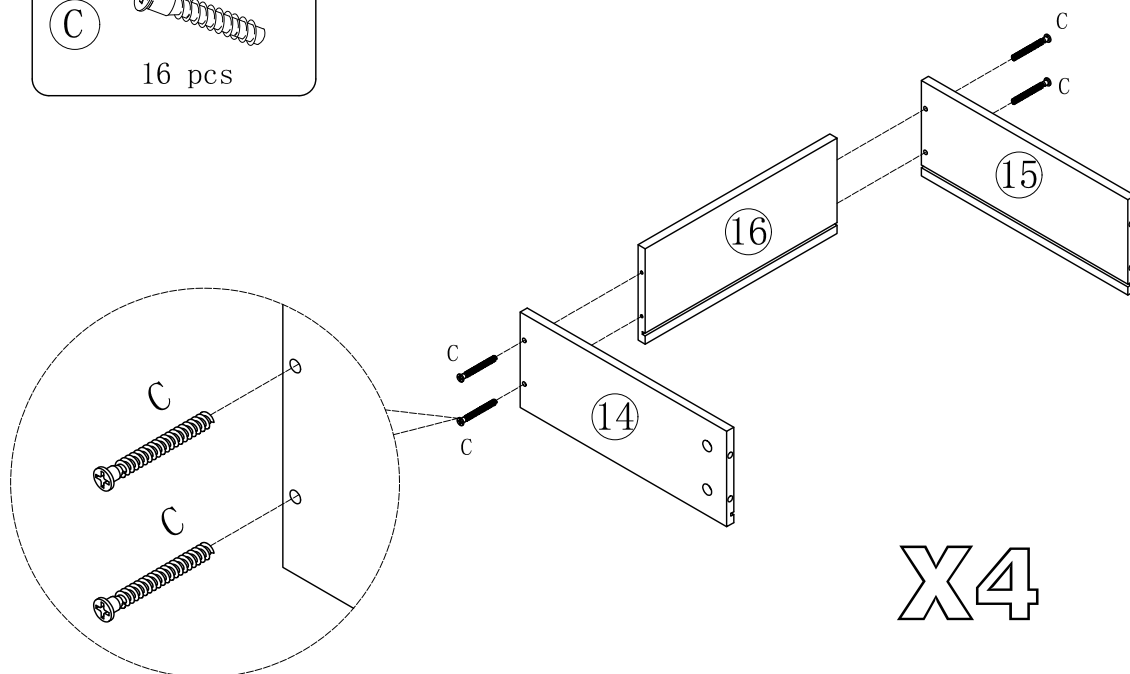
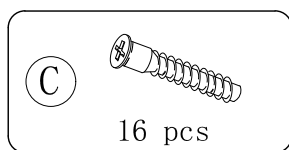
STEP 16



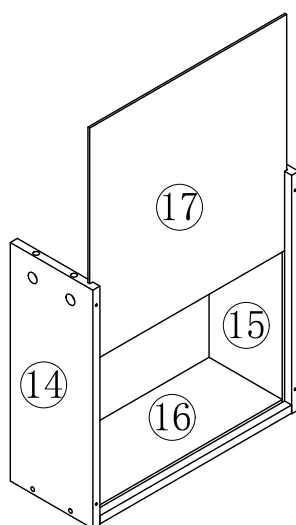
STEP 17



STEP 18

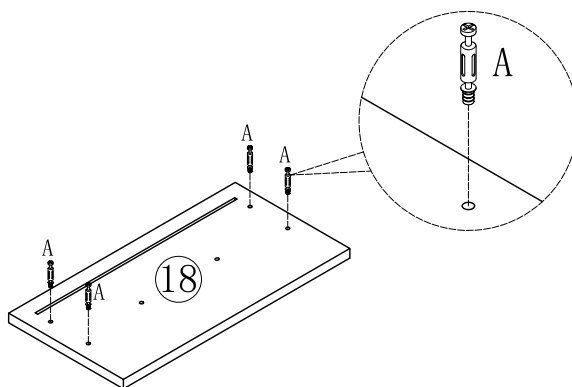
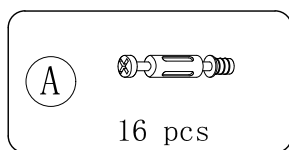


STEP 19



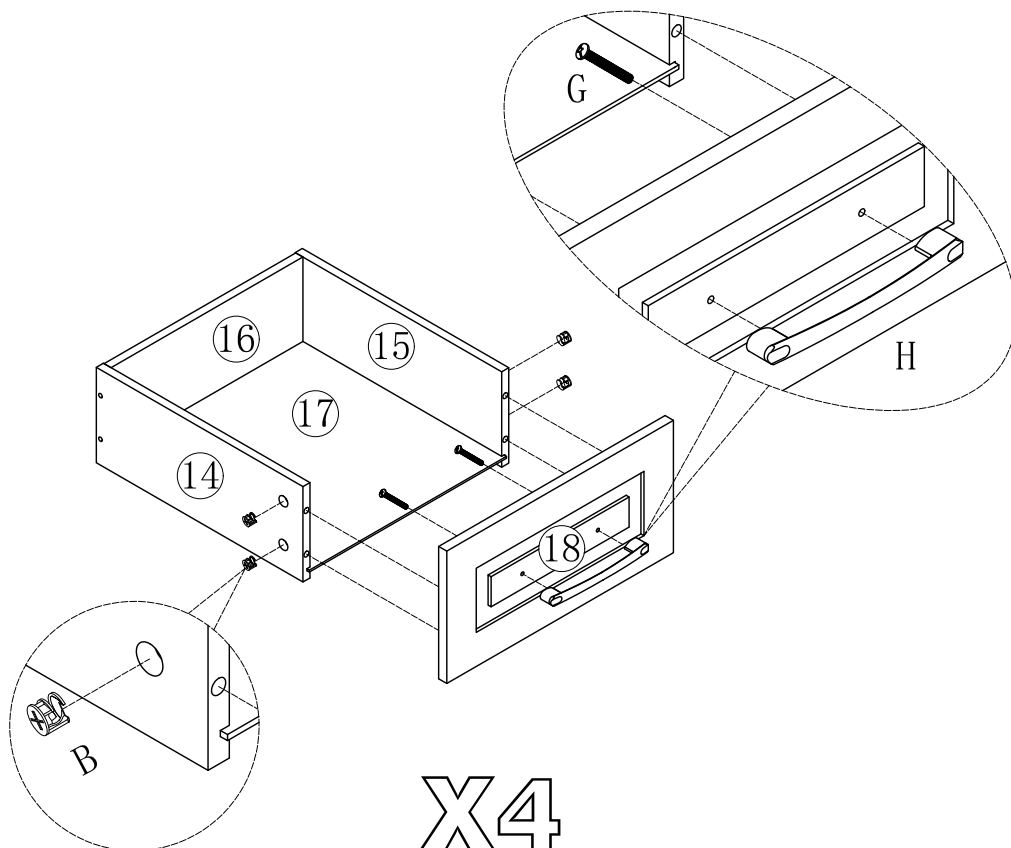
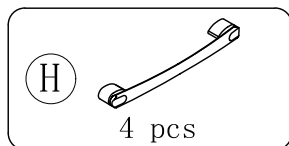
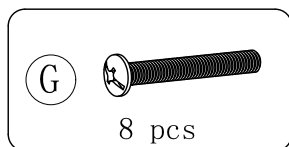
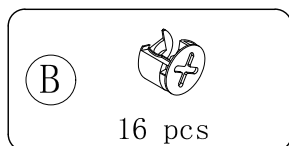
X4

STEP 20



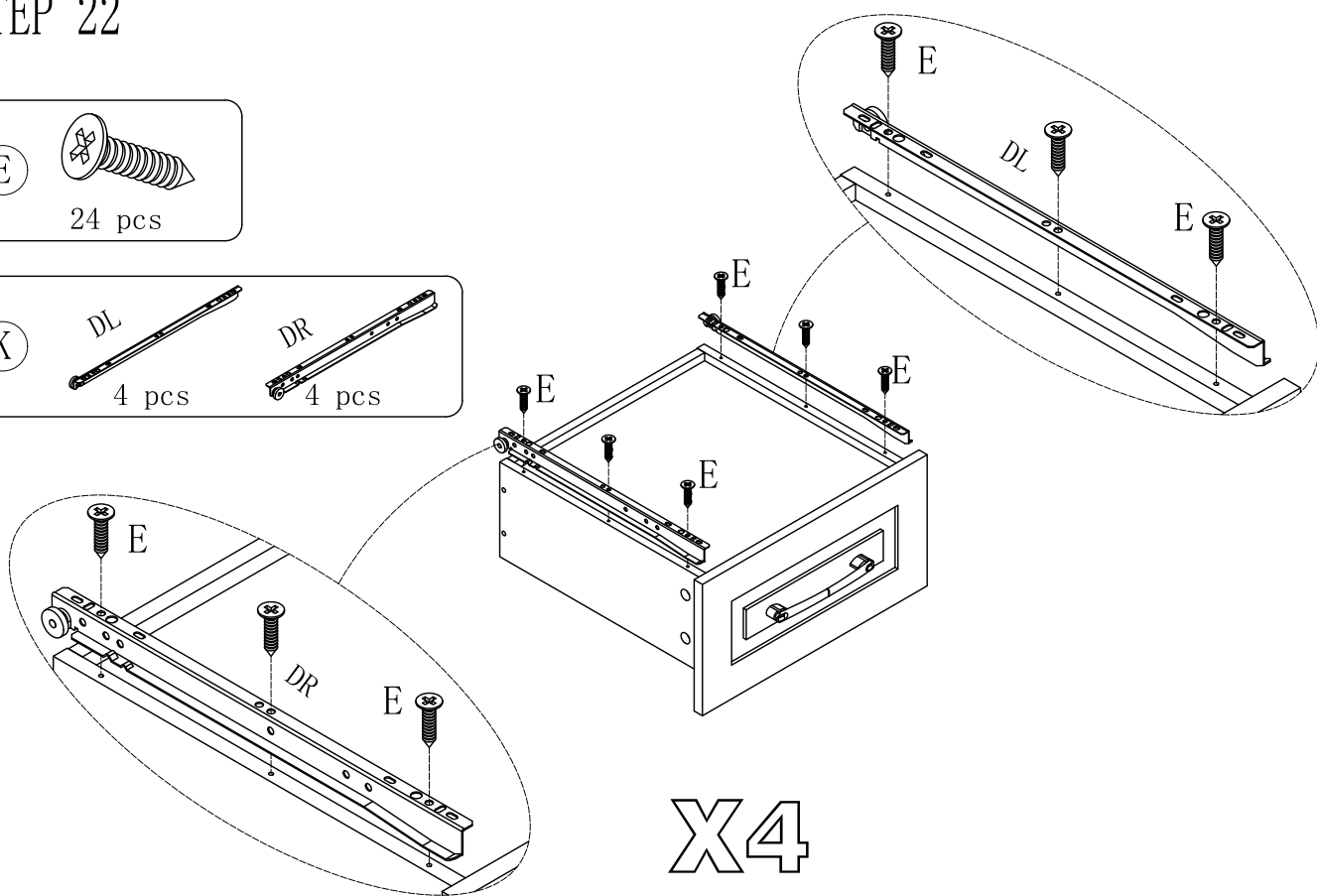
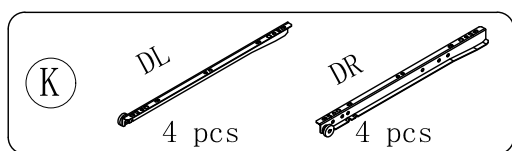
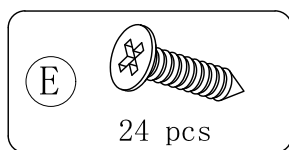
X4

STEP 21

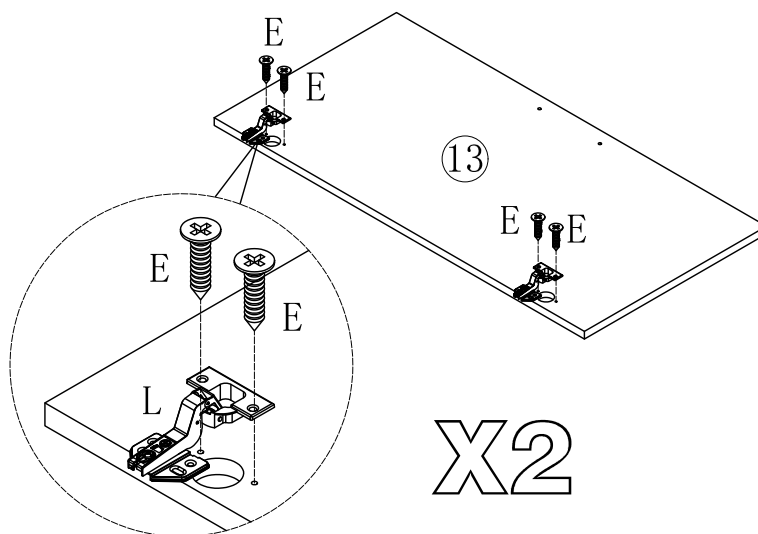
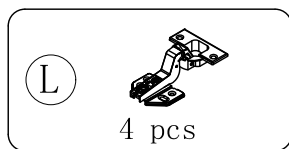
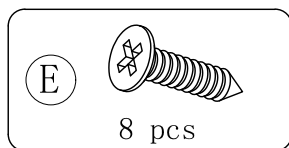


X4

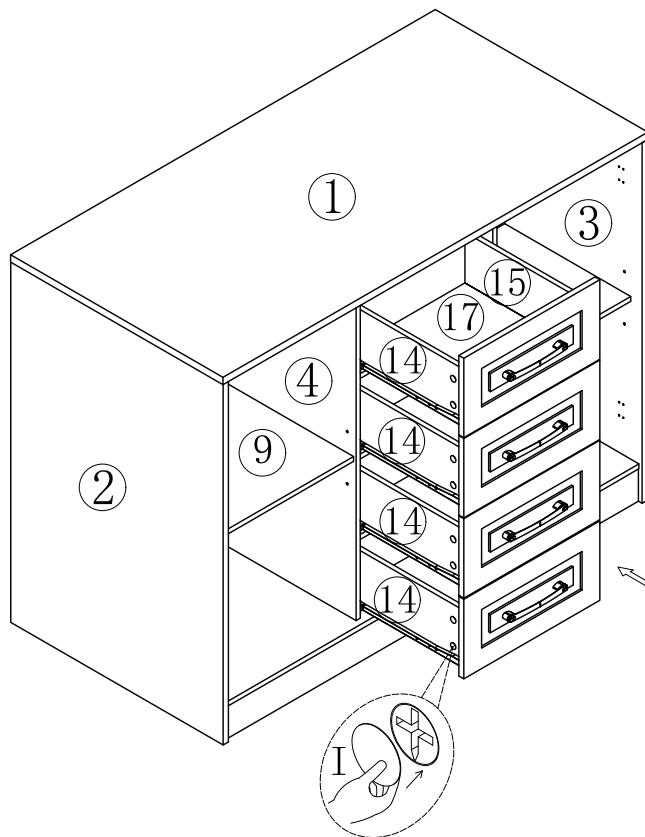
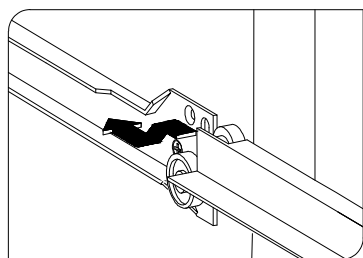
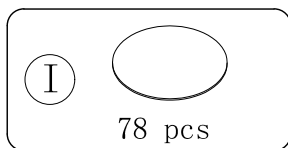
STEP 22



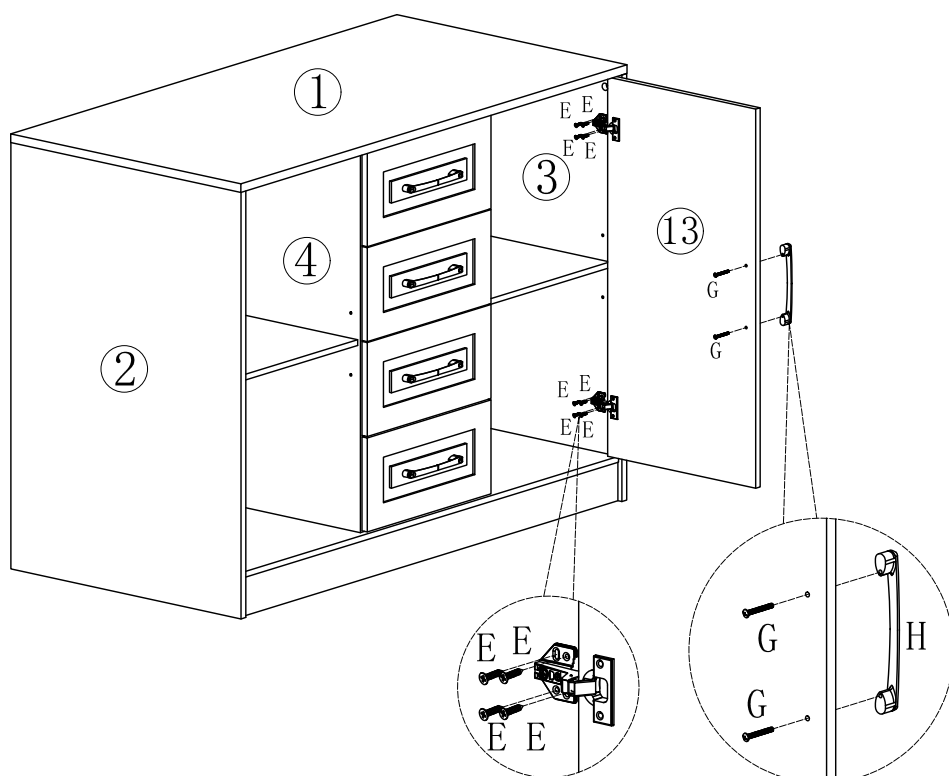
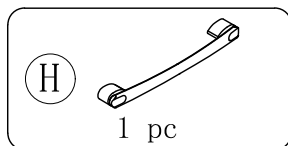
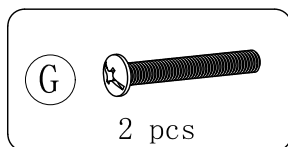
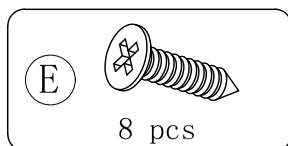
STEP 23



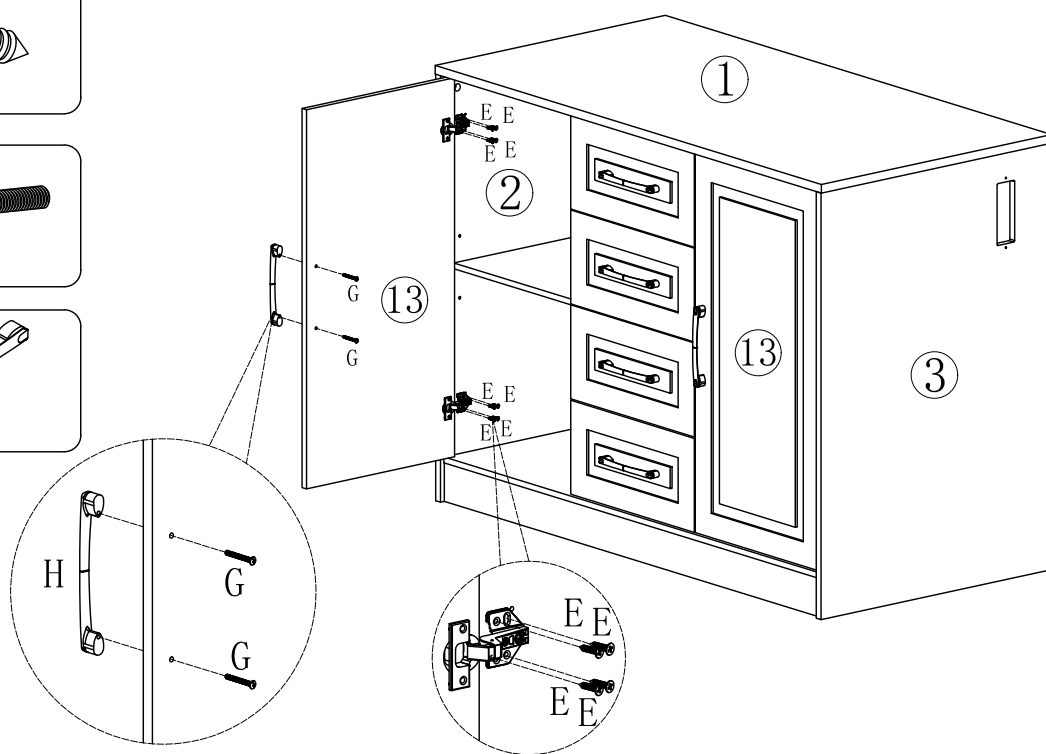
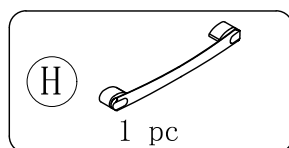
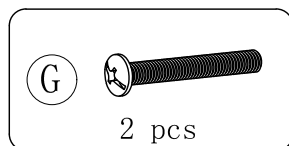
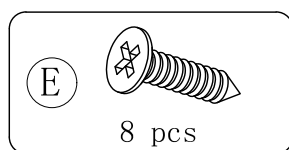
STEP 24



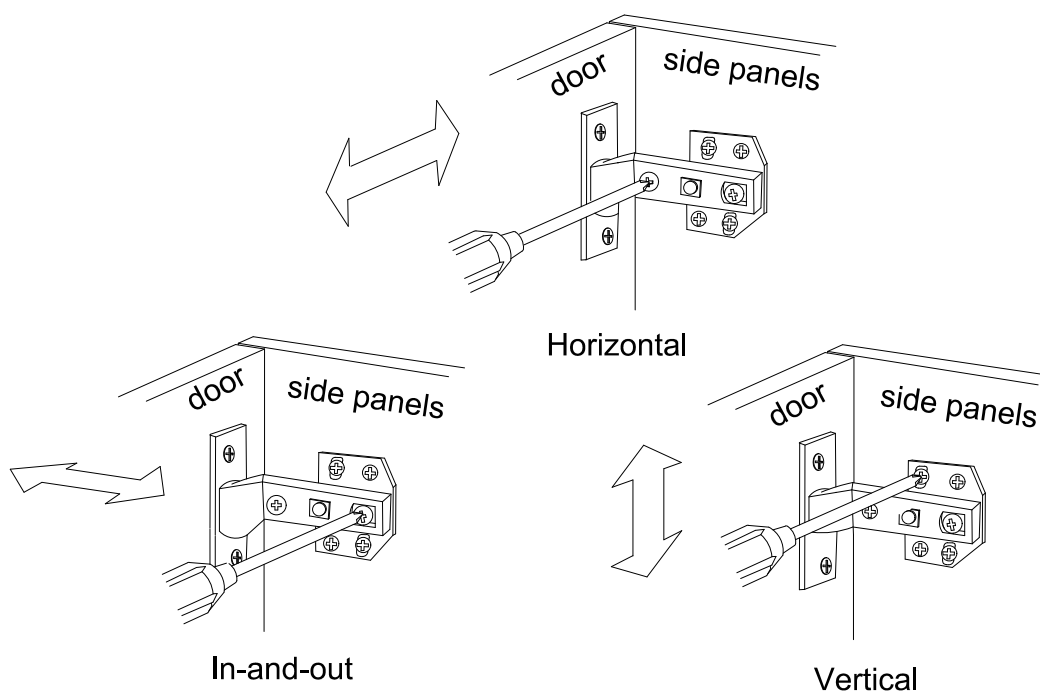
STEP 25



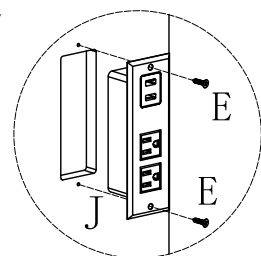
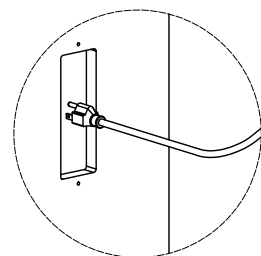
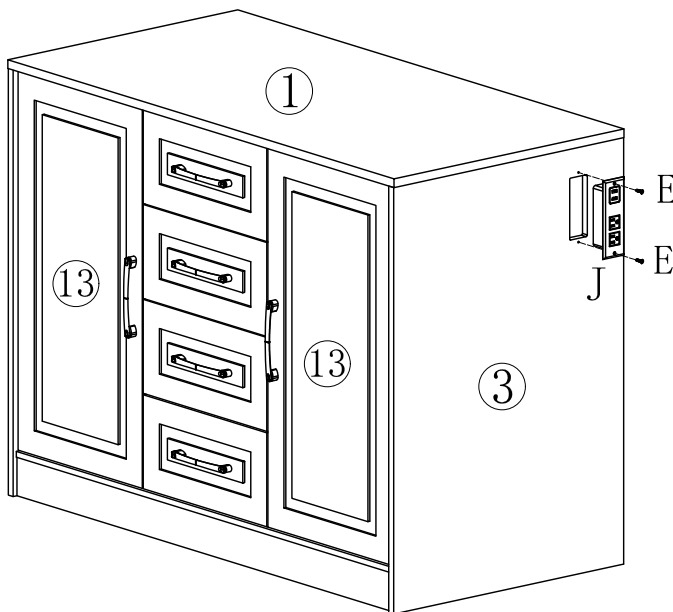
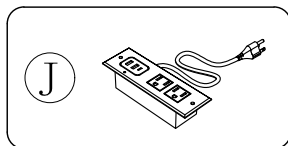
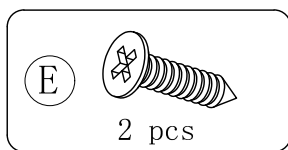
STEP 26



Concealed hinges are three-way adjustable



STEP 27



STEP 28

