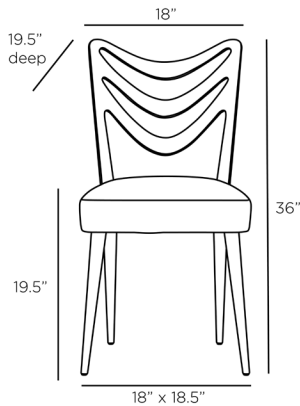


# ARTERIOS

## SUTTON DINING CHAIR



5769

H: 36 IN, W: 18 IN, D: 19.5 IN

Muslin

Contract Recommendations: Not for use in high traffic/public spaces

Taking a cue from Art Nouveau linework, the Sutton is striking around any dining table. The classic ladder-back style is redesigned with a dipped wishbone silhouette and tapered legs. The dining chair is constructed of ebony mahogany, pillowed in neutral white muslin for recovering. Finish will vary.

### APPEARANCE

Material	Muslin, Wood
Material Type	Mahogany
Finish	Ebony, White
Finish Will Vary	true
Top Coat/Sealant	false
Textile Contract Suitability	Not Contract Suitable

### DIMENSIONS

Foot Print	W: 18 IN, D: 18.5 IN
Leg	H: 15 IN
Seat Back	H: 14.5 IN
Seat	W: 18 IN, D: 19.5 IN
Seat Height	19.5 IN
Seat	W: 18 IN, D: 19.5 IN
Clearance	15"
Diagonal Dimension	41.5 IN

### SHIPPING

Product Weight	11 LBS
Gross Weight 1	23.1 LBS
Shipping Box 1	H: 22 IN, L: 24 IN, W: 38.5 IN

### ADDITIONAL INFO

Leg Or Foot Application	Glides
Fabric Rub Count	5,000
Yardage To Reupholster	1 Yard

### CONTRACT

Contract Suitable	Not for use in high traffic/public spaces
Fabric Composition	100% Cotton