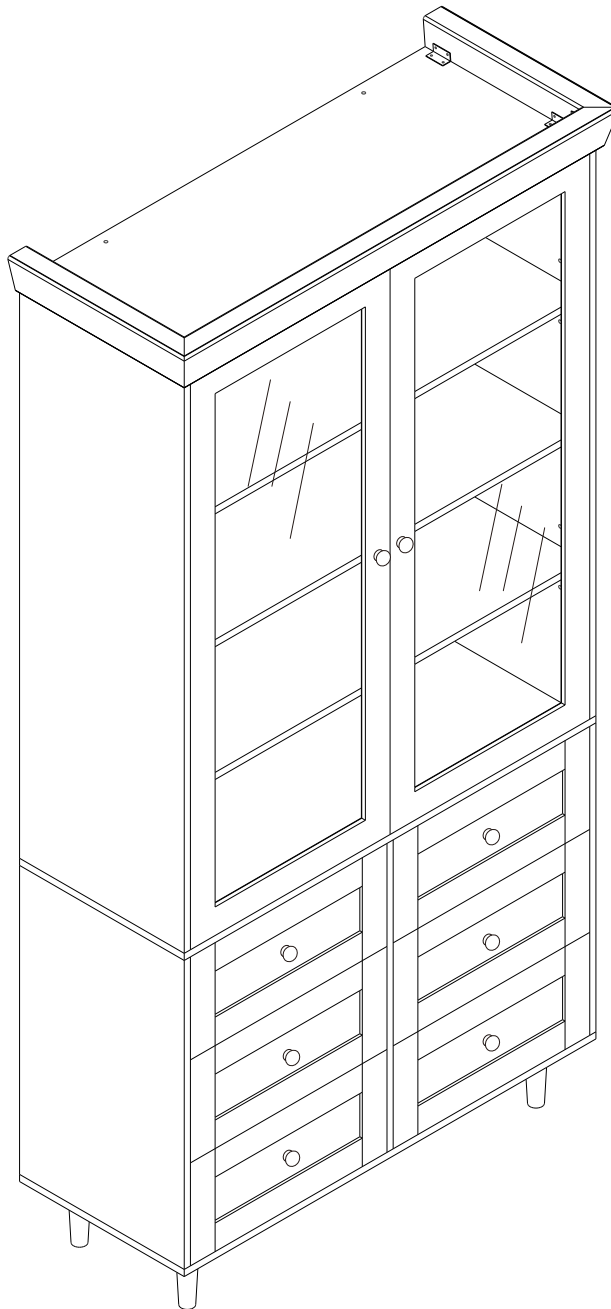
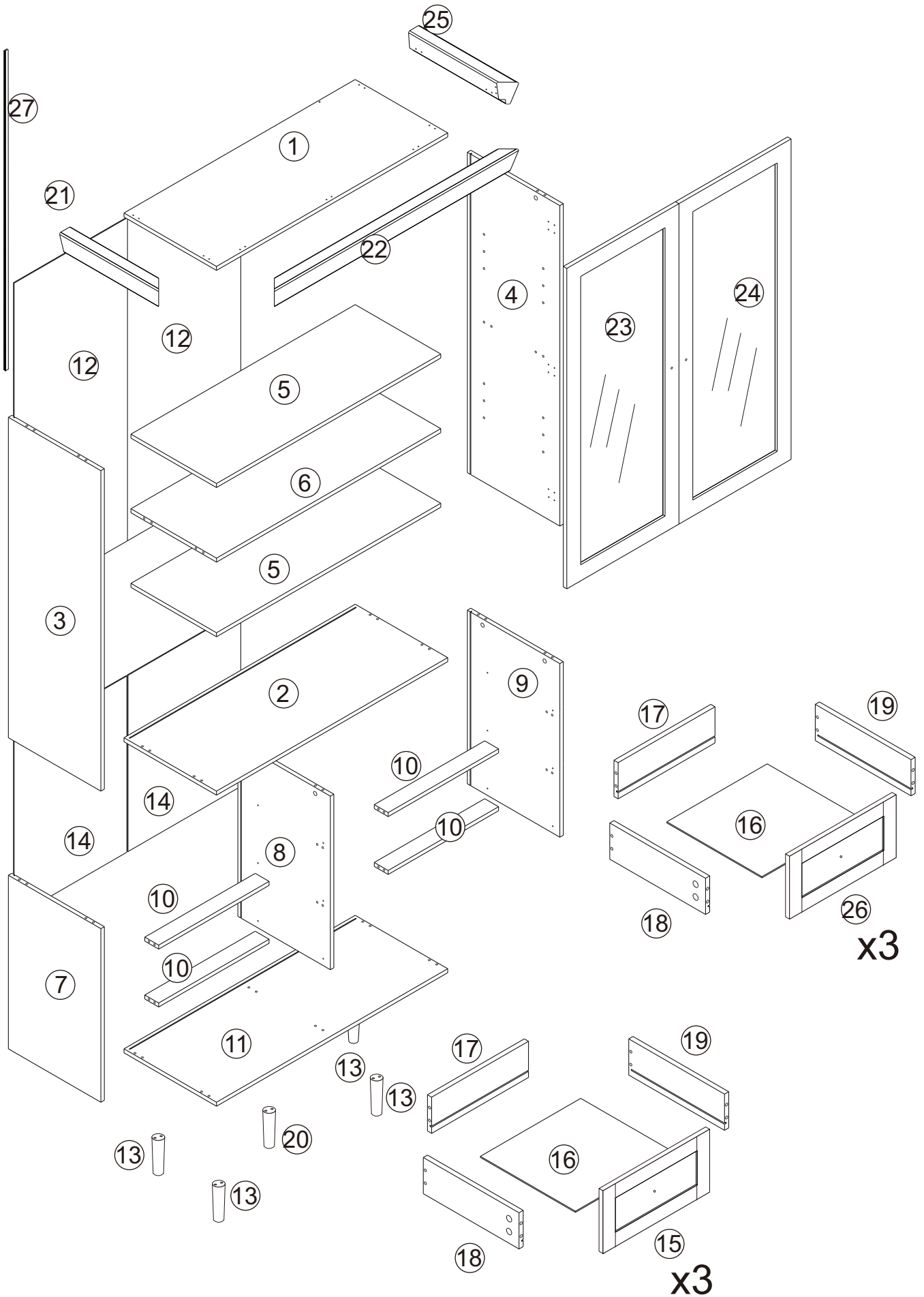


ASSEMBLY INSTRUCTIONS

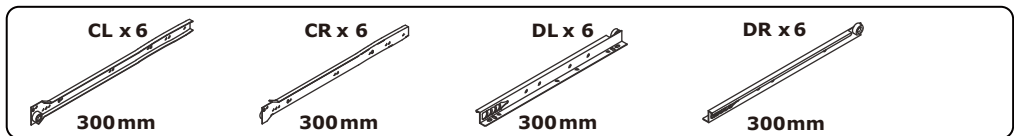
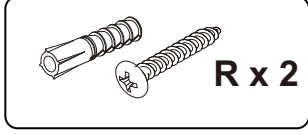
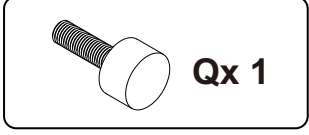
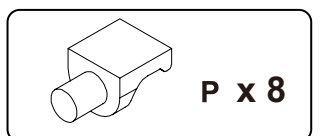
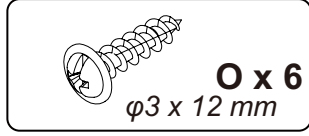
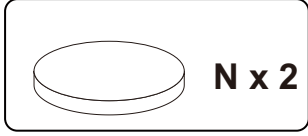
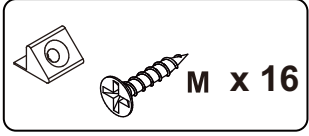
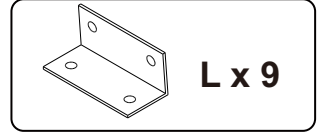
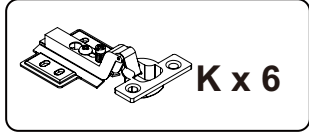
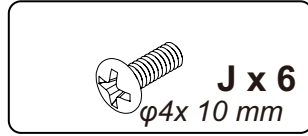
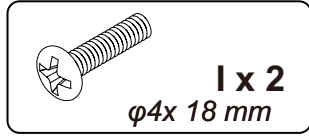
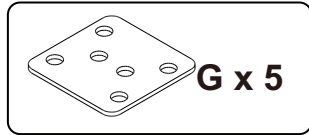
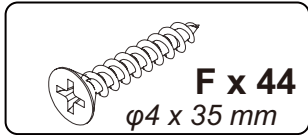
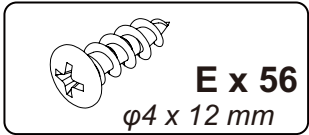
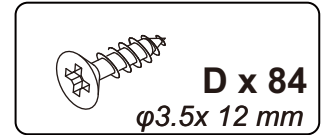
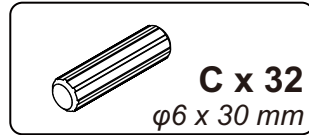
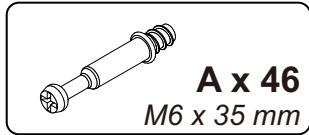
<<Before assembling, read all instructions>>



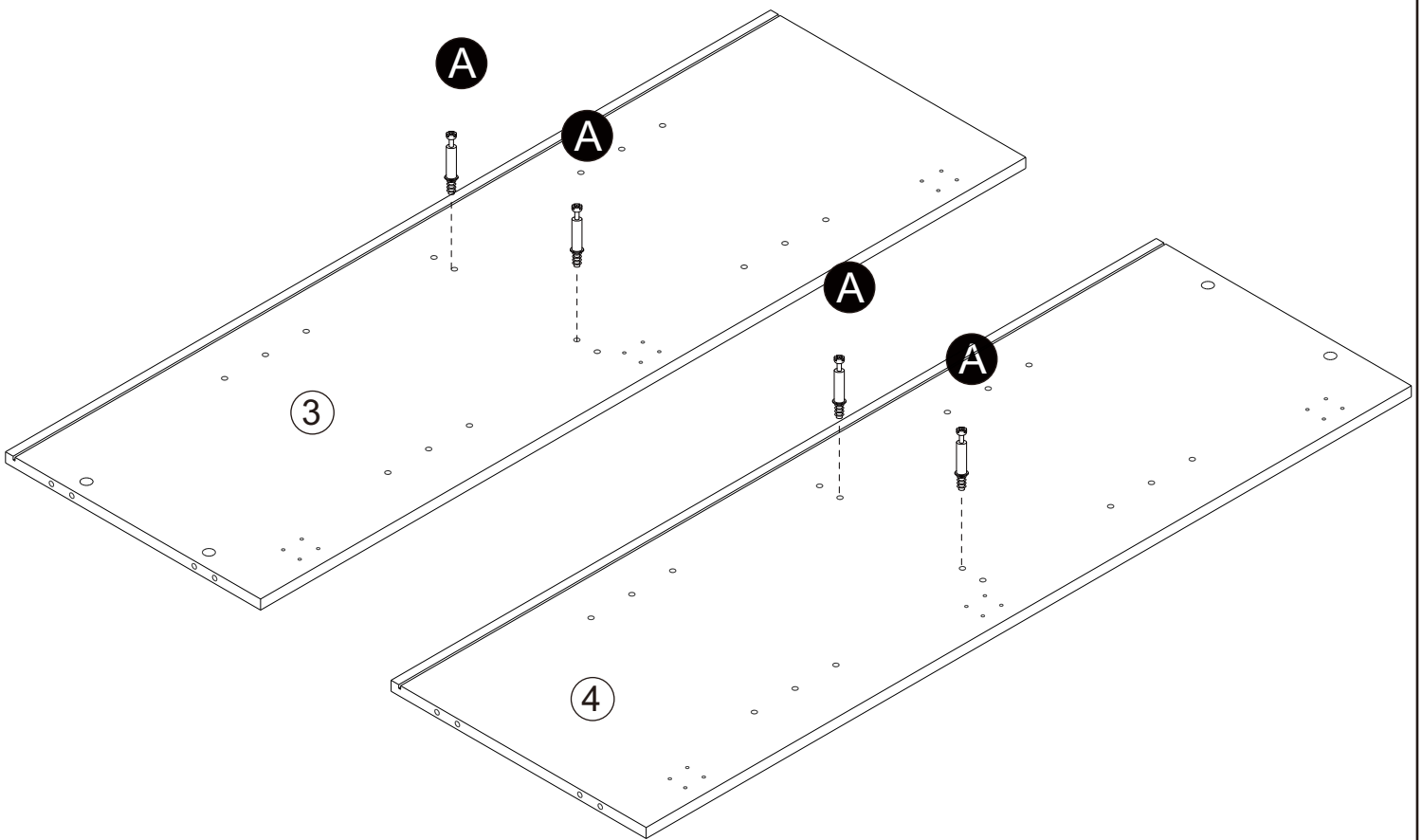
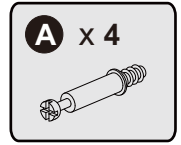
Exploded View



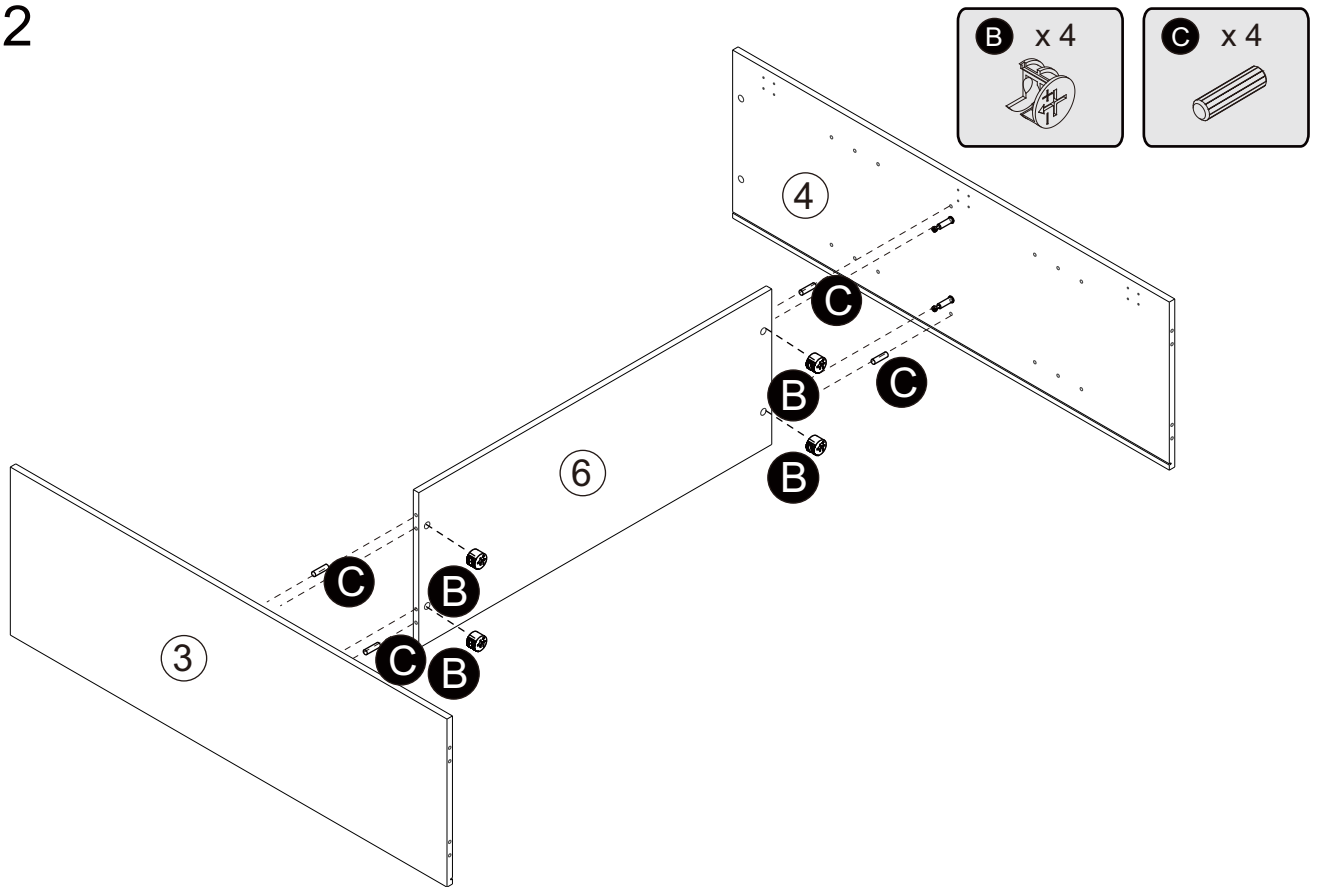
Fittings



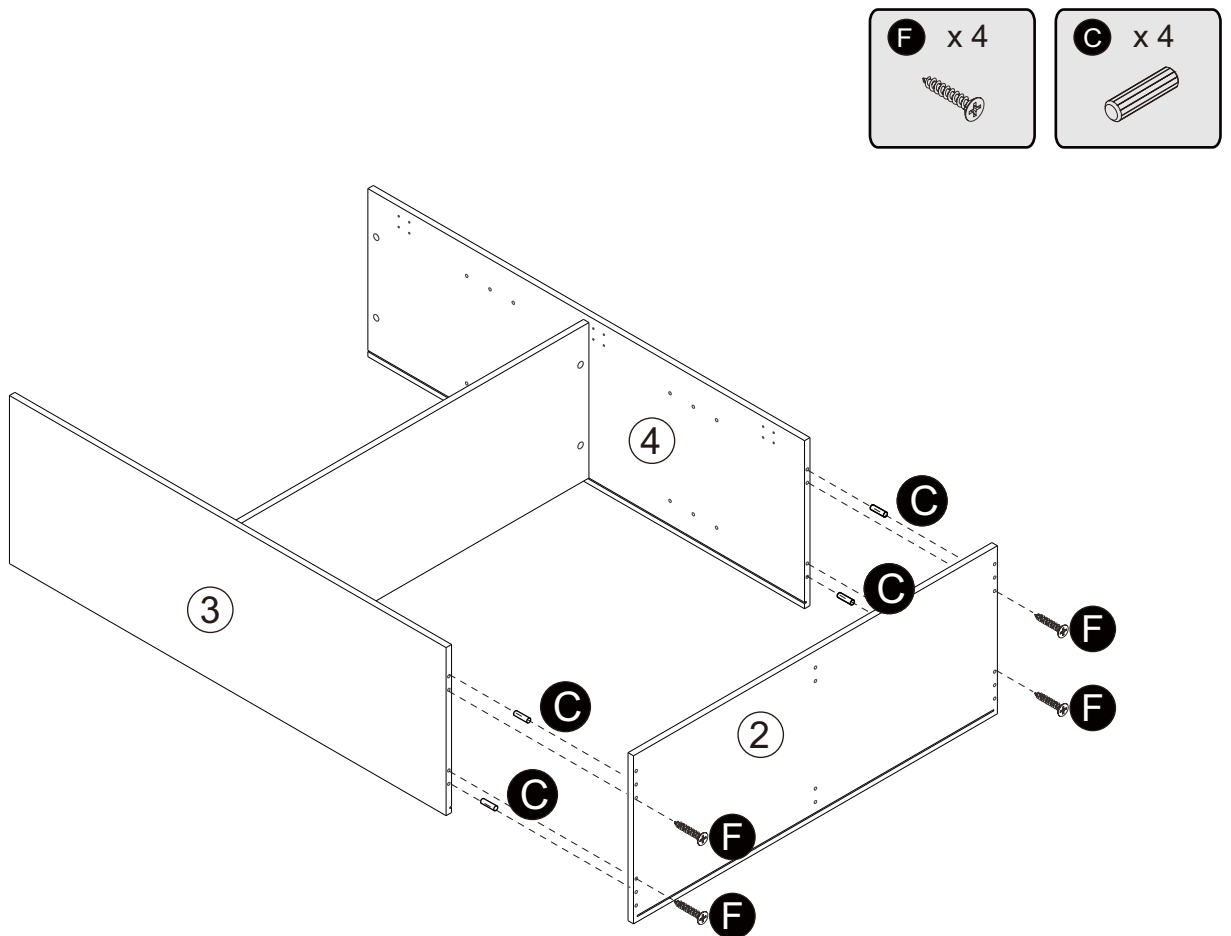
Step 1



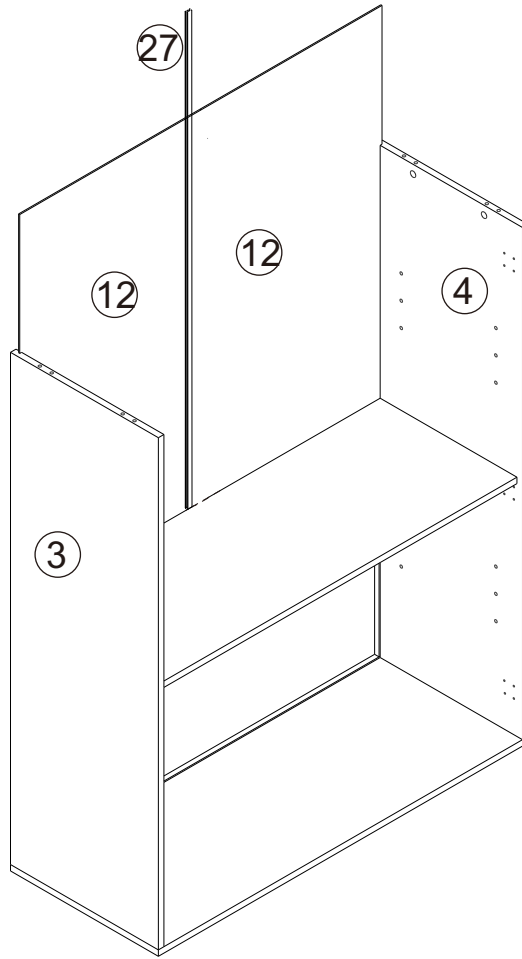
Step 2



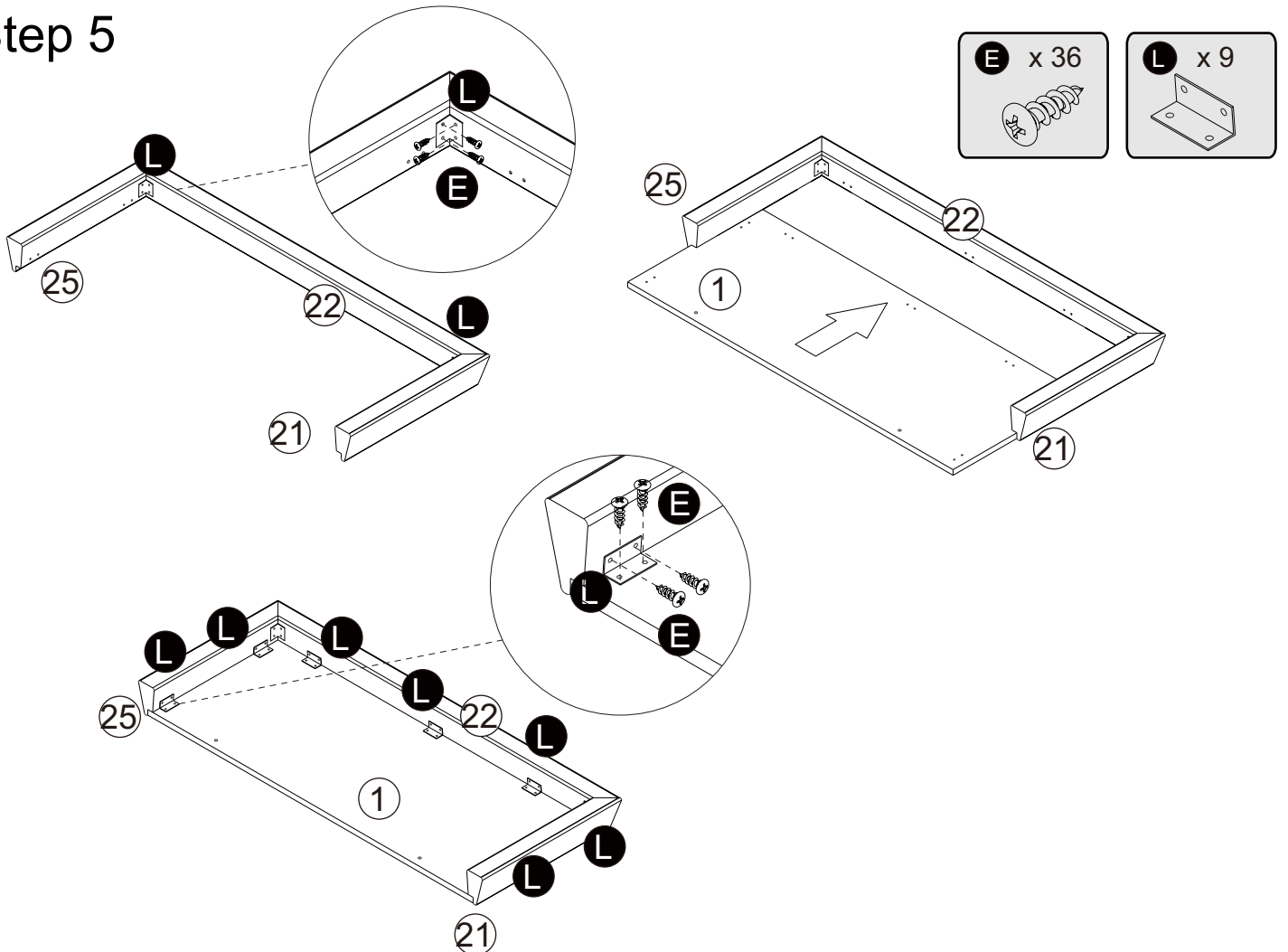
Step 3



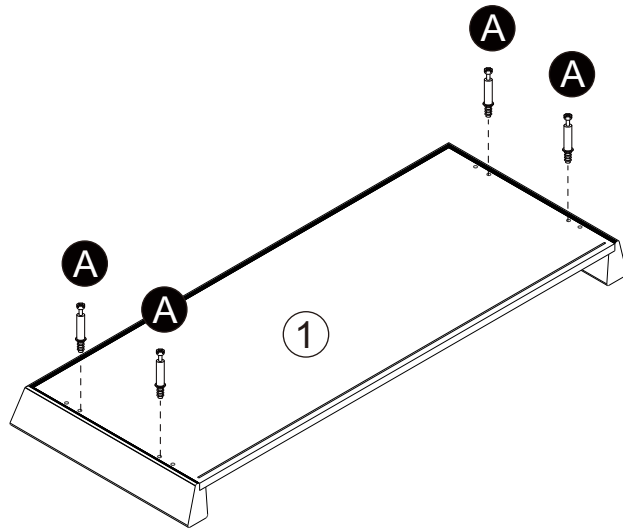
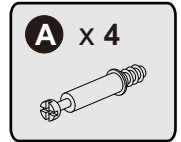
Step 4



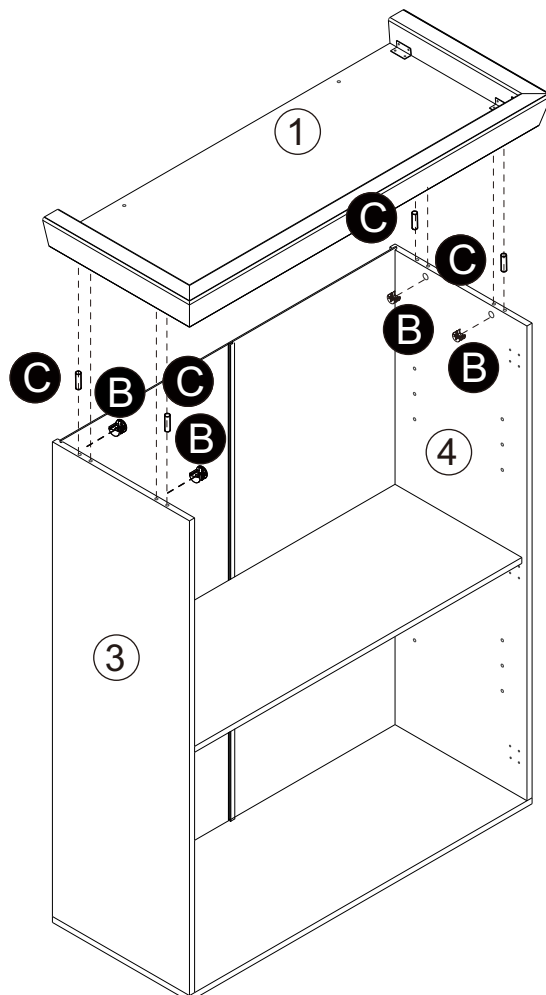
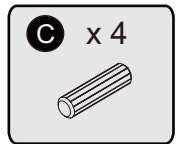
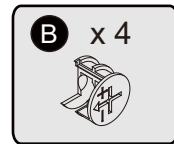
Step 5



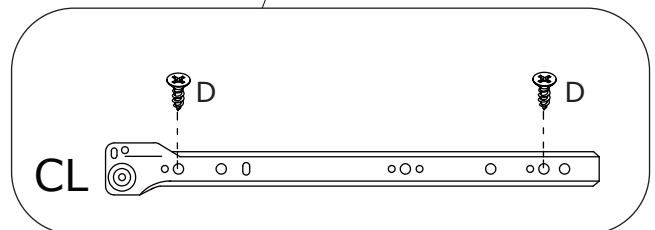
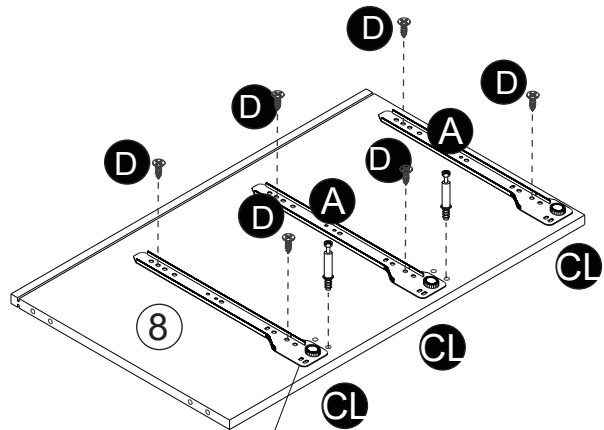
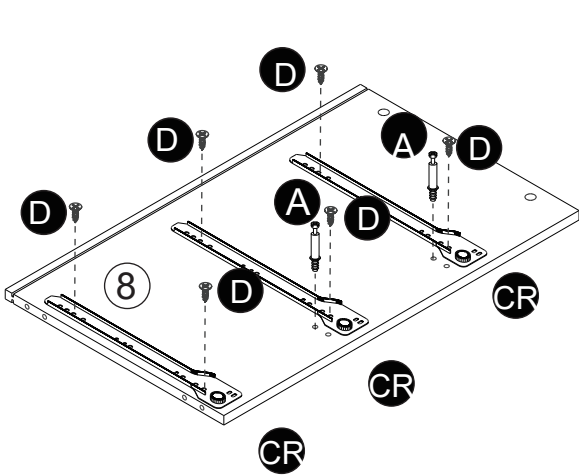
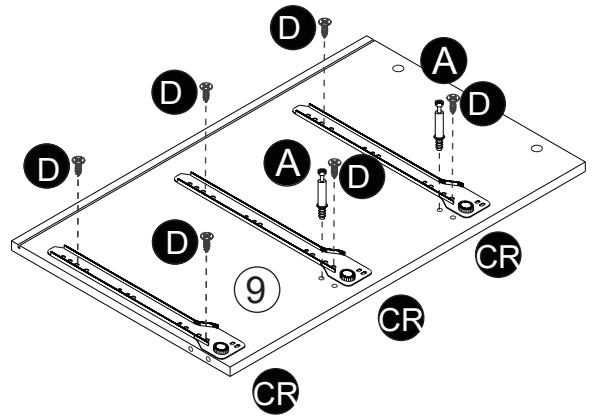
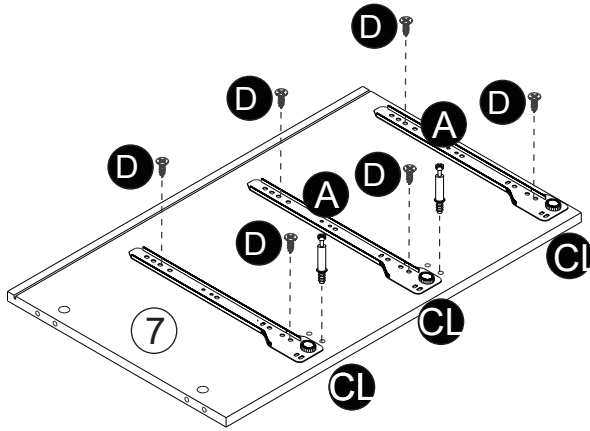
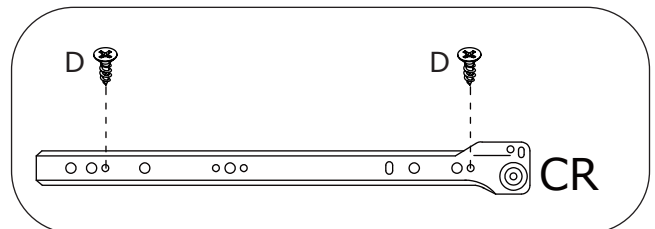
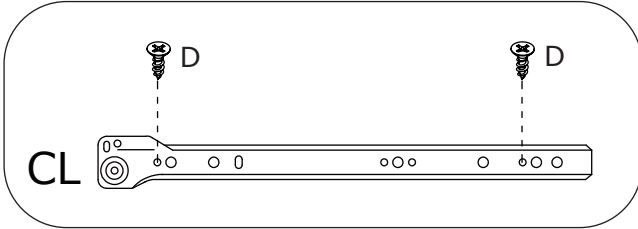
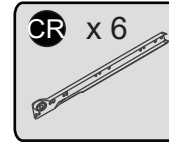
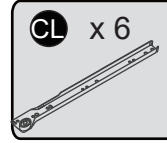
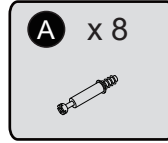
Step 6



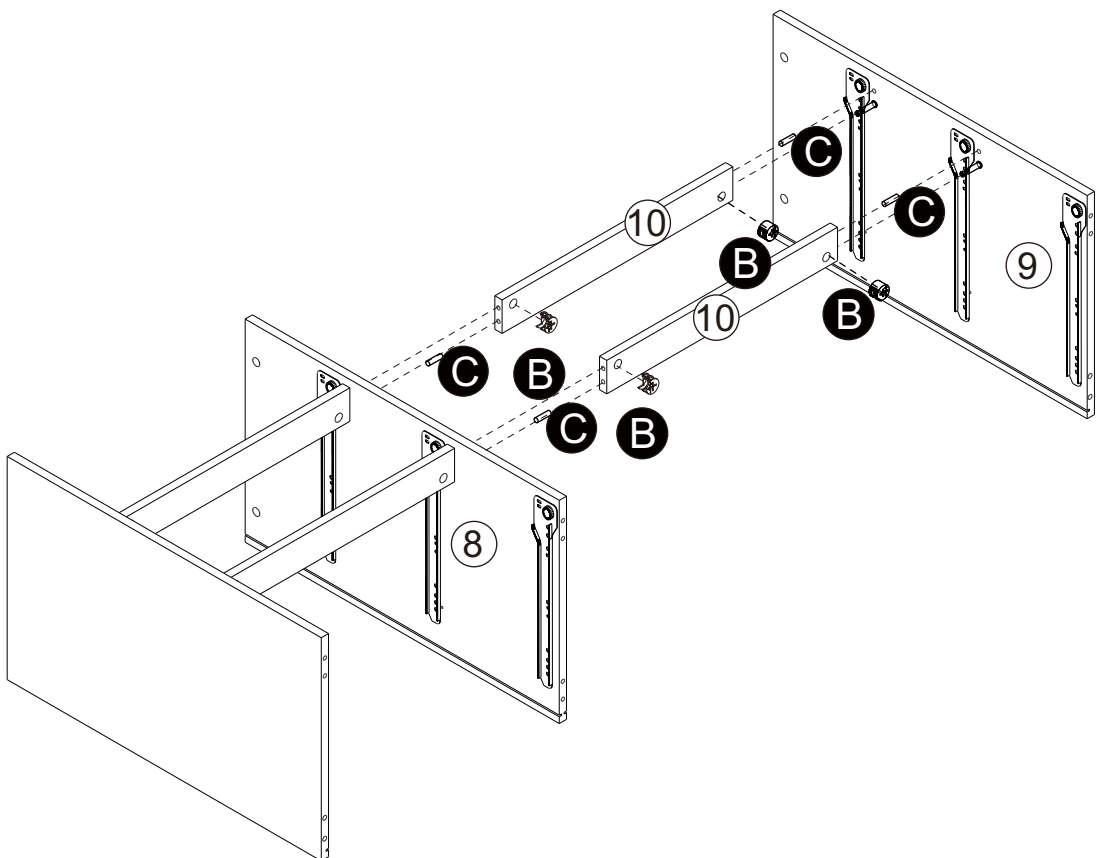
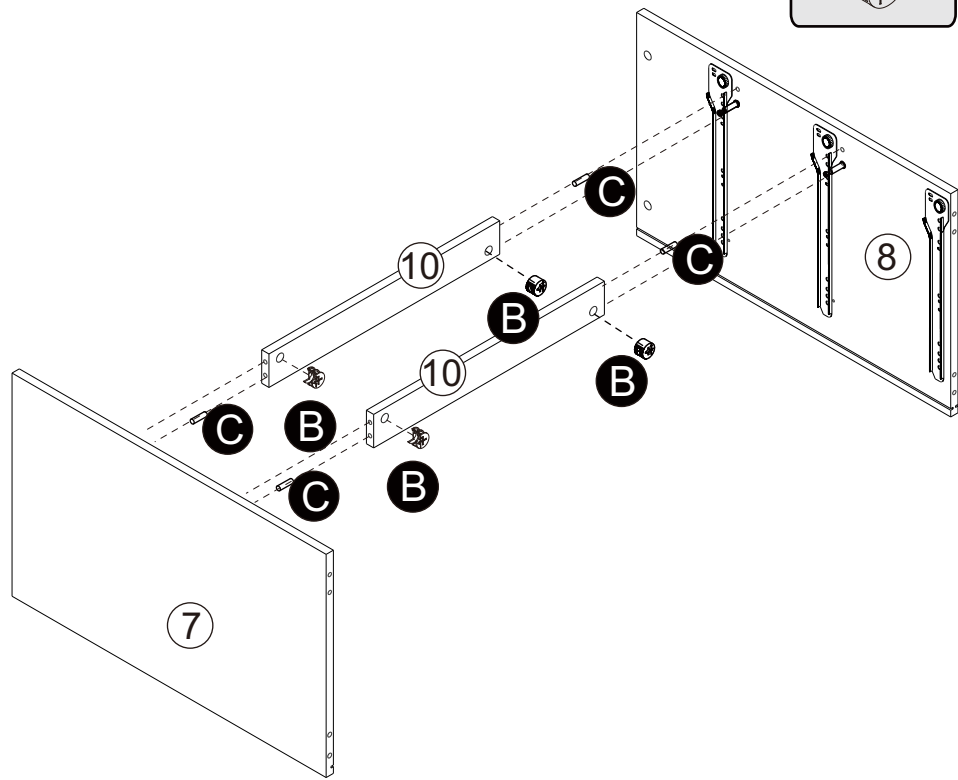
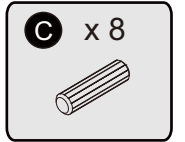
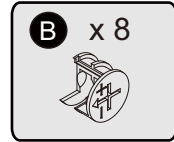
Step 7



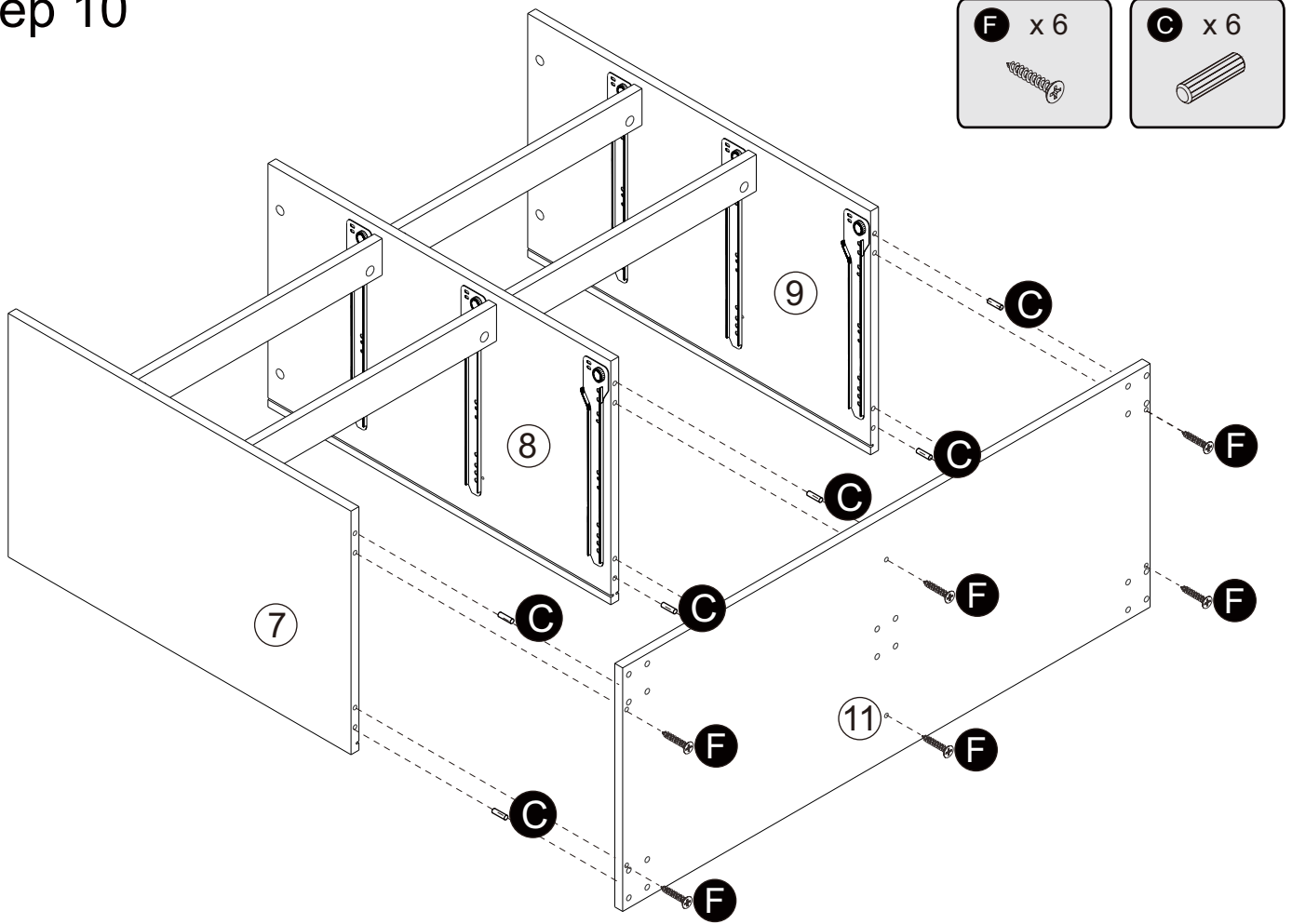
Step 8



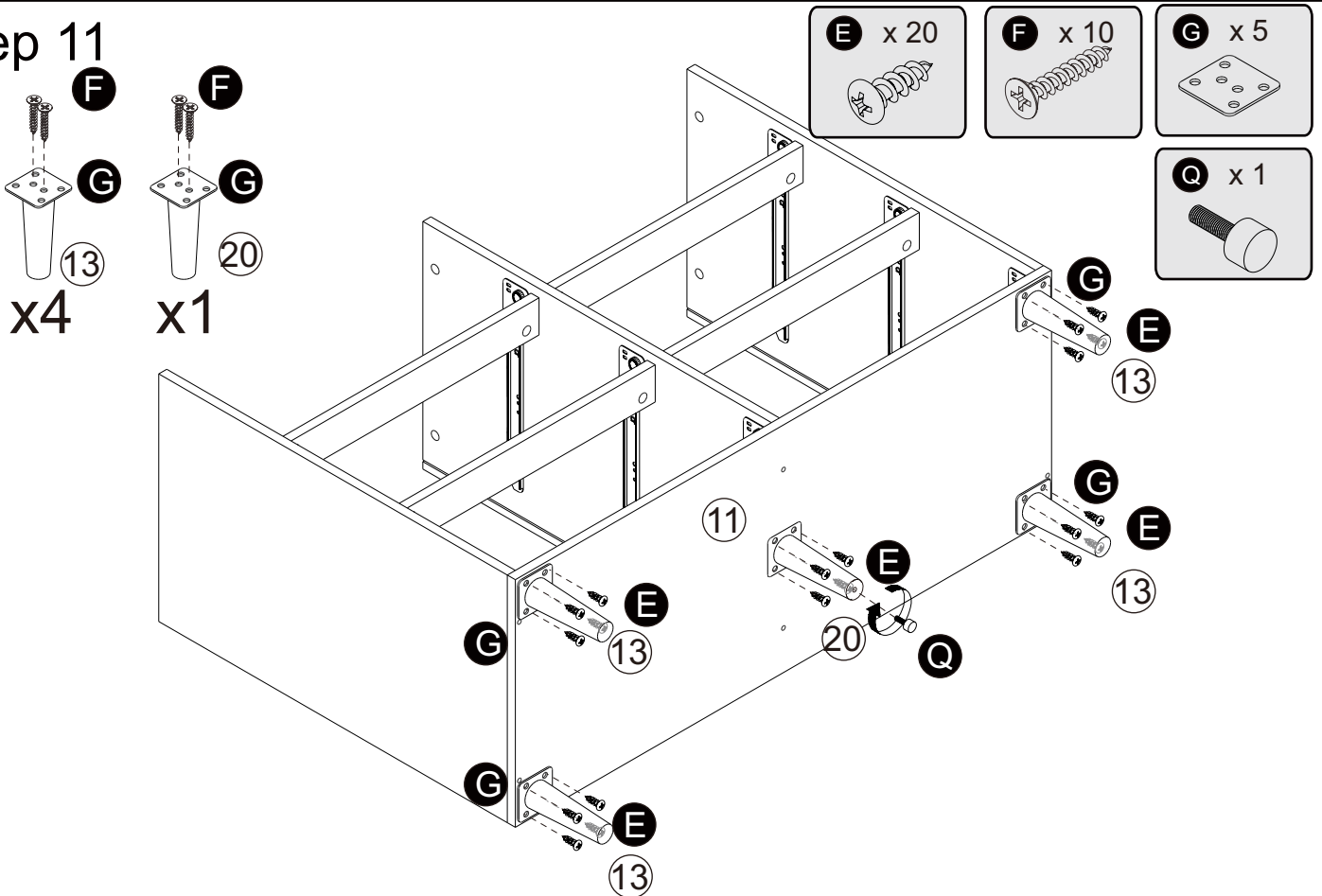
Step 9



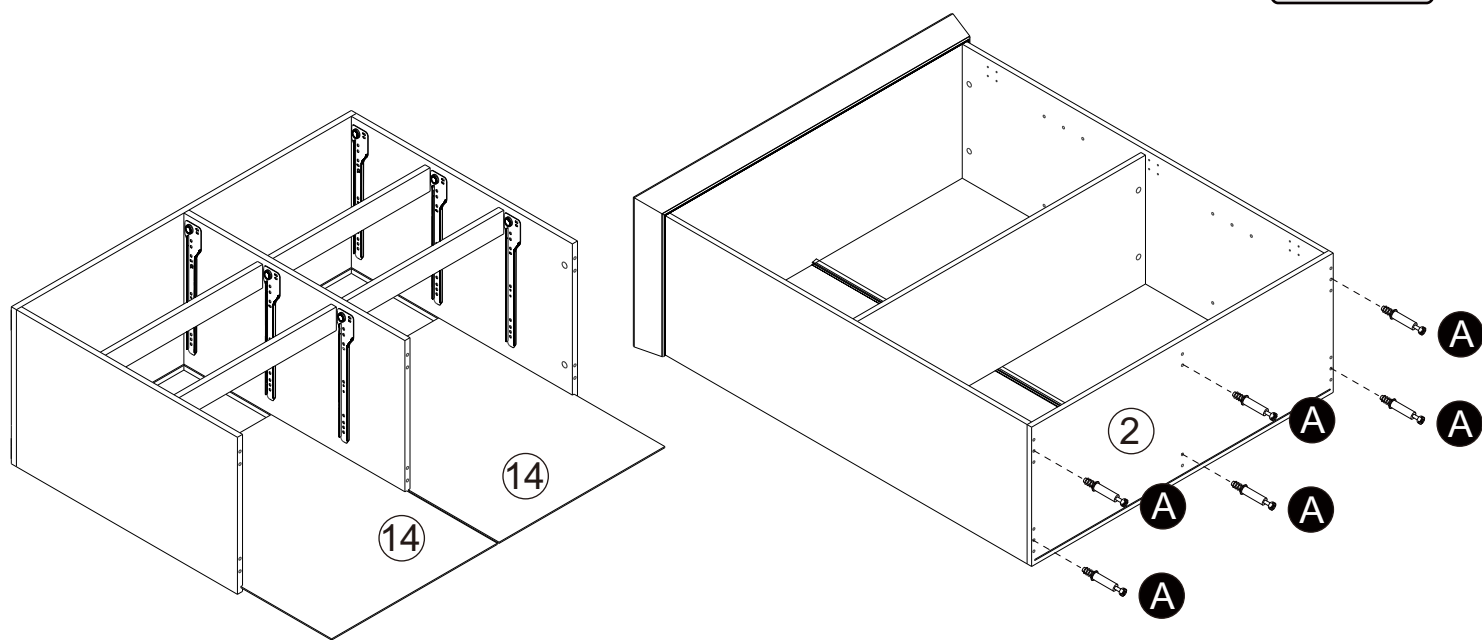
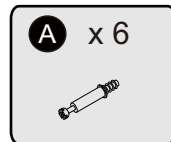
Step 10



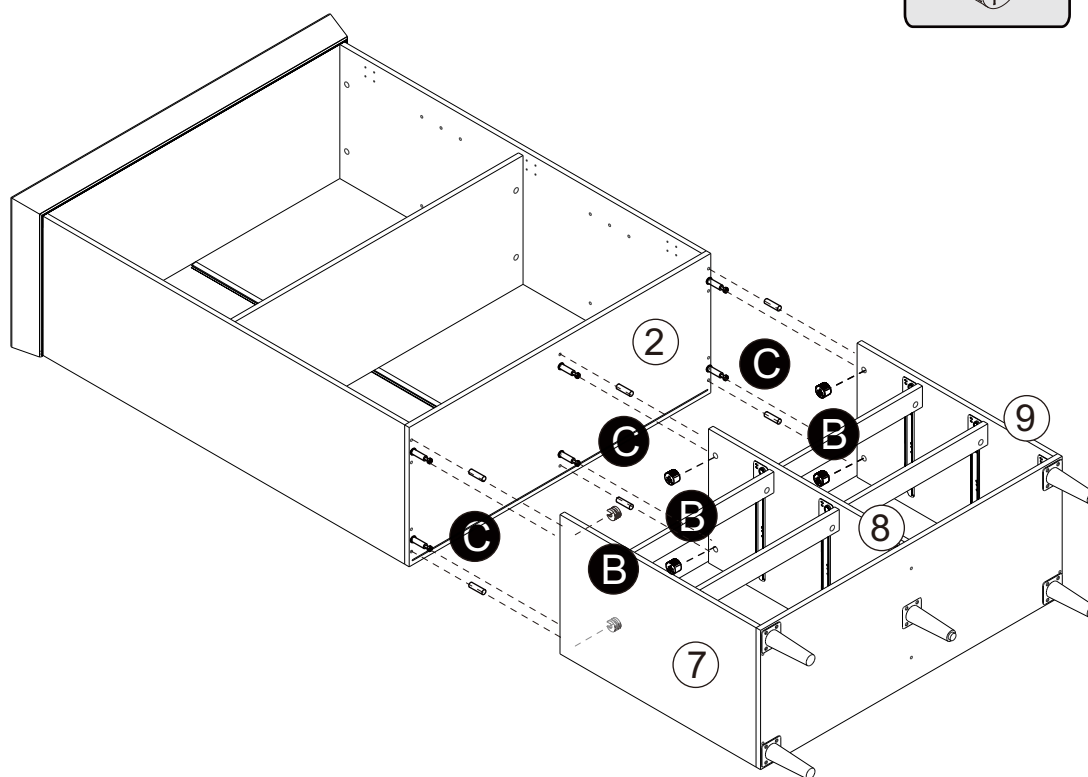
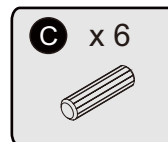
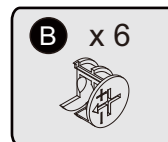
Step 11



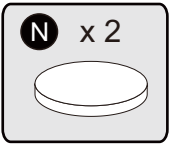
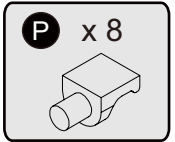
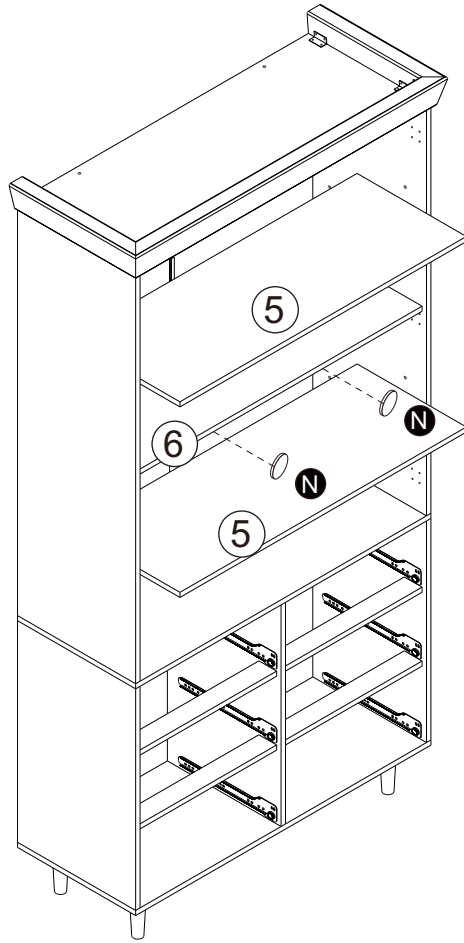
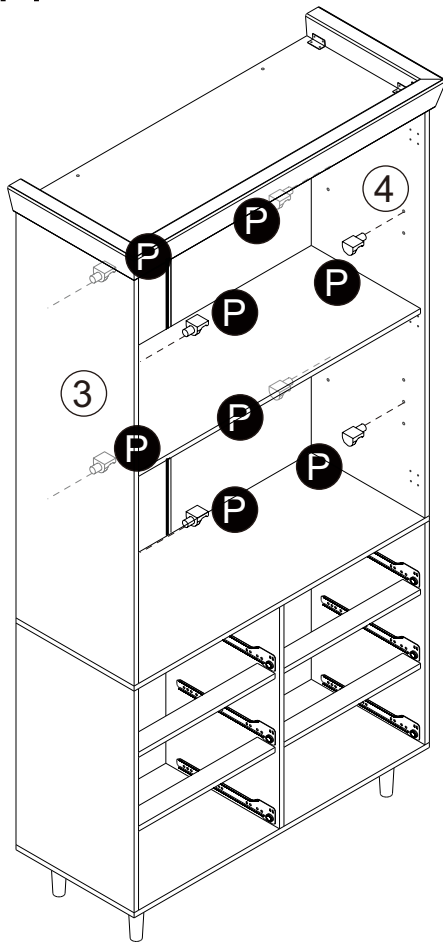
Step 12



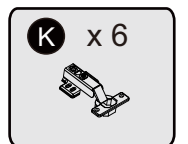
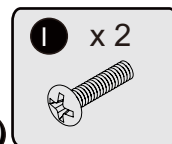
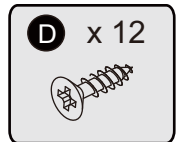
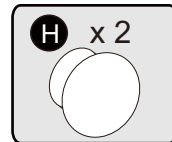
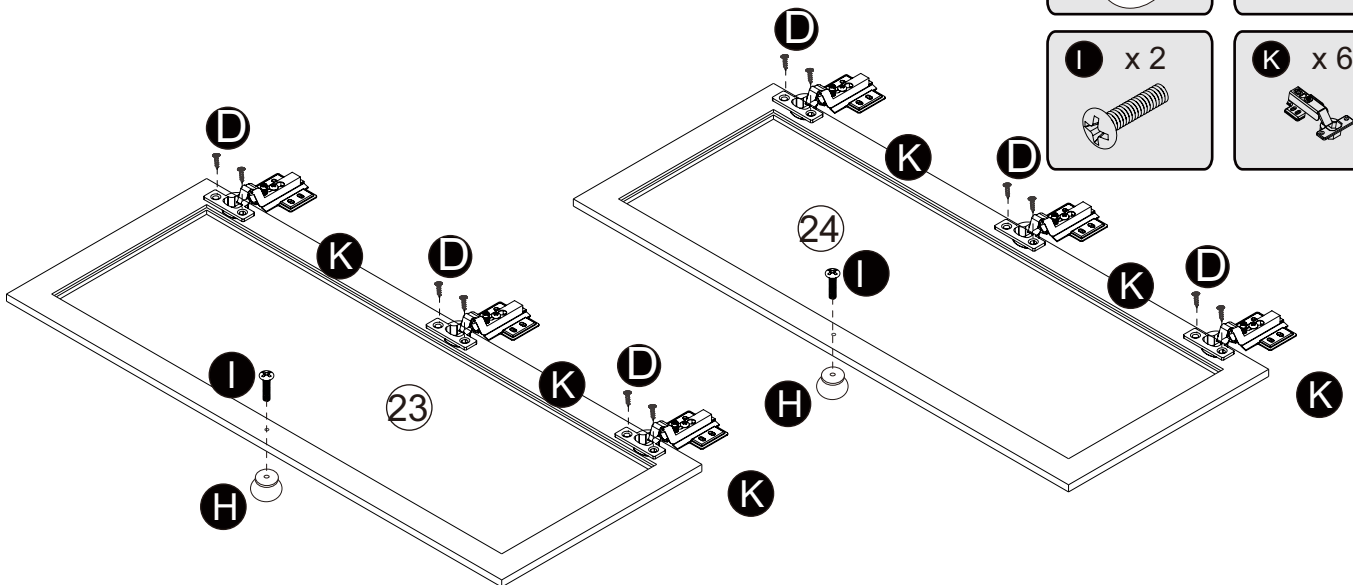
Step 13



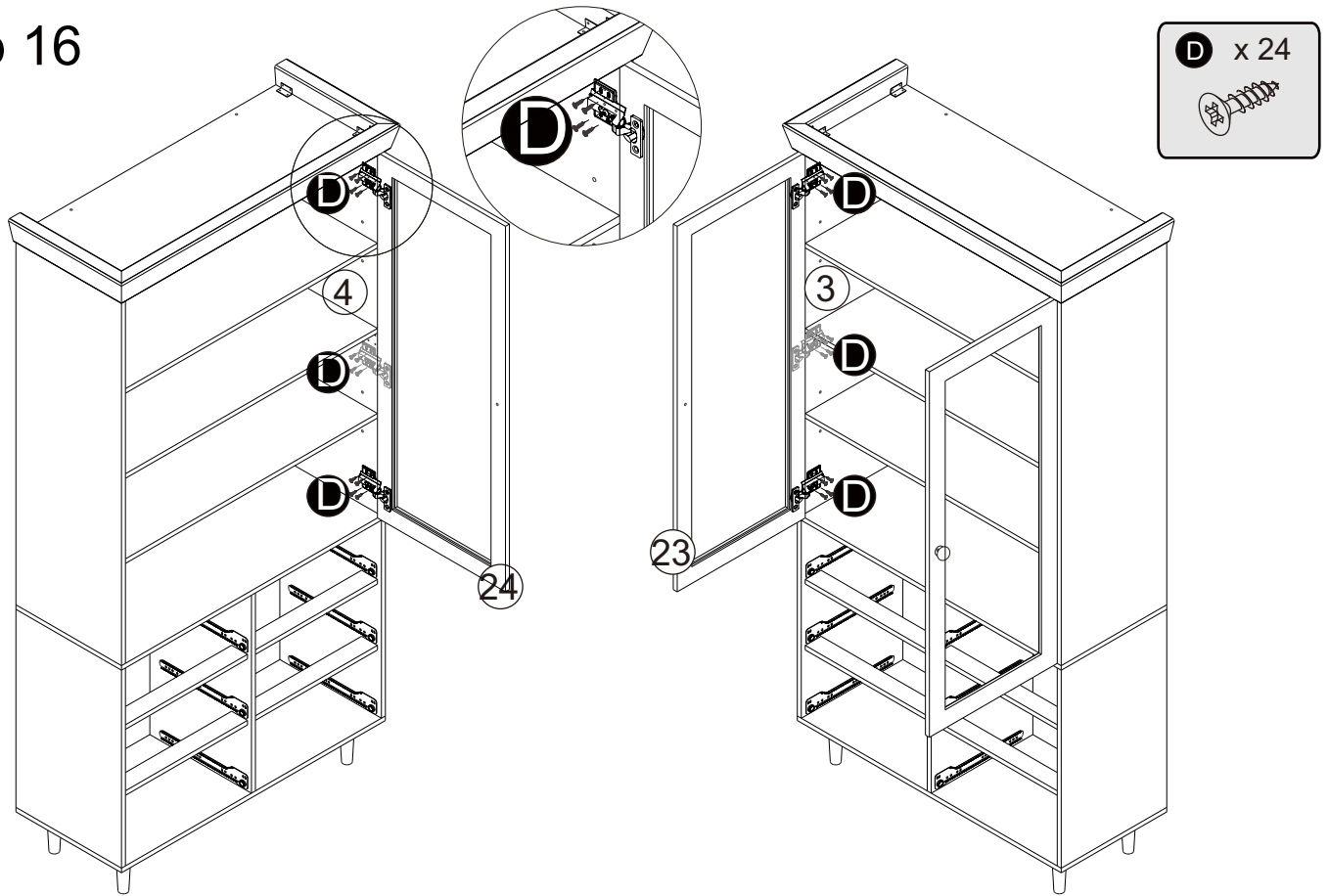
Step 14



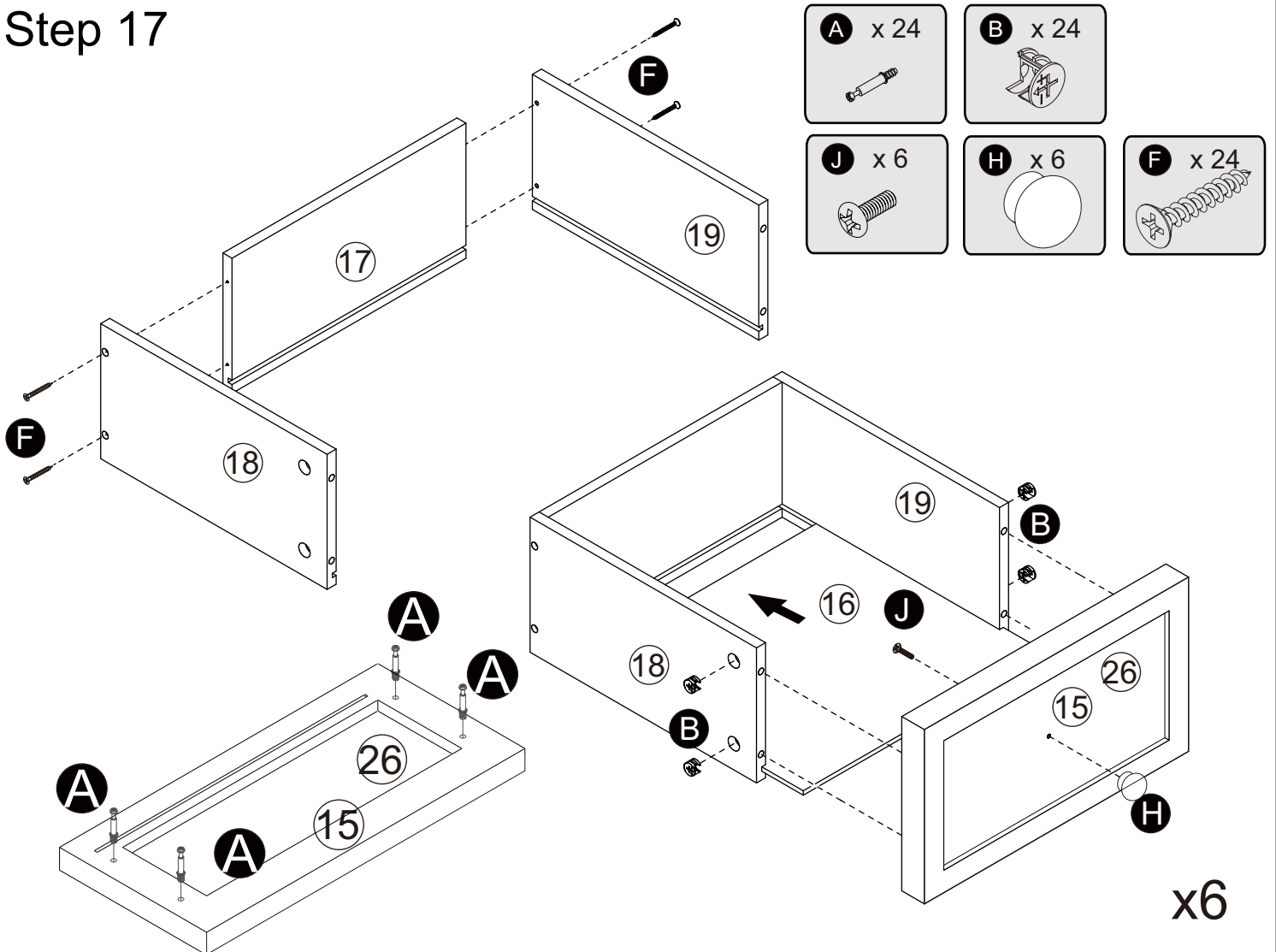
Step 15



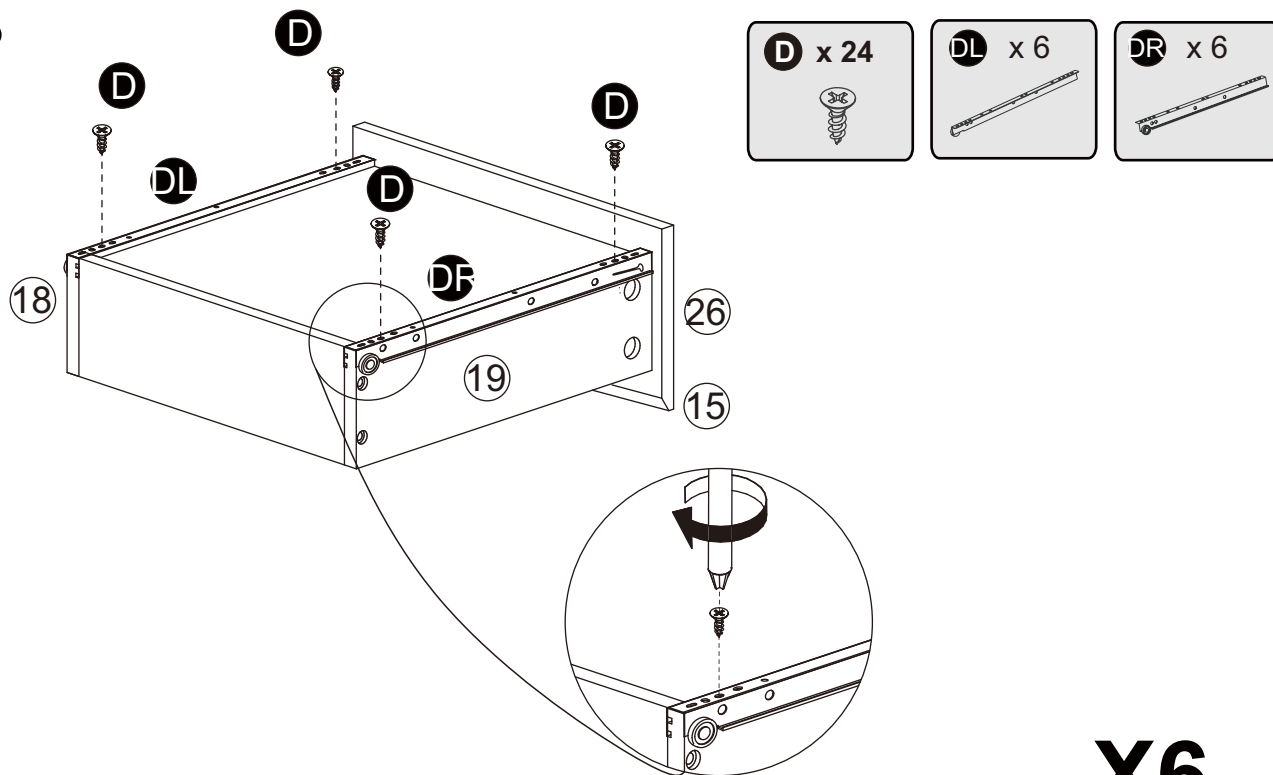
Step 16



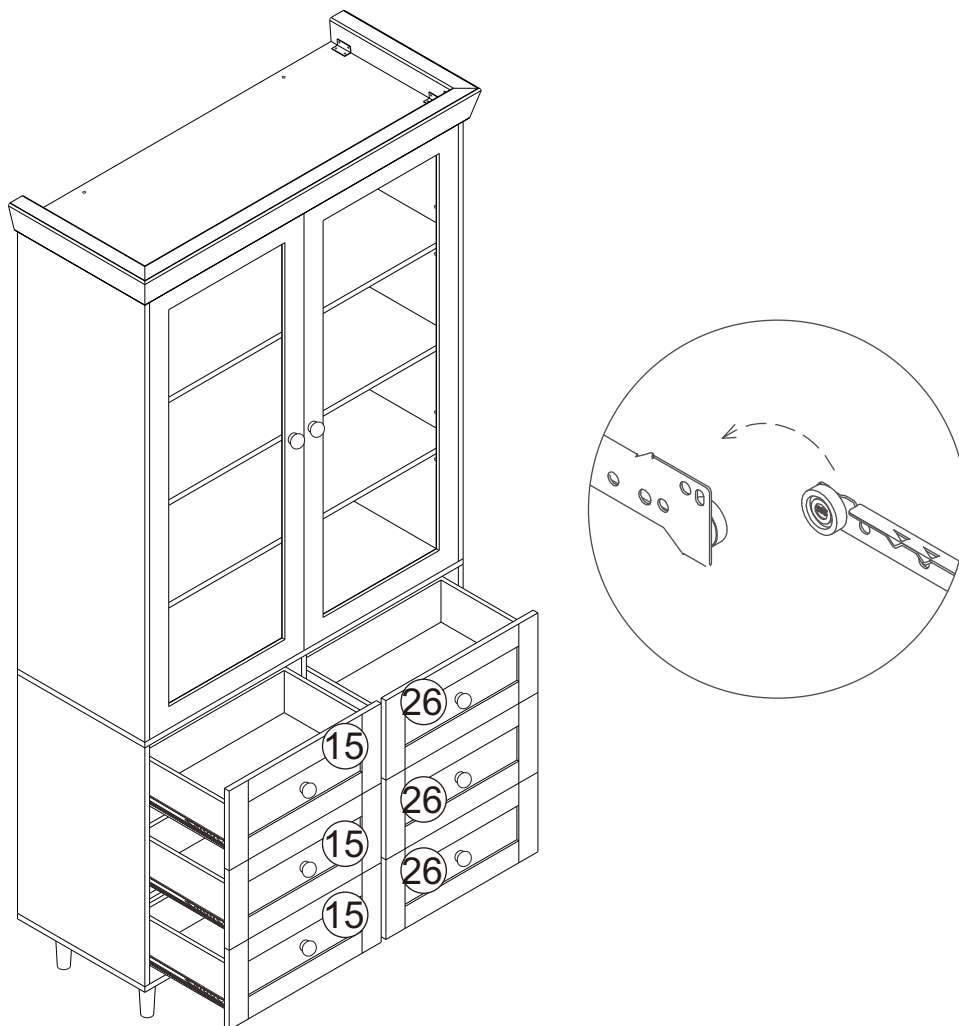
Step 17



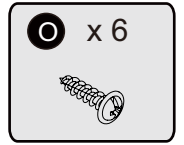
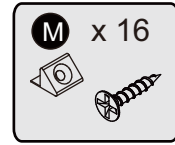
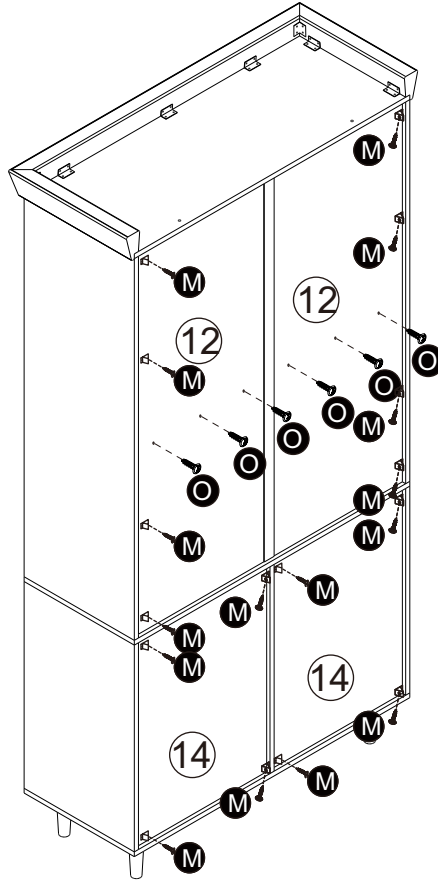
Step 18



Step 19



Step 20



Step 21

