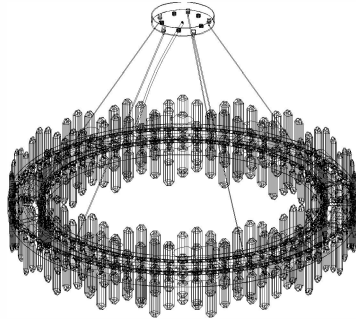
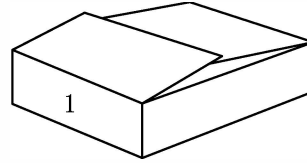


Installation Instructions



Packing List:



Before Installation:

- ★ Read all instructions carefully.
- ★ Keep the instructions for future reference.
- ★ Separate and list all parts and hardware.
- ★ Read each step carefully and follow the correct installation procedures.
- ★ To avoid losing any components during assembly, we recommend not moving the fixture until assembly is complete.
- ★ Keep all small parts and packaging materials of this product away from infants and children as they may cause serious injury.

★ Product Specification

Light Source: E12 20pcs (not included) Watt: 3W (per) Kelvin: 3000K

Installation Instruction Video:

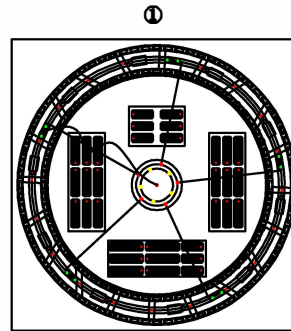
Chandelier Installation and Safety Standards
The installation of a chandelier is a crucial step in ensuring its safety. Chandelier safety standards dictate the process of installation, including the tools and equipment that can be used, the methods of securing the chandelier, and the location of the chandelier.

Securing the chandelier is a crucial step in the installation process. Chandelier safety standards dictate that the chandelier must be securely attached to a suitable support, such as a ceiling joist, to prevent it from falling. This includes ensuring that the support is strong enough to bear the weight of the chandelier, and that the chandelier is properly balanced to prevent it from tipping or swaying.

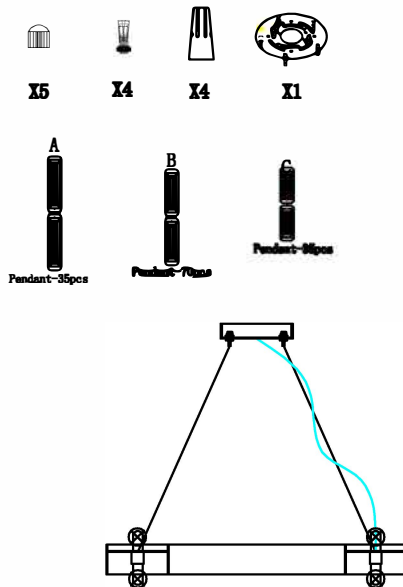
Furthermore, the chandelier must be secured using suitable hardware, such as screws or bolts, that are strong enough to bear its weight. The hardware must be properly installed and tightened to ensure that the chandelier is securely attached. Regular inspections of the hardware are also necessary to detect and repair any damage or wear promptly.

Internal packing list:

1. Crystal fittings + lamp holder body + accessory kit

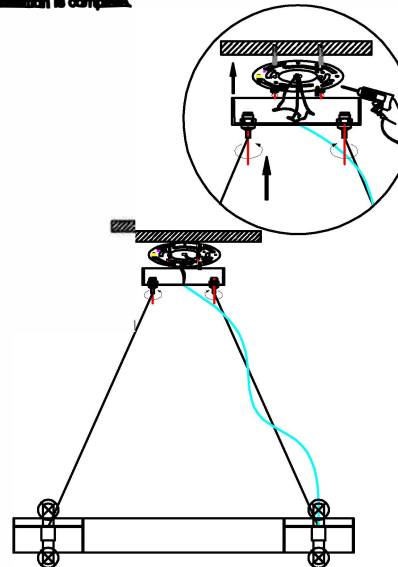


List



Assembly of light source and lamp body:

- (1) Remove the hanging plate and link it to the ceiling.
- (2) Link the main power cable with the main cable of the lamp body and lock the ceiling plate.
- (3) Screw 20pcs E12 bulbs into the lamp head (not included in the product)
- (4) Adjust the wire length to the right position
- (5) Installation is complete.



Crystal & Lamp Body Assembly:

- (1) Take out the crystals and put them into the lamp body according to the serial number
- (2) Installation completed

