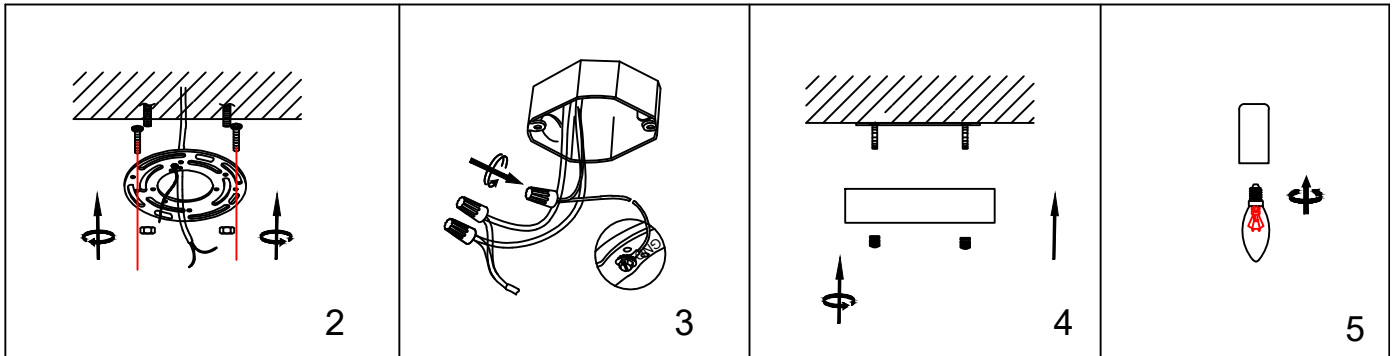
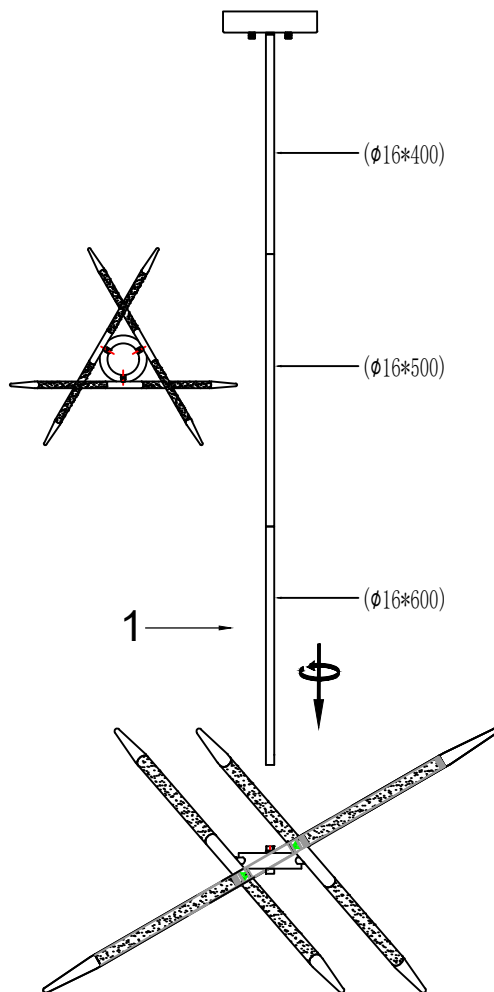


ASSEMBLY INSTRUCTIONS



REF/SKU : CH103

Light Source: LED*10 MAX 12W



Installation Program

1. Screw the straight tube to the lamp body in turn.
2. Fix the eight hanging board on the ceiling with screws.
3. Connect the wires, and use the finial to install the ceiling plate, and screw the lamp body on the hanging plate.
4. Fix the socket in turn.
5. Adjust the lamp arm to a proper angle and light it.

ATTENTIONS



1. Do not disassemble this product.
2. Do not strike or shake strongly.
3. Do not wipe with ethyl alcohol, gasoline or paint thinners etc.

Assembling Attentions:

1. Components should be on desk, without any defect or out of shape.
2. The bearing of mounting plate should be enough for the lamp, expansion screw is needed for big chandeliers.
3. Once weight of chandelier is over 3kg, it should be fixed with Embedded chain hoist to make sure not pressure to wire.
4. Incandescent light bulb can not be installed to combustible hook directly, can not cling to fabric shade, power can not higher than maximum marked on lamp.

Call : 1-770-416-8188

<https://ella-home.com>