

MANUAL SWEEPER

OWNER'S MANUAL



Item MS68

important
carefully before use.
store for future consultation

Warning! Safety rules must be observed at the time of use. For your own safety and the safety of the people, please read these instructions before using the product, please keep these instructions for future reference.

Training

Please read carefully the way of use .you need know with orders and the correct use of the device. Don't let the **machine** to a person who has not read the book or for children. Local regulations may establish a minimum age for use of this device.

Keep in mind that the operator or user, or the user is responsible for accidents and damages caused to other persons or their property.

Preparation

We recommend that you wear sturdy shoes and long pants to use this device. Do not operate the device barefoot or wear open toed shoes.

Inspect the area where the broom is to be used, and remove any objects that could cause damage to the device.

Always check visually prior to use, the accessories are not worn or damaged. Replace accessories worn or damaged bolts by full packages in order to preserve the balance.

Do not use the appliance so that people (including children) or pets are in close proximity.

The device can be used on flat surfaces and farms.

Always wear a dust mask and footwear during use of the device.

Operation

Get the device operational only in the light of day or a good artificial lighting.

Do not use the appliance accessories damaged.

Always make sure your balance on the slopes. We recommend the use of the **machine** on the ground or smooth surfaces 15 degrees of slope.Walk, don't rush.

Hold the **machine** with both hands on the handle when you pull or push. This ensures a safe handling.

Clean up the slopes at right angles, not up and down.

Be extremely careful when changing direction on the slope.

Be very careful when you go back and get the machine to you.

Do not use on steep slopes

Specific risks may arise when working in soil tough. Device can speed up suddenly or blocked completely.

Before using the device, and after shock, look for signs of wear or damage and repair if necessary.

Keep hands and feet away from the rotating accessories anytime. Don't put your hands or feet near the rotary parts.

Watch out for injuries to the foot and hands due to the accessories.

Maintenance and storage

Follow the instructions for maintenance and repair of the device. Do not change the product.

The information on the interview and repairs are included in the manual.

Maintain all nuts, bolts and screws tight, to be sure the product is in good working condition.

Replace the worn out or damaged parts of the safety .use as accessories and spare parts, as recommended by the manufacturer.

Inspect and maintain the product on a regular basis. get the device only by a qualified professional or a professional service center.

When it is not in use, keep the device out of the reach of children.

The residual risk











Even if you are using the device in accordance with the standards of safety, risk of bodily injury and property damage still exist. The method of construction and operation of the tool, you can be at risk:






Damage to property and persons caused by sudden impact, broken or the accessories of the machine with hidden objects during use.

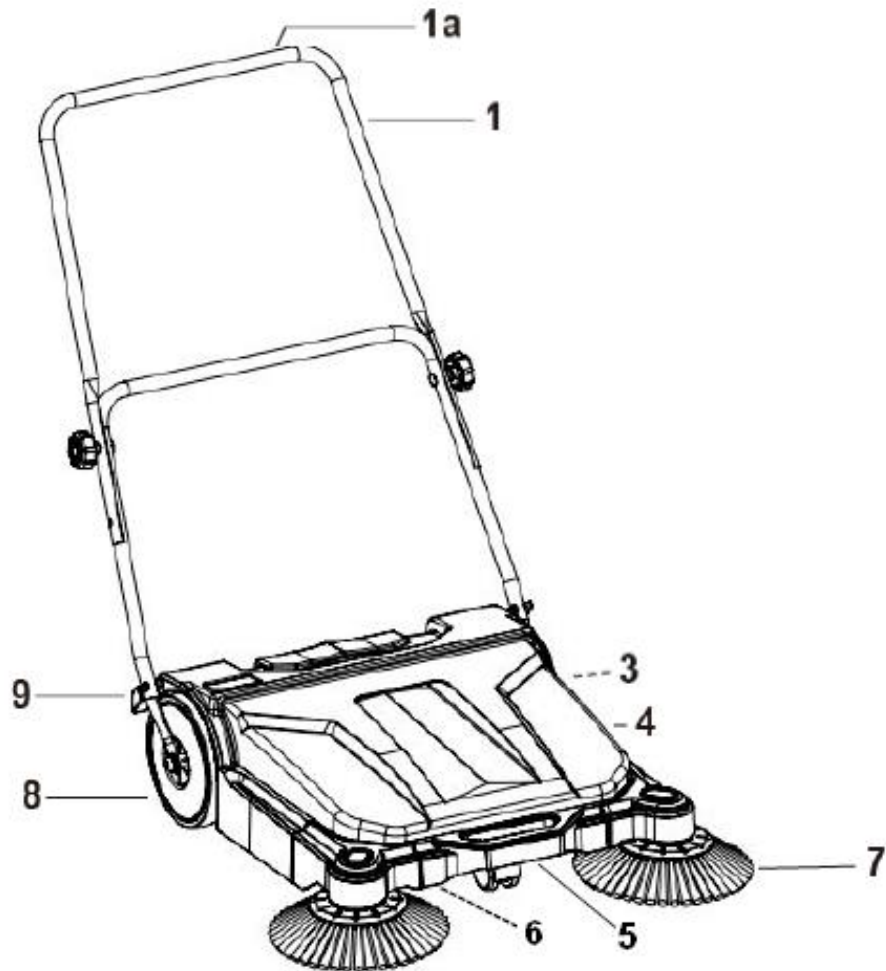
Damage to property and persons from the projection of objects.

Symbols

In the apparatus, on the data plate and on the instructions for use, you will find, among others, the following abbreviations and symbols you should familiarize yourself with their meanings in order to reduce the risk of personal injury and damage to property.

mm kg l	Millimetre kg liter	km/h m ² /h	Kilometer per hour Square meter per hour
	Lock: to shake or block		Cut: to loosen
	Note/notice		Attention/danger
	Read the manual.		Wear eye protection
	Wear a dust mask		Wear protective gloves
	Wear shoes security non ship		Wear protection around the body.

	<p>Clean up the slopes at right angles, not up and down.</p>
	<p>The objects are projected by the device user may strike or other people. Please in what other people and animals remain at a safe distance from the machine when it is running. In general, the children are not to come near the area where the device is located.</p>
	<p>Inspect the area in which the device is to be used, and remove all items can be displayed by the device. If the objects are hidden during operation and stop operating, and remove the object.</p>
	<p>The risk of entanglement of the feet, keep your feet away moving parts.</p>
	<p>Keep hands and feet away from the rotating parts - danger injury. You want to make sure that the tool, and all the moving parts are stopped in the cleaning, repair or inspection.</p>



- 1. Upper handle bar
 - a. handle
 - b. bolt*: M8x40(x 2)
 - c. hockey puck*(x 2)
 - d. button* (x 2)
- 2. Bottom bar handle
- 3. Roller brush
 - a. transmission belt
- 4. Dust collector

- 5. Carrying handle
- 6. Roulette
- 7. Brush for cleaning
 - a. Vis*: ST3.9X16
 - b. Boot disk
- 8. Wheel
 - a. axle
 - b. cap (x 2)
- 9. Support

General

Width of operation	:680 mm
Recommended speed	:4 km/h (1,1 m/s)
Ability to scan (4 km / h)	:2800 m ² /h
The volume of dust collector	:12l
Roller brush	: Ø 108 mm x 380 mm
Brush for cleaning	: Ø 230 mm
Weight	: 11 kg
Dimension (L x l x H)	: 575 x 215 x 585 mm

Unpacking

Take out the parts of the package and put it on a flat surface.

Remove all packaging materials and accessories supply, as the case may be.

The product is complete, and in good condition. If a piece is missing or damaged , do not use the device and contact the store product use incomplete or purchase.

The damage may represent a danger to both goods and individuals.

Check that you possess all the necessary accessories for the assembly and use of the device.

This is also the appropriate personal protective equipment.

Accessories required

(not available)

Personal protective equipment

Appropriate

The appropriate head screwdriver

Brush for cleaning

Put the machine in the disc to access to training (7b).

Line up the holes and move the cleaning brush disc [7] on [b] training.

Fix it with screws (7) with the phillips head screwdriver (fig. 1, right).

Go back to the machine.

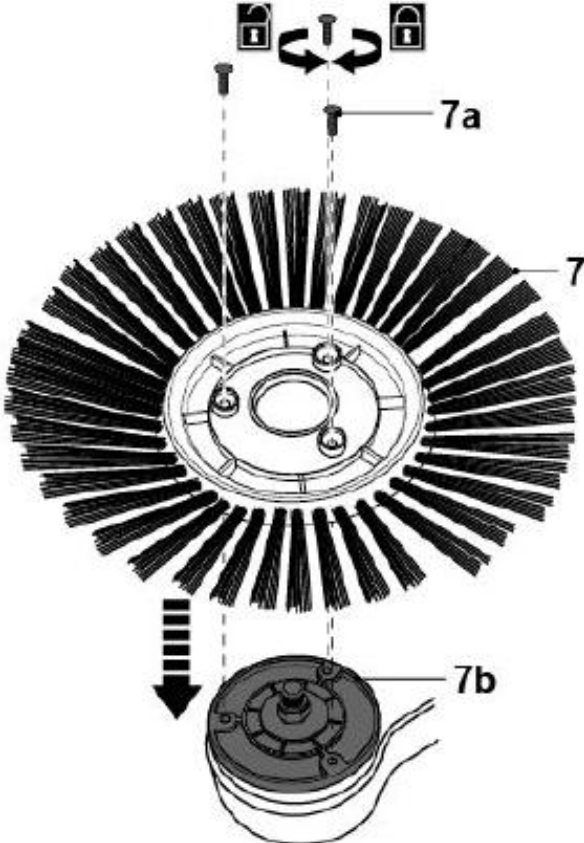


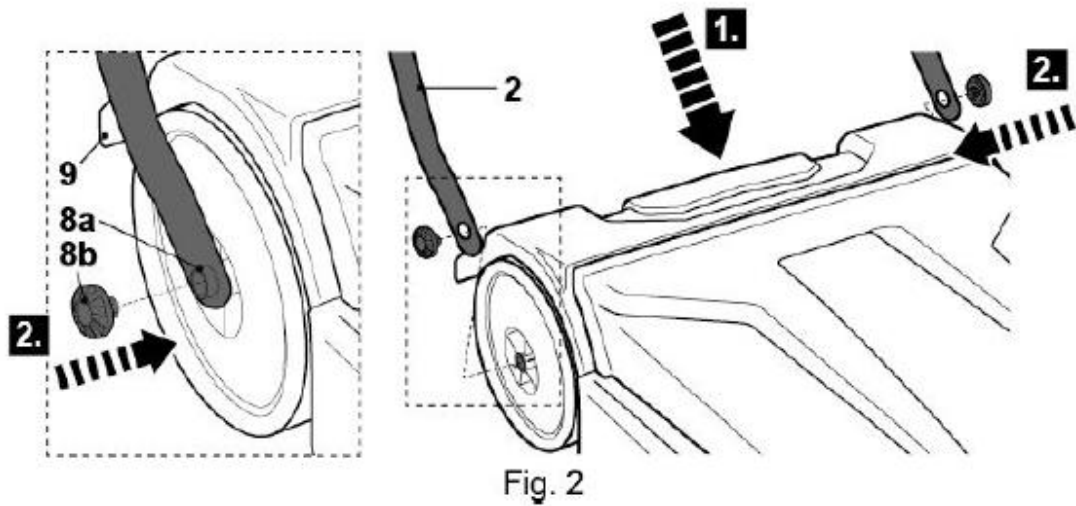
Fig. 1

Bottom bar of the handle

Hook holes on the ends of the bottom bar of the handle axle [2] [8] (figure 2, step 1).

Make sure that the bottom of the handle bar is correctly based on the materials (9) and can be moved in forward and rearward directions freely.

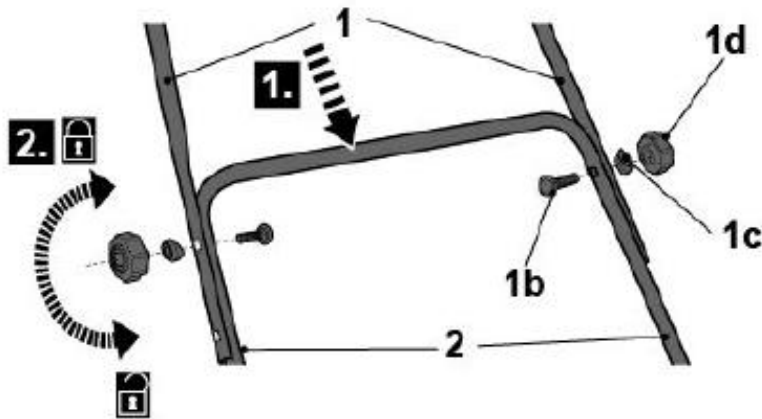
Attach the caps (8b) to the axle (8) and push them to the end (figure 2, step 2).



Above the handle bar

Line up the holes and fix the top bar of the handle [1] on the bottom bar of the handle (2) (fig. 3, step 1).

Secure connection with bolts (1b), (1c) and washers (1d) button (fig. 3, stage 2 and 3).



The top bar of the handle [1] can be attached in two different heights according to the intended application (Fig. 4).

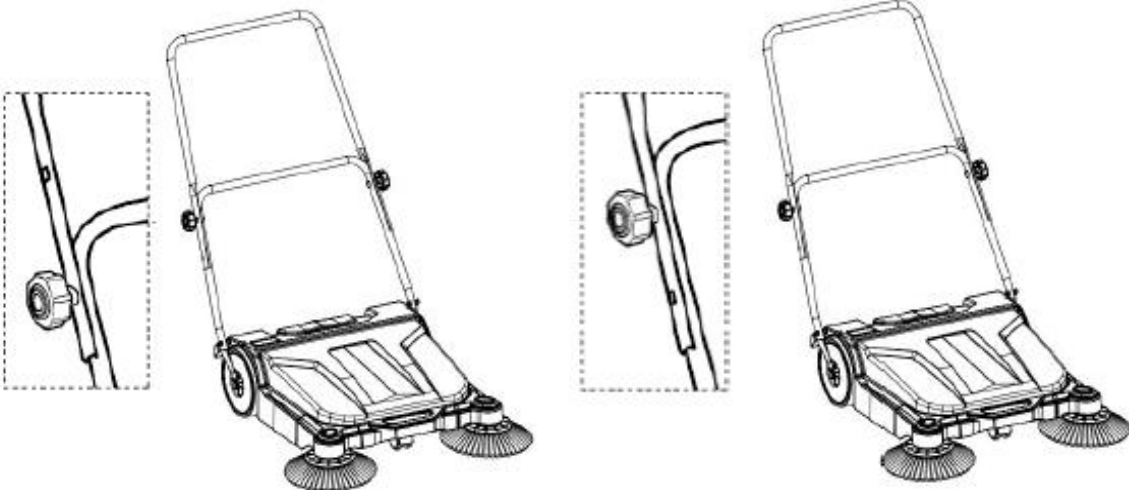


Fig. 4