



We strive to ensure that our products are of the highest quality and free of manufacturing defects or missing parts. However, if you have any problems with your new product,

DO NOT RETURN IT TO THE STORE,

please contact us toll free @:

1-888-996-2729

FAX: 1-866-873-3531

pooltables@escaladesports.com

Or write to:

Escalade Sports

Customer Service Department

P.O. Box 889

Evansville IN 47706

Please visit our Web site at:

www.escaladesports.com

Please have your model number when inquiring about parts.

When contacting Escalade Sports please provide your model number, date code (if applicable) and part number if requesting a replacement part. These numbers are located on the product, packaging, and this owners manual.

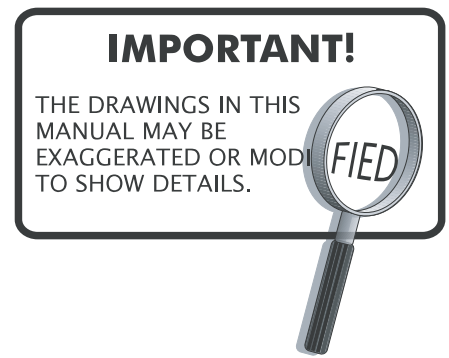
Your Model Number **G05302W/F**

Date Code **2-45-G05302W/F- -FS**

Purchase Date _____

PLEASE RETAIN THIS INSTRUCTION MANUAL FOR FUTURE REFERENCE

**IMPORTANT! READ EACH STEP
IN THIS MANUAL BEFORE YOU
BEGIN THE ASSEMBLY.**



TWO ADULTS ARE REQUIRED TO ASSEMBLE THIS 3 IN 1 BILLIARD, TABLE TENNIS, DINING TABLE

Tools Required:

Allen Wrench T1 Included with the Hardware Kit
Furniture Polish and Soft Cloth
Needle Nose Pliers
Small Ball-peen Hammer
Carpenters Level

An electric screwdriver is helpful in assembly. However, please set at low torque and use extreme caution with an electric screwdriver because you could overtighten the hardware and strip the screws.

Assembly Tips

Make sure you understand the following tips before you begin to assemble your 3in1 billiard table.

1. Start all bolts by hand before tightening.
2. Some drawings or images in this manual may not look exactly like your product. Please read and understand the text before starting each assembly step.



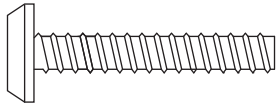
ATTENTION:

**READ AND FOLLOW ALL ASSEMBLY, OPERATION,
AND SAFETY INSTRUCTIONS CAREFULLY. AT LEAST
TWO ADULTS ARE NEEDED TO ASSEMBLE THIS 3 in 1
BILLIARD TABLE .**

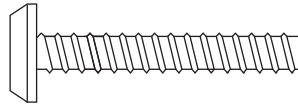
HARDWARE IDENTIFIER

(To Scale)

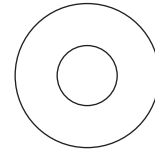
HARDWARE KIT IS PACKED INSIDE OF CARTON A



H1 = 16 pcs
5/16" x 1-1/4"
Allen Head Bolt



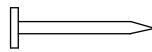
H2 = 48 pcs
5/16" x 1-3/8"
Allen Head Bolt



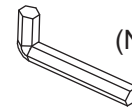
H3 = 64 pcs
5/16" x 3/4"
Flat Washer



H4 = 64 pcs
5/16" x 1/2"
Lock Washer



H5 = 36 pcs
1/24" x 3/4" Nail

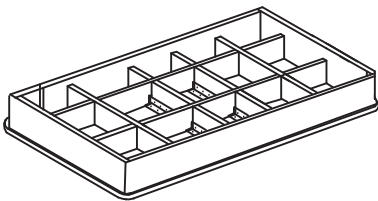


(Not to Scale)

T1 = 1 pc
Allen Wrench

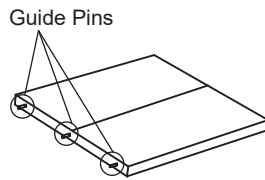
PARTS IDENTIFIER

(Not To Scale)



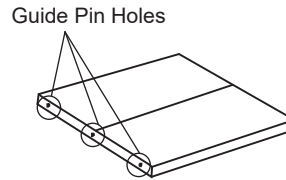
P1 = 1 pc
Main Table Cabinet

PACKED INSIDE OF CARTON A



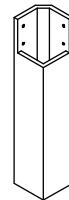
P2 = 1 pc
A Table Tennis Top
With Guide Pins

PACKED INSIDE OF CARTON A



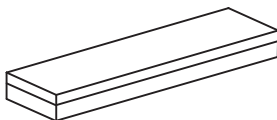
P3 = 1 pc
B Table Tennis Top
With Guide Pin Holes

PACKED INSIDE OF CARTON A



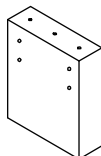
P4 = 4 pcs
Table Leg

PACKED INSIDE OF CARTON B



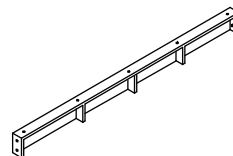
P5 = 2 pcs
Bench Seat

PACKED INSIDE OF CARTON B



P6 = 4 pcs
Bench Leg

PACKED INSIDE OF CARTON A



P7 = 4 pcs
Bench Support
(Packed inside P5 Bench Seats)

PACKED INSIDE OF CARTON B

PARTS IDENTIFIER

(Not To Scale)



P8= 4 pcs
Corner Pocket

PACKED INSIDE OF CARTON A

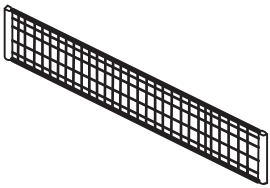


P9= 2 pcs
Middle Side Pocket

PACKED INSIDE OF CARTON A

ACCESSORIES IDENTIFIER

(Not To Scale)



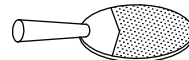
A1= 1 pc
Table Tennis Net

PACKED INSIDE OF CARTON A



A2= 2 pcs
Table Tennis Net Post

PACKED INSIDE OF CARTON A



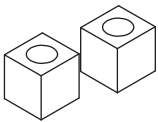
A3= 2 pcs
Table Tennis Paddle

PACKED INSIDE OF CARTON A



A4= 2 pcs
Table Tennis Ball

PACKED INSIDE OF CARTON A



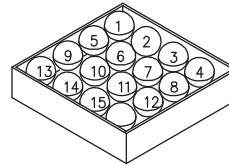
A5= 2 pcs
Cue Chalk

PACKED INSIDE OF CARTON A



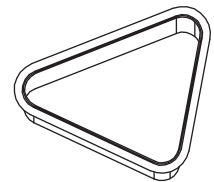
A6= 2 pcs
Cue Stick

PACKED INSIDE OF CARTON B



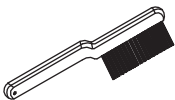
A7= 1 set
Billiard Ball

PACKED INSIDE OF CARTON A



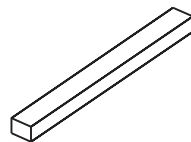
A8= 1 pc
Triangle

PACKED INSIDE OF CARTON A



A9= 1 pc
Pool Playfield Brush

PACKED INSIDE OF CARTON A



A10= 2 pcs
Table Tennis
Playfield Support
(Packed inside P5 Bench Seats)

PACKED INSIDE OF CARTON B



A11= 2 pcs
Bench Carpet
(Packed inside P5 Bench Seats)

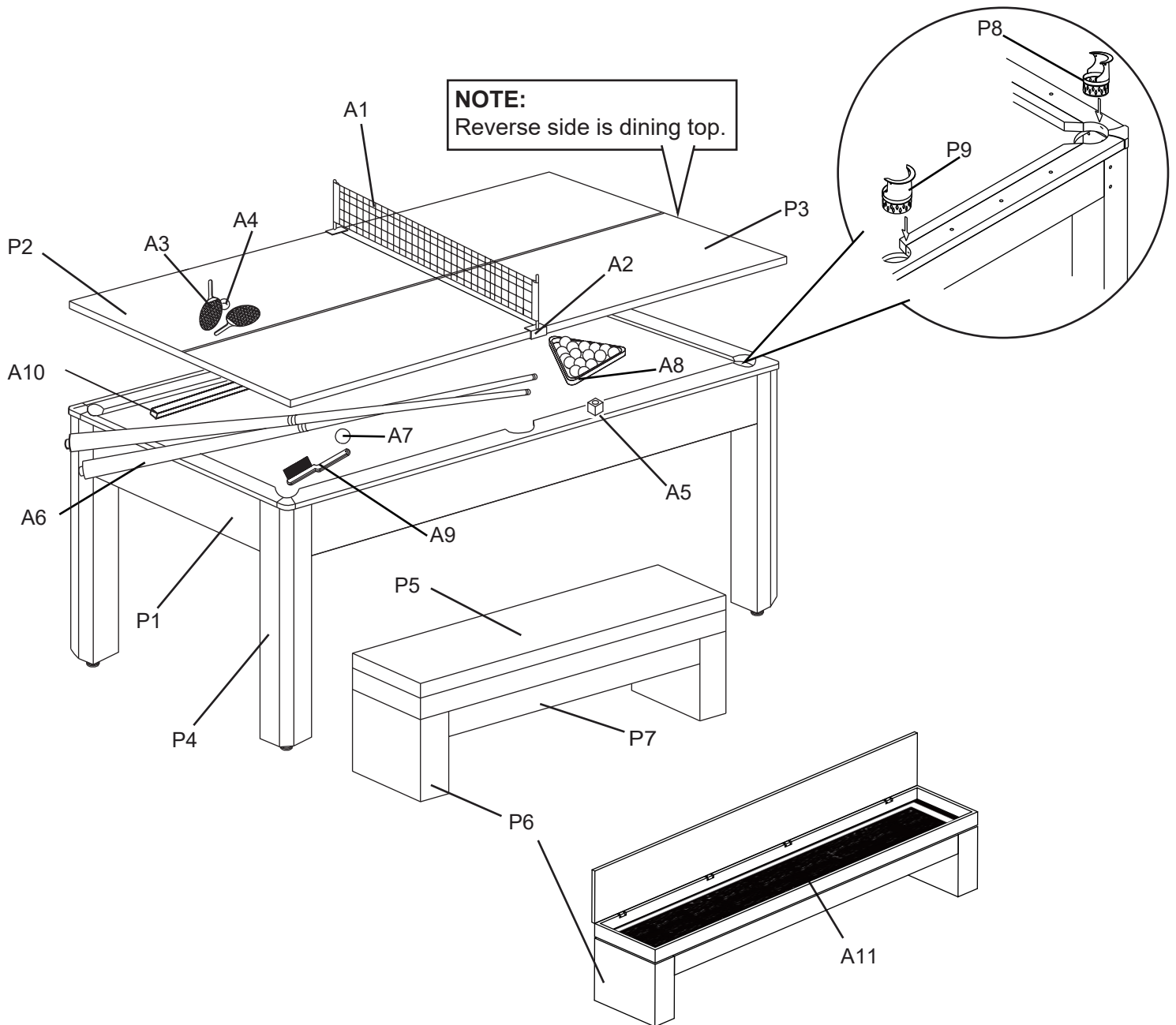
PACKED INSIDE OF CARTON B

3 IN 1 BILLIARD, TABLE TENNIS, DINING TABLE

Parts List

(Not To Scale)

All items are packaged in larger Carton A, except, P4, P5, P7, A6, A10 and A11 are packaged in smaller Carton B.



PARTS REQUIRED

16pcs - **H1** Allen Head Bolt

16pcs - **H3** Flat Washer

16pcs - **H4** Lock Washer

1pc - **P1** Main Table Cabinet

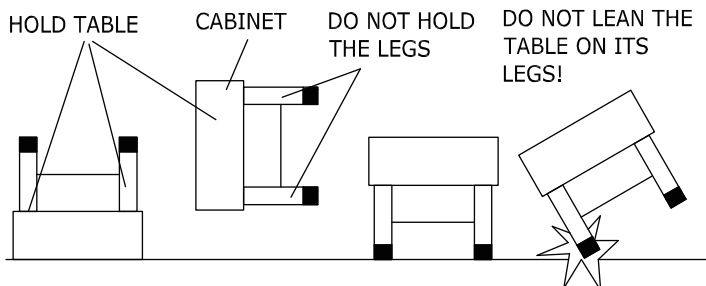
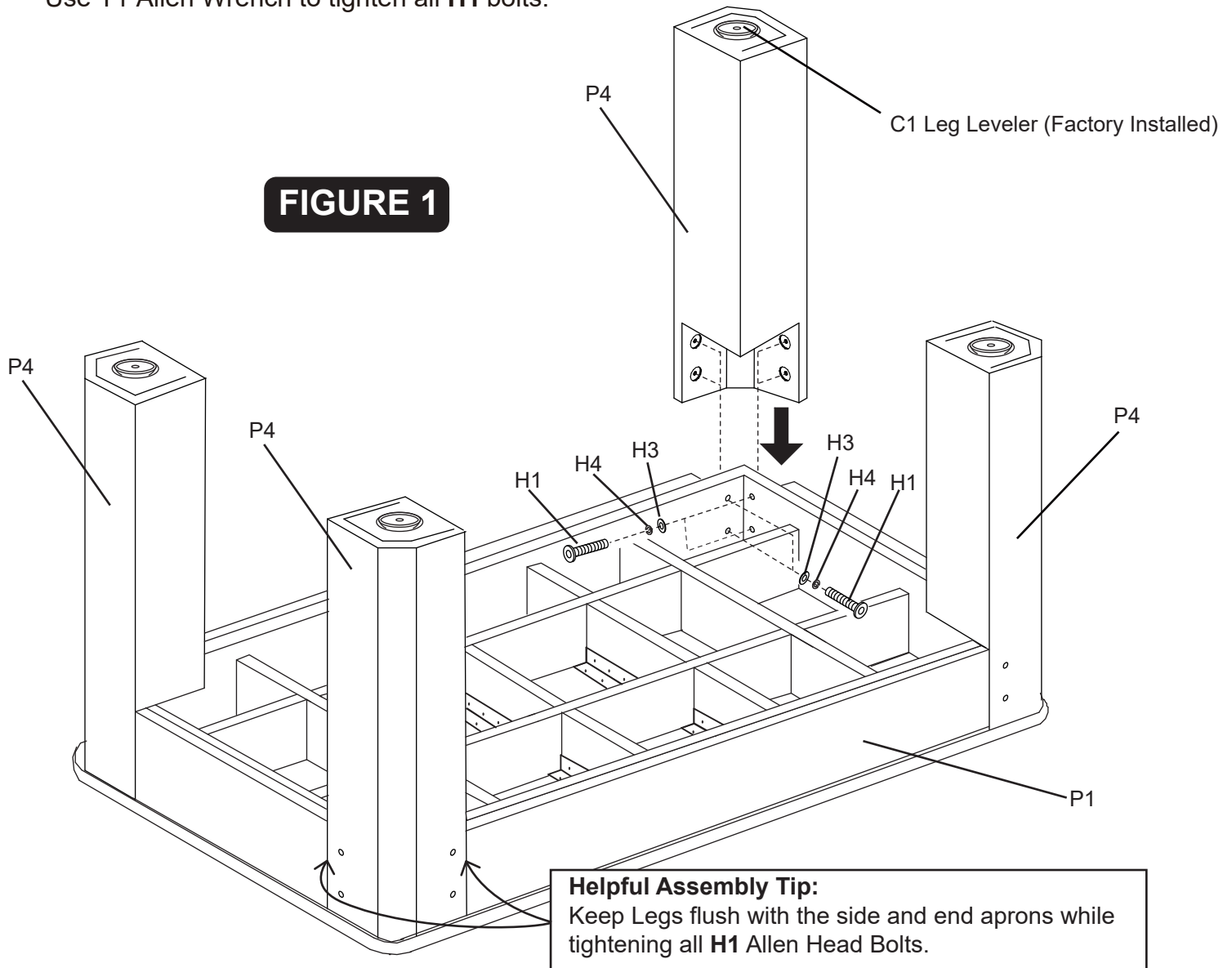
4pcs - **P4** Table Leg

1pc - **T1** Allen Wrench

STEP 1:

Attach **P4** Legs onto the Side Aprons and the End Aprons using **H1** Bolts, **H4** Lock Washers and **H3** Flat Washers as shown in **FIGURE 1**.

Use T1 Allen Wrench to tighten all **H1** bolts.



CAUTION:

Six strong adults are recommended to flip the table as shown.

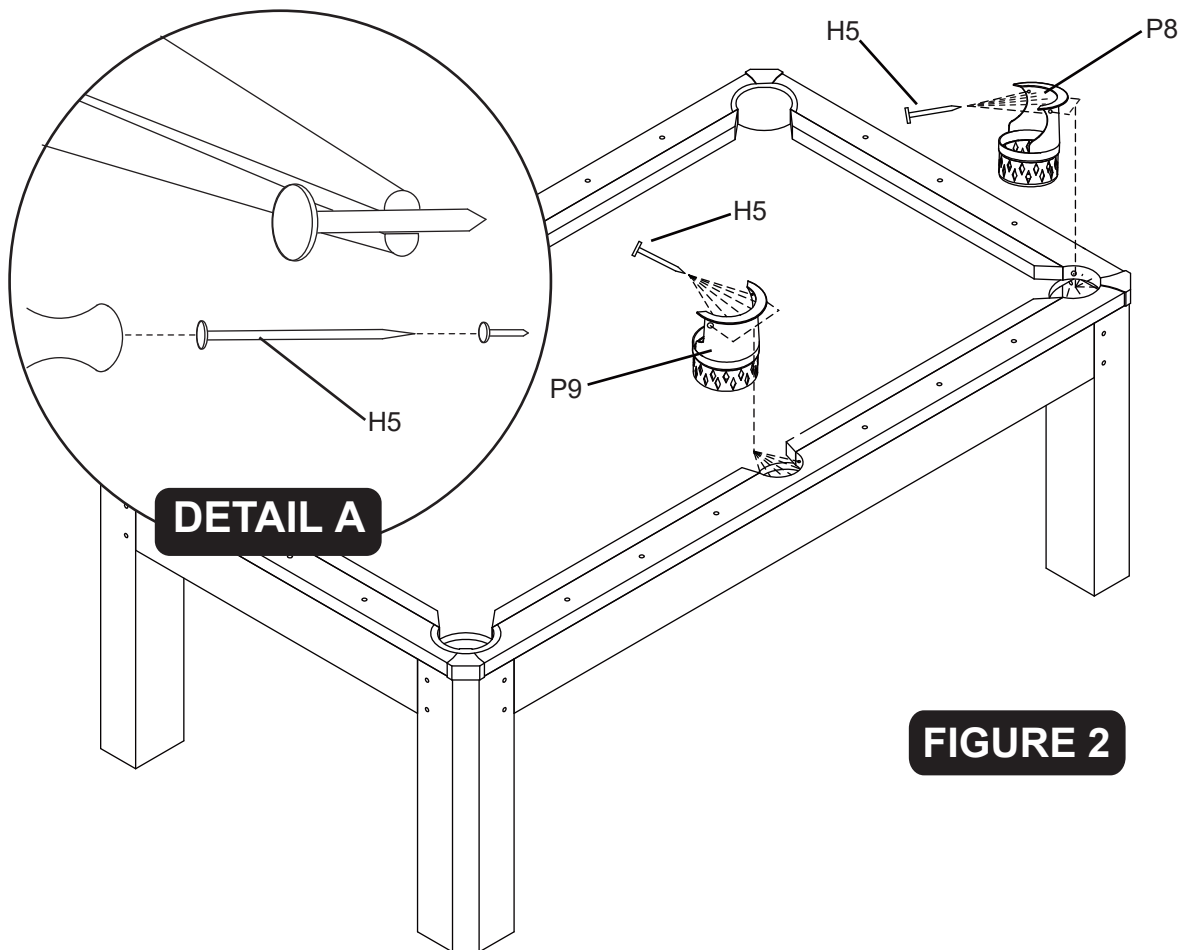
1. Grab the table on the ground.
2. Turn the table over.
3. Place it on all four legs at the same time onto the floor.

PARTS REQUIRED

- 36pcs - **H5** Nails
- 4pcs - **P8** Corner Pocket
- 2pcs - **P9** Middle Side Pocket

STEP 2:

Insert the **P8** Corner Pockets into each of the corner holes. Insert the **P9** Middle Side Pockets into each of the middle holes. Attach drop pockets to rails by using six **H5** Nails per pocket. Hold nails with a pair of Needle Nose Pliers and tap them into the plastic pocket with a small ball peen hammer as shown in **DETAIL A & FIGURE 2**. Place nails about 1/2 inch below the top of pocket so the balls will not hit the heads of the nails and get chipped. Once nails have been started into plastic pocket, hammer them in until the heads are flush with the plastic pocket. Use the "BALL" part of the ball-peen hammer to slightly countersink the nail heads.

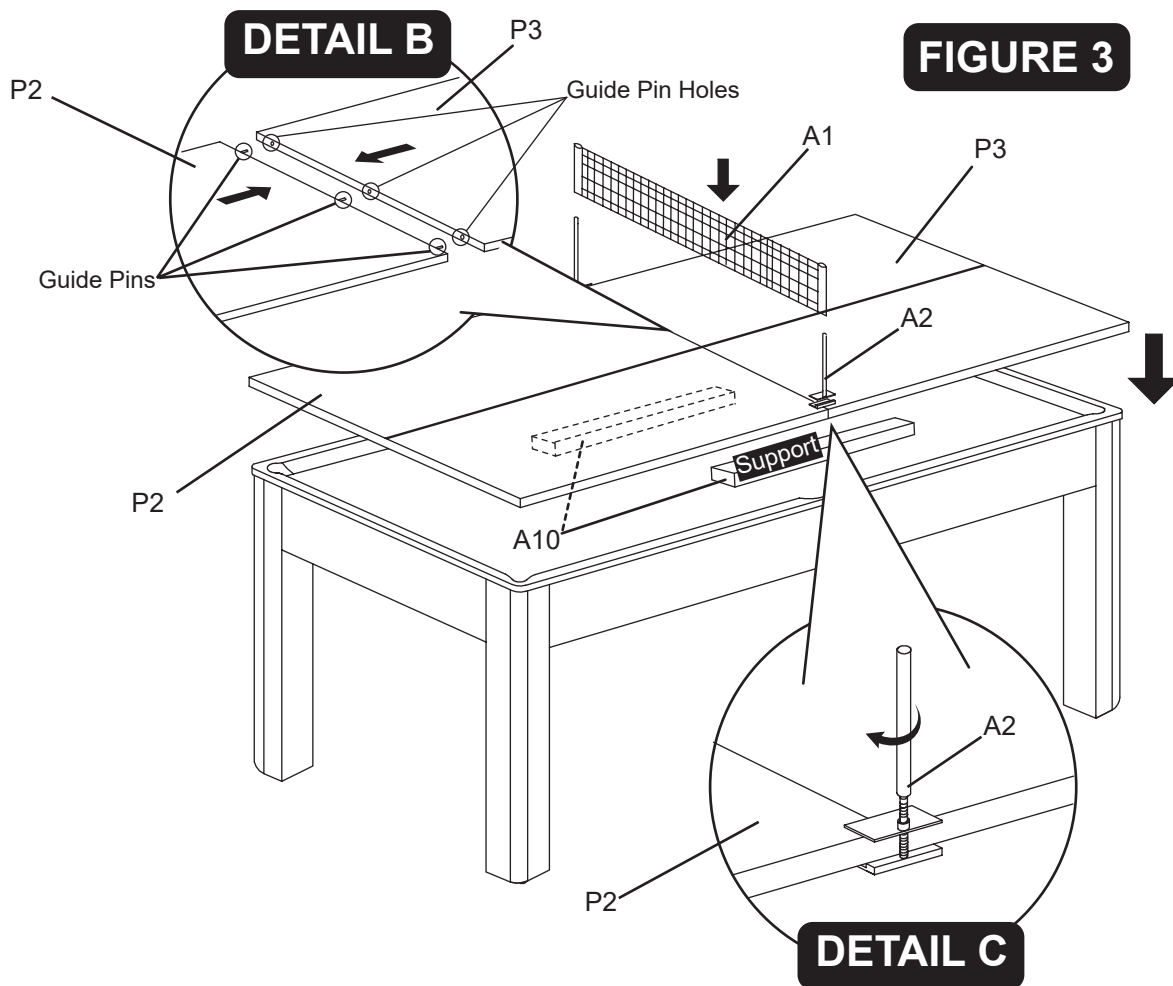


PARTS REQUIRED

- 1pc - **P2** A Table Tennis Top With Guide Pins
- 1pc - **P3** B Table Tennis Top With Guide Pin Holes
- 1pc - **A1** Table Tennis Net
- 2pcs - **A2** Net Post
- 2pcs - **A10** Table Tennis Playfield Support

STEP 3:

Using the guide pins carefully connect the **P2** A Table Tennis Top With Guide Pins to **P3** B Table Tennis Top With Guide Pin Holes as shown in **DETAIL B**. Place **A10** Table Tennis Playfield Supports between Table Tennis Top and Billiard table. Install **A1** Table Tennis Net by adjusting **A2** Net Post as shown in **DETAIL C** & **FIGURE 3**.



NOTE:

Using Dining Top:

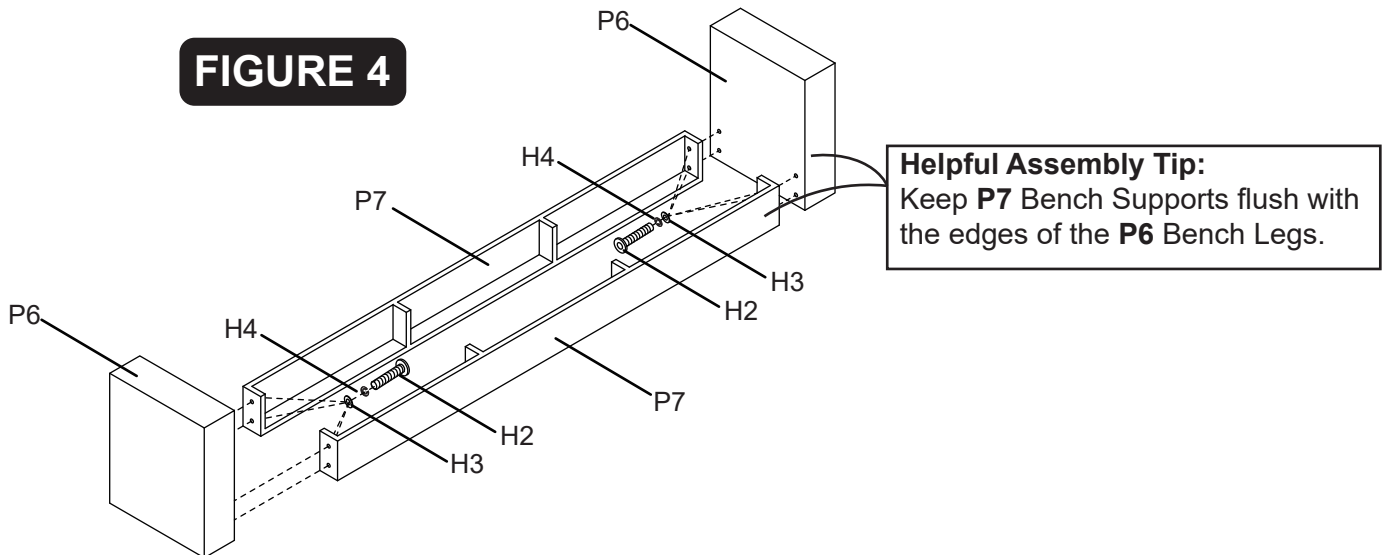
Remove Table Tennis Net and Net posts. Carefully separate the two playfield halves, flip the halves and push halves together using the guide pins and guide pin holes in each half top.

PARTS REQUIRED

- 48pcs - H2 Allen Head Bolt
- 48pcs - H3 Flat Washer
- 48pcs - H4 Lock Washer
- 4pcs - P6 Bench Leg
- 4pcs - P7 Bench Support
- 2pcs - P5 Bench Seat
- 2pcs - A11 Bench Carpet

STEP 4:

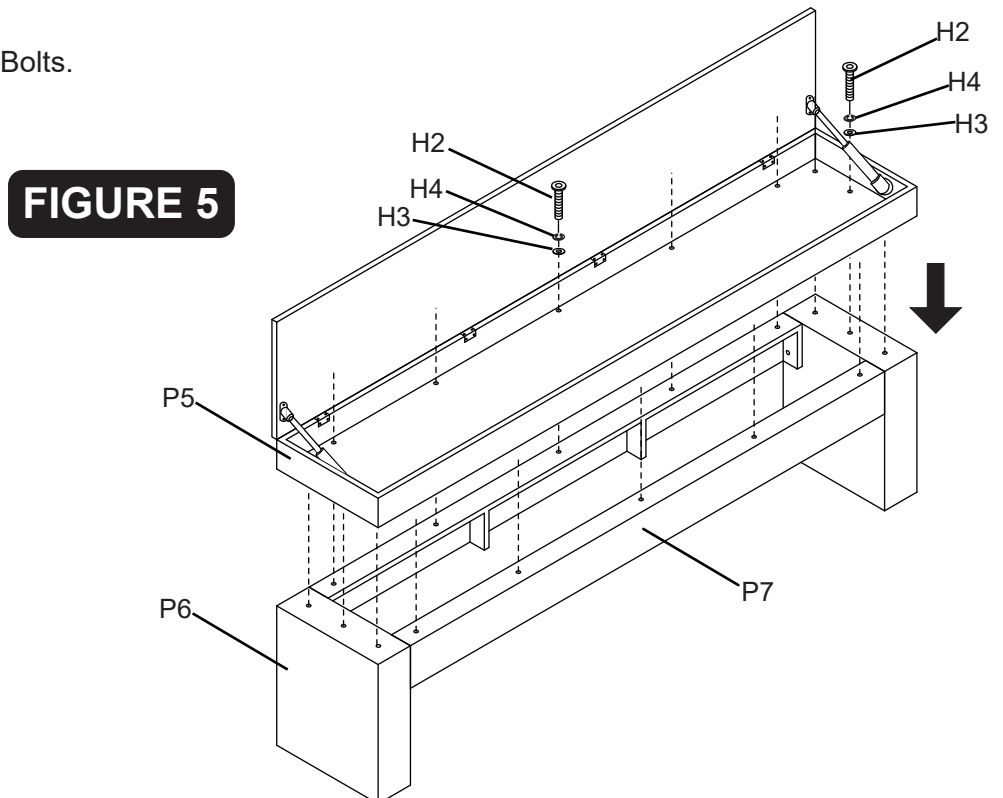
Attach **P6** Bench Legs to **P7** Bench Supports using **H2** Allen Head Bolts, **H3** Flat Washers and **H4** Lock Washers as shown in **FIGURE 4**. Tighten all **H2** Allen Head Bolts.



STEP 5:

Firstly, take the **A11** Bench Carpets out from the **P5** Bench Seats. Attach **P5** Bench Seat to the Leg assembly using **H2** Allen Head Bolts, **H3** Flat Washers and **H4** Lock Washers as shown in **FIGURE 5**.

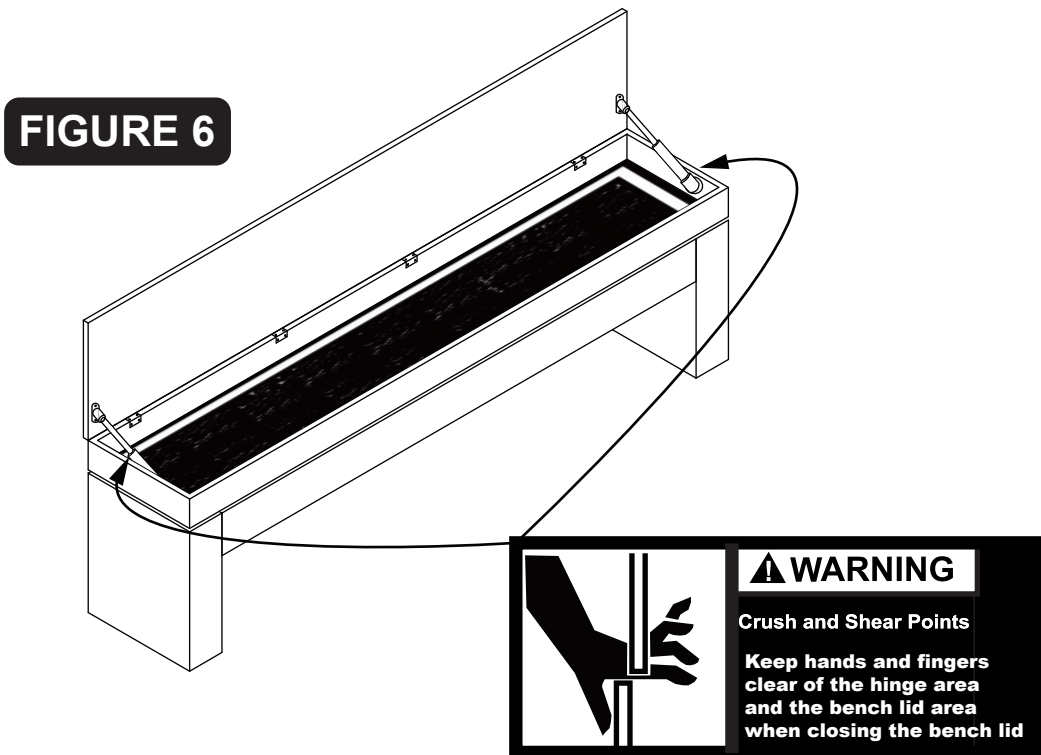
Tighten all **H2** Allen Head Bolts.



PARTS REQUIRED
2pcs - A11 Bench Carpet

STEP 6:

Install the **A11 Bench Carpet** into each bench as shown in **FIGURE 6**.



WARNING:

To prevent injury, exercise caution when opening and closing the bench lid.
DO NOT let bench lid drop shut.
DO NOT let children operate bench lid.
Be cautious when moving bench on floor, Lift bench ends to move.
DO NOT STAND ON BENCH SEAT.

Congratulations! You have now assembled your 3 in1 Billiard table. Please note the Care and Use instructions below to insure many years of trouble free use of your 3 in1 Billiard table.

CARE AND USE OF YOUR TABLE

1. Use spray furniture polish to clean all exterior surfaces of your pool table.
2. Use the table brush provided to clean the cloth on the table.
3. Use only a slightly damp soft cloth to clean the table tennis top (do not use Furniture Polish)
4. This product is intended for **INDOOR** use only .
5. **DO NOT** sit, climb or lean on the table.
6. **DO NOT** drag the table when moving it. This will damage the legs.
7. **DO NOT** set drinks on the table.
8. The purchase of a pool table cover will both protect and help keep clean the entire top of the pool table.
9. Lastly, using a carpenters level and the leg levelers, level table for best play.

PRODUCT PARTS LISTS

Part#	Description	Qty	Part#	Description	Qty
H1	5/16" x 1-1/4" Allen Head Bolt	16	P9	Middle Side Pocket	2
H2	5/16" x 1-3/8" Allen Head Bolt	48	A1	Table Tennis Net	1
H3	5/16" x 3/4" Flat Washer	64	A2	Net Post	2
H4	5/16" x 1/2" Lock Washer	64	A3	Table Tennis Paddle	2
H5	1/24" x 3/4" Nail	36	A4	Table Tennis Ball	2
T1	Allen Wrench	1	A5	Cue Chalk	2
P1	Main Table Cabinet	1	A6	Cue Stick	2
P2	"A" Table Tennis Top With Guide Pins	1	A7	Billiard Ball Set	1
P3	"B" Table Tennis Top With Guide Pin Holes	1	A8	Triangle	1
P4	Table Leg	4	A9	Pool Playfield Brush	1
P5	Bench Seat Assembly	2	A10	Table Tennis Playfield Support	2
P6	Bench Leg	4	A11	Bench Carpet	2
P7	Bench Support	4	C1	Leg Leveler (Factory Installed)	4
P8	Corner Pocket	4	C2	Dampener Piston (Factory Installed)	4
			C3	1/2" Phillips Head Hinge Screw (Factory Installed)	48
			K1	Hardware Kit	1
			M1	Instruction Manual	1

90 DAY LIMITED WARRANTY

This customer warranty extends to the original owner, on the purchase of any ESCALADE SPORTS Product (hereinafter referred as the "Product").

WARRANTY DURATION: This Product is warranted to the original owner, for a period of 90 days from the original purchase.

WARRANTY COVERAGE: ESCALADE SPORTS warrants to the original owner, this product to be free from defects in material and workmanship when used for the intended purpose under normal use and conditions. THIS WARRANTY IS VOID IF THE PRODUCT HAS BEEN DAMAGED BY ACCIDENT, UNREASONABLE USE, NEGLIGENCE, IMPROPER SERVICE, FAILURE TO FOLLOW INSTRUCTIONS PROVIDED WITH THE PRODUCT OR OTHER CAUSES NOT ARISING OUT OF DEFECTS IN MATERIAL AND WORKMANSHIP.

WARRANTY REPLACEMENT: During the above 90 day warranty period, ESCALADE SPORTS shall provide replacement components or replace with a comparable product at our choosing. If product is defective under normal use and proper care, please contact our Customer Service Dept.

1-866-556-2757 / Customer Service Dept.

Or Write us at:

Escalade® Sports, Inc. - P.O. Box 889, Evansville, IN 47706

Attn: Customer Service Dept.

Or E-mail us at:

customerservice@escaladesports.com

Other than shipping requirements no charge will be made for such replacement of in-warranty Products.

WARRANTY DISCLAIMERS: ANY IMPLIED WARRANTIES ARISING OUT OF THIS SALE, INCLUDING BUT NOT LIMITED TO THE IMPLIED WARRANTIES OF MERCHANTABILITY AND FITNESS FOR A PARTICULAR PURPOSE, ARE LIMITED IN DURATION TO THE ABOVE 90 DAY PERIOD. ESCALADE SPORTS SHALL NOT BE LIABLE FOR LOSS OF USE OF THE PRODUCT OR OTHER CONSEQUENTIAL OR INCIDENTAL COSTS, EXPENSES OR DAMAGES INCURRED BY THE CONSUMER OF ANY OTHER USE.

Some states do not allow the exclusion or limitation of implied warranties or consequential or incidental damages, so the above limitations or exclusions may not apply to you.

LEGAL REMEDIES: This warranty gives you specific legal rights and you may also have other rights which may vary from state to state.