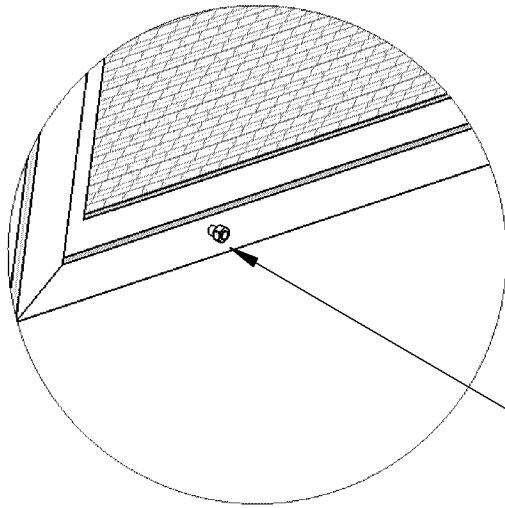
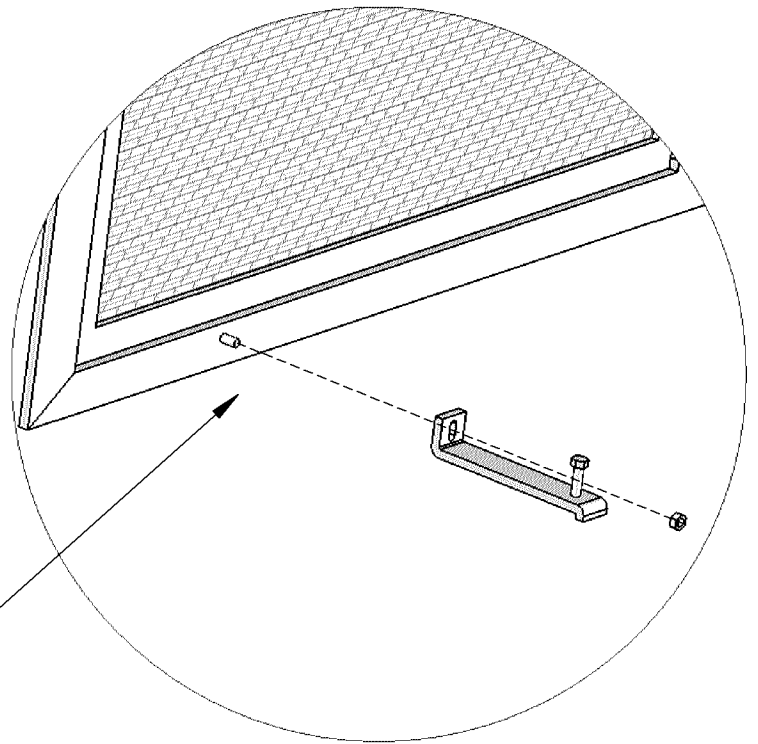


ASSEMBLY INSTRUCTIONS

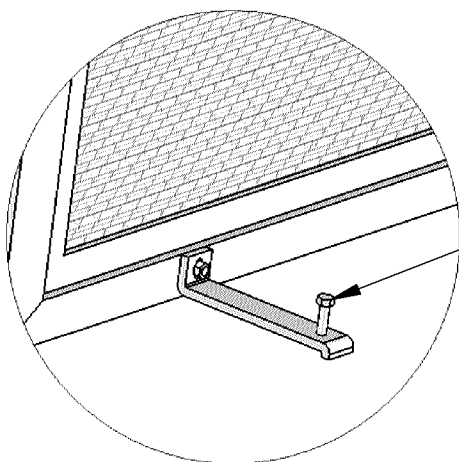
REAR FOOT



REMOVE NUT



SLIDE FOOT ONTO
STUD AND TIGHTEN NUT



ADJUST SCREEN TO CORRECT
ANGLE (IF NEEDED)