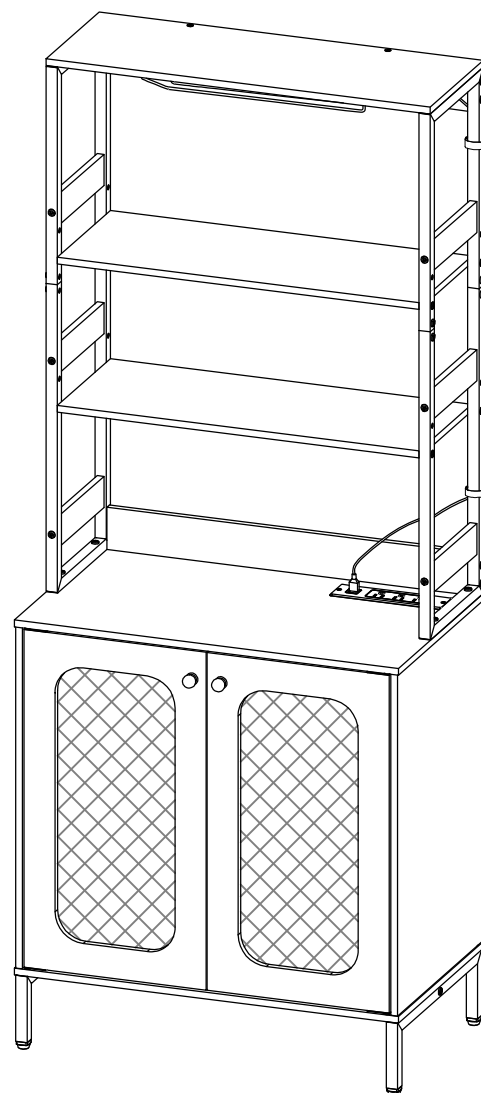


Wine Cabinet

ASSEMBLY INSTRUCTION



(Note:Two people are recommended to install, which will greatly improve your installation efficiency.)

✉ support@aheaplus.com

Thank you for purchasing our products.

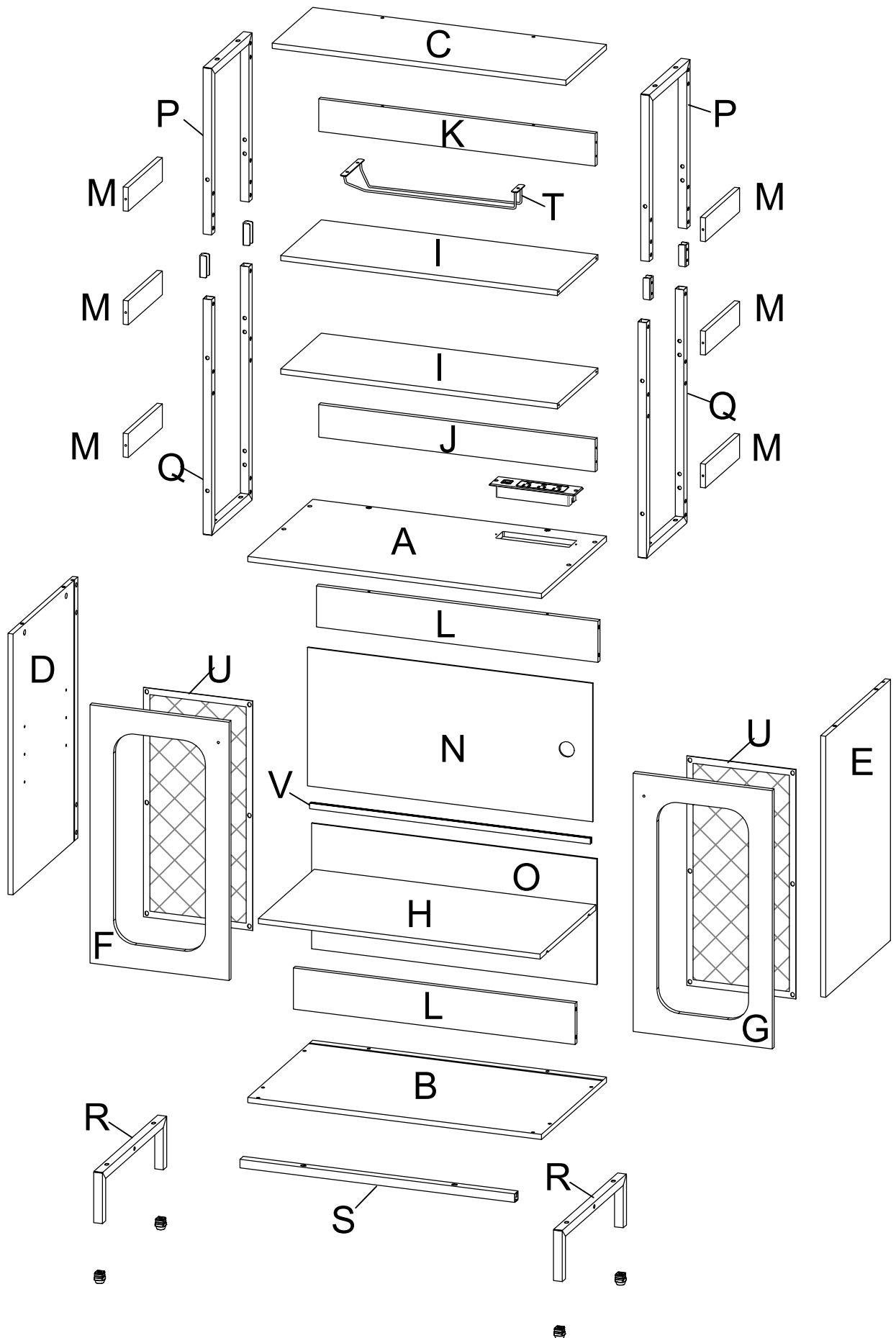
As a reliable seller, we have been pursuing to provide customers with 100% satisfied products and services, so we hope that you will enjoy this shopping experience.

If you find any damage, missing parts, or dissatisfaction after receiving the product, please feel free to contact us the first time, We will provide you with a 100% satisfactory solution.

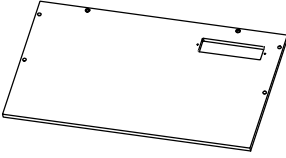
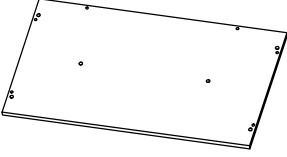
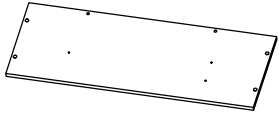
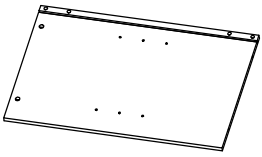
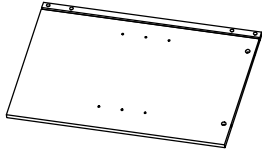
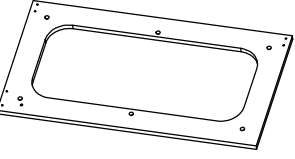
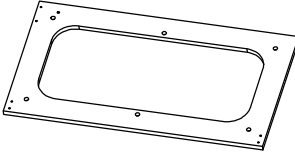
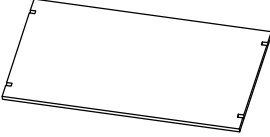
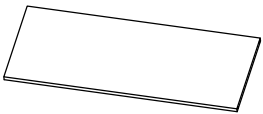




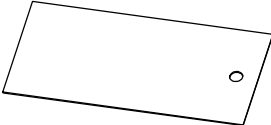

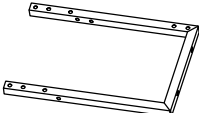
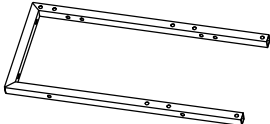
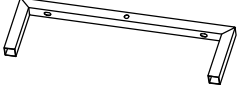


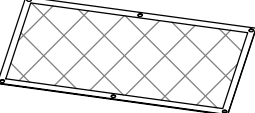
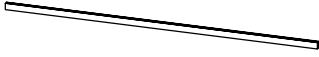
Thanks again for your order. And please feel free to contact us from Amazon or support@aheaplus.com in case of any problem regarding assembling or the product itself. We will do everything we can to resolve it.

TIPS:

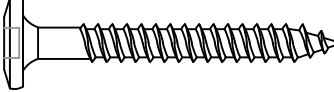
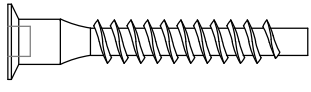
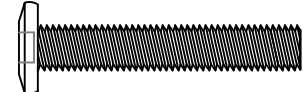
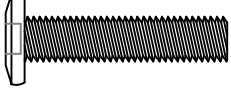
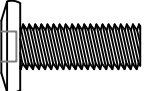
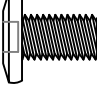

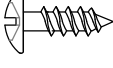

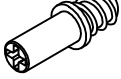
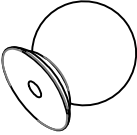
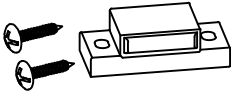
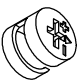
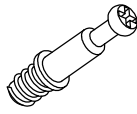

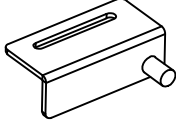
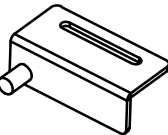
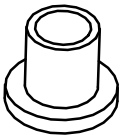
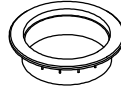
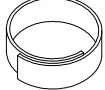
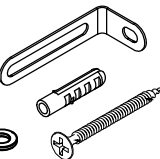
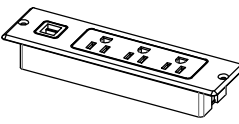
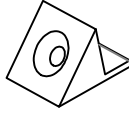
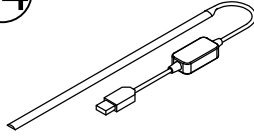


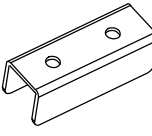
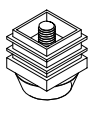
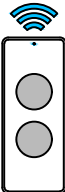

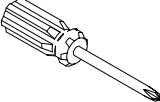
1. Please read this instruction manual carefully, follow it step by step and pay attention to the notes, you will assemble it quickly, safely and correctly.
2. Two people are recommended to install, which will greatly improve your installation efficiency.
3. Put the screws in loosely until all pieces are together and then tighten them all. It will save your time if you make a mistake while installing



PART LIST

<p>A x 1pc</p> 	<p>B x 1pc</p> 	<p>C x 1pc</p> 	<p>D x 1pc</p> 
<p>E x 1pc</p> 	<p>F x 1pc</p> 	<p>G x 1pc</p> 	<p>H x 1pc</p> 
<p>I x 2pcs</p> 	<p>J x 1pc</p> 	<p>K x 1pc</p> 	<p>L x 2pcs</p> 
<p>M x 6pcs</p> 	<p>N x 1pc</p> 	<p>O x 1pc</p> 	<p>P x 2pcs</p> 
<p>Q x 2pcs</p> 	<p>R x 2pcs</p> 	<p>S x 1pc</p> 	<p>T x 1pc</p> 
<p>U x 2pcs</p> 	<p>V x 1pc</p> 		

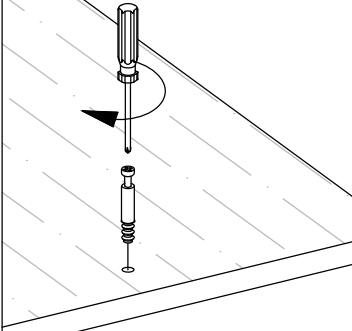
HARDWARE LIST

<p>①</p>  <p>M5x45 34 pcs</p>	<p>②</p>  <p>M6x40 10 pcs</p>	<p>③</p>  <p>M6x35 2 pcs</p>	<p>④</p>  <p>M6x27 14 pcs</p>
<p>⑤</p>  <p>M6x16 8 pcs</p>	<p>⑥</p>  <p>M6x10 12 pcs</p>	<p>⑦</p>  <p>M4x18 2 pcs</p>	<p>⑧</p>  <p>M3.5x12 8 pcs</p>
<p>⑨</p>  <p>M3x12 25 pcs</p>	<p>⑩</p>  <p>Ø6x20 4 pcs</p>	<p>⑪</p>  <p>Ø22x25 2 pcs</p>	<p>⑫</p>  <p>M3x16 2 pcs</p>
<p>⑬</p>  <p>Ø12 12 pcs</p>	<p>⑭</p>  <p>M6x28 12 pcs</p>	<p>⑮</p>  <p>2 pcs</p>	<p>⑯</p>  <p>2 pcs</p>
<p>⑰</p>  <p>2 pcs</p>	<p>⑱</p>  <p>4 pcs</p>	<p>⑲</p>  <p>Ø35 1 pc</p>	<p>⑳</p>  <p>2 pcs</p>
<p>㉑</p>  <p>M4x40 2 pcs</p>	<p>㉒</p>  <p>1 pc</p>	<p>㉓</p>  <p>8 pcs</p>	<p>㉔</p>  <p>50cm 1 pc</p>
<p>㉕</p>  <p>2 pcs</p>	<p>㉖</p>  <p>4 pcs</p>	<p>㉗</p>  <p>20x20xM6 4 pcs</p>	<p>㉘</p>  <p>20x20xM6 4 pcs</p>
<p>㉙</p>  <p>RF Remote Control 1 pc</p>	<p>㉚</p>  <p>M4 1 pc</p>	<p>㉛</p>  <p>1 pc</p>	

Using Camlocks

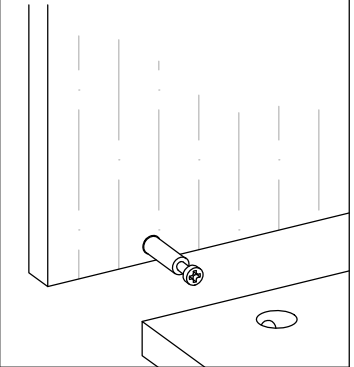
Connect the male camlock as directed in the assemble instructions using a scwdriver.

1 DO NOT OVER TIGHTEN



Push the male camlock into the entry hole.

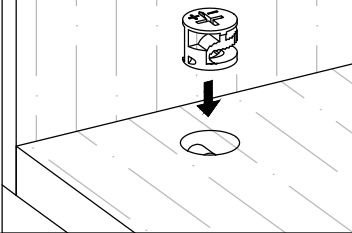
2



Insert the female camlock as shown in the instruction.

Note: ensure that the arrow on the top of the camlock points towards the entry hole for the male camlock.

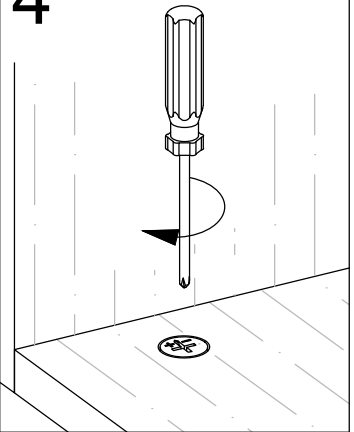
3



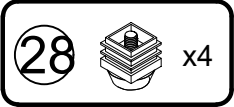
Turn the female camlock clockwise with a screwdriver. You should feel a click when the camlock is locked in place.

The joint is now secure.

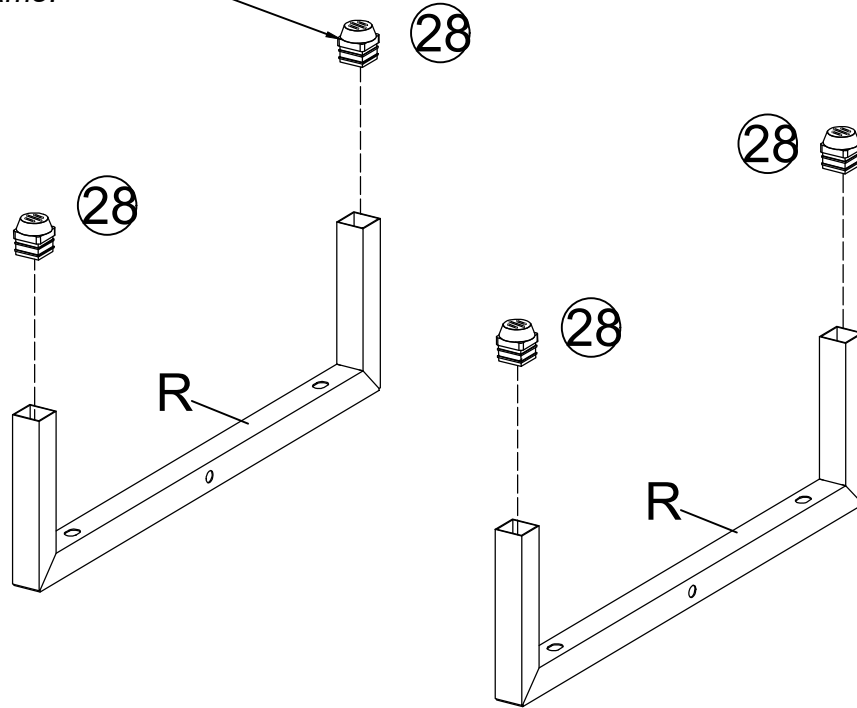
4



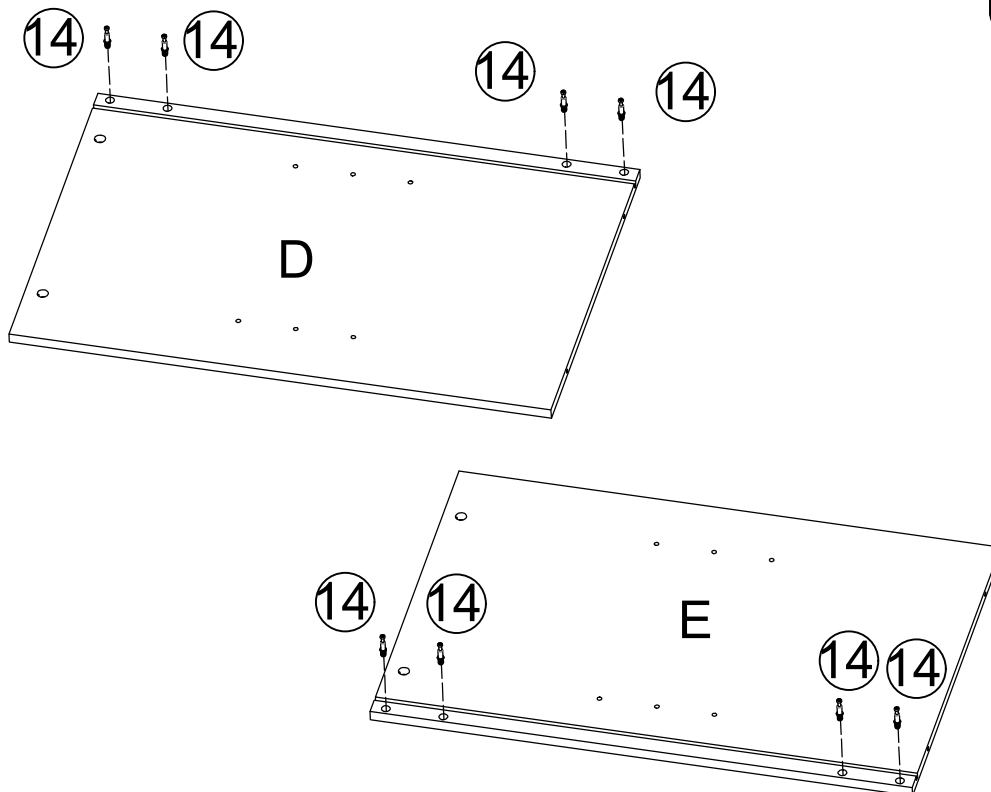
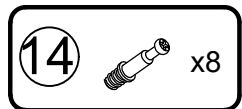
STEP 1



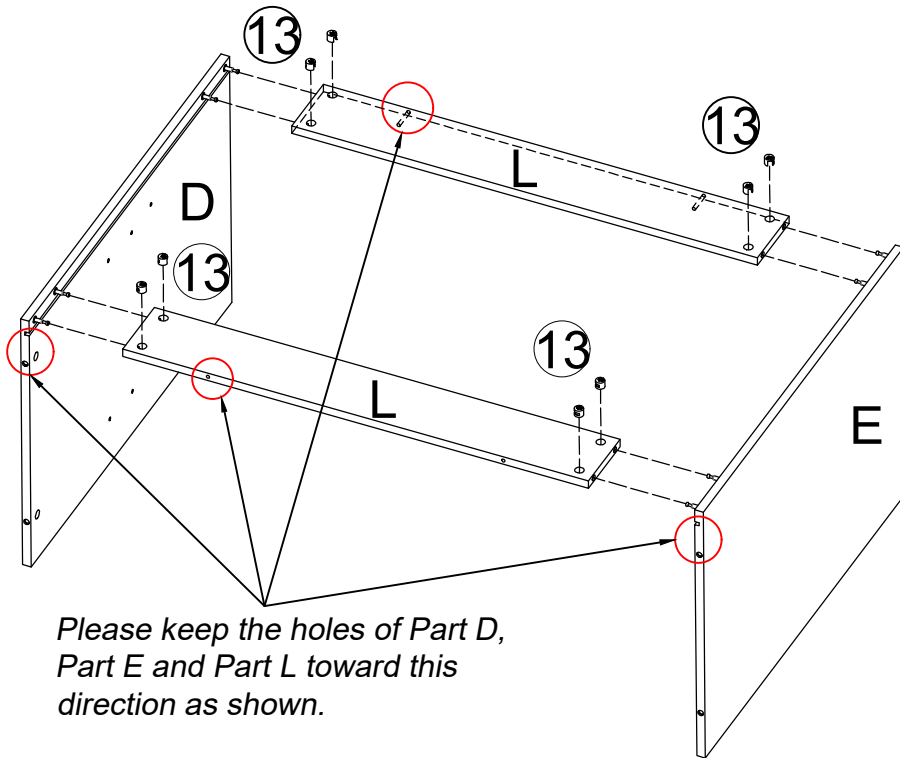
Please use a hammer or solid tools (not included) to knock the footpads into the frame.



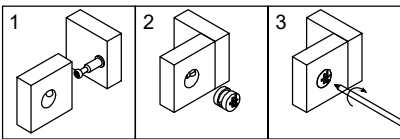
STEP 2



STEP 3



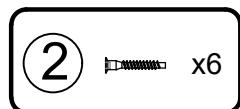
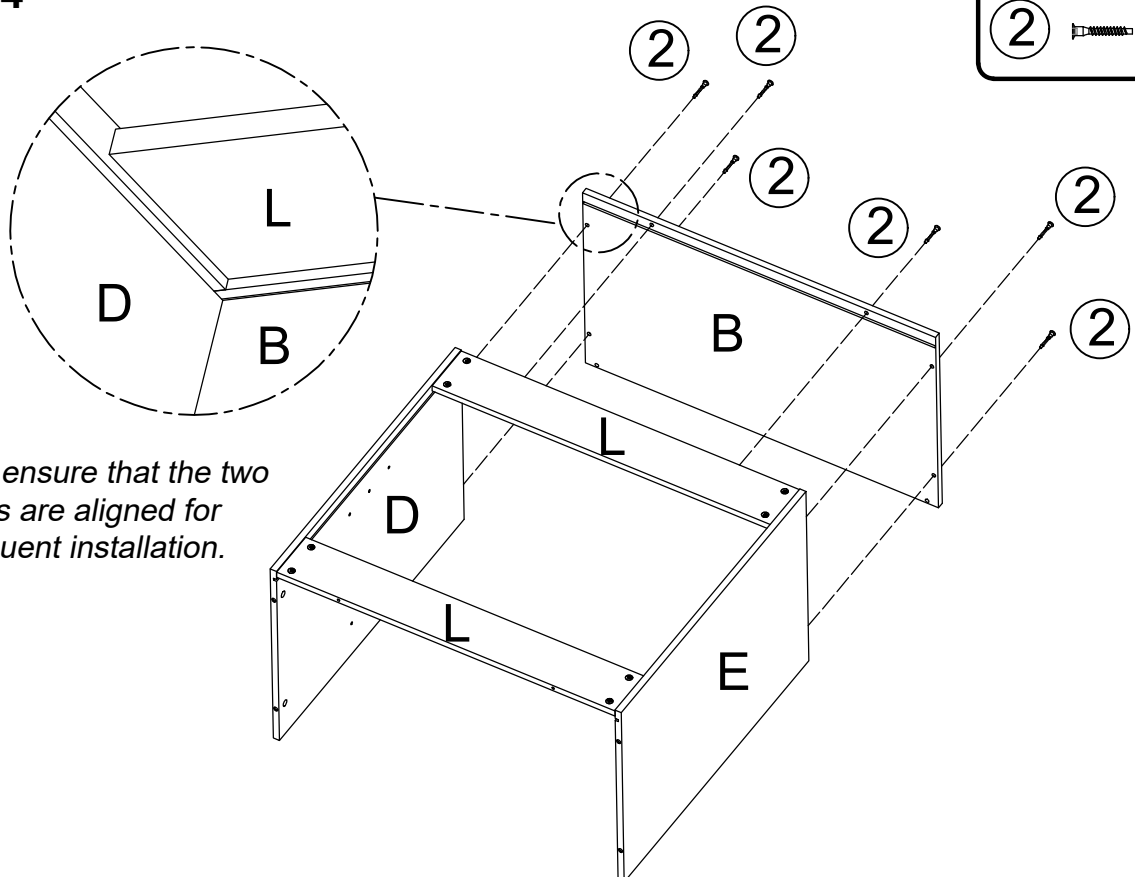
Please keep the holes of Part D, Part E and Part L toward this direction as shown.



Please point the arrow upward to the mounting hole when installing Part 13, then use screwdriver to tighten it in the "+" direction.


Cam Lock Fastening System

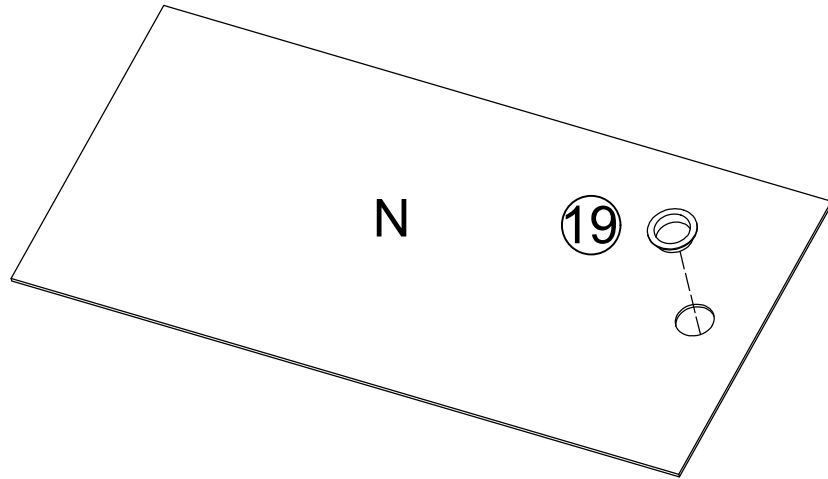
STEP 4



Please ensure that the two grooves are aligned for subsequent installation.

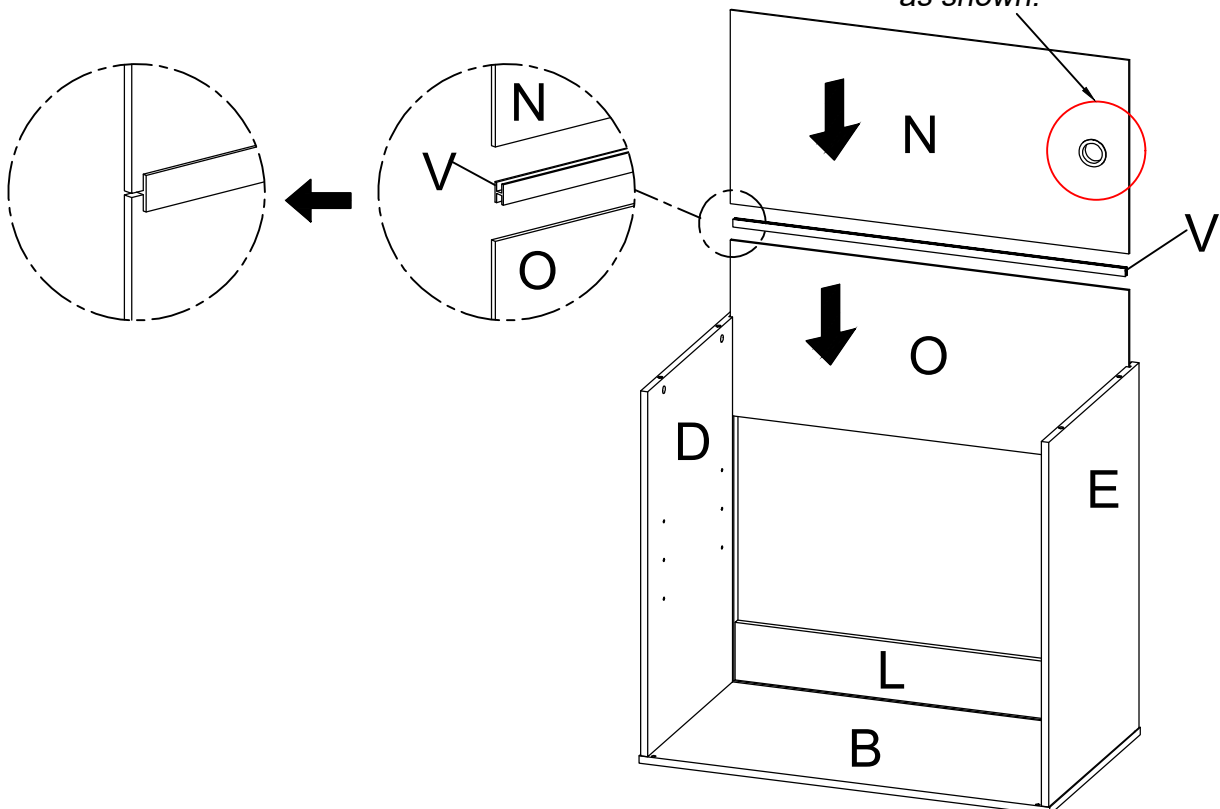
STEP 5

19  x1

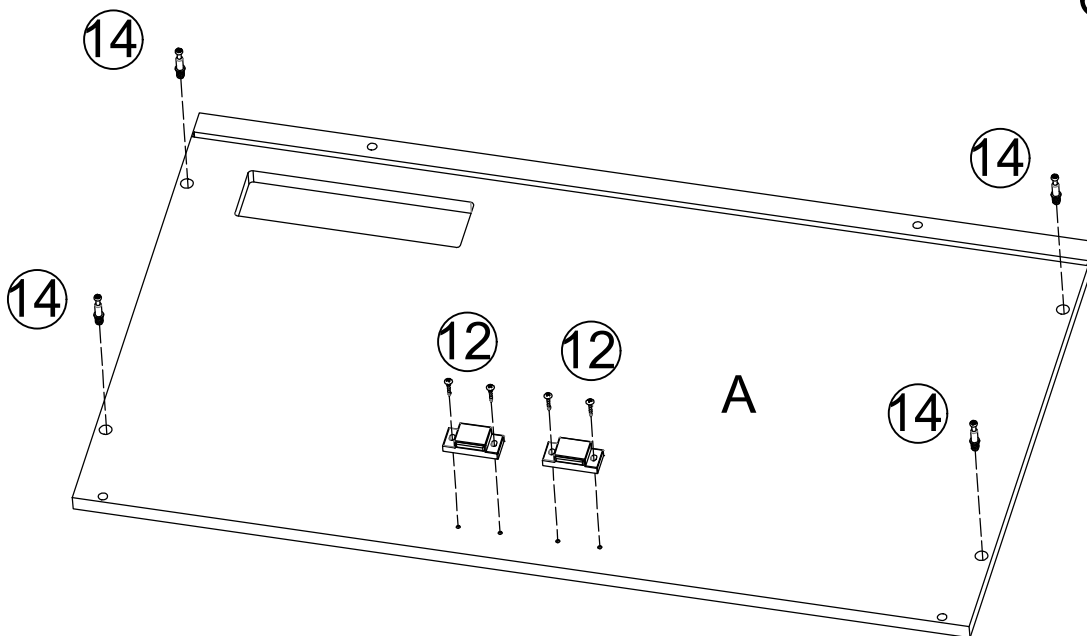
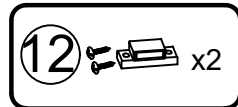
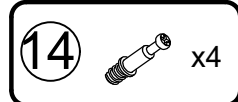


STEP 6

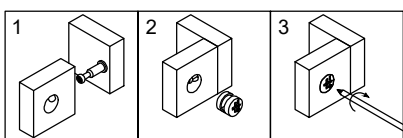
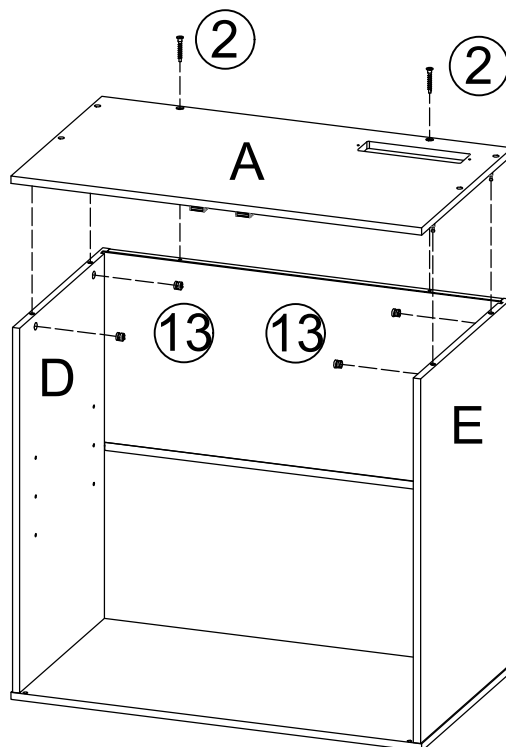
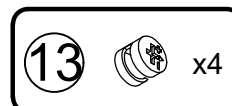
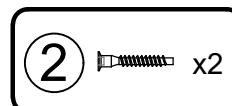
Please keep the holes of Part N toward this direction as shown.



STEP 7



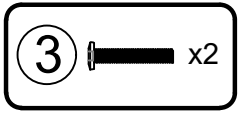
STEP 8



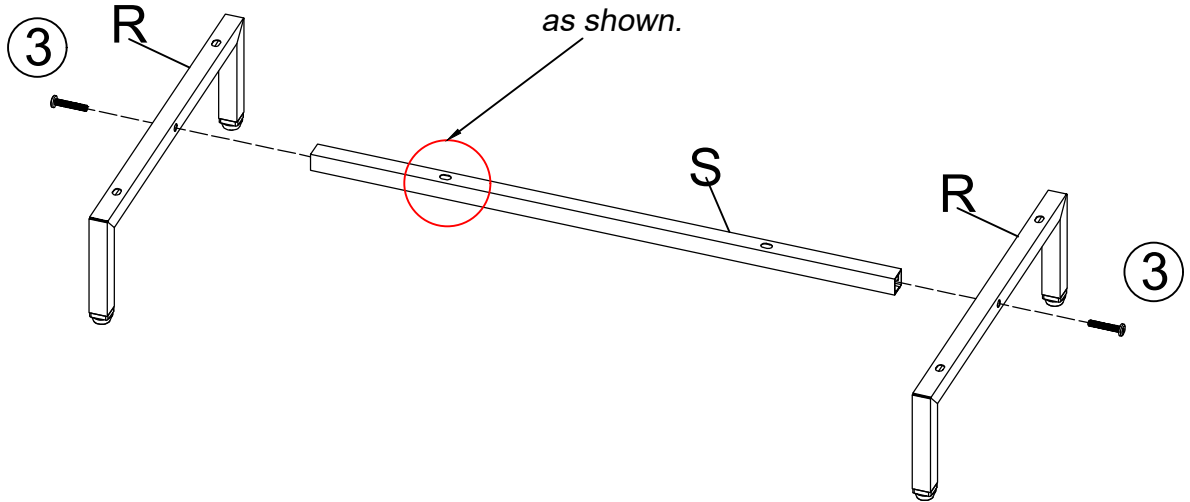
Please point the arrow upward to the mounting hole when installing Part 13, then use screwdriver to tighten it in the "+" direction.

Cam Lock Fastening System

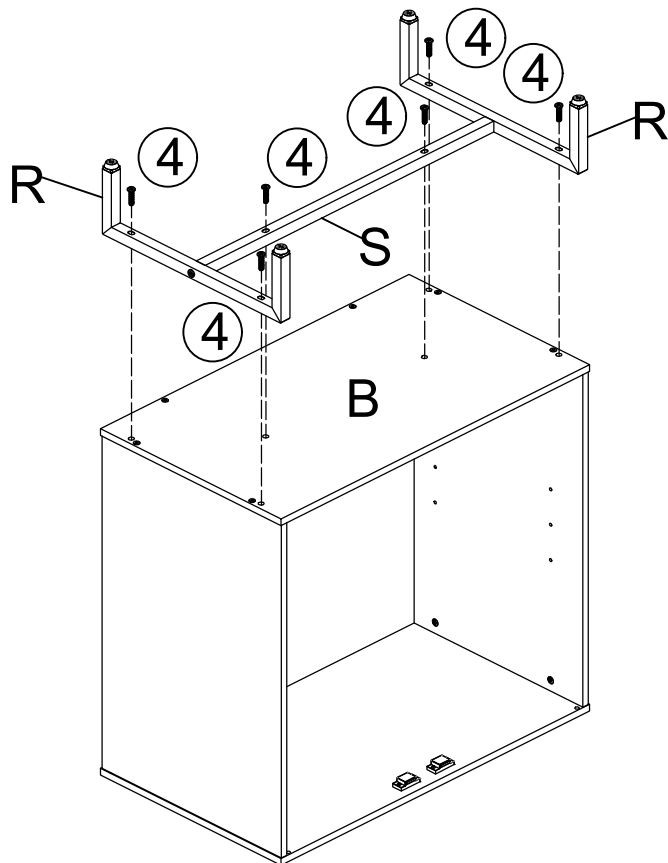
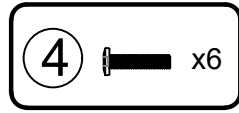
STEP 9



Please keep the holes of Part S toward this direction as shown.



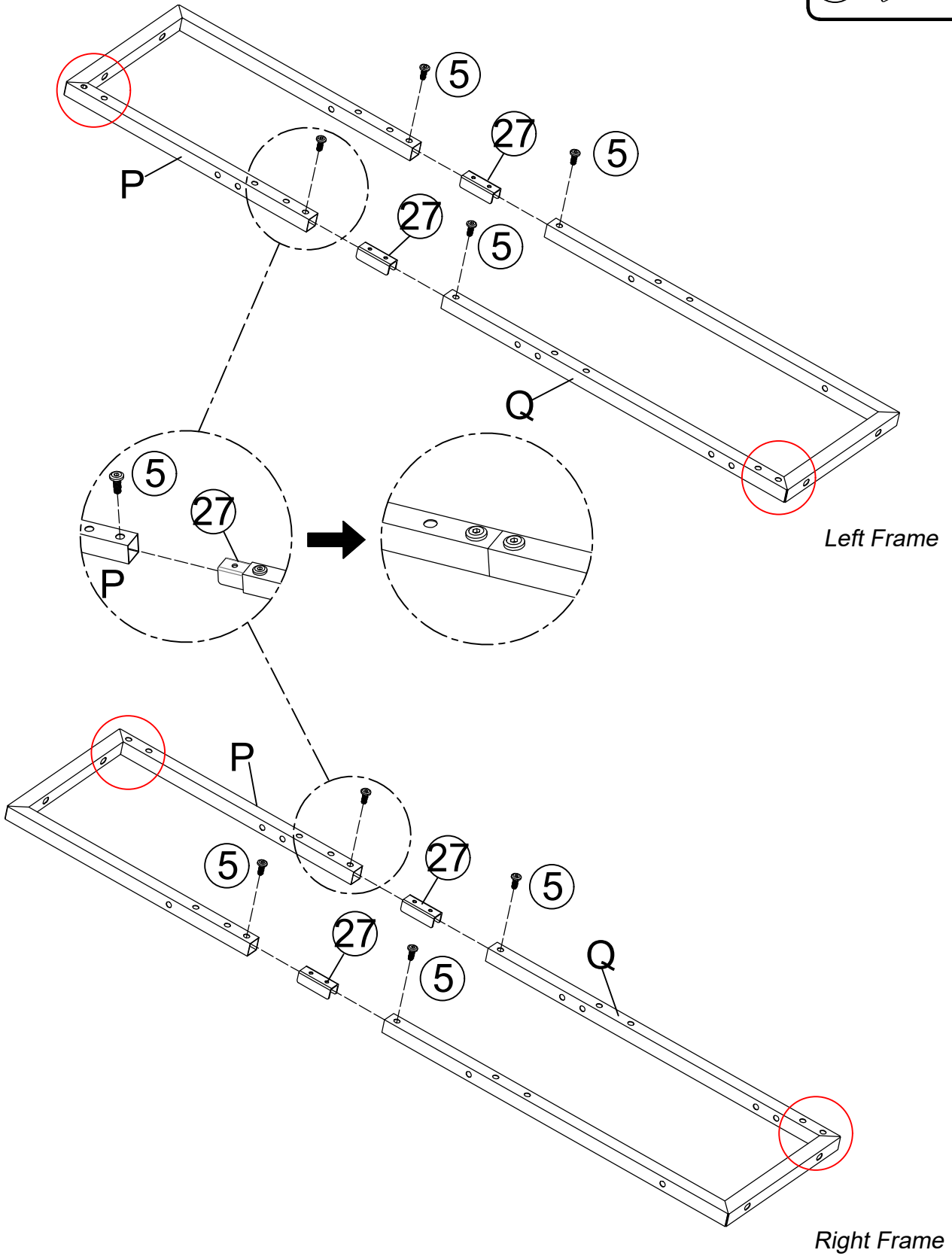
STEP 10



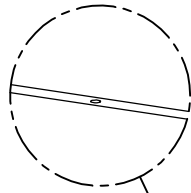
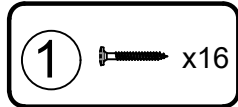
STEP 11

Please keep the holes of Part P and Part Q toward this direction as shown.

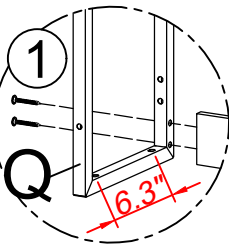
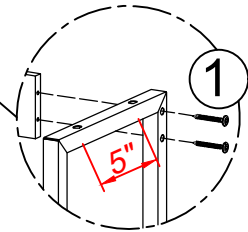
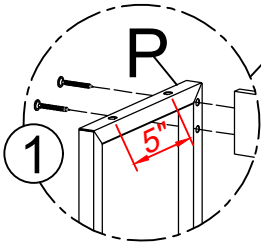
- 5 x8
- 27 x4



STEP 12



Please keep the holes of Part K toward this direction as shown.

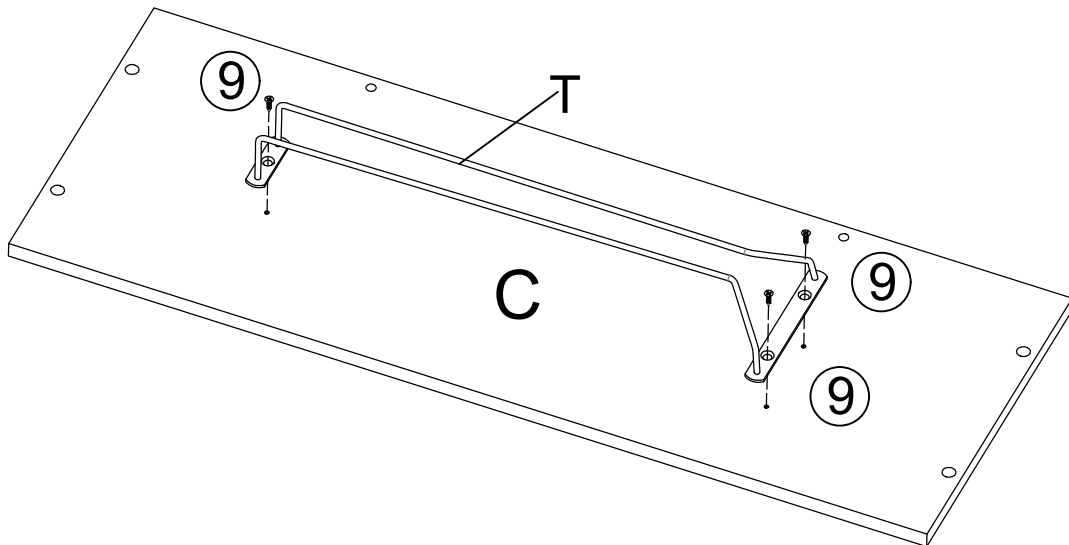
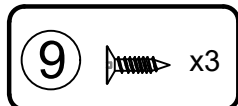


There are 2 heights for the shelf to be adjusted as you need.

Left Frame

Right Frame

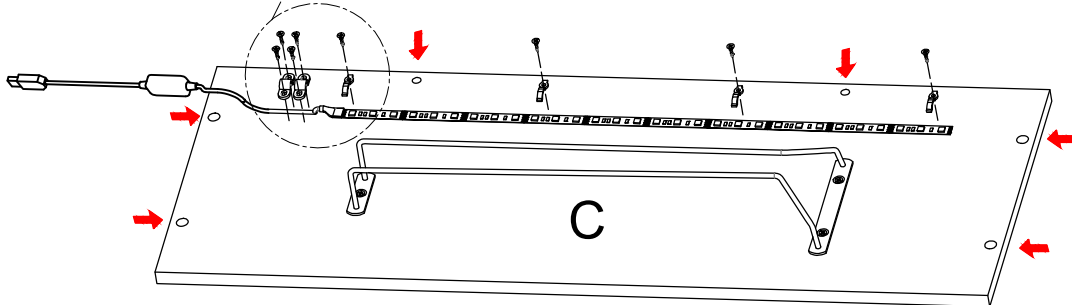
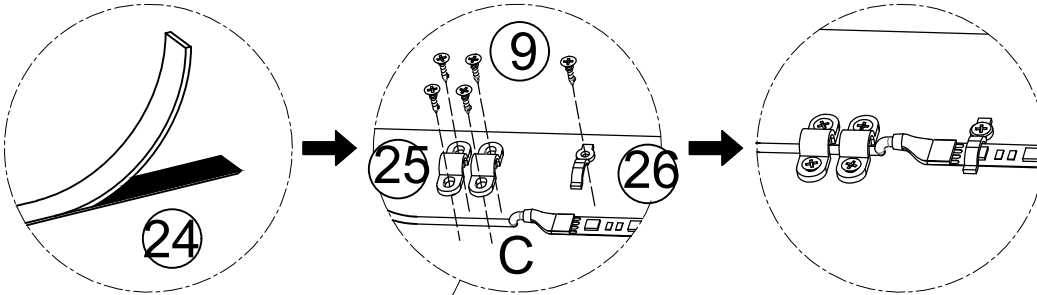
STEP 13



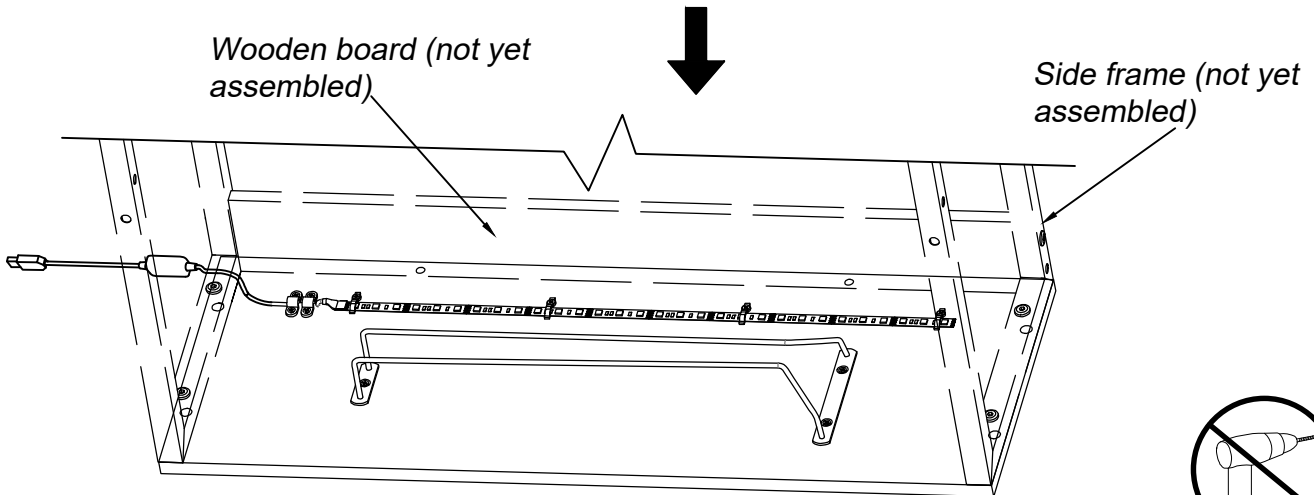
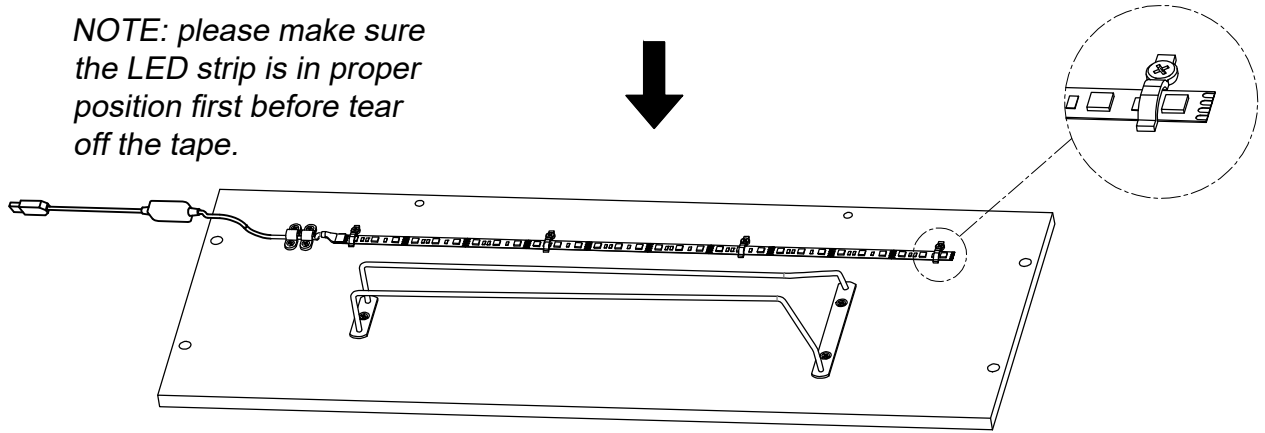
STEP 14

Tear off the tape of the LED strip, stick the LED strip to the bottom of top panel(C). (Between the six holes).
 Fix the LED strip with plastic clips.
 NOTE: Do not cover the lamp beads.



- 9 x8
- 24 x1
- 25 x2
- 26 x4

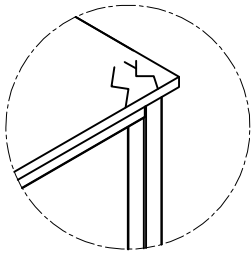


NOTE: please make sure the LED strip is in proper position first before tear off the tape.

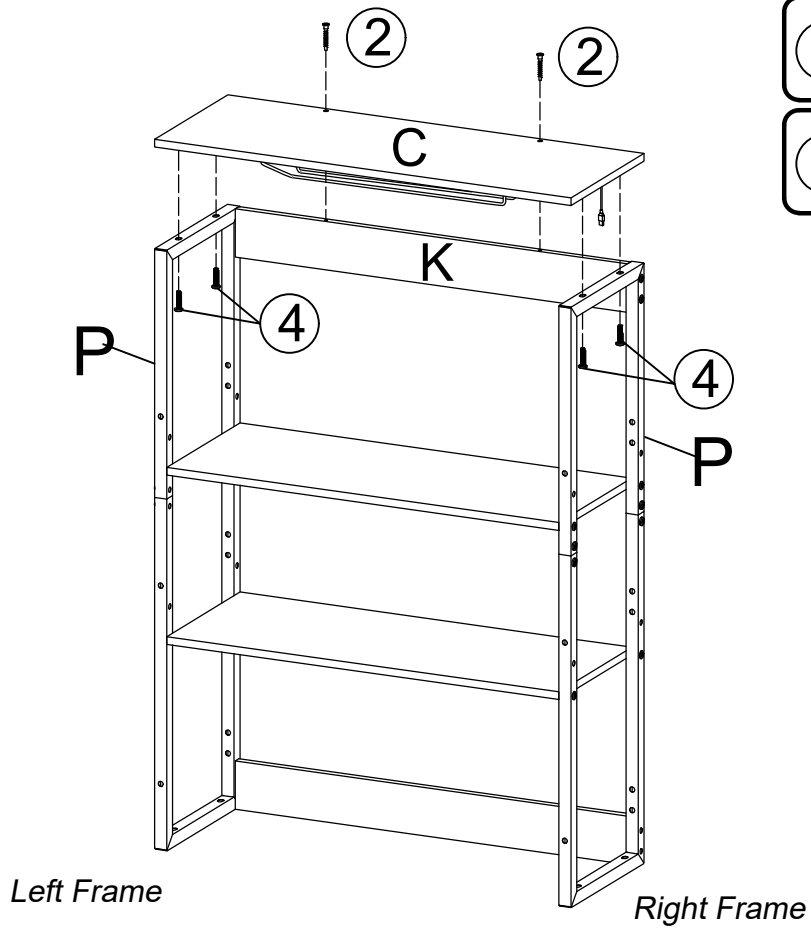


STEP 15


- ②  x2
- ④  x4

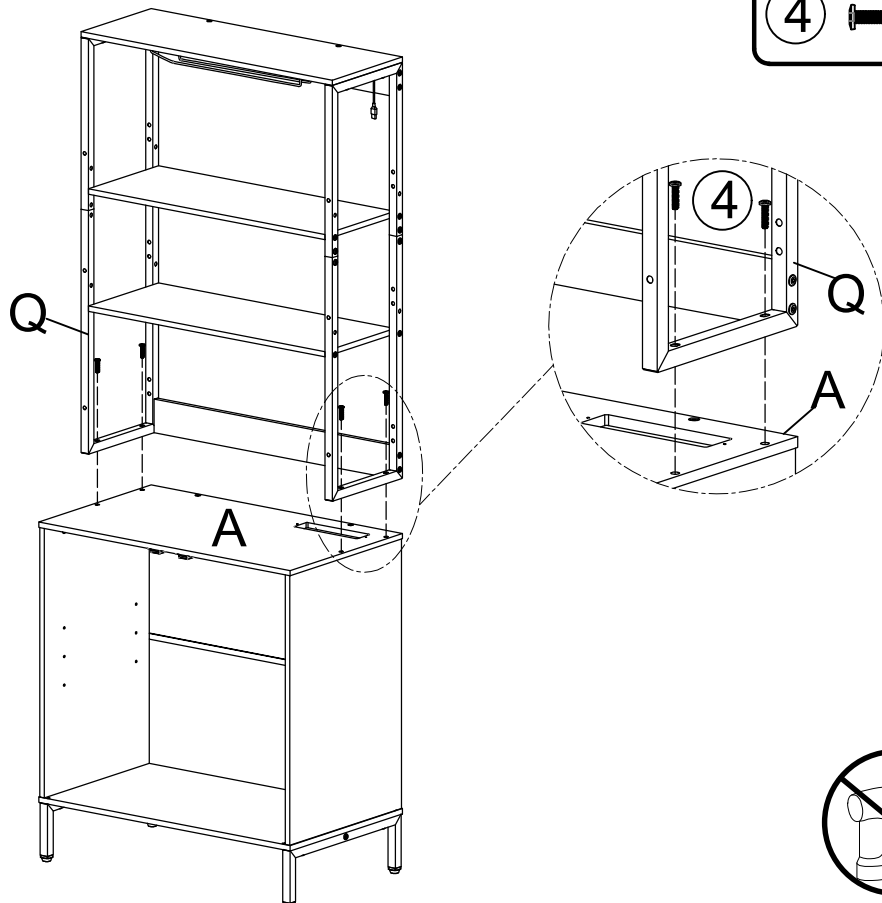


Please ensure that using the correct screws for panel assembly. Using the wrong screw will cause a cracked panel.

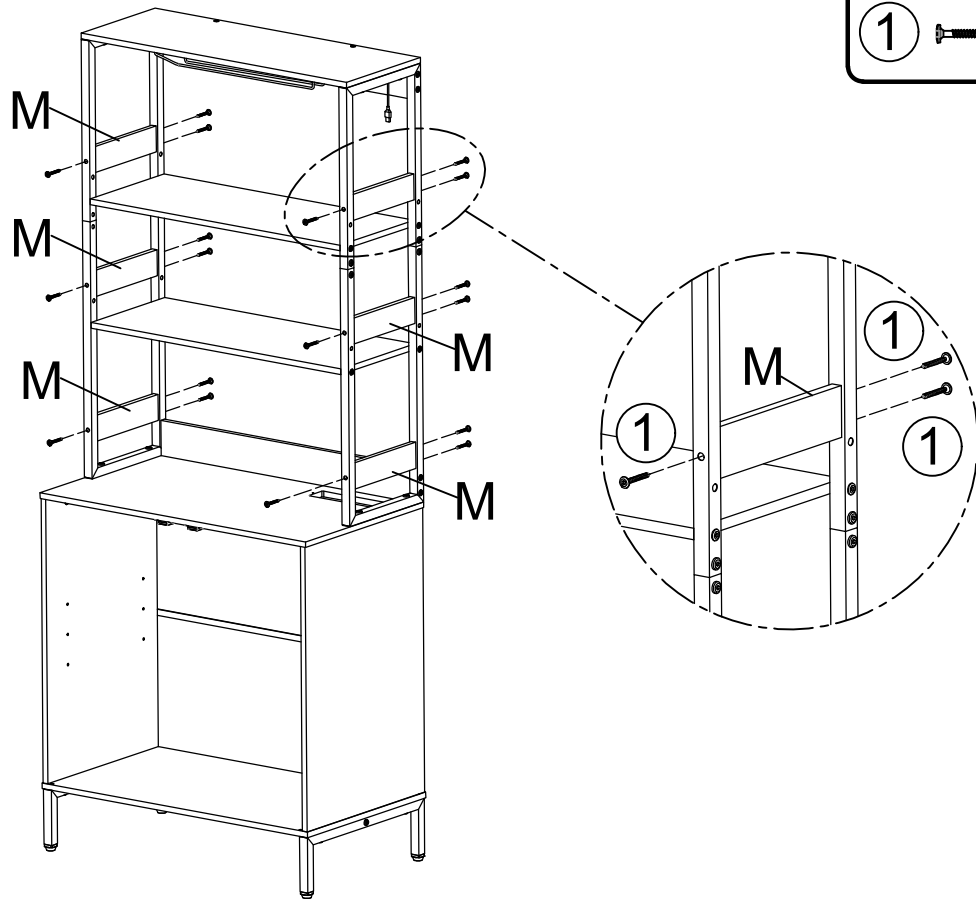
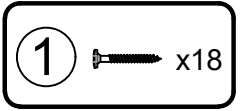


STEP 16

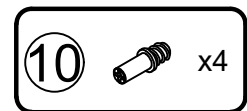
- ④  x4



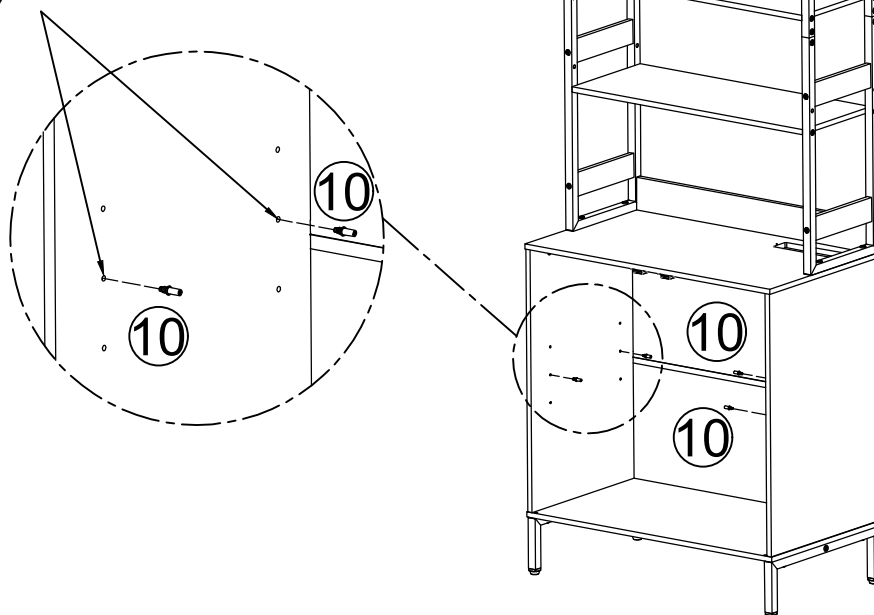
STEP 17



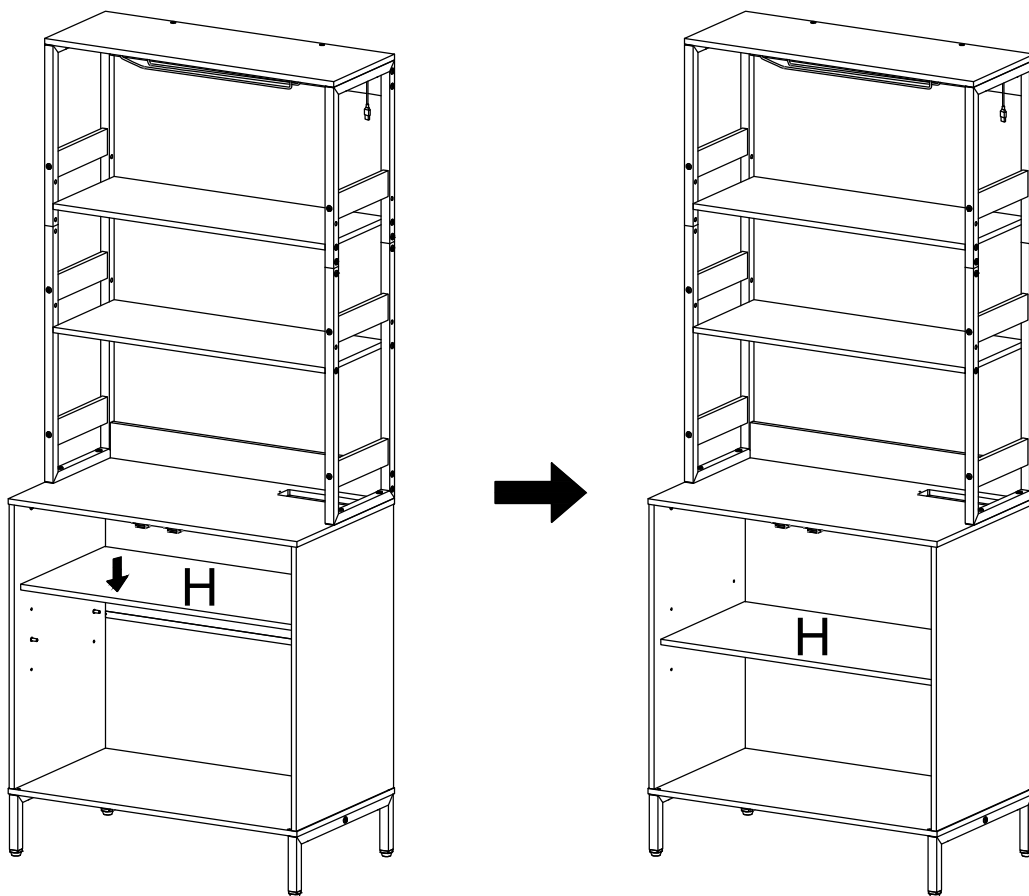
STEP 18



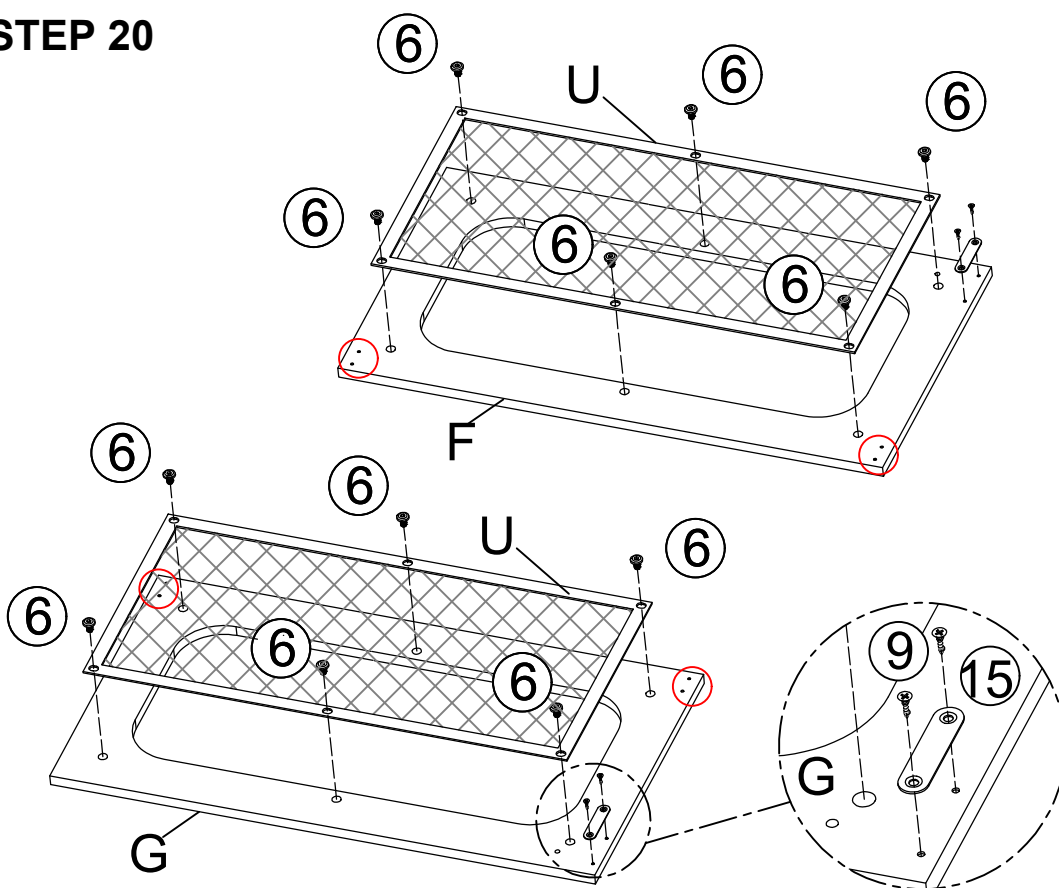
There are 3 heights for the shelf to be adjusted as you need.


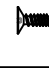



STEP 19



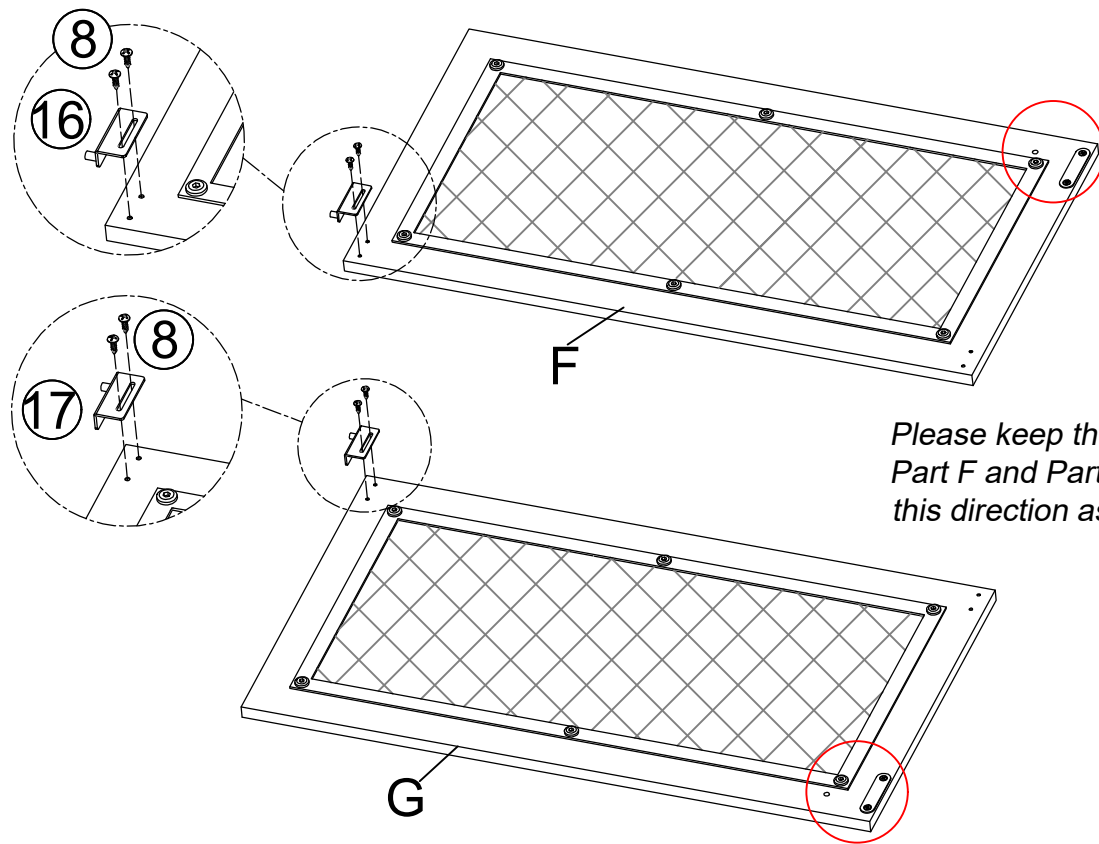
STEP 20



- 6**  x12
- 9**  x4
- 15**  x2



STEP 21

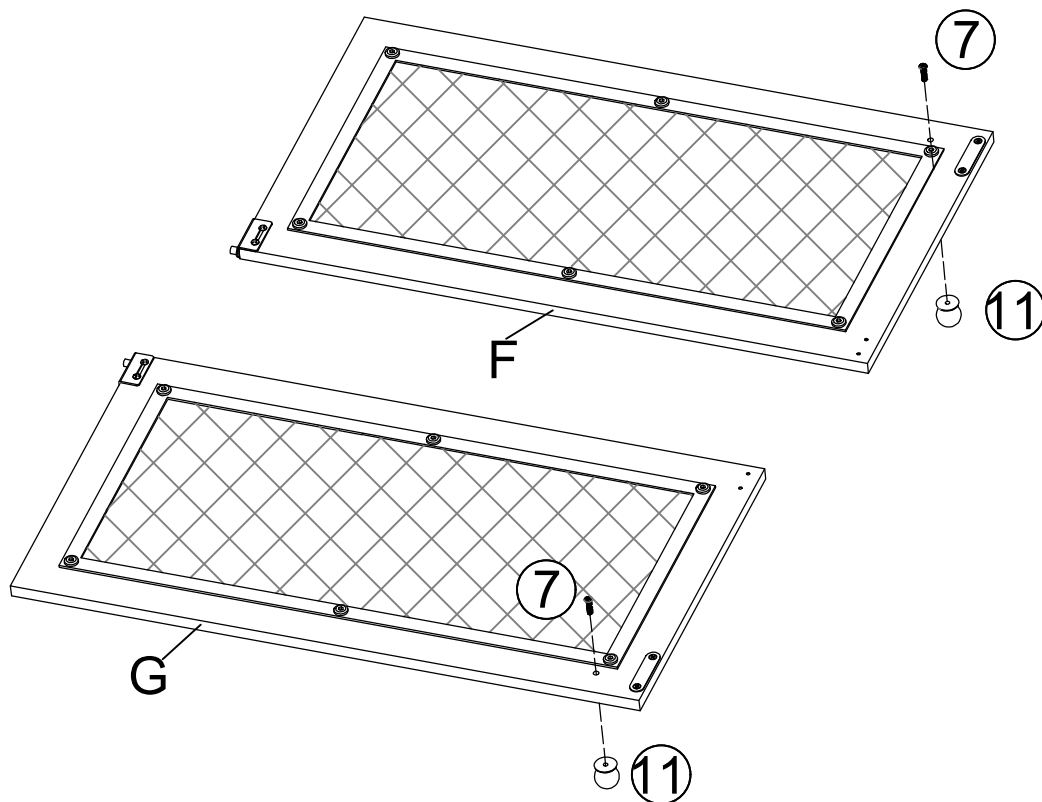


- 8 x4
- 16 x1
- 17 x1

Please keep the holes of Part F and Part G toward this direction as shown.

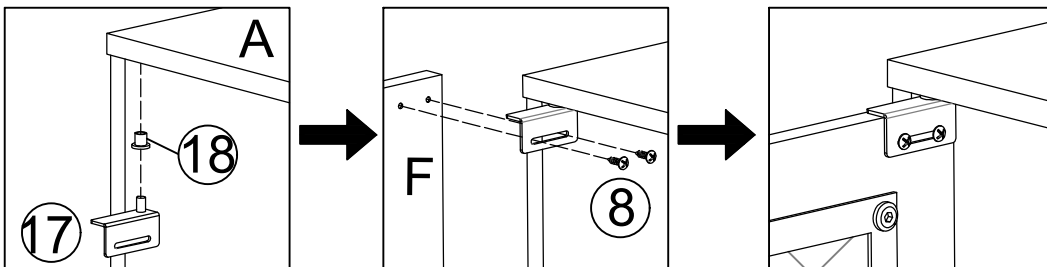
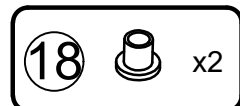
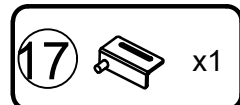
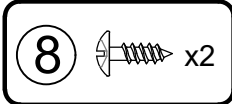


STEP 22

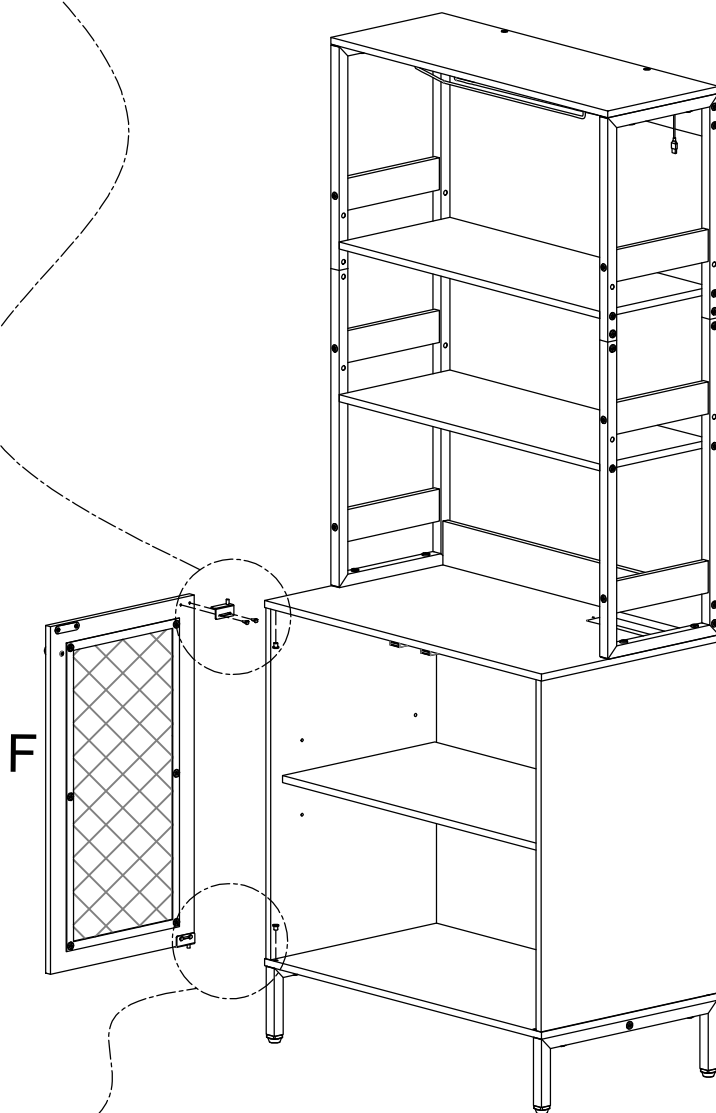


- 7 x2
- 11 x2

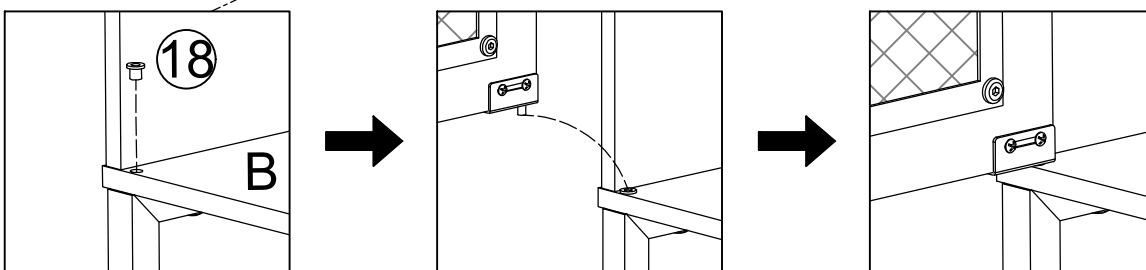
STEP 23



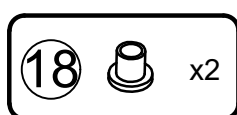
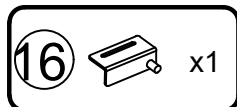
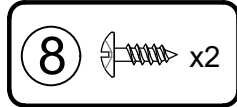
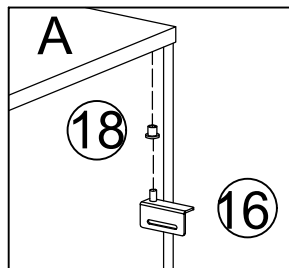
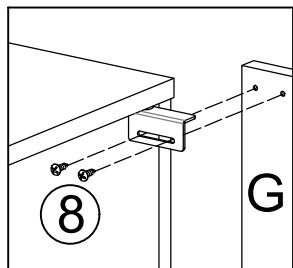
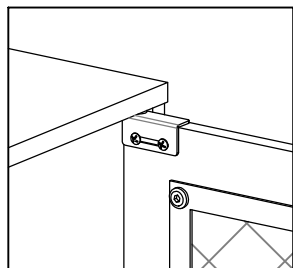
STEP 2



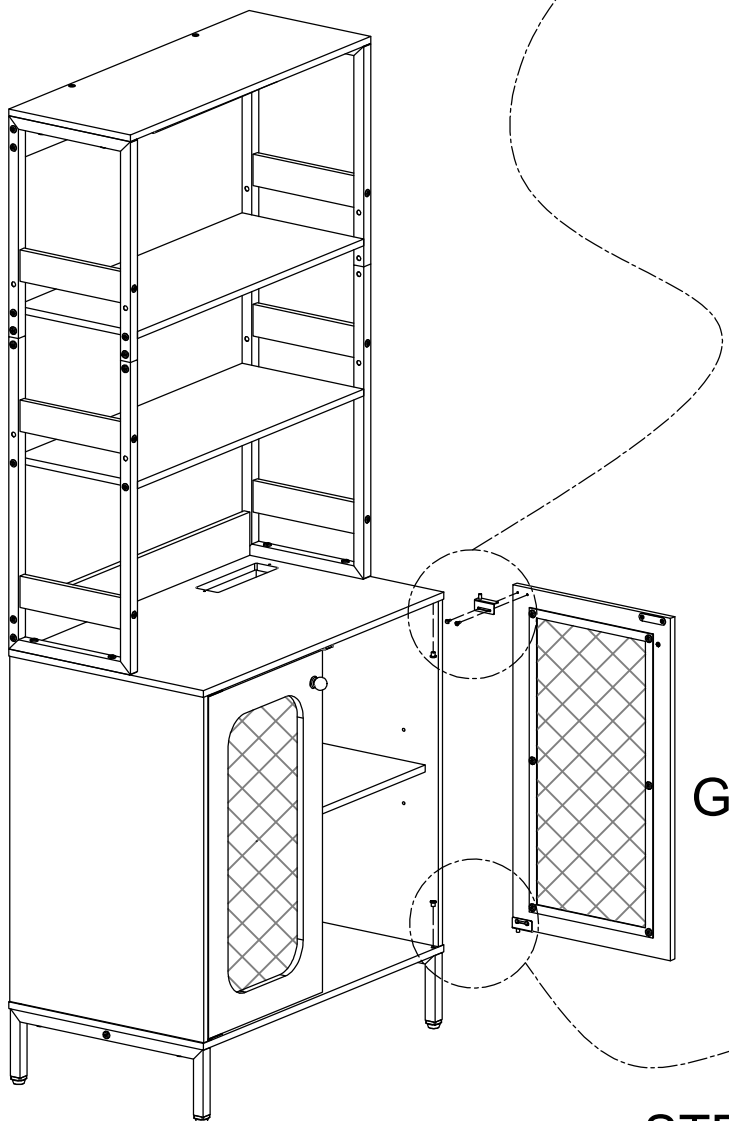
STEP 1



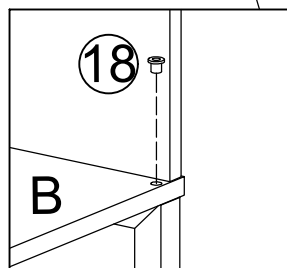
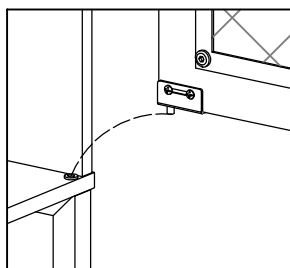
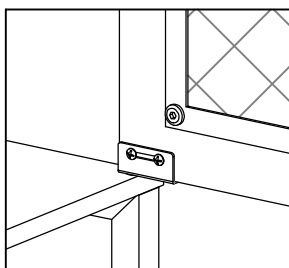
STEP 24



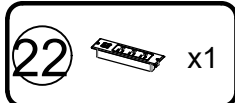
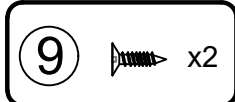
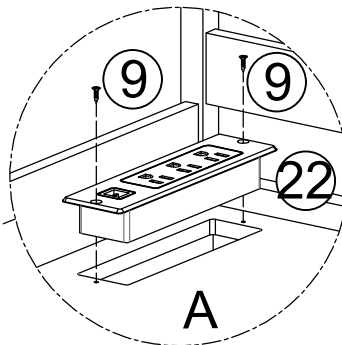
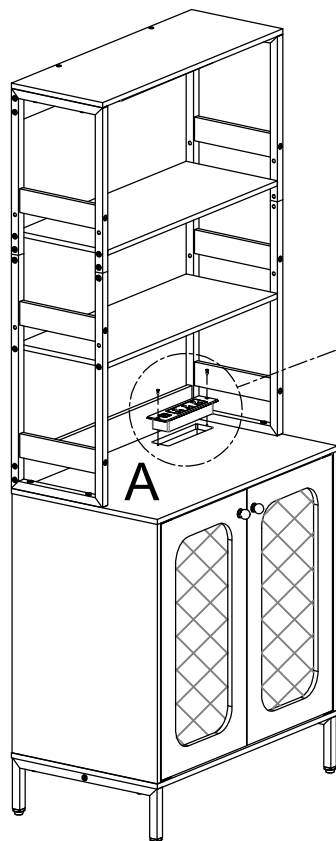
STEP 2



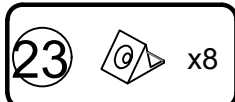
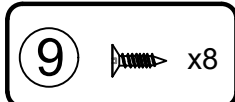
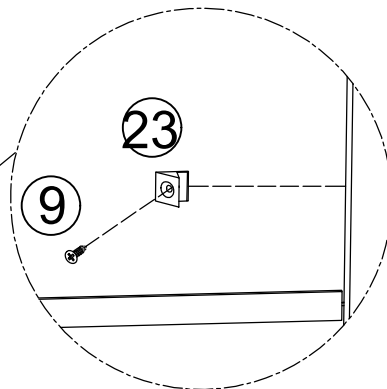
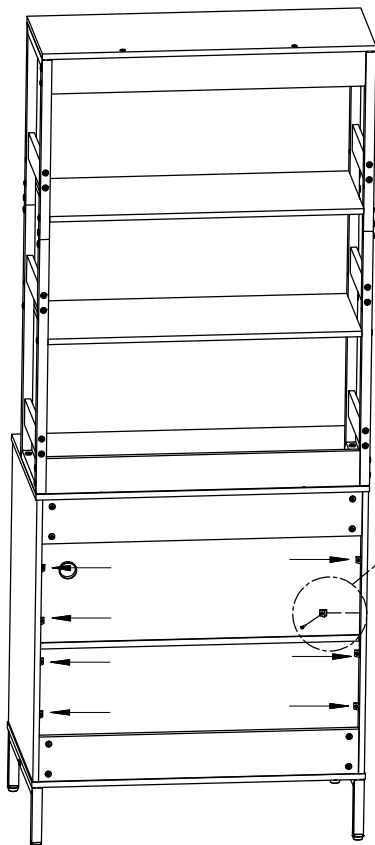
STEP 1



STEP 25

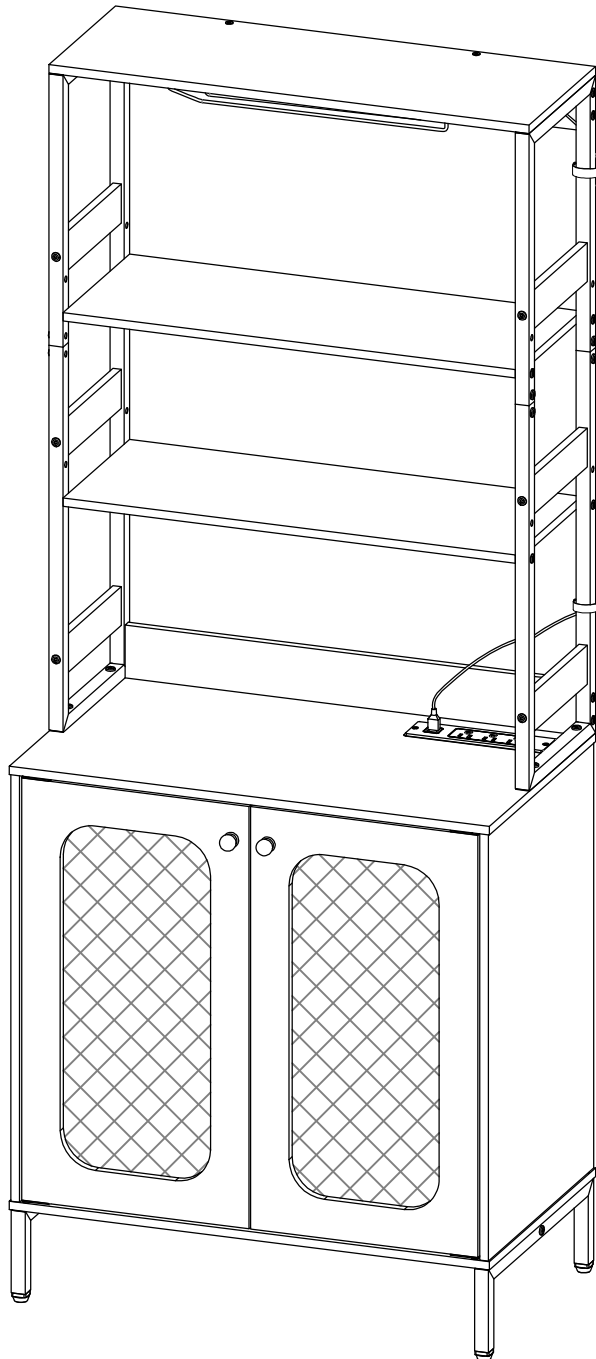
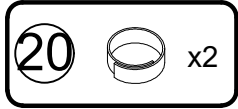


STEP 26



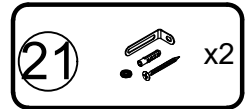
Use the buckles to reinforce the back panel.

STEP 27



Hook-and-loop fastener "20" can wrap the wires, making your cabinet look neater.

STEP 28



TIPPING RESTRAINT HARDWARE

Note: We have included two Tipping Restraint Hardware set for this Unit. When properly installed, this restraint can provide protection against the unexpected tipping of the Unit due to small tremors, bumps or climbing. We strongly recommend mounting this hardware to a wall stud and your Unit.

Note: You must install the Tipping Restraint Hardware with the unit in use to prevent any accidents or damage to the unit.

