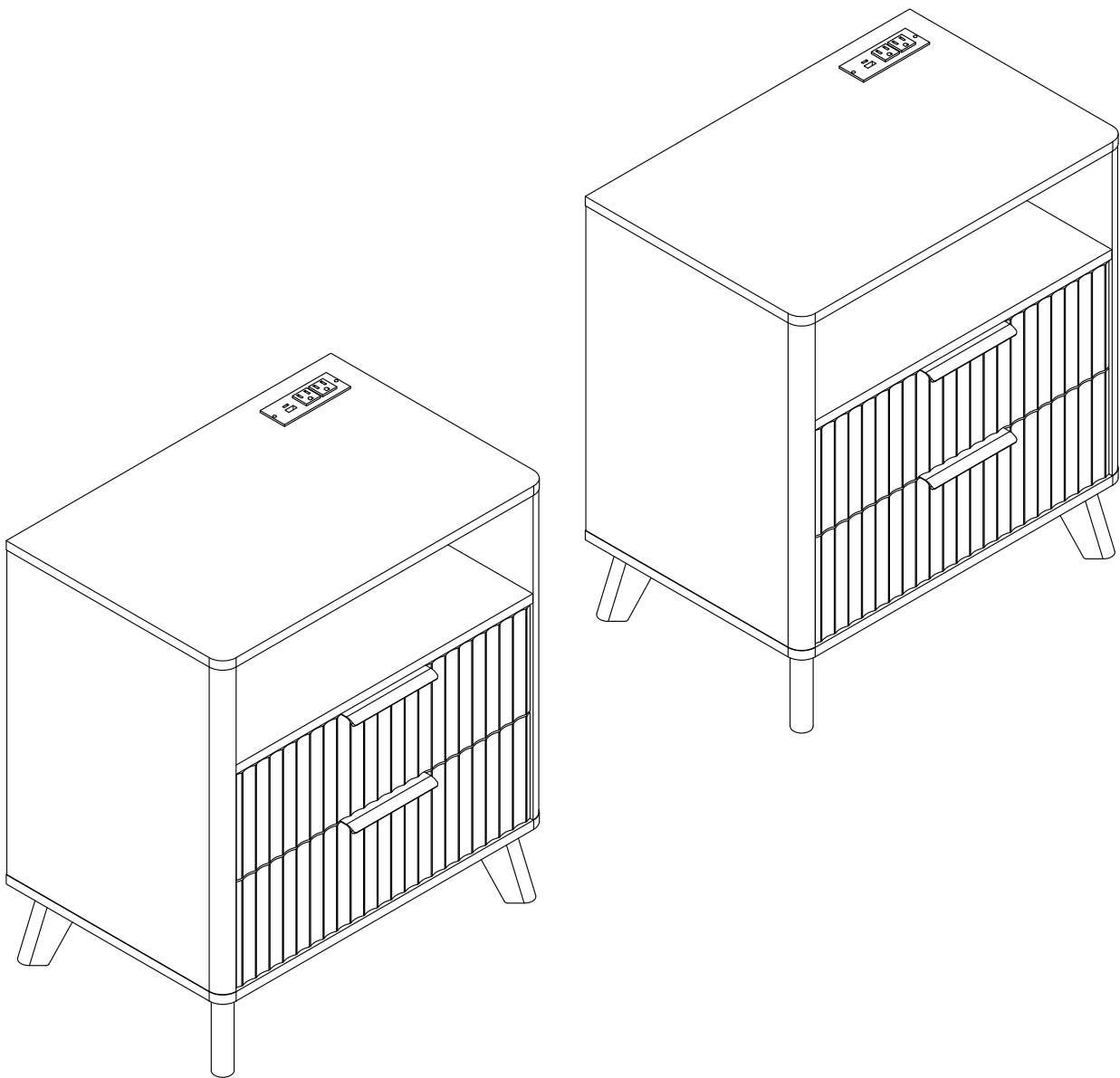
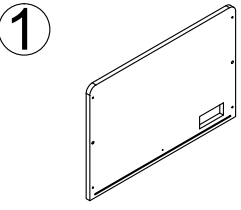
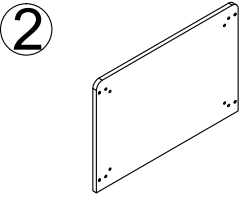
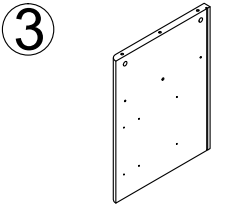
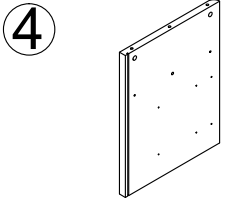
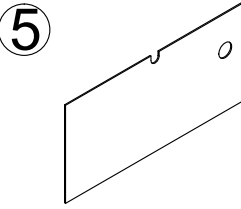
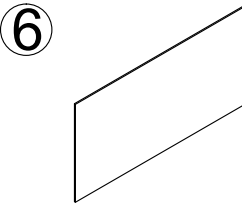
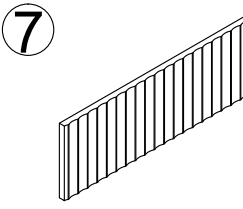
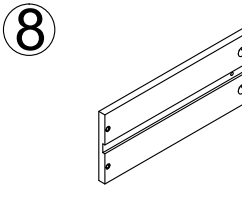
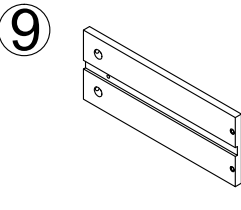
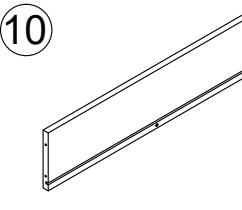
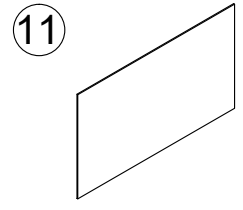
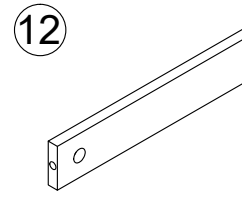
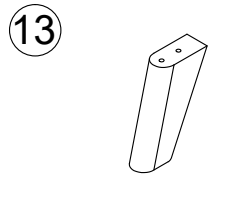
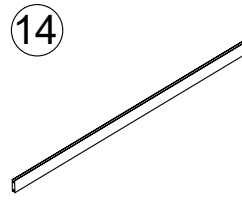
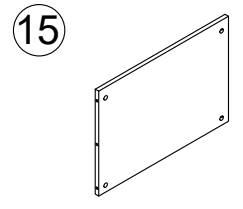








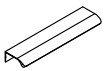










Assembly Instruction



			
2PCS	2PCS	2PCS	2PCS
			
2PCS	2PCS	4PCS	4PCS
			
4PCS	4PCS	4PCS	4PCS
			
8PCS	2PCS	2PCS	

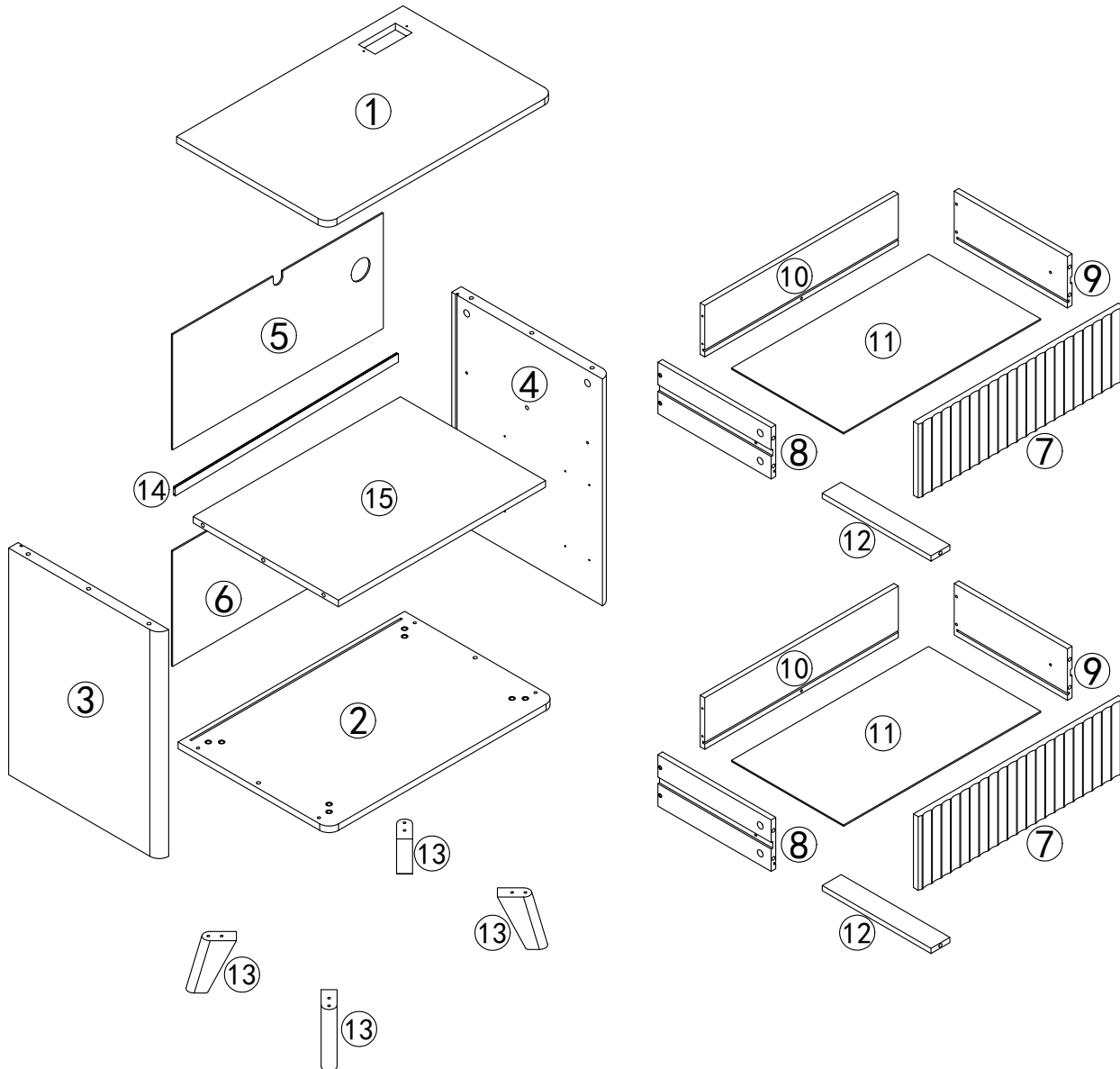
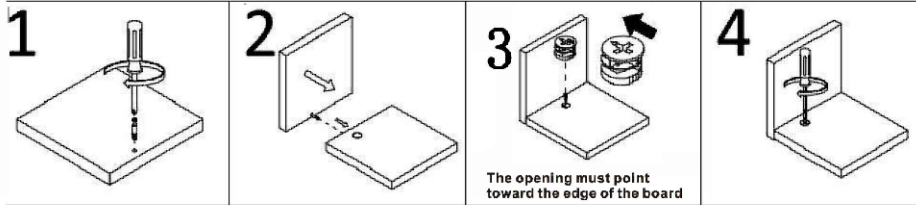
A	X36	B	X36	C	X36	D	X8	E	X1	F	X8	G	X12	H	X8
															
M6x35mm		Ø15x9mm		M3.5x12mm		M3x16mm		4mm		M5x40mm		Ø8x30mm		M4x10mm	

I	X4	J	X22	K	X2	M	X2	N	X2	O	X8	P	X8	Q	X2
															
		M4x35mm		Ø6x30mm				M4x12mm							

S	X8
	
M7x50mm	

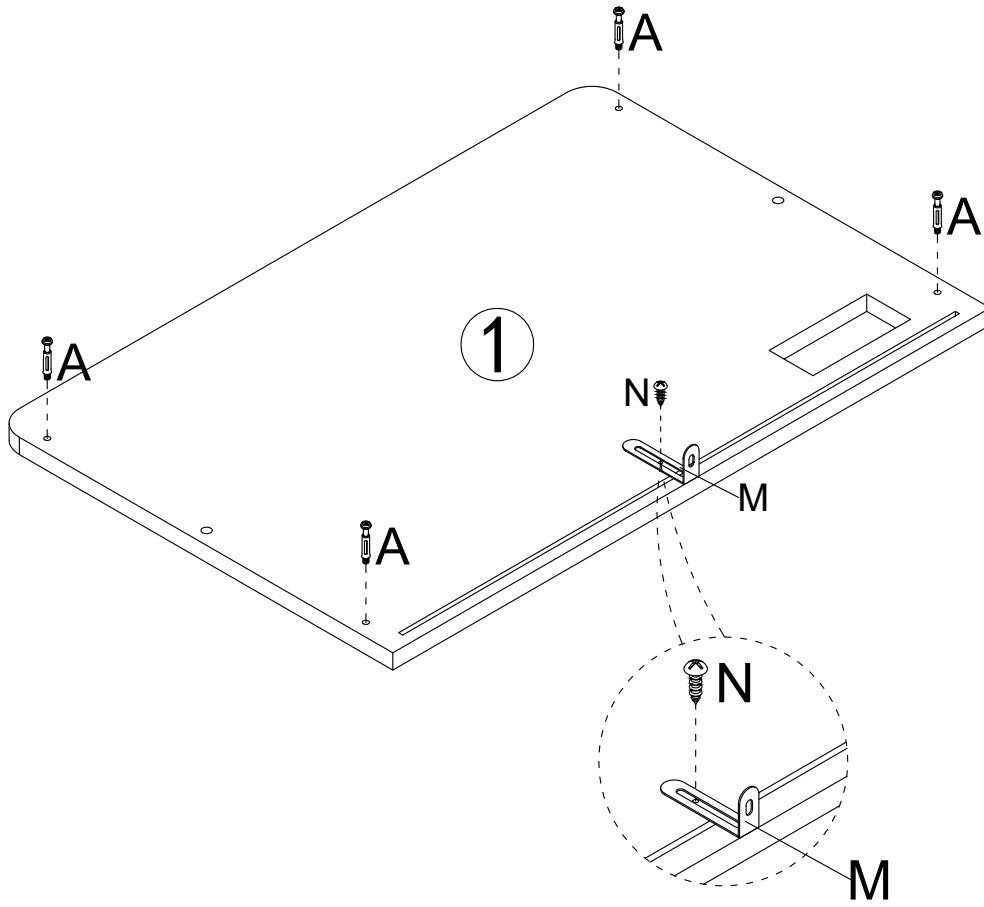
Cam Lock Fastening System

Insert the cam bolt into the hole first, then insert the cam lock and lock it.





X2


1



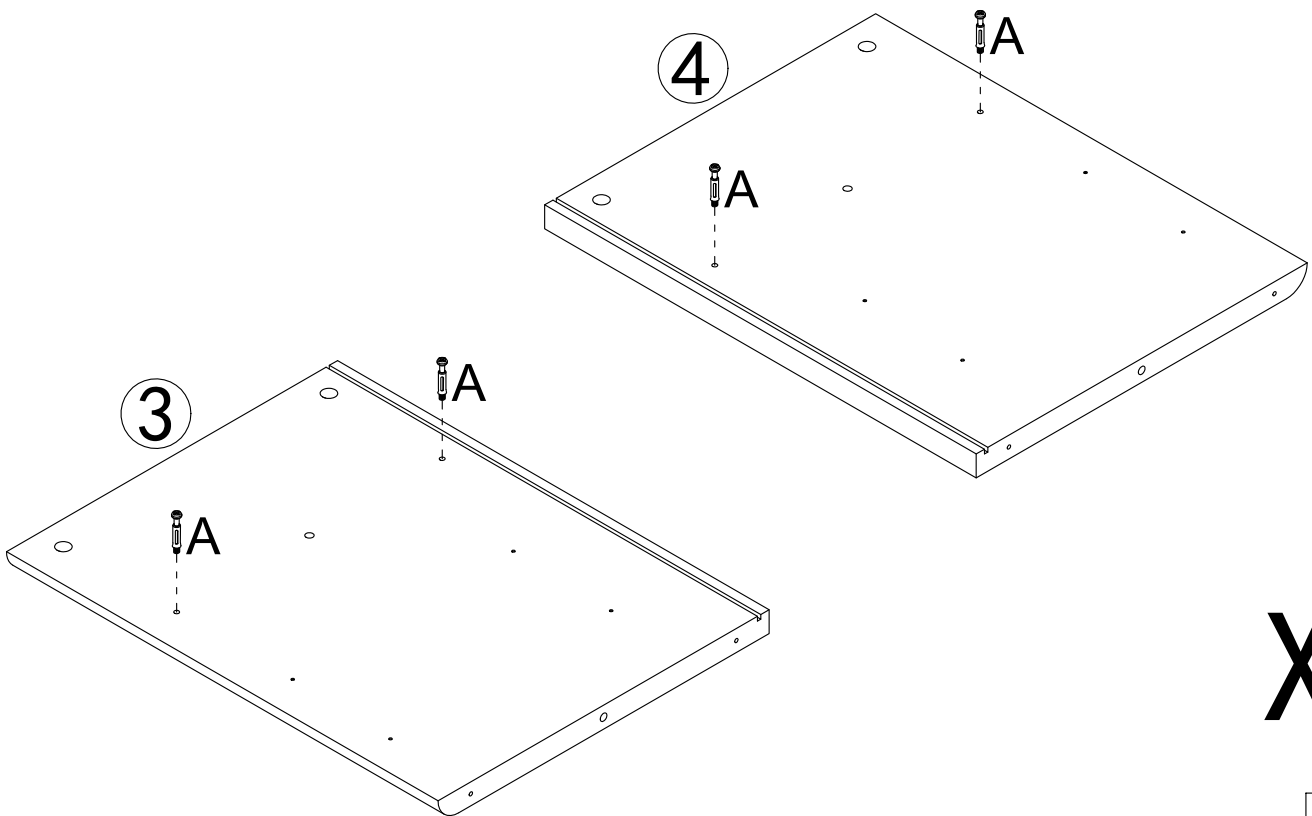
X2

A	X8
	
M6x35mm	


M	X2
	

N	X2
	
M4x12mm	

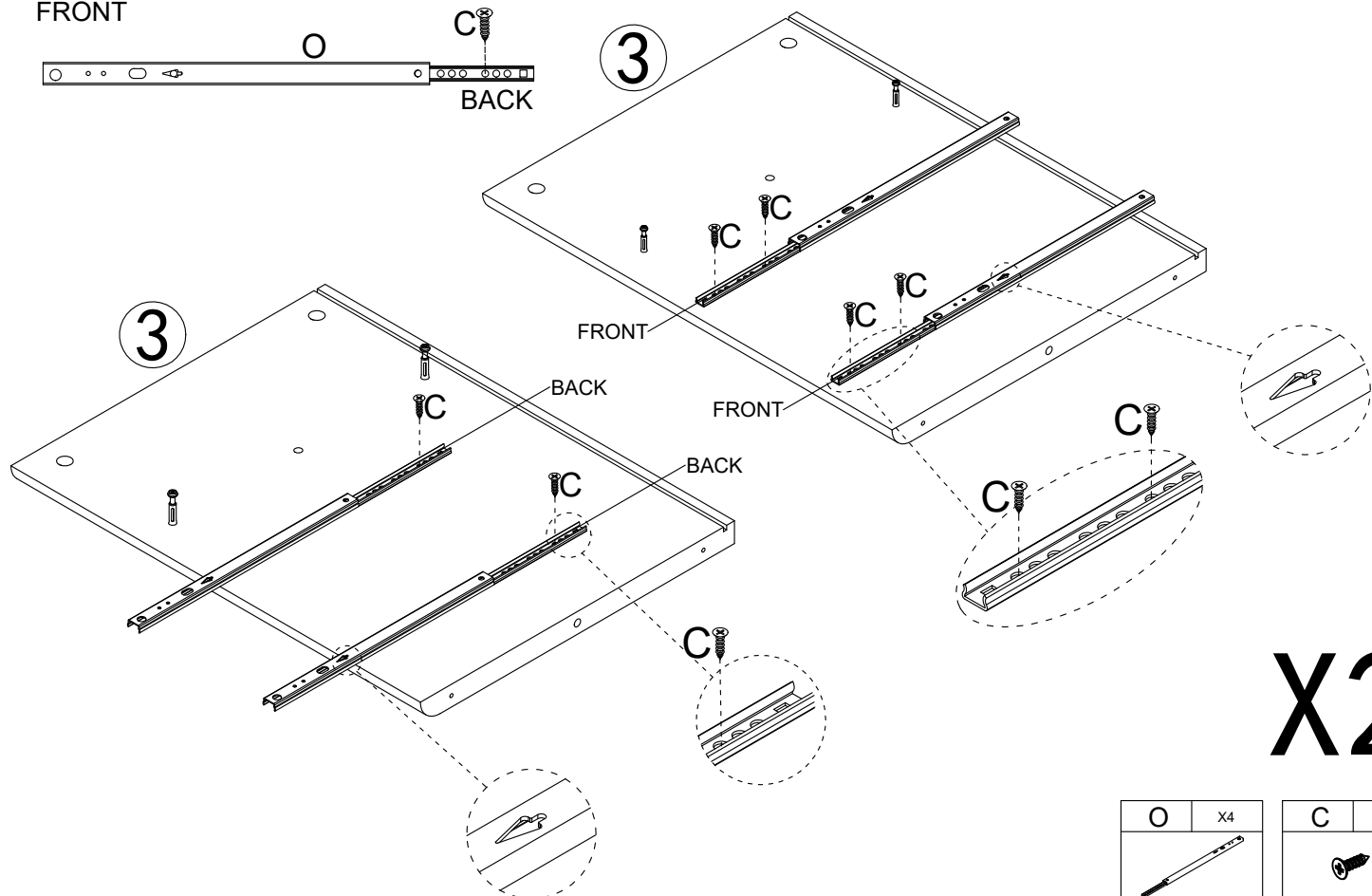
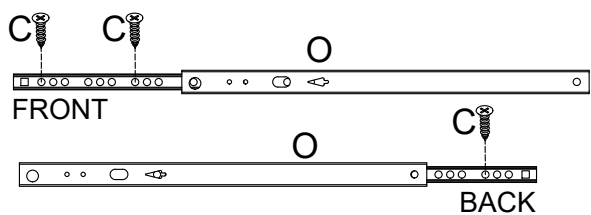
2



X2

A	X8
	
M6x35mm	

3

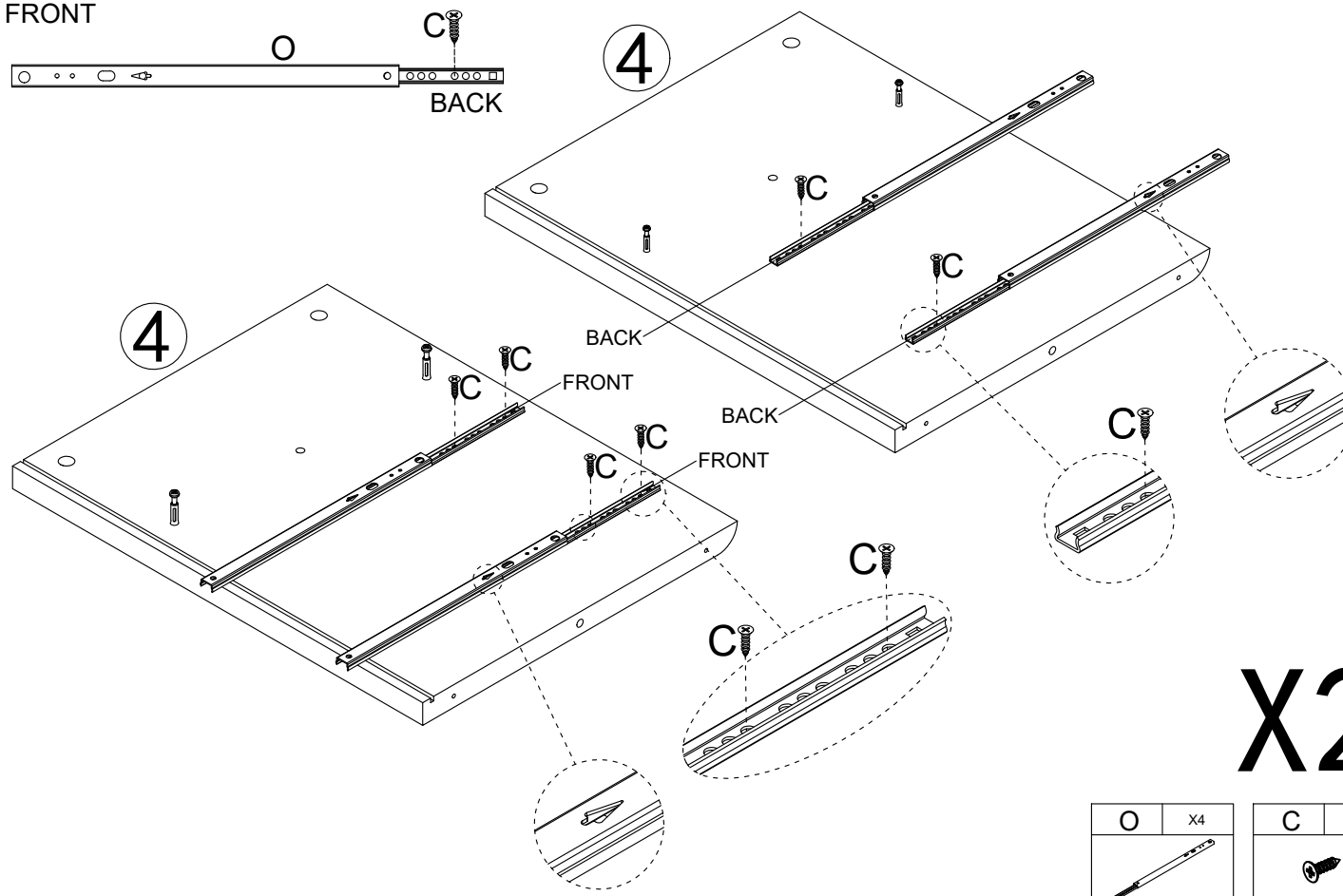
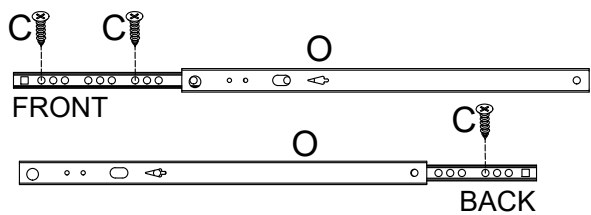


O	X4

C	X12
M3.5x12mm	

X2

4

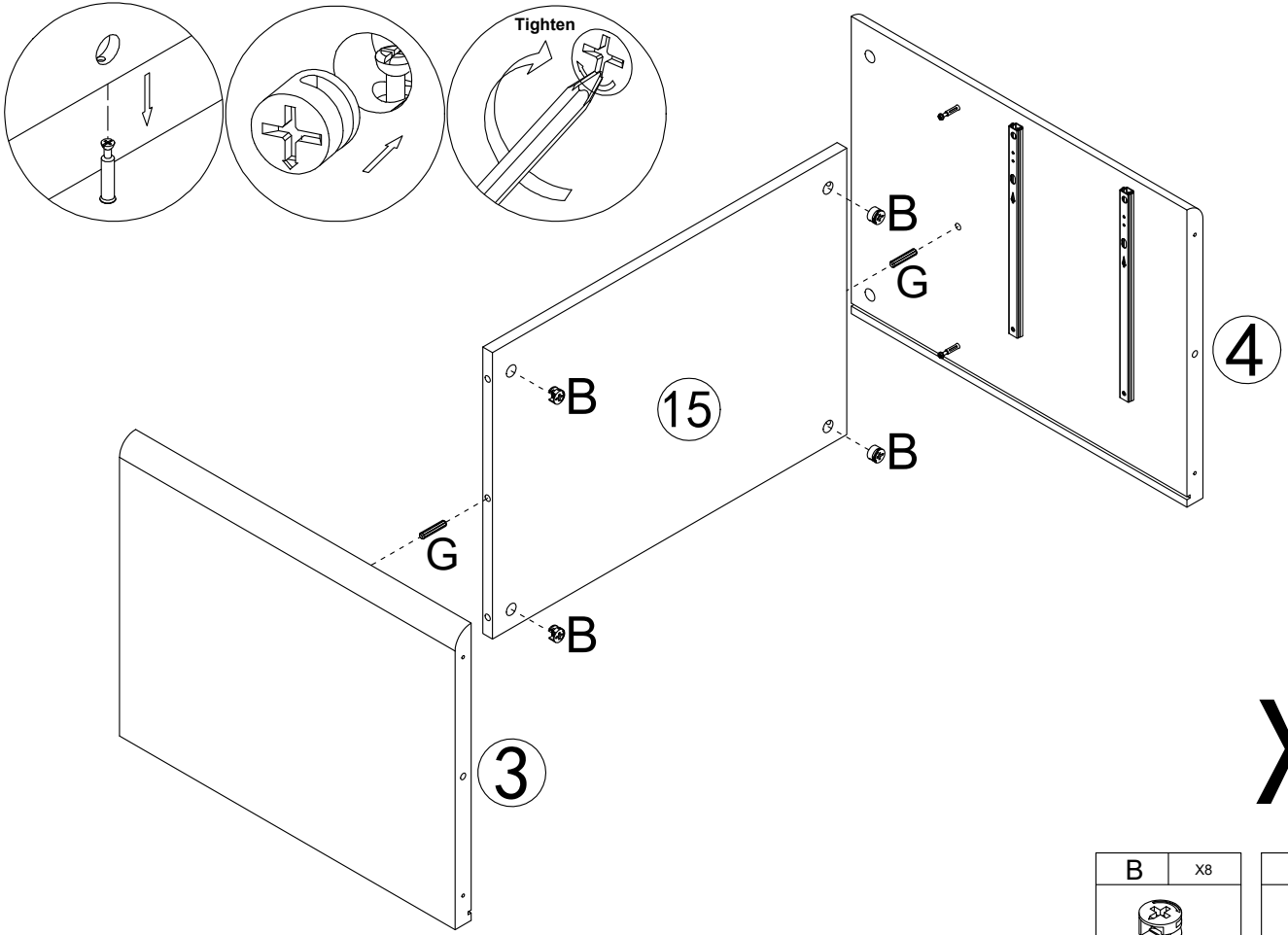


O	X4


C	X12
M3.5x12mm	


X2

5

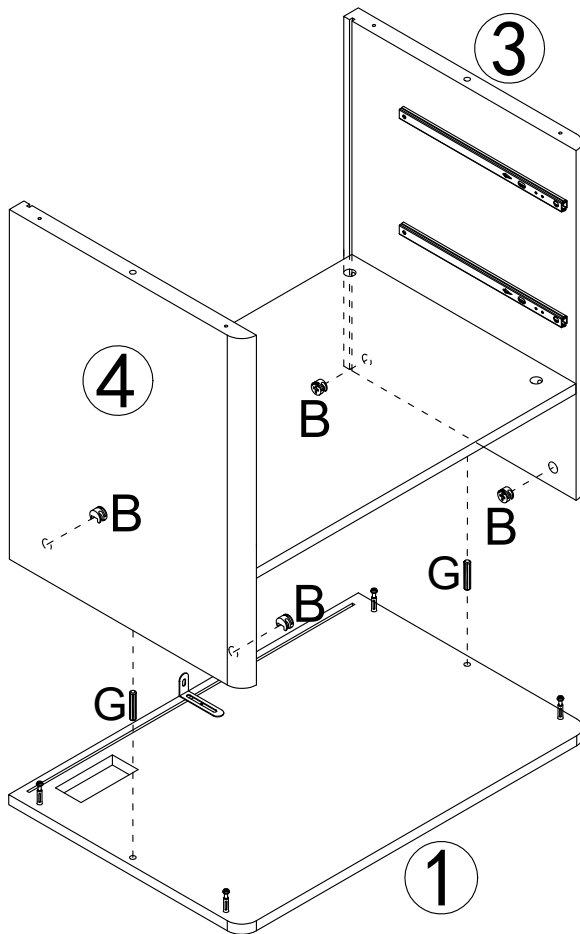


X2


B	X8
	
Ø15x9mm	


G	X4
	
Ø8x30mm	

6

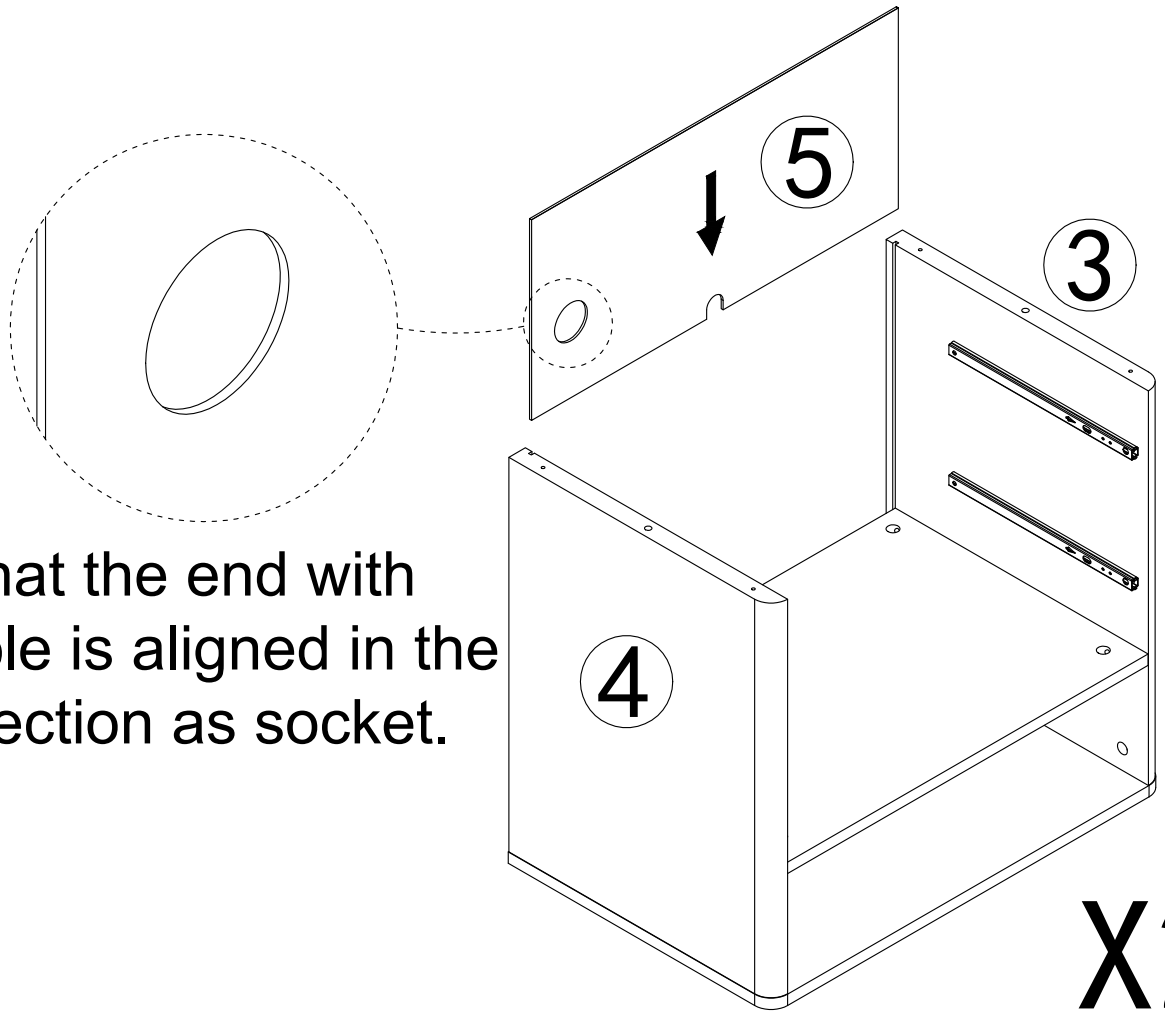


X2

B	X8
	
Ø15x9mm	

G	X4
	
Ø8x30mm	

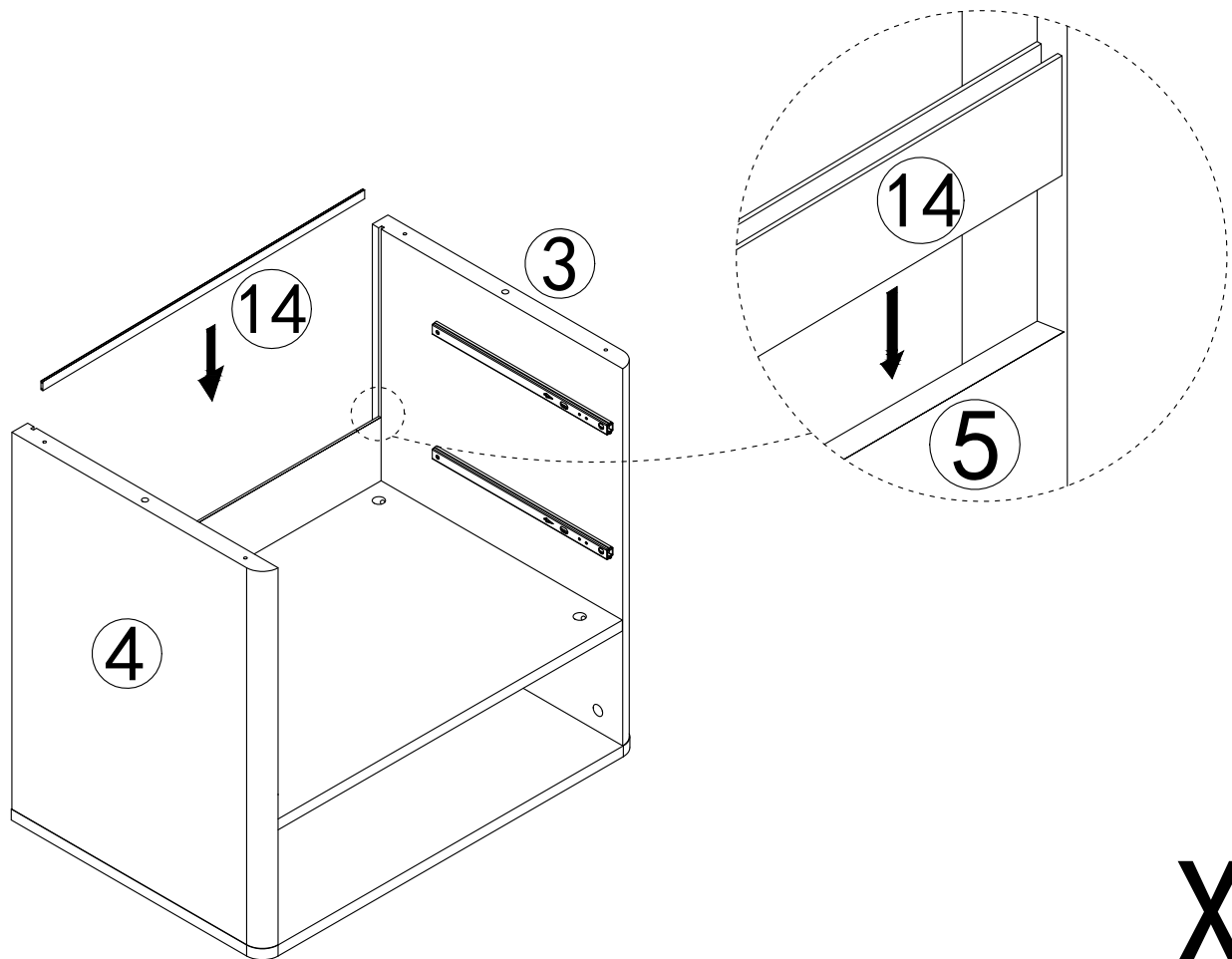
7



Ensure that the end with power hole is aligned in the same direction as socket.

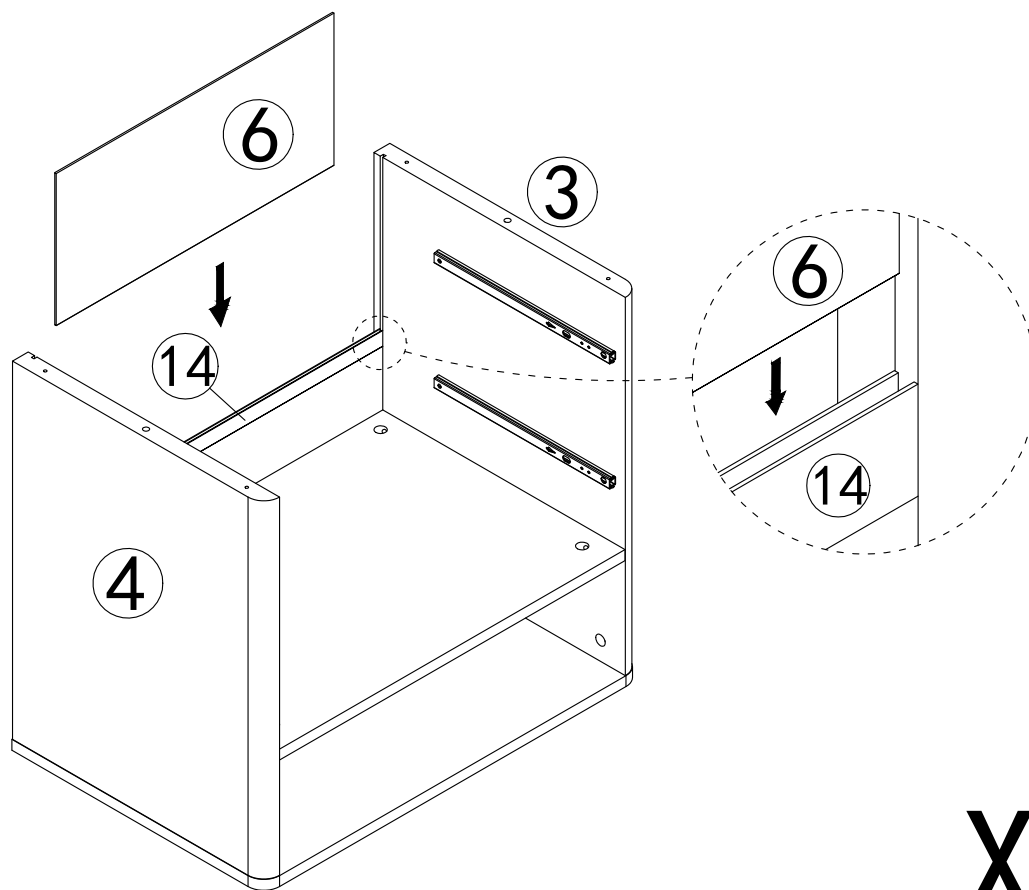
X2

8



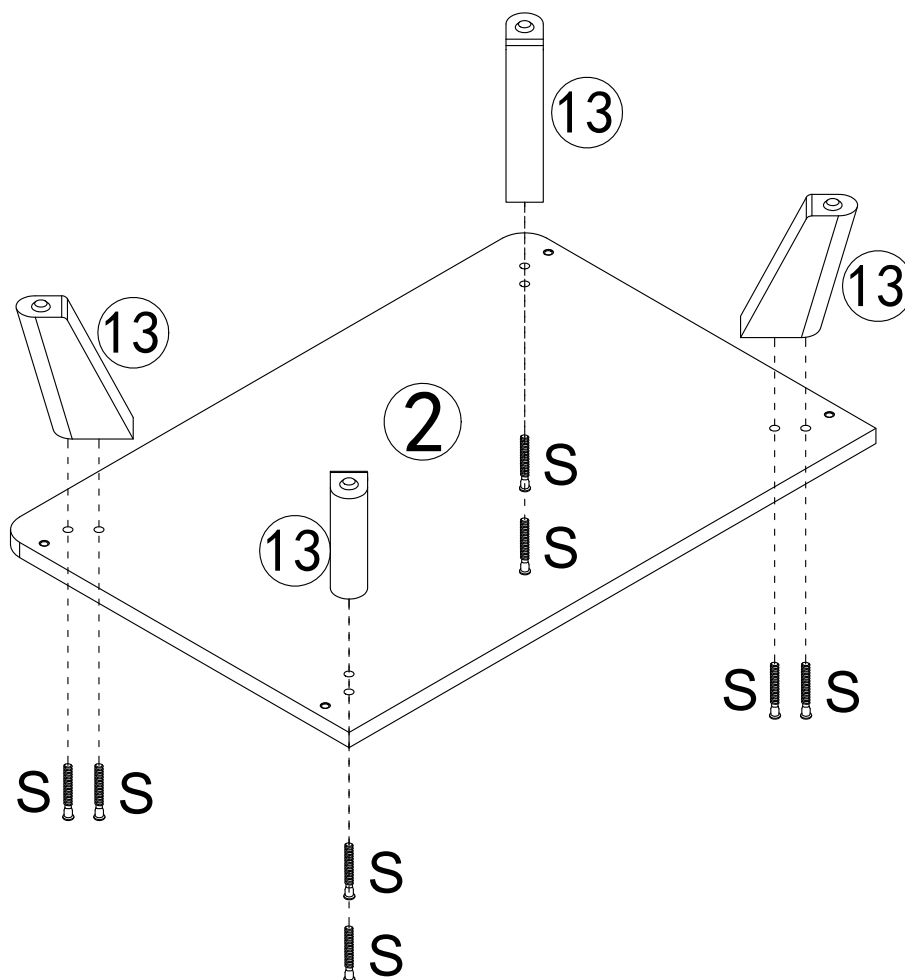
X2

9




X2

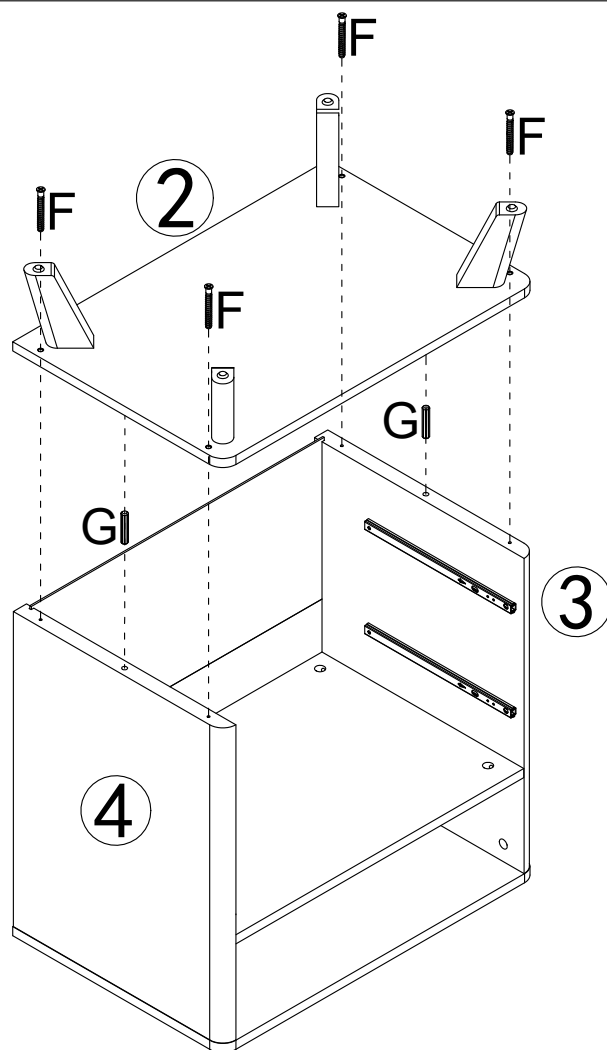
10




X2


S	X16
	
M7x50mm	

11

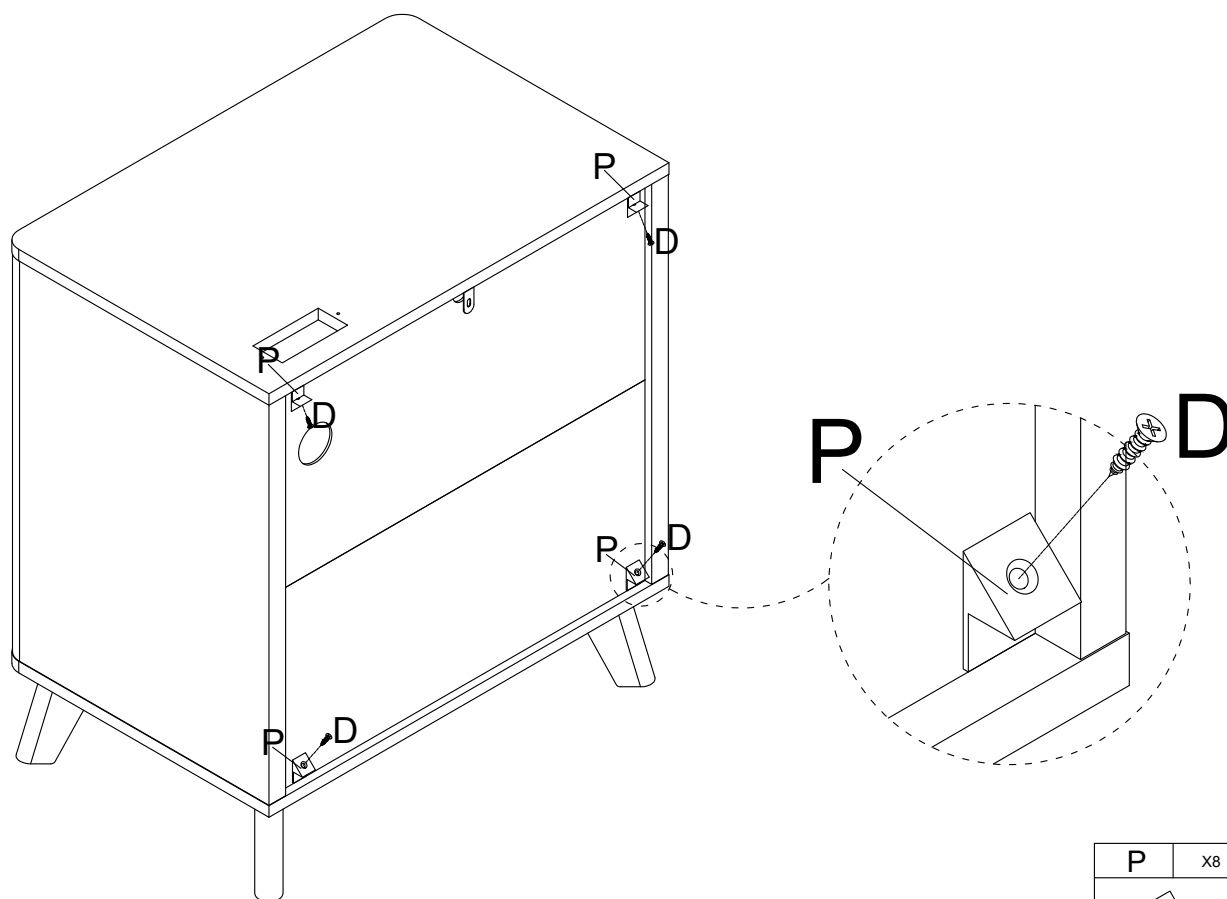


X2


G	x4
	
Ø8x30mm	


F	x8
	
M5x40mm	

12

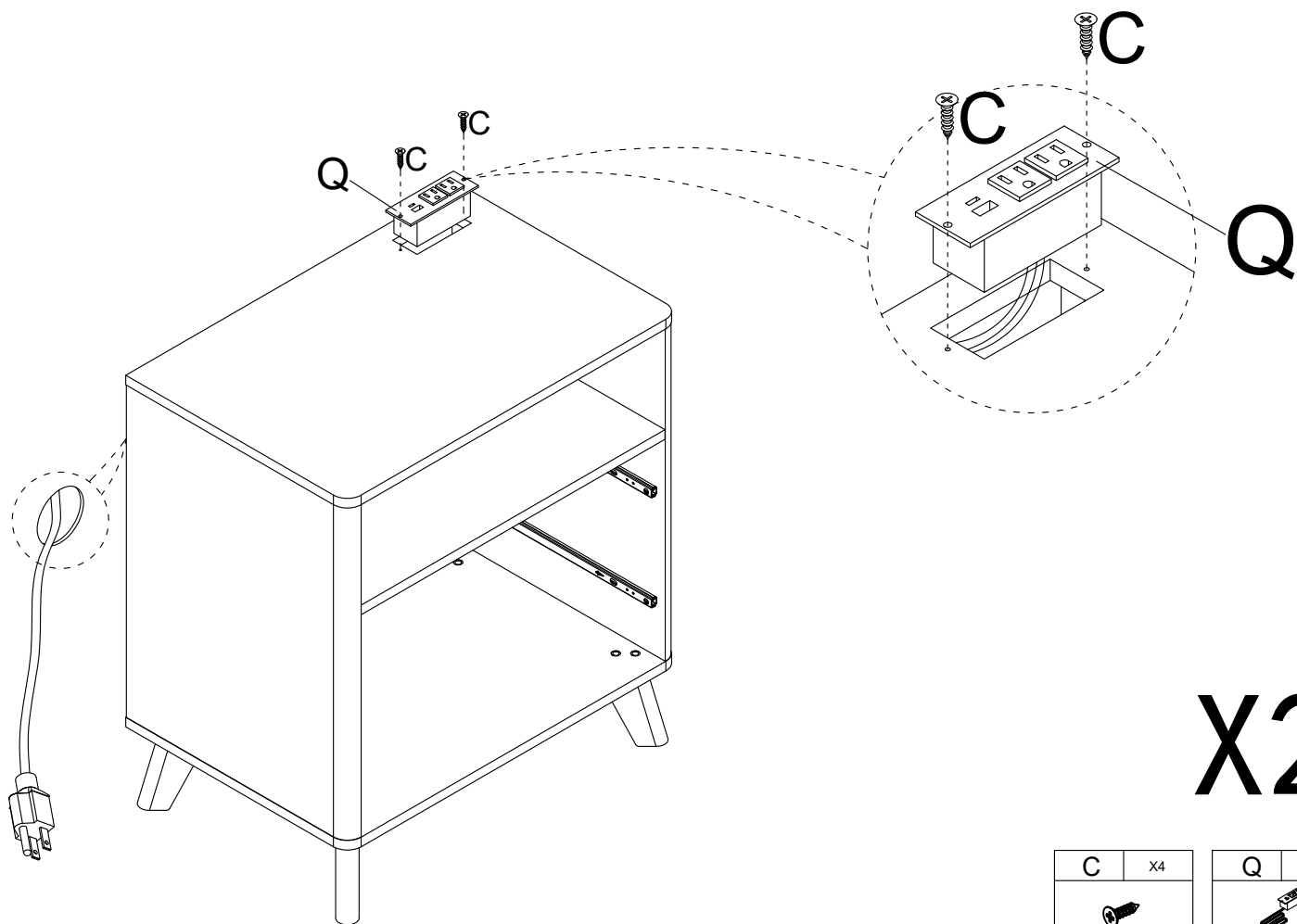


X2


P	x8
	


D	x8
	
M3x16mm	

13

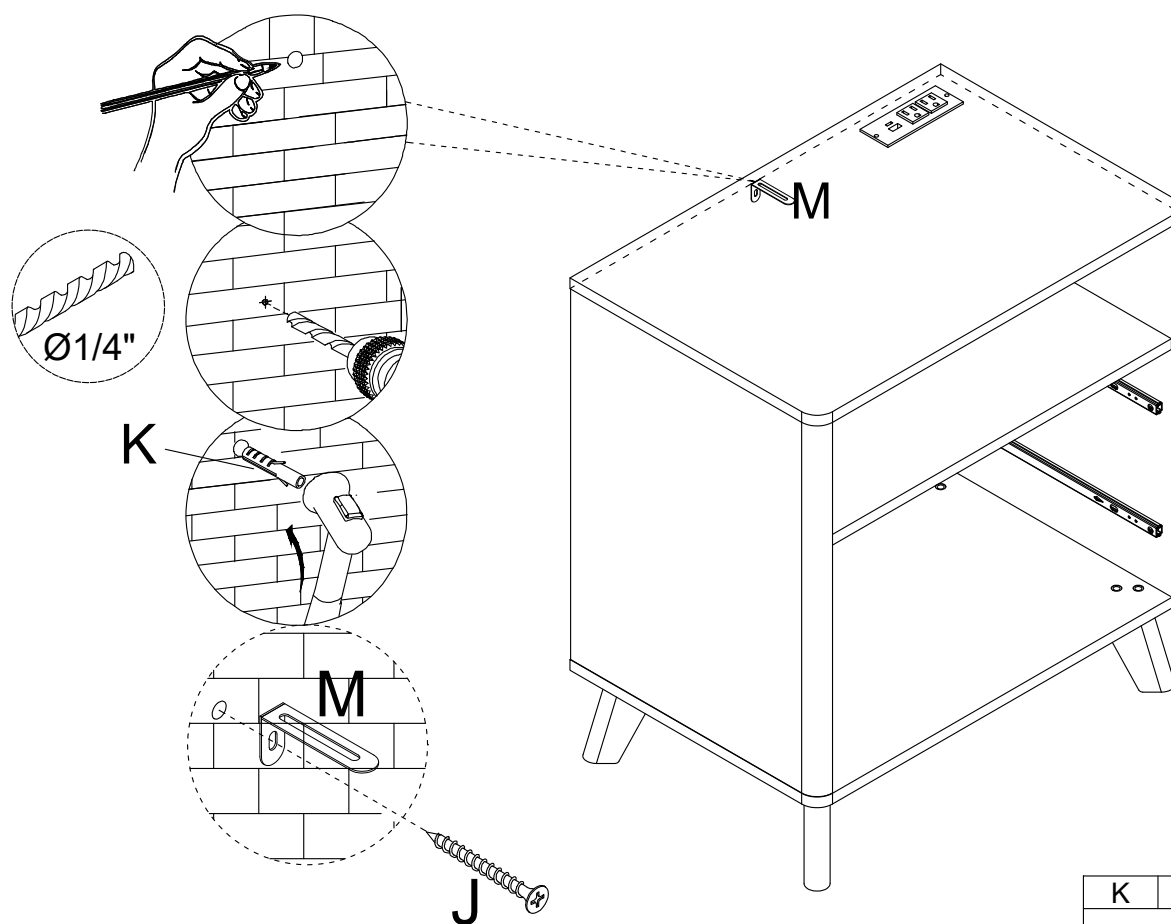


X2


C	X4
	
M3.5x12mm	


Q	X2
	

14

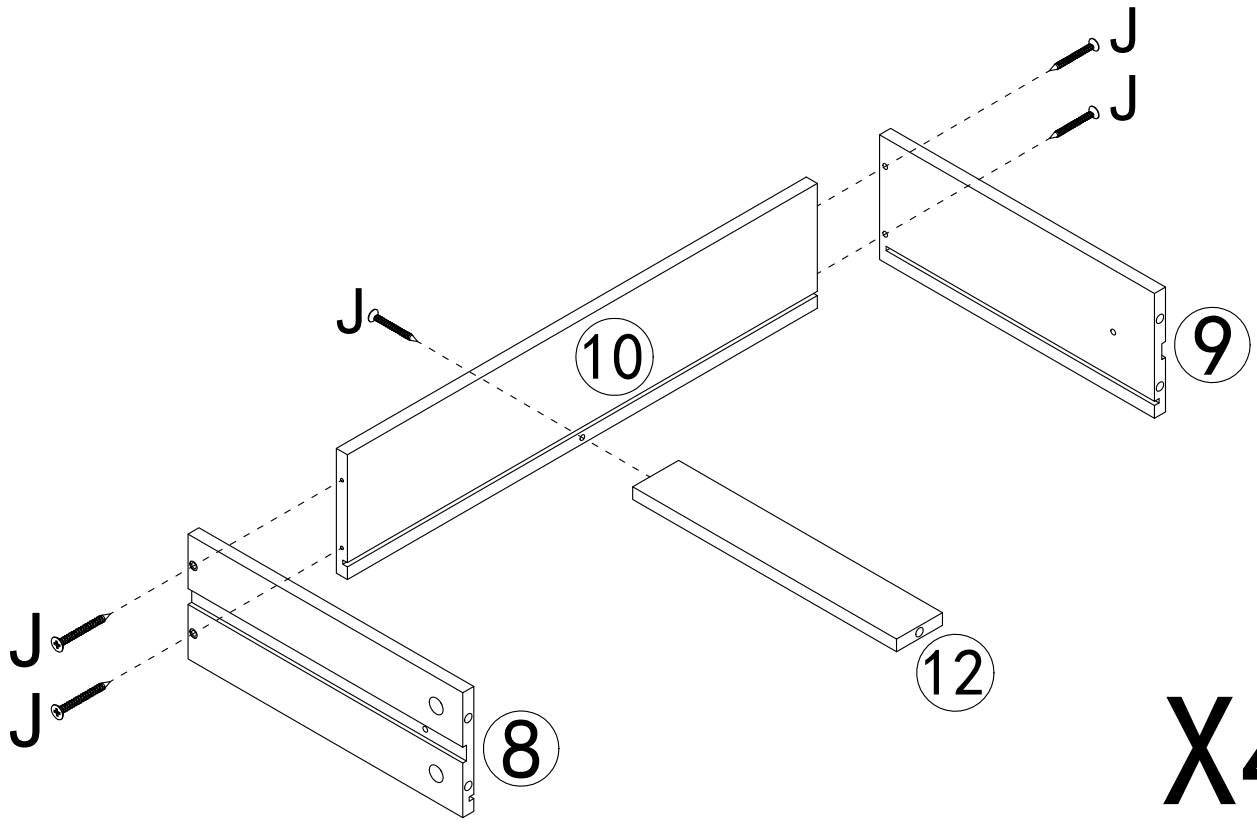


X2


K	X2
	
Ø6x30mm	

J	X2
	
M4x35mm	

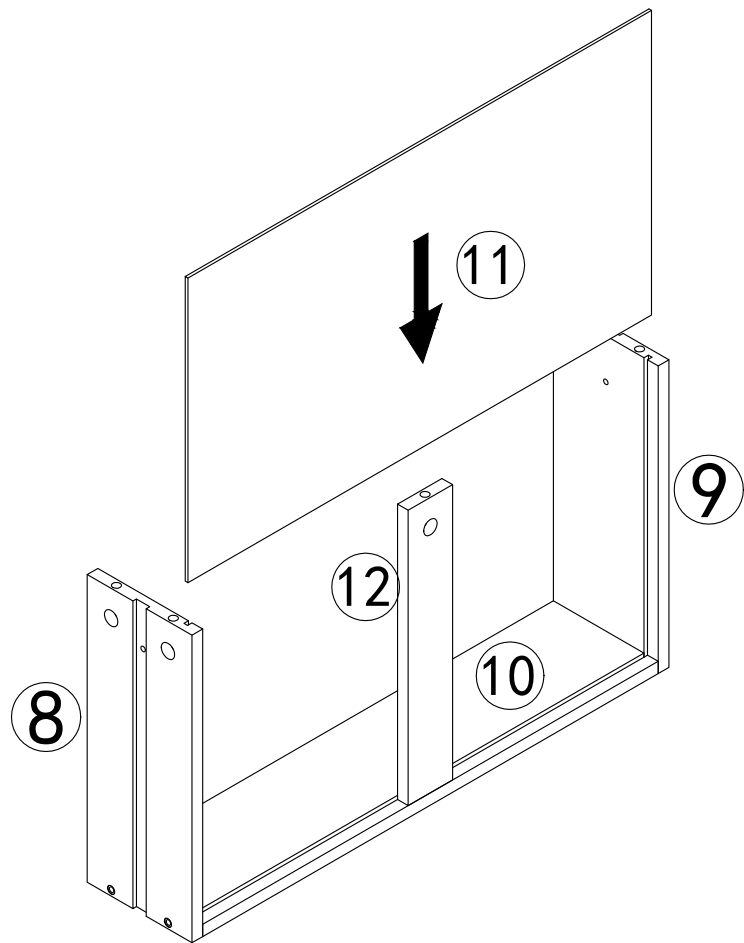
15



X4

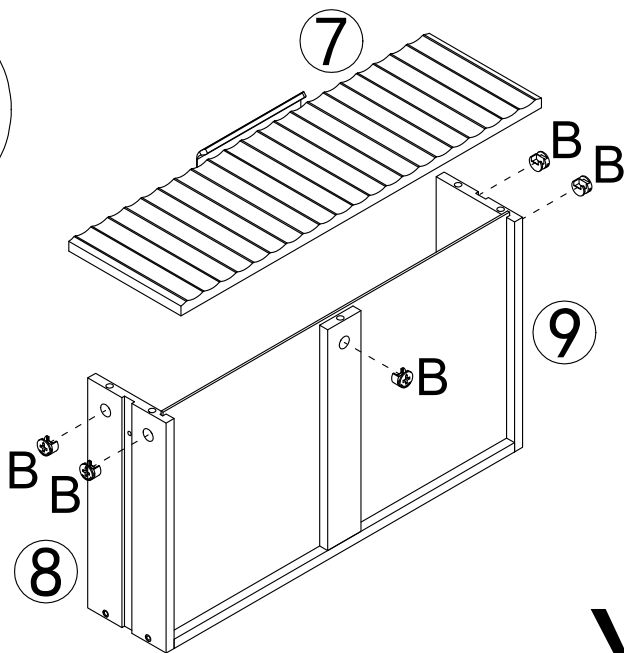
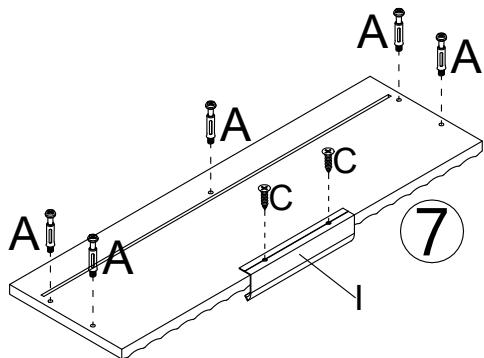
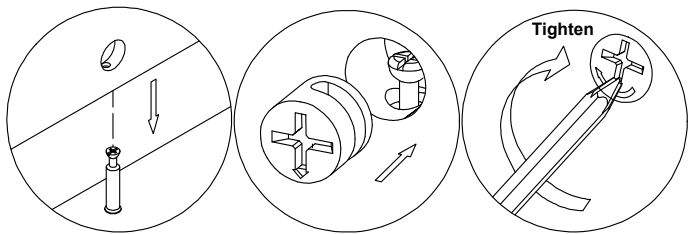
J	X20
	
M4x35mm	

16



X4

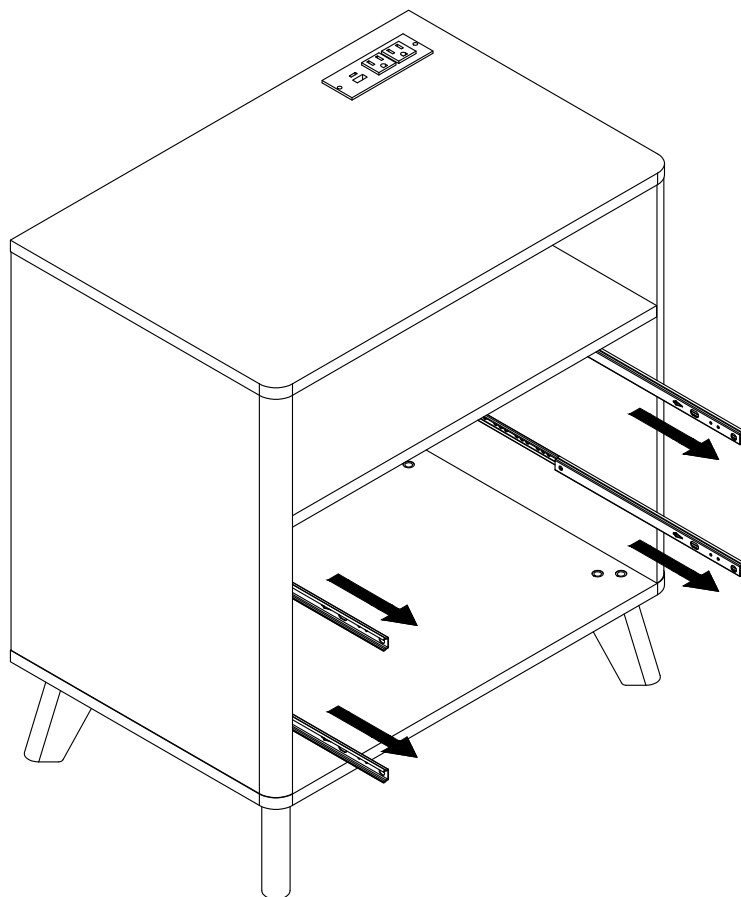
17



X4

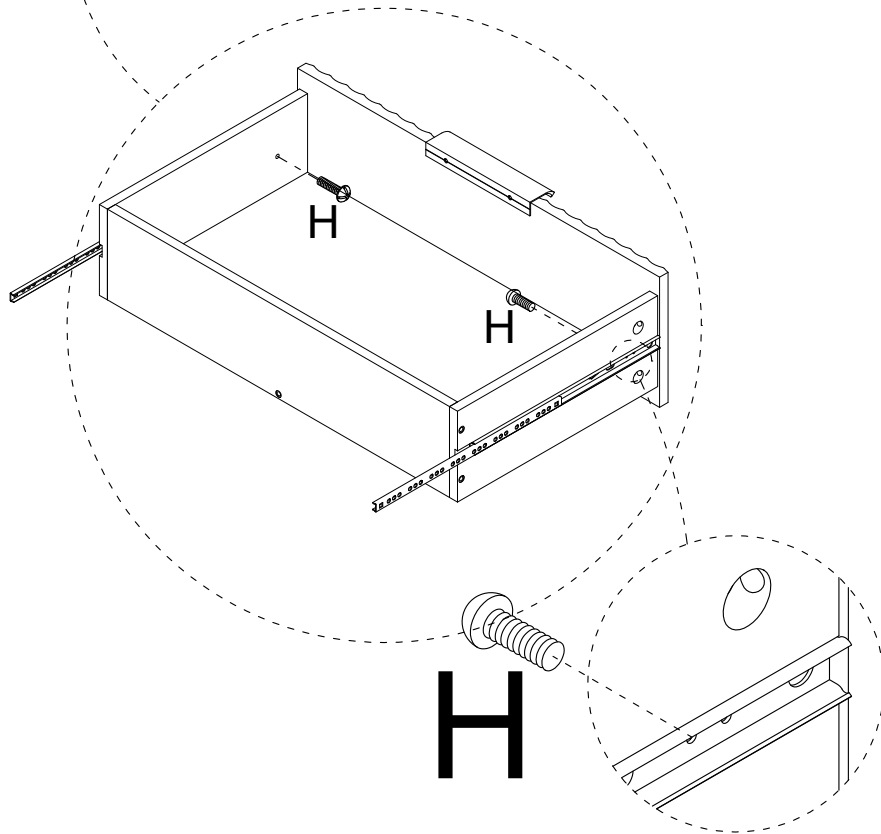
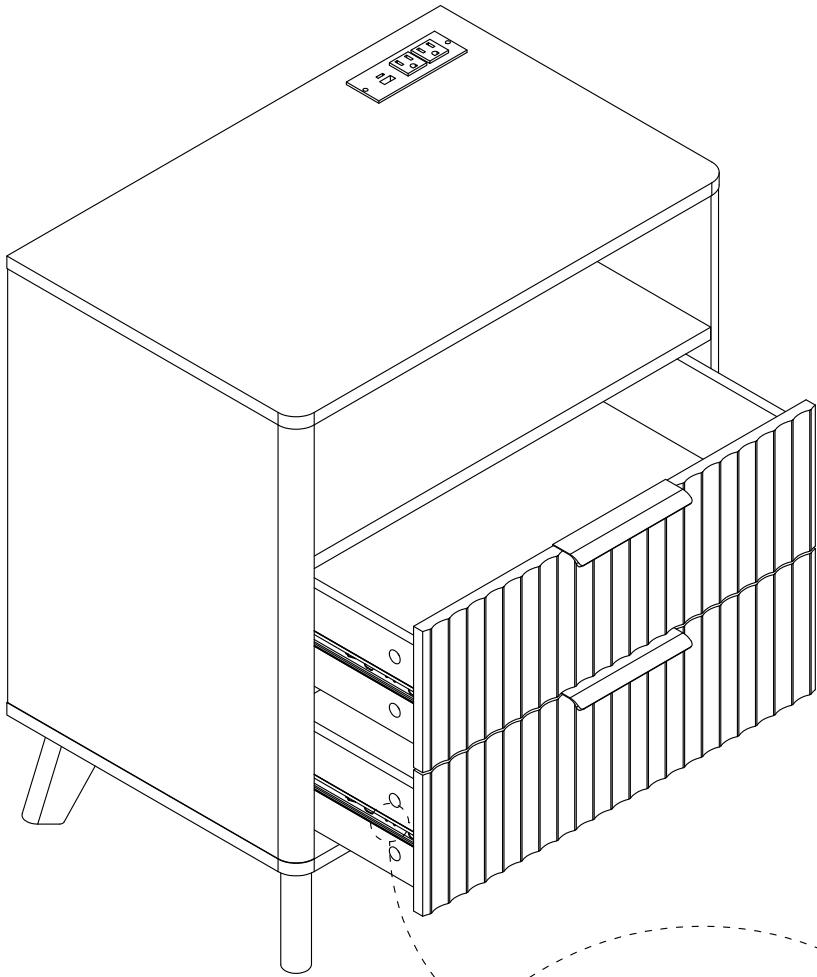
I	X4	C	X8	A	X20	B	X20
			M3.5x12mm		M6x35mm		Ø15x9mm

18




X2

19



X2

H	X8
	
M4x10mm	