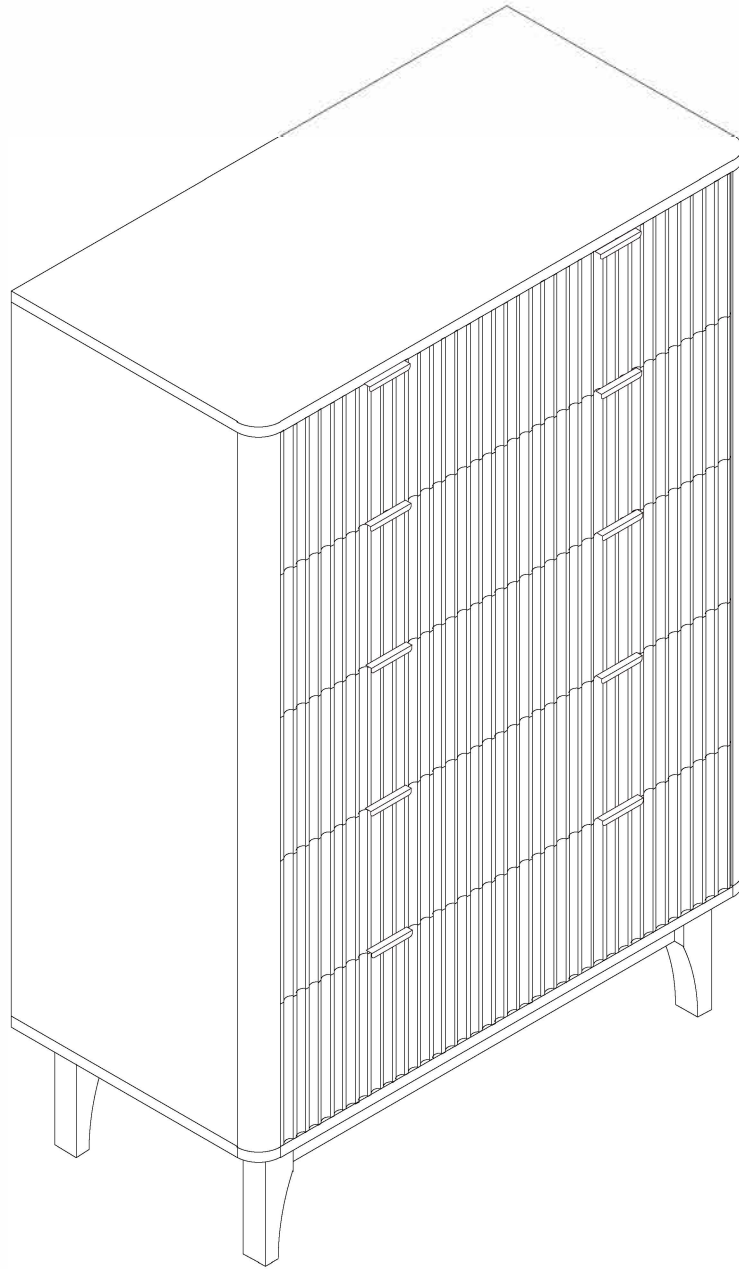


INSTRUCTION MANUAL



Thank you for purchasing our product.

Please contact us and Leave ordernumber if you have difficulty with installing or need replacement parts.

Customer service is here to assist you all the time.

General Guidelines:

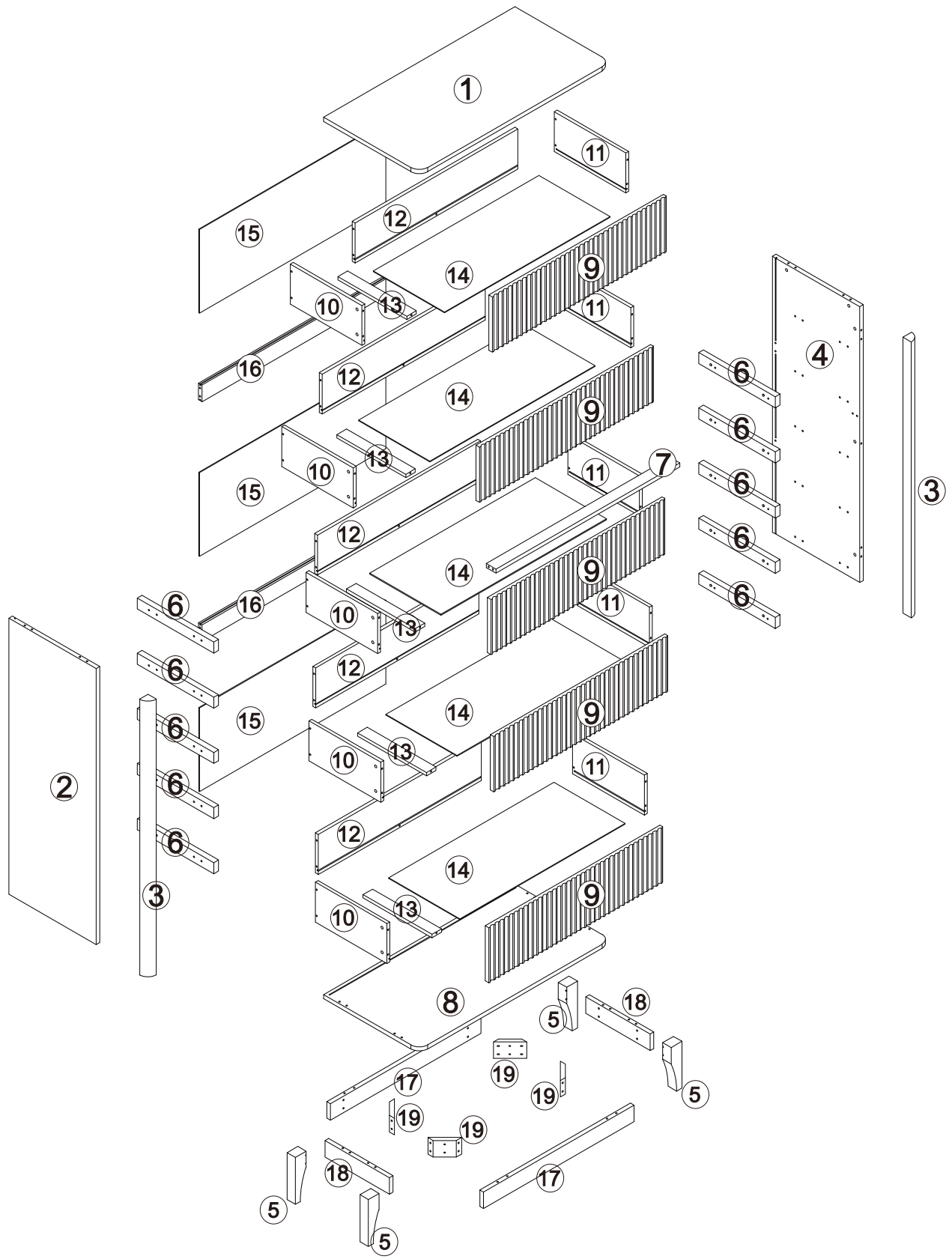
1. Please read the following instruction carefully and use the product accordingly.
2. Please keep this manual and hand it over when you transfer the product.
3. This summary may not include every detail of all variations and considered steps. Please contact us when further information and help are needed.










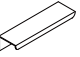







Notes:

1. This item is only intended to be used indoors. Personal injury and/or damage to product may occur if products are used outside of their intended purposes and/or if products have been changed/modified from their original design. The product must be assembled and used in accordance with the provisions of the manual. The seller does not assume any responsibility or liability with respect to any damage caused by incorrect assembly or improper use.
2. It is recommended that assembly is undertaken by at least 2 adults. Please read assembly instructions before assembly and strictly adhere to each step outlined.
3. If there is/are defective and/or missing part/s after unpacking, please cease assembly immediately and get in contact with us.
4. Please assemble the item in a spacious room and do not place the unwrapped product directly on the ground to avoid damage. It is recommended to wear gloves during the assembly to avoid scratches from any sharp edges.
5. Please do not stand, sit or place heavy items on the wooden boards or other parts before assembly to avoid cracks or distortion of the wooden boards. Cracks or distortion will affect the assembly and normal use.
6. Please match the corresponding board and fitting based on the part number in the manual. If the board does not match with the fitting, please check the pieces as specified in this manual.
7. Please refer to the diagram during assembly. Align all screws with the related pre-drilled holes first and later tighten the screws one by one only after putting all the parts in their correct places.
8. Periodically inspect screw tightness while the product is in use. If necessary, retighten to ensure structural integrity.
9. Do not expose product to direct sunlight exposure or rain; and do not put it in a humid place. Failure to do so may accelerate the distortion, discoloration or cause fissures. Never touch with sharp objects or corrosive chemicals, which may damage the surface of the item.
10. For daily care, please clean with a damp cloth then immediately wipe dry.

Warnings:

1. It is strictly prohibited to sit or stand on the product.
 2. Please put this item on a flat ground.
 3. Don't use an electric drill to assemble this item.
 4. It is not intended for use by children under 3 years of age. Children must be under adult supervision to use the product.
 5. It is forbidden children to climb or play on the product to avoid serious body injury caused by the toppling.
 6. During the assembly process, keep any small parts out of the reach of children. It may be fatal if swallowed or inhaled.
- Ÿ To avoid the potential dangers of suffocation, please keep all parts and packaging (films, plastic bags and foam, etc.) away from babies and children.



 Ax45	 Bx45	 Cx42	 4x30 mm Dx45	 3.5x12 mm Ex60	 4x50 mm Fx8
 4x25 mm Gx16	 Hx8	 Ix10	 Jx10	 4x35 mm Kx4	 Lx12
 Mx1	 CLx5	 CRx5	 DLx5	 DRx5	

How to use furniture connector cam lock screw and fitting?

Eccentric wheel(A)

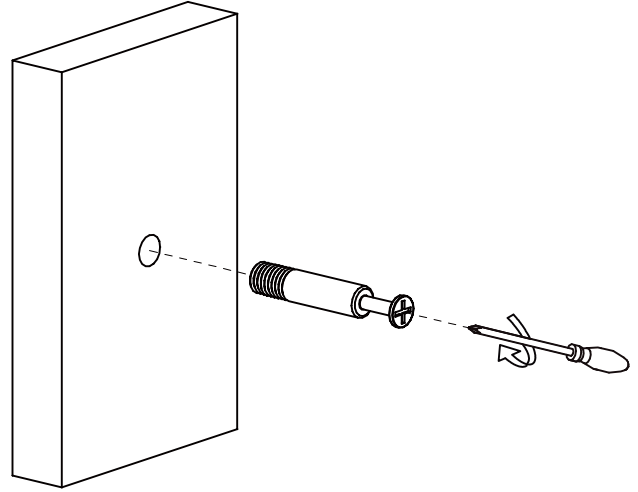


Dowel(B)



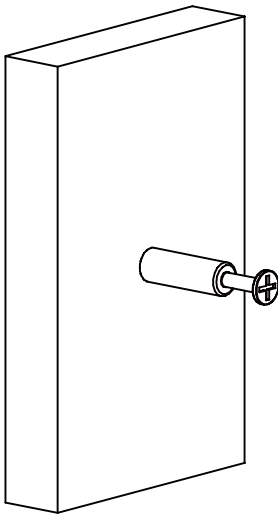
1

Use screwdriver to attach
dowel into pre-inserted nut



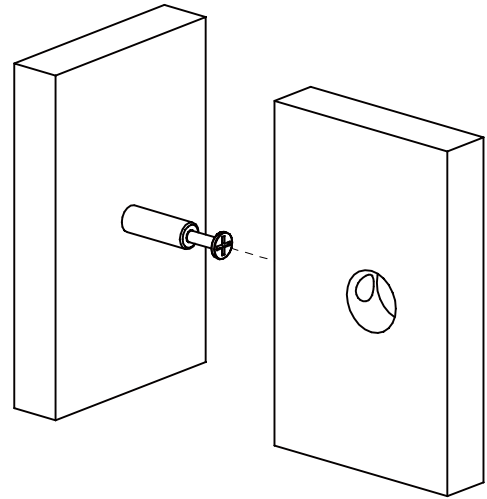
2

Step 1 completed



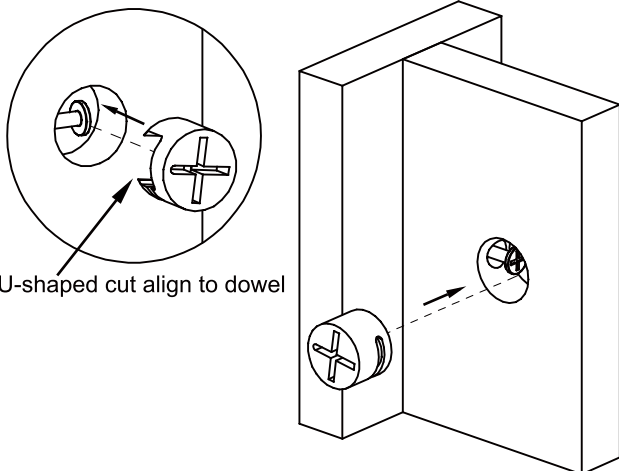
3

Attach dowel into hole on fitting board



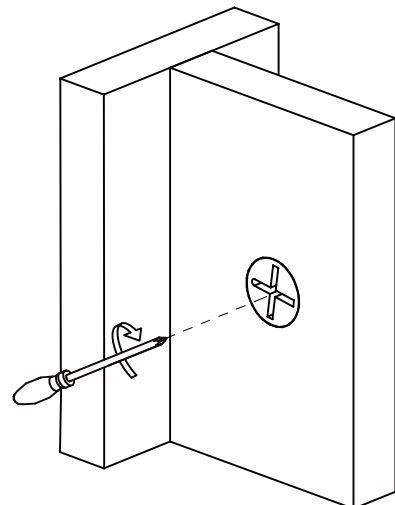
4

Put eccentric wheel (cam lock fitting) into hole

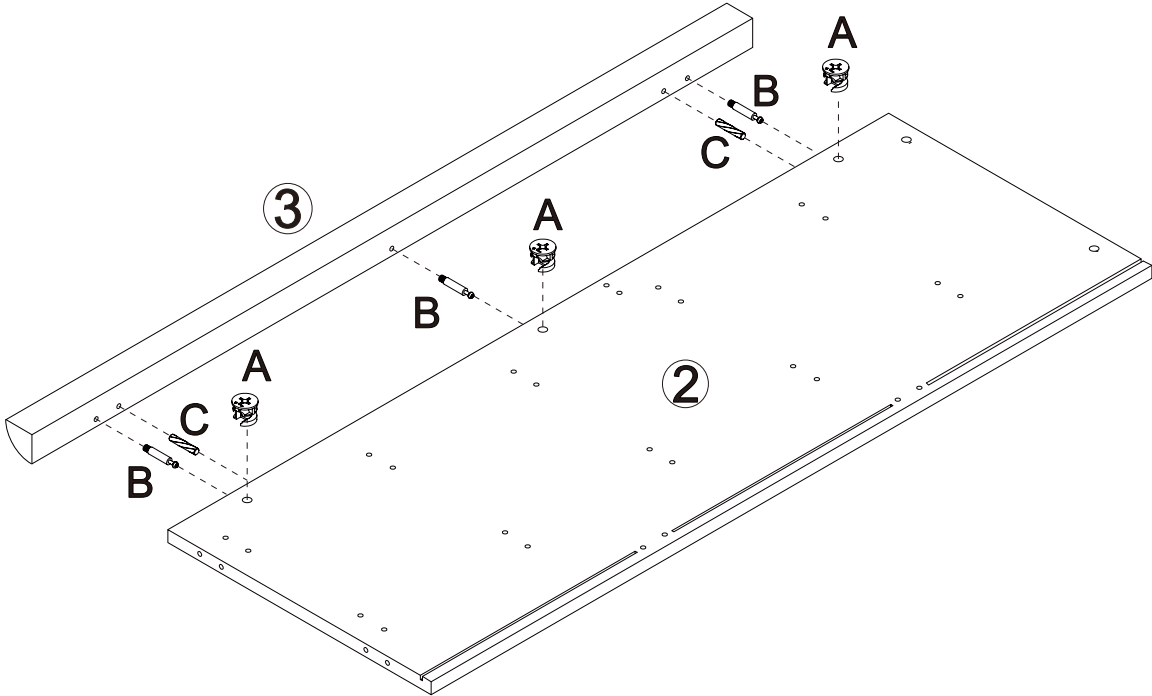





5

Tighten: Turn the eccentric wheel clockwise
Loosen: Turn it anticlockwise

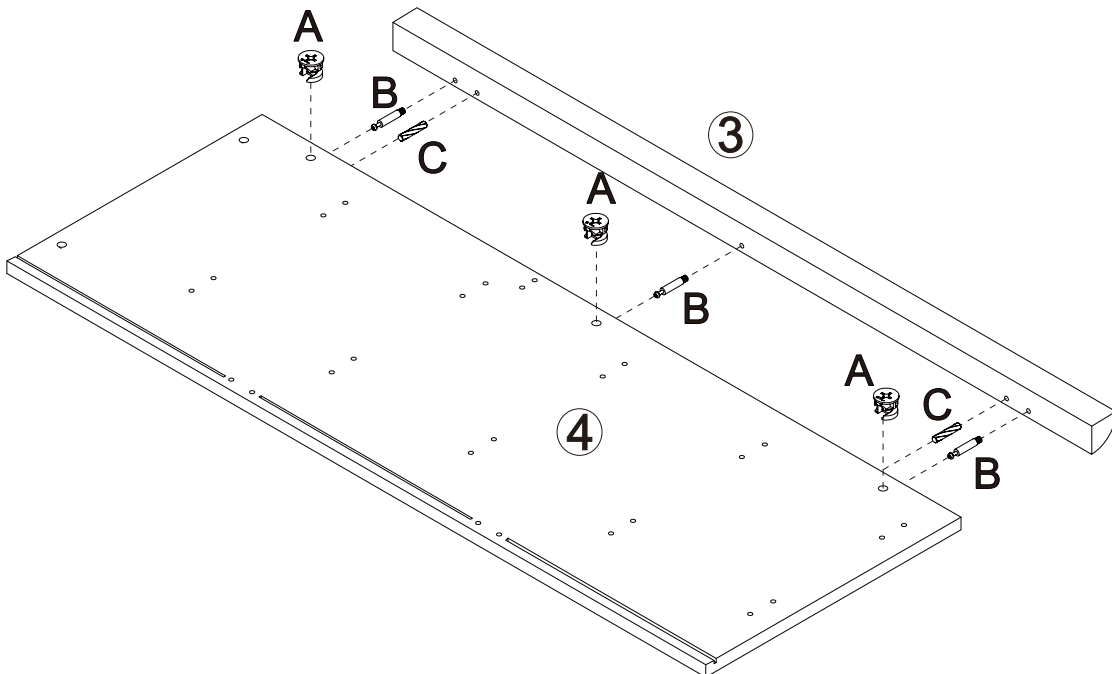





Step 1



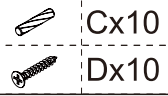
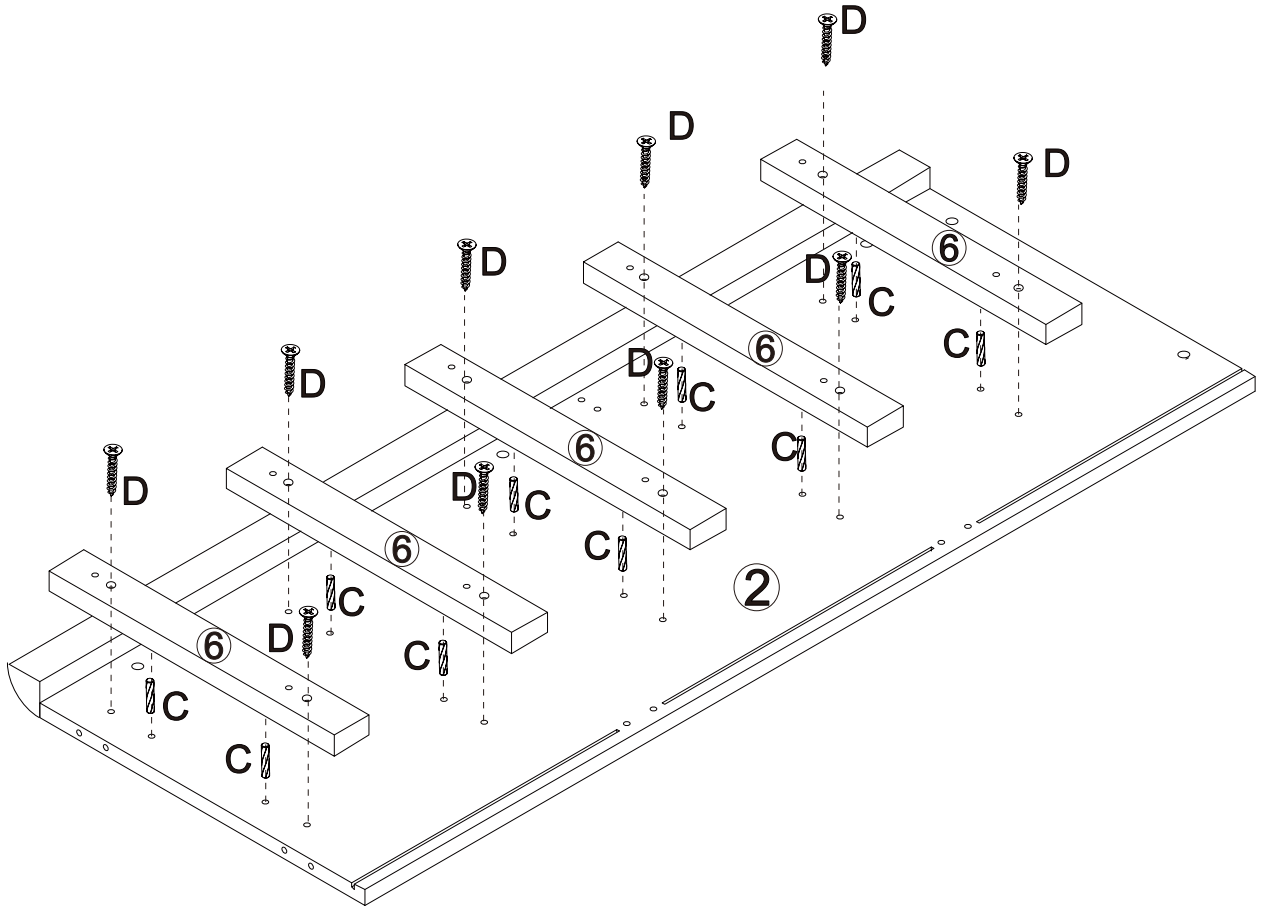
	Ax3
	Bx3
	Cx2

Step 2



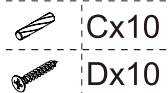
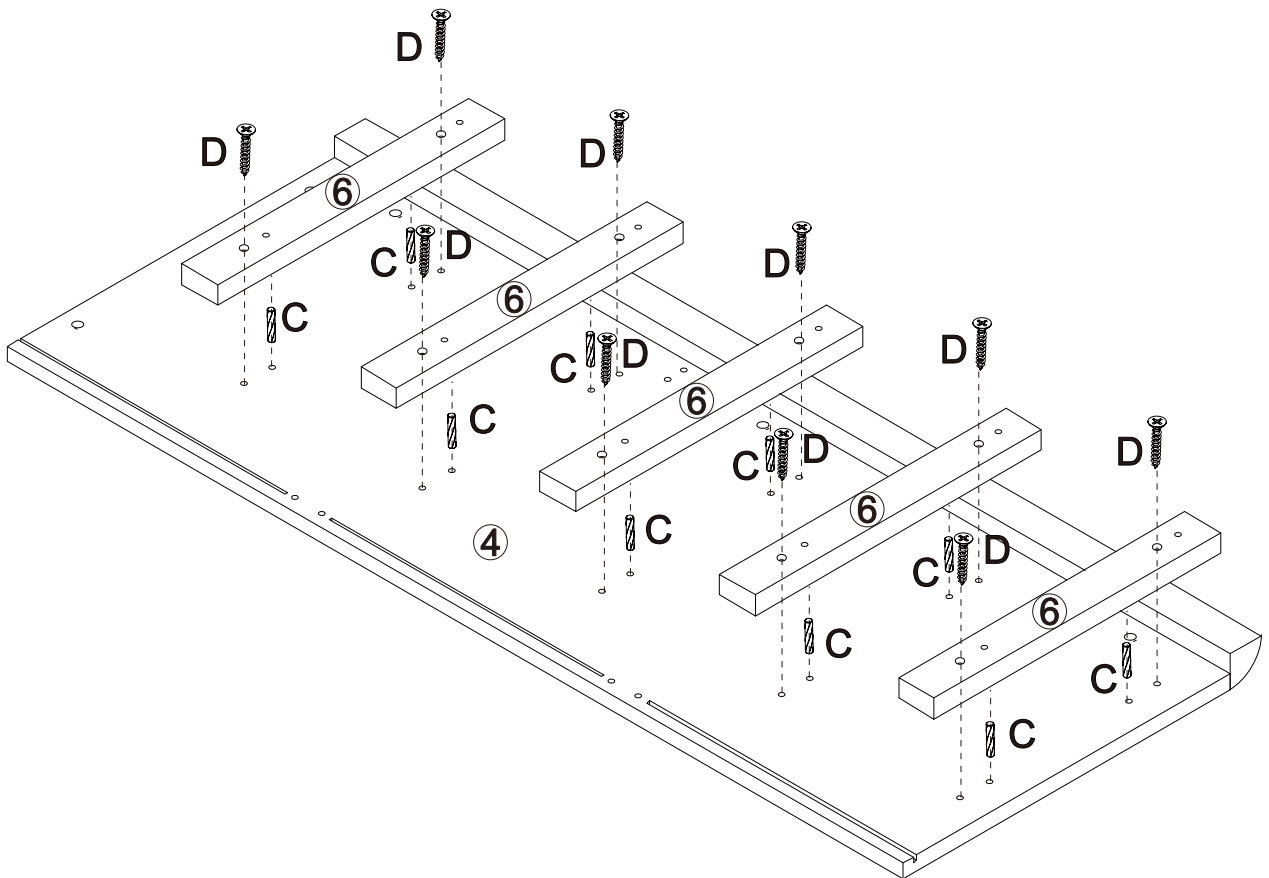
	Ax3
	Bx3
	Cx2

Step 3



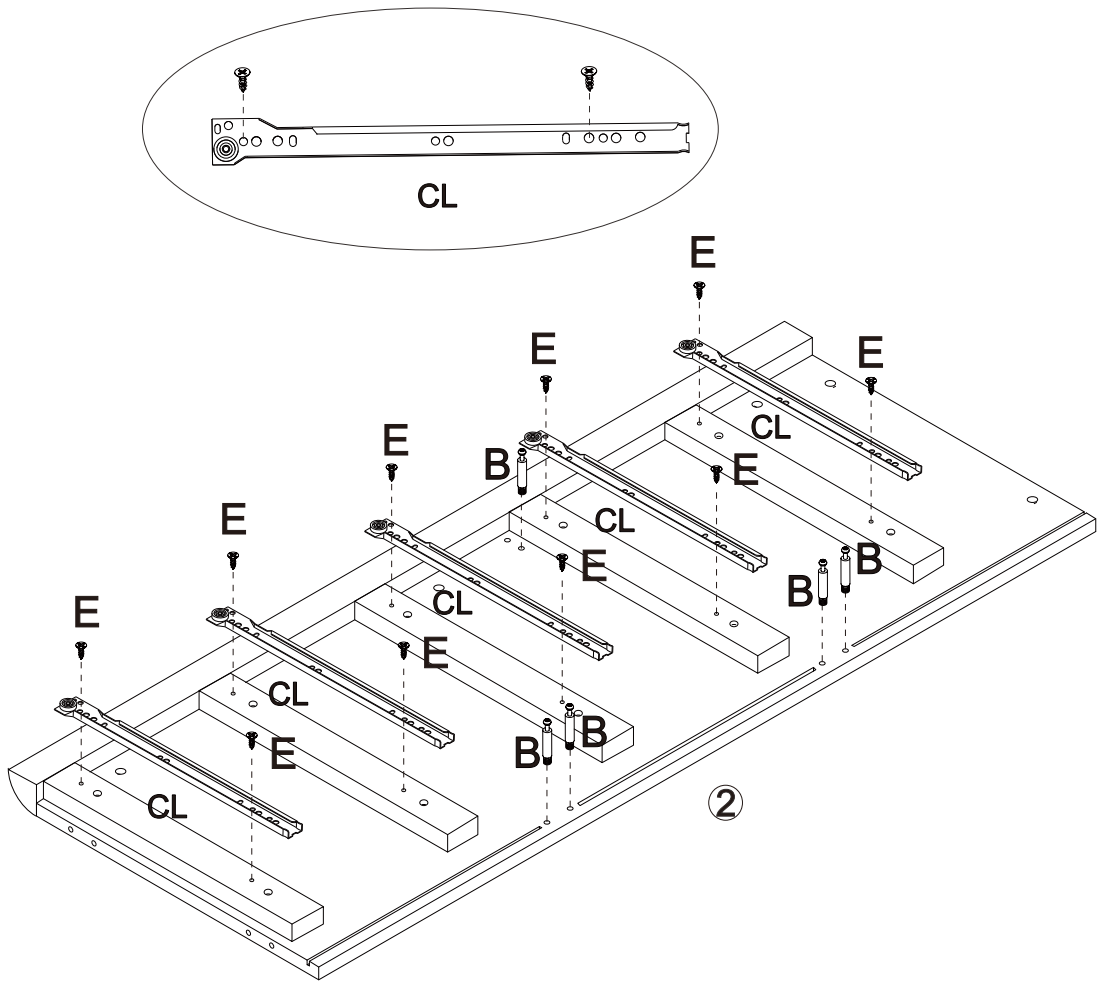
Before installation, please check whether the number of screws is correct.




Step 4



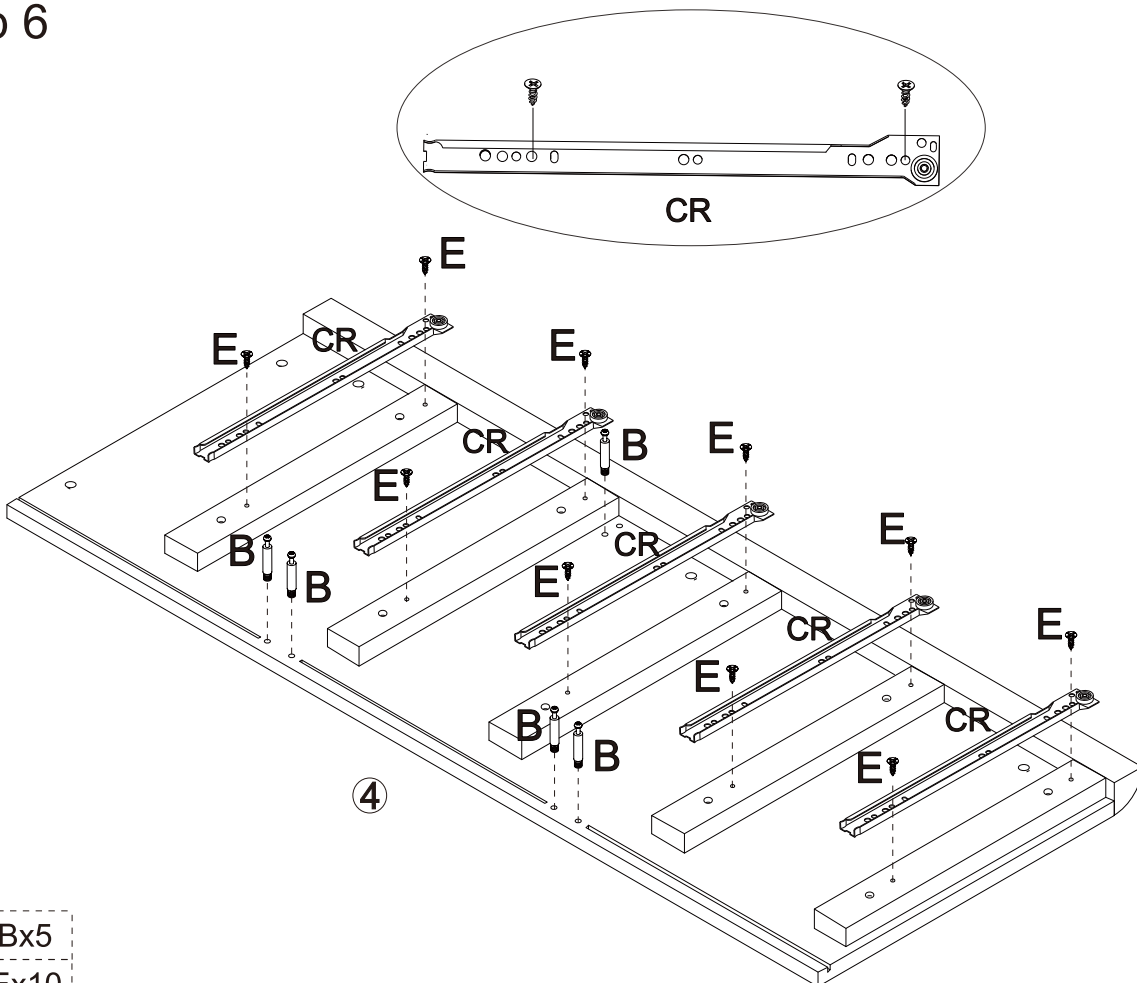
Before installation, please check whether the number of screws is correct.




Step 5



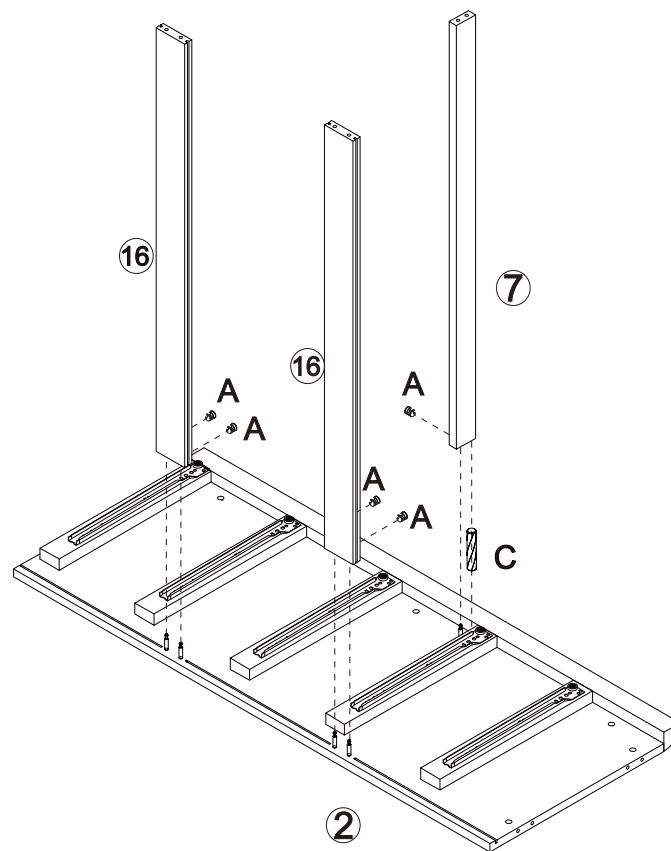
-  Bx5
-  Ex10
-  CLx5

Step 6



-  Bx5
-  Ex10
-  CRx5

Step 7

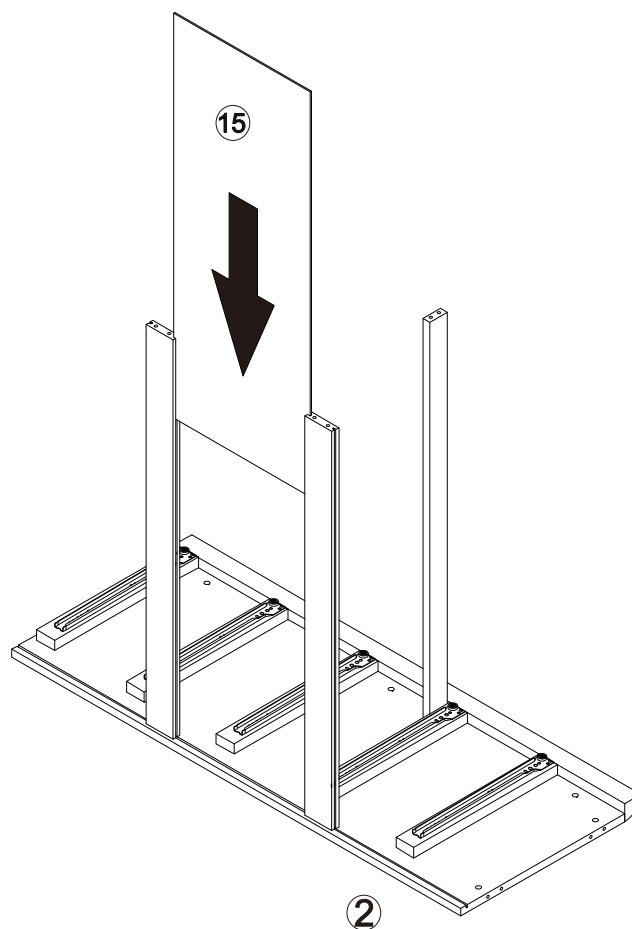


Ax5



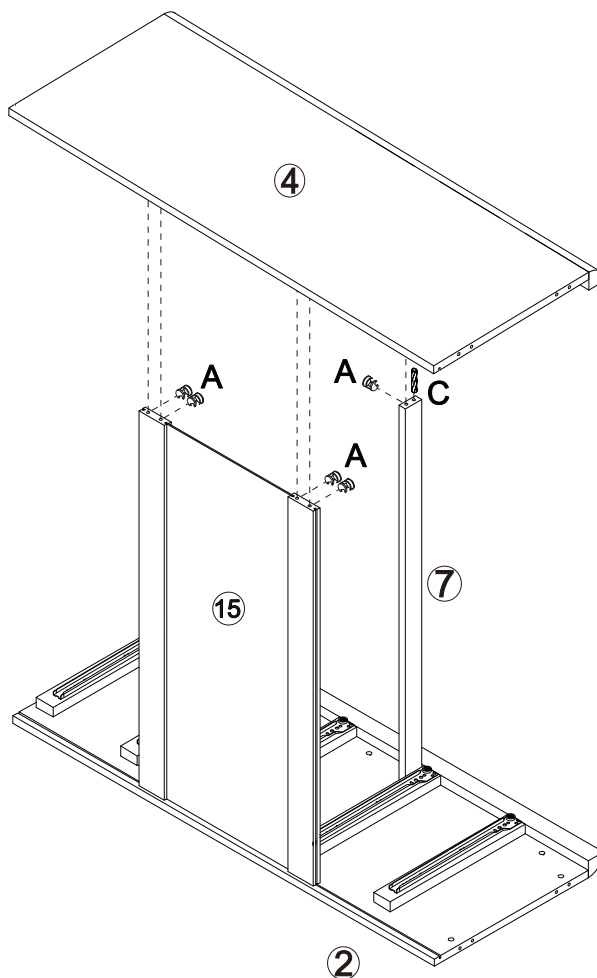
Cx1

Step 8



It is recommended that assembly is undertaken by at least 2 adults.
Be careful to support the wooden board.

Step 9



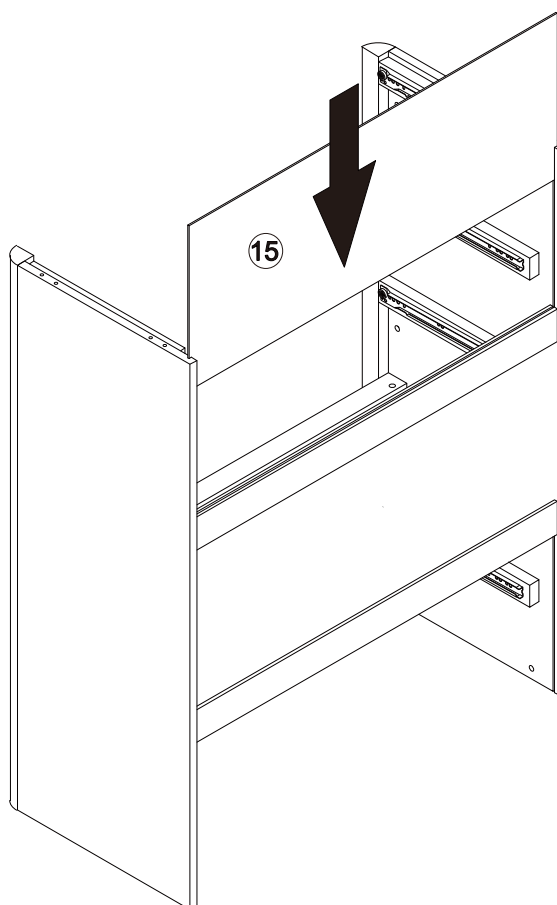
Ax5



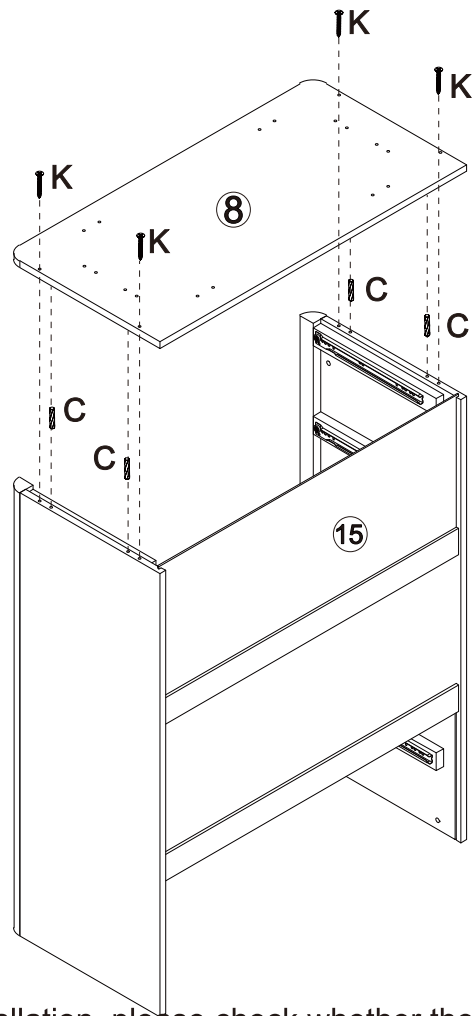
Cx1

It is recommended that assembly is undertaken by at least 2 adults.
Be careful to support the wooden board.

Step 10

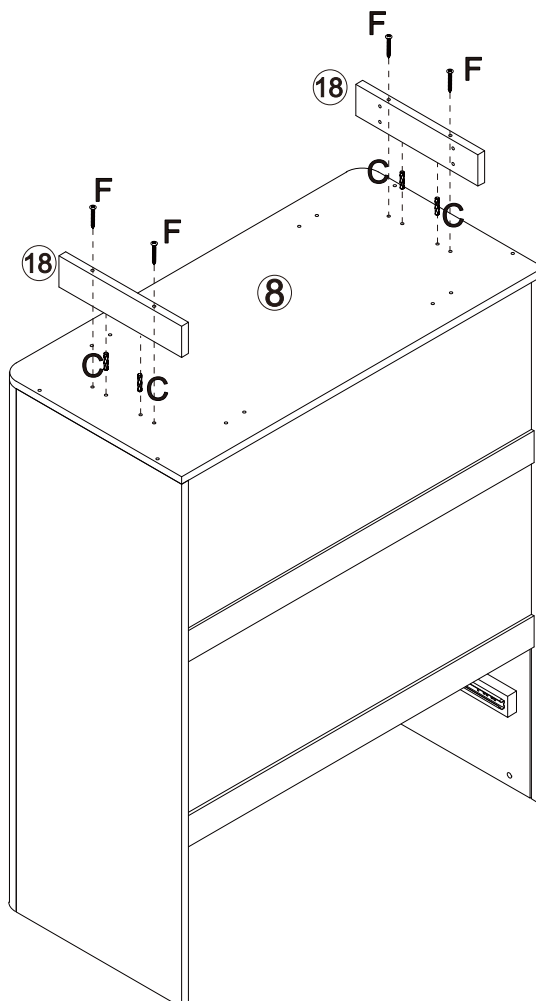


Step 11



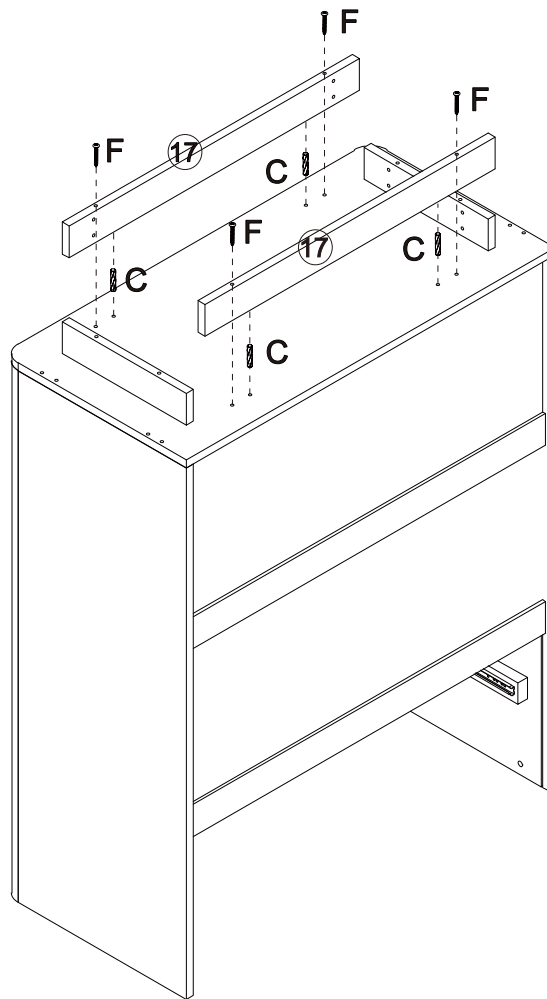
Before installation, please check whether the number of screws is correct.

Step 12



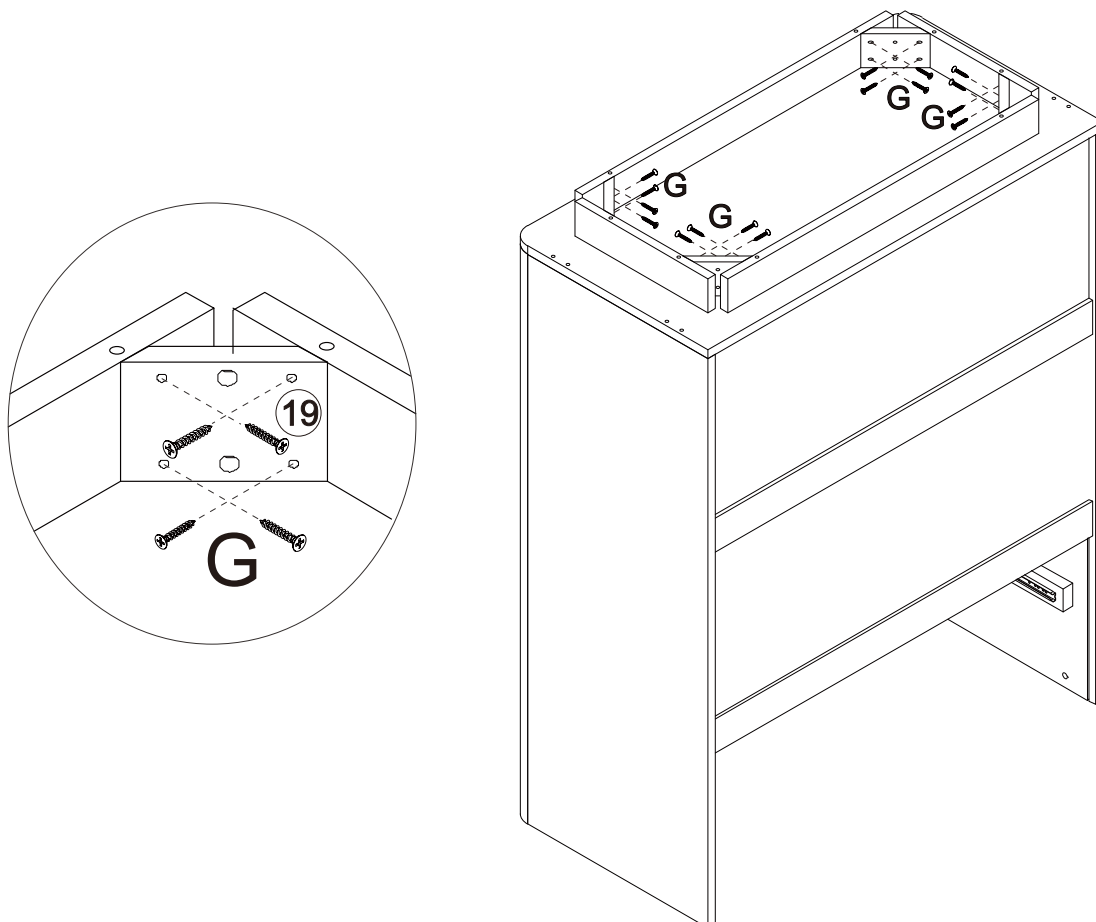
Before installation, please check whether the number of screws is correct.

Step 13



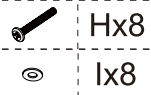
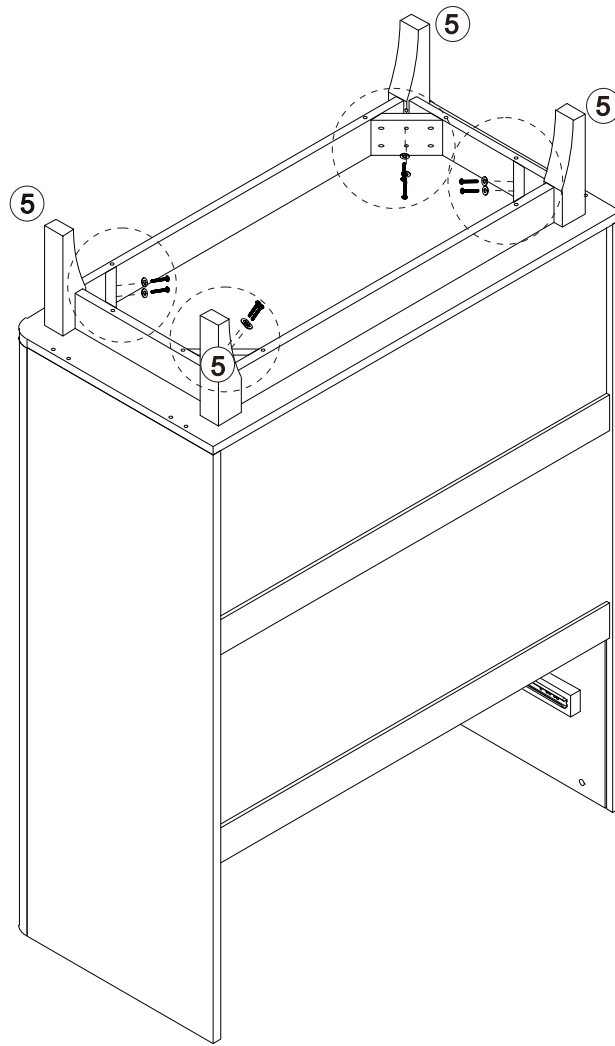
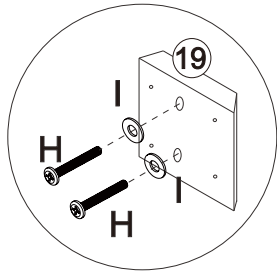
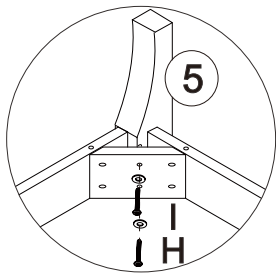
Before installation, please check whether the number of screws is correct.

Step 14

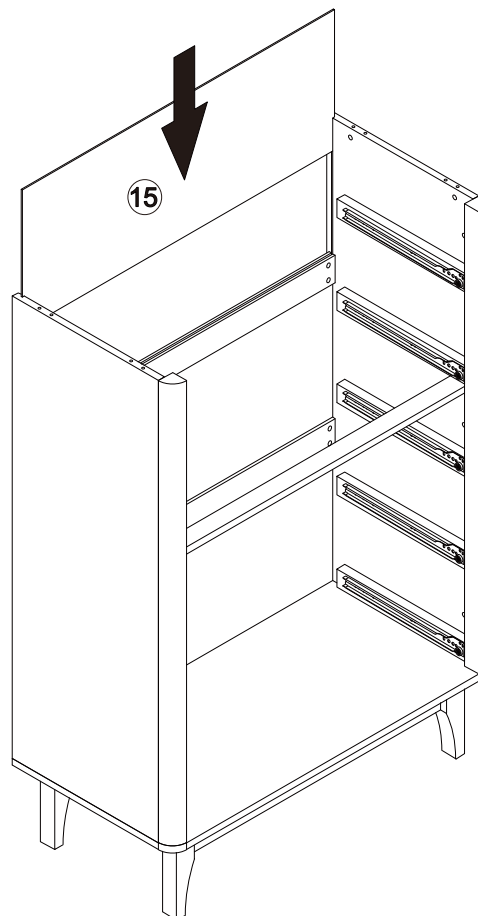


Before installation, please check whether the number of screws is correct.

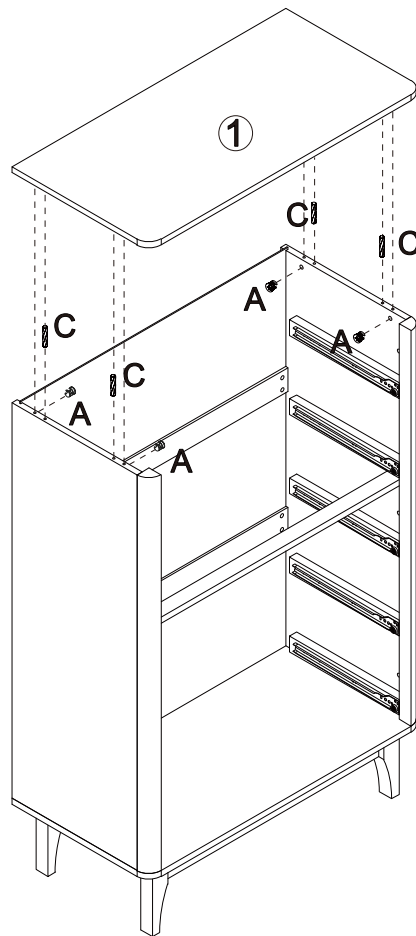
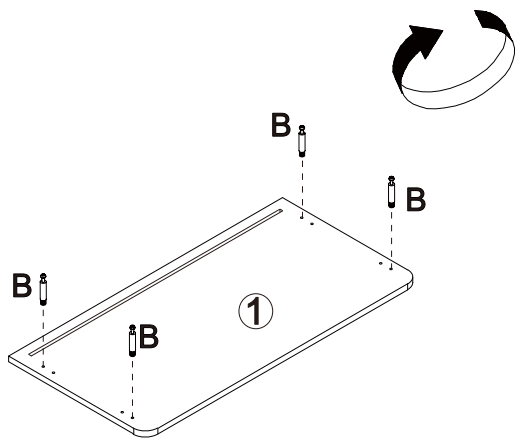
Step 15






Step 16

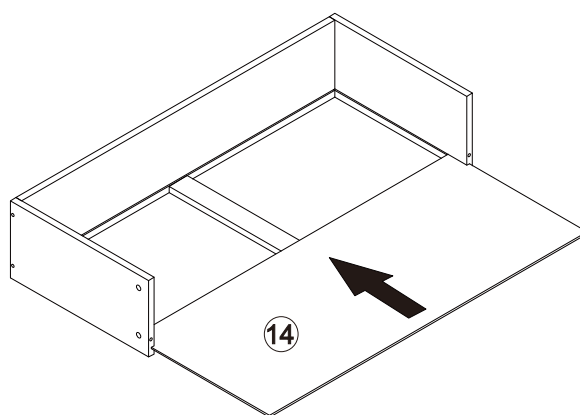
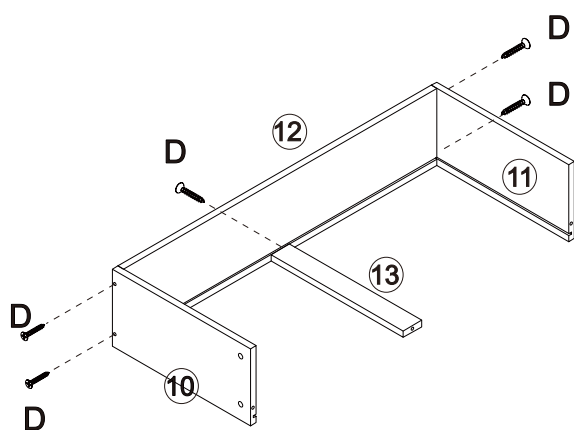


Step 17



	Ax4
	Bx4
	Cx4

Step 18

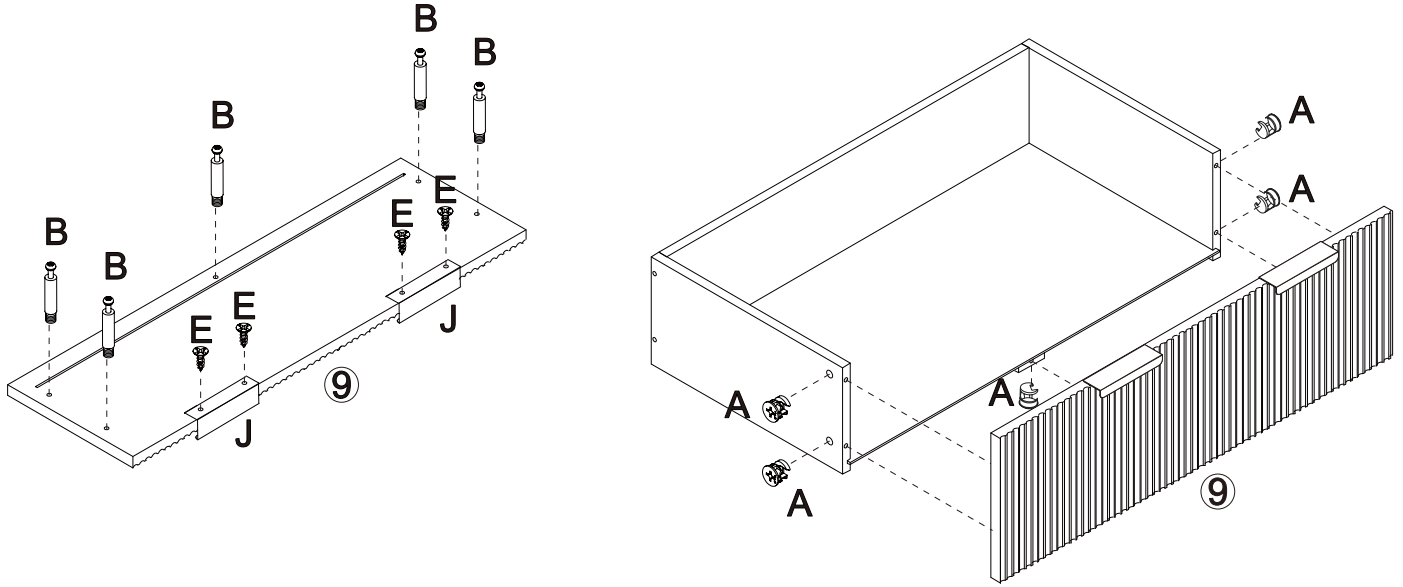


Before installation, please check whether the number of screws is correct.





x5

	Dx25
--	------

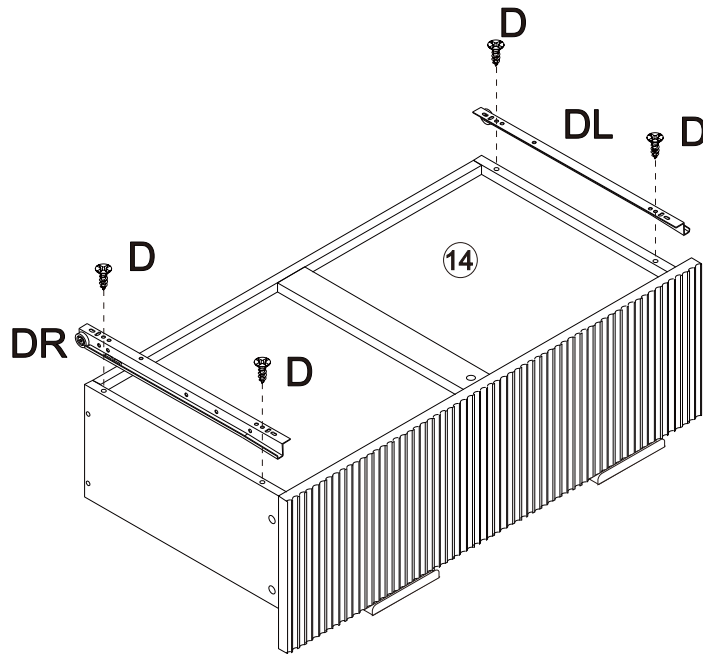
Step 19



x5

	Ax25
	Bx25
	Jx10
	Ex20

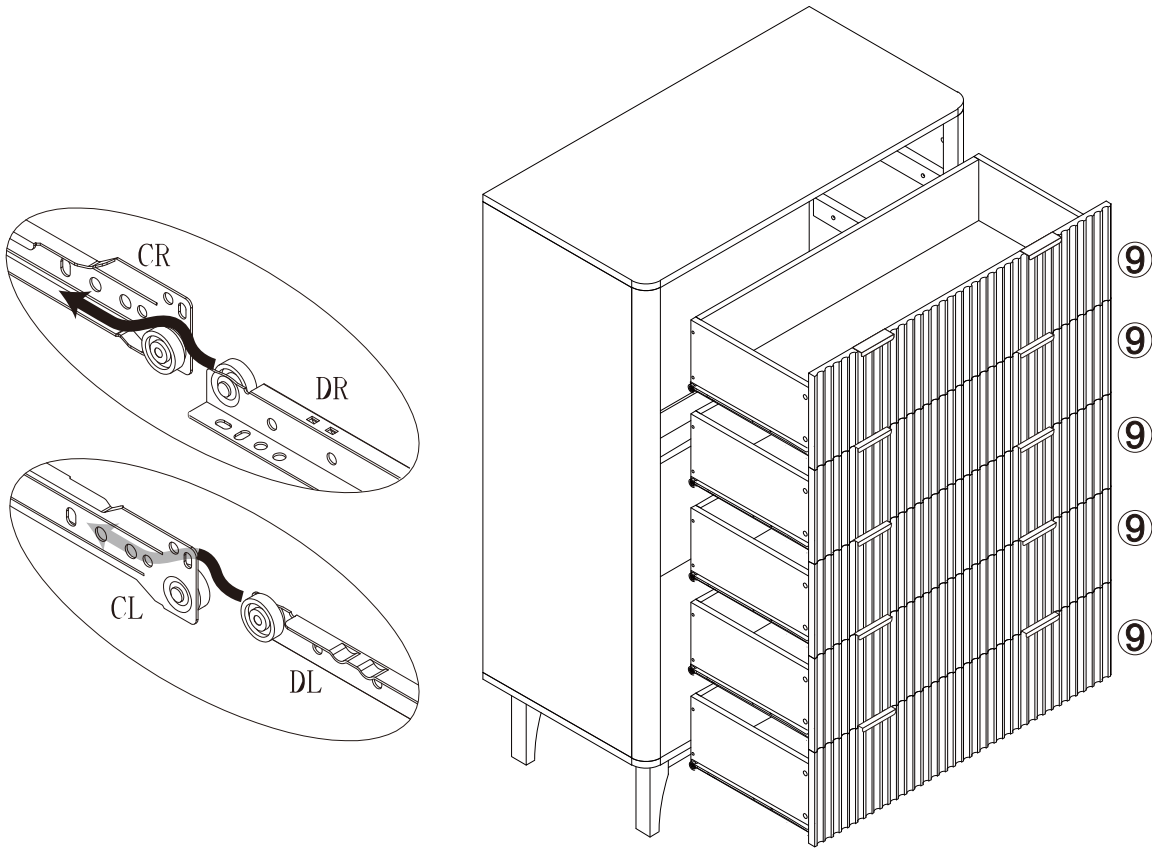
Step 20



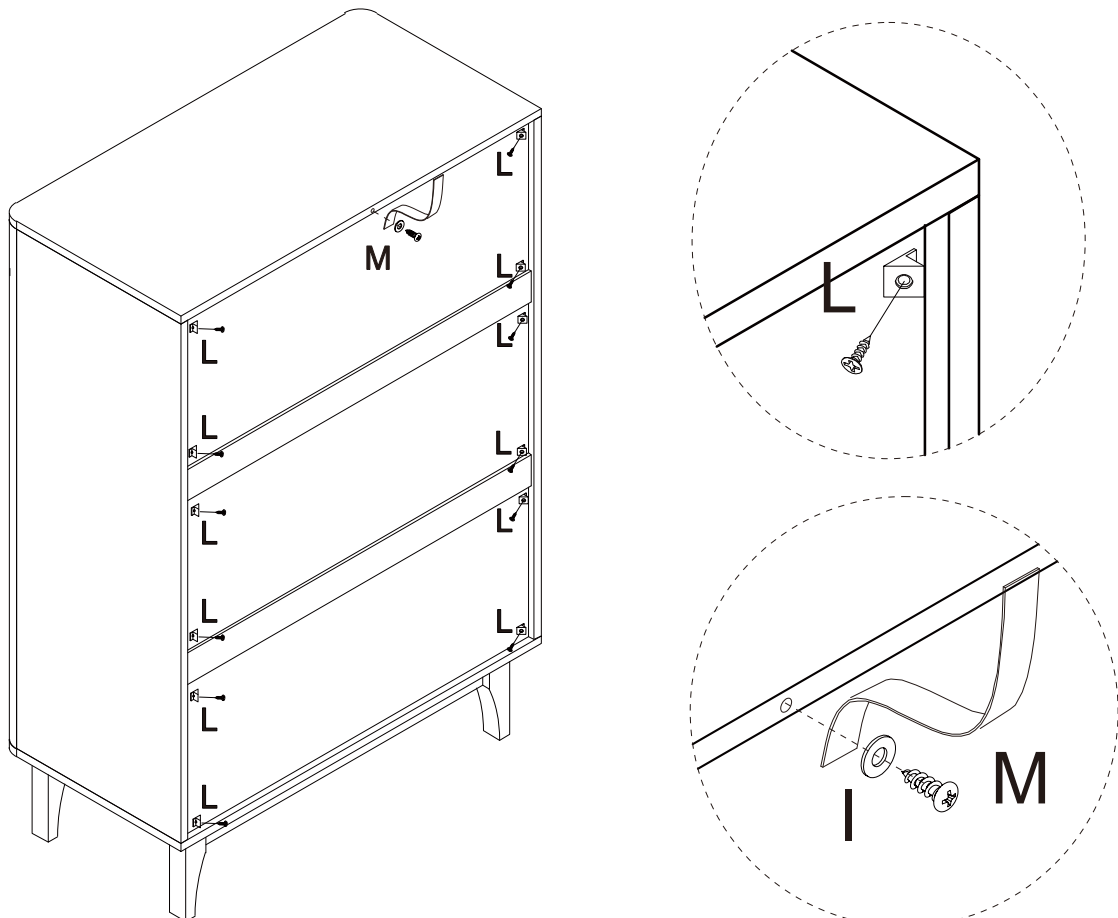
x5




	Ex20
	DLx5
	DRx5

Step 21



Step 22



- | | | |
|--|-------------|--|
|  | Ix1 | 1. Cabinet must be permanently fixed to the wall with included anti-tipping device to prevent the cabinet from tipping over. |
|  | Lx12 | 2. Mark the drill position on the wall with a pencil. Drill holes on the marked position using a bit. Gently insert the |
|  | Mx1 | wall anchor into the drilled hole with the help of a hammer. Fix the cabinet to the wall with provided screws. |