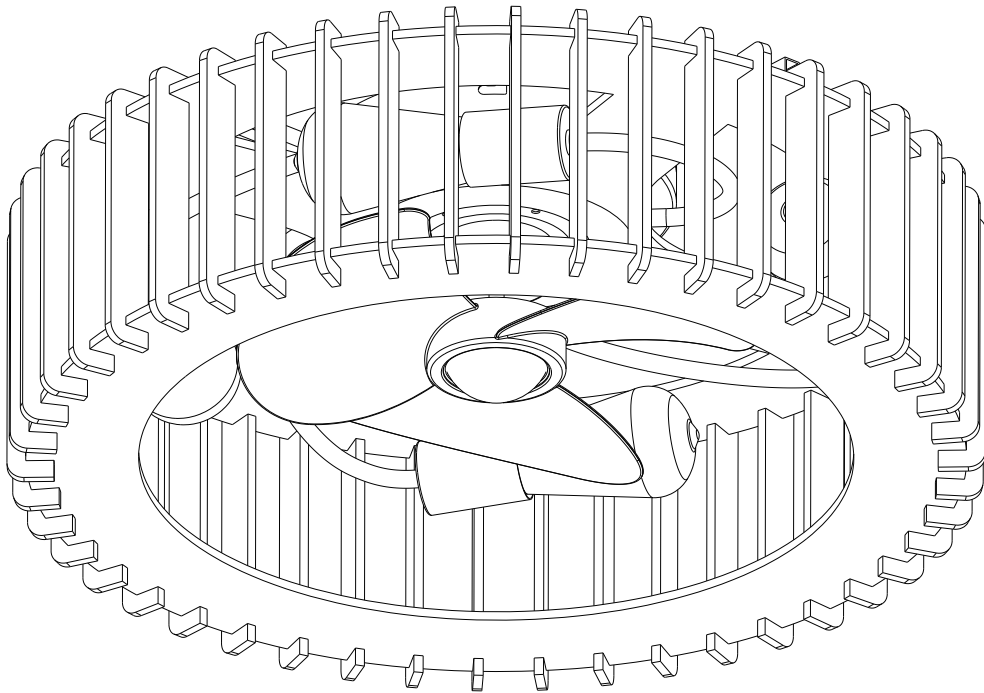
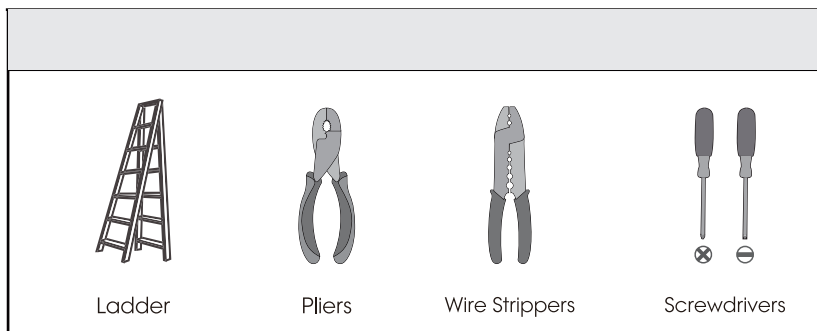


CEILING FAN WITH LIGHT

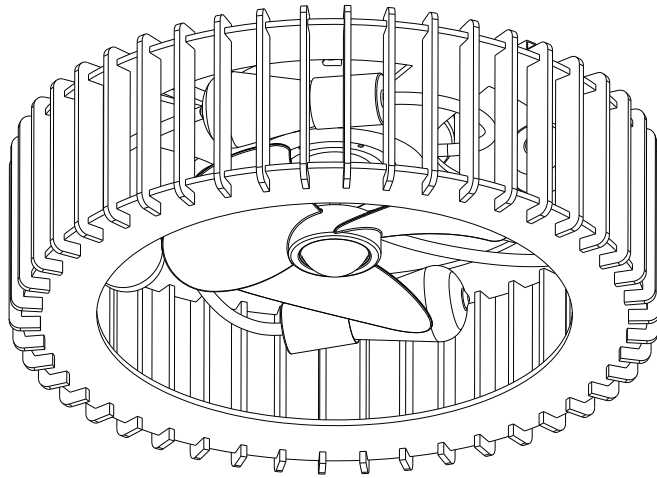


INSTALLATION MANUAL



01

PACKING LIST

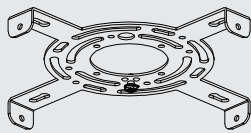


A Fan Assembly x1

02

INSTALLATION KIT

AA



Mounting Bracket

1×

BB



Ground Screw

1×

CC



Wire Nut

3×

DD



Plastic Anchor

4×

EE



Wood Screw

4×

FF



Outlet Box Screw

2×

GG



S Hook

1×

HH



Short Screw with Washer

4×

II



Short Plastic Anchor

2×

JJ



Short Wood Screw

2×

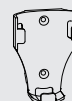
KK



Remote

1×

LL



Remote Holder

1×

MM



Gloves

1×

NOTE:

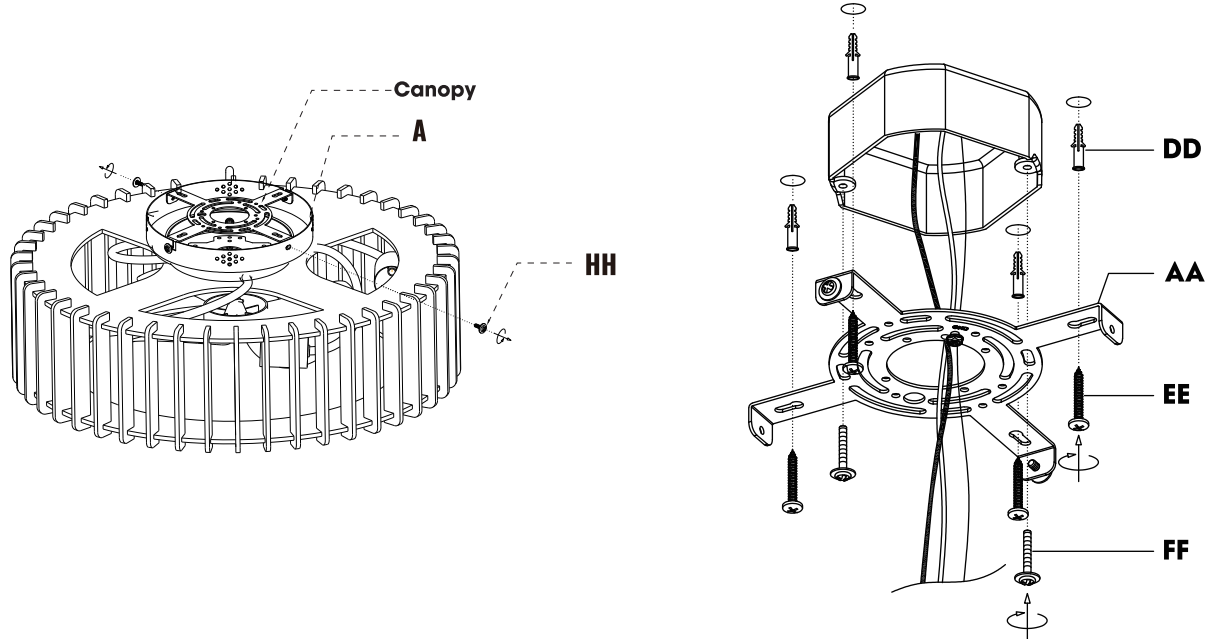
1. The listed quantity is for installation; extra hardware may be included.
2. AA/BB/HH are pre-installed on Fan Assembly (A).

03

INSTALLATION

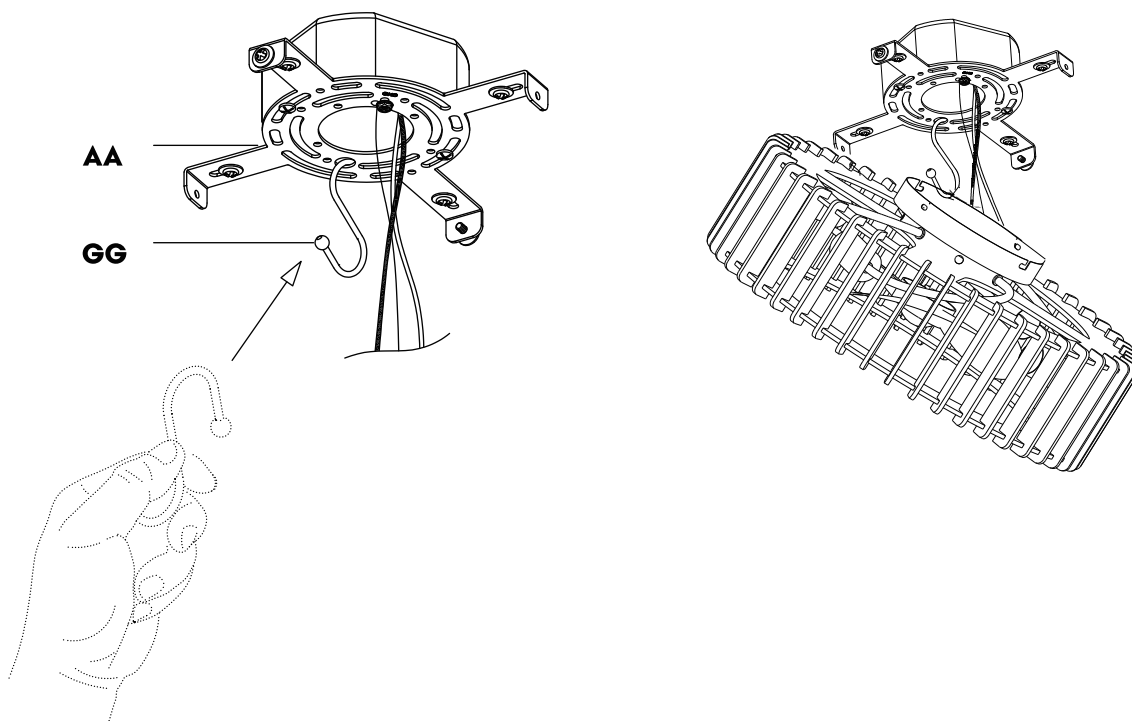
1. Install the Mounting Bracket

1. Loosen and remove the Short Screw with Washer (HH) from the round holes, and loosen the Short Screw with Washer (HH) in the 'L' holes but do not remove them, and then remove the Mounting Bracket (AA) from the Canopy.
2. Mark and drill screw holes in the ceiling, then insert the Plastic Anchors (DD).
3. Use Outlet Box Screws (FF) to fix the Mounting Bracket (AA) to the outlet box, and then tighten it with Wood Screws (EE).



2. Hang the Fan

Hang the fixture onto the Mounting Bracket (AA) with the S Hook (GG) provided.

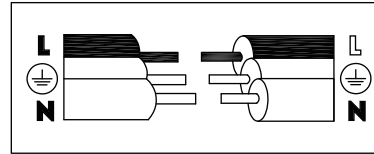
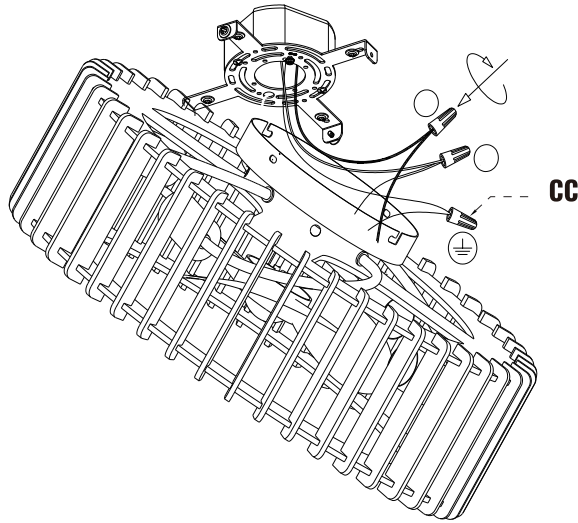


3. Connect the Wires

1. Connect the wires from the fan to the house supply wires with Wire Nuts (CC), ground wire (green, green/yellow, or bare copper) to ground wire, neutral wire (white) to neutral wire, and hot wire (black) to hot wire. Wrap the connection with electrical tape.
2. Spread apart the wires so that the hot wires are on one side of the outlet box and the neutral wires are on the other.

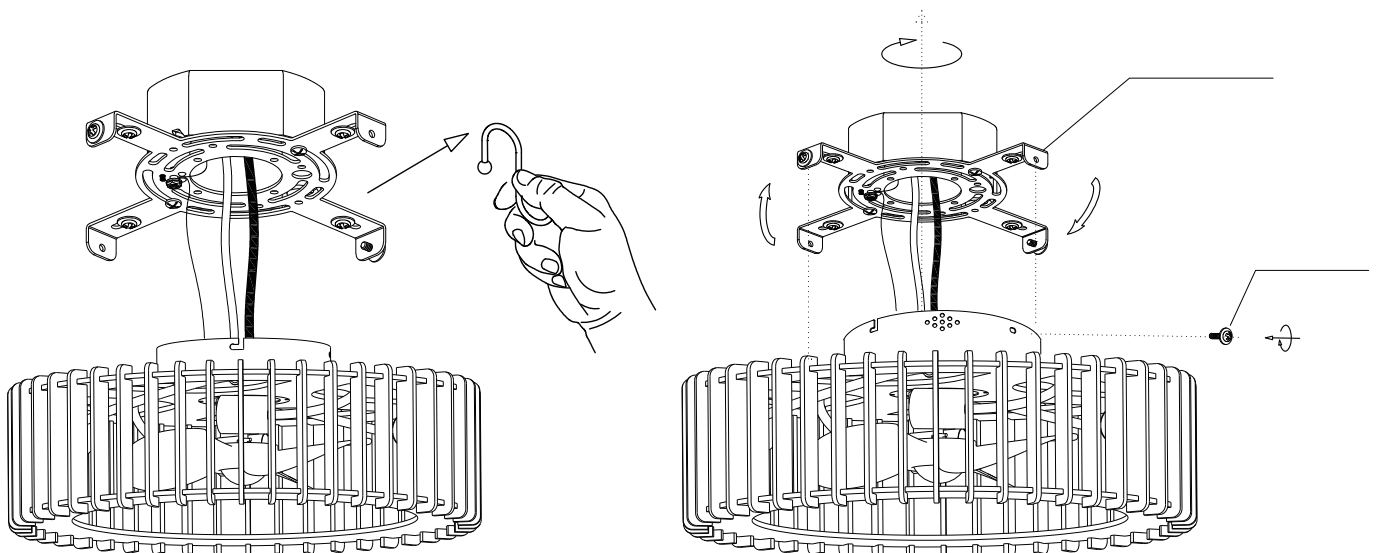
Note:

This fan only needs one set of input wires (black, white, and ground wire). The remote control will control both the fan and the lights. This fan can only be connected to an on/off switch, if you have one, not a dimmer switch.



4. Attach the Canopy

1. Take away the S Hook (GG).
2. Align the "L" slots from the canopy to the Short Screw with Washer (HH) on the Mounting Bracket (AA), rotate the canopy to lock it onto the Mounting Bracket (AA).



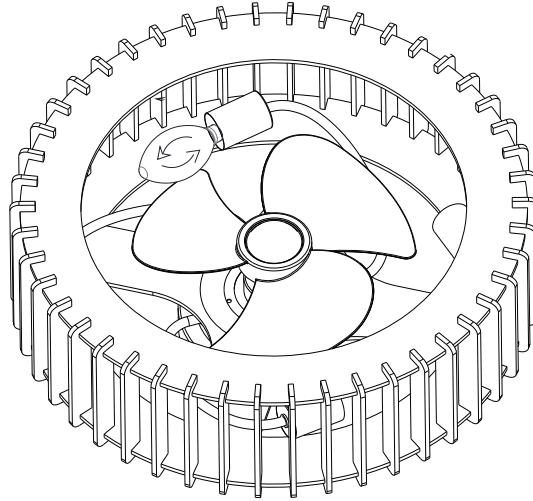
5. Install the Bulbs

Install E12*4pcs bulbs of the appropriate size.

NOTE:

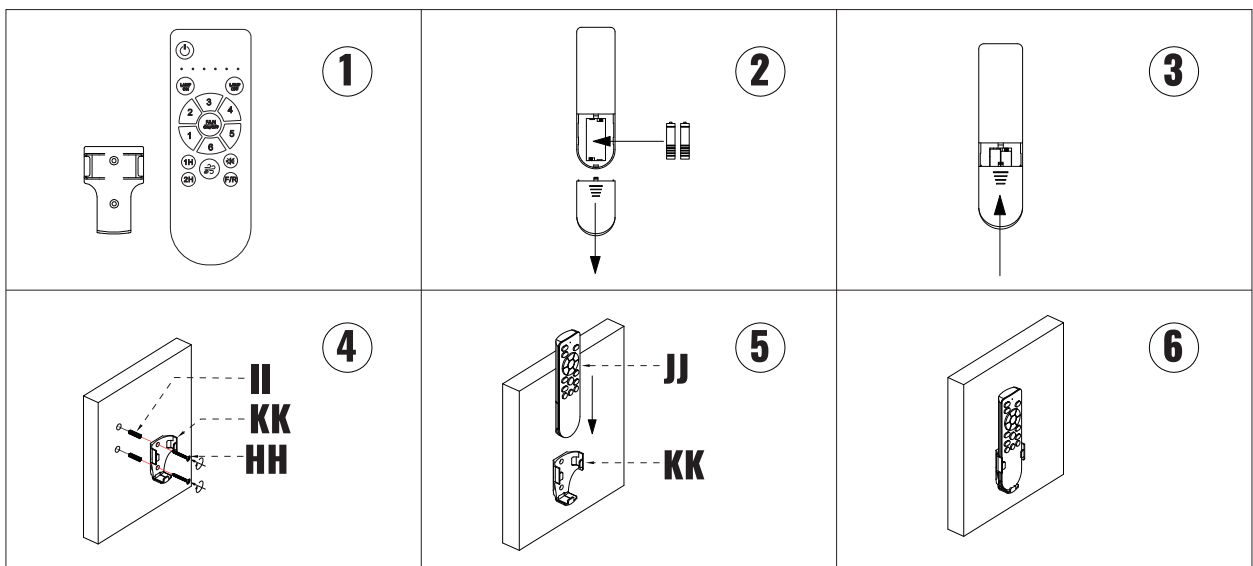
IT IS RECOMMENDED TO USE ST45 TYPE BULBS.

NOTING THAT ST64 TYPE BULBS CANNOT BE USED.



6. Install the Remote Holder

1. Insert 2 batteries before using: AAA1.5V battery x2pcs (not included).
2. Mark and drill screw holes in the wall, then insert the Short Plastic Anchor(II).
3. Use Short Wood Screw (JJ) to fix the remote holder (LL) onto the wall.



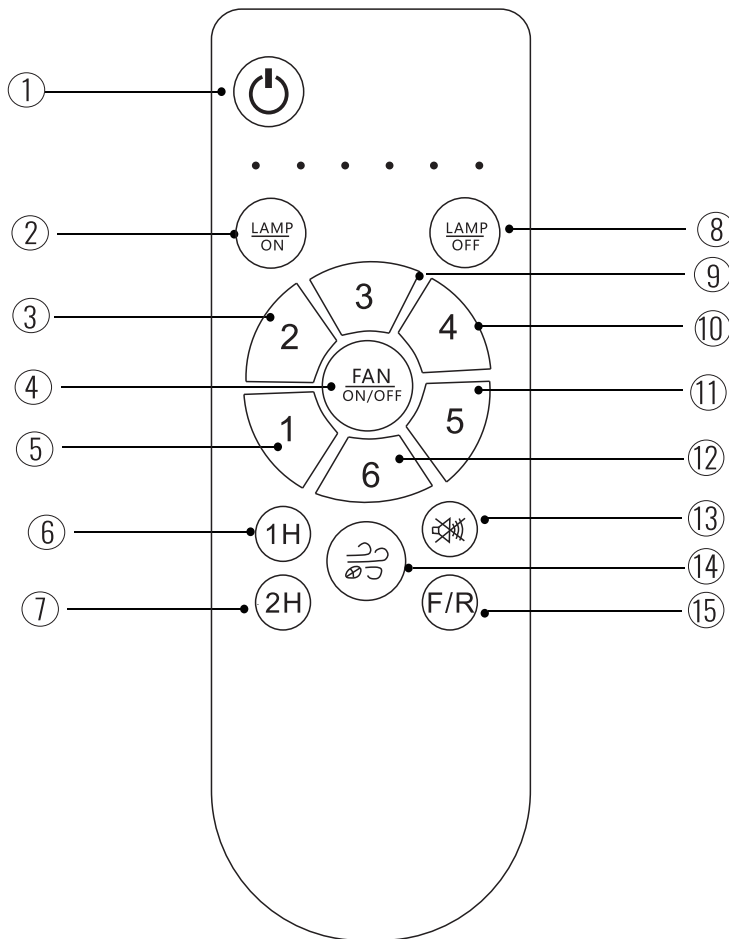
04

REMOTE CONTROL INSTRUCTIONS

- ① Turn off power.
- ② ⑧ Turn on / off the light.
- ③ ⑤ ⑨ ⑩ ⑪ ⑫ Turn on the fan on 1/2/3/4/5/6 speed.
- ④ Turn off the fan.
- ⑥ ⑦ 1H / 2H for timing the fan.
- ⑬ Silencer
- ⑭ Natural Wind
- ⑮ Fan moves forward, reversely.

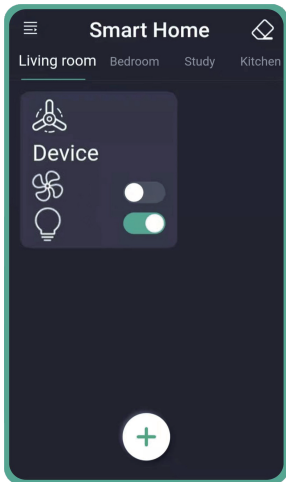
REMOTE SIGNAL PAIRING:

If the remote control loses signal with the fan, turn off the power from the wall switch, then turn it back on, and immediately press button ① or around 3 seconds. After the fixture beeps or flashes, the reconnection is complete.


















05

APP CONTROL INSTRUCTIONS



NOTE: Scan the QR code and install the APP in your phone, or search and install from Google Play, Apple App and other APP stores.

Make sure your phone is connected to the in-ternet and bluetooth enabled.

-  Pair button. Click it within 5 seconds after the fan is powered on from wall switch. After the fan flashes or beeps, it has been successfully paired with the phone, it can be controlled through it.
-  Slide to change the fan speed.
-  Slide to change the brightness of the light.
-  Quick switch for "White" light color.
-  Quick switch for "Yellow" light color.
-  Quick switch for "Natural" light color.
-  Night mode: Dim the lights.
-  Fan moves forward.
-  Fan moves reversely.
-  360° Rotating Function
-  Timing the fan.
-  Natural wind: The fan speed will change automatically when you use this function.
-  Sleeping wind. (Not supported)
-  Turn on/off the light.
-  Turn on/off the fan.
-  Unpairing: Click the unpair button within 5 seconds after turning on the fan. Once the fan flashes or beeps, it has been successfully unpaired from your phone.