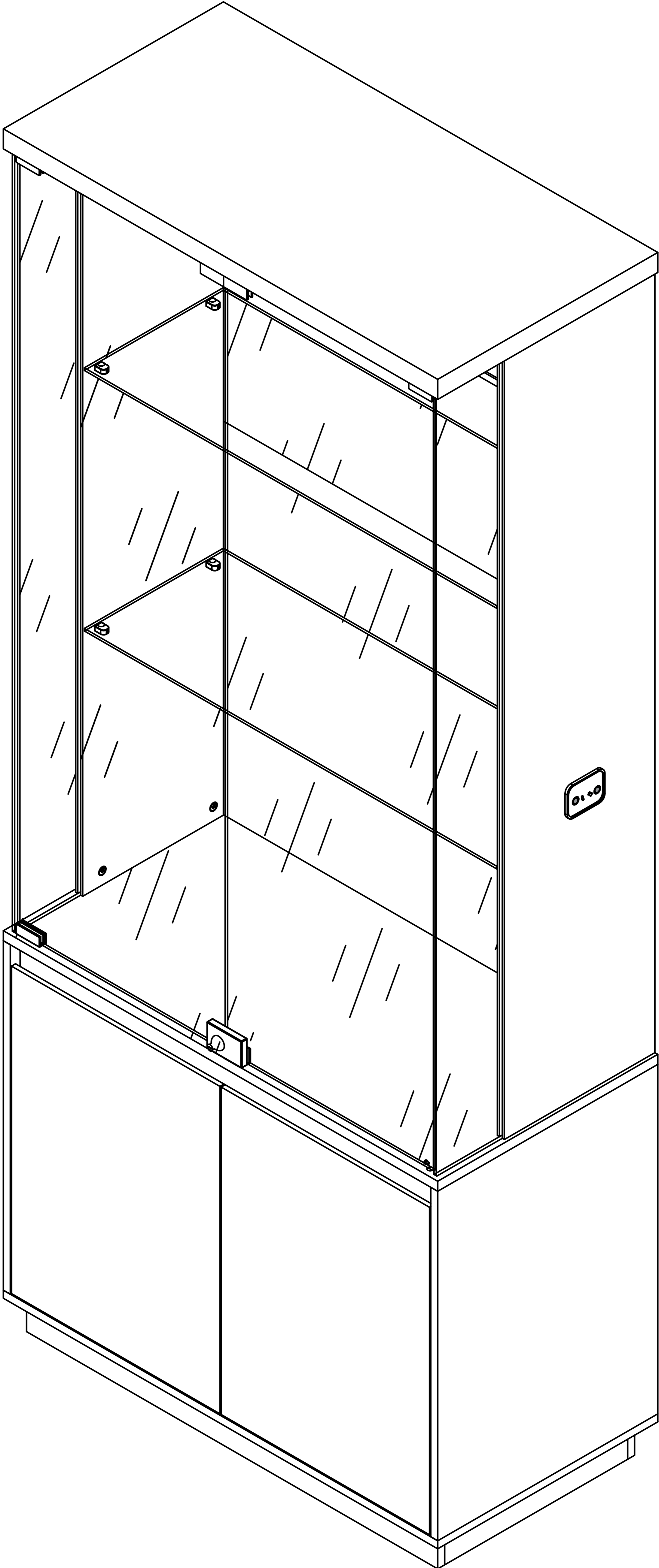
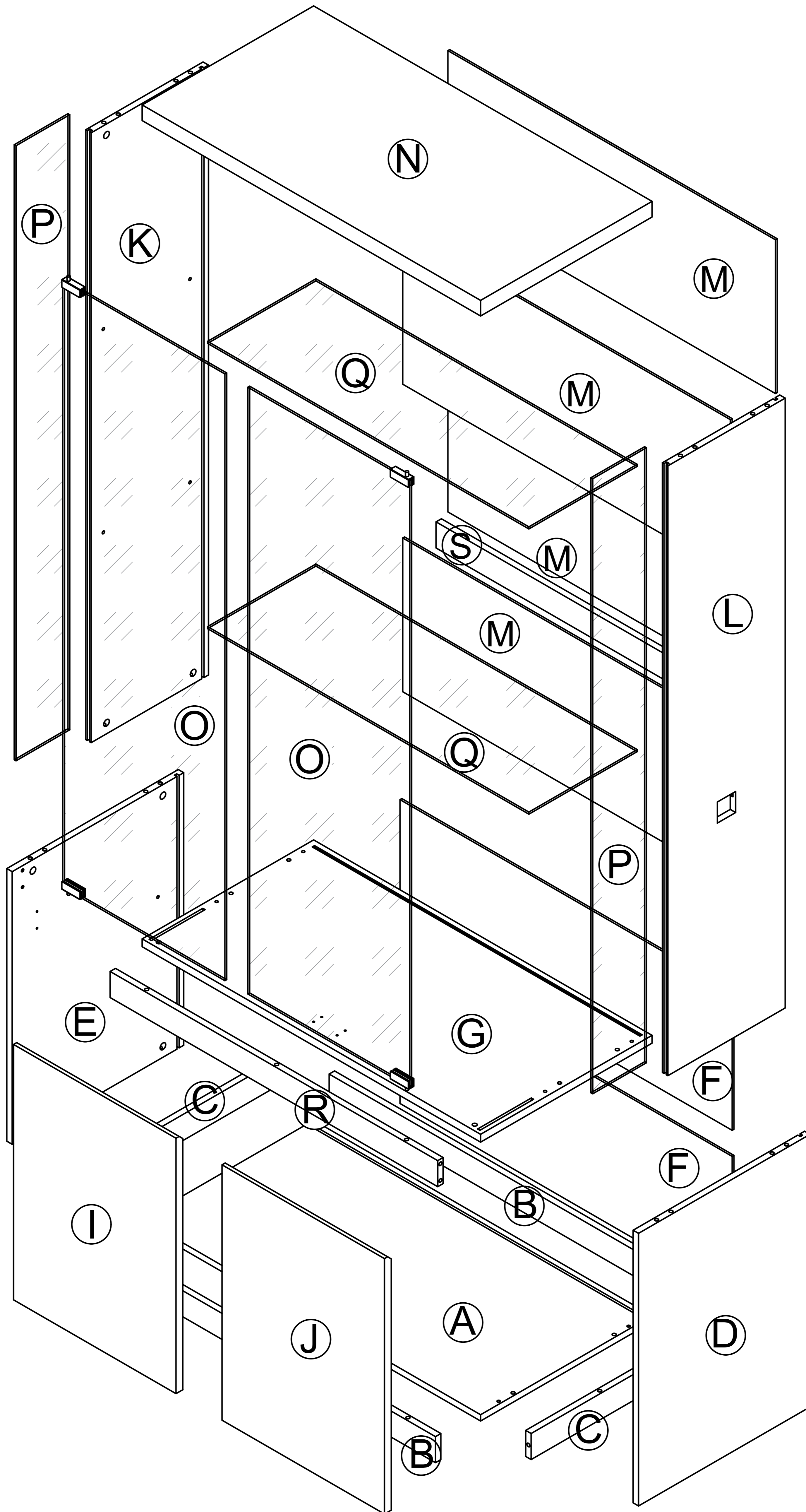
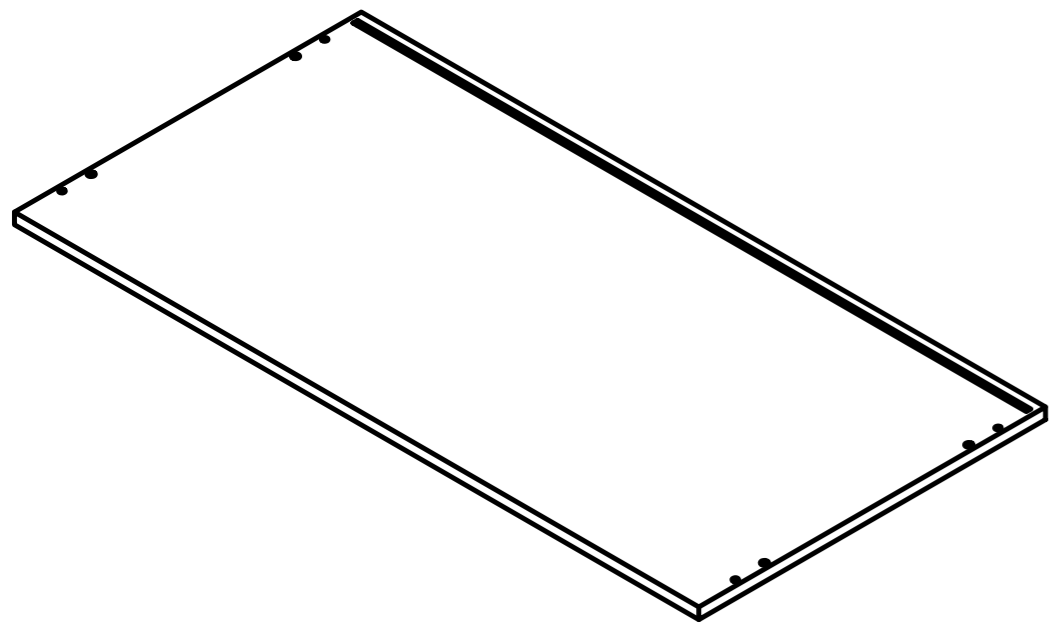


97087 Product Installation Instructions

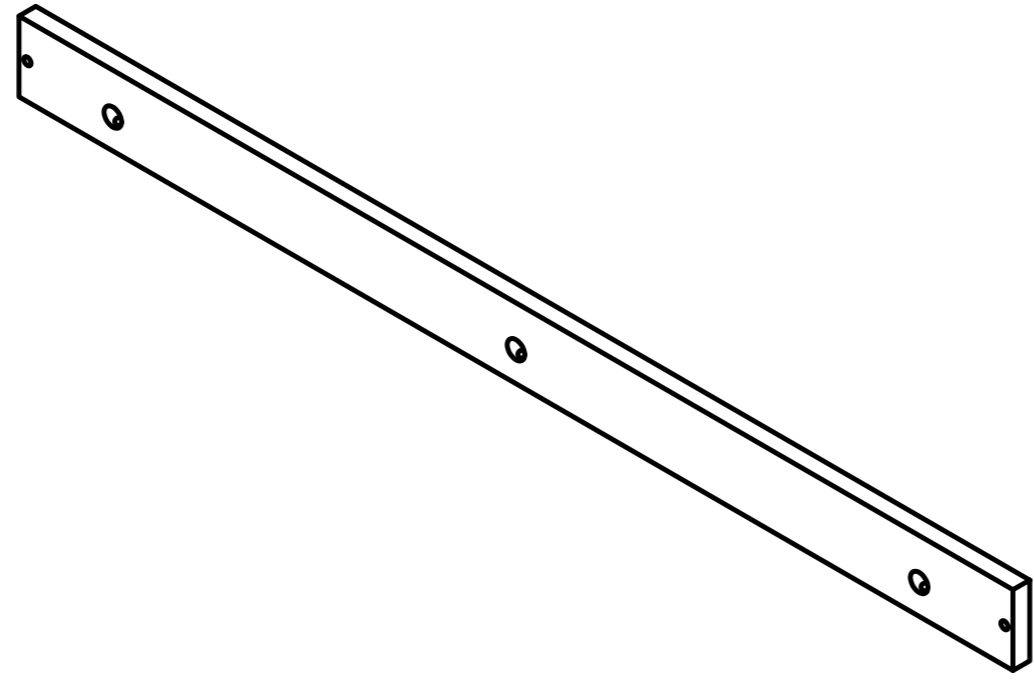


Product structure decomposition

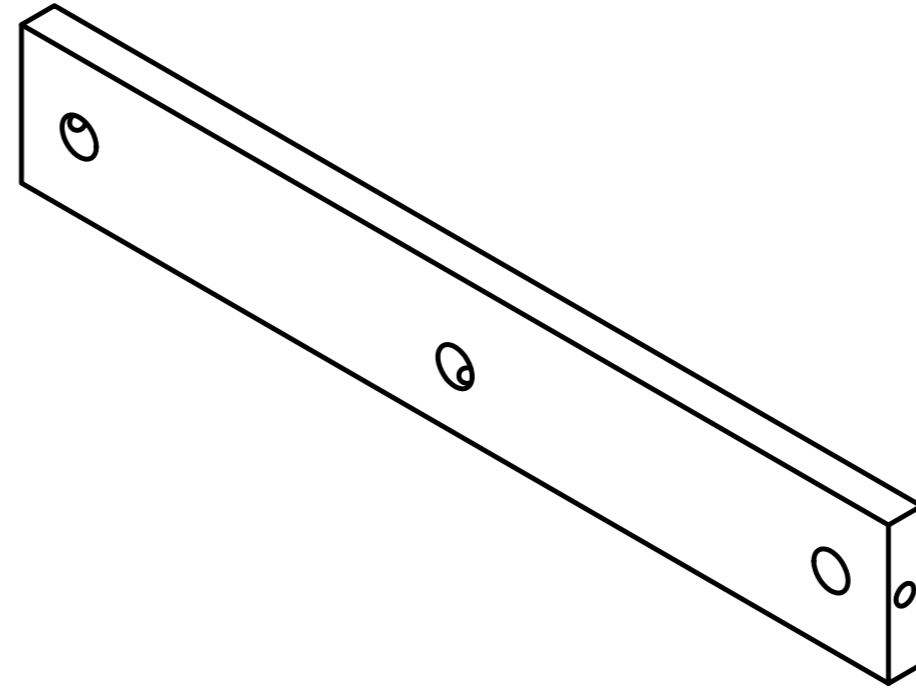




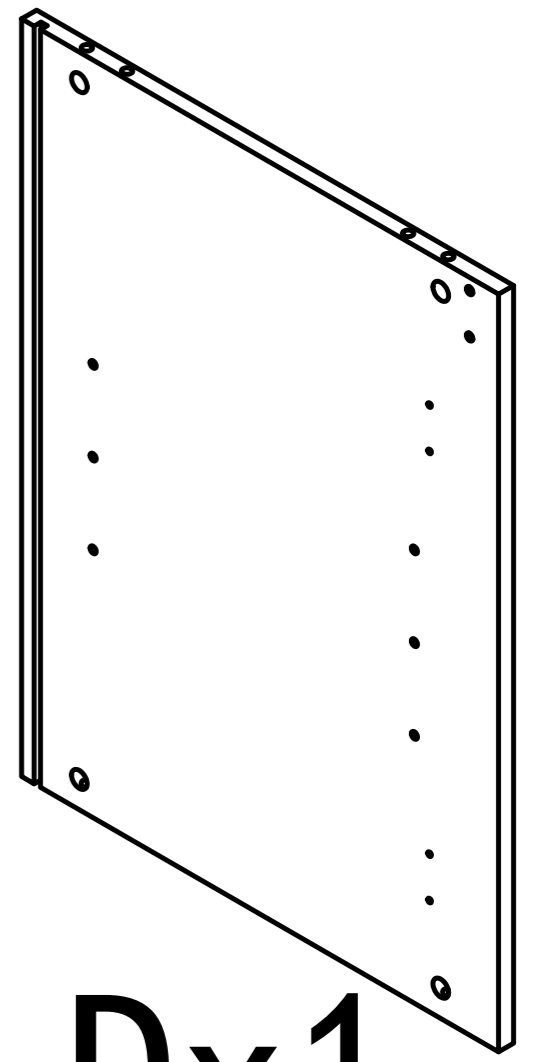
Ax1



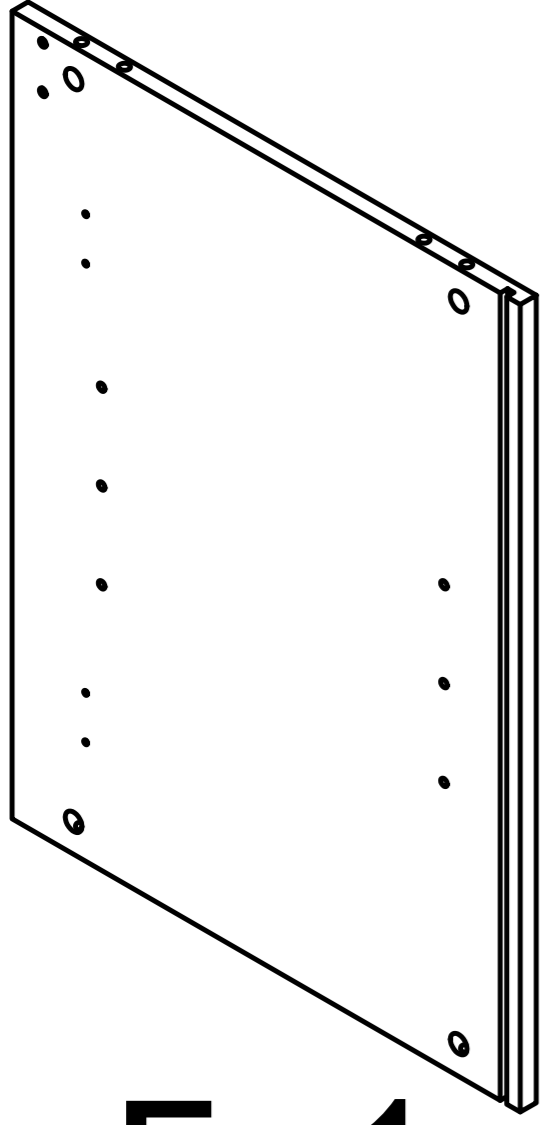
Bx2



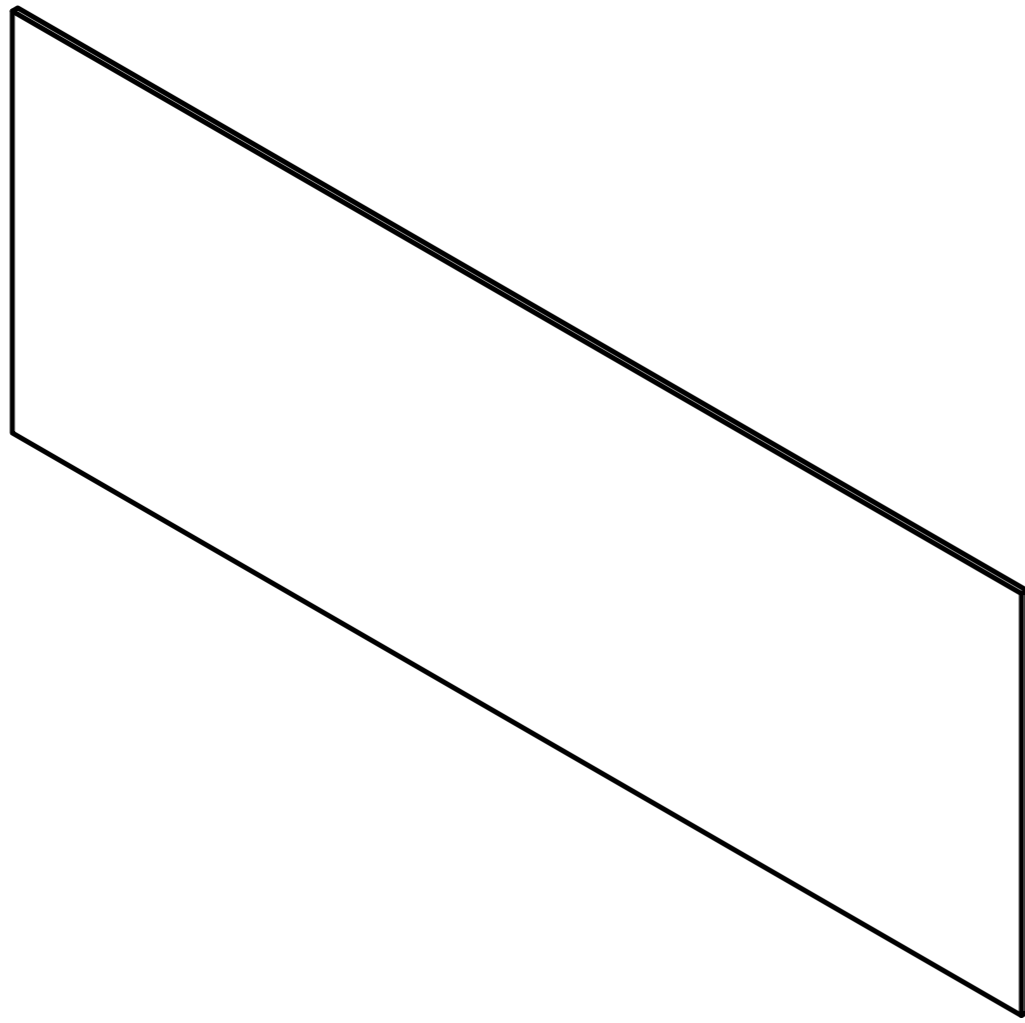
Cx2



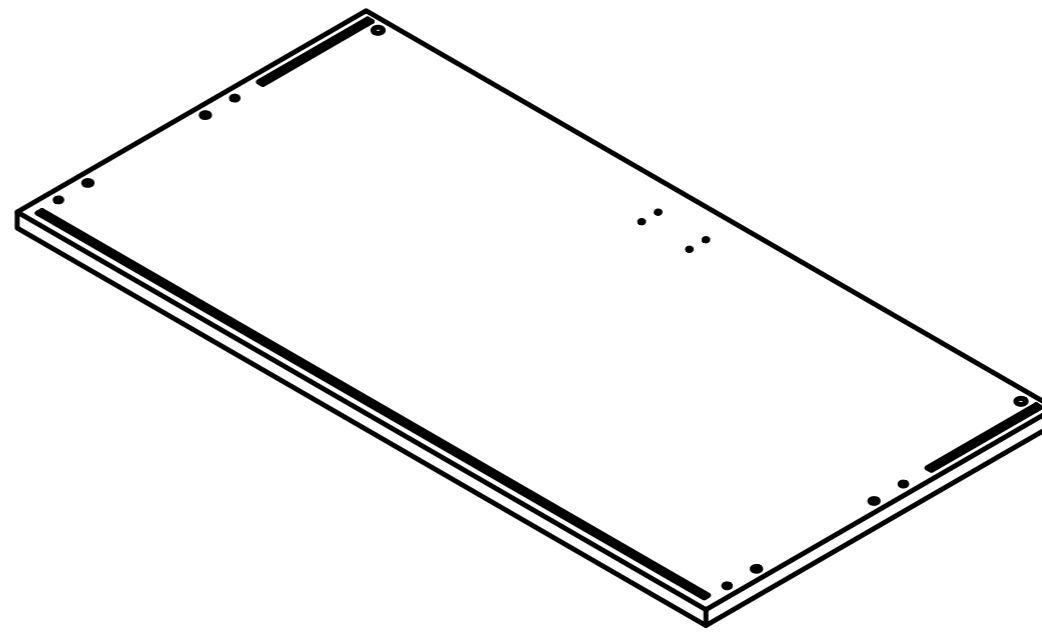
Dx1



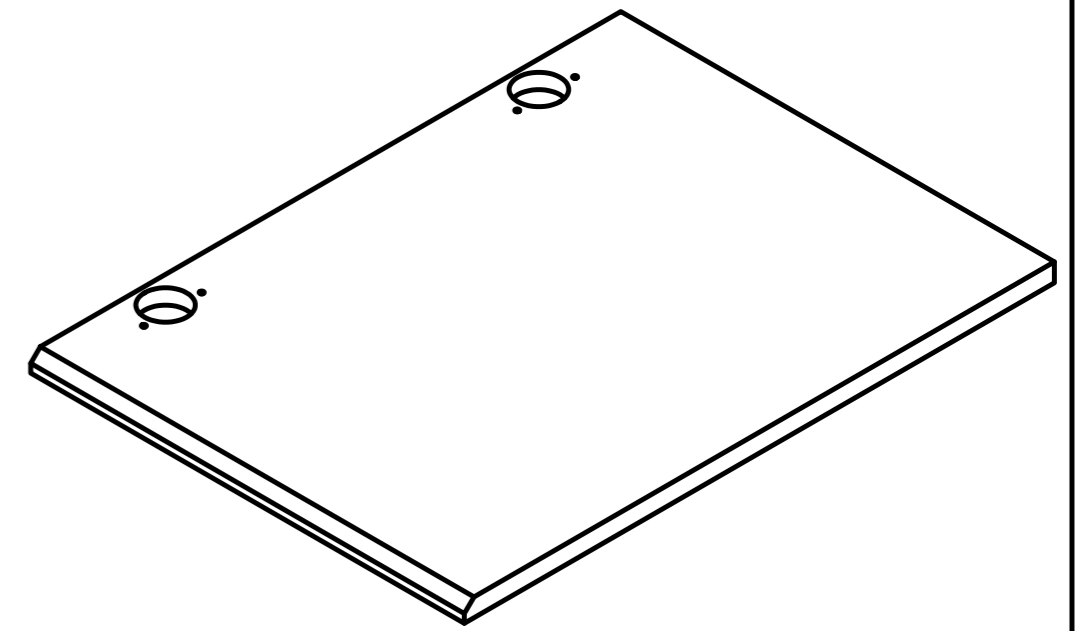
Ex1



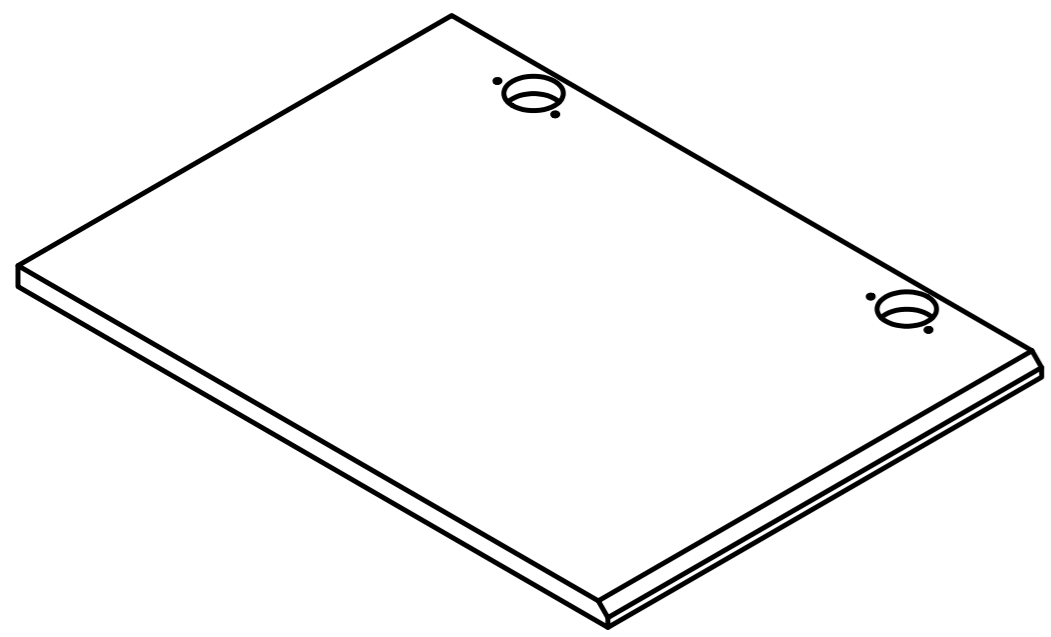
Fx2



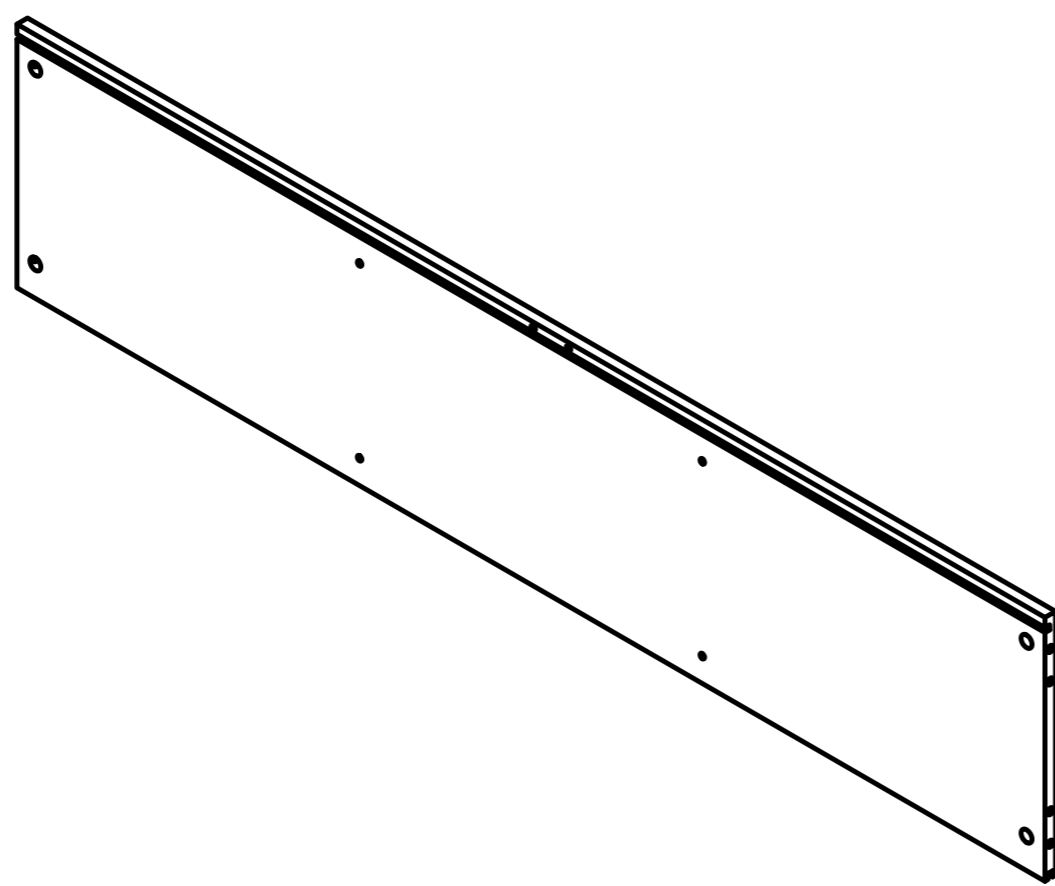
Gx1



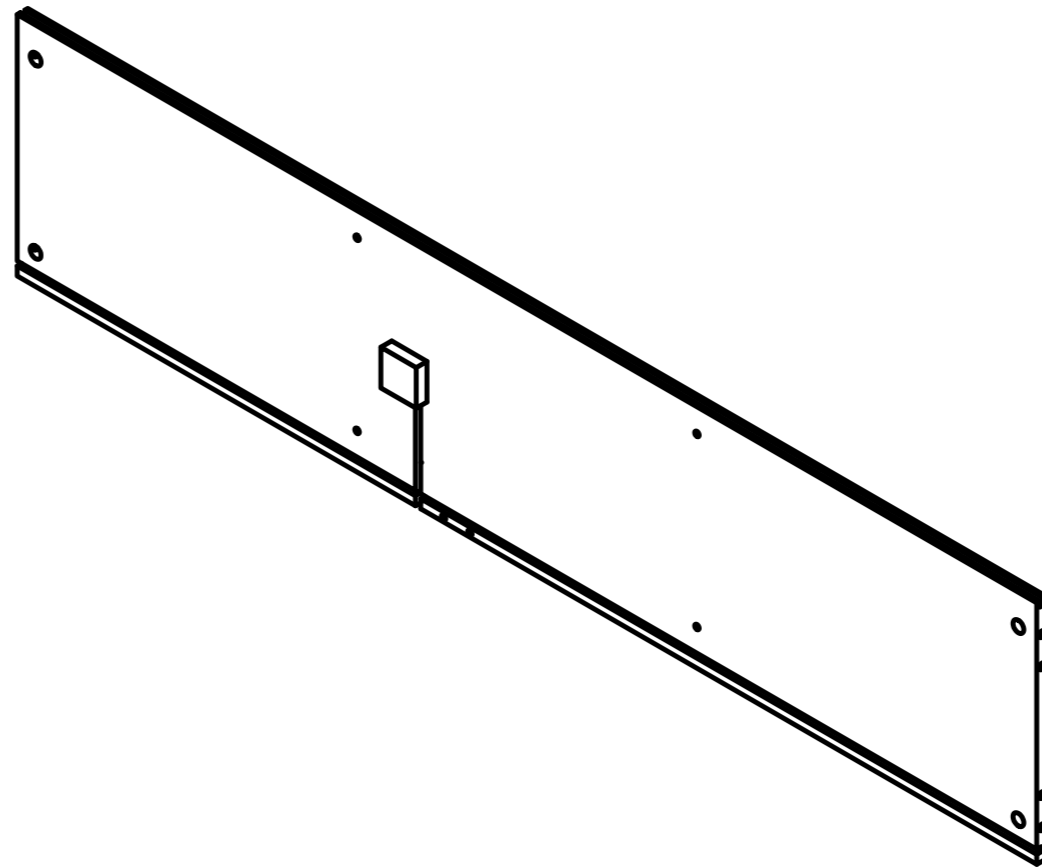
Ix1



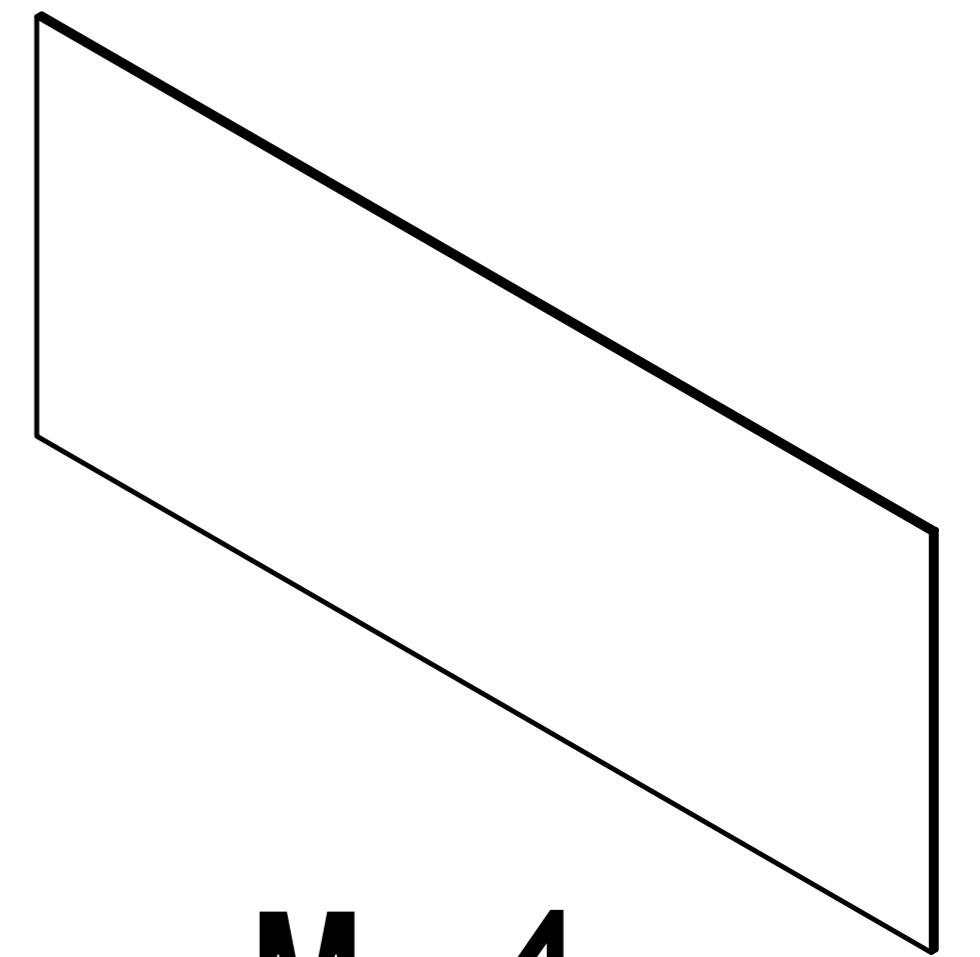
Jx1



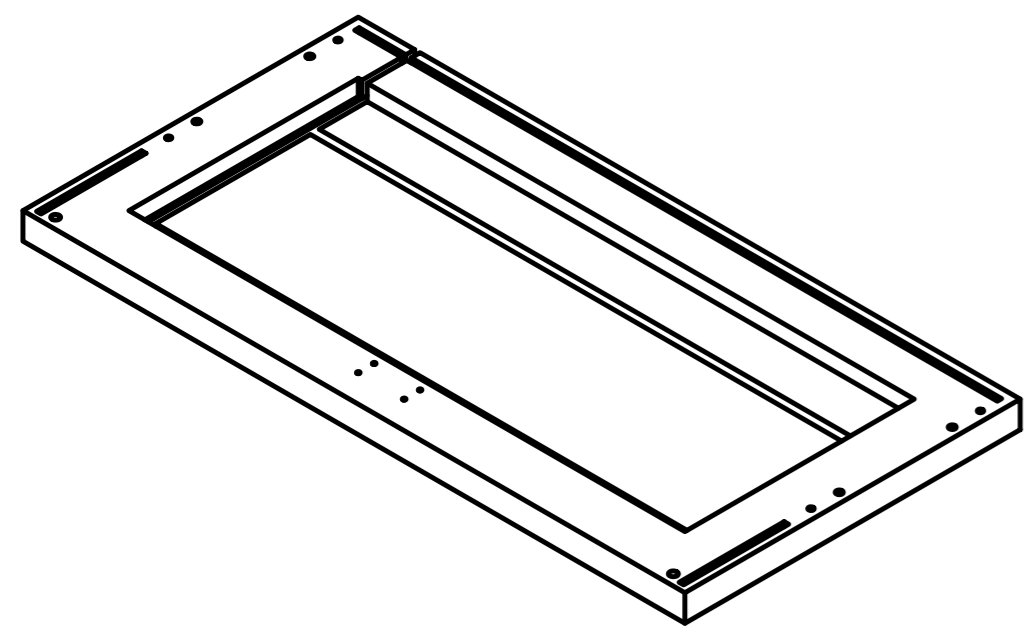
Kx1



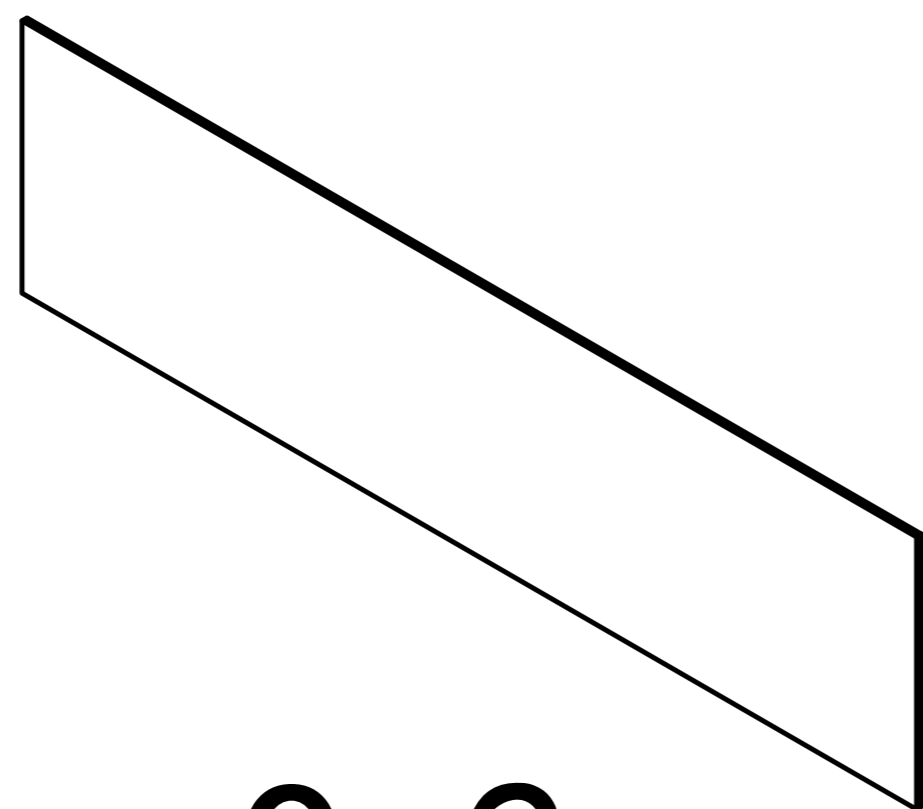
Lx1



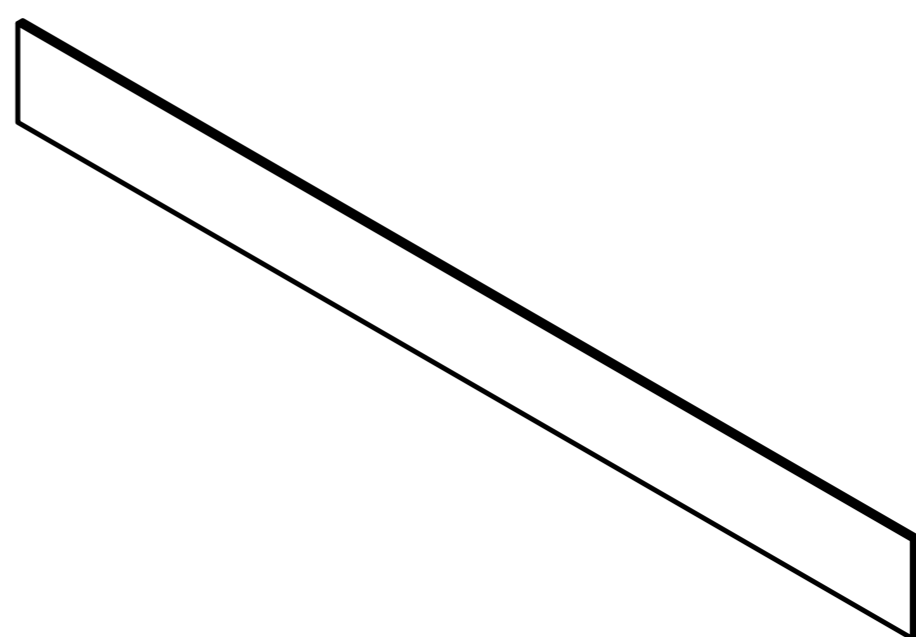
Mx4



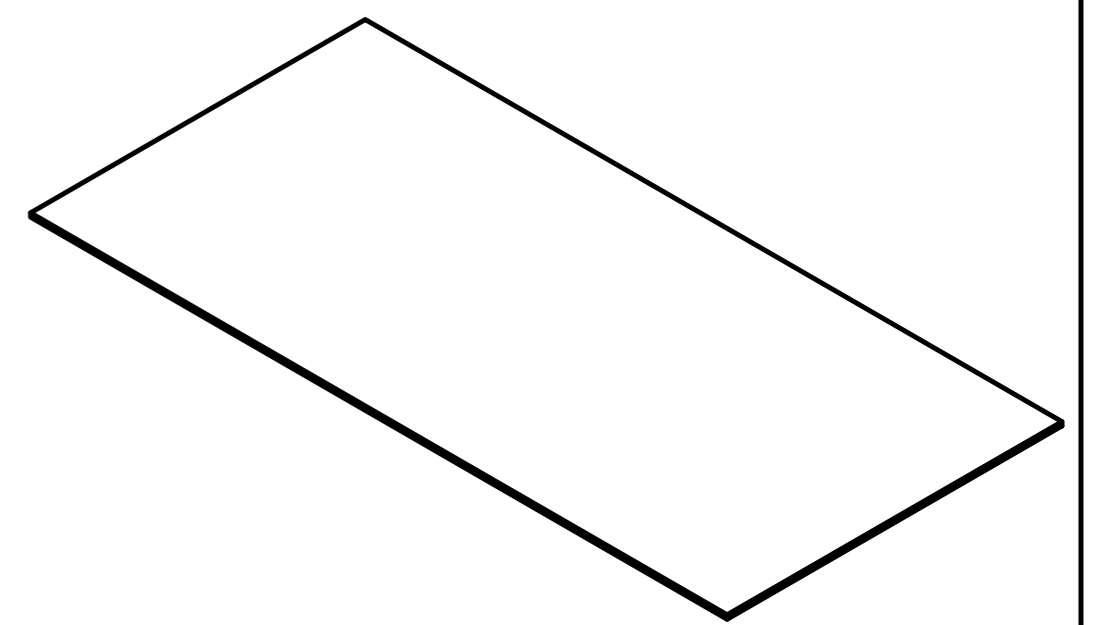
Nx1



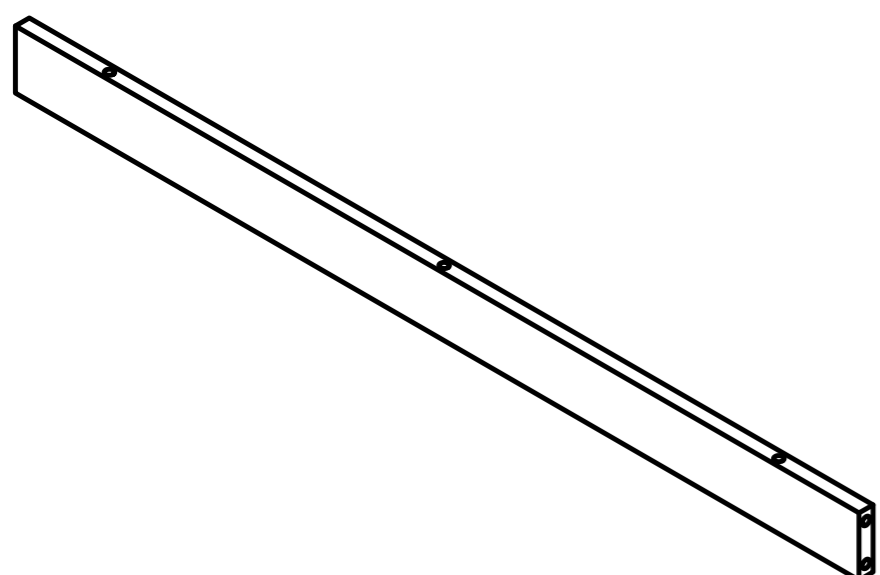
Ox2



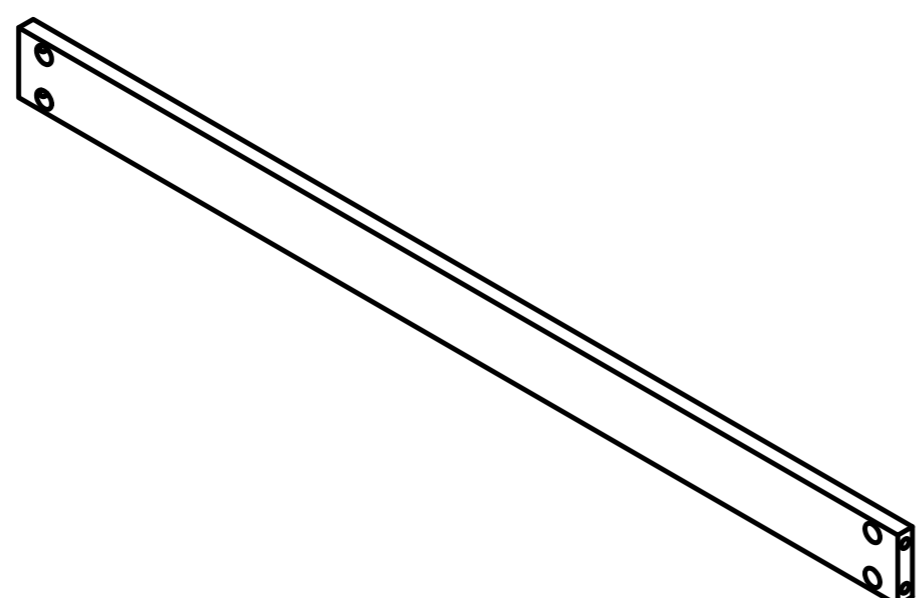
Px2



Qx2



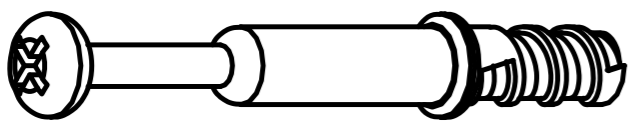
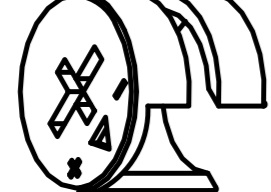

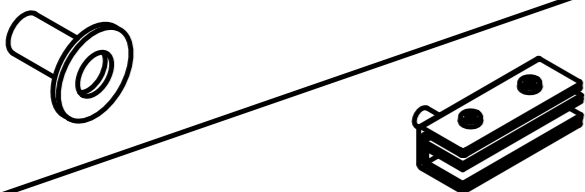
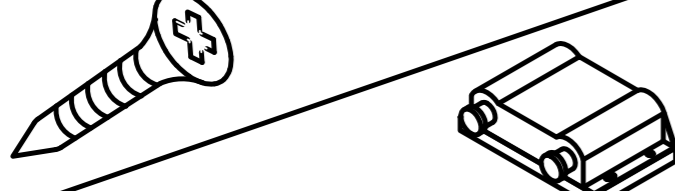
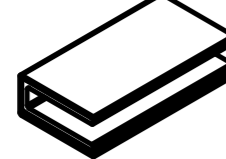
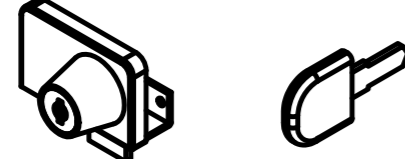
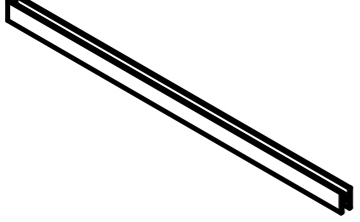
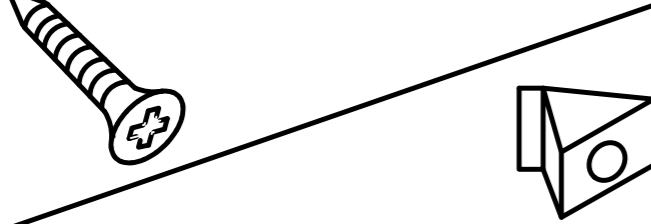


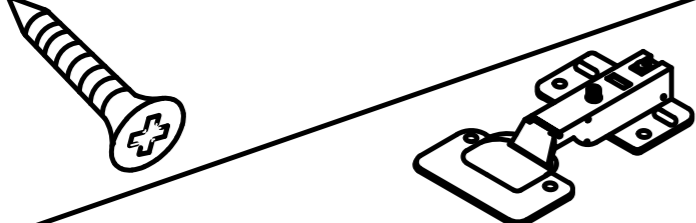



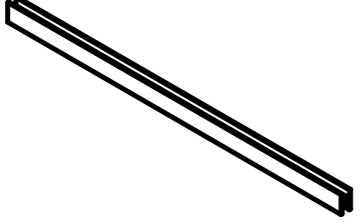
Rx1

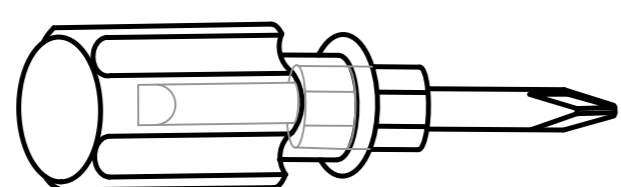


Sx1

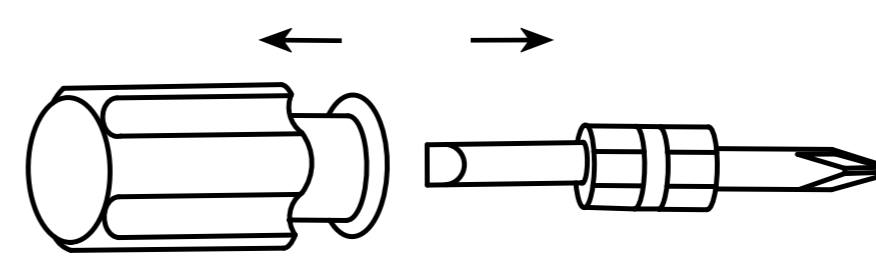


Accessories list

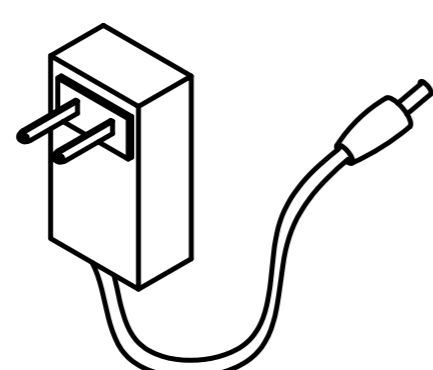
①		Two In One Screw (6x28mm)	39pcs +4pcs	
②		Two In One Nut (10x12mm)	39pcs +4pcs	
③		Wood Chipping (6x30mm)	16pcs +1pcs	
④		Hinge	4pcs	
		Rebound device & Screw (3x16mm)	4pcs +1pcs 1pcs	
		Iron sheet	2pcs	
		lock	1pcs	
⑤		Backplate clamp strips 714mm	2pcs	
⑥		Fixing Clip & Screw (3x16mm)	20pcs +2pcs	
⑦		Non-slip pads	8pcs +1pcs	
⑧		Wire Clamp	2pcs	
⑨		Screw & Hinge (3.5x12mm)	24pcs +1pcs 4pcs	
⑩	<p>Anti tipping hardware</p>  <p>+1pcs +1pcs (3.5x12mm) +1pcs (4x45mm) +1pcs +2pcs</p>			
⑪			Glass clip fastening & Screw (3.5x12mm)	8pcs +1pcs 8pcs +1pcs
⑫		Backplate clamp strips 723mm	1pcs	



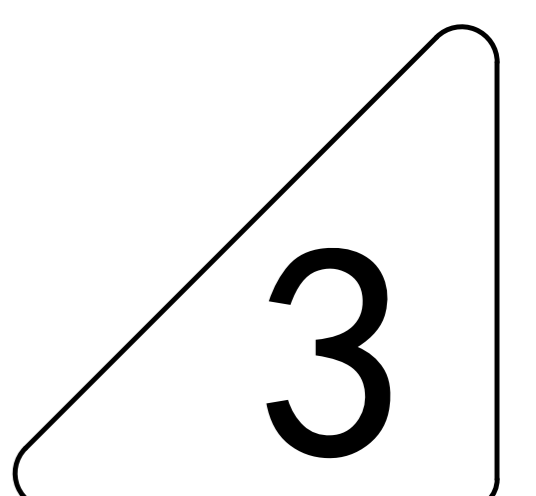
1pcs



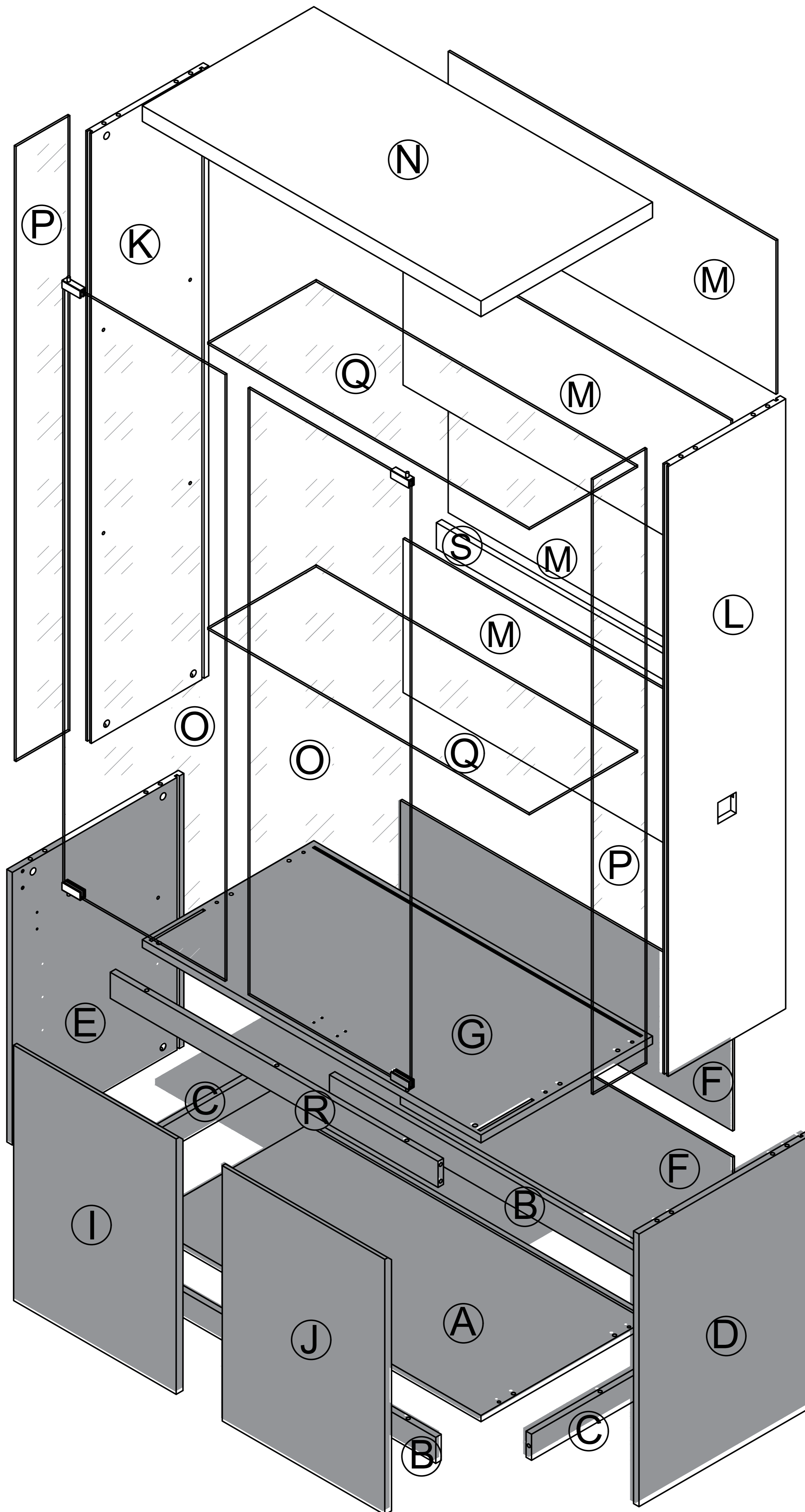
Double-head screwdriver, use as required



AC/DC Adapter (12V=2.0A)

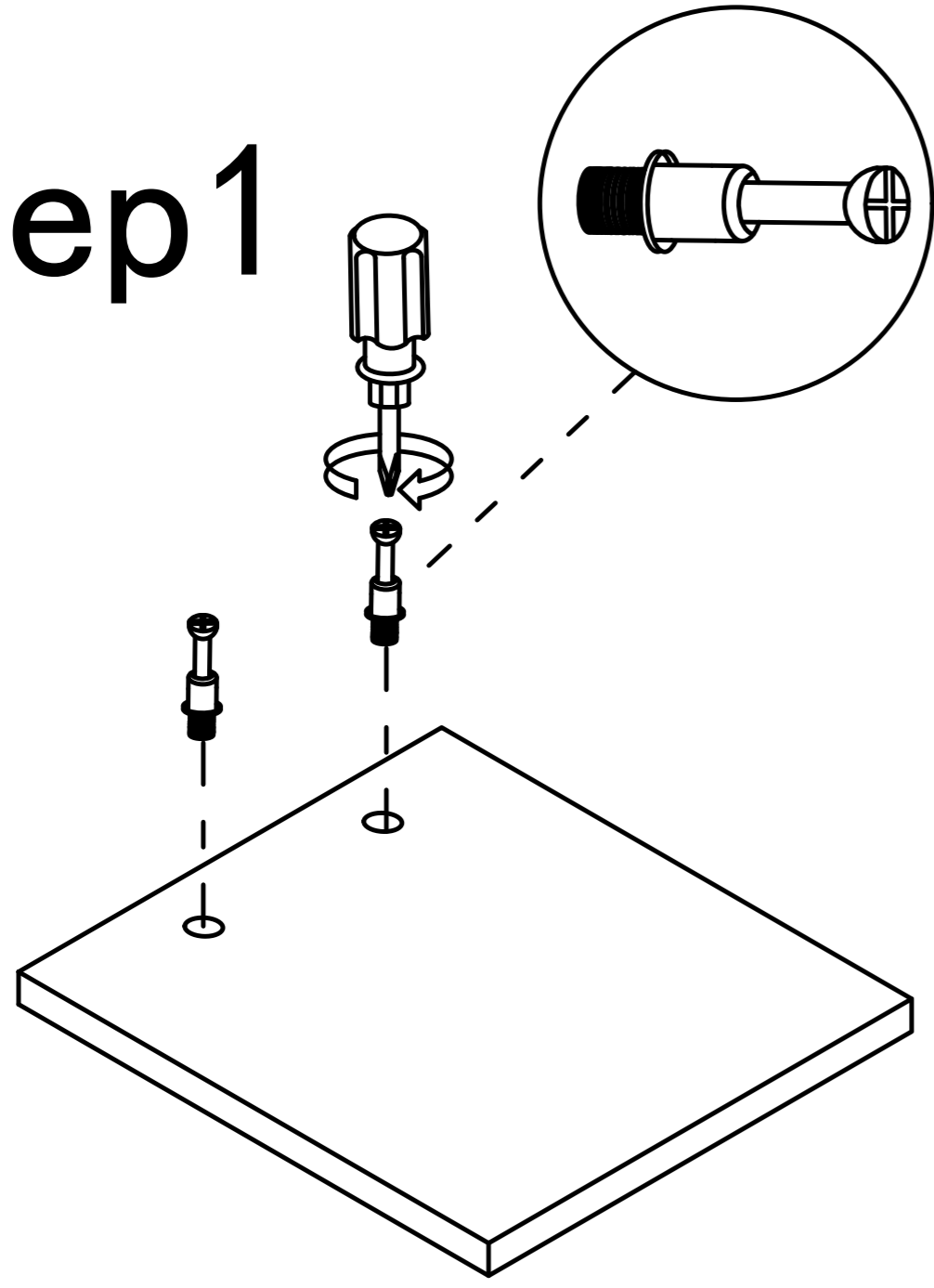


Product structure decomposition

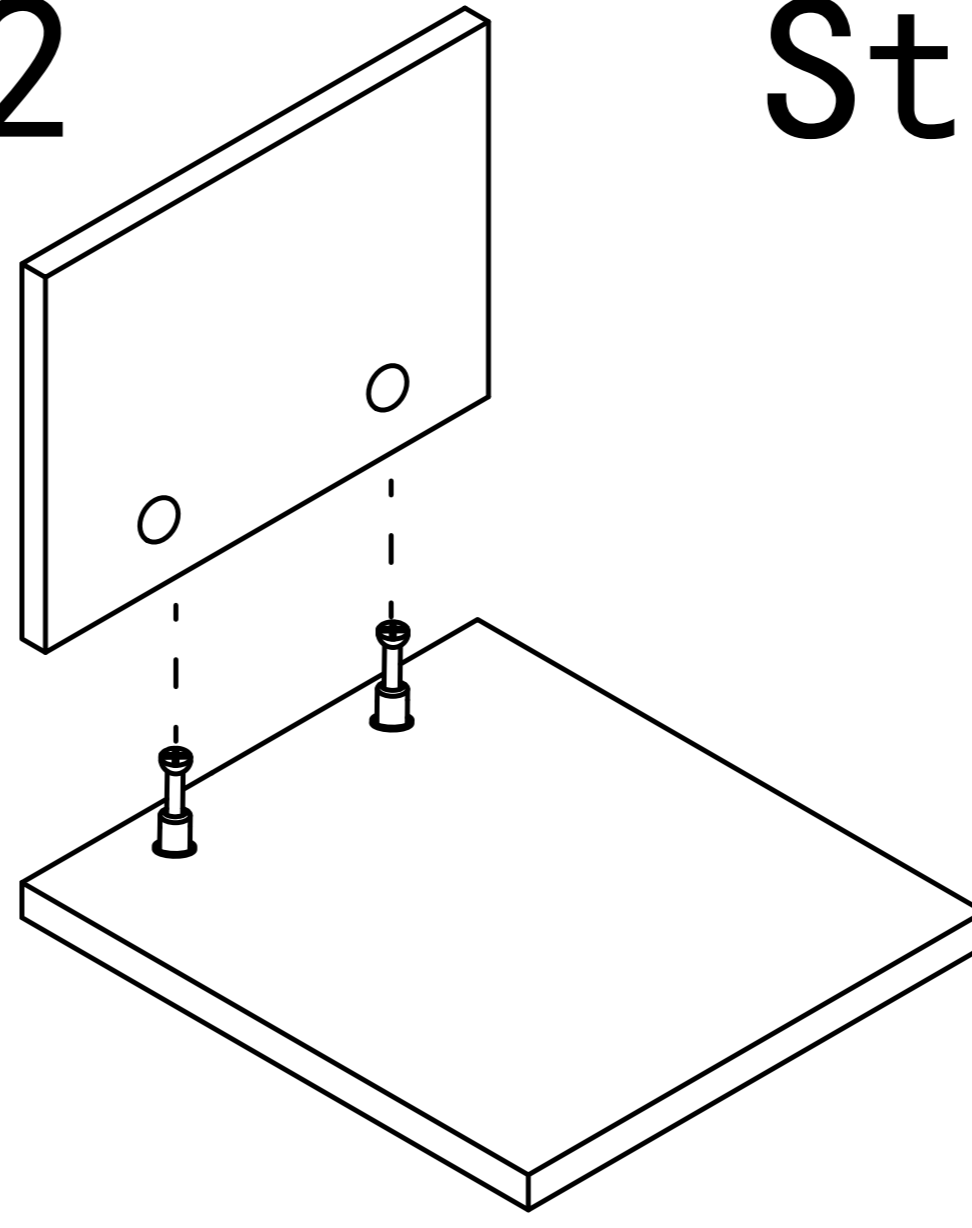


Use parts A and B

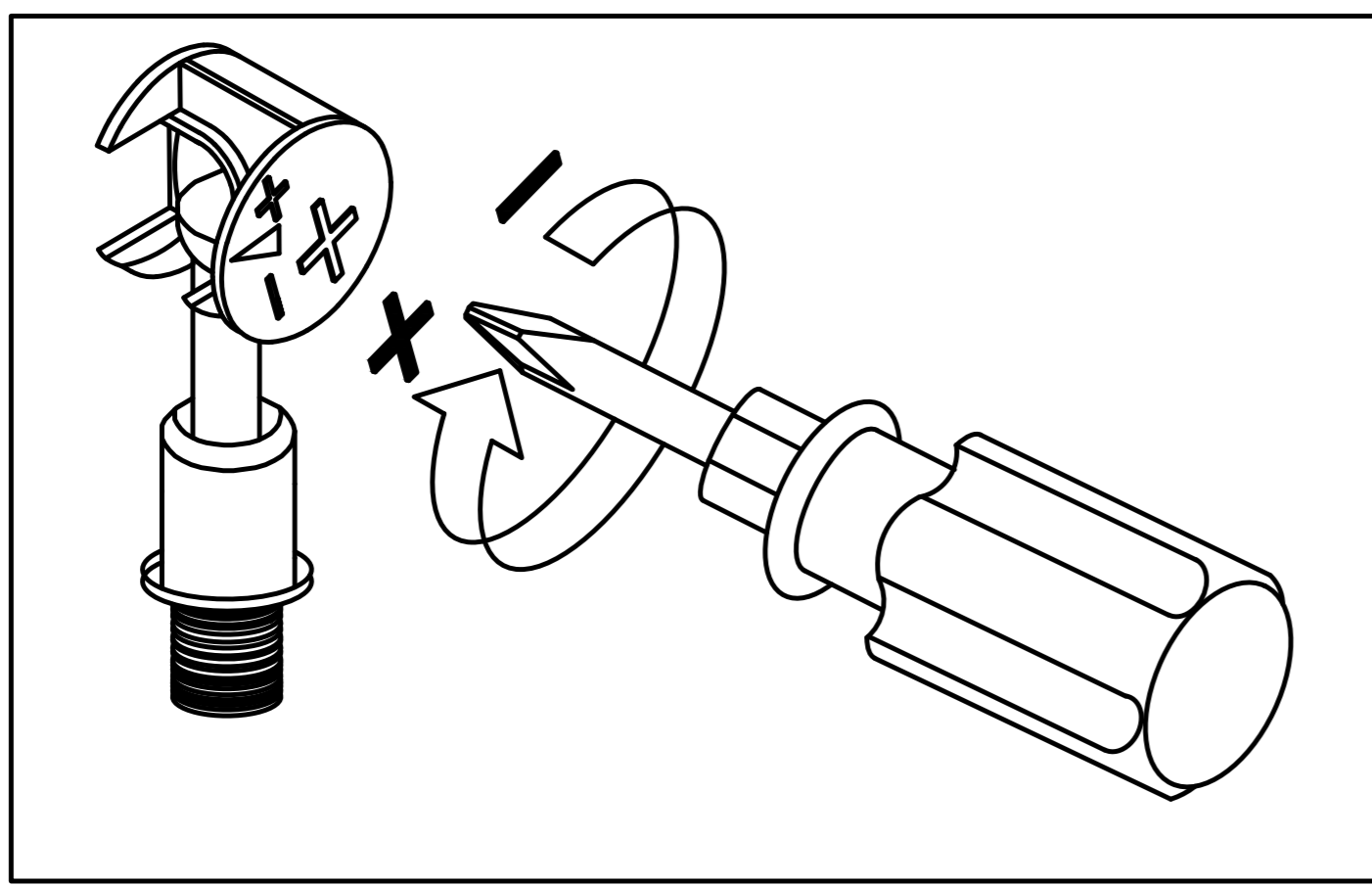
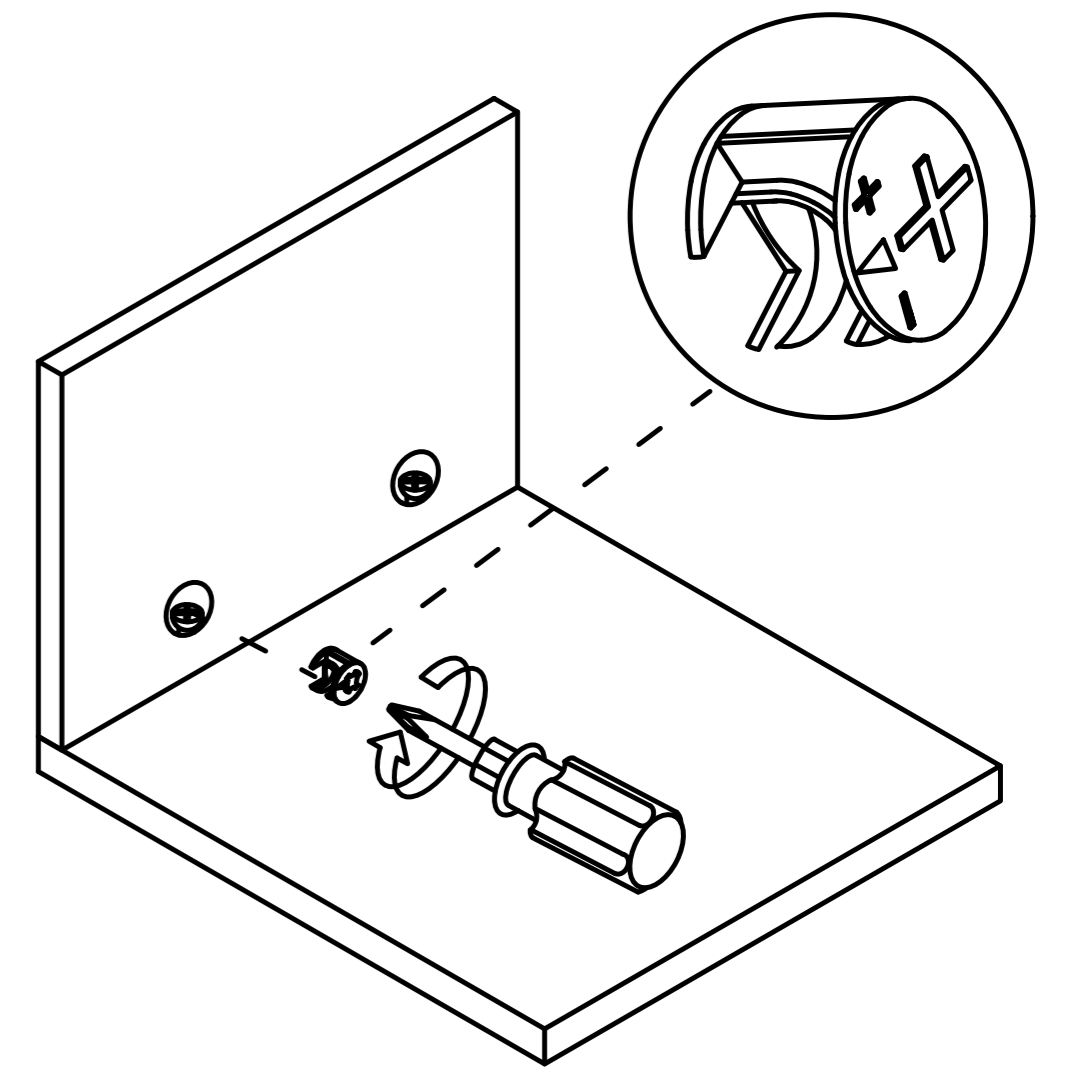
Step 1



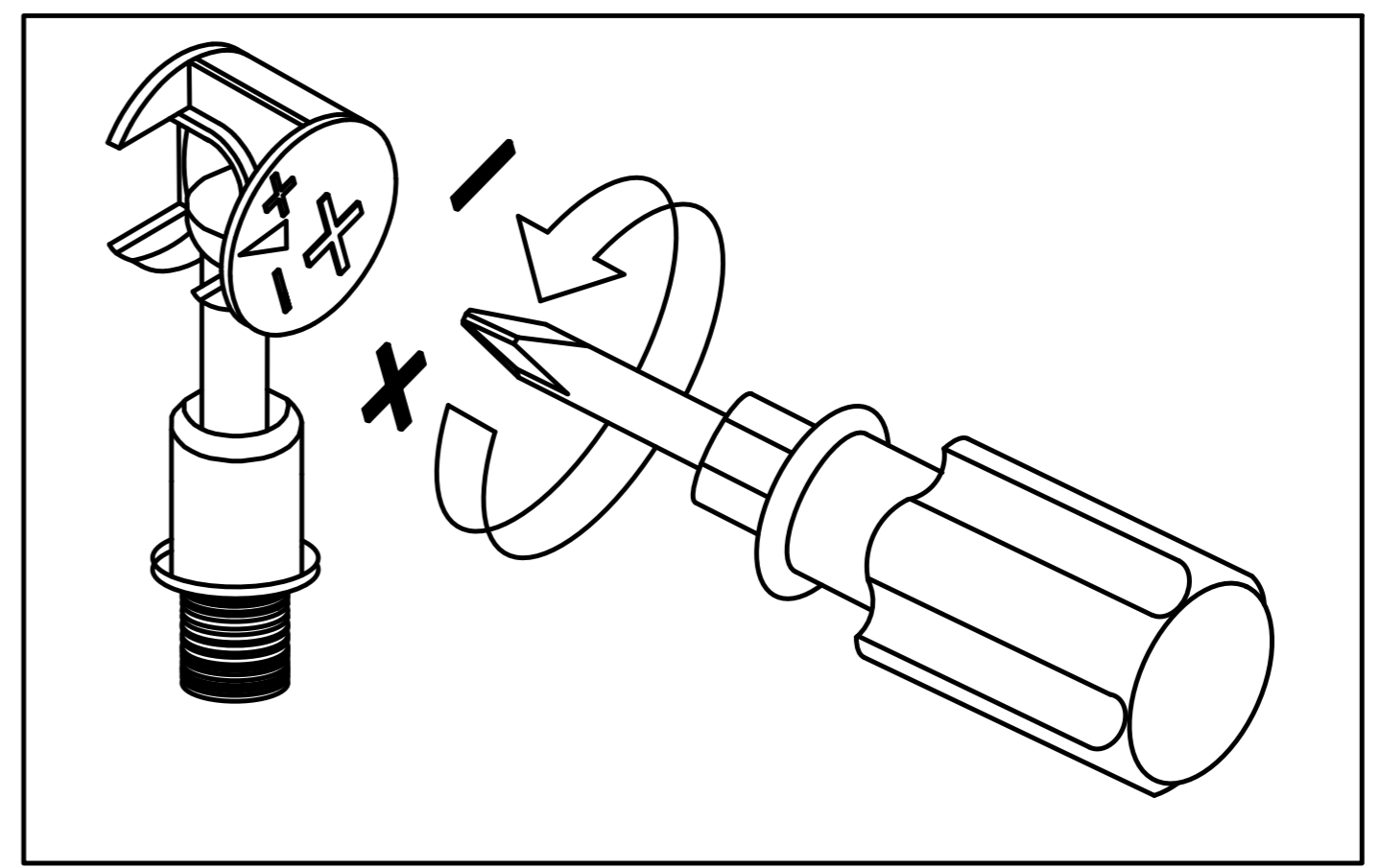
Step 2



Step 3

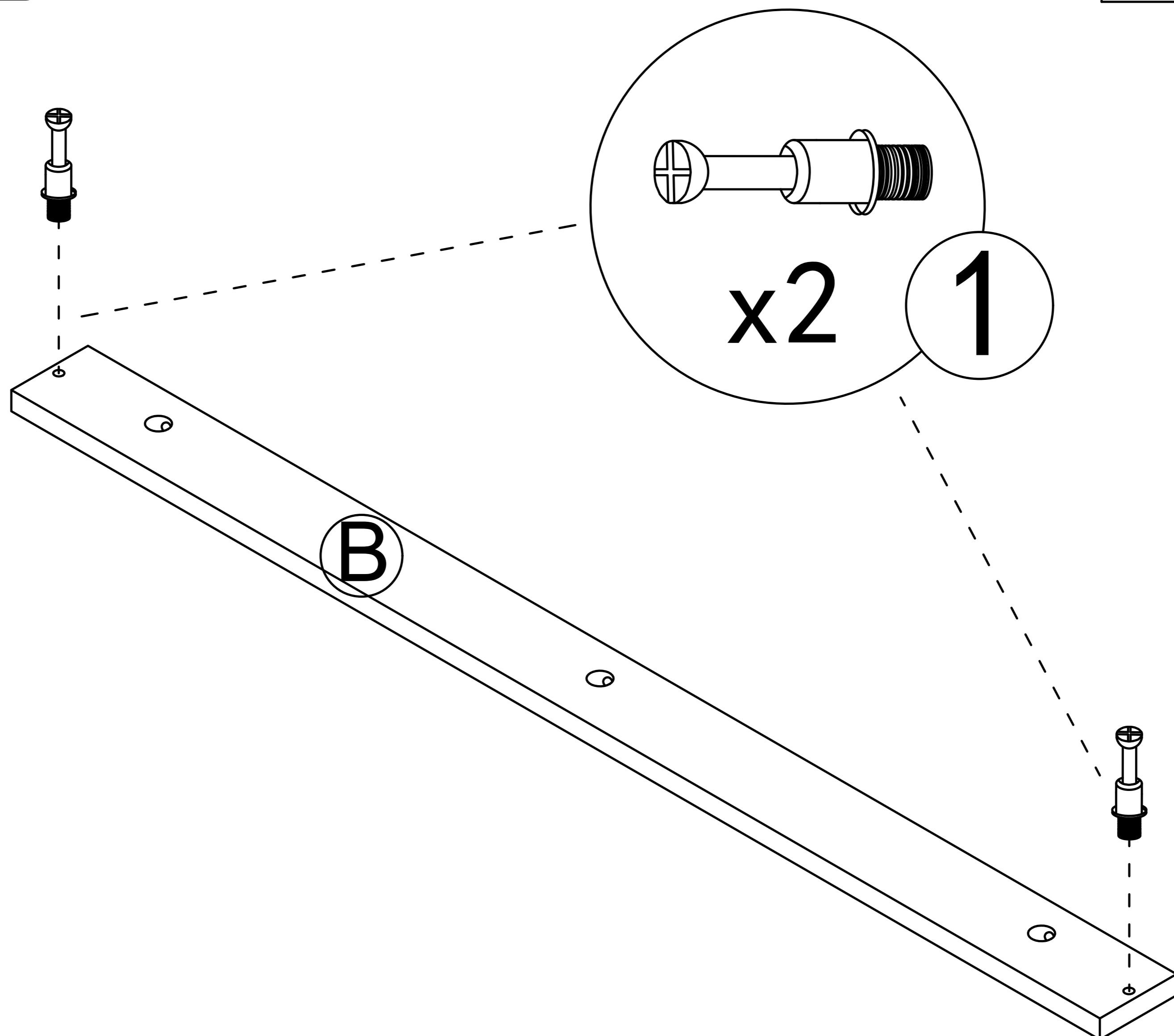
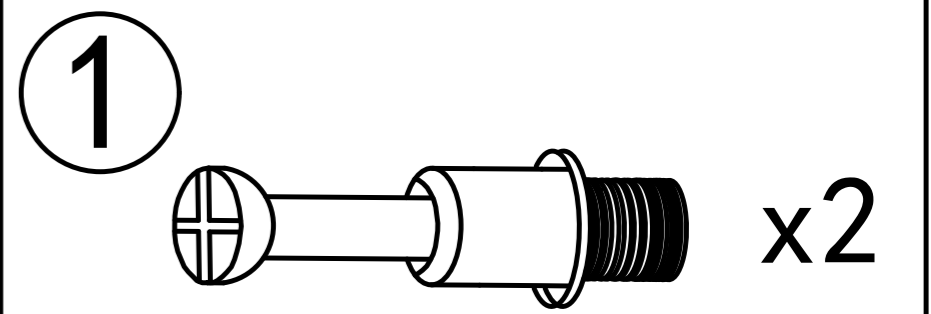


Use a screwdriver to lock in the direction of the "+" sign



Disassemble along the direction of "-" sign

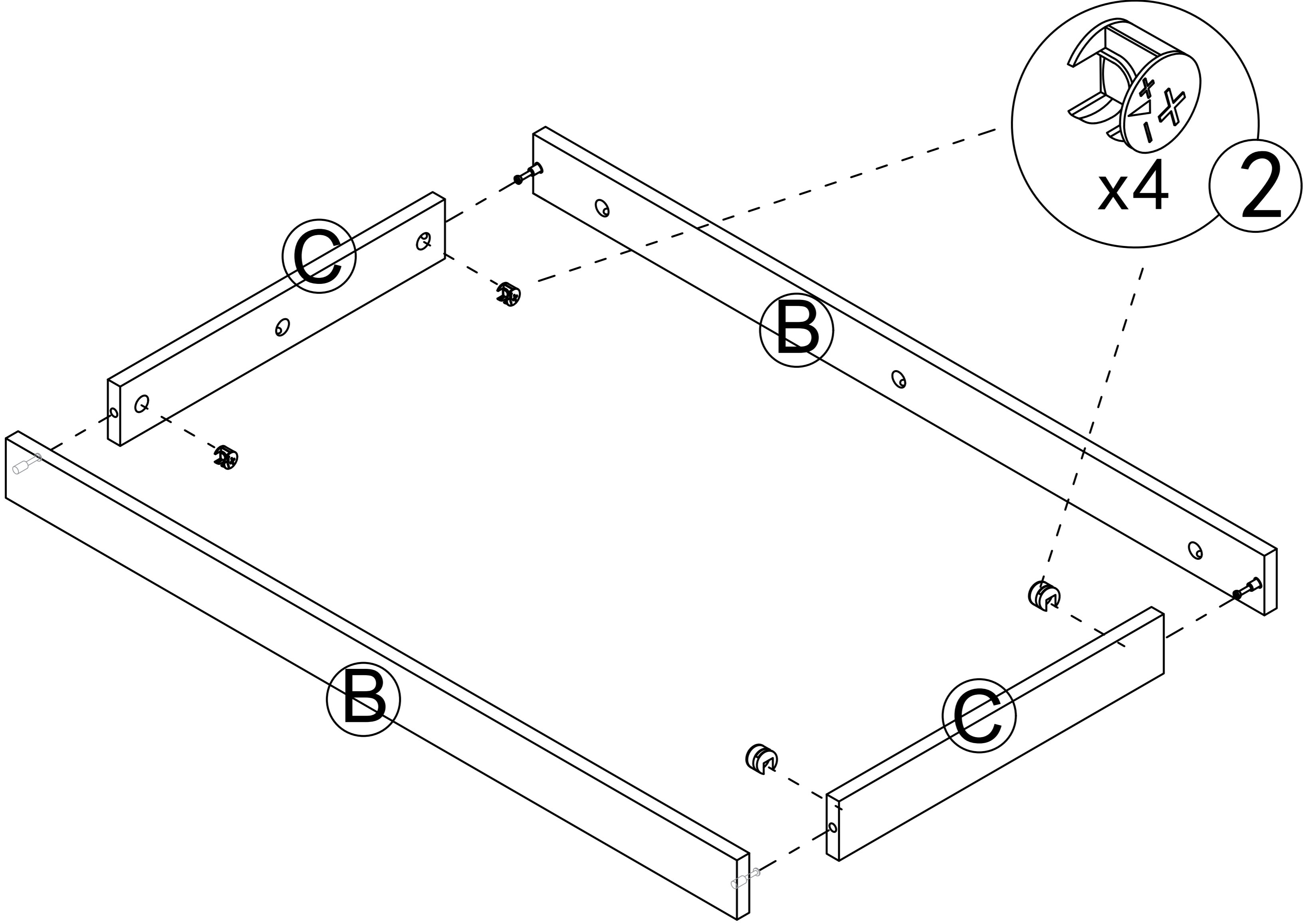
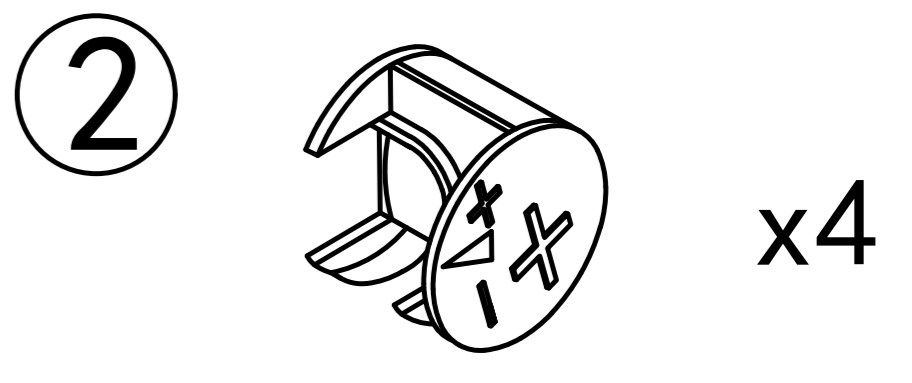
Step 1



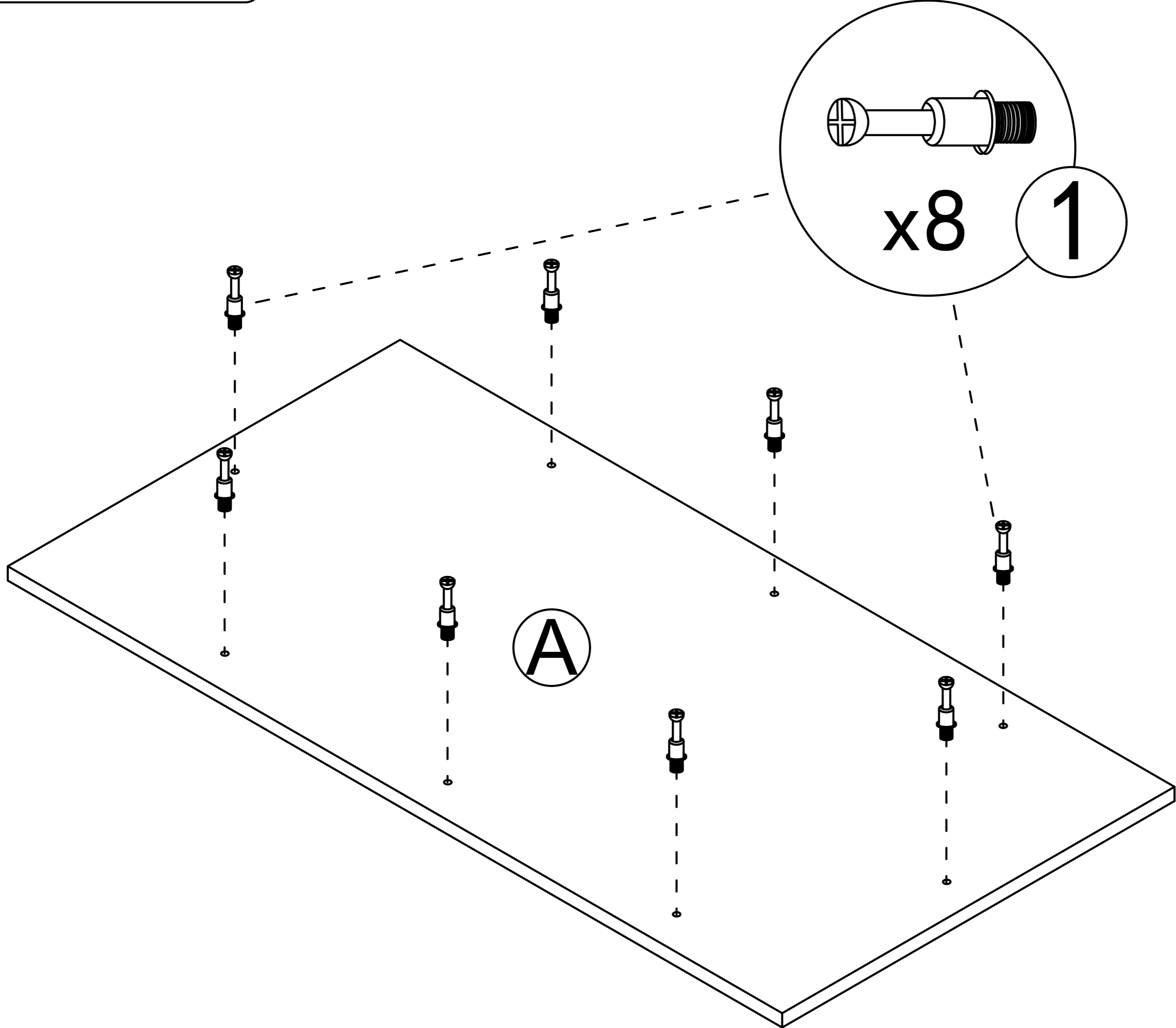
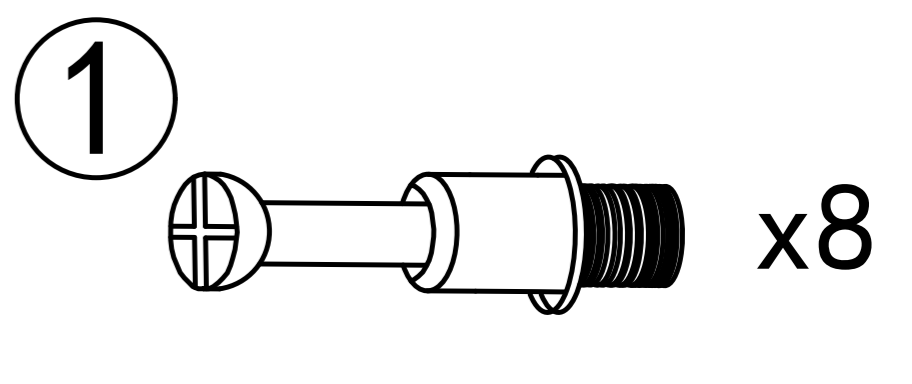
This step is repeated twice

5

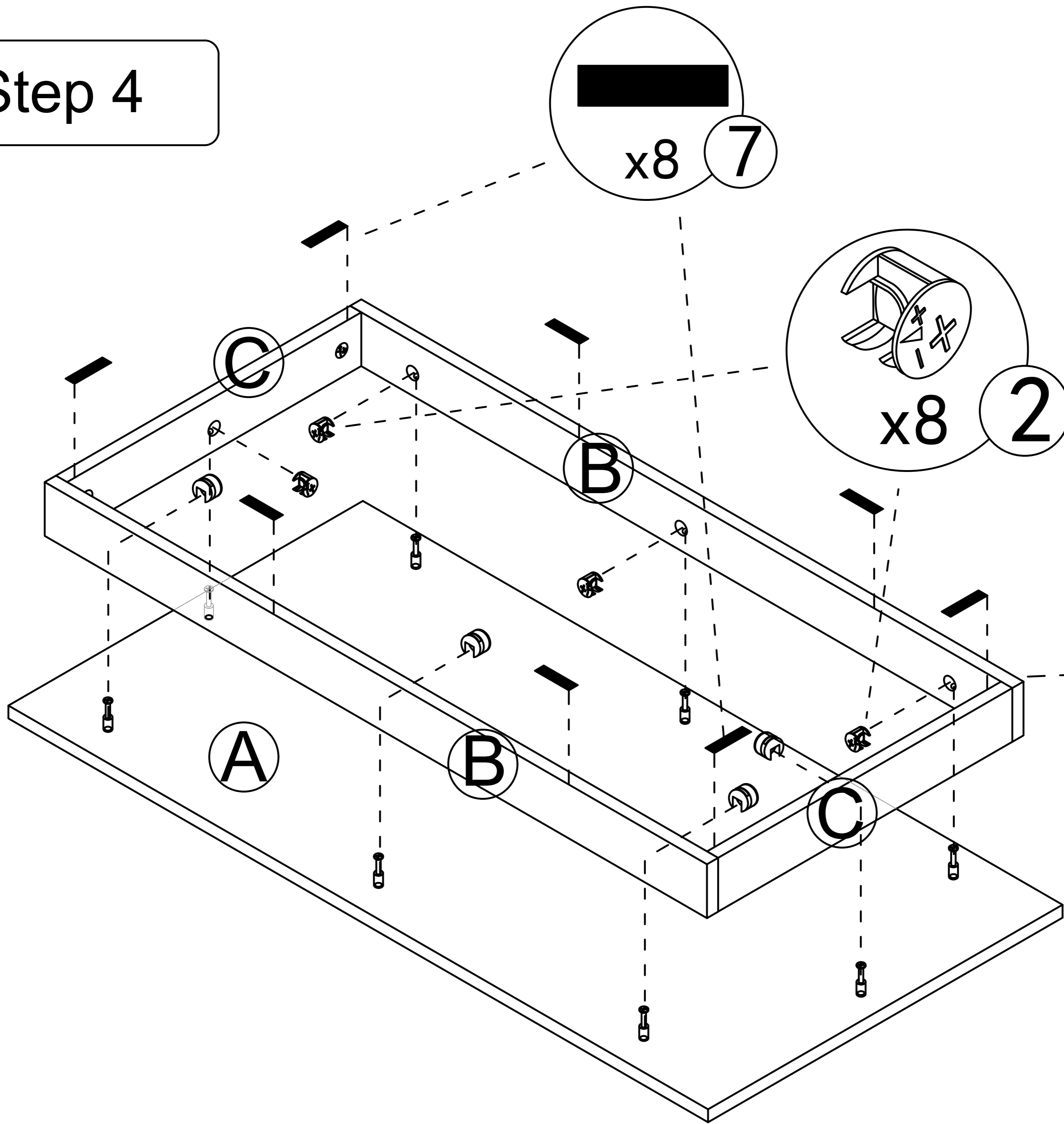
Step 2

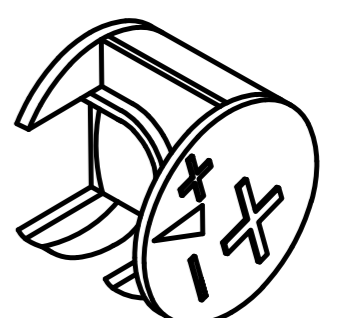



Step 3

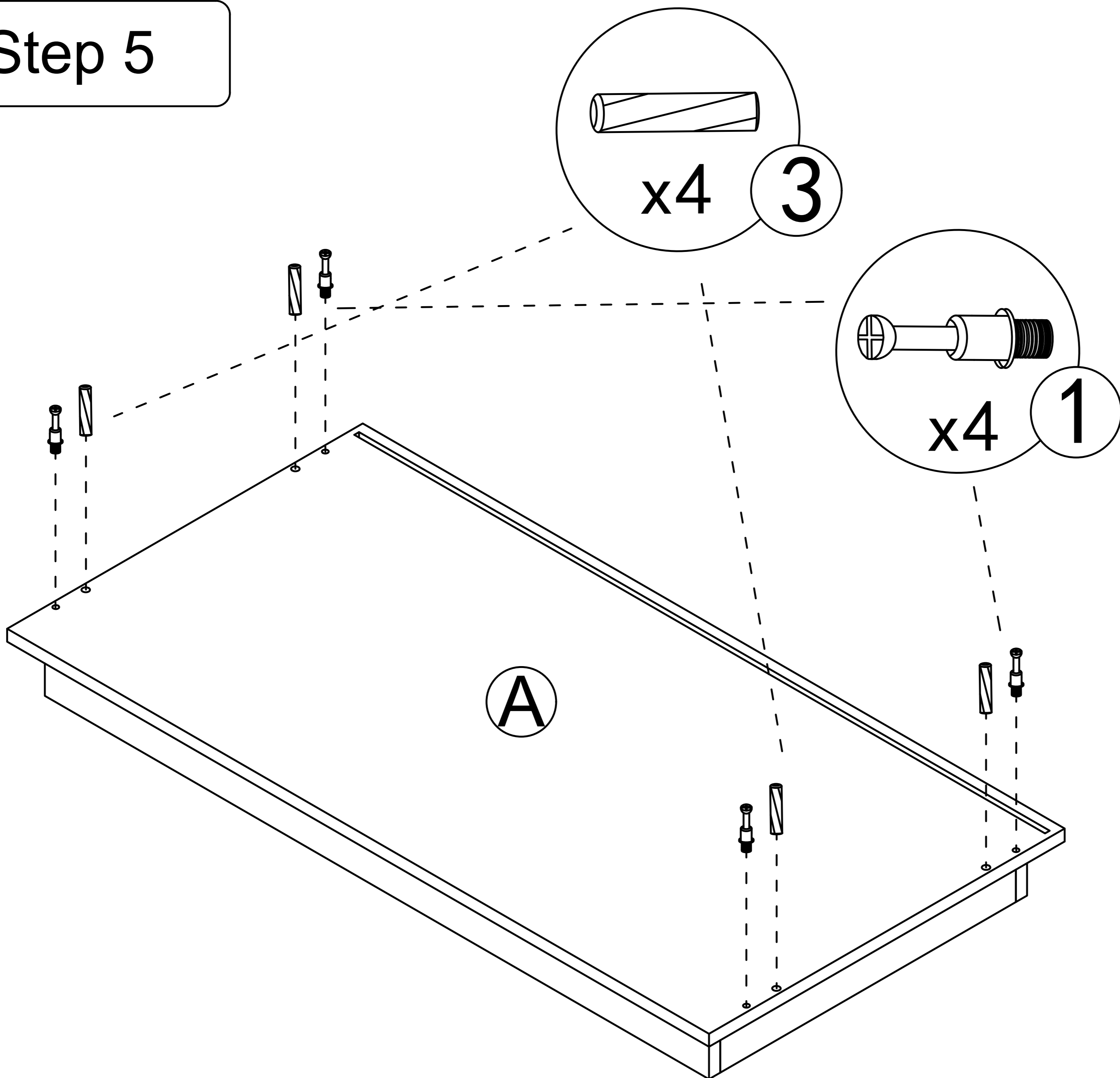


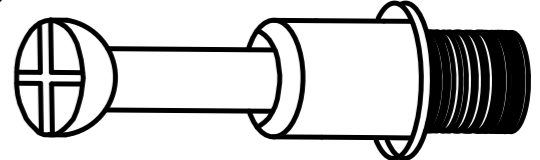

Step 4



- ②  x8
 - ⑦  x8
- Tear off release paper and stick the black foot pad on the board

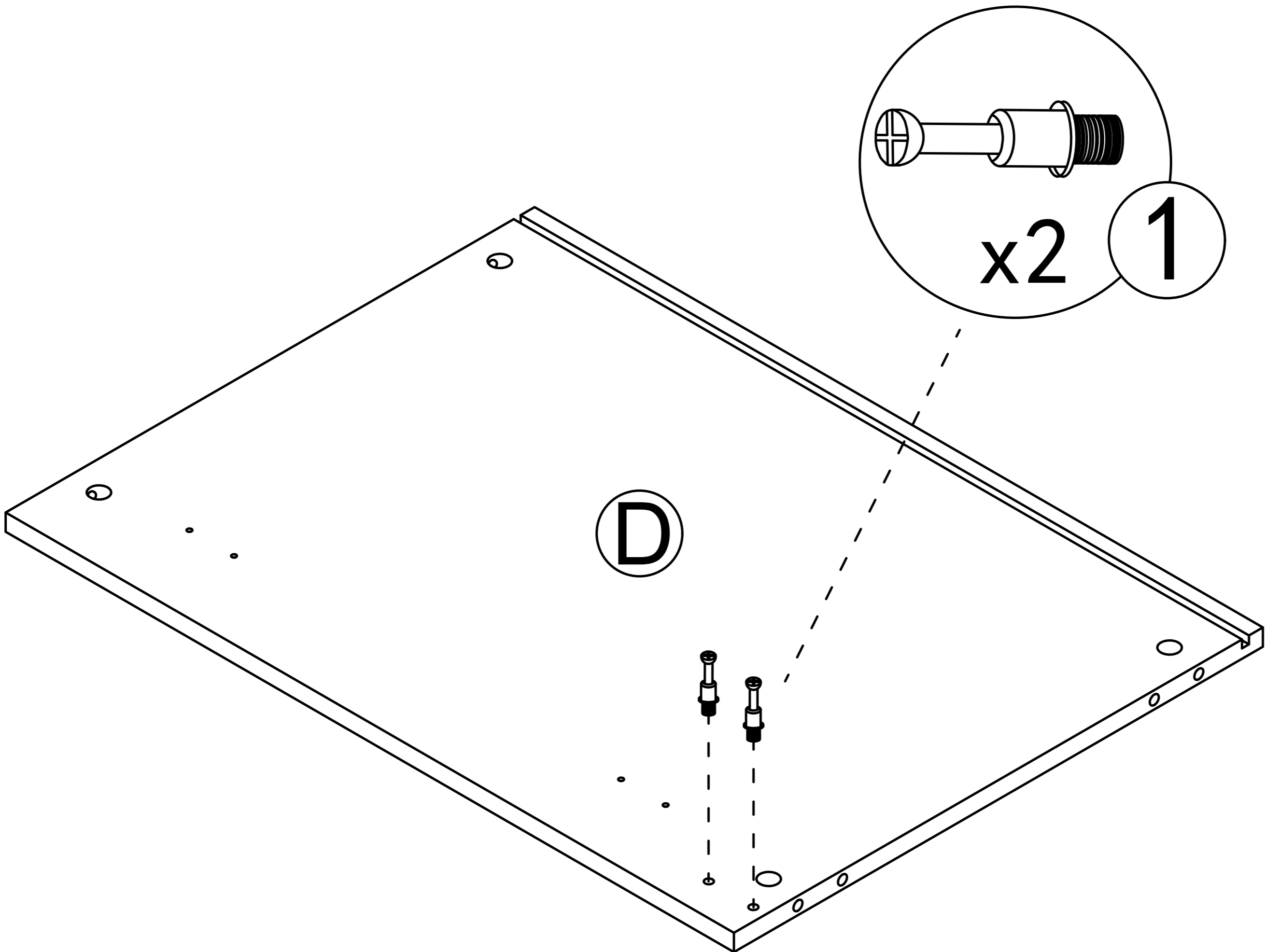
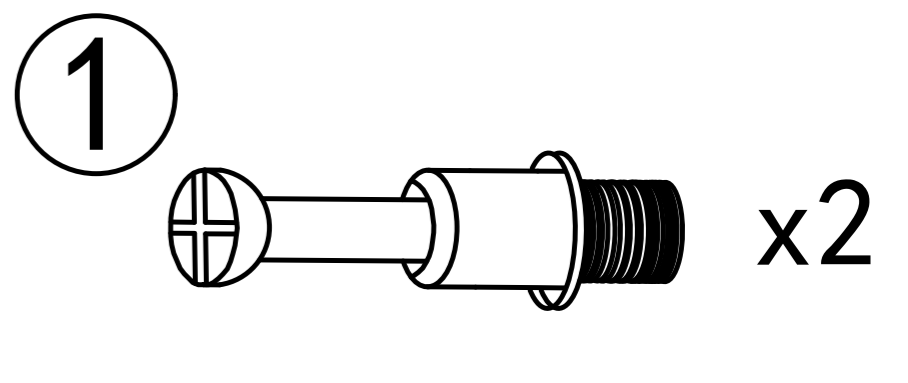
Step 5



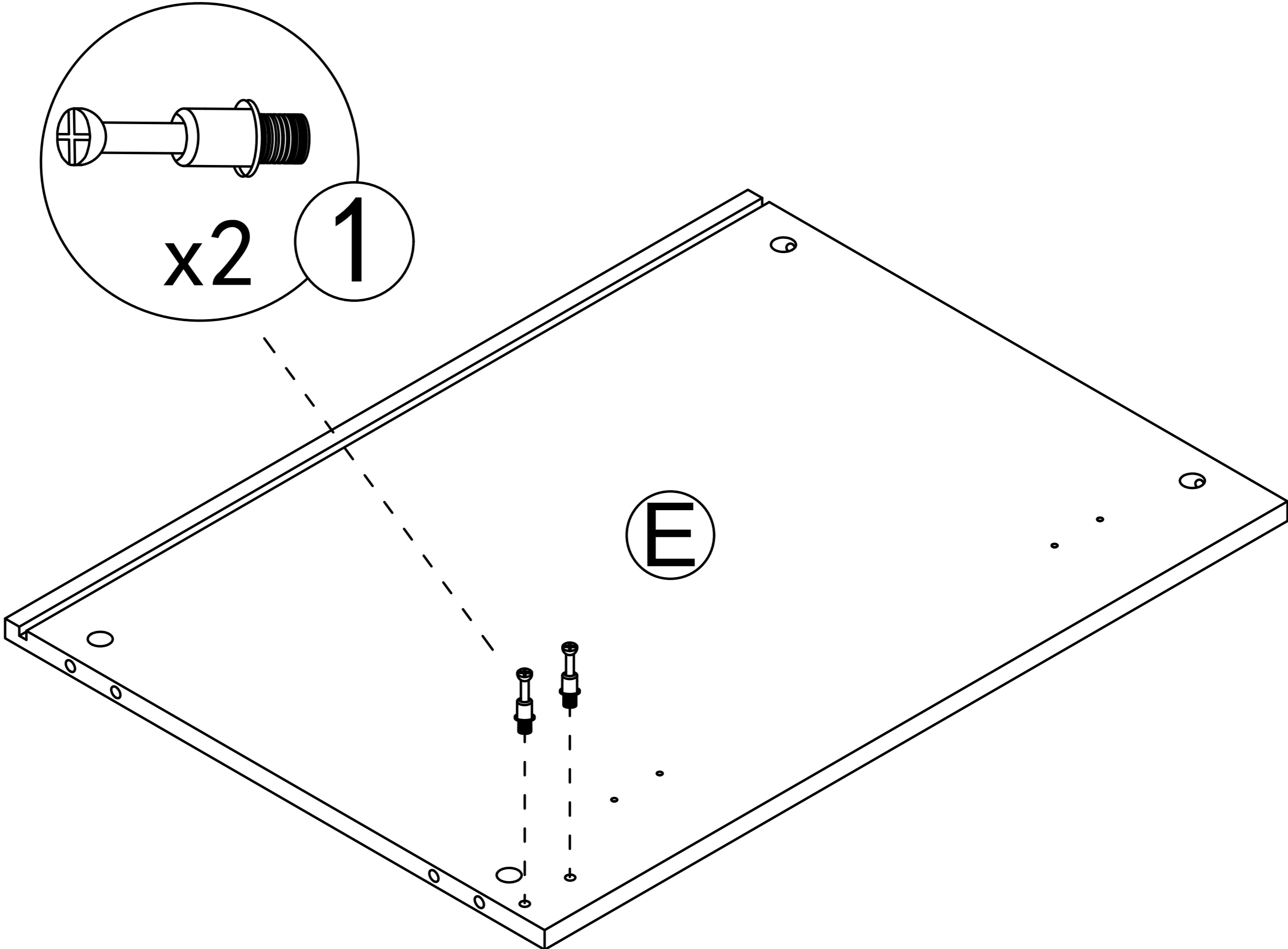
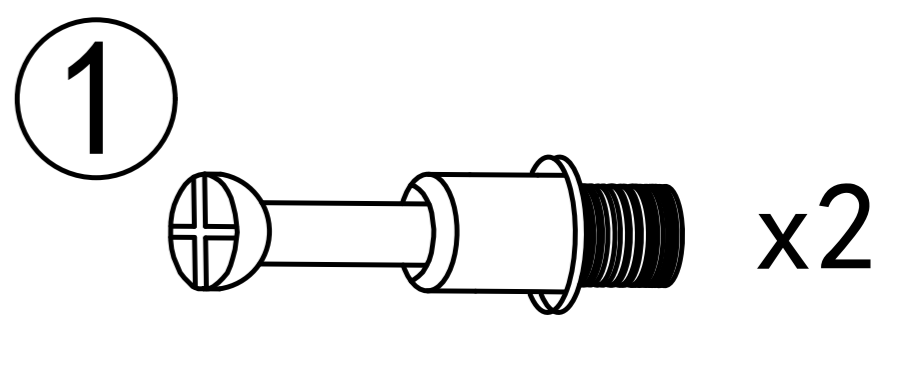
- ①  x4
- ③  x4



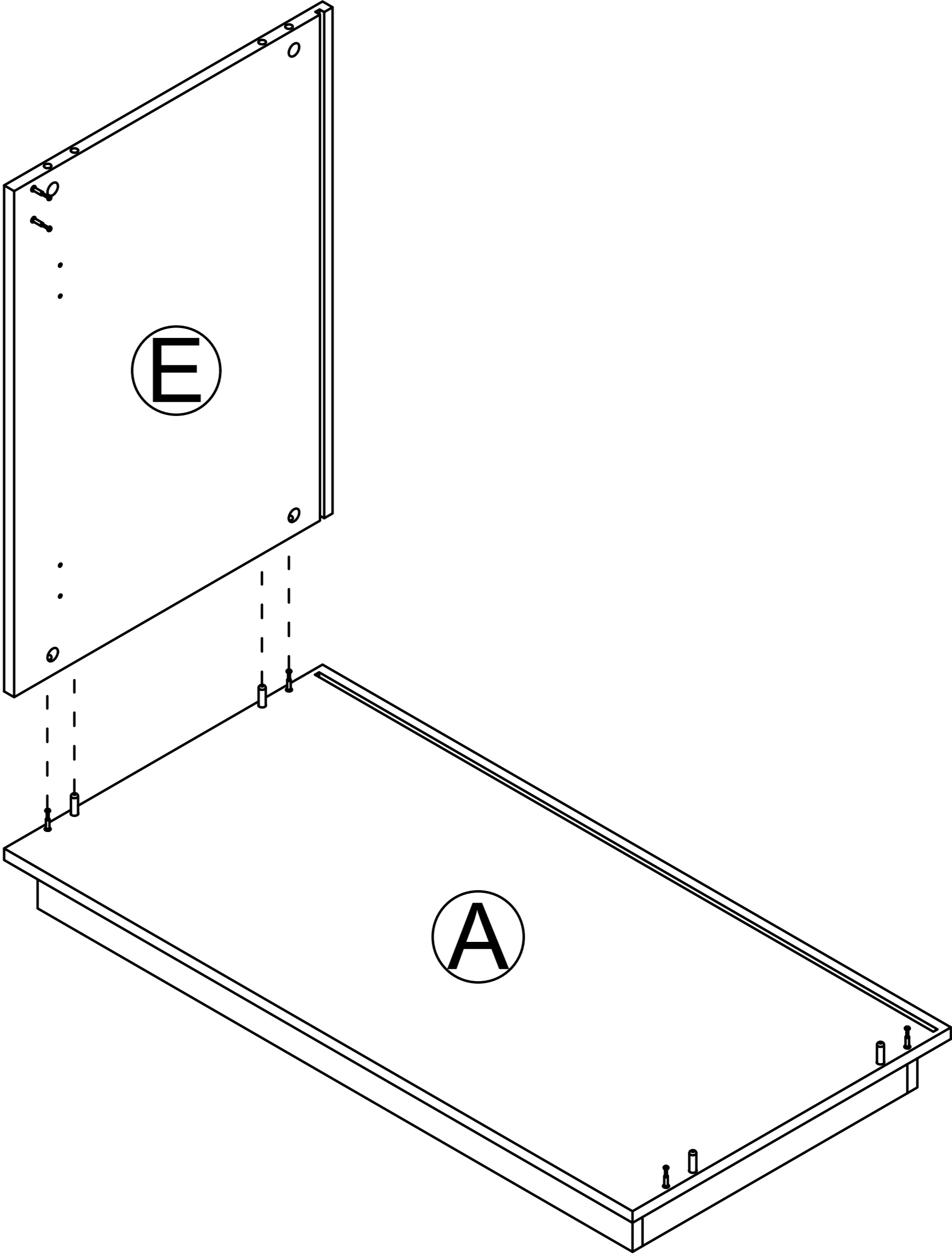
Step 6



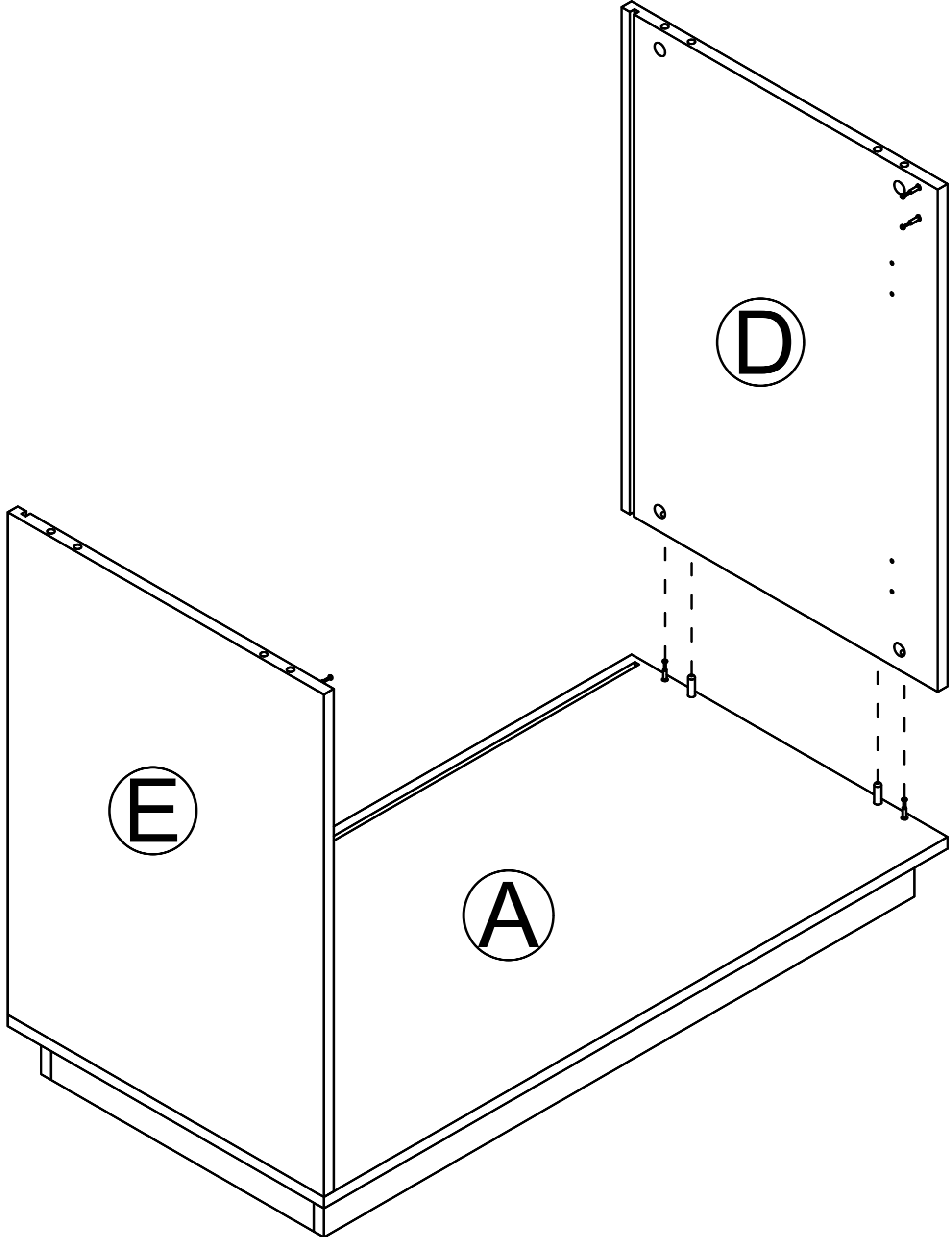
Step 7



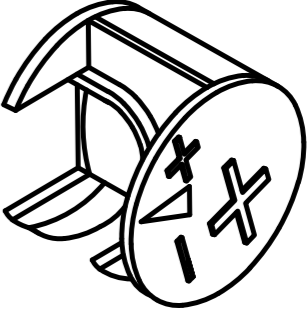
Step 8

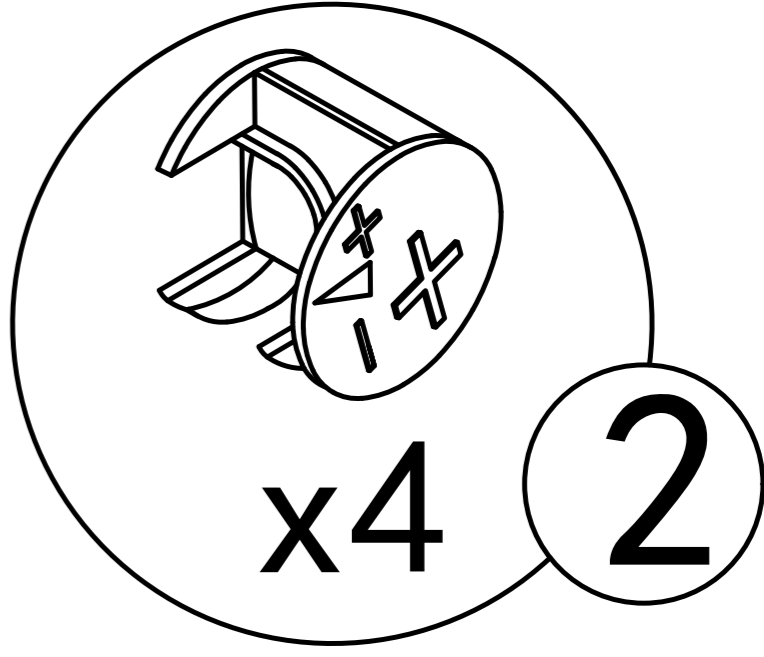
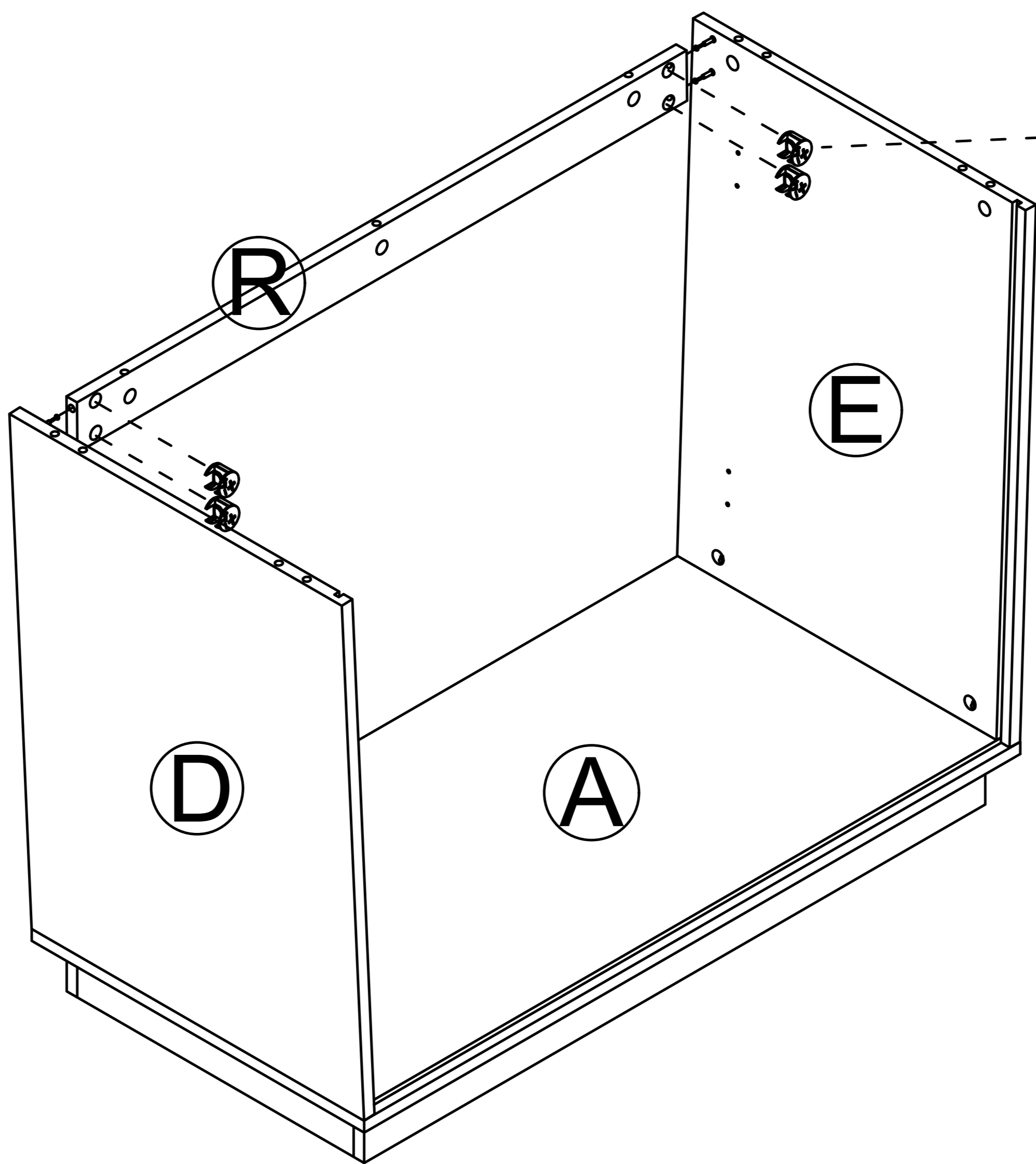


Step 9

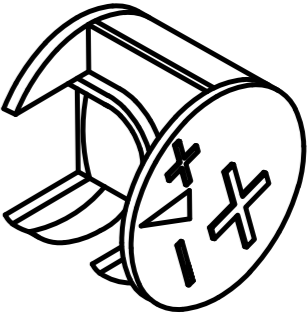


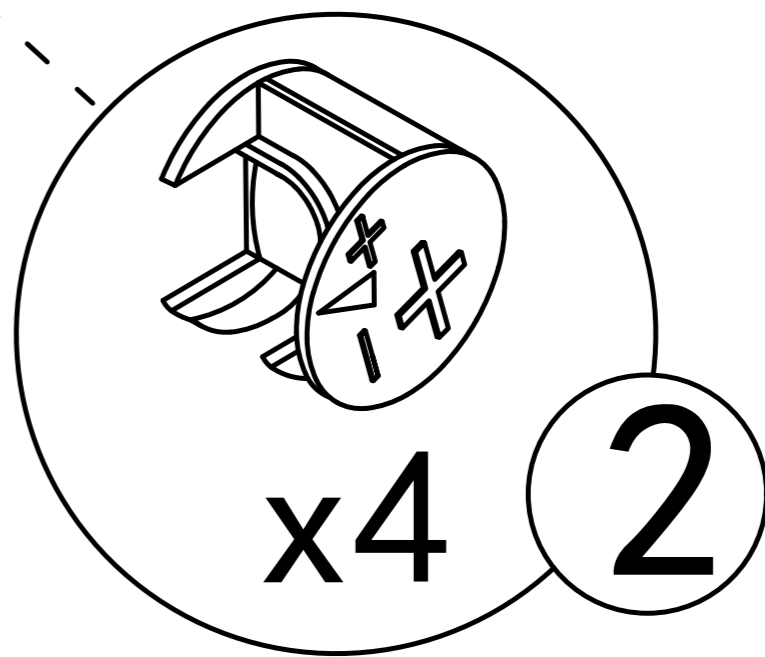
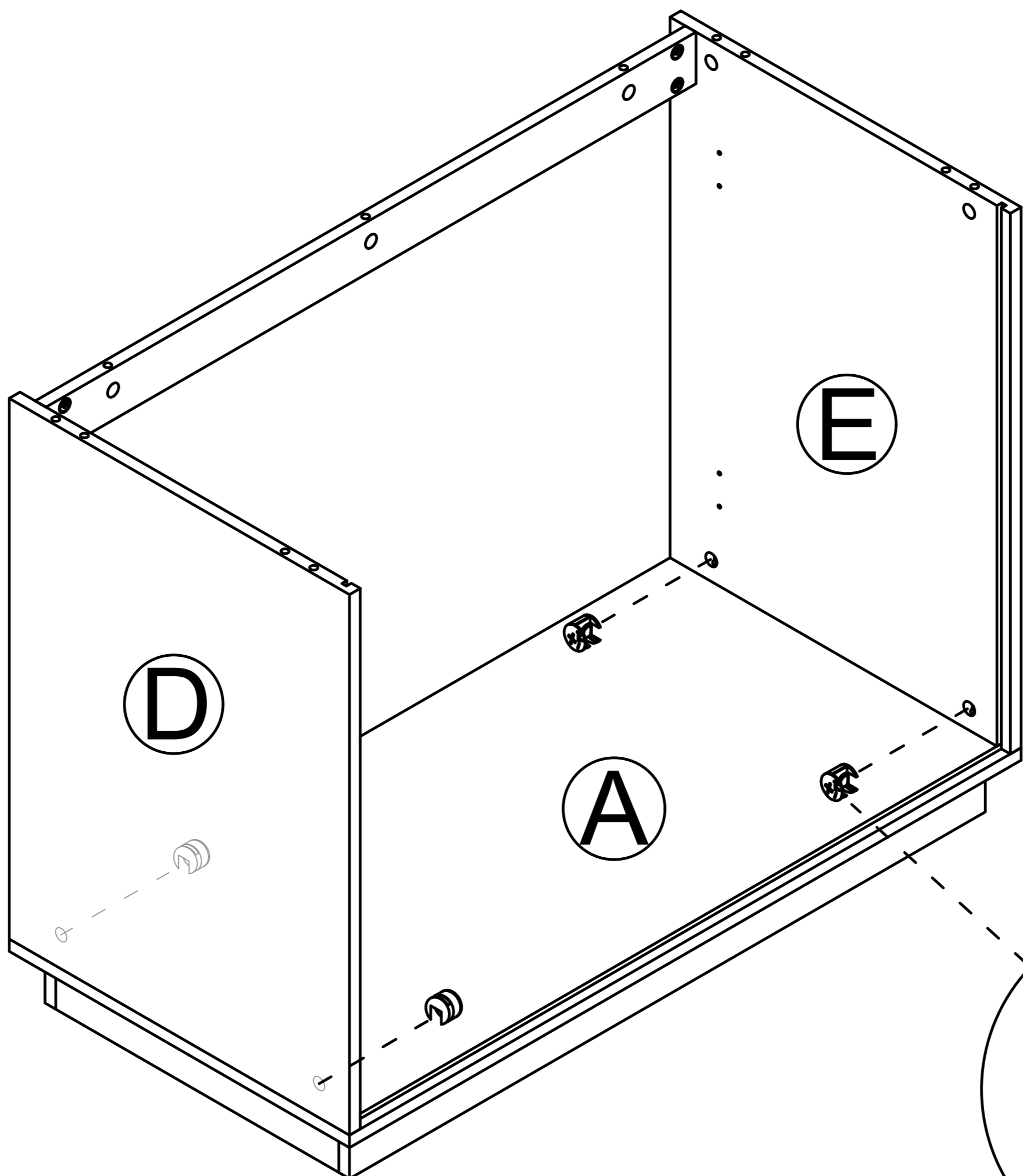
Step 10

2  x4

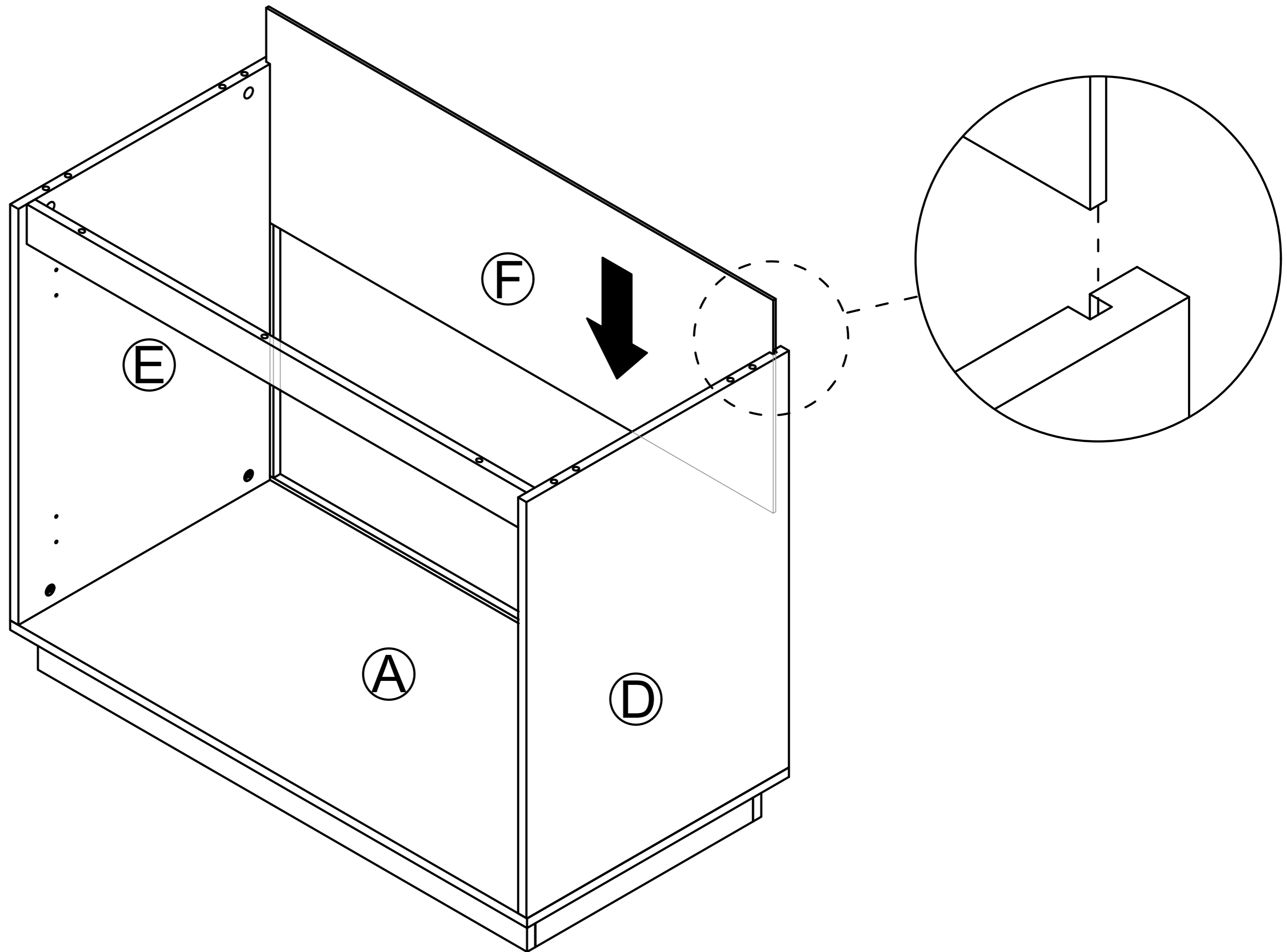


Step 11

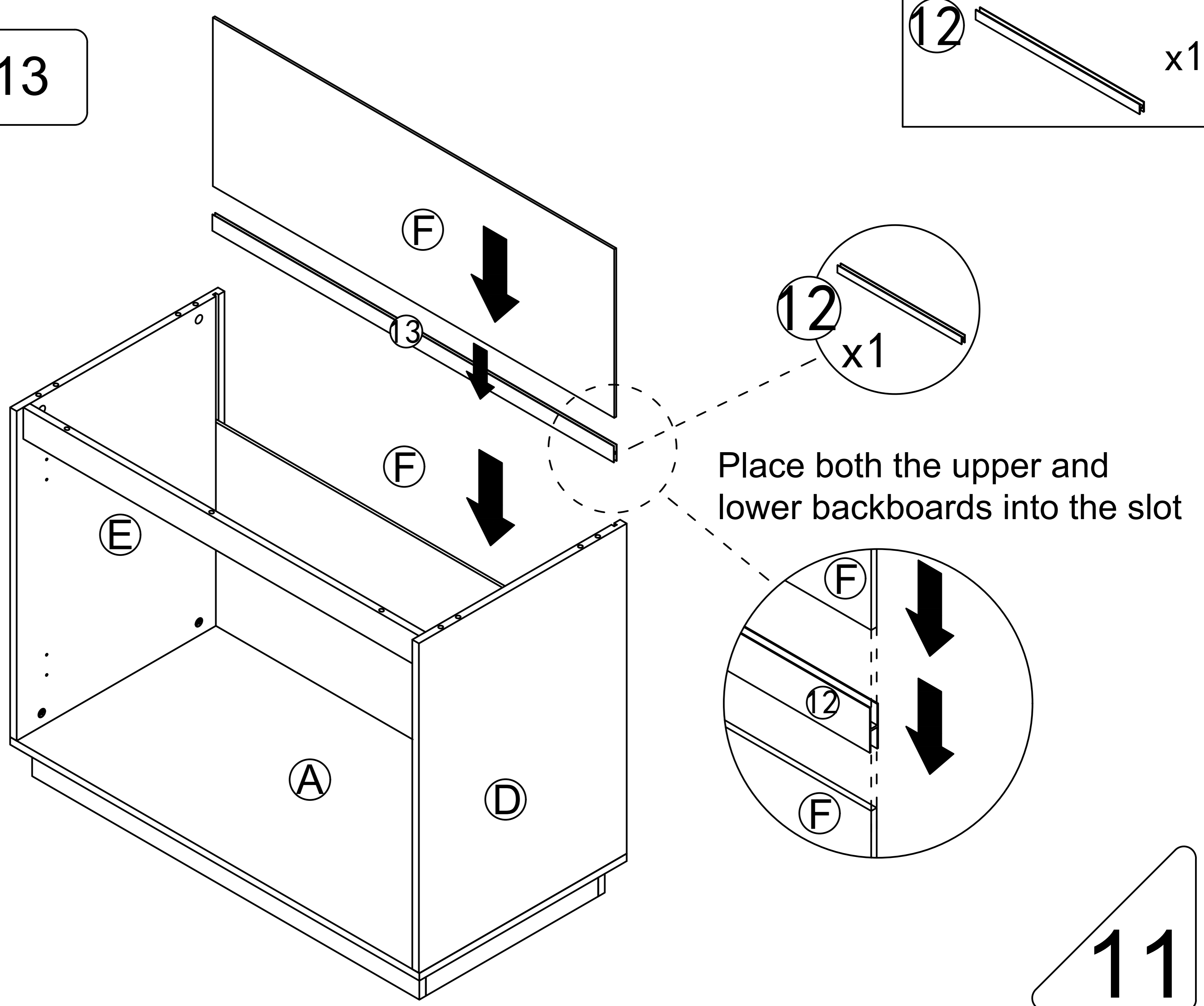
2  x4



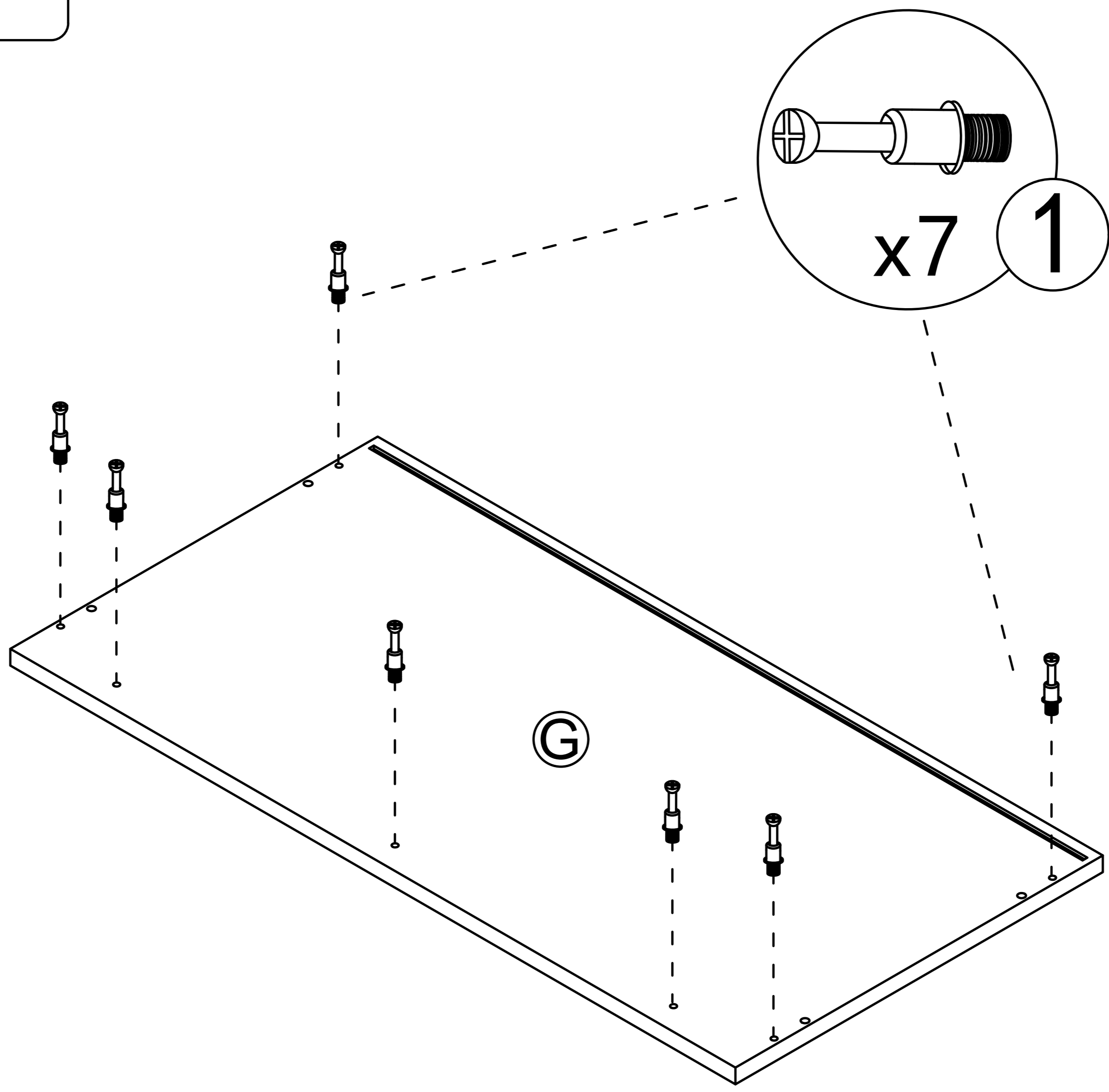
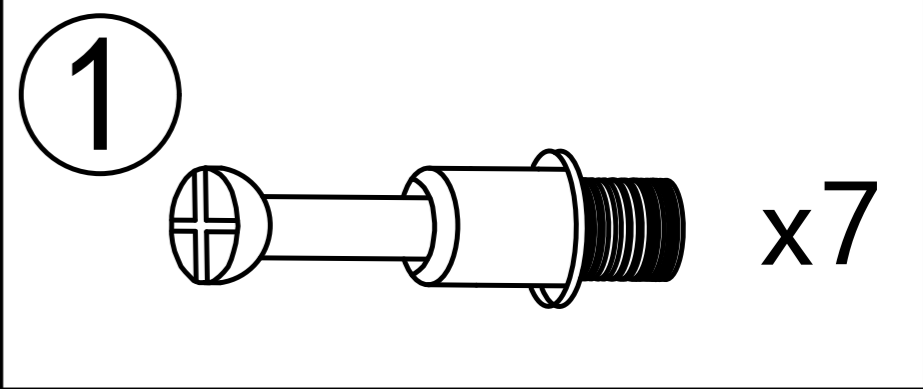
Step 12



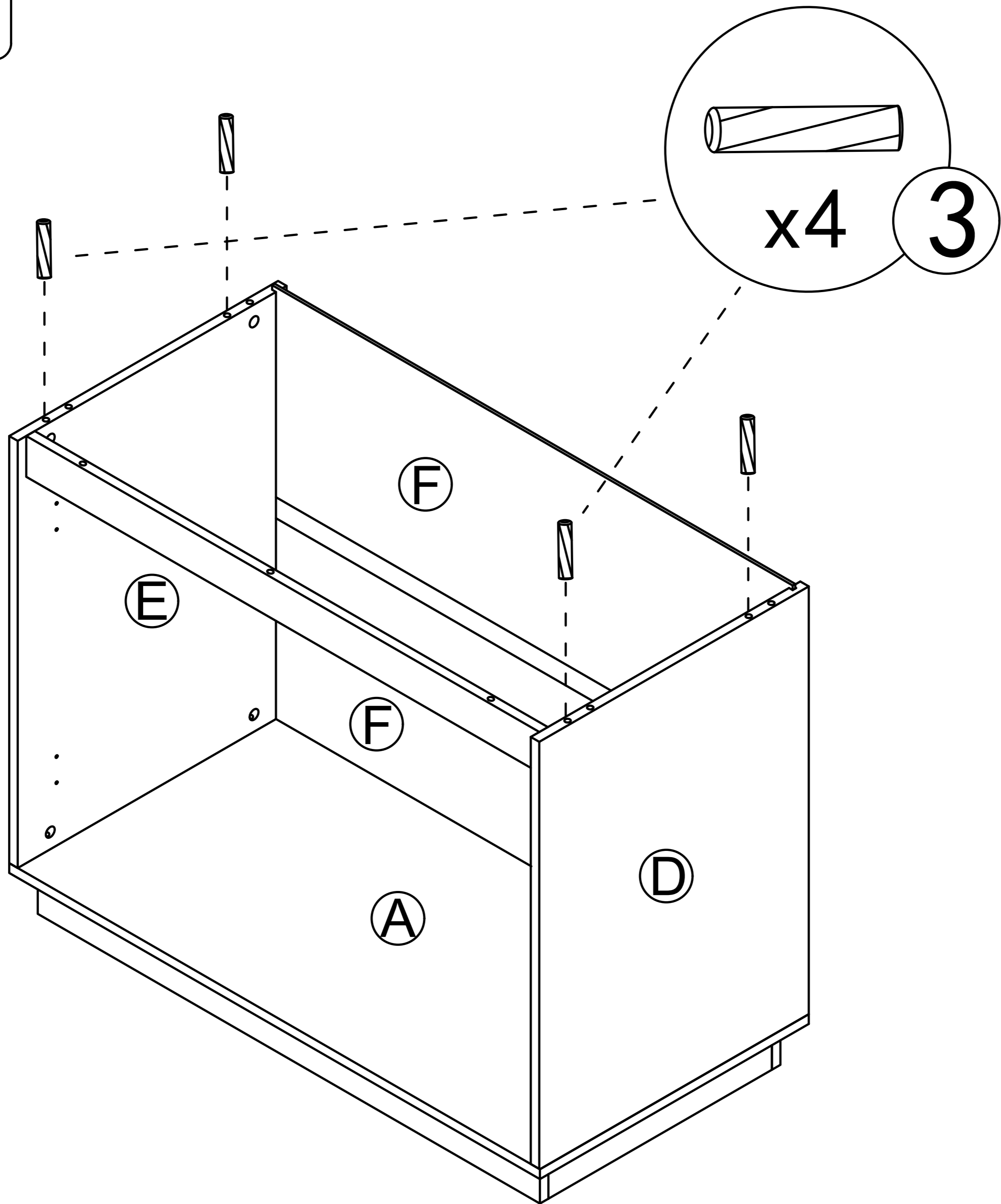
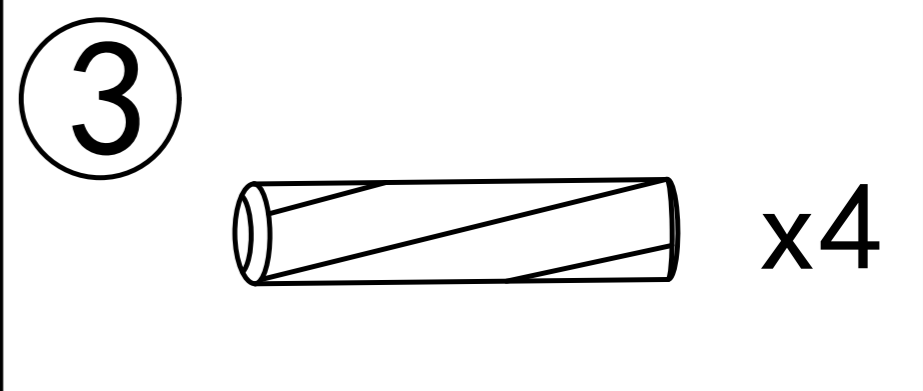
Step 13



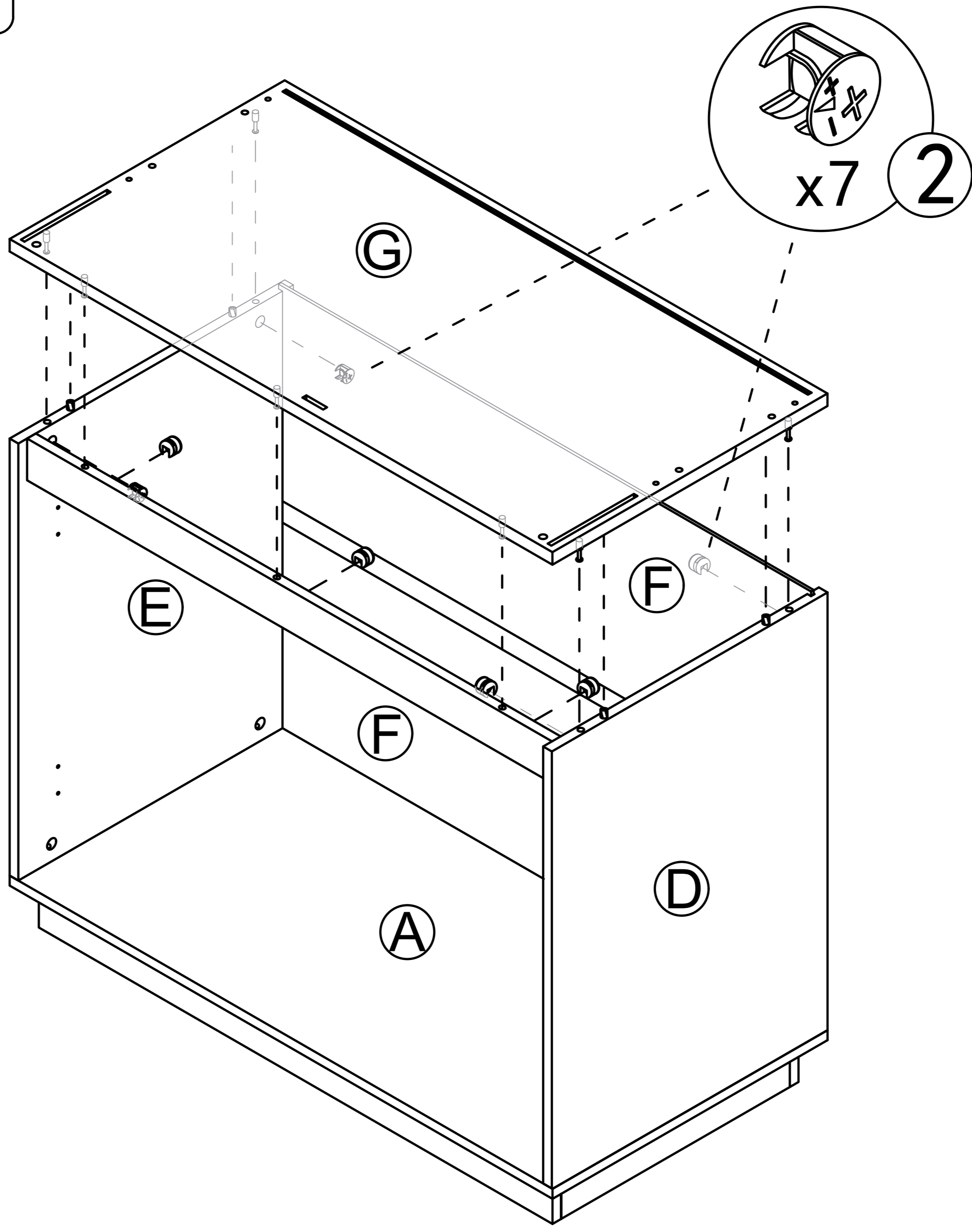
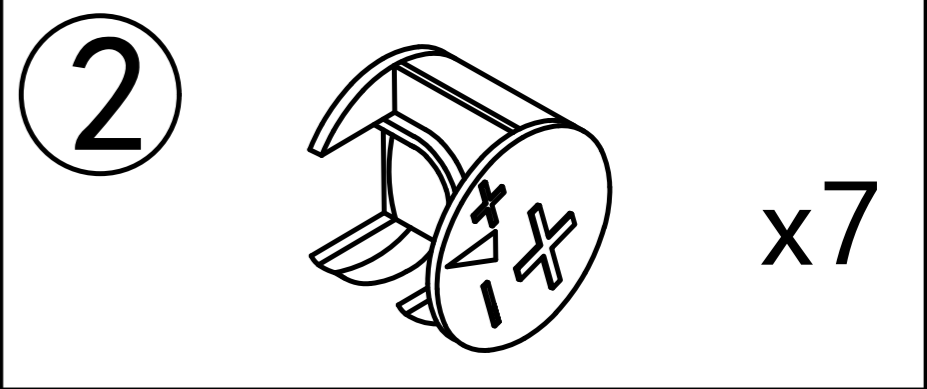
Step 14



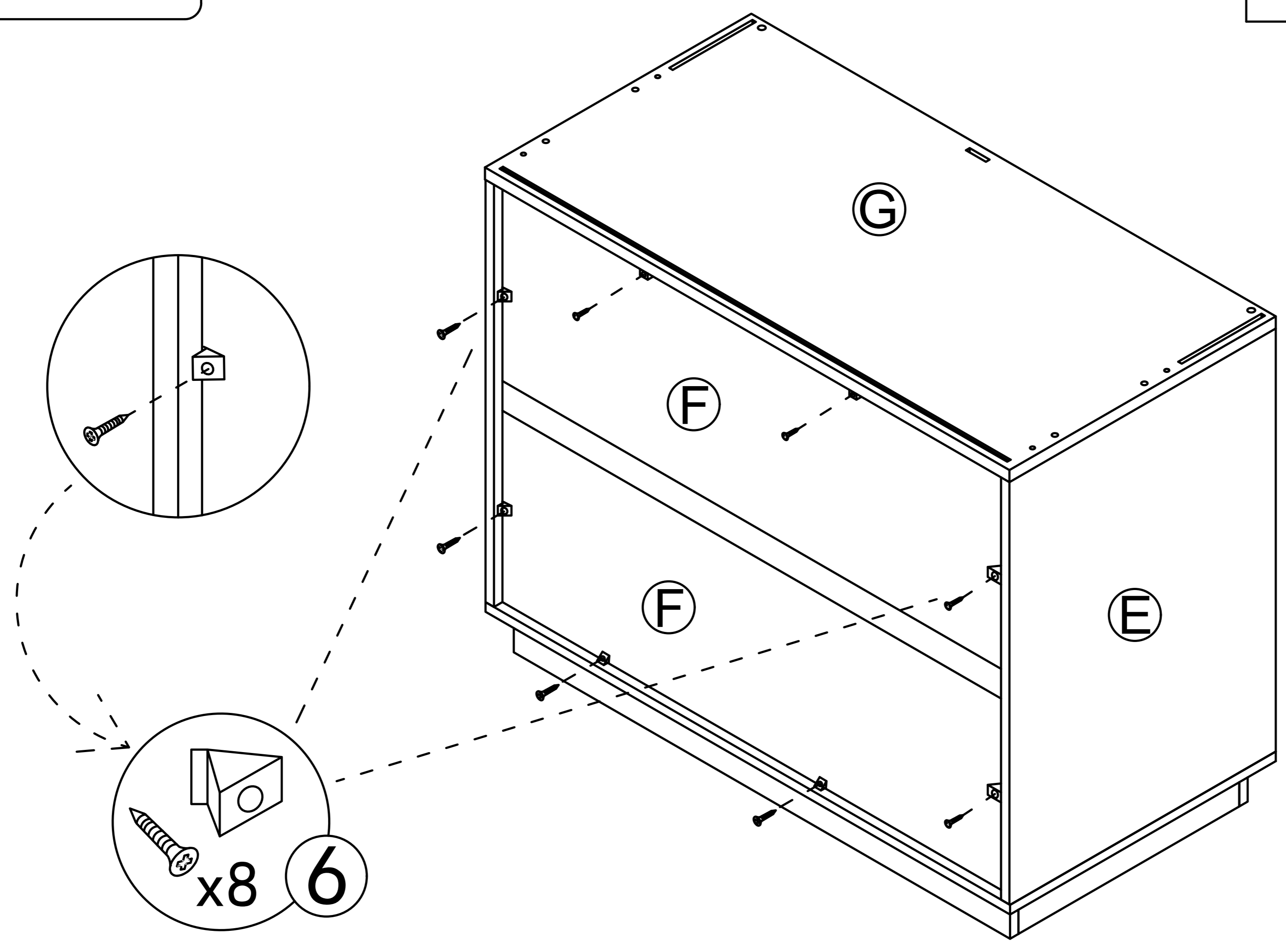
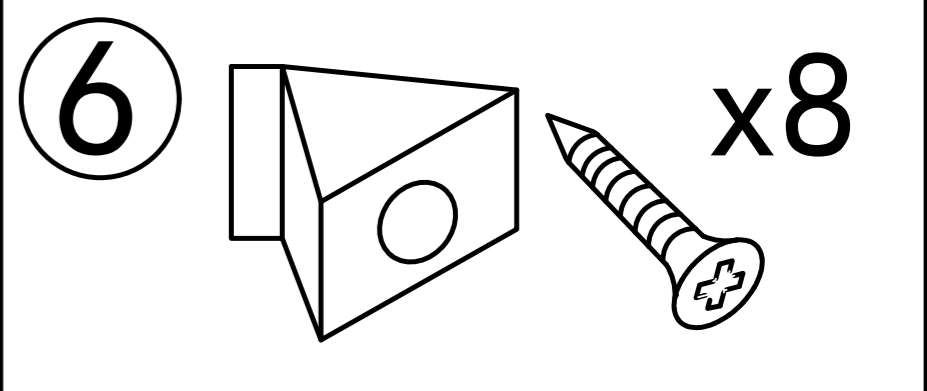
Step 15



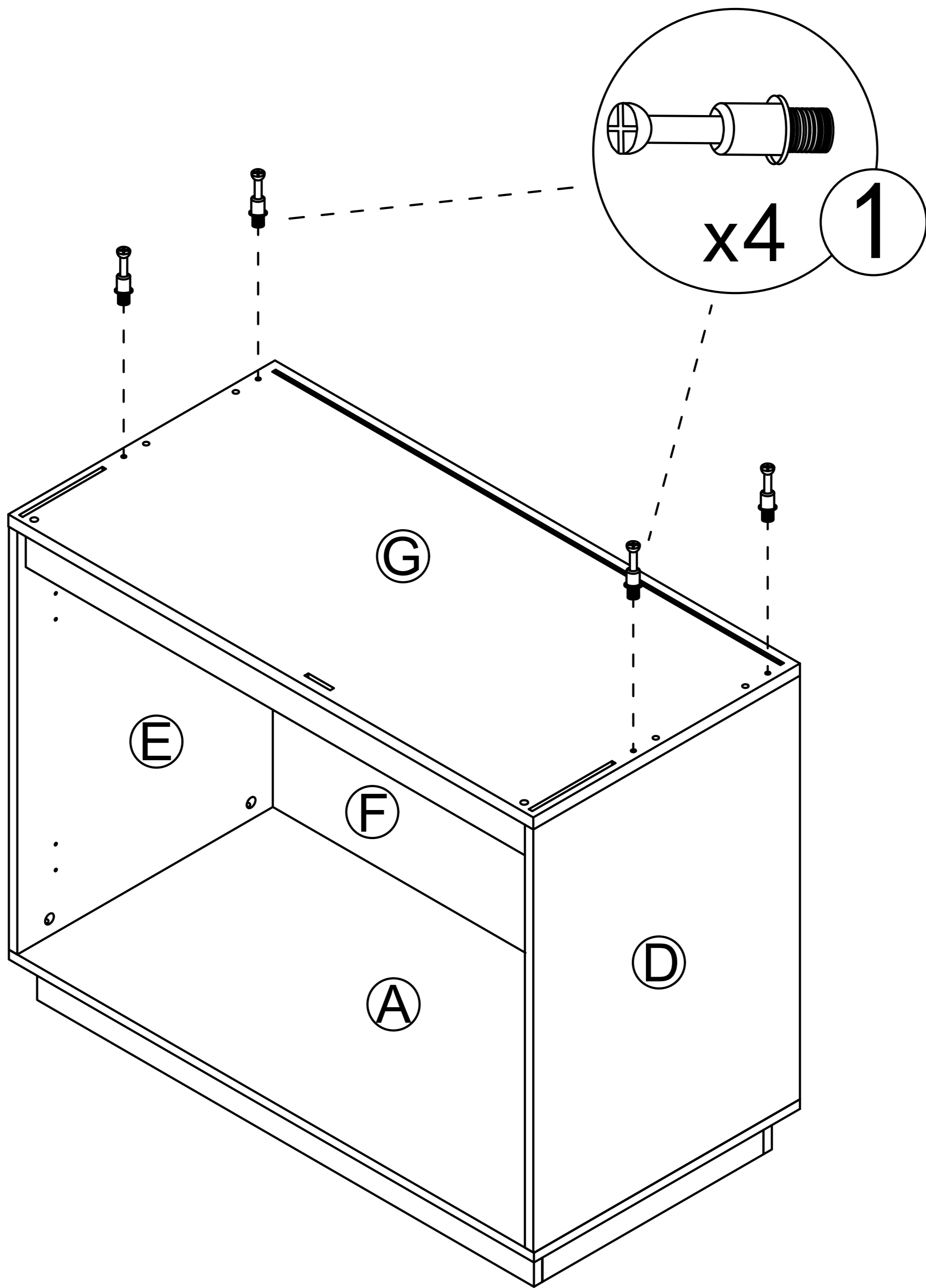
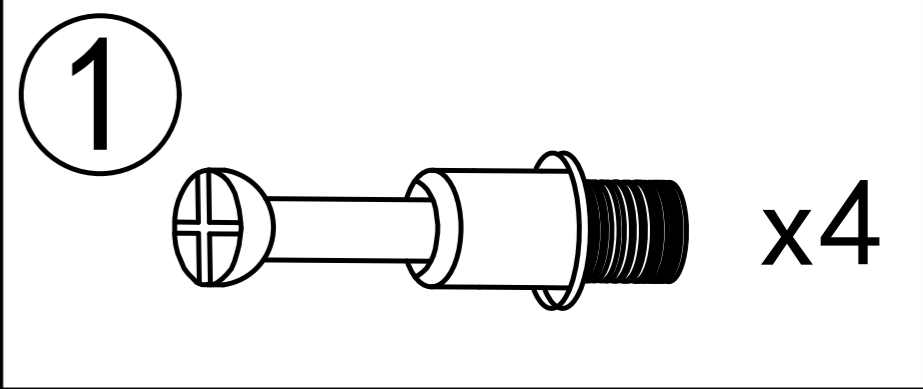
Step 16



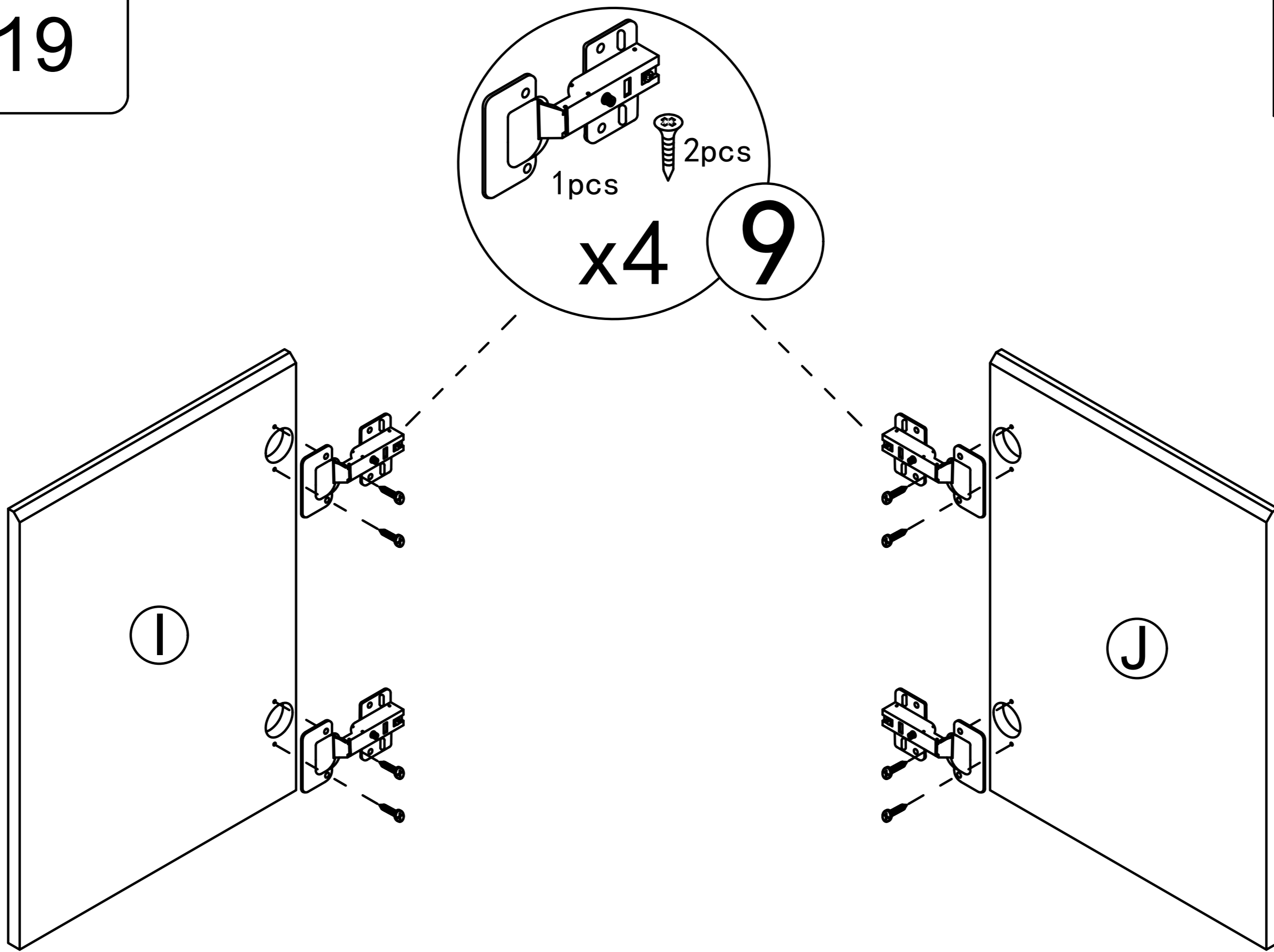
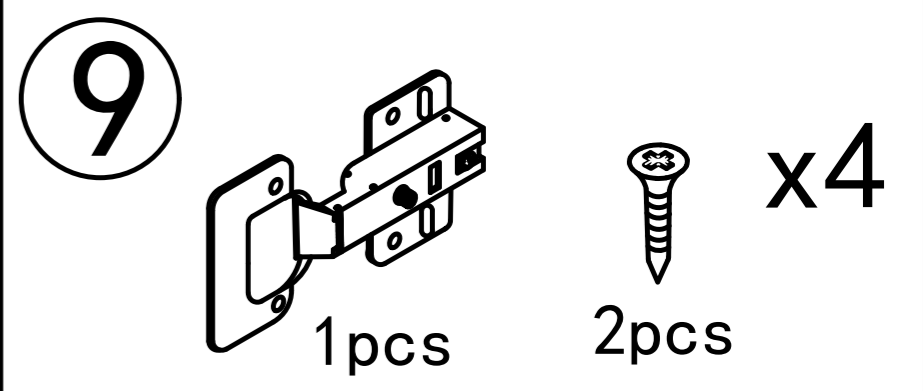
Step 17



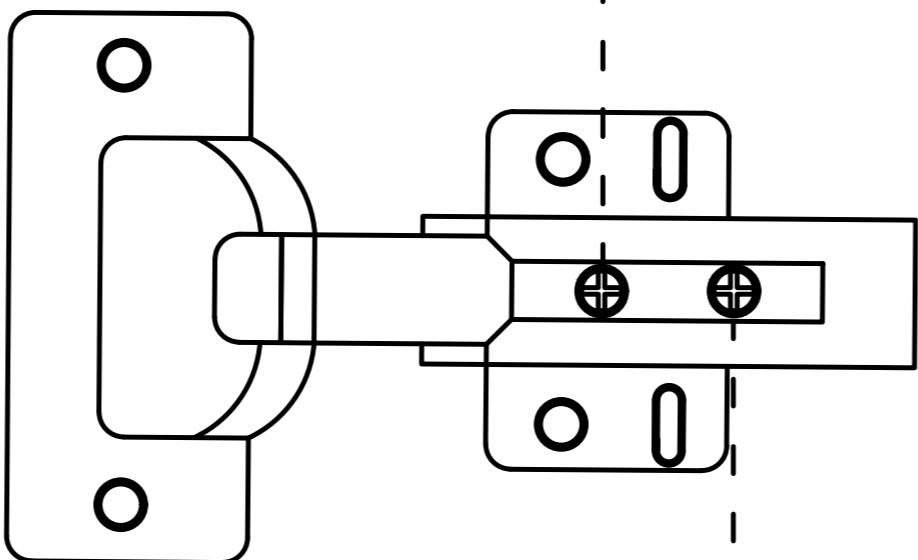
Step 18



Step 19

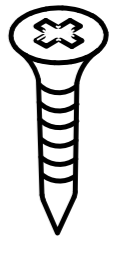


Turning this screw can effectively adjust the size of the door gap.

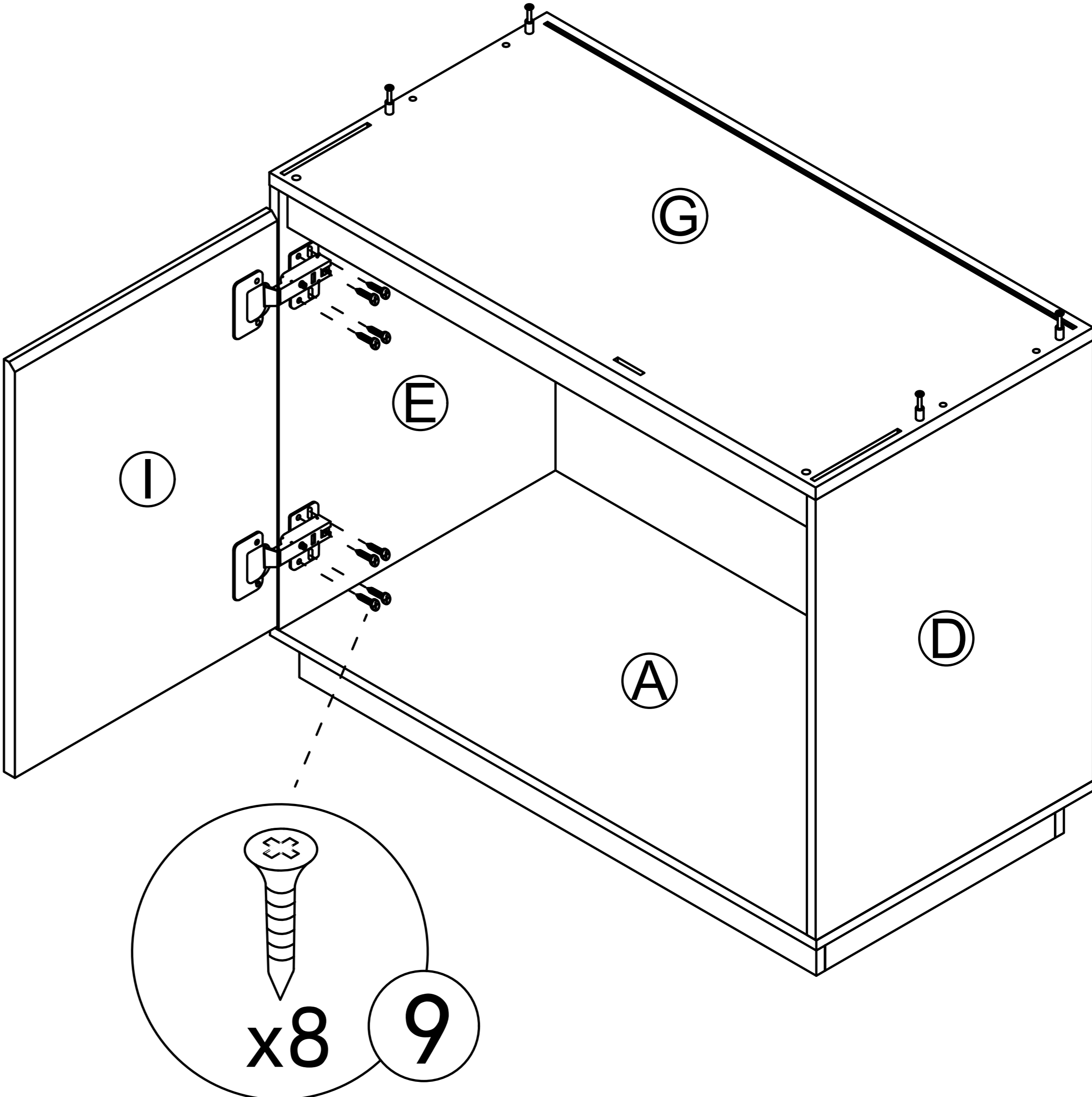
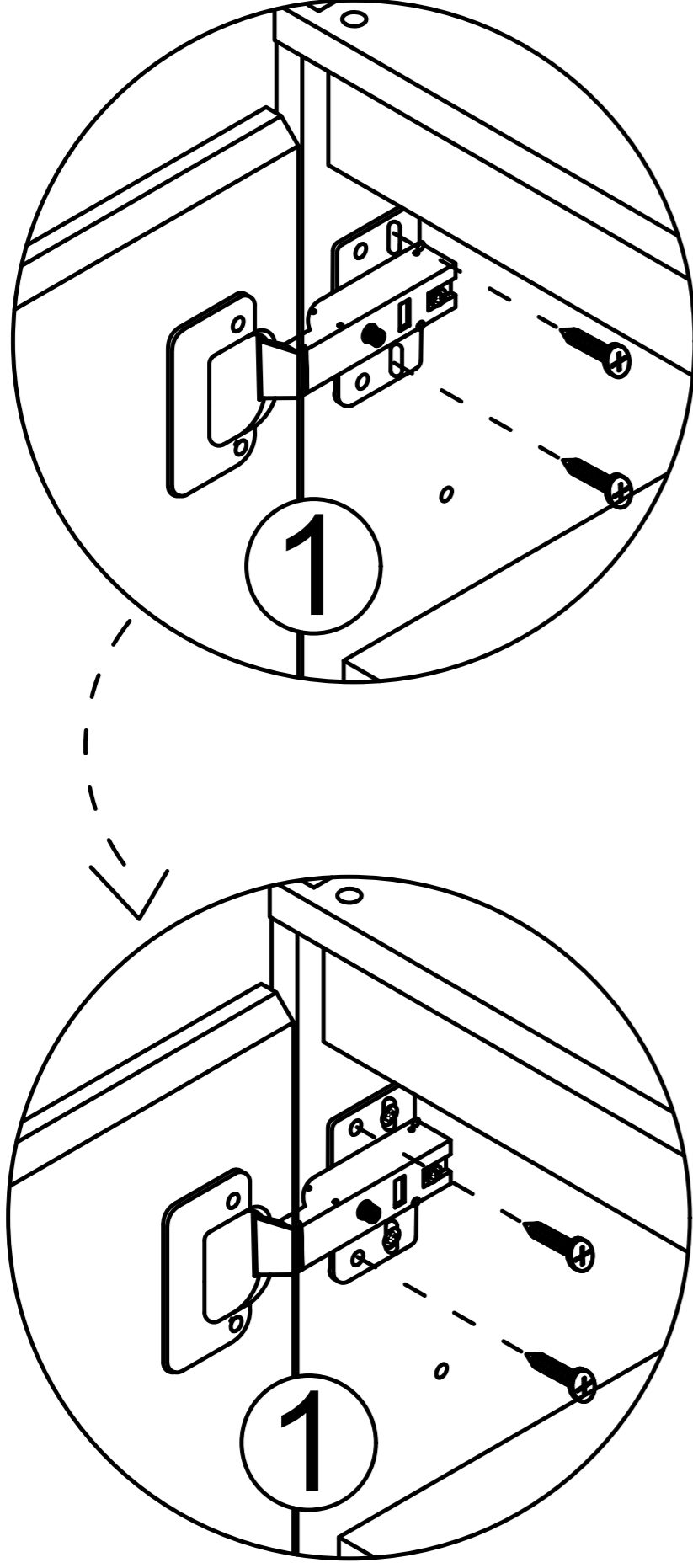


Turn this screw to adjust the doorpanel to be flat with the side panel.

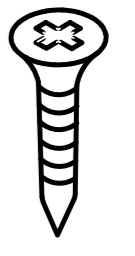
Step 20

9  x8

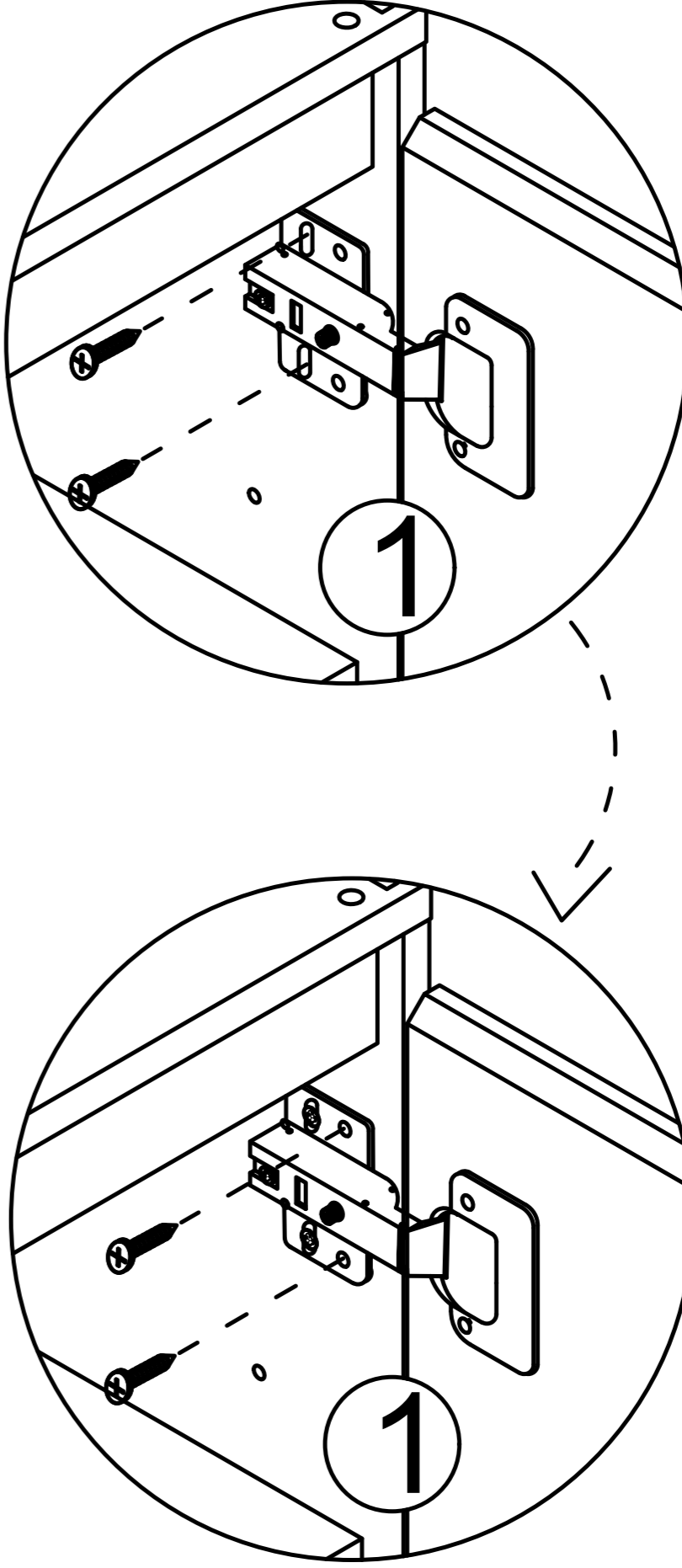
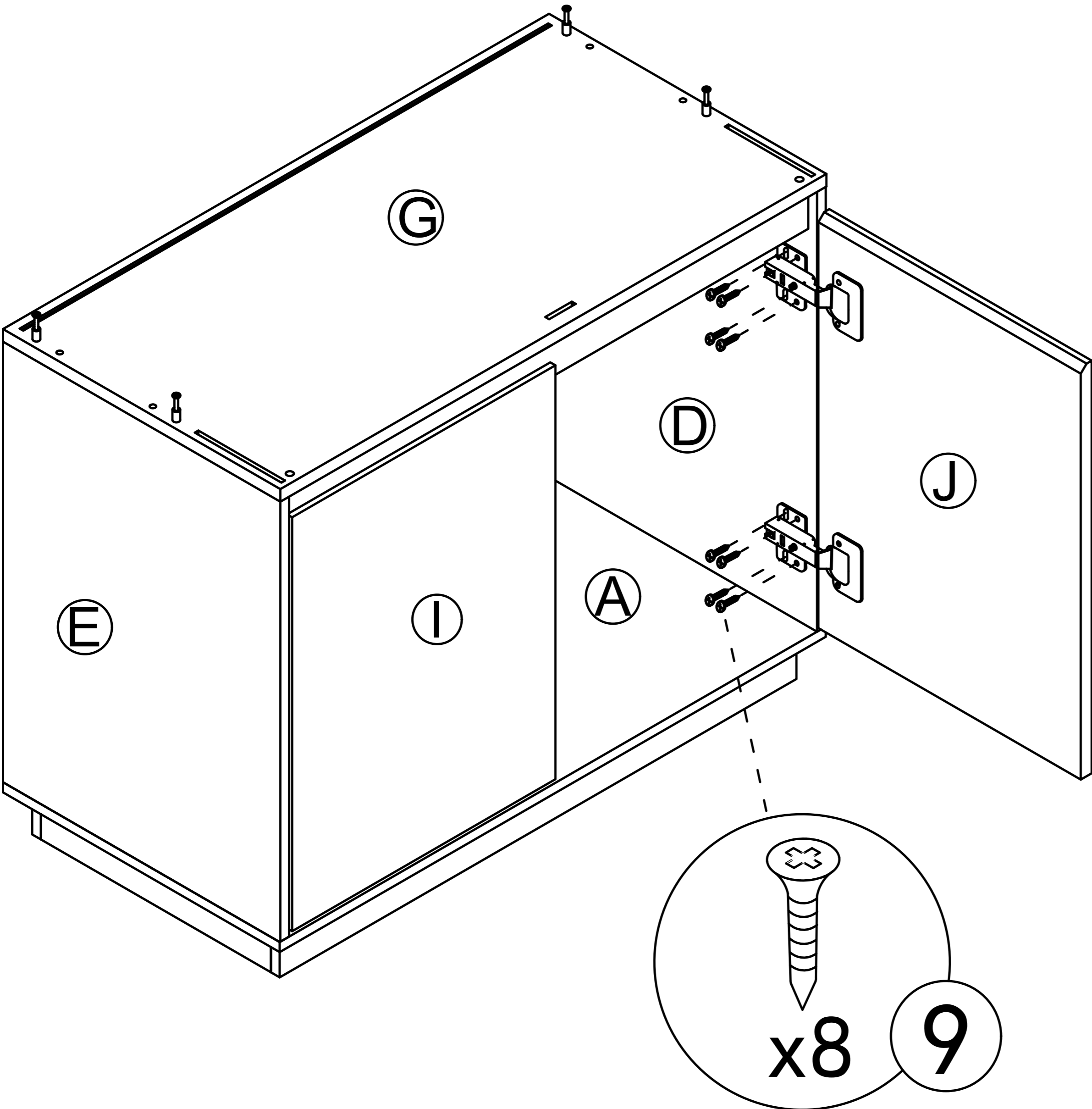
First lock the elliptical hole
then lock the fixed hole



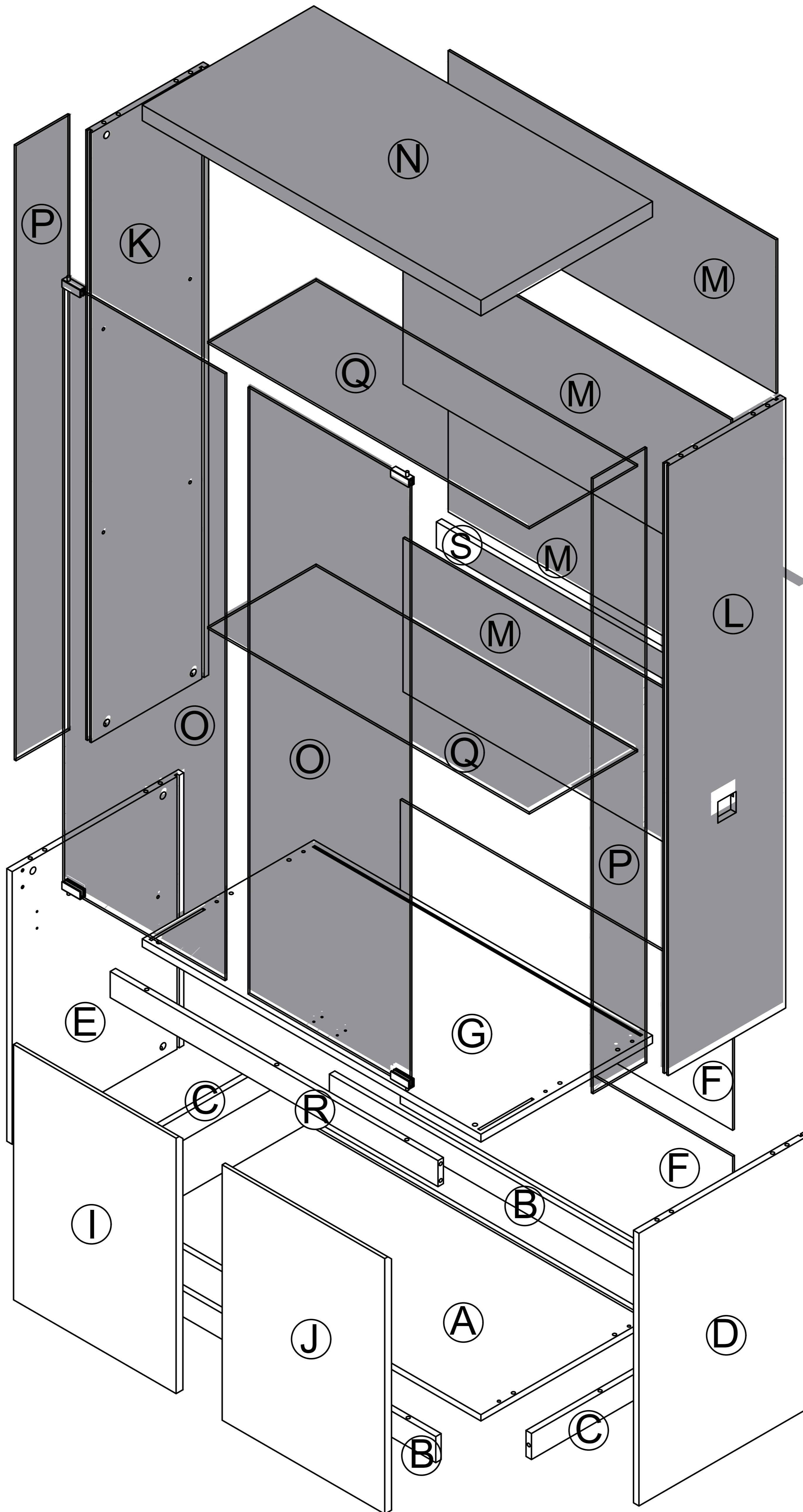
Step 21

9  x8

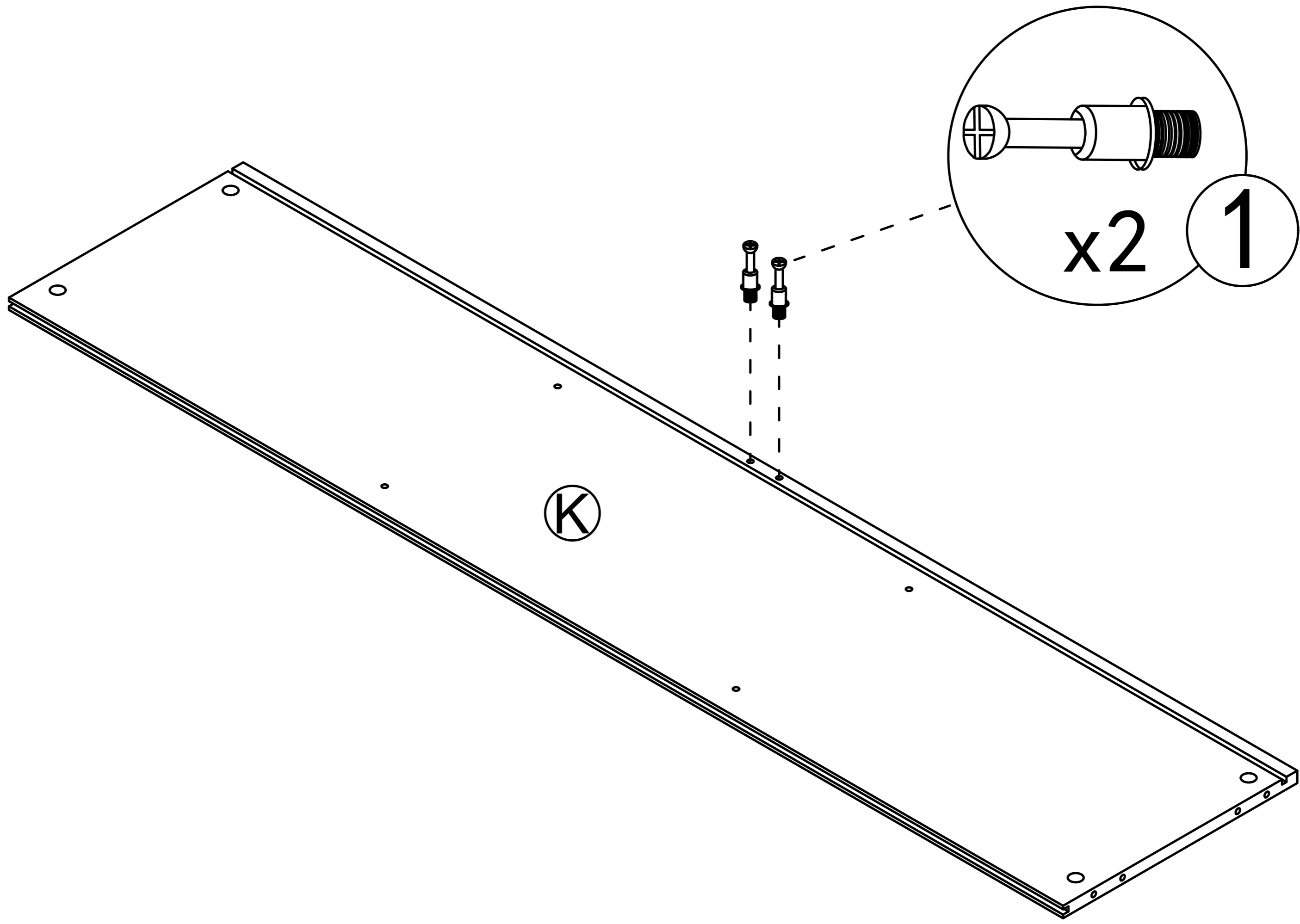
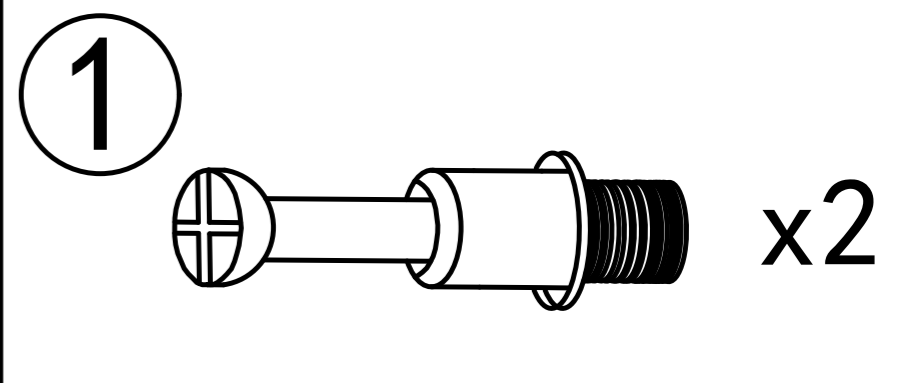
First lock the elliptical hole
then lock the fixed hole



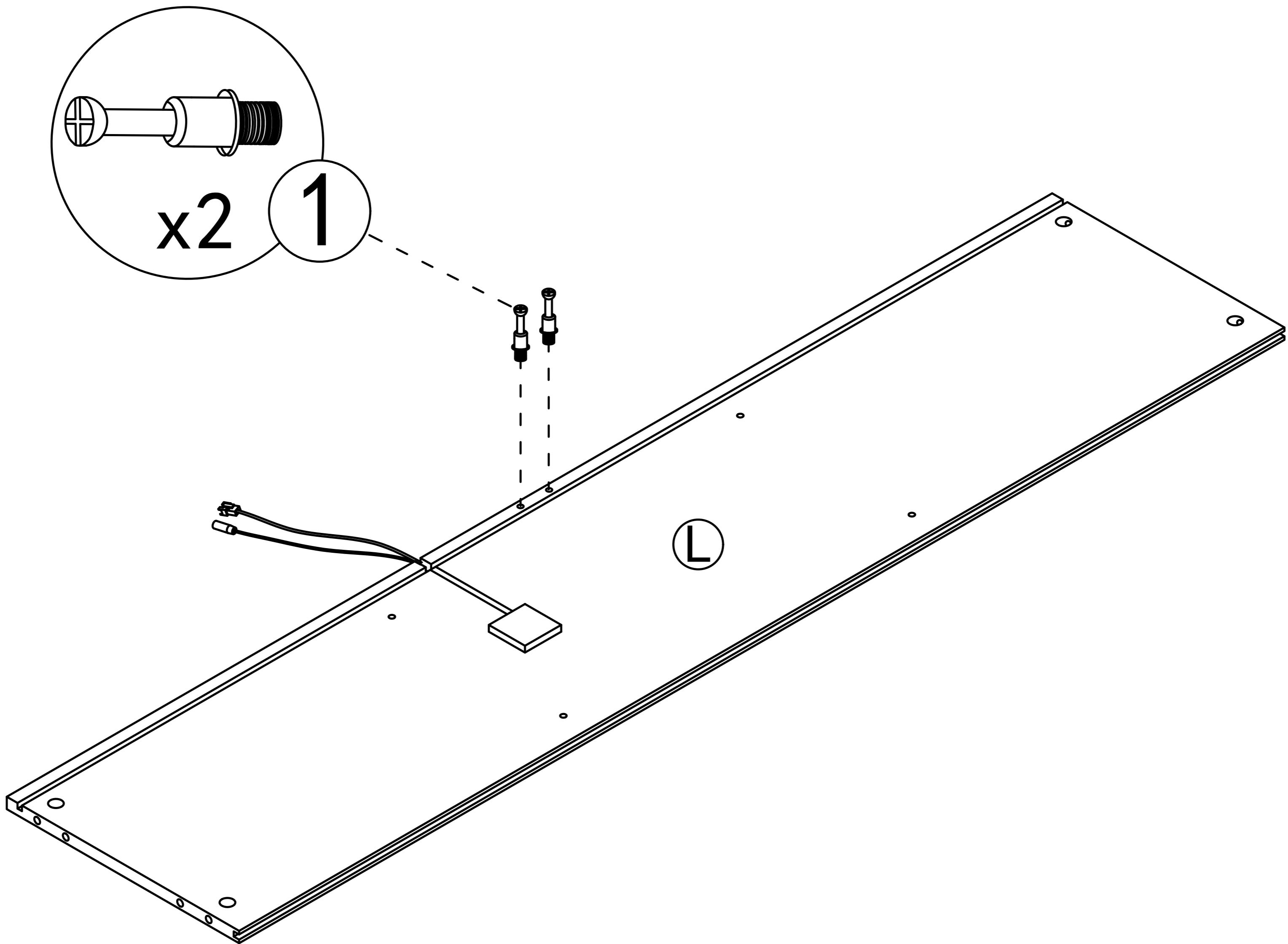
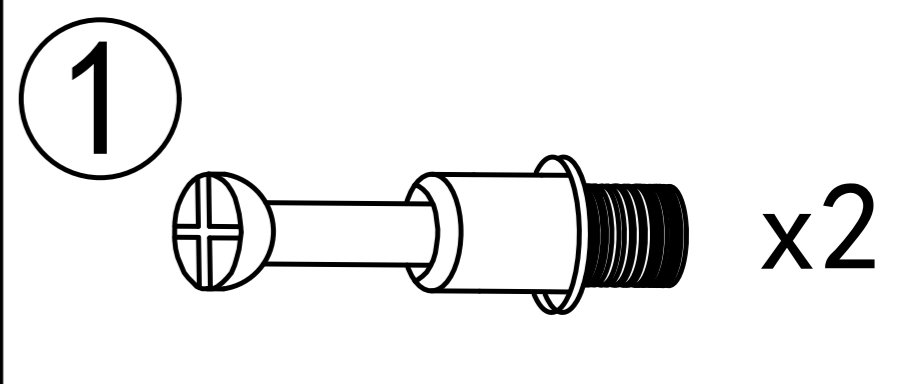
Product structure decomposition



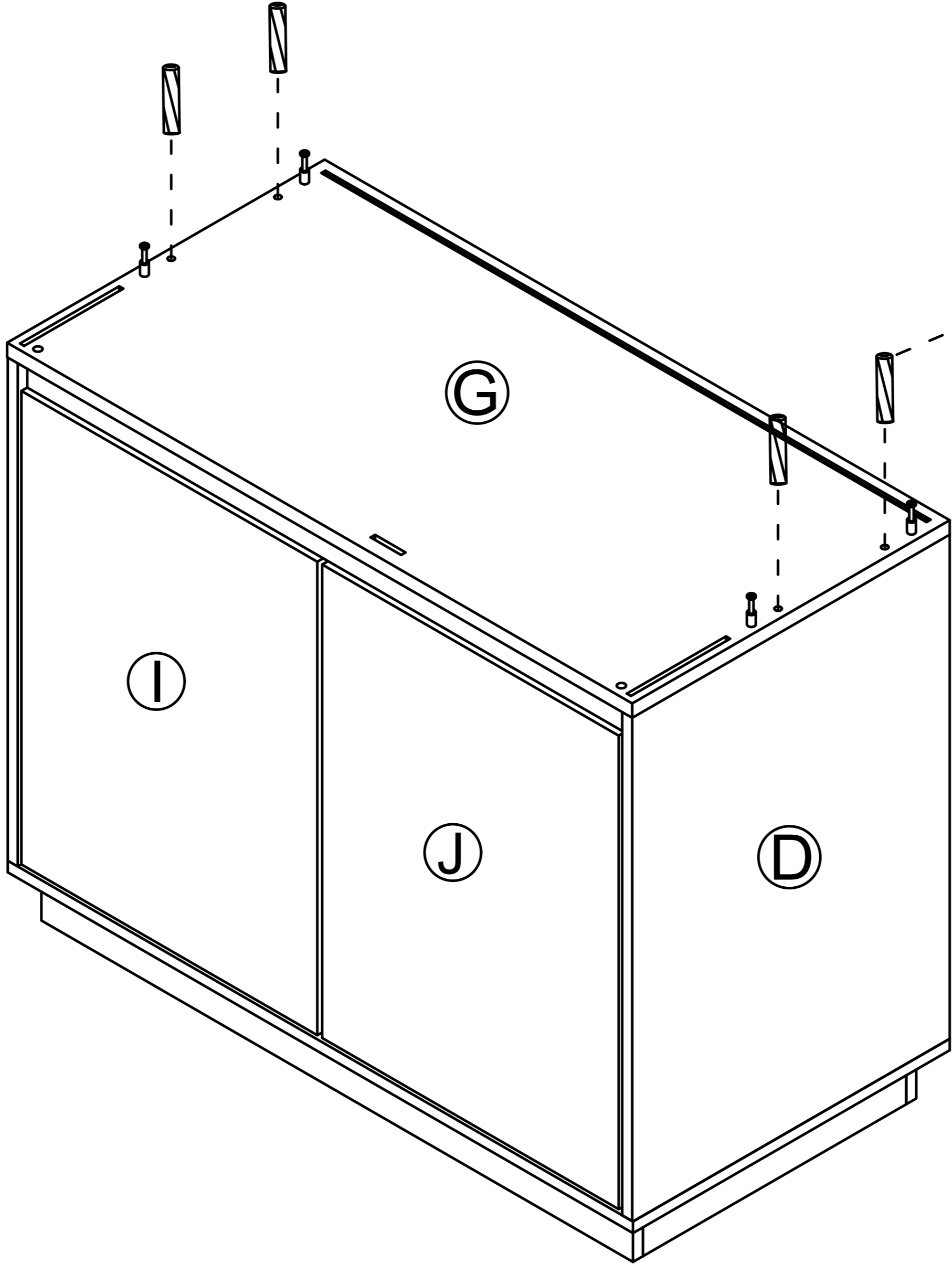
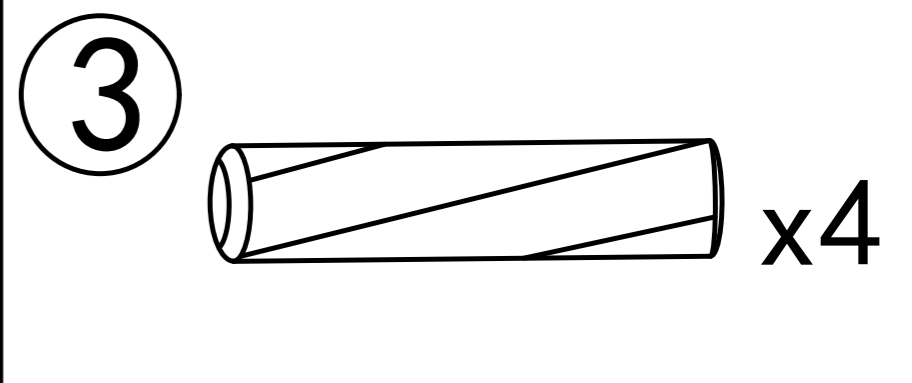
Step 22



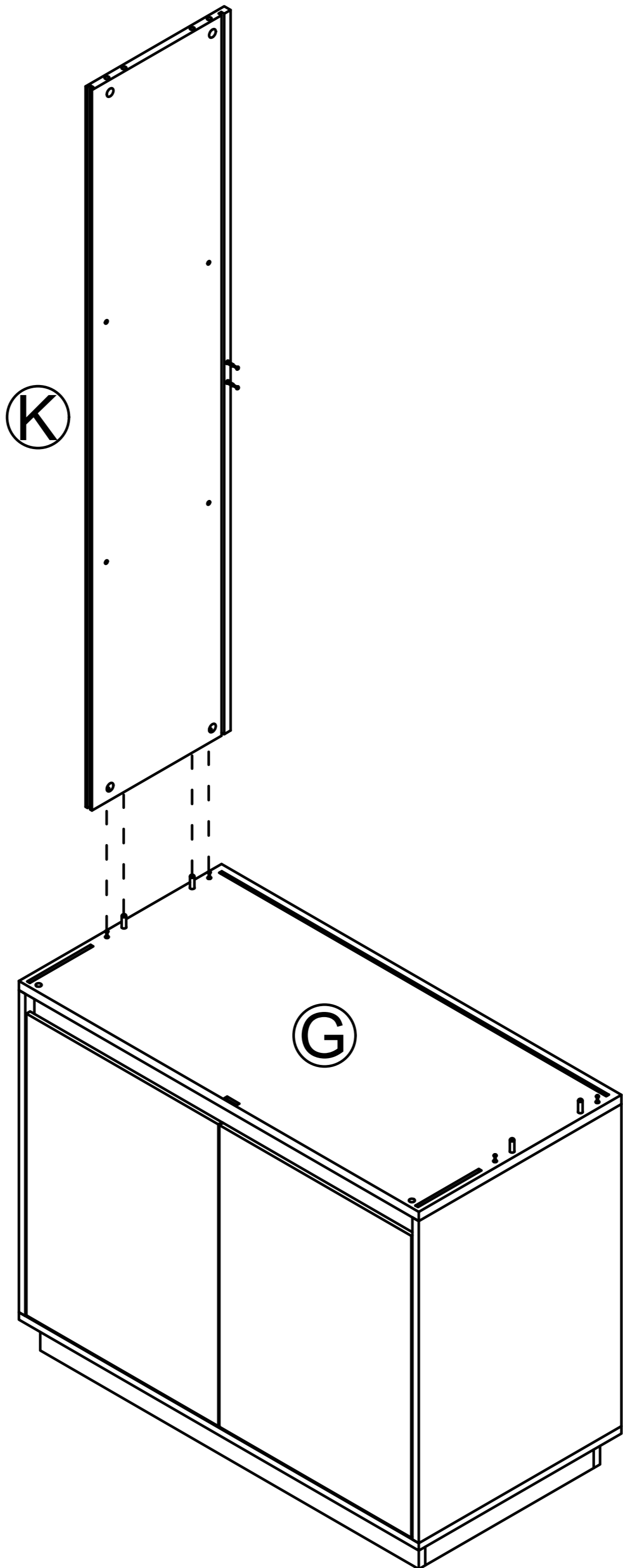
Step 23



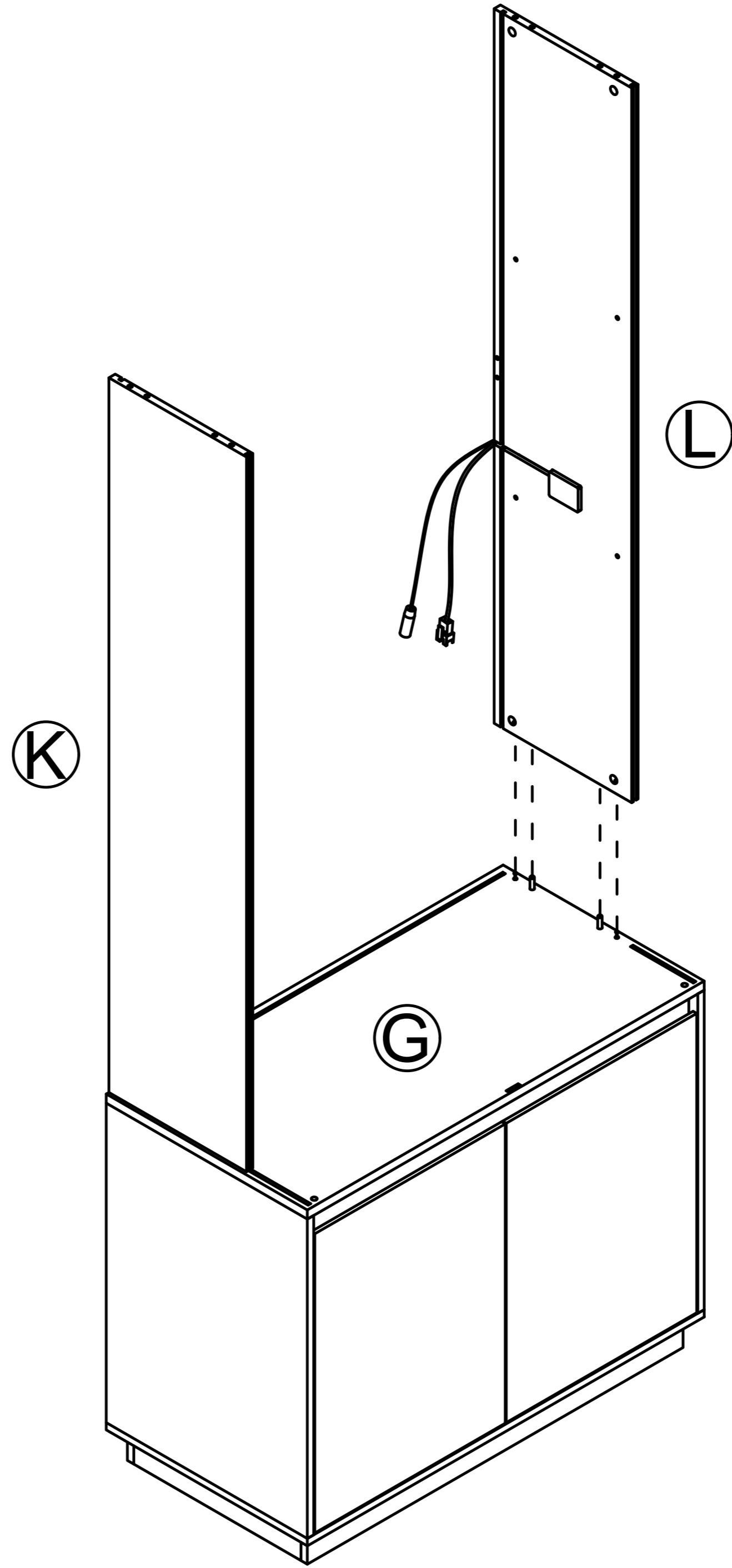
Step 24



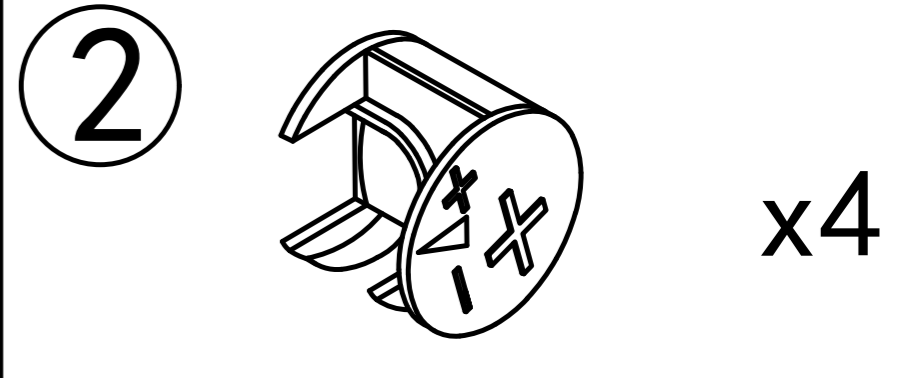
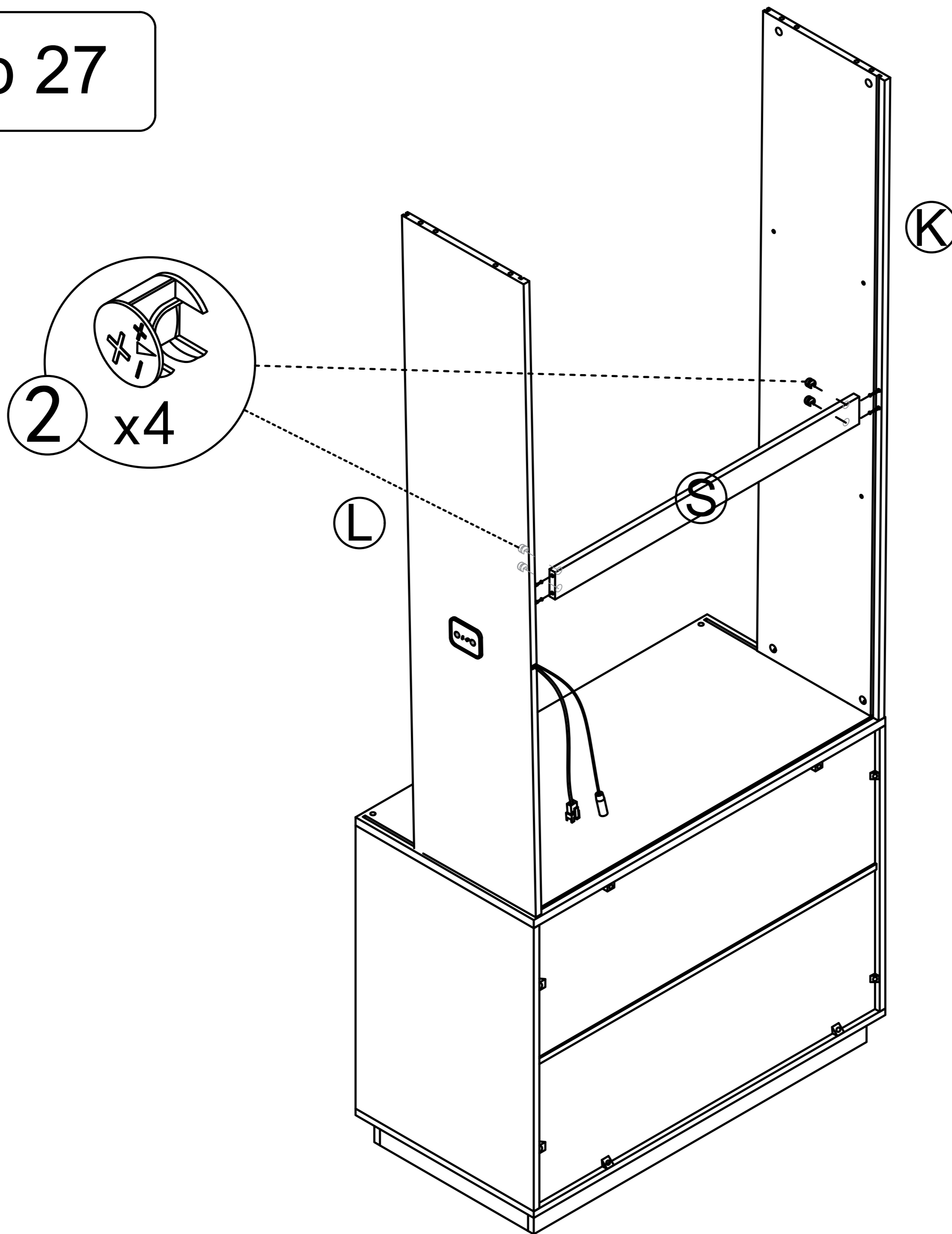
Step 25



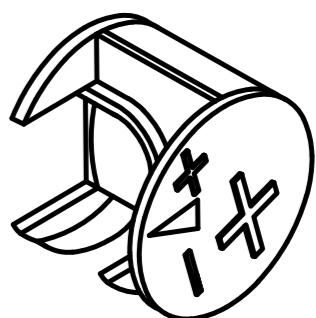
Step 26

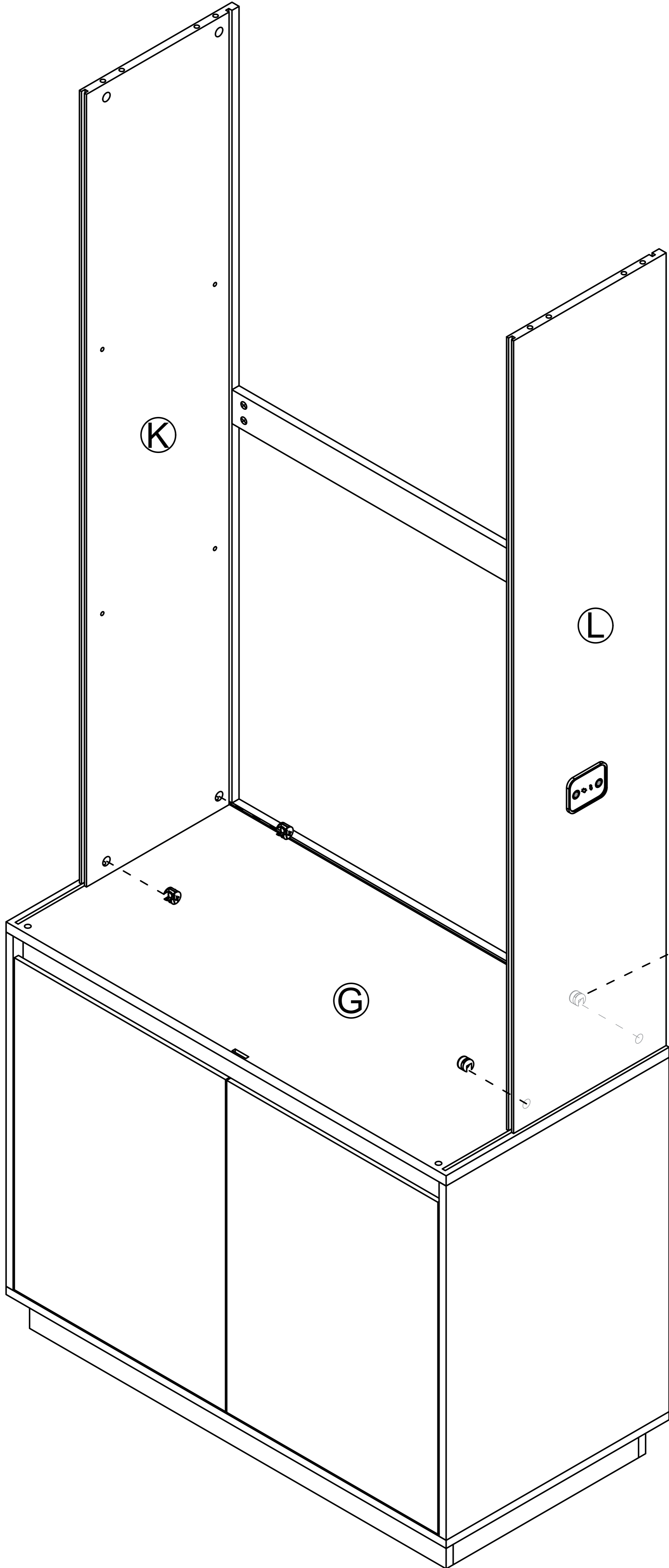


Step 27

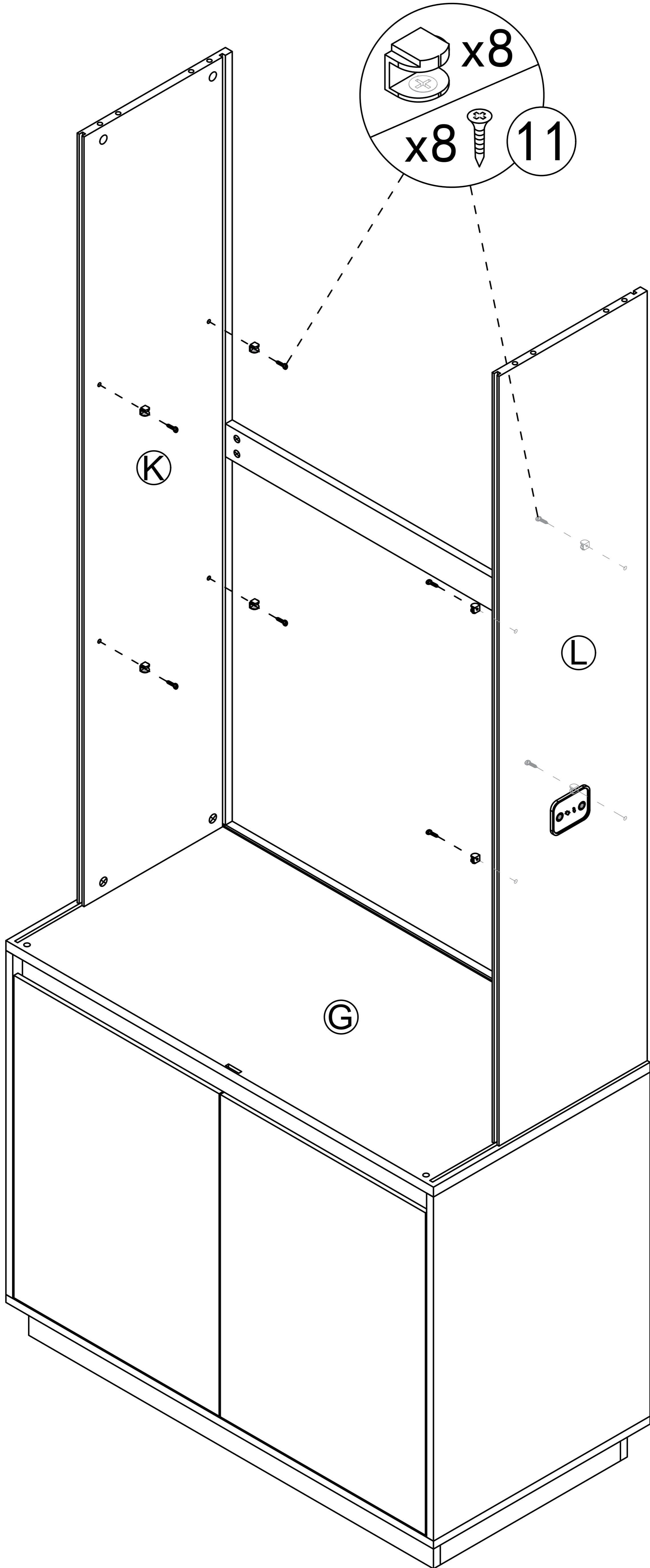
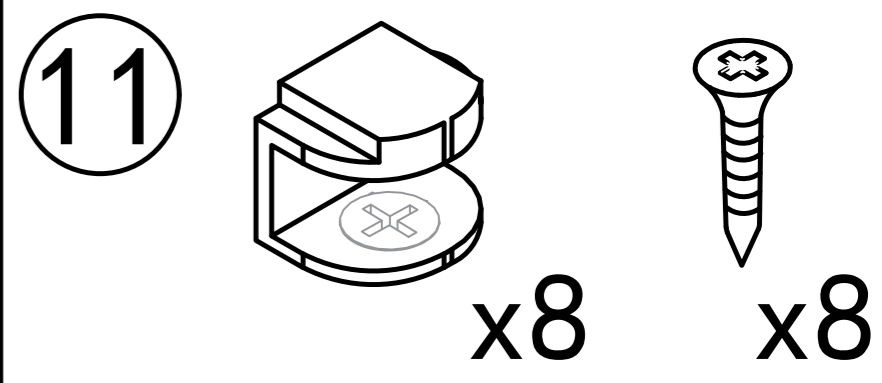


Step 28

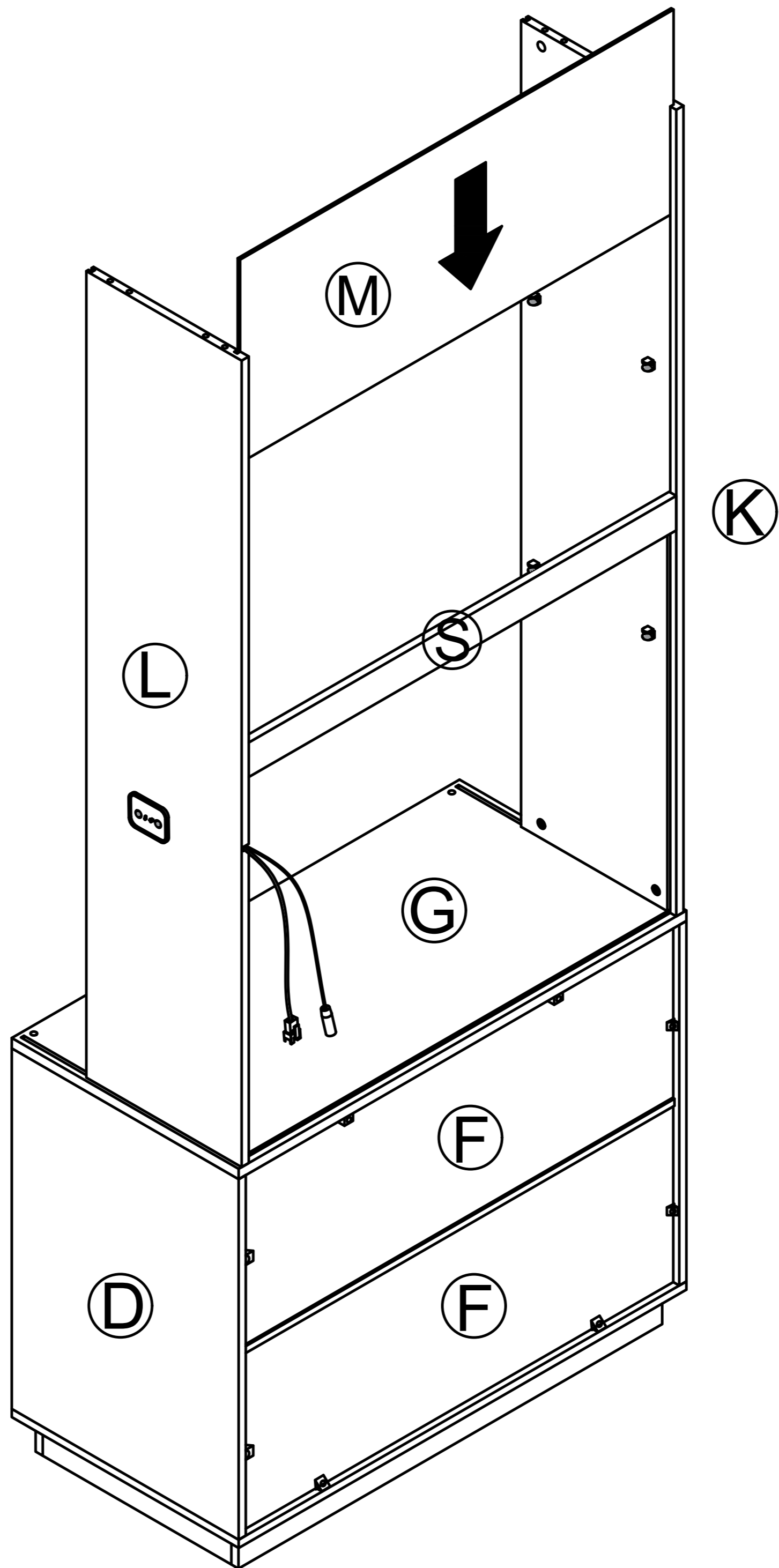
2  x4



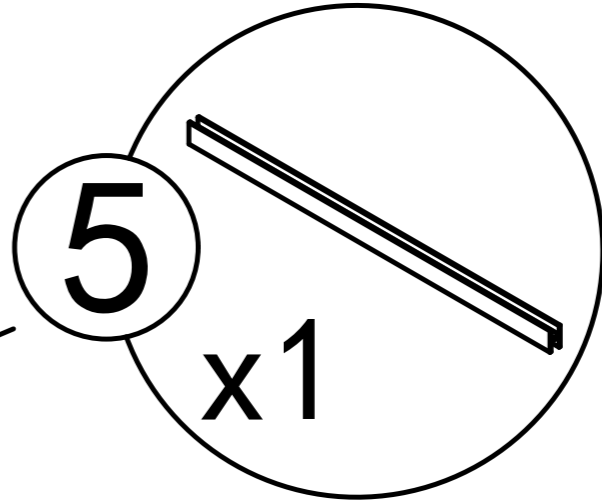
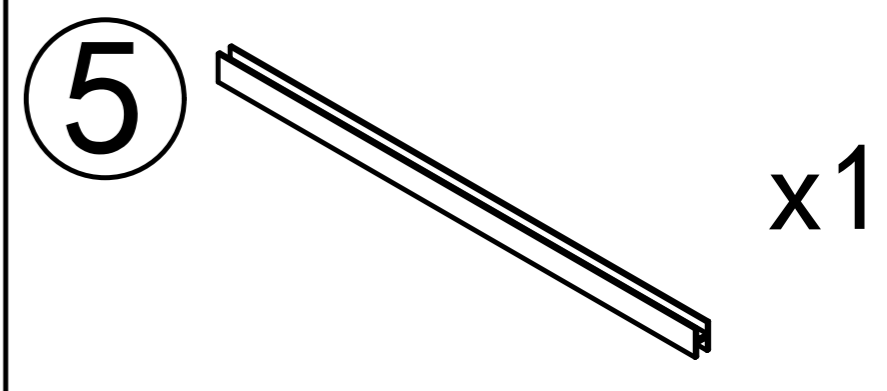
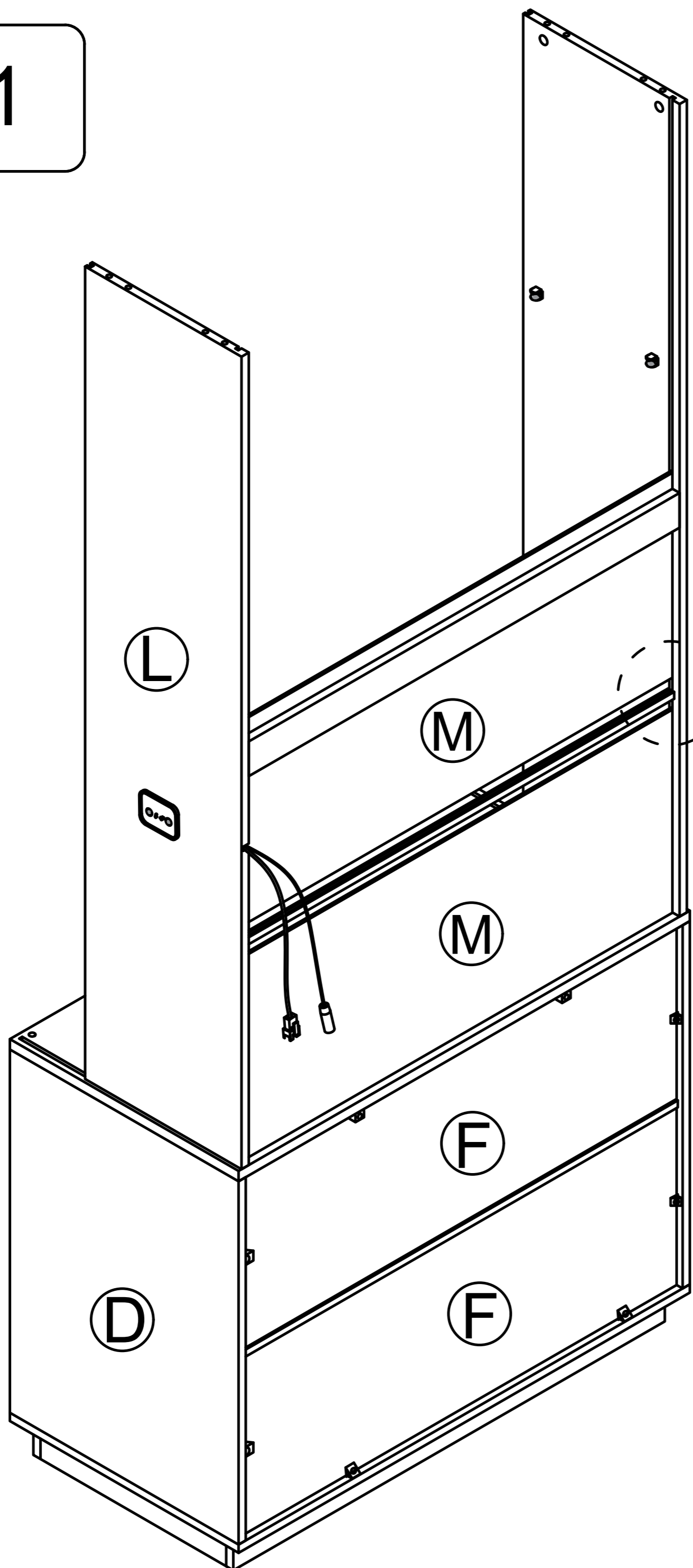
Step 29



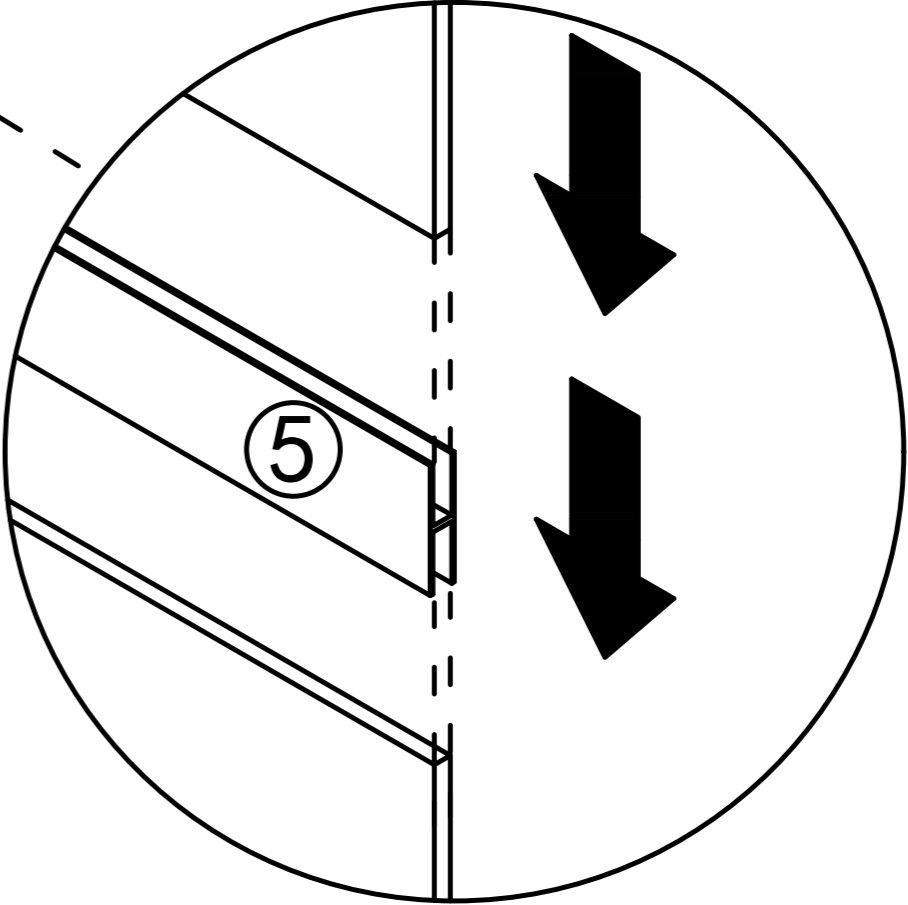
Step 30



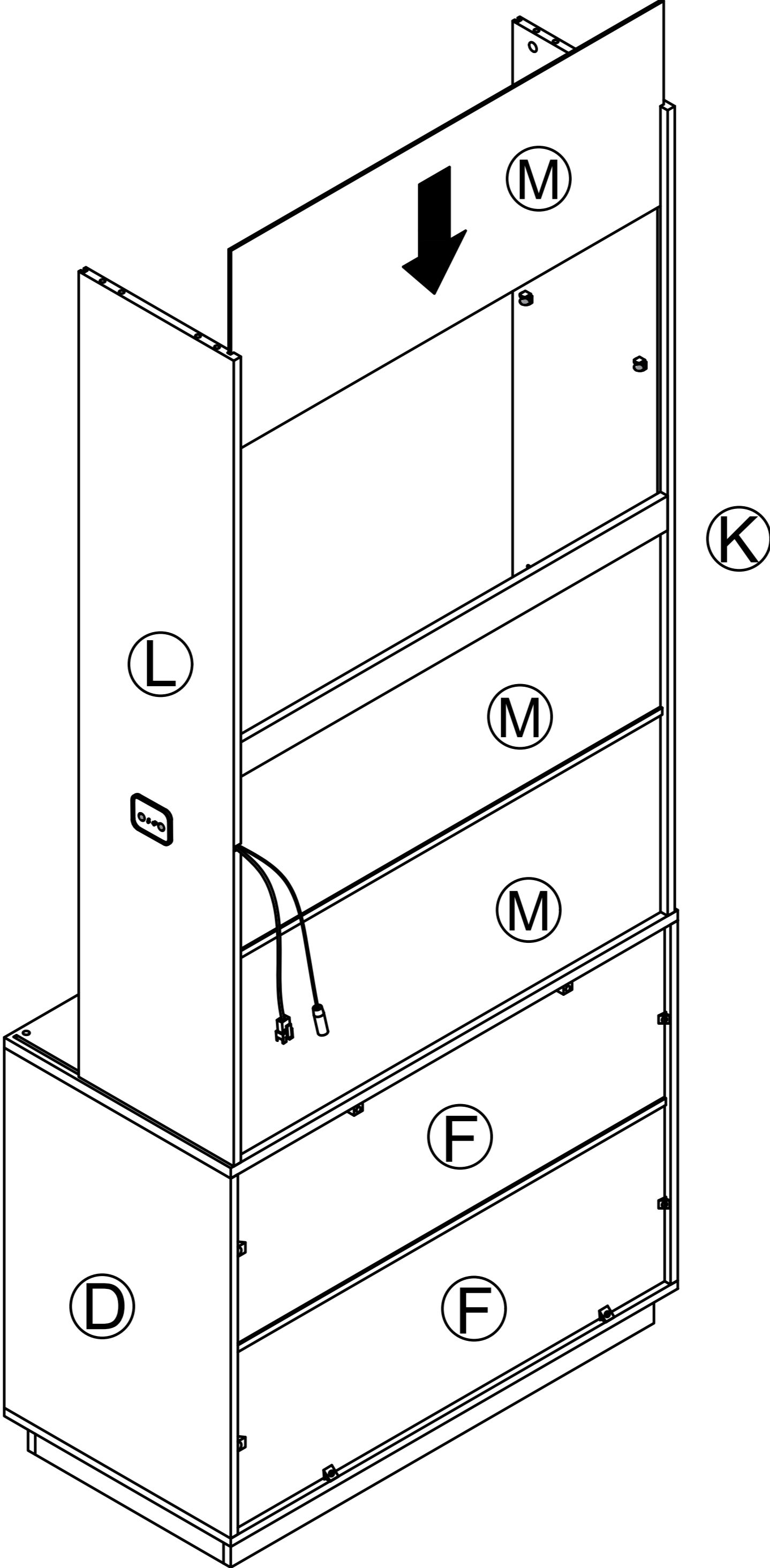
Step 31



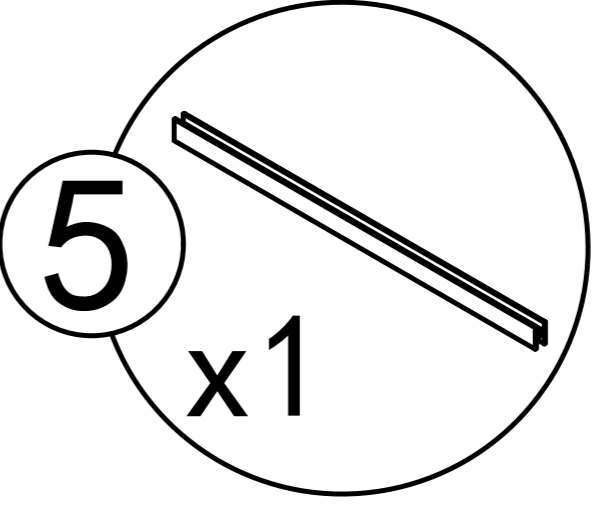
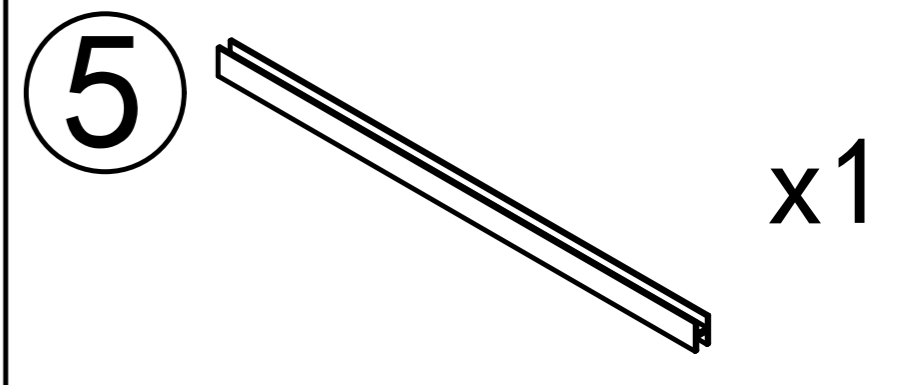
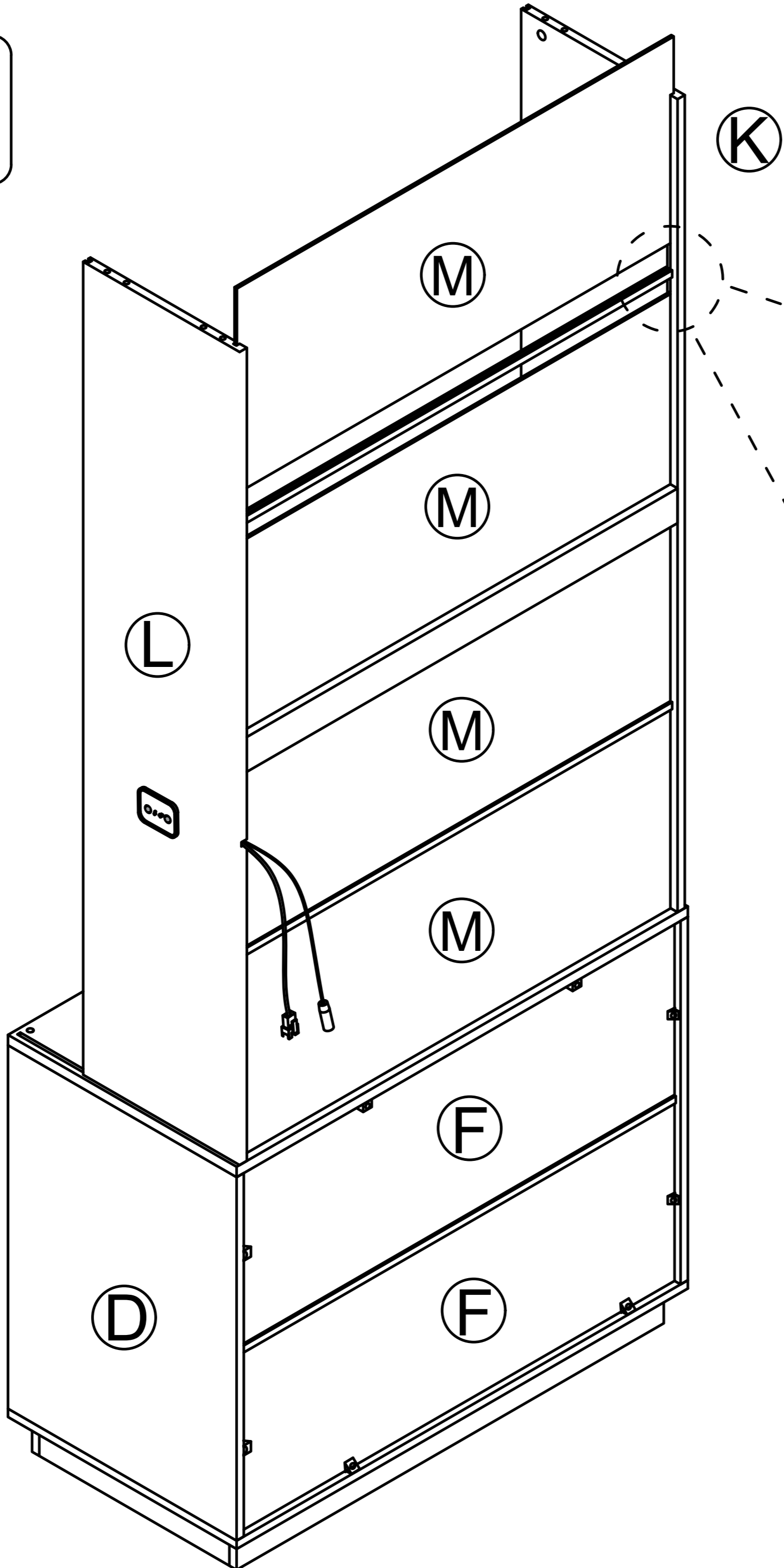
Place both the upper and lower backboards into the slot



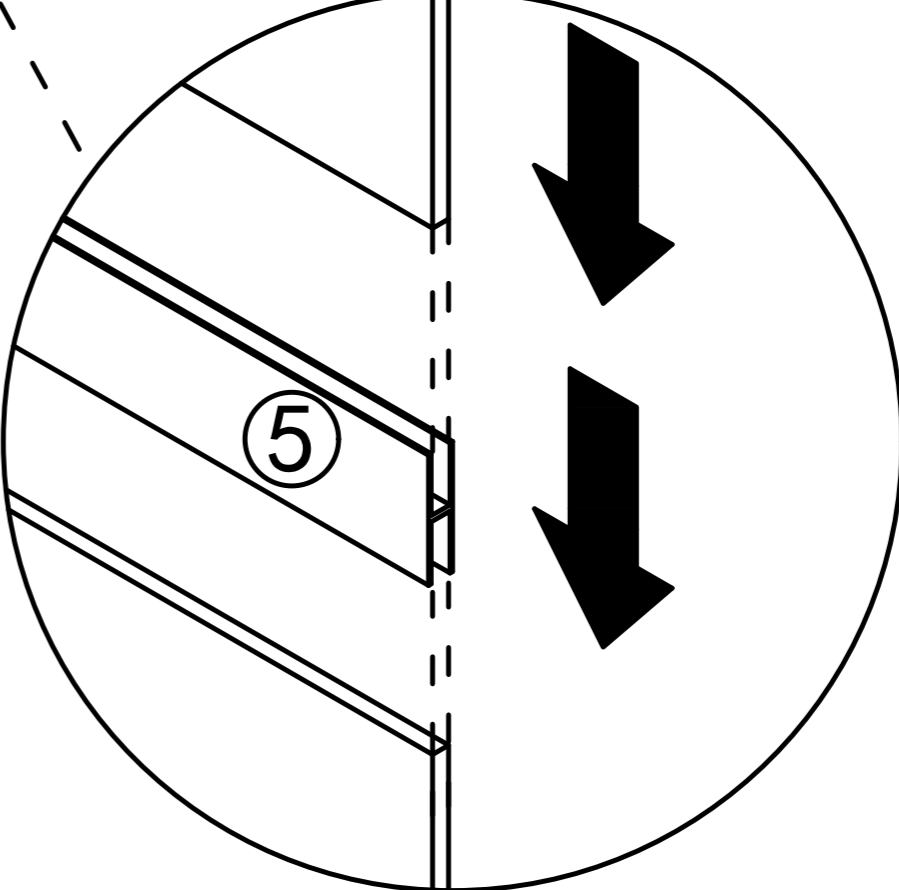
Step 32



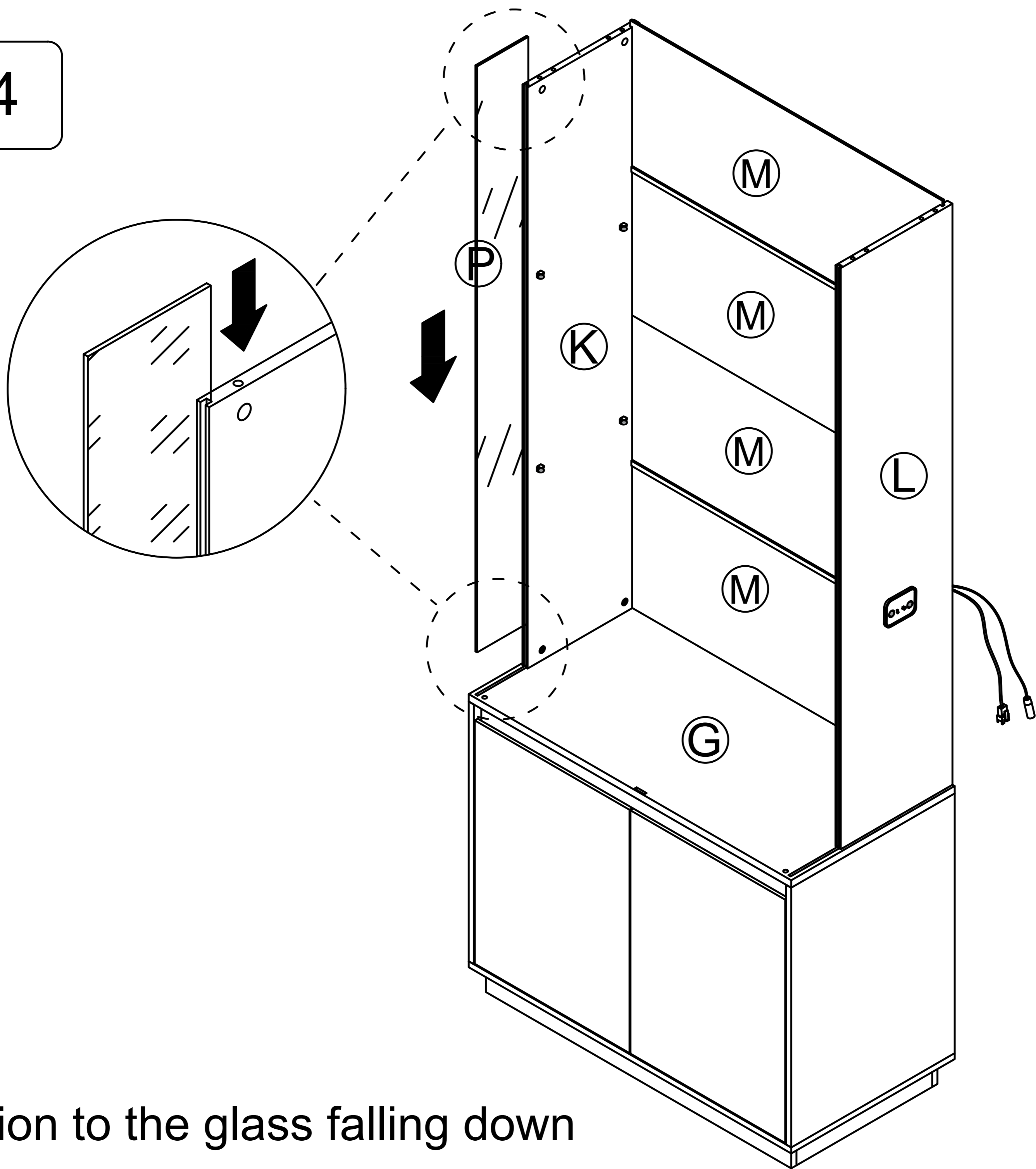
Step 33



Place both the upper and lower backboards into the slot

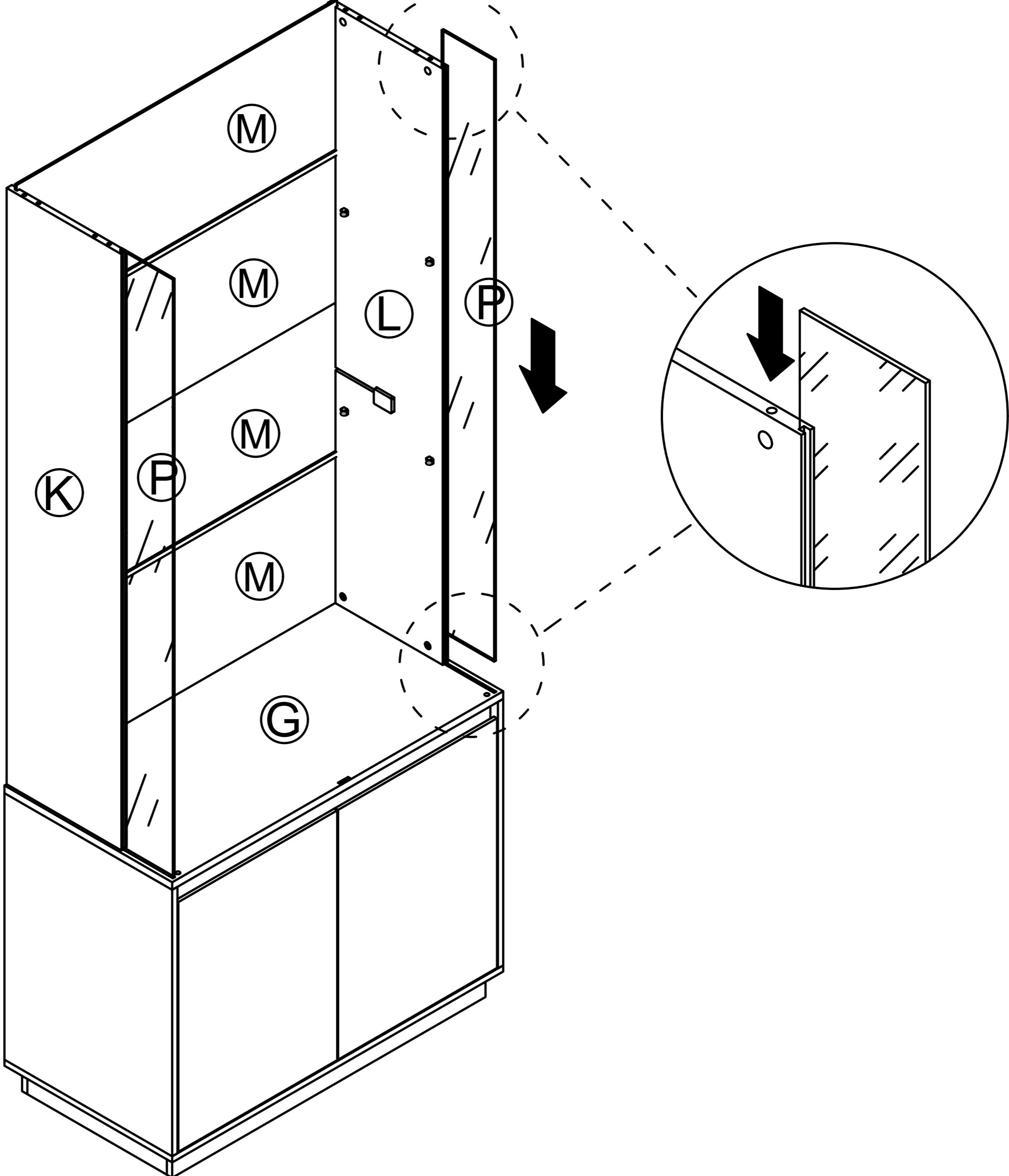


Step 34



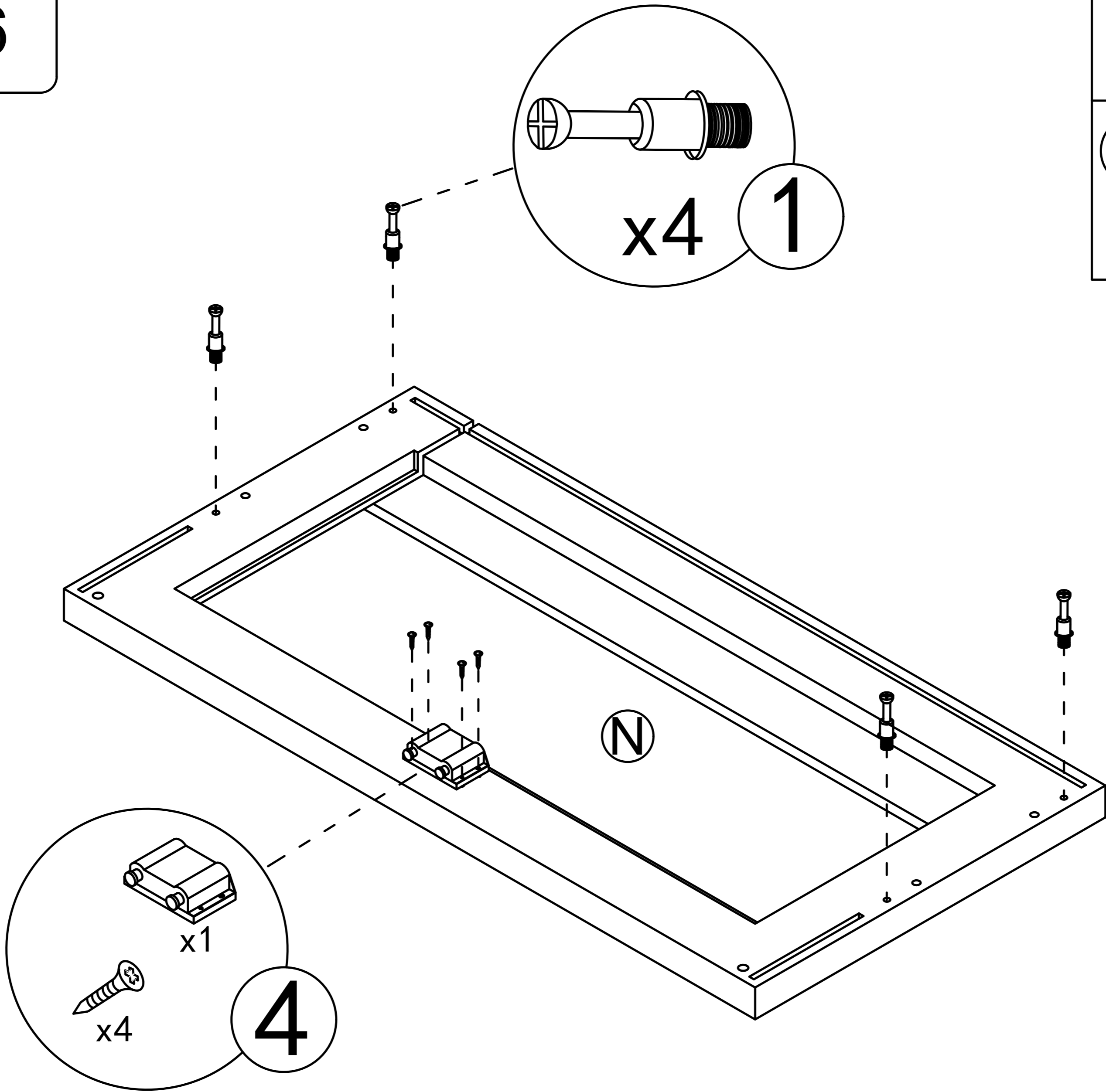
Tip: Pay attention to the glass falling down

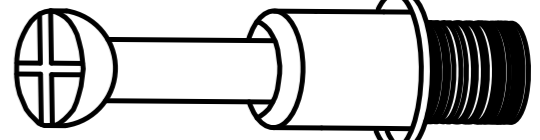

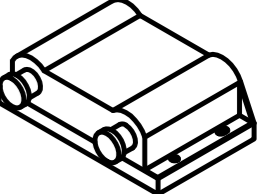
Step 35



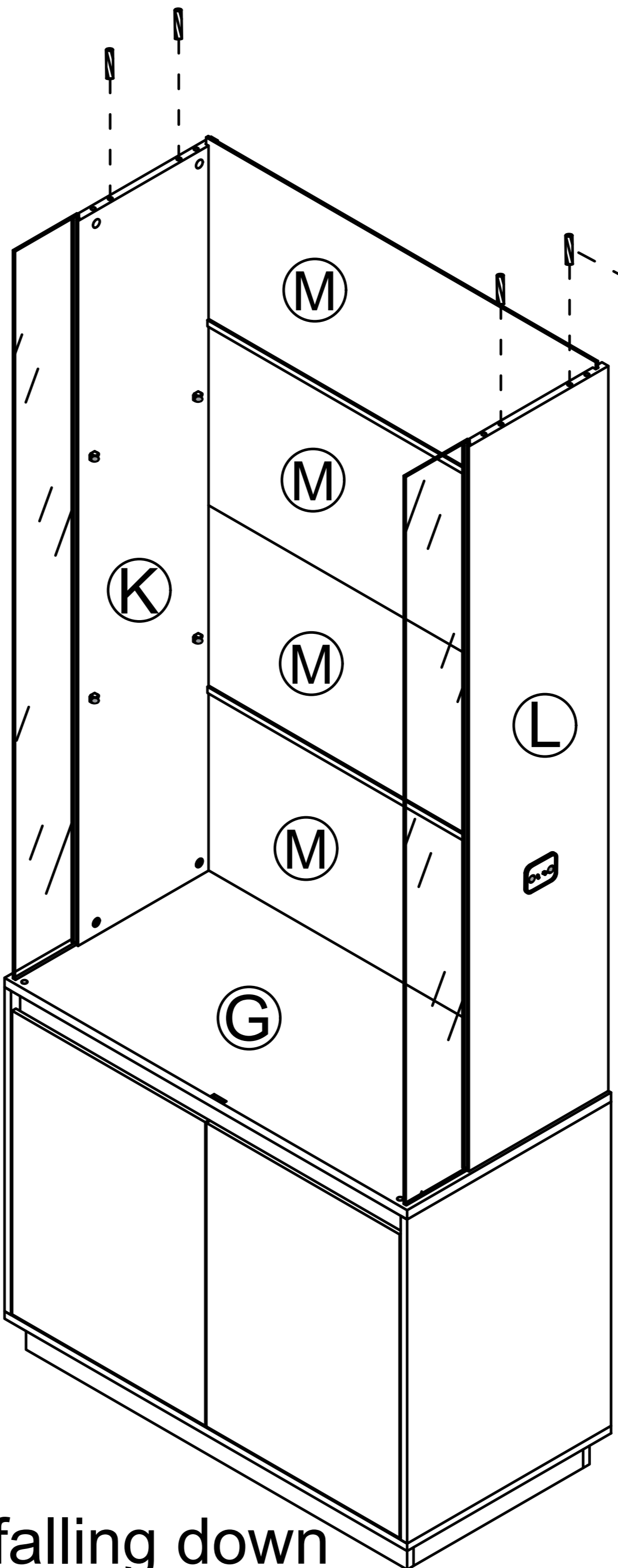
Tip: Pay attention to the glass falling down


Step 36



- ①  x4
- ④  x4  x1

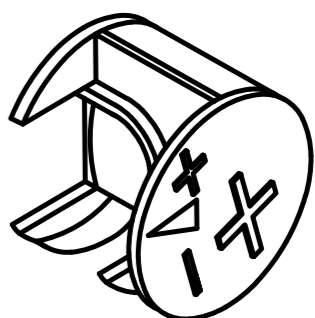
Step 37

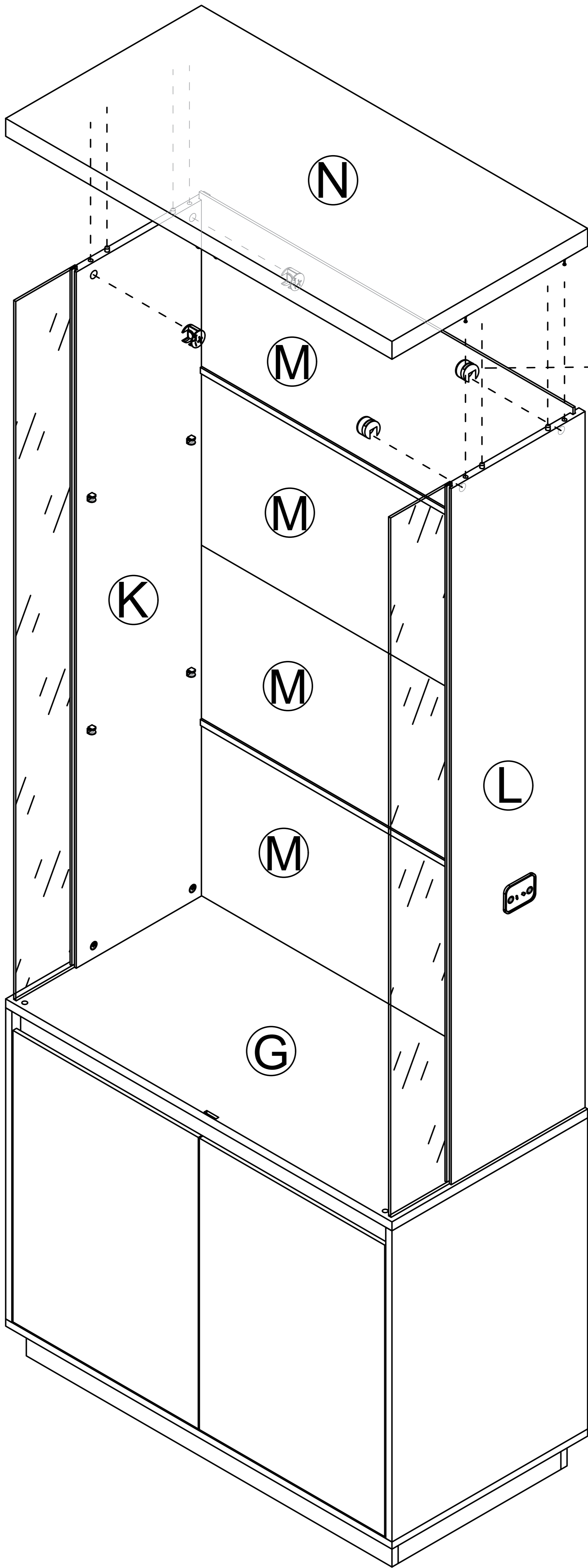


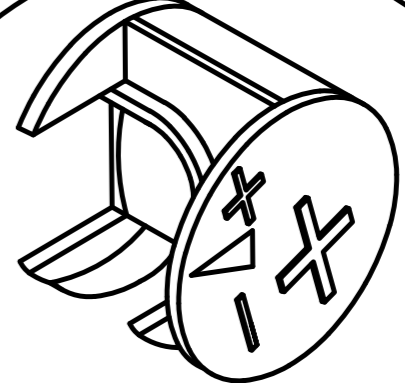
- ③  x4

Tip: Pay attention to the glass falling down

Step 38

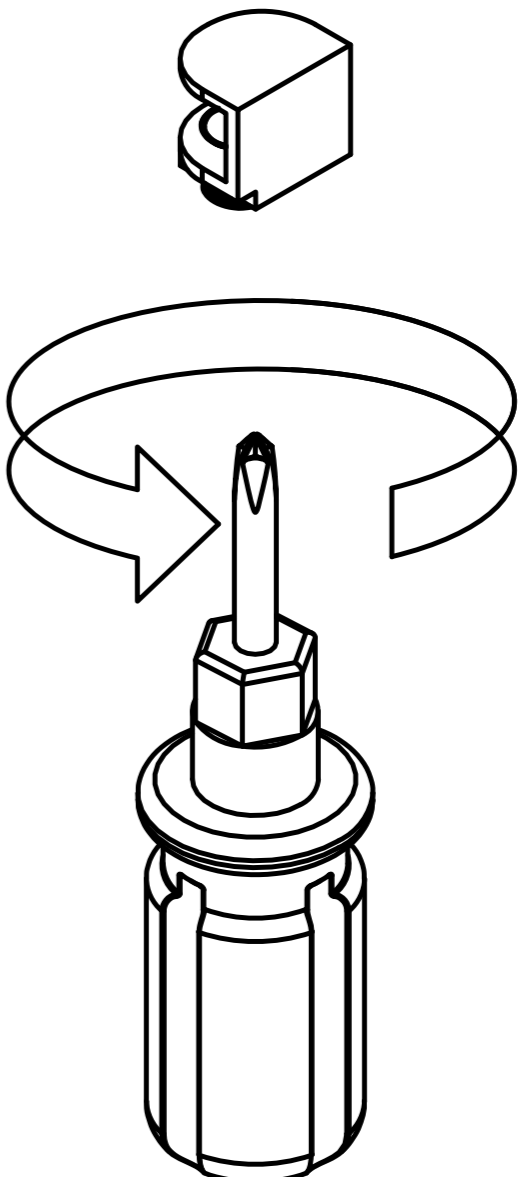
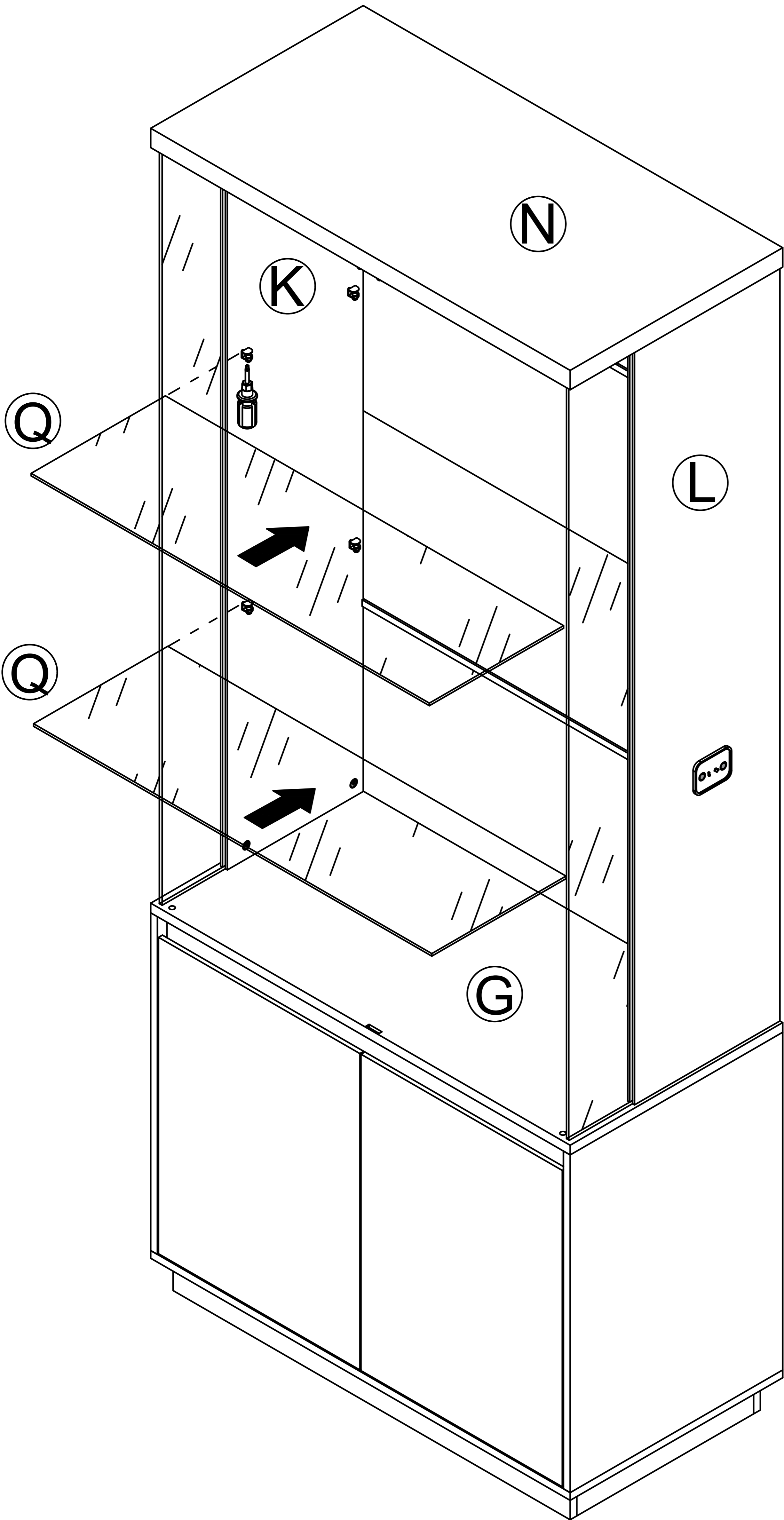
2  x4



 x4 2

Tip: Pay attention to the glass falling down

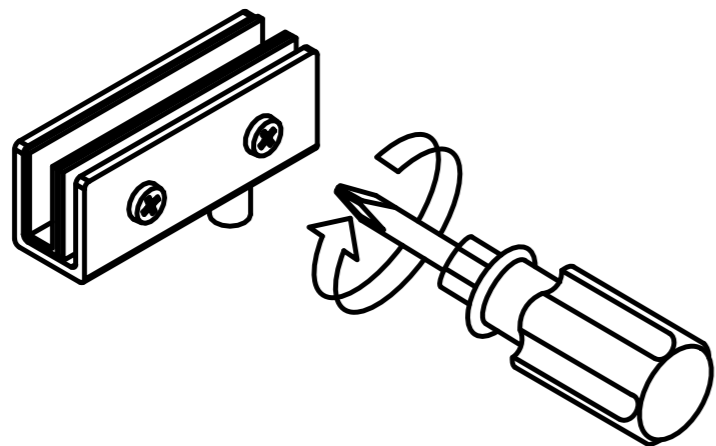
Step 39



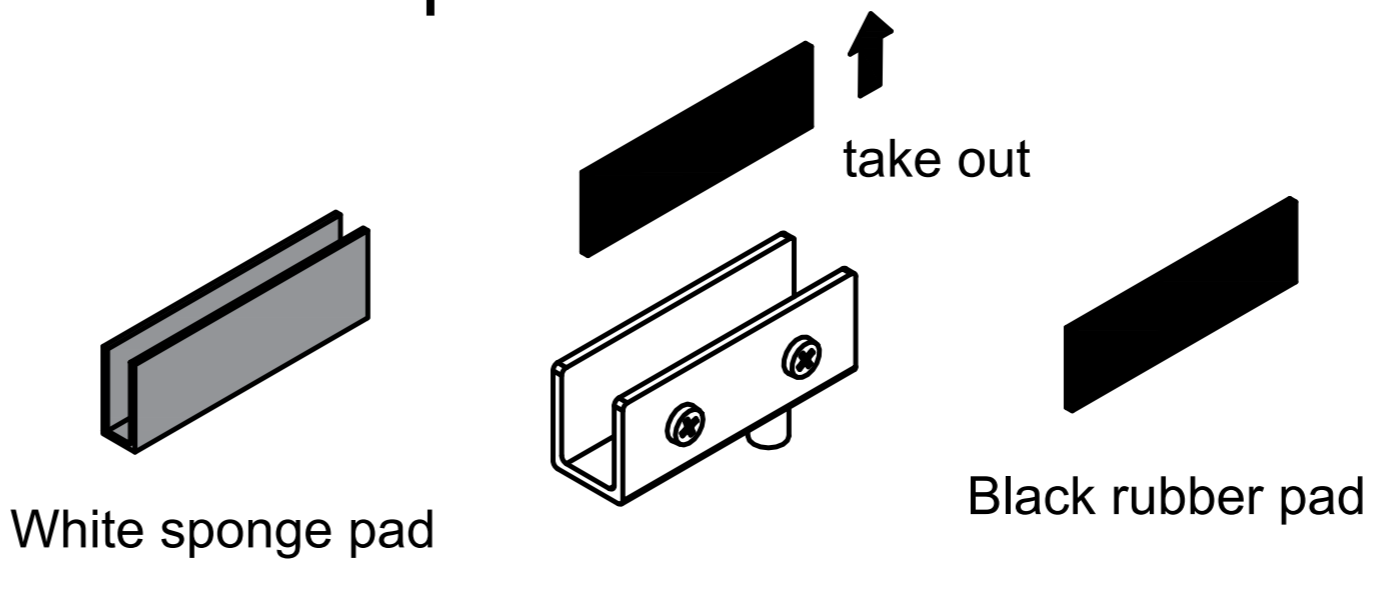
Tip: Adjusting the screw to rotate to the left can fix the glass

Step 40

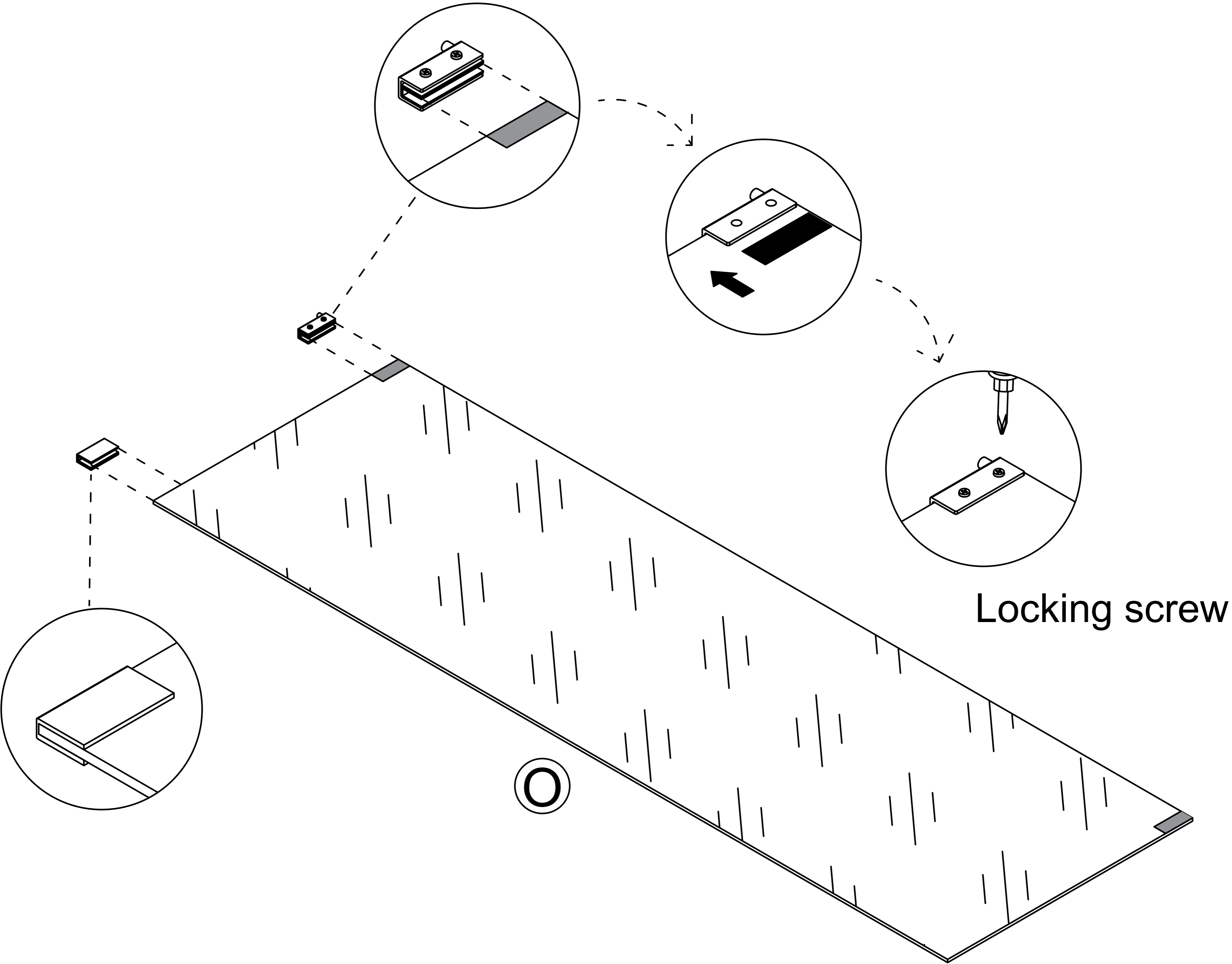
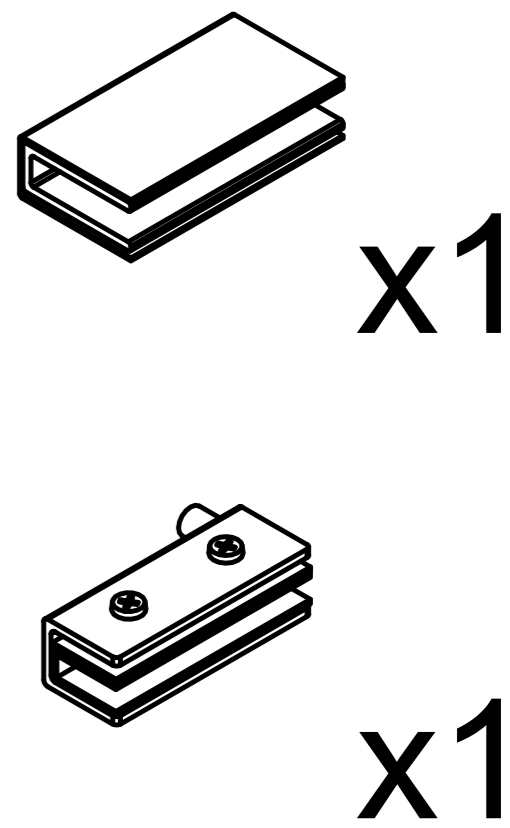
First, completely unscrew the screws on the parts



Then take out the black rubberpad from the inside of the part, and the white sponge remains unchanged inside the part.



4

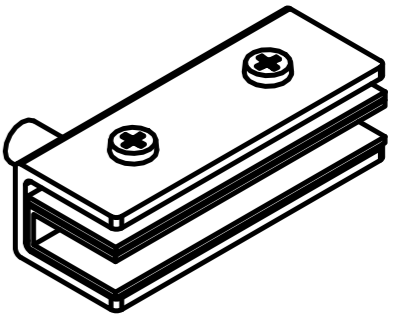
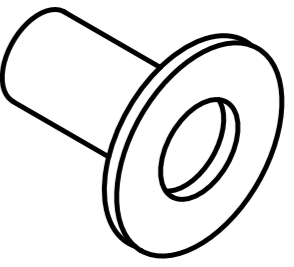


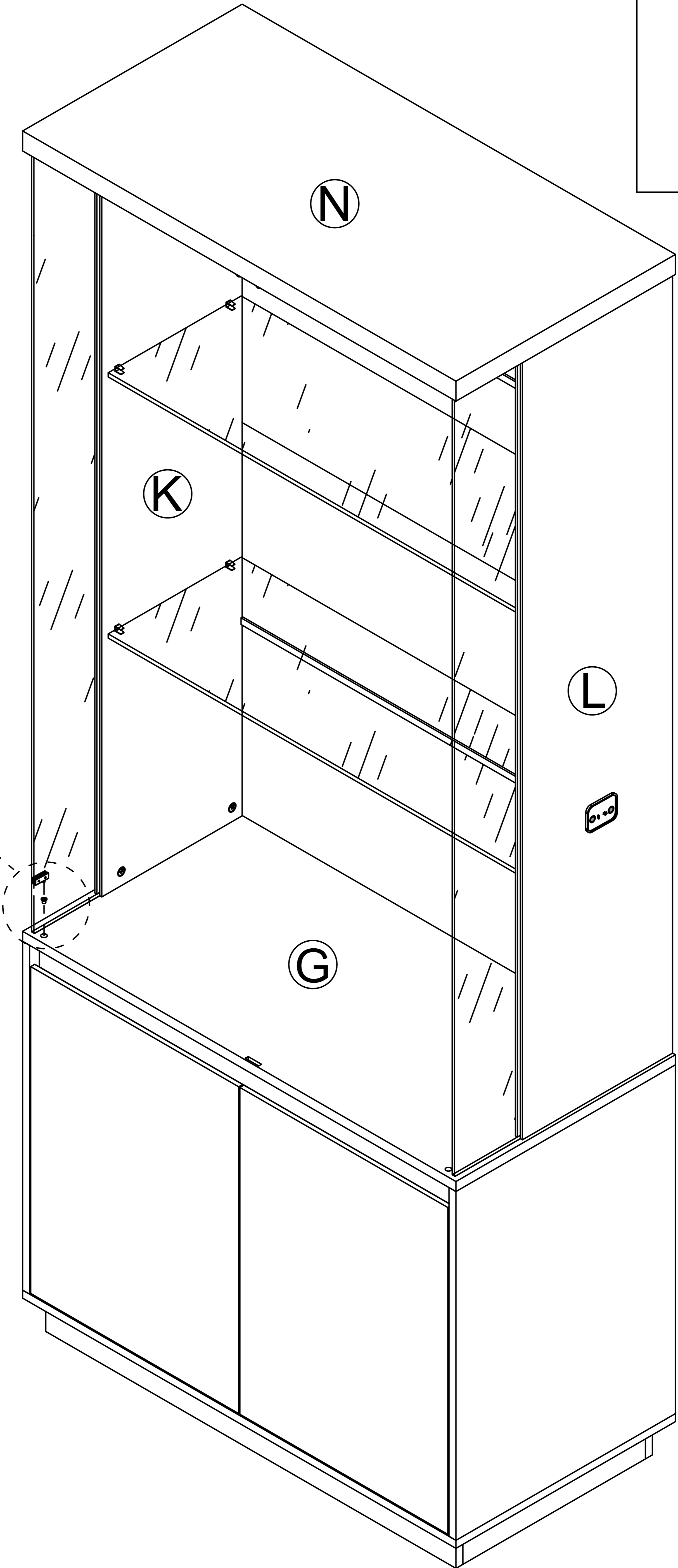
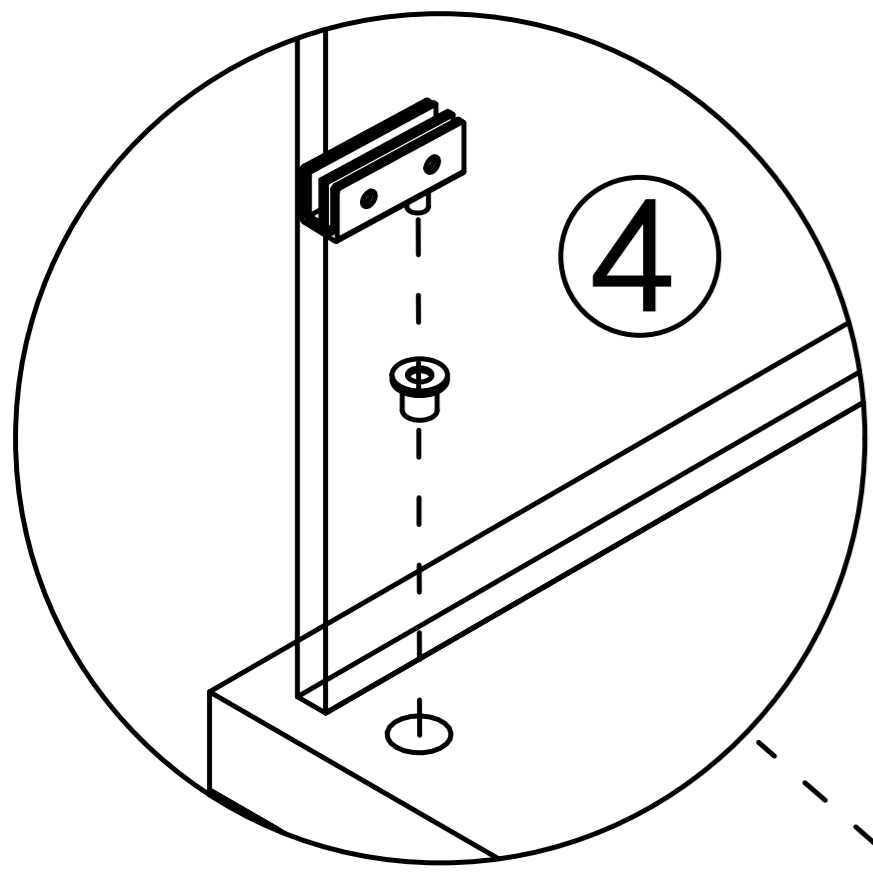
Locking screw

Pay attention to the direction of the door hinge rotate the screws to compress the black gasket. and do not place it in the opposite direction


Place the black gasket on the side where the screws are installed

Step 41

- ④  x1
-  x1

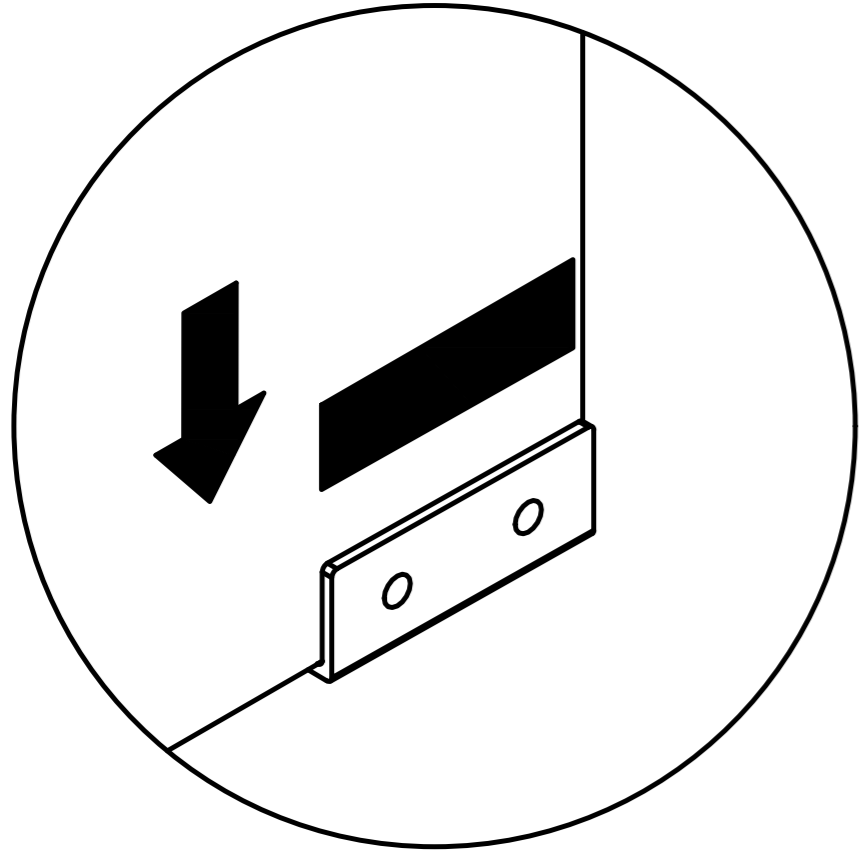


Step 42

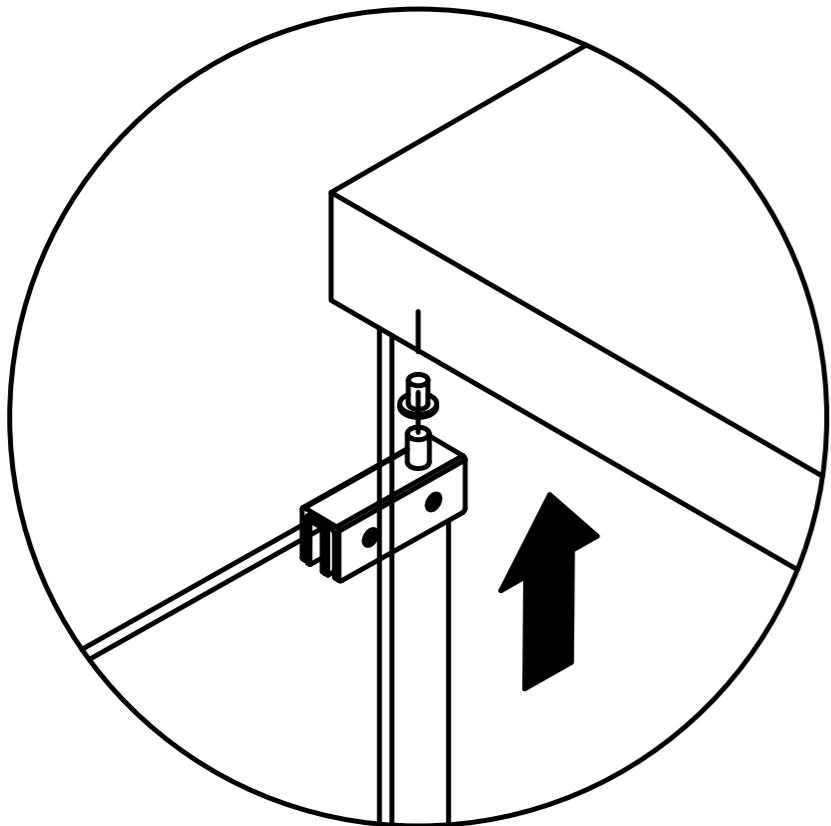
④  x1

Pay attention to the direction of the door hinge during installation

When installing a glass door, it is recommended to have two people install it to avoid the glass door colliding or hitting oneself.

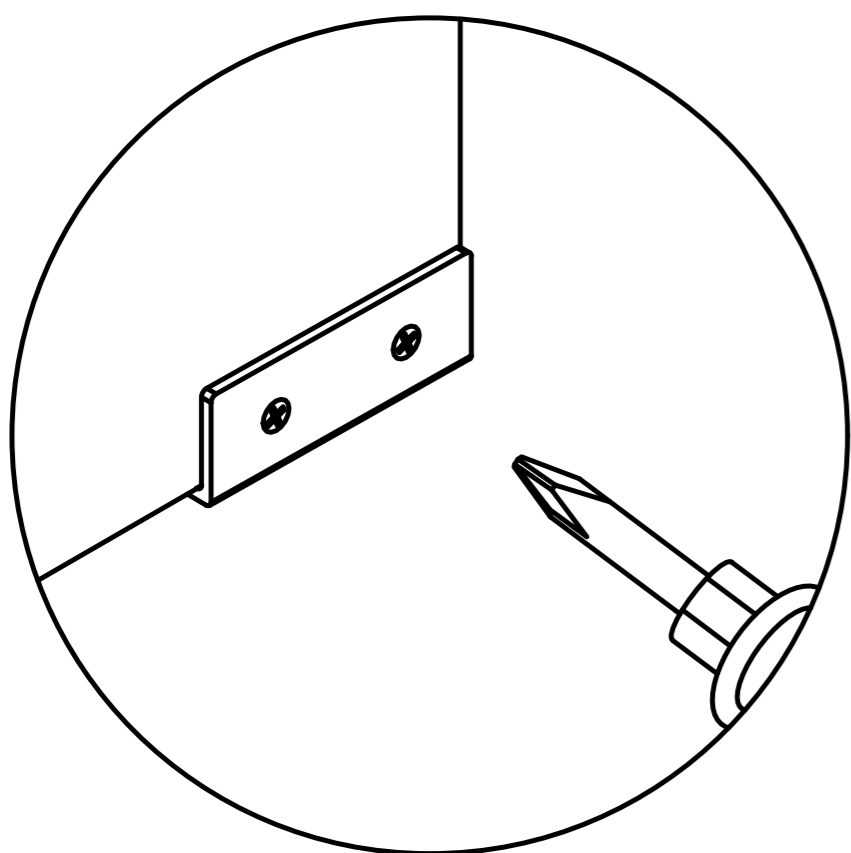


first

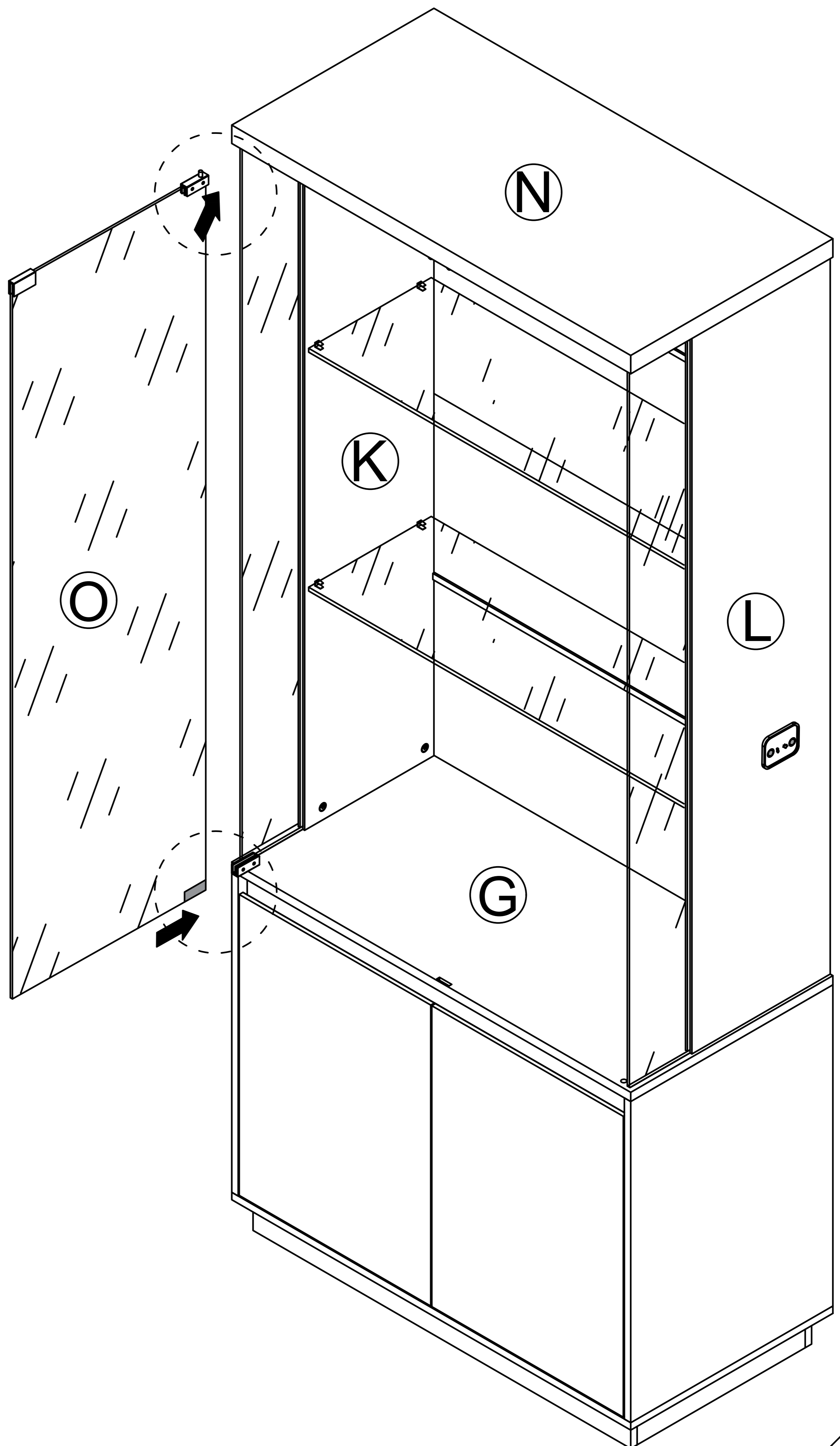


second

After installing the glass door, place the black gasket on the side where the screws are installed

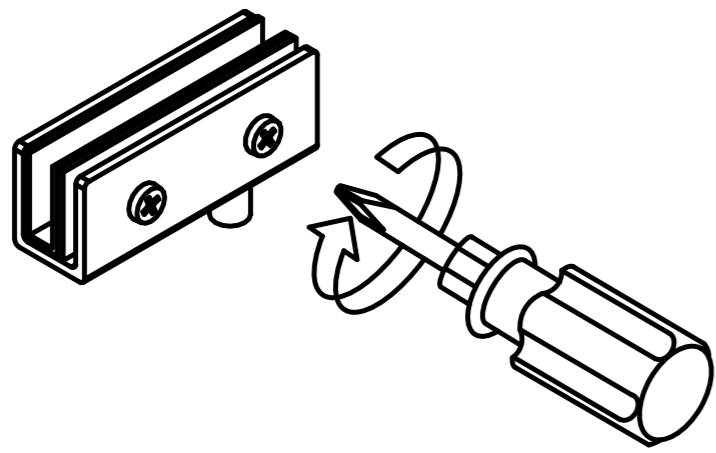


third
Locking screw

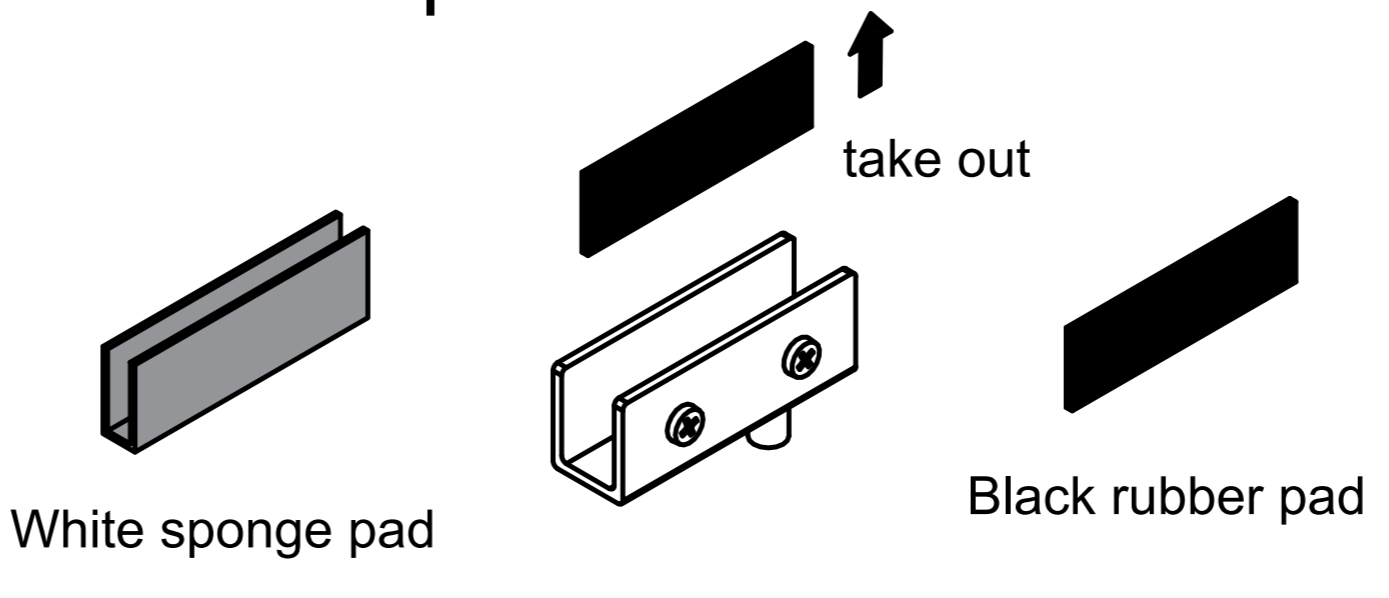


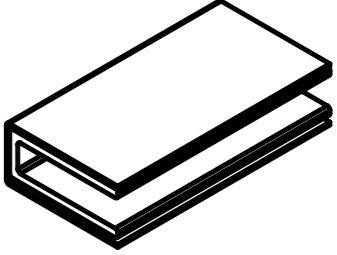
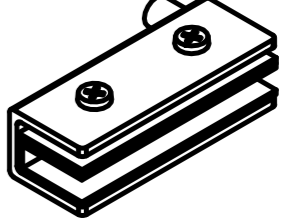
Step 43

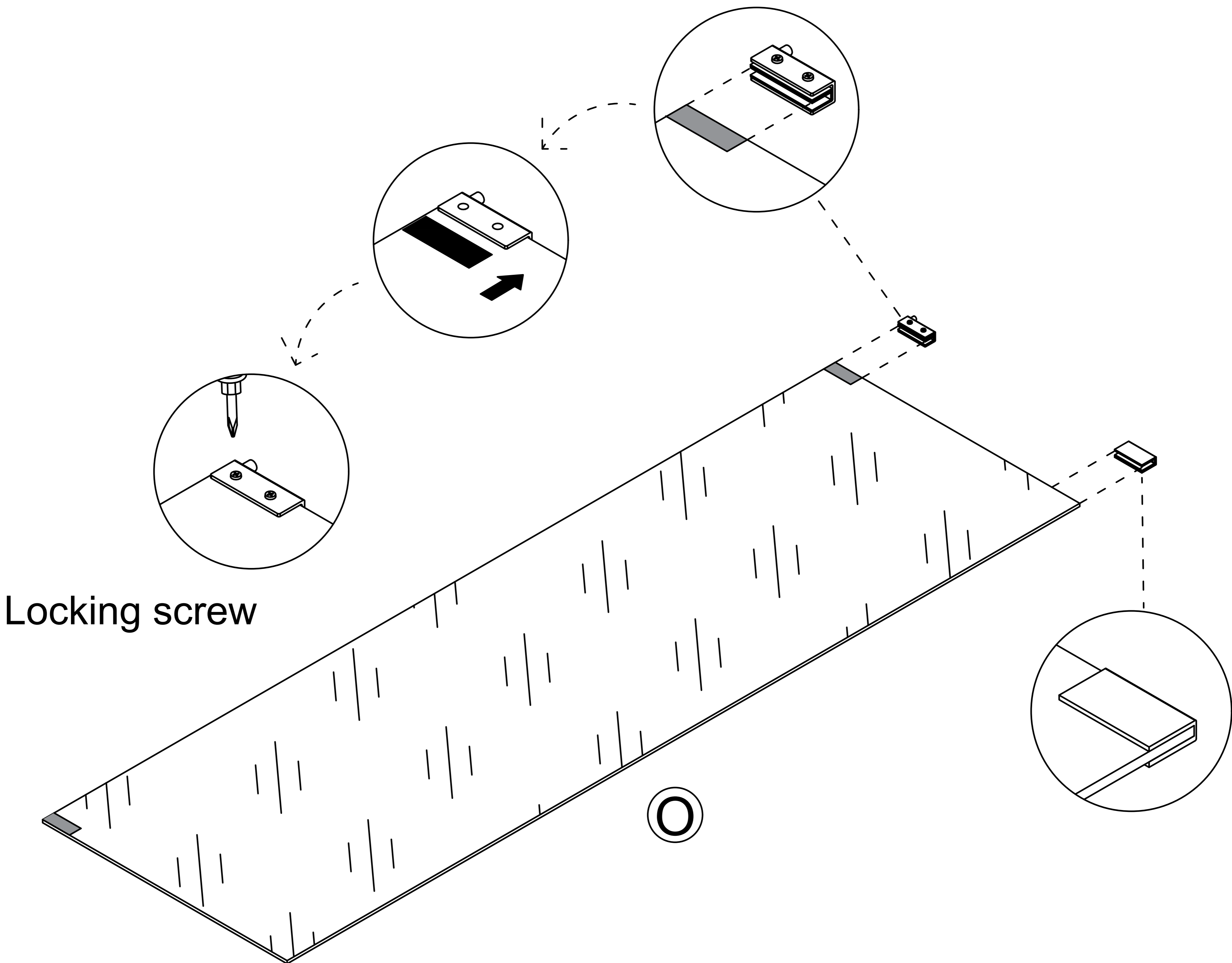
First, completely unscrew the screws on the parts



Then take out the black rubberpad from the inside of the part, and the white sponge remains unchanged inside the part.



- ④  x1
-  x1

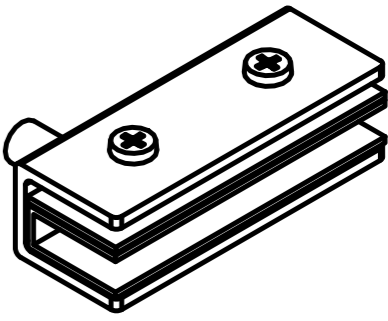
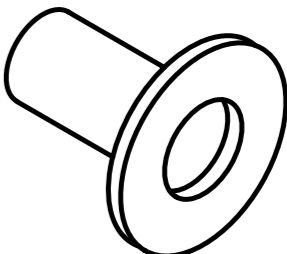


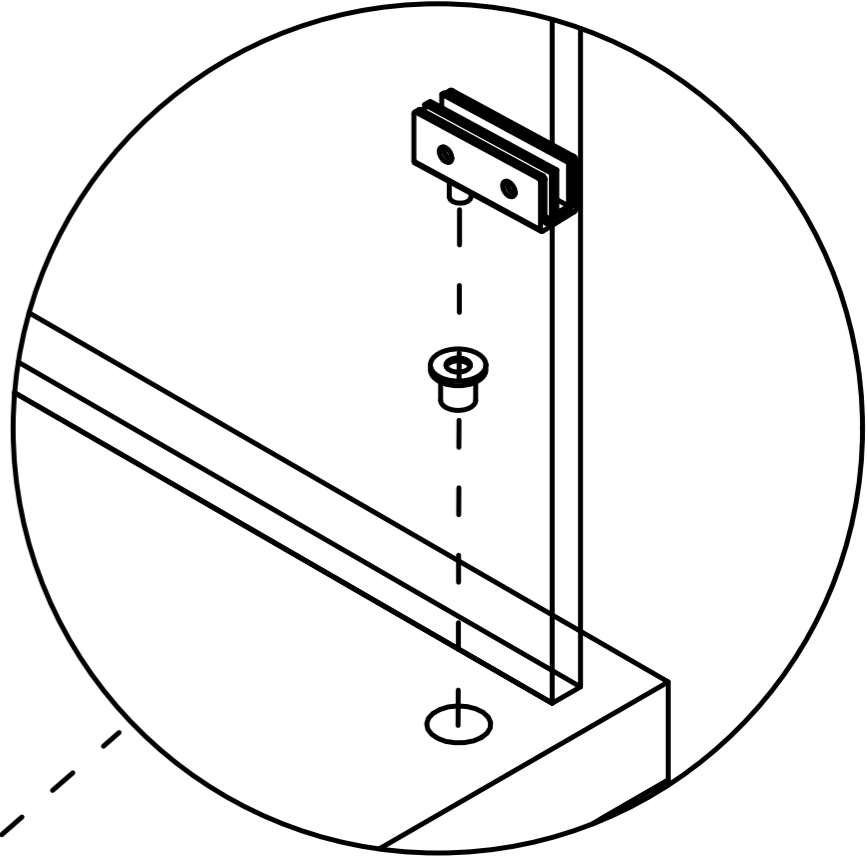
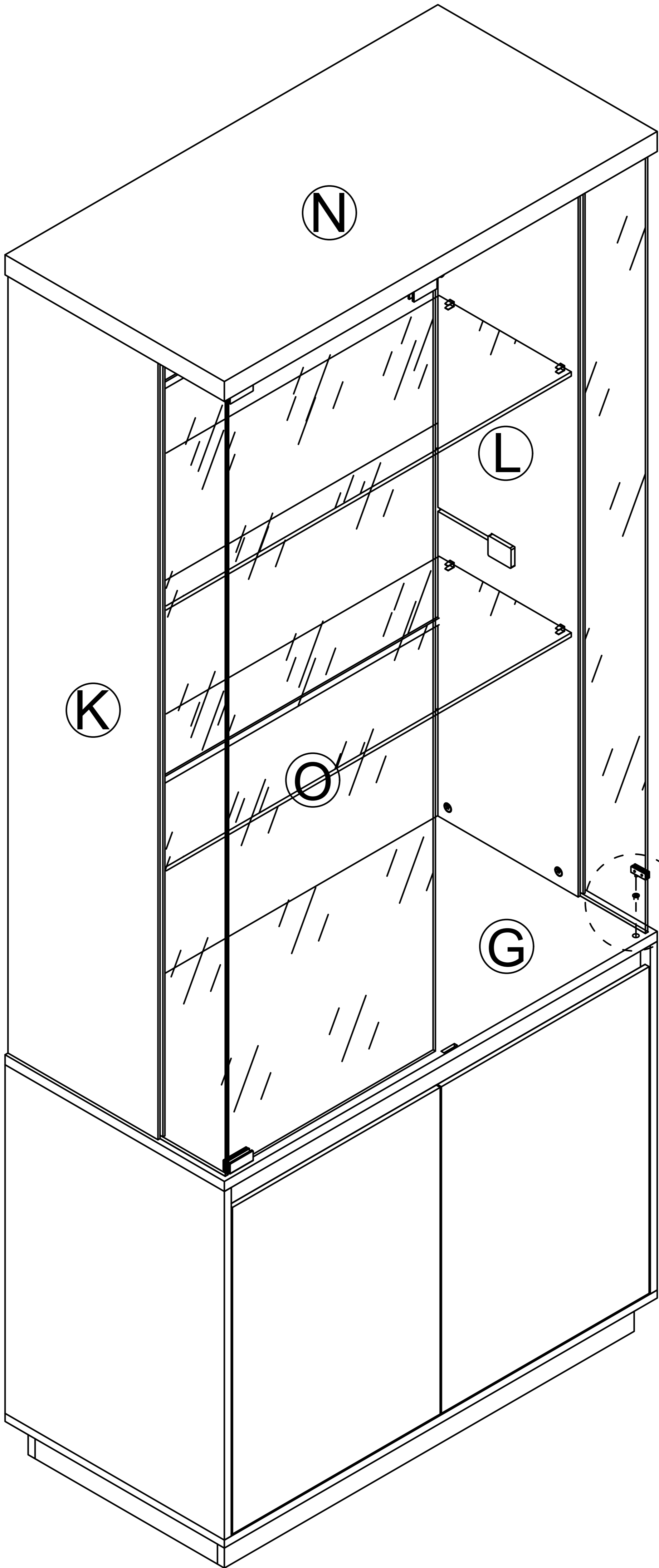
Locking screw

Pay attention to the direction of the door hinge rotate the screws to compress the black gasket. and do not place it in the opposite direction

Place the black gasket on the side where the screws are installed

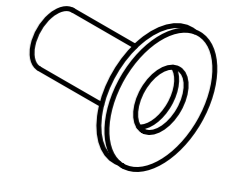
Step 44

- ④  x1
-  x1



Step 45

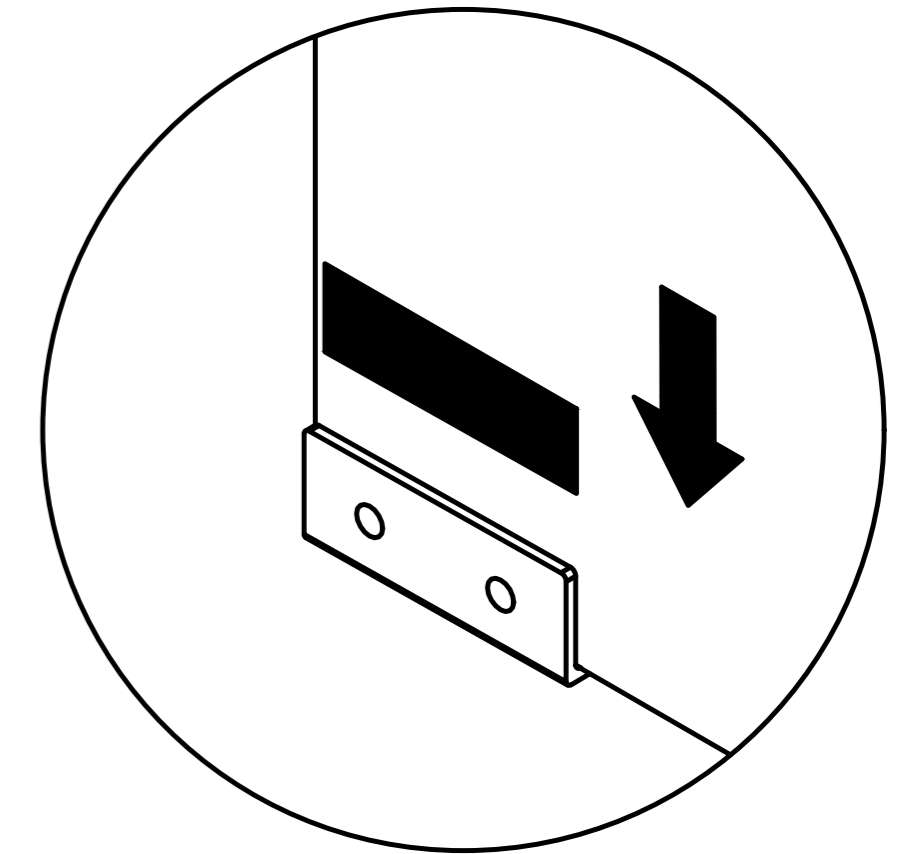
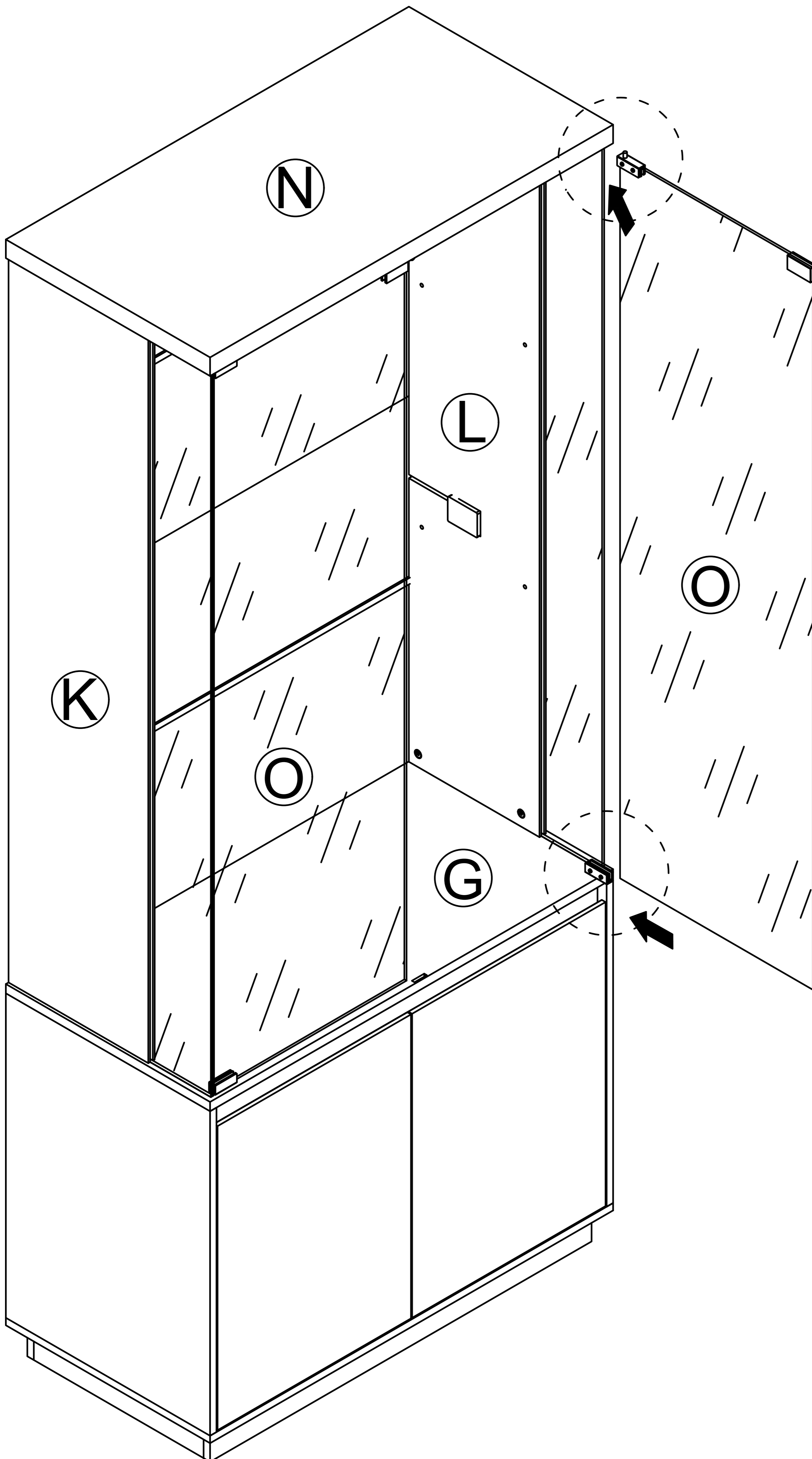
4



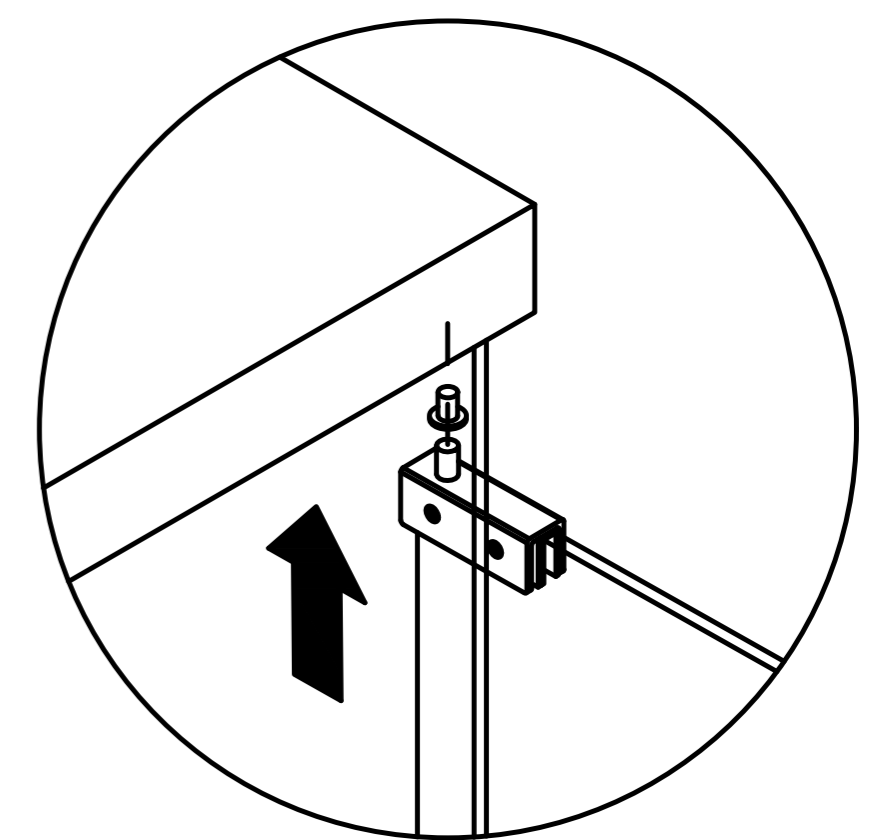
x1

Pay attention to the direction of the door hinge during installation

When installing a glass door, it is recommended to have two people install it to avoid the glass door colliding or hitting oneself.

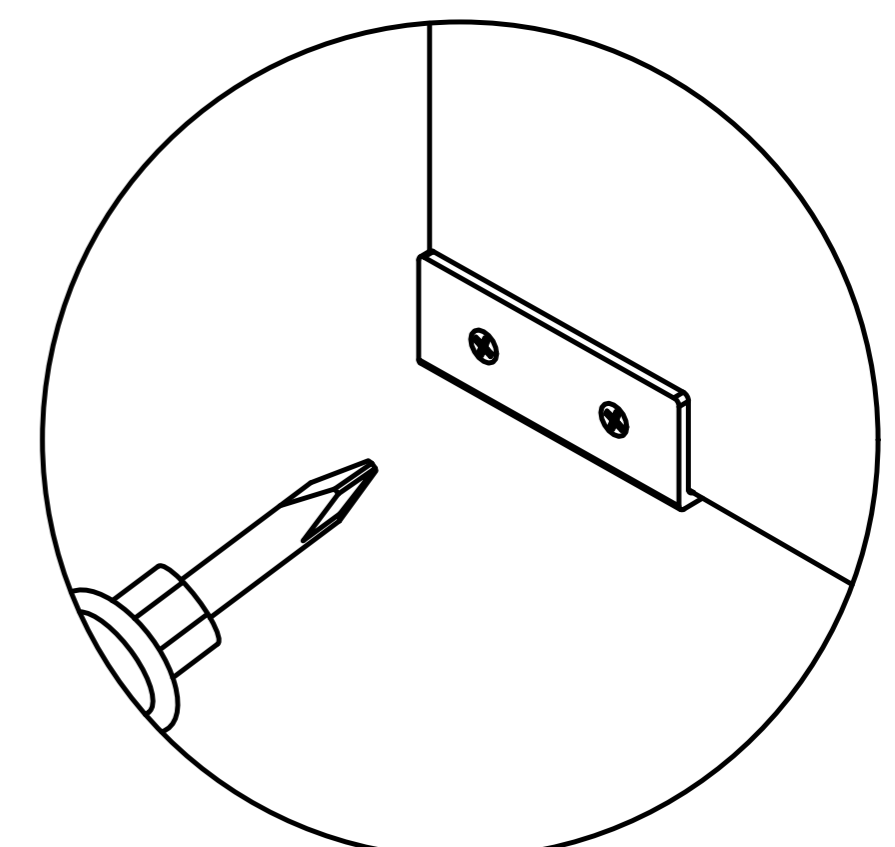


first



second

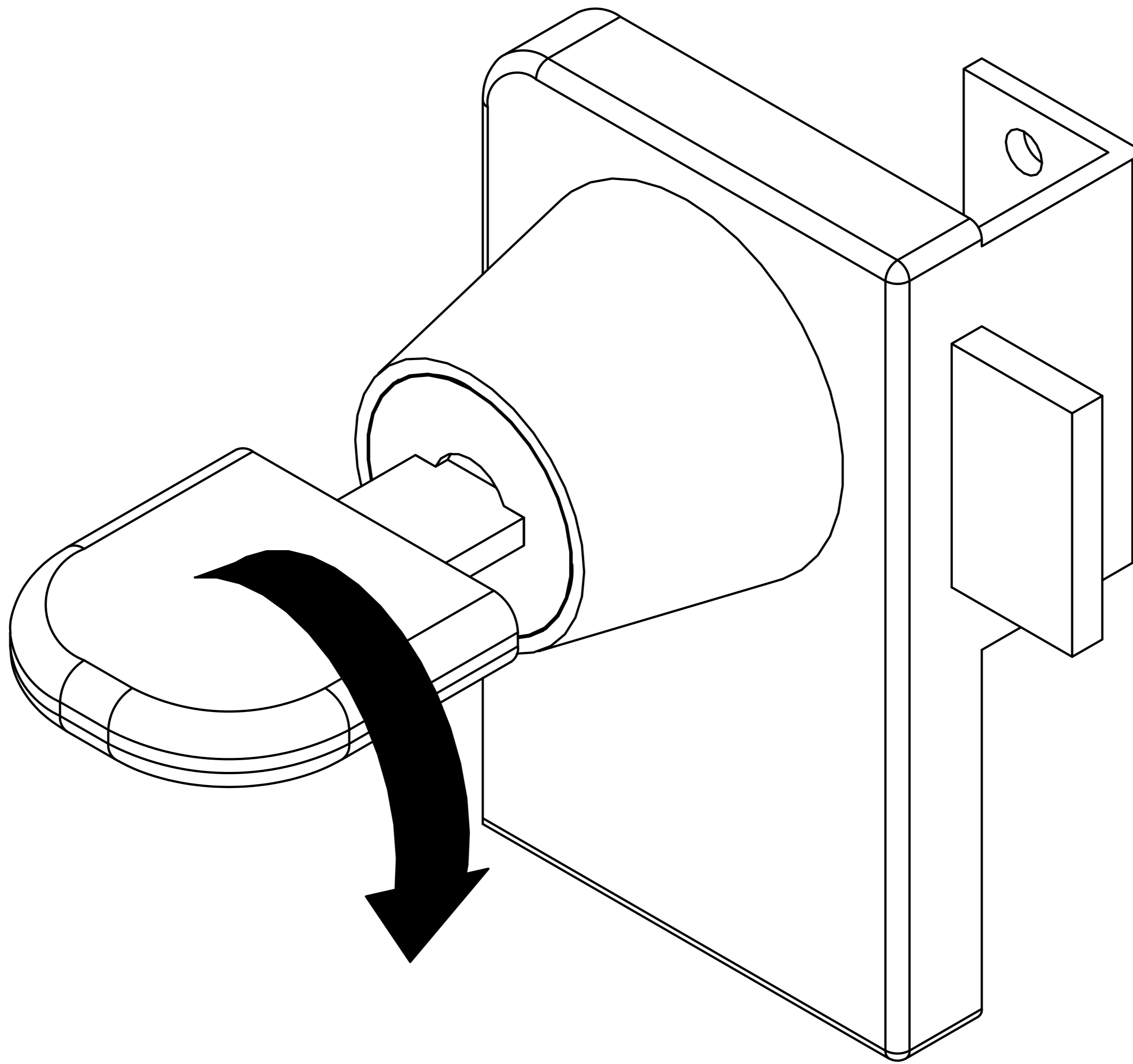
After installing the glass door, place the black gasket on the side where the screws are installed



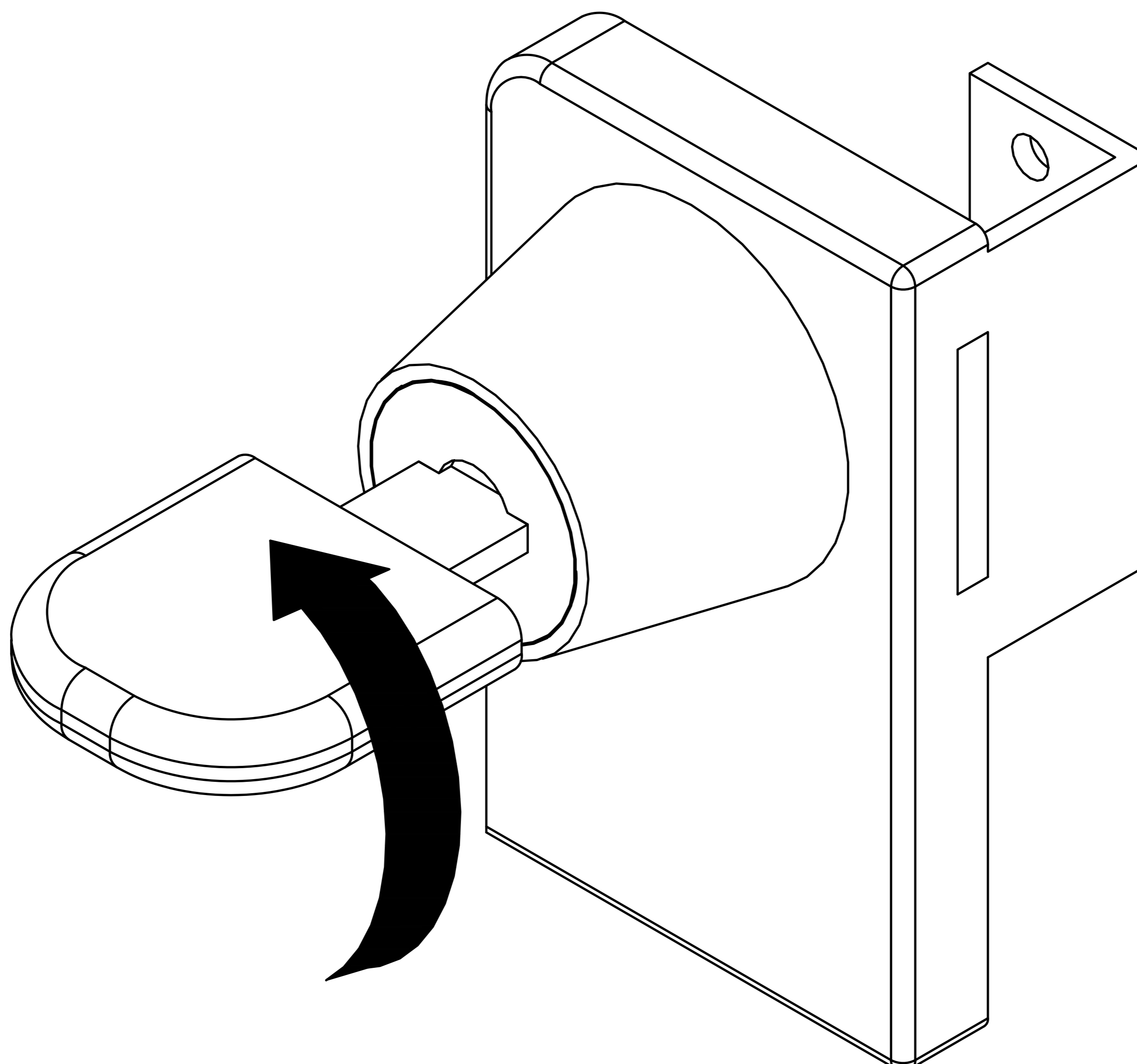
third

Locking screw

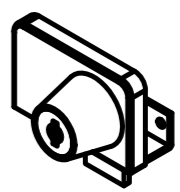

Tip: Turning the door lock to the right will close it

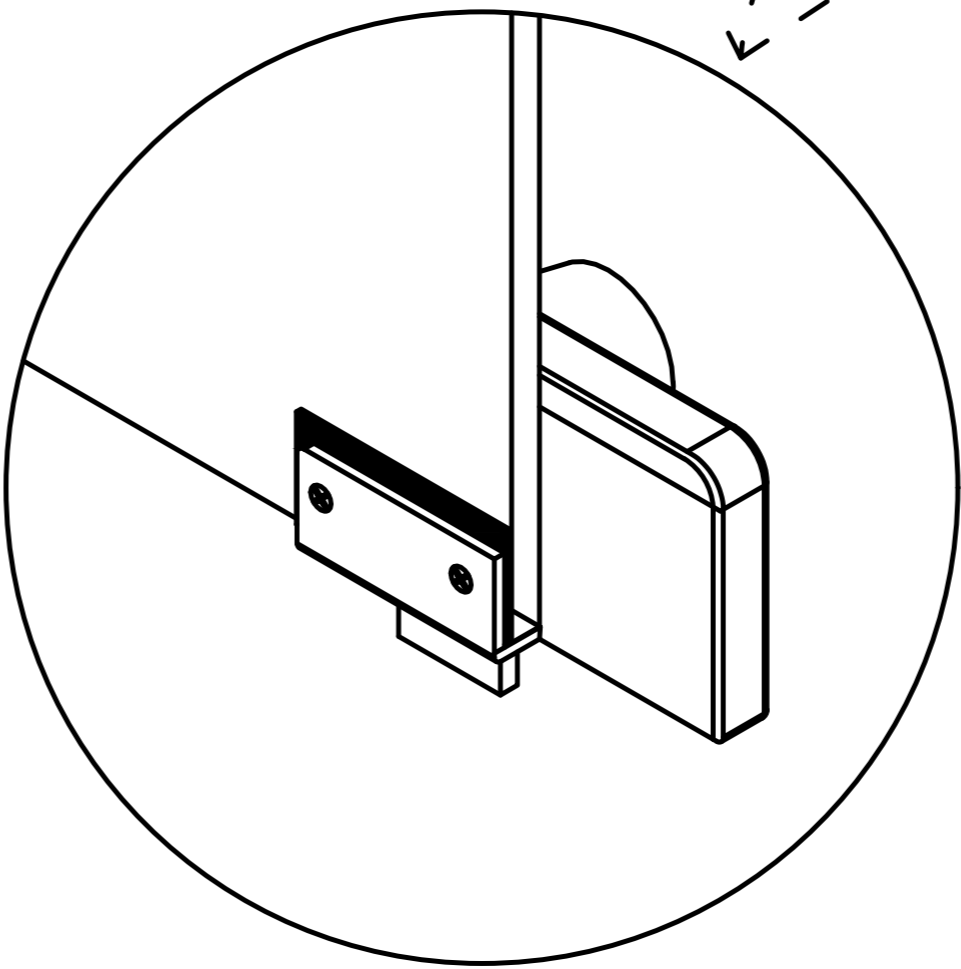
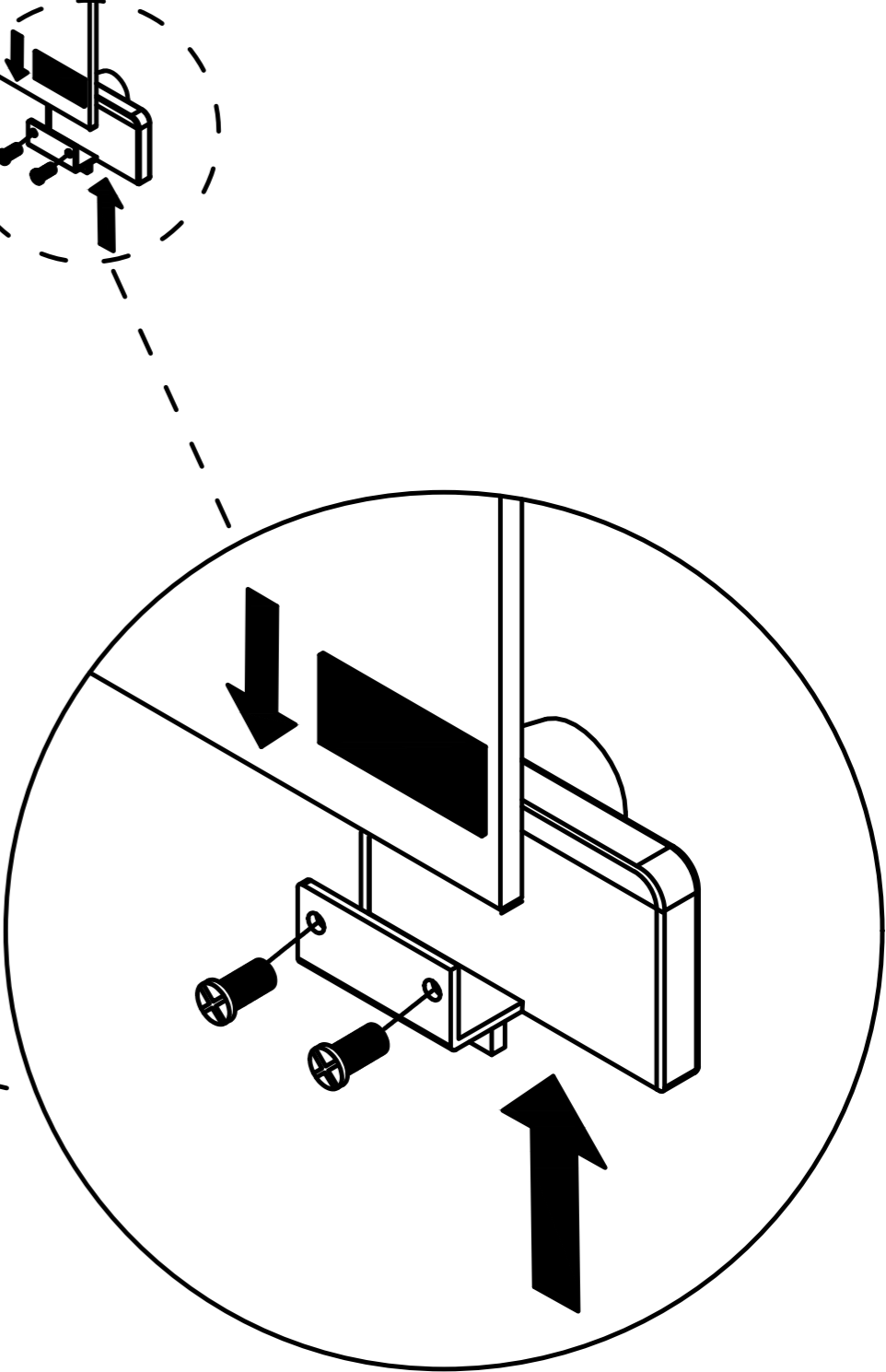
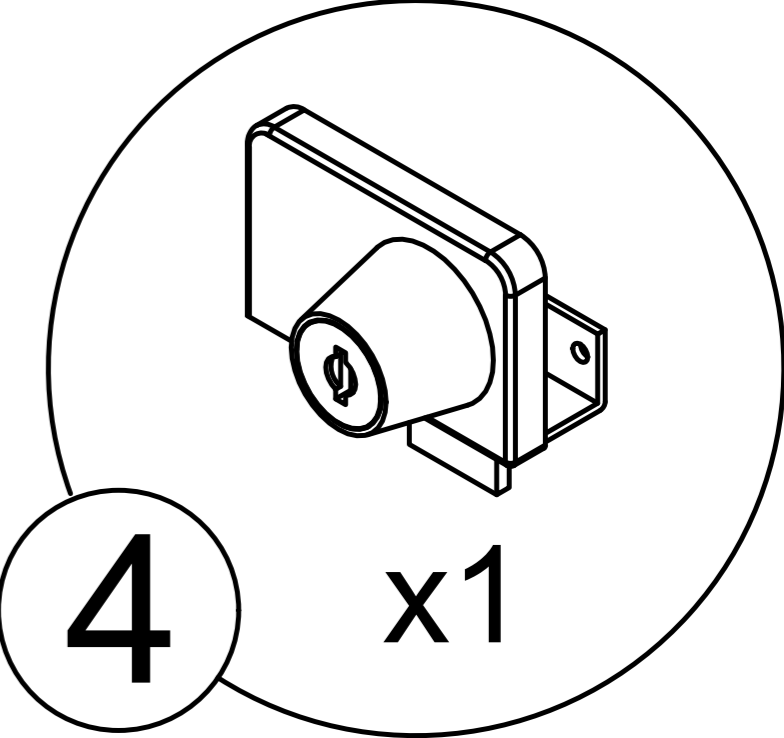
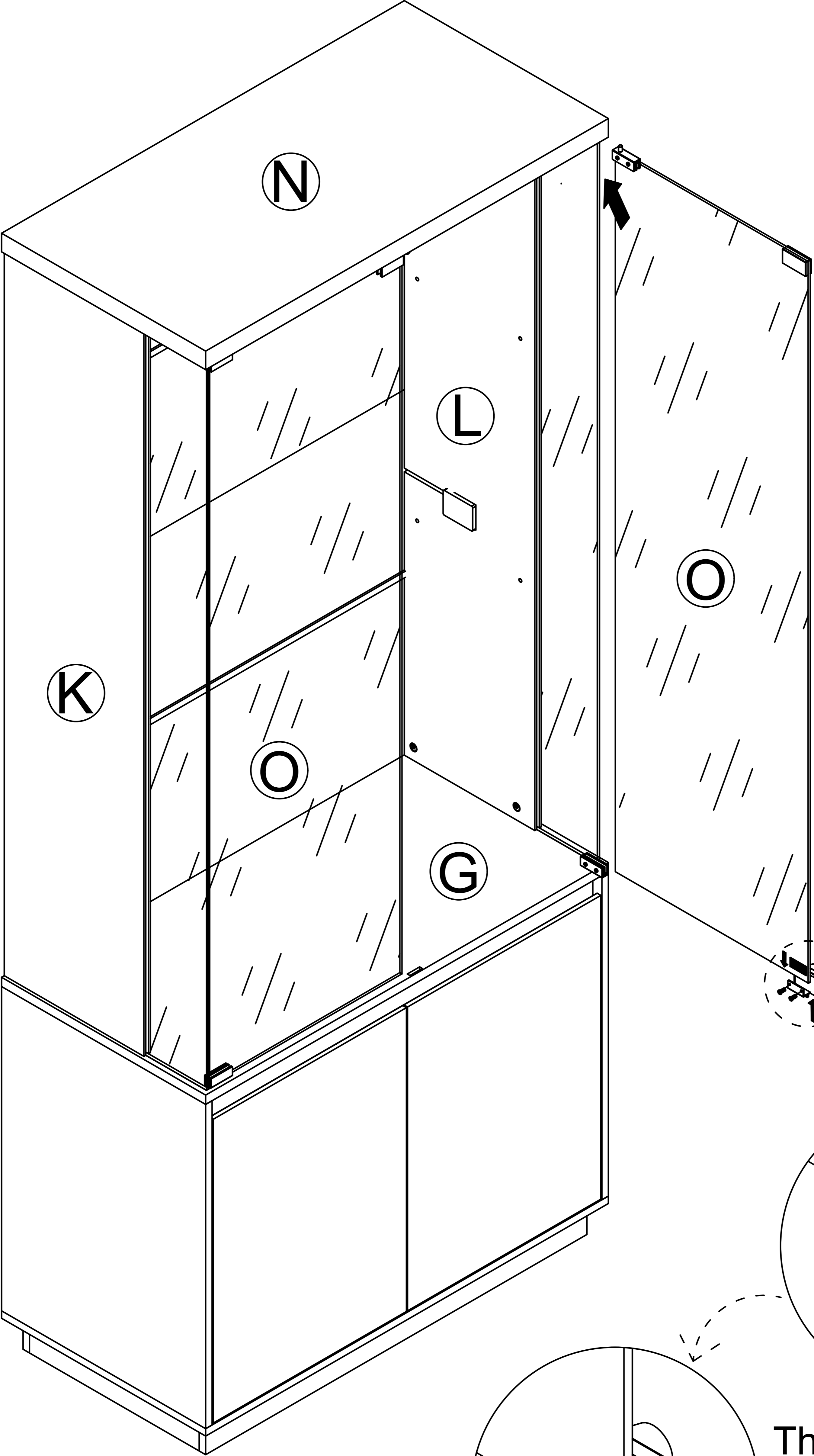


Tip: Turning the door lock to the left opens it



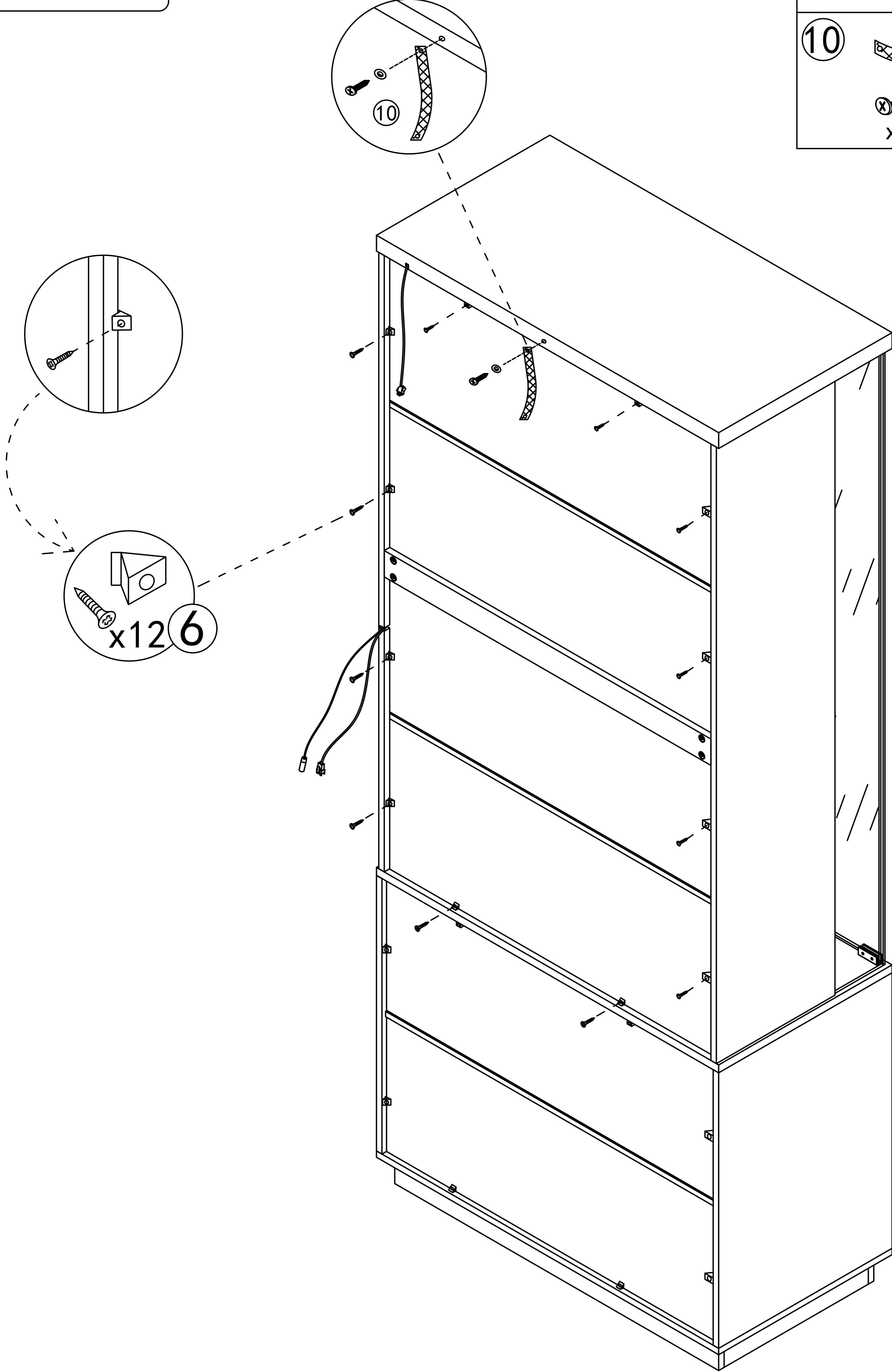
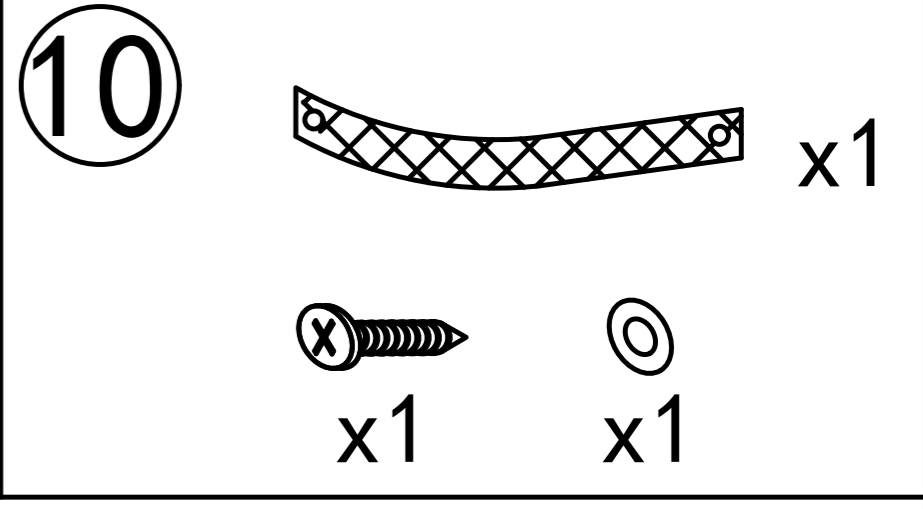
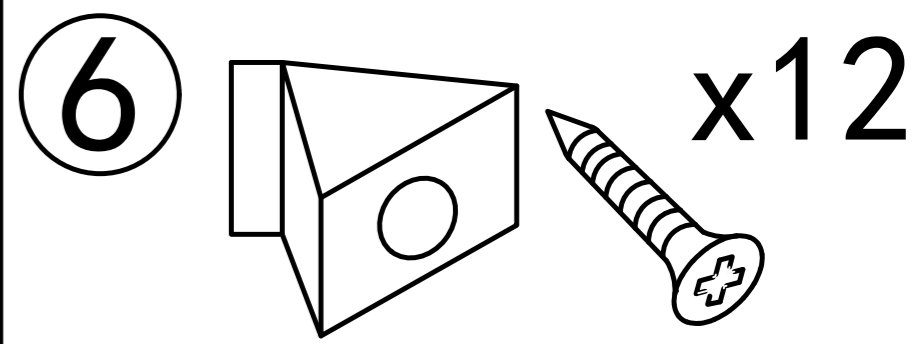
Step 46

④   x1



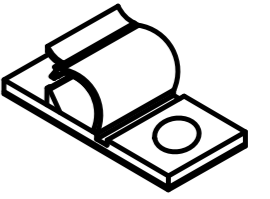
The black adhesive tape and the lock position should be aligned

Step 47

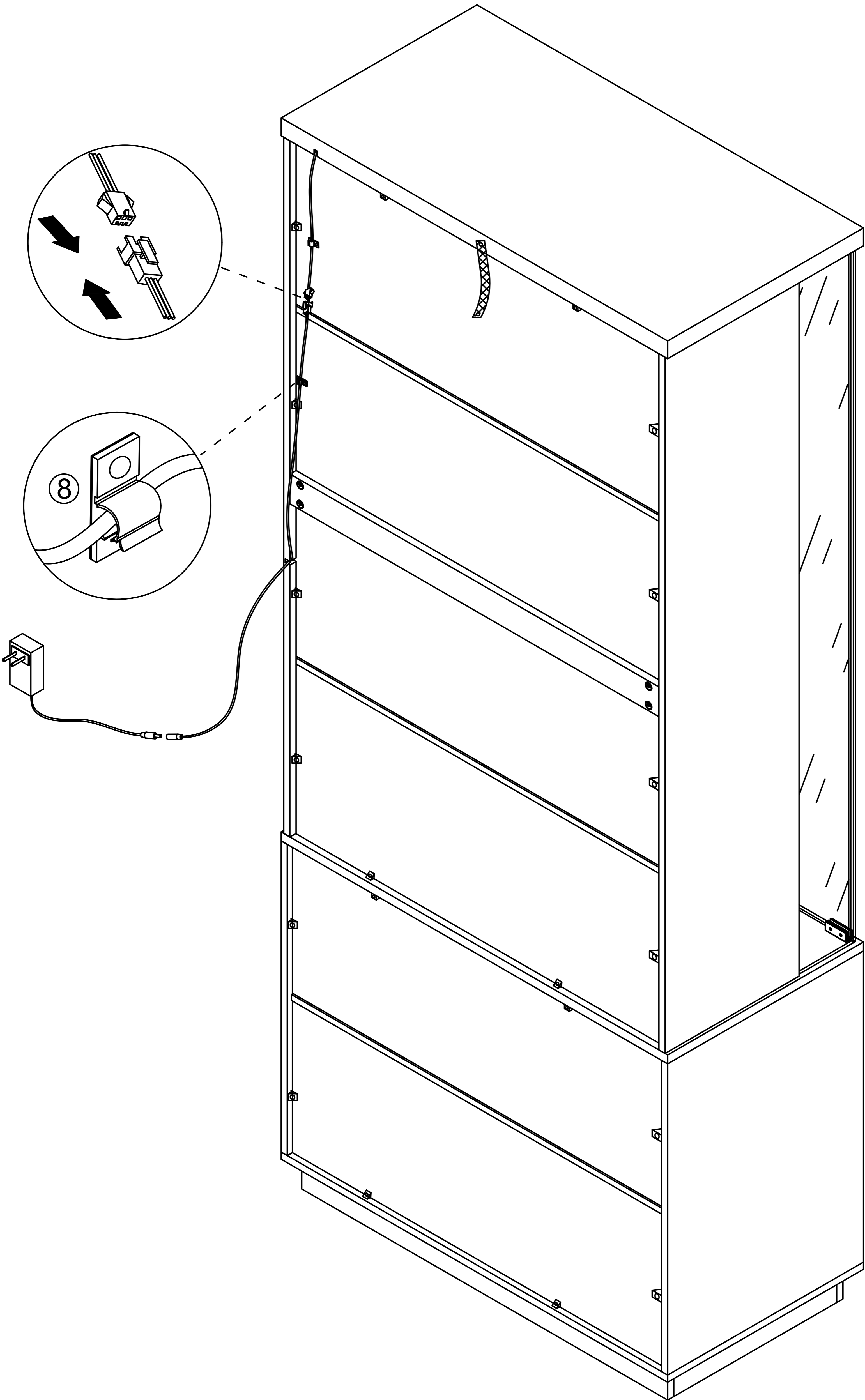


Step 48

8

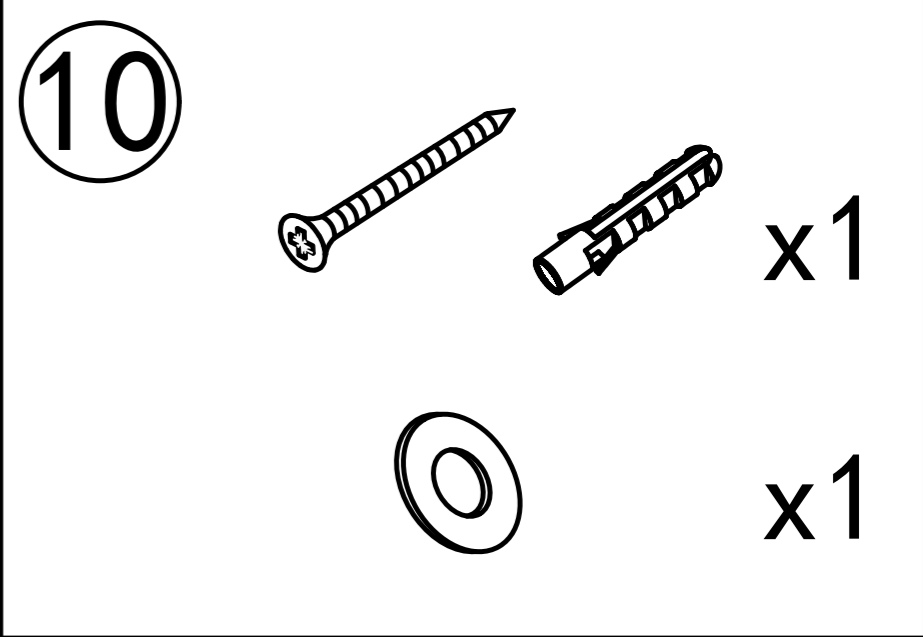
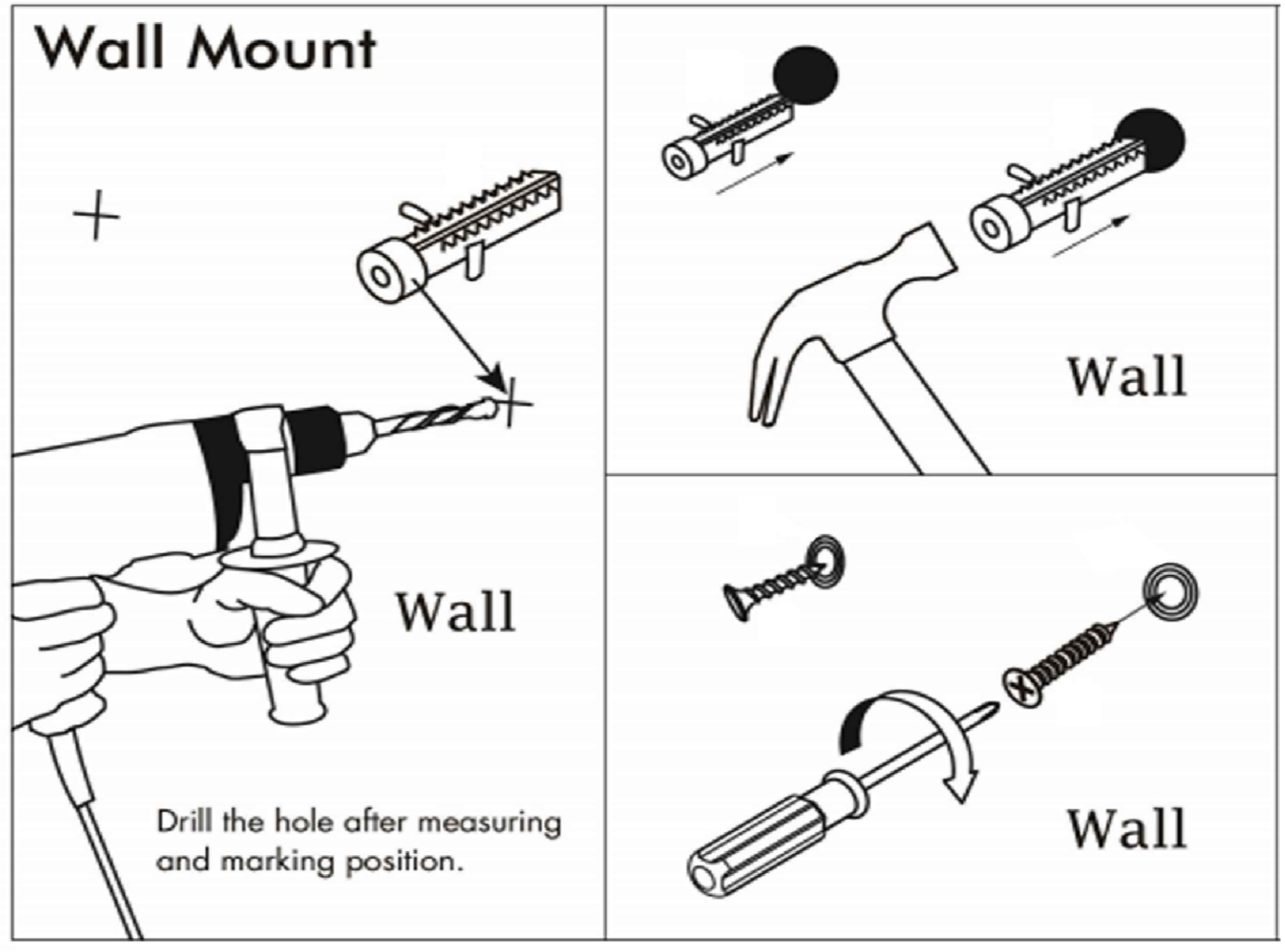


x2



Step 49

use a ruler to measure the approximate height of the product on the wall and then mark it with a pencil.

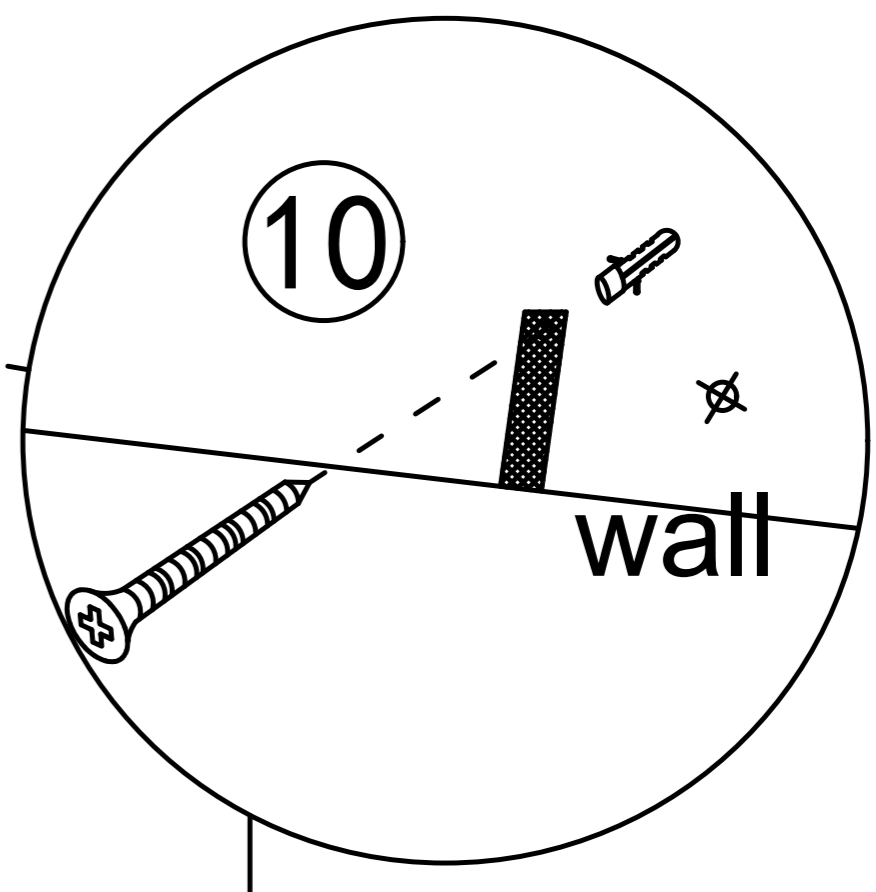
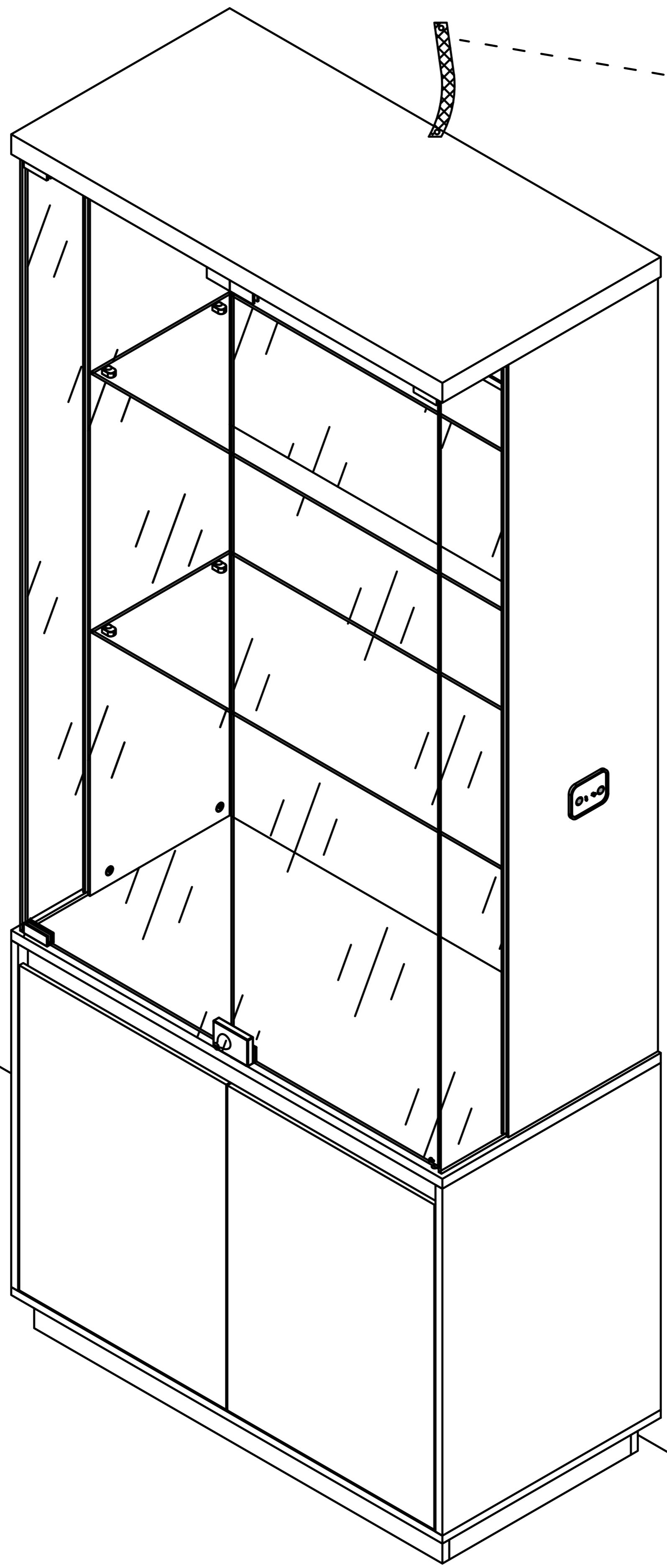


Put the expansion bolt into the hole.

Pass the matching screw through the "anti-rewind" and tighten them to fix them on the wall.

Use a tape drill to make holes in the wall that are suitable for the product screws.

wall



wall

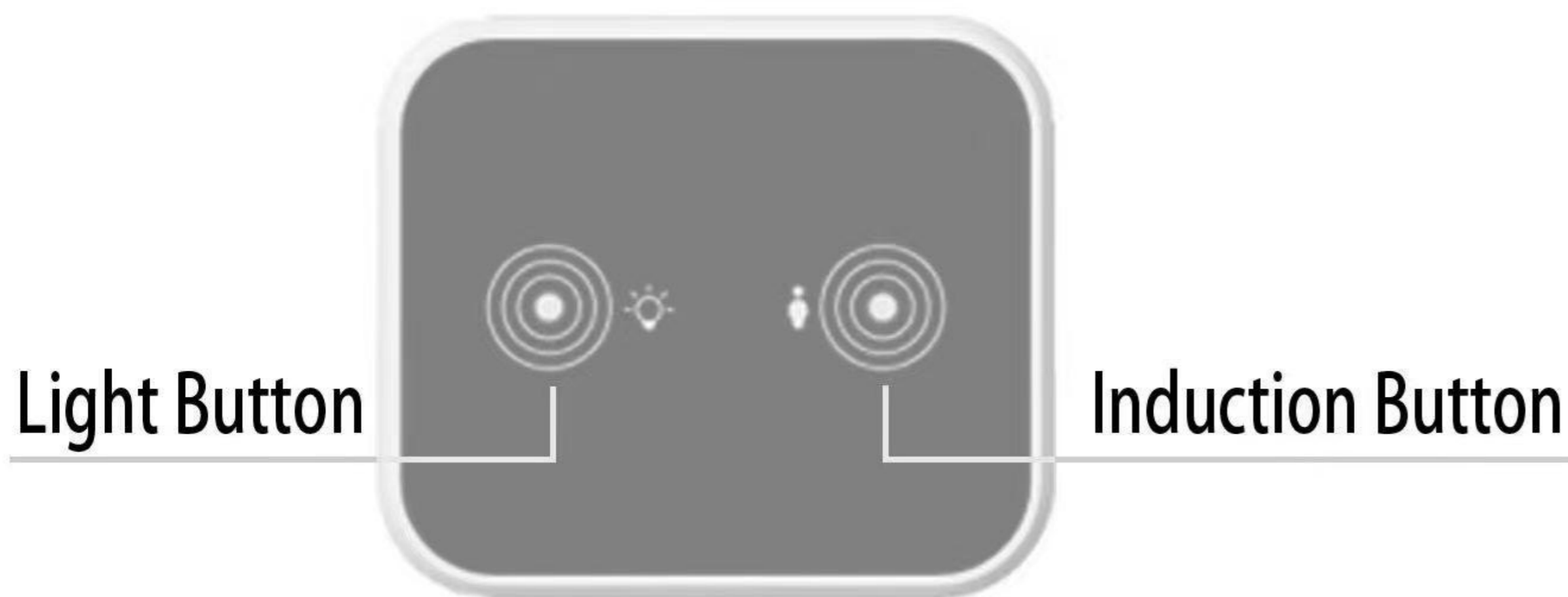
User's Guide

Thank you for purchasing this product. To use this product, please plug it into a 12V DC power supply. Please use if the product works normally after connecting to power.

Introduction

The box is an intelligent controller with 2 touch buttons. It can turn ON/OFF the light, change light colors, and adjust the light luminance.

Product Show



ATTENTION PLEASE

1. If there is no touch response suddenly, Re-plug the power to reset the touch static electricity.
2. If bubbles appear on the panel, remove the protective film.

Operation



This touch button is used to turn on/off, change colors, and adjust brightness.

A. Short touch -> lighting on -> short touch -> change light color -> short touch -> change light color -> short touch -> lighting off. B. Long touch -> adjust the luminance



This touch button is used to turn on/off the induction function.

A. Short touch to turn on the induction function. It can auto-turn on the light when people are close to the controller in 1 meters. It can auto power off the light when the body is far away from the controller after 30 seconds.

B. Long touch to turn off the induction function.

C. Note: When you touch the light button to change the light modes, the induction function will automatically turn off. It is best to turn on this function after selecting the light color and adjusting the brightness you want.