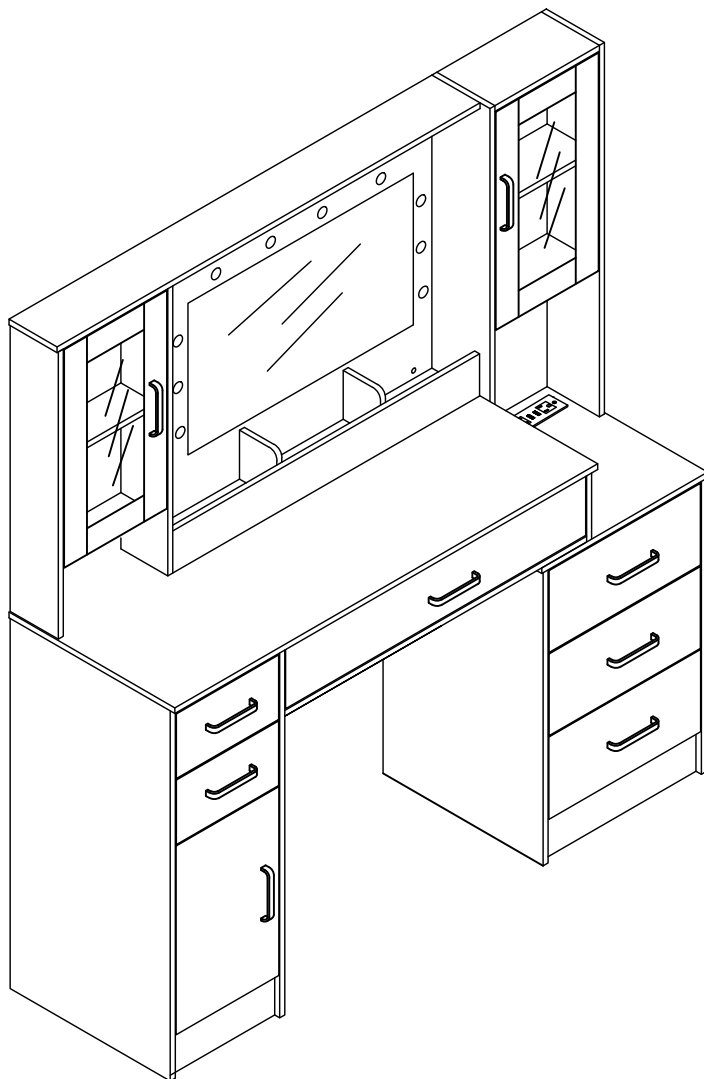


# Instruction Book

For specification: 130cm(L)x40cm(W)x140cm(H)

Instruction manual



Please don't tighten the screws completely and go back later for a final tightening of all the screws after pieces are aligned with each other. If you have any question, please feel free to contact us.

Foreword:

Thank you for choosing our product! We hope you have a good shopping experience!

We aim to provide a 100% satisfaction product and customer service. If the received product has missing parts or components, arrived damaged, dissatisfaction with the order, or has questions about the assemble, please do not hesitate to contact us. Our customer service will reply within 12 hours.

Specifications:

Product name: Makeup Vanity Desk with Lights and Mirror

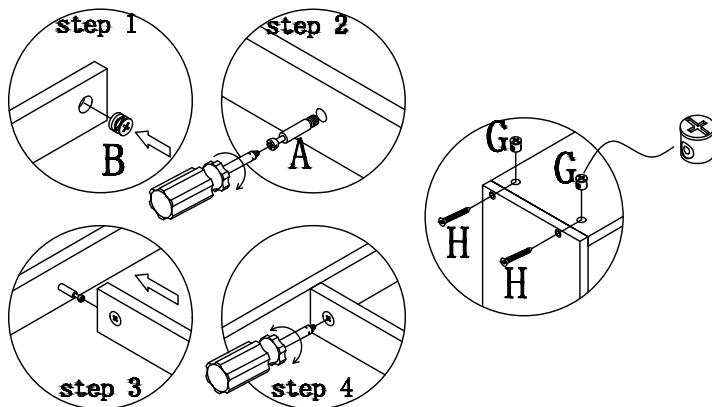
Package Dimension: 42.9x26x7.7 in / 109x68x19.5 cm

Product Size: 51.2x15.7x55.1 in / 130x40x140 cm







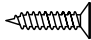





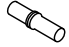
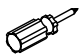


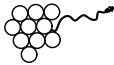

Weight: 106lb/48KGS

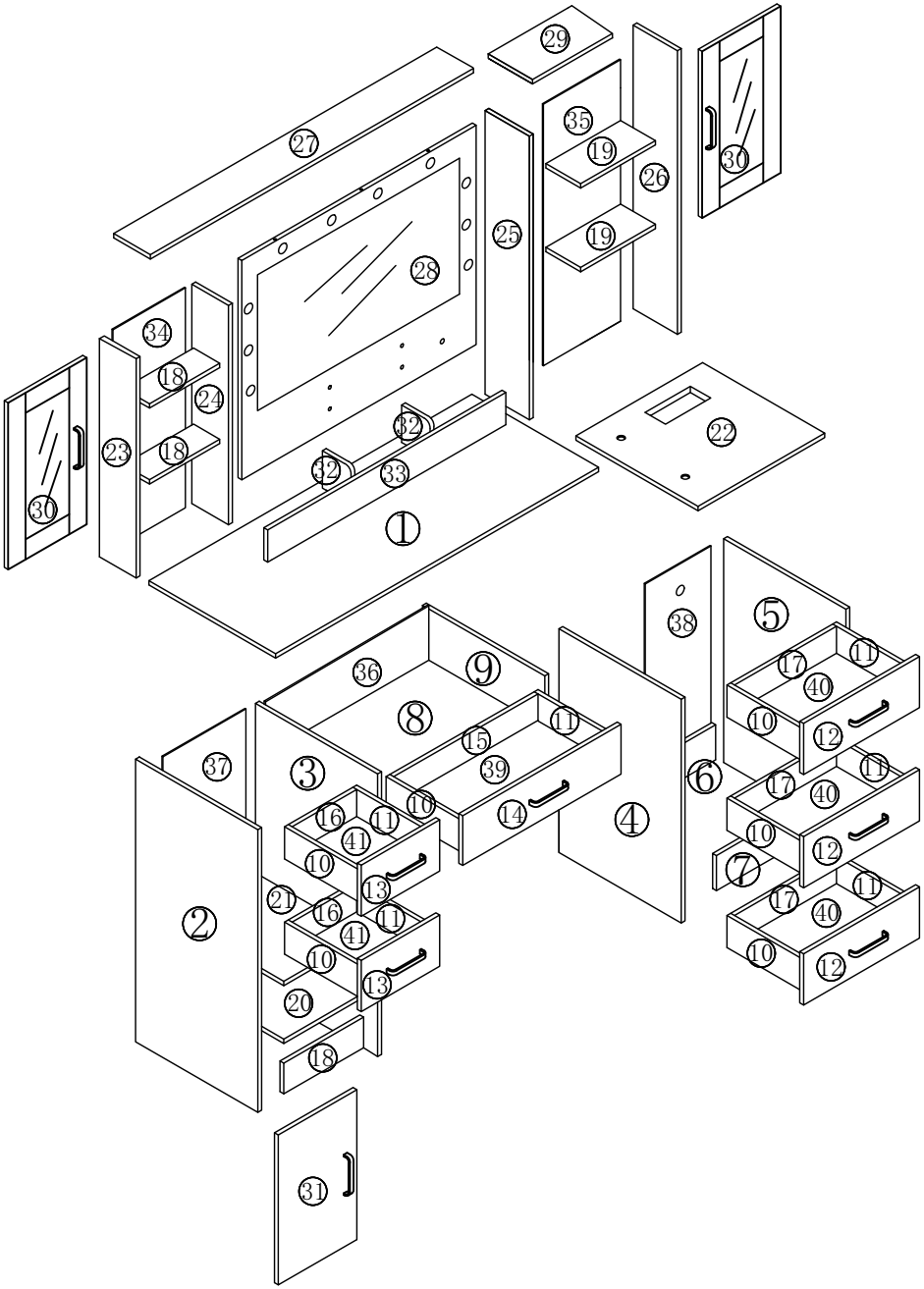
# Left cabinet

## A, B, G, H, C, D installation guide



## Accessories

 Three-in-one screw A*100	 Three-in-one nut B*100	 drawer Track CR*6	 drawer Track DR*6	 drawer Track CL*6	 drawer Track DL*6
 Small Screw D*90	 Handle E*9	 Handle Screw F*14	 Handle Screw F2*4	 Small Screw X*30	 Handle Screw N*2
 Laminate support Y*4	 screwdriver Z*1	 Stool foot nail M*12	 usb power Q*1	 Bulb K*I	 Door hinges O*6



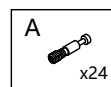
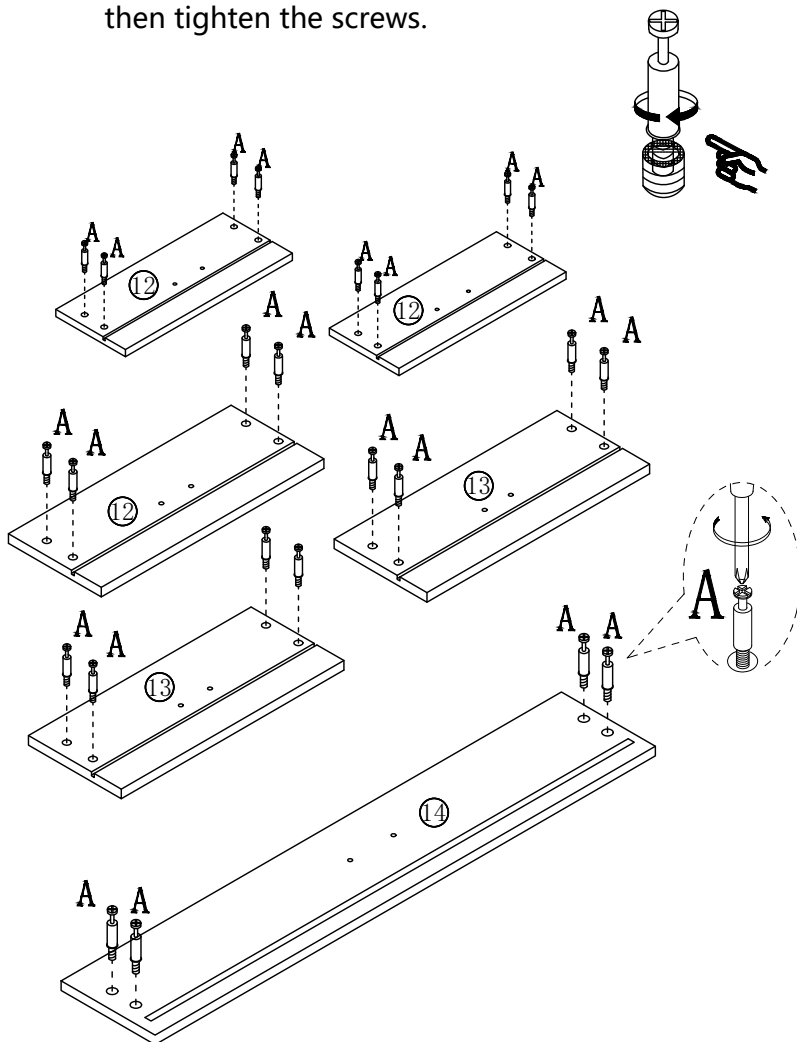
## Guidelines for the use of 3-in-1 connecting rods:

The blue screw cap at the bottom of the 3-in-1 connecting rod is twist-able, and it can be twisted clockwise or counterclockwise to fit the size of the reserved holes in the wooden board.

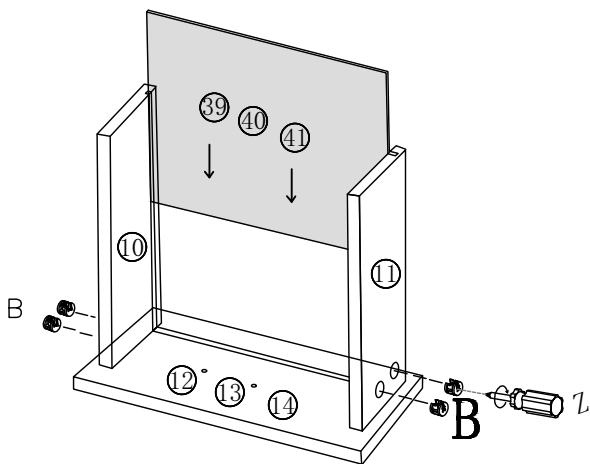
When you use this 3-in-1 connecting rod, if you find that it can't be inserted into the reserved holes on the wooden board, just loosen the blue screw cap a bit until it fits into the holes of the board. Then use a screwdriver to tighten the screws. Note: If the bottom blue screw cap is not stretched apart by the three-in-one connecting rod in the reserved hole, the connected part will appear unstable .

# STEP 1

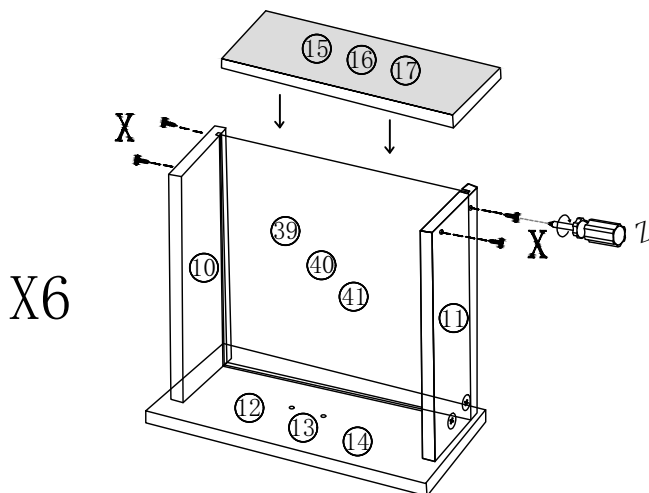
Place all the blue rubber sleeves into the reserved holes to ensure they are flush with the board surface, and then tighten the screws.



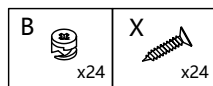
# STEP 2



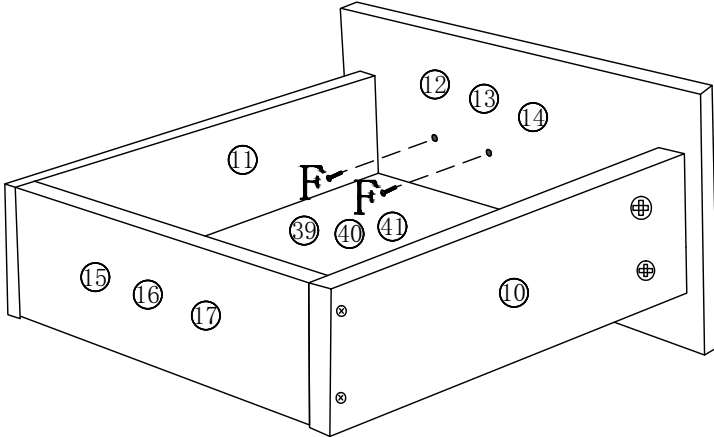
X6



X6

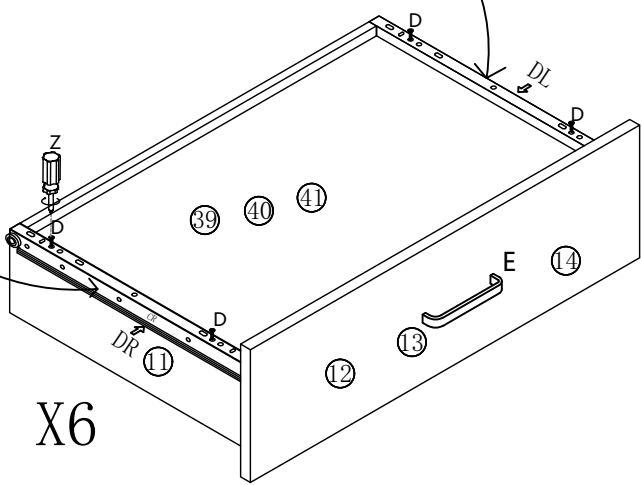


# STEP 3

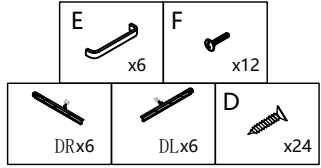
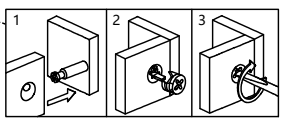
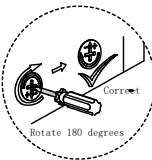


X6

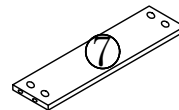
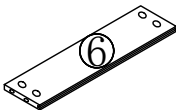
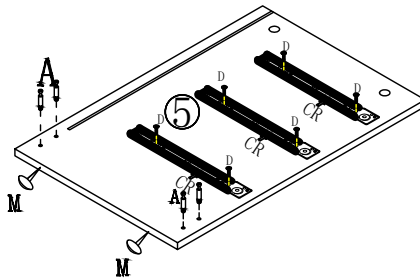
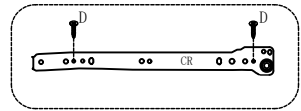
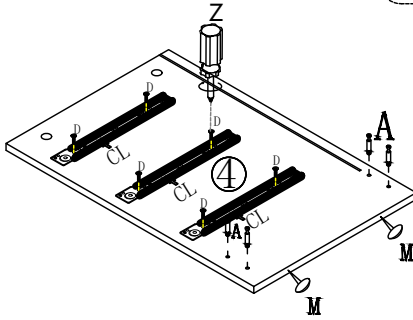
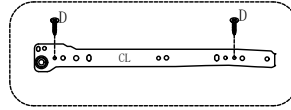
Note: All part DR and part DL should be installed at the BOTTOM of the drawers (As shown in the pic).








X6

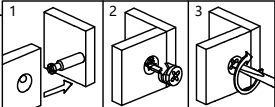
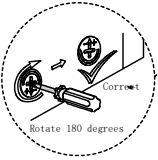
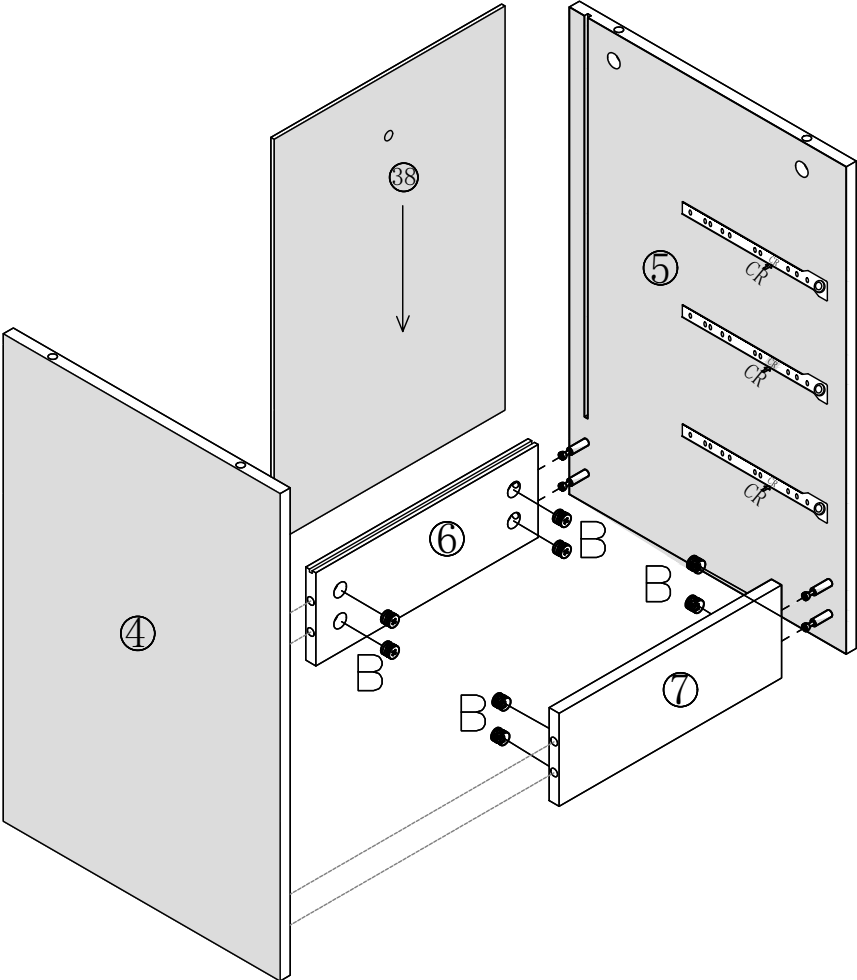


# STEP 4

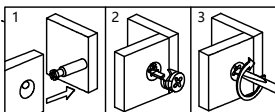
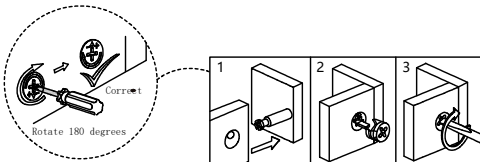
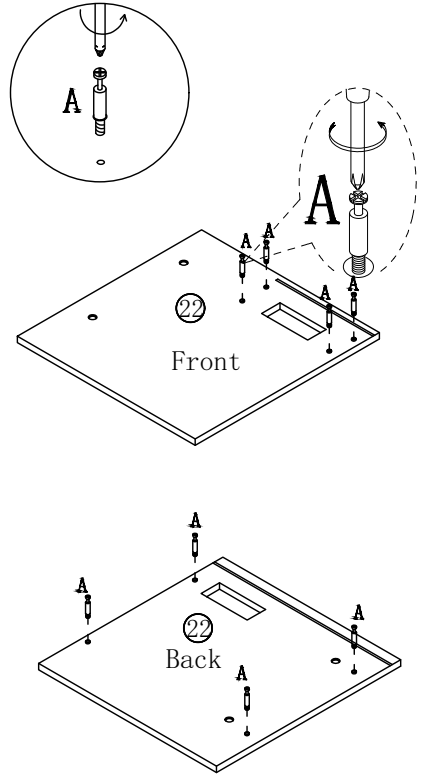
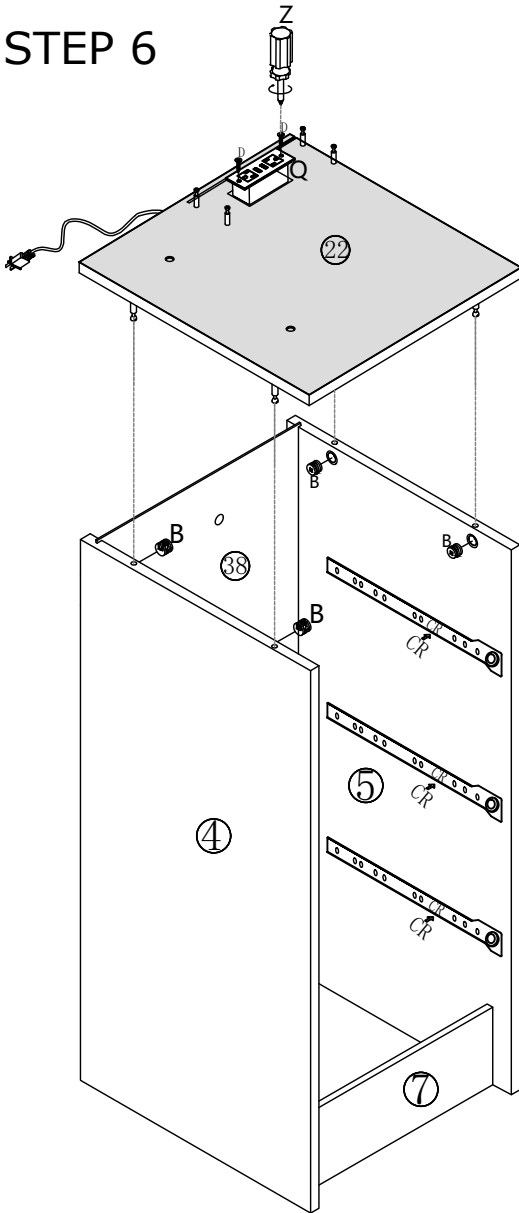






<p>A</p>  <p>x8</p>	<p>D</p>  <p>x12</p>	
 <p>CLx3</p>	 <p>CRx3</p>	<p>M</p>  <p>x4</p>

# STEP 5

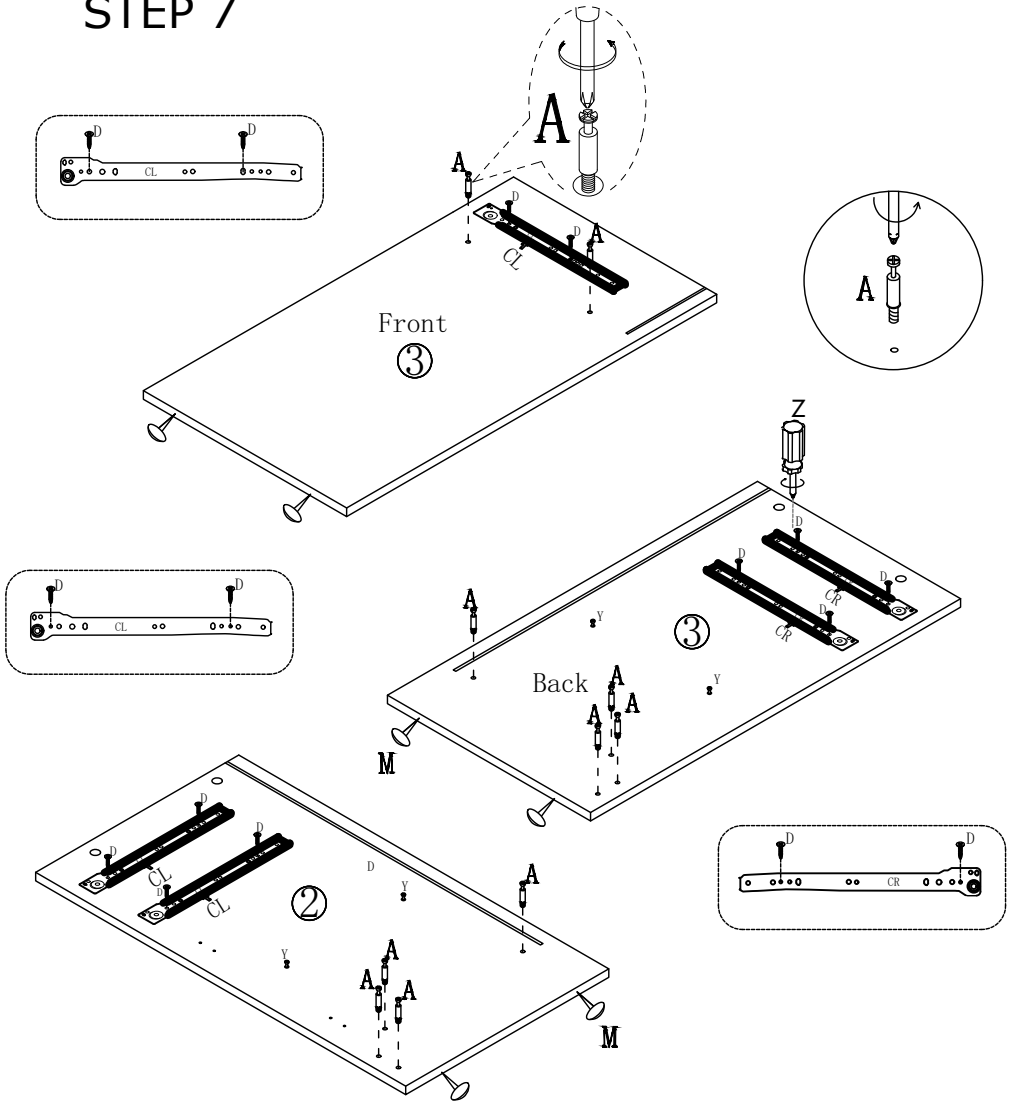


# STEP 6



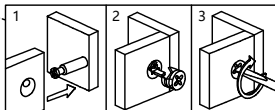
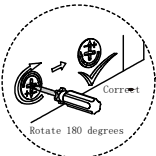
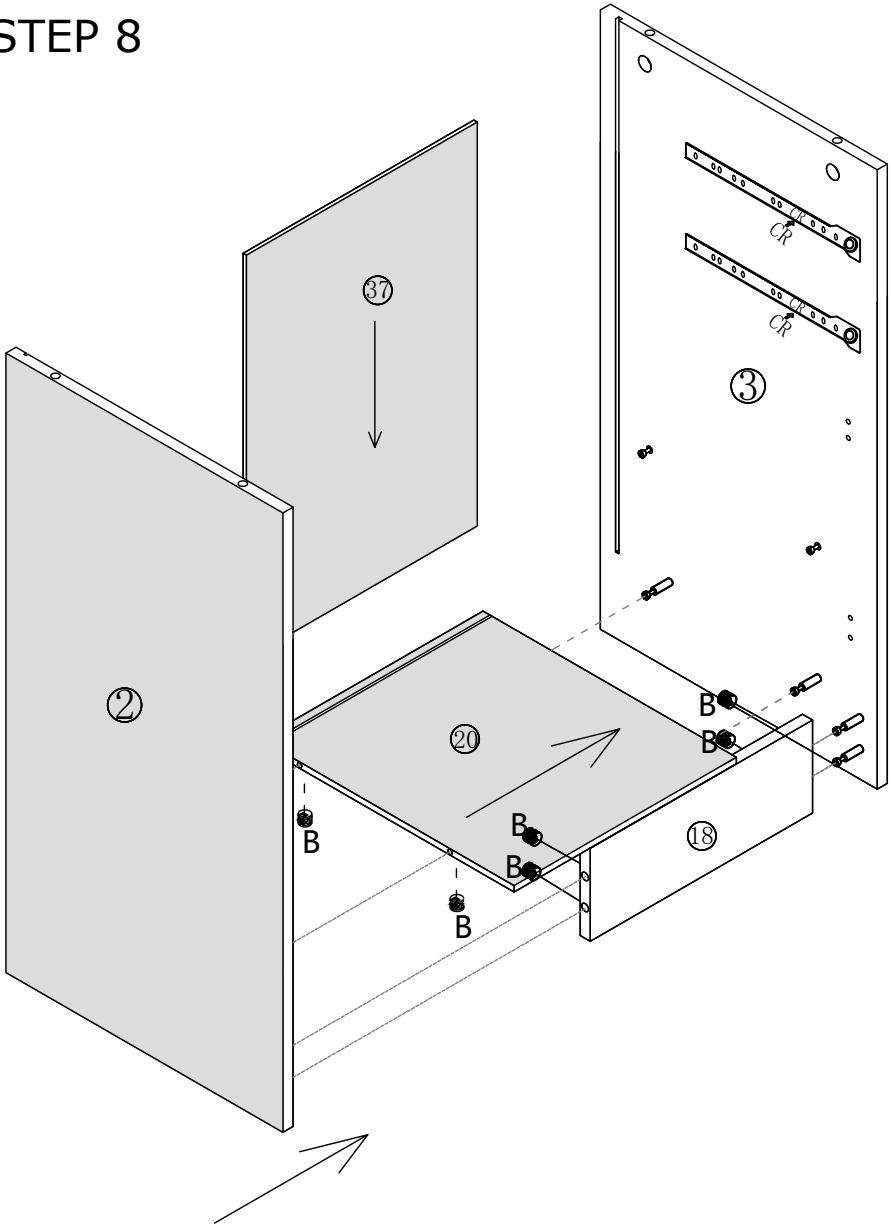
A  x8	B  x4
Q  x1	D  x2

# STEP 7

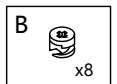


A x10	Y x4	M x4
CLx3	CRx2	D x10

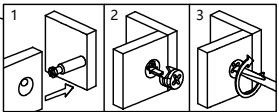
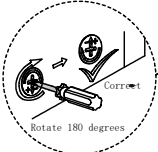
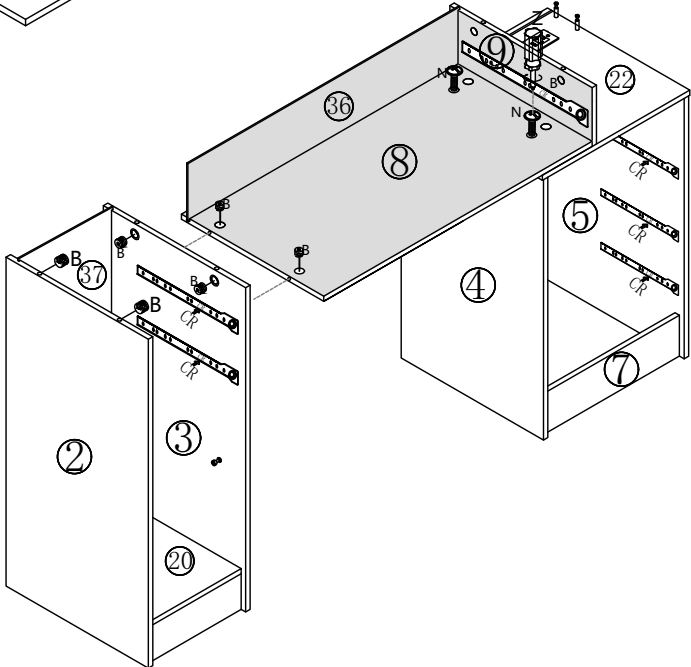
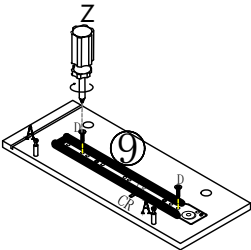
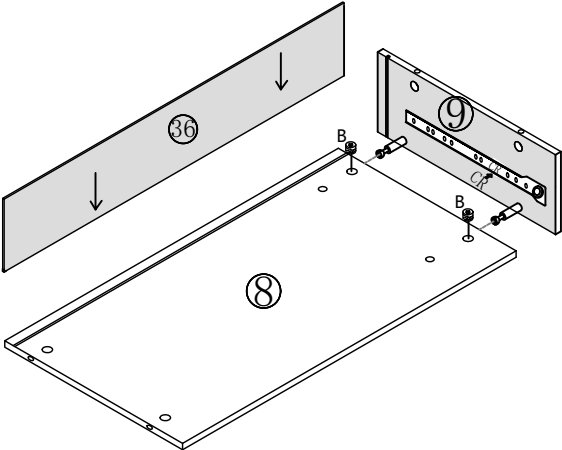
# STEP 8



12



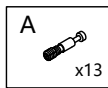
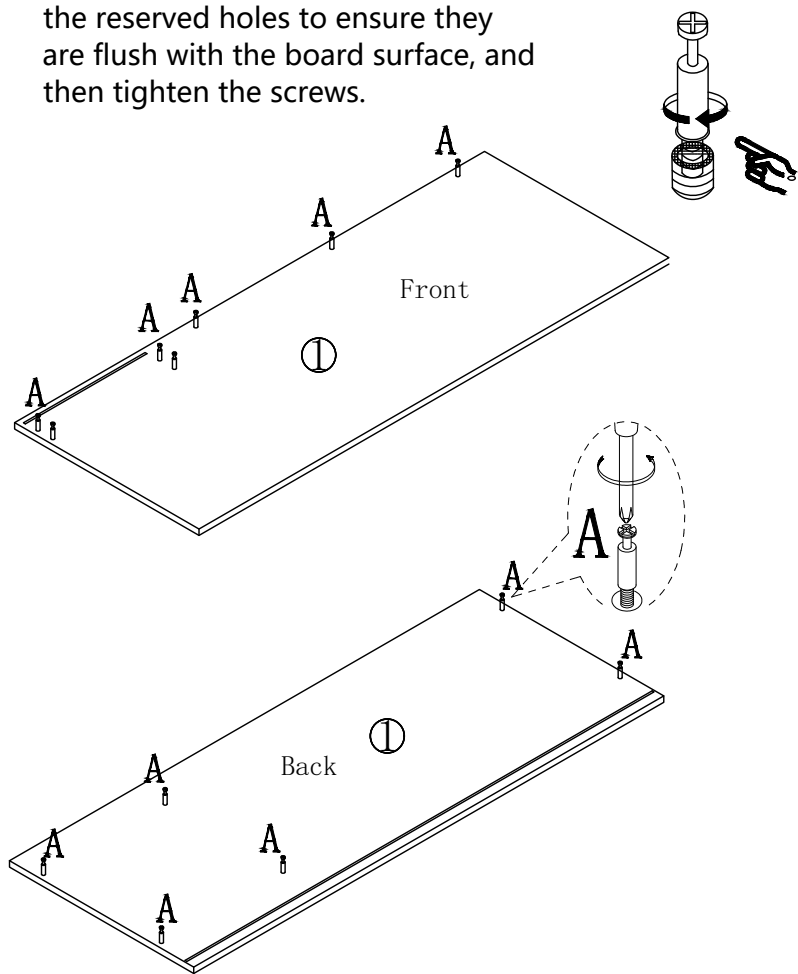
# STEP 9



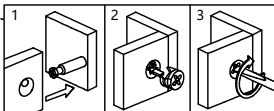
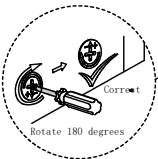
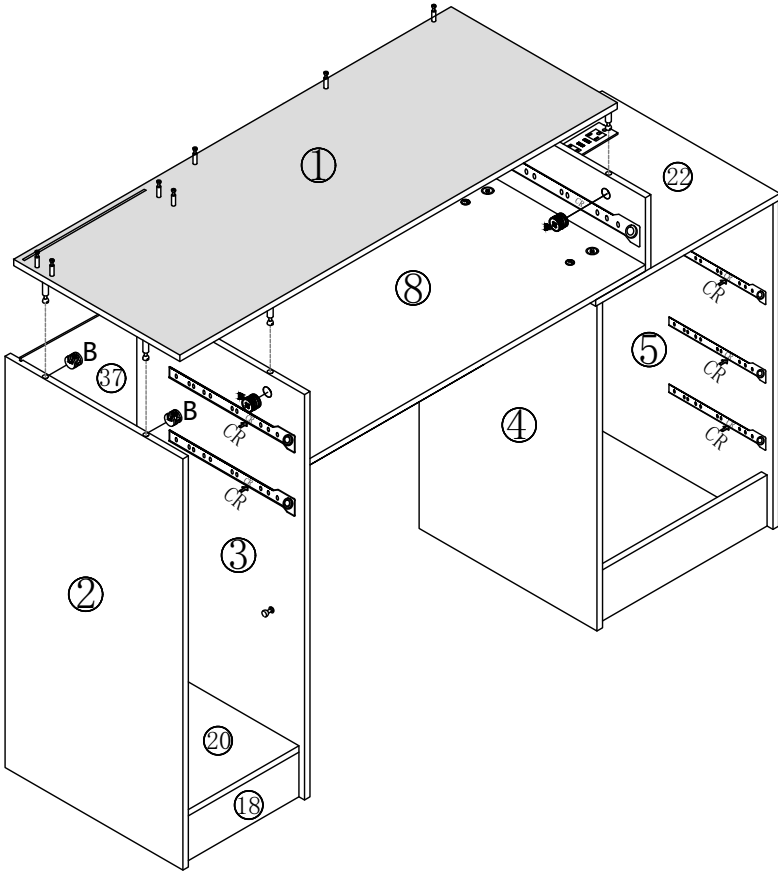
A		B	
x2		x4	
N		D	
x2		CRx1	
		x2	

# STEP 10

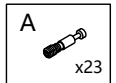
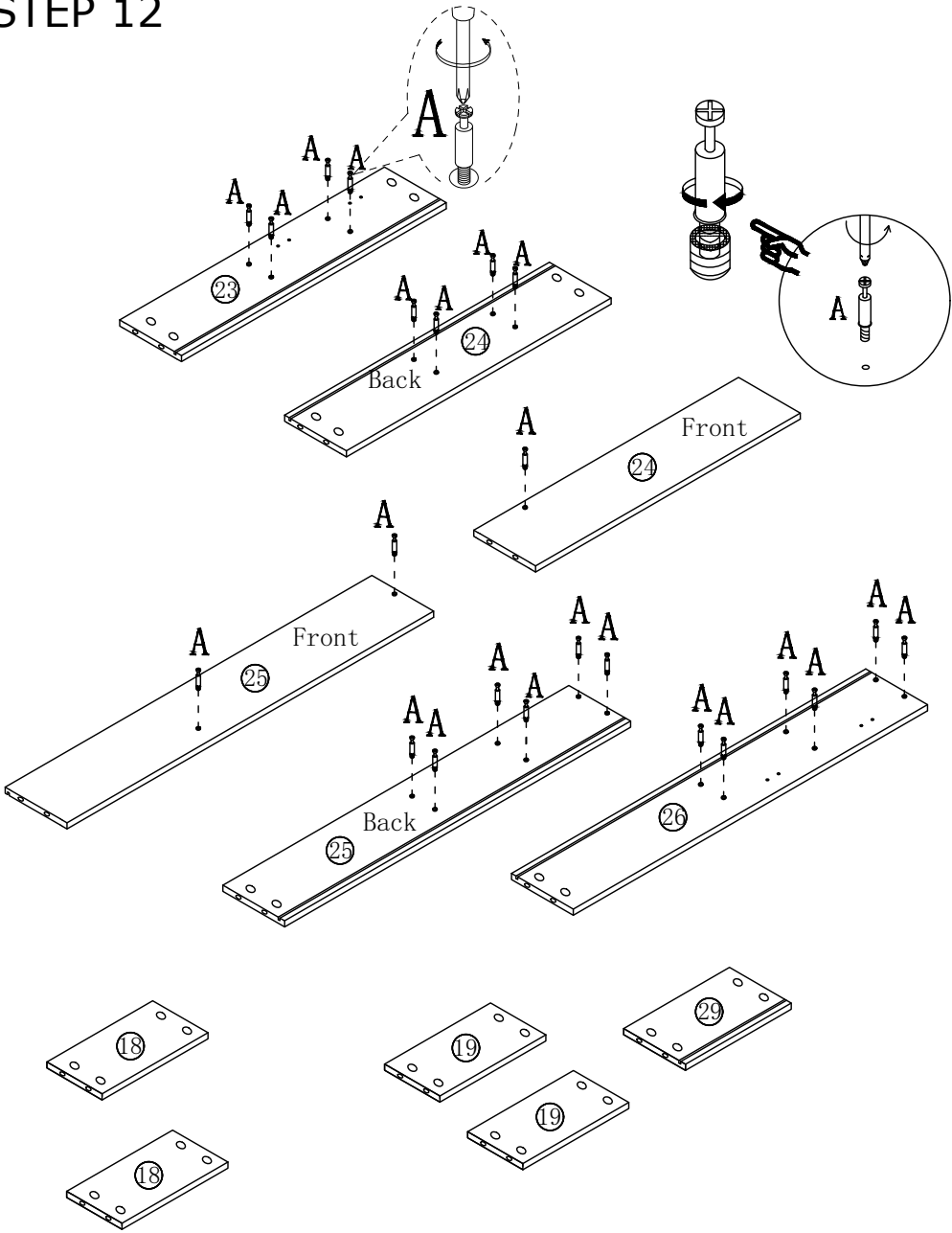
Place all the blue rubber sleeves into the reserved holes to ensure they are flush with the board surface, and then tighten the screws.



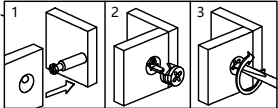
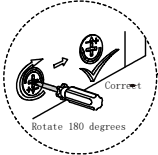
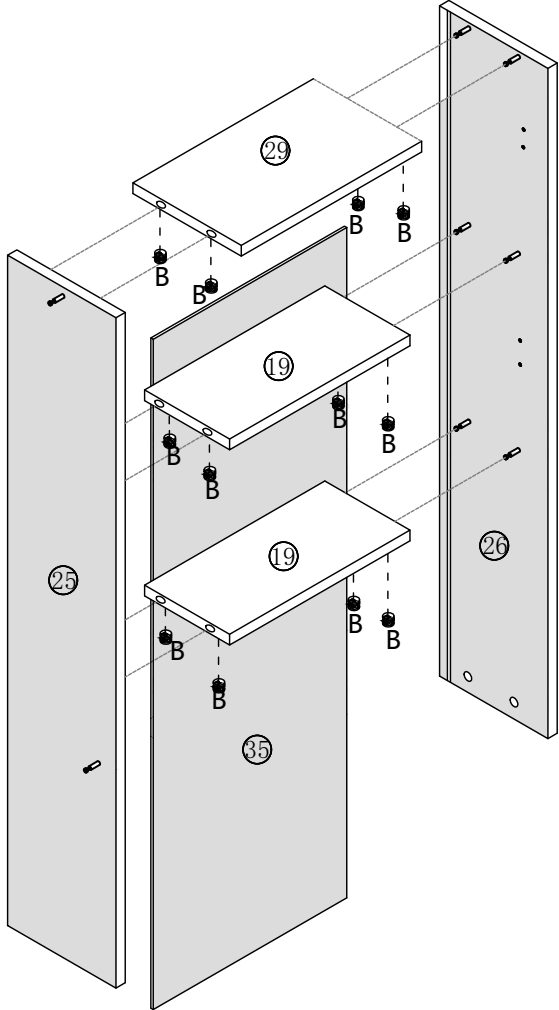
# STEP 11



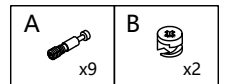
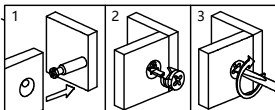
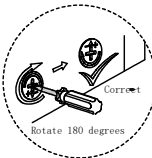
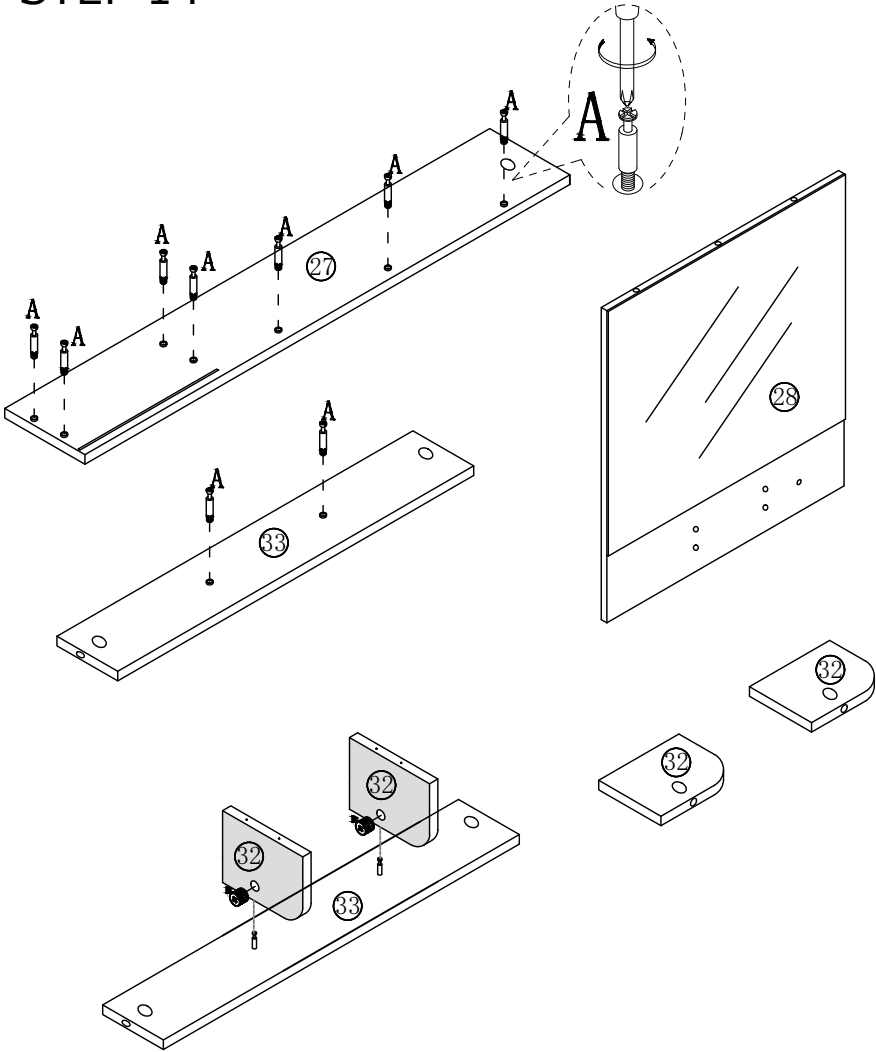
# STEP 12



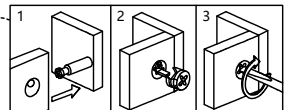
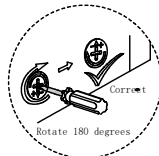
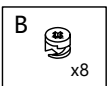
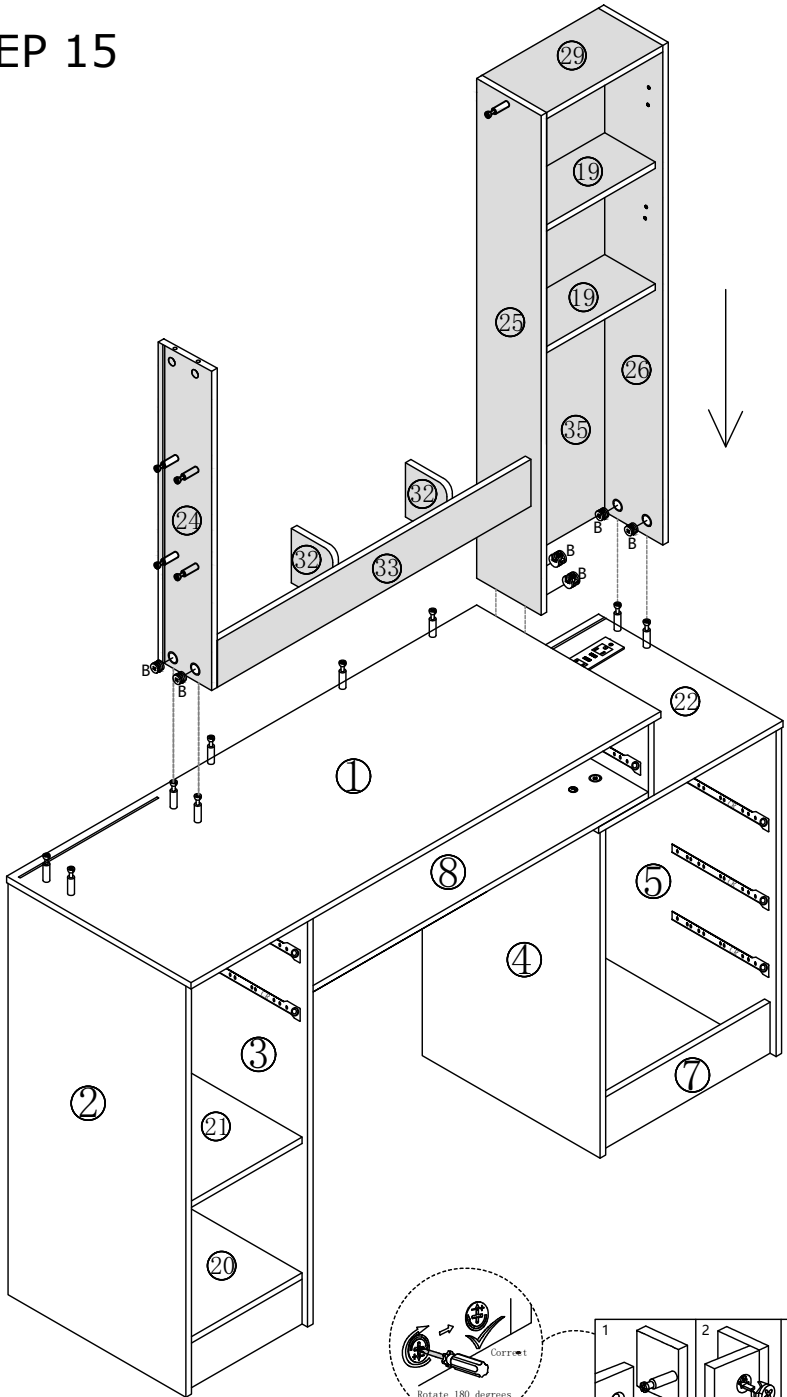
# STEP 13



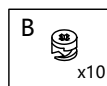
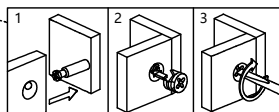
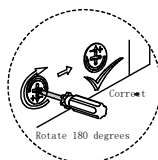
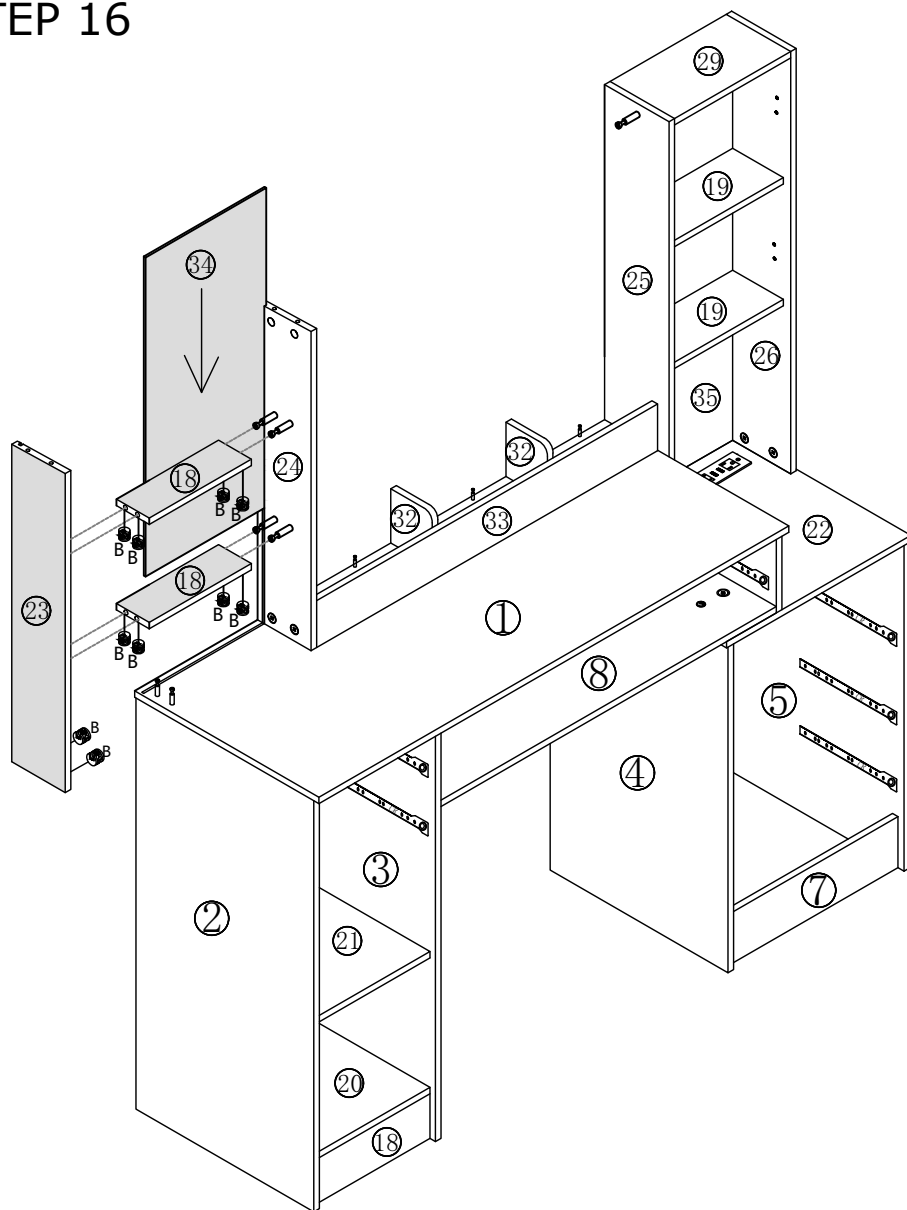
# STEP 14



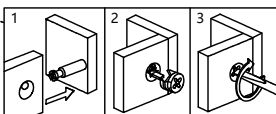
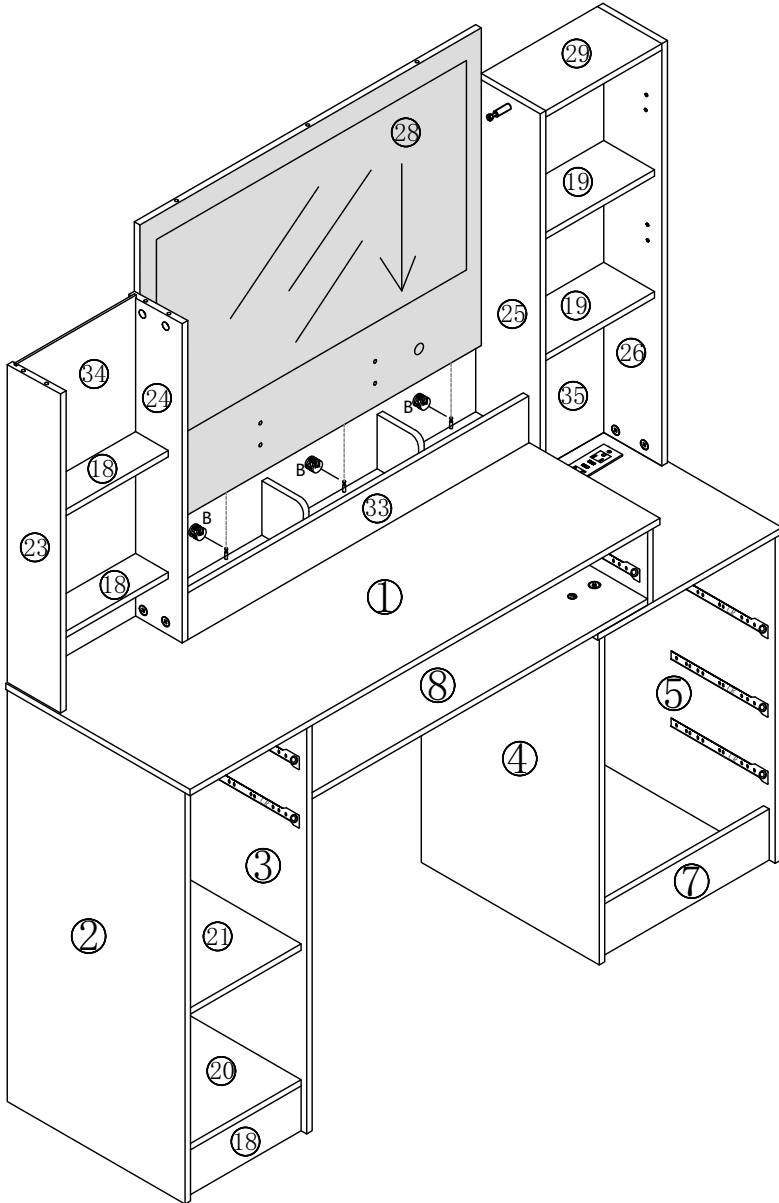
# STEP 15



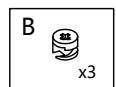
# STEP 16



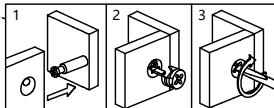
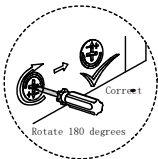
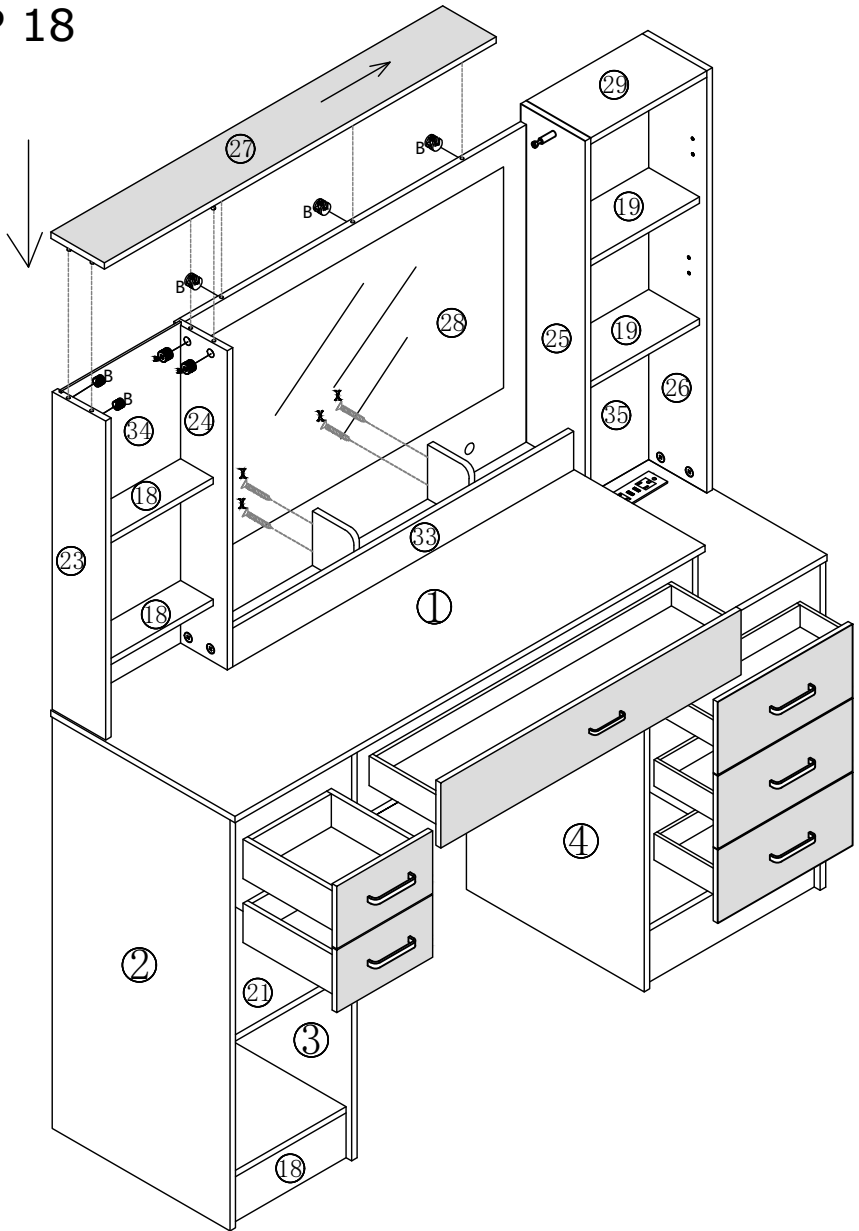
# STEP 17



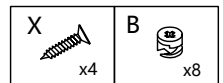
21



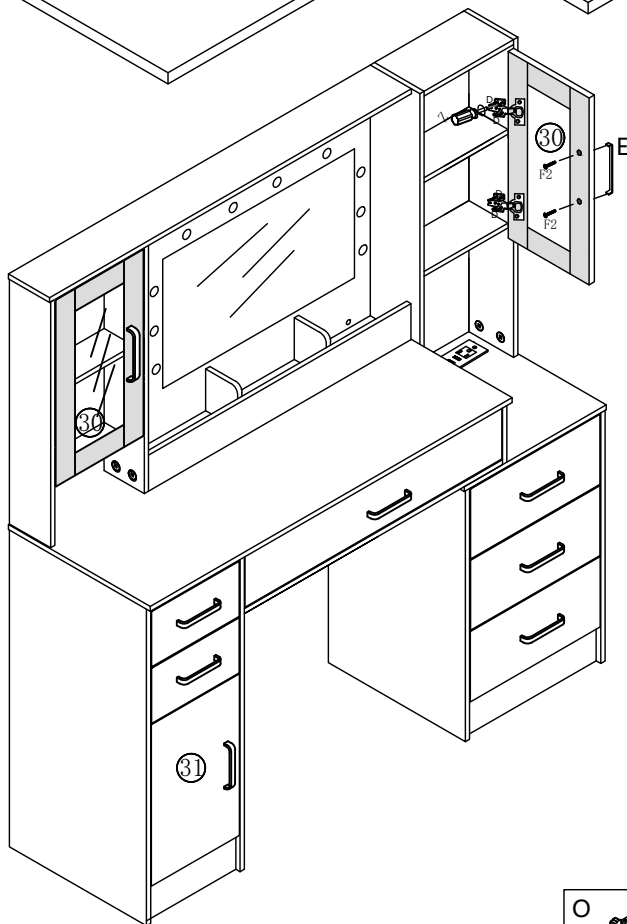
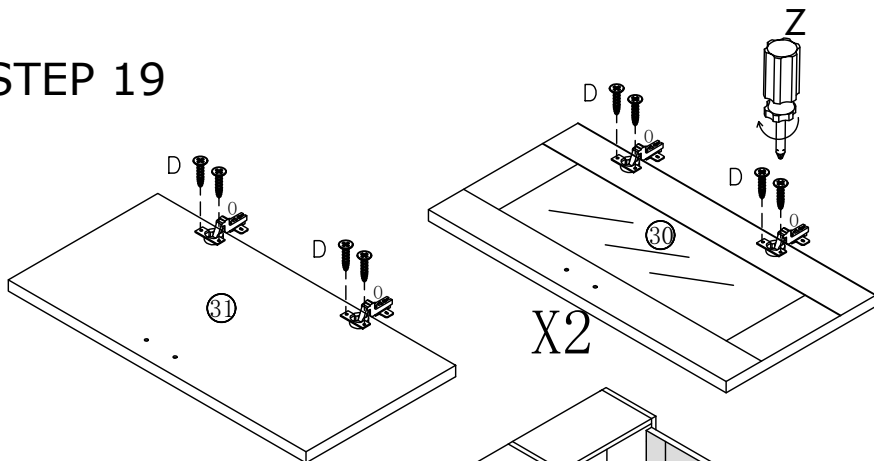
# STEP 18



22



# STEP 19



O x6	D x36
E x2	F2 x4