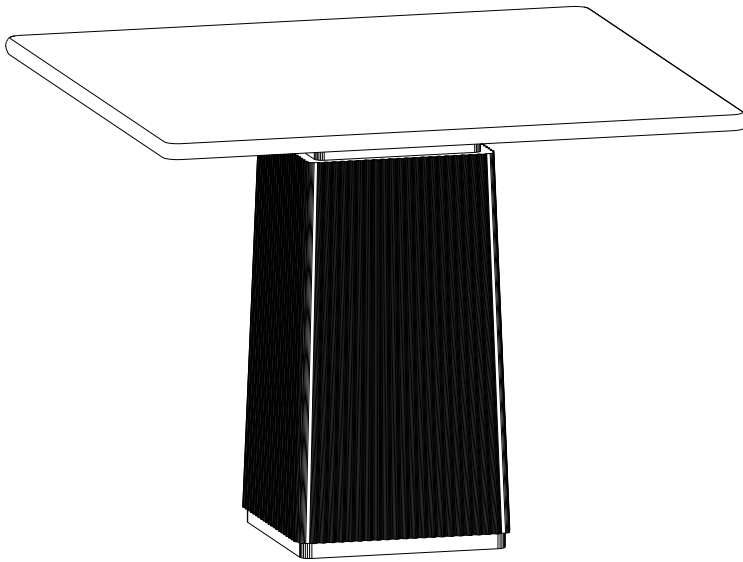



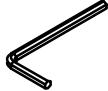




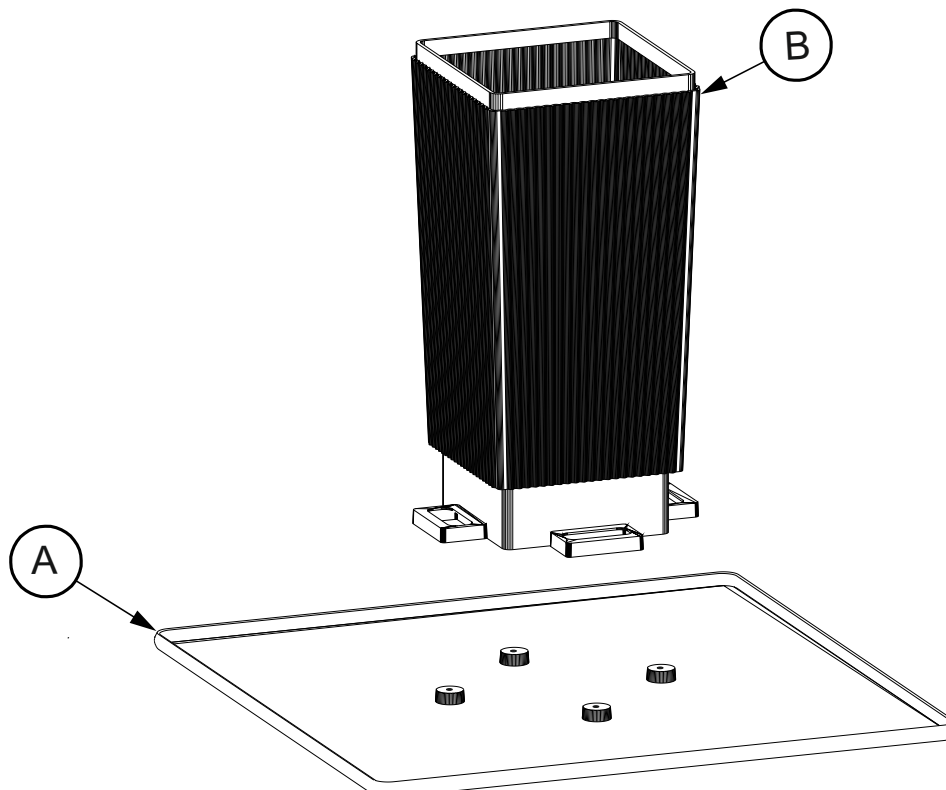
ASSEMBLY INSTRUCTION FOR

ALTHEA OUTDOOR DINING TABLE-38"

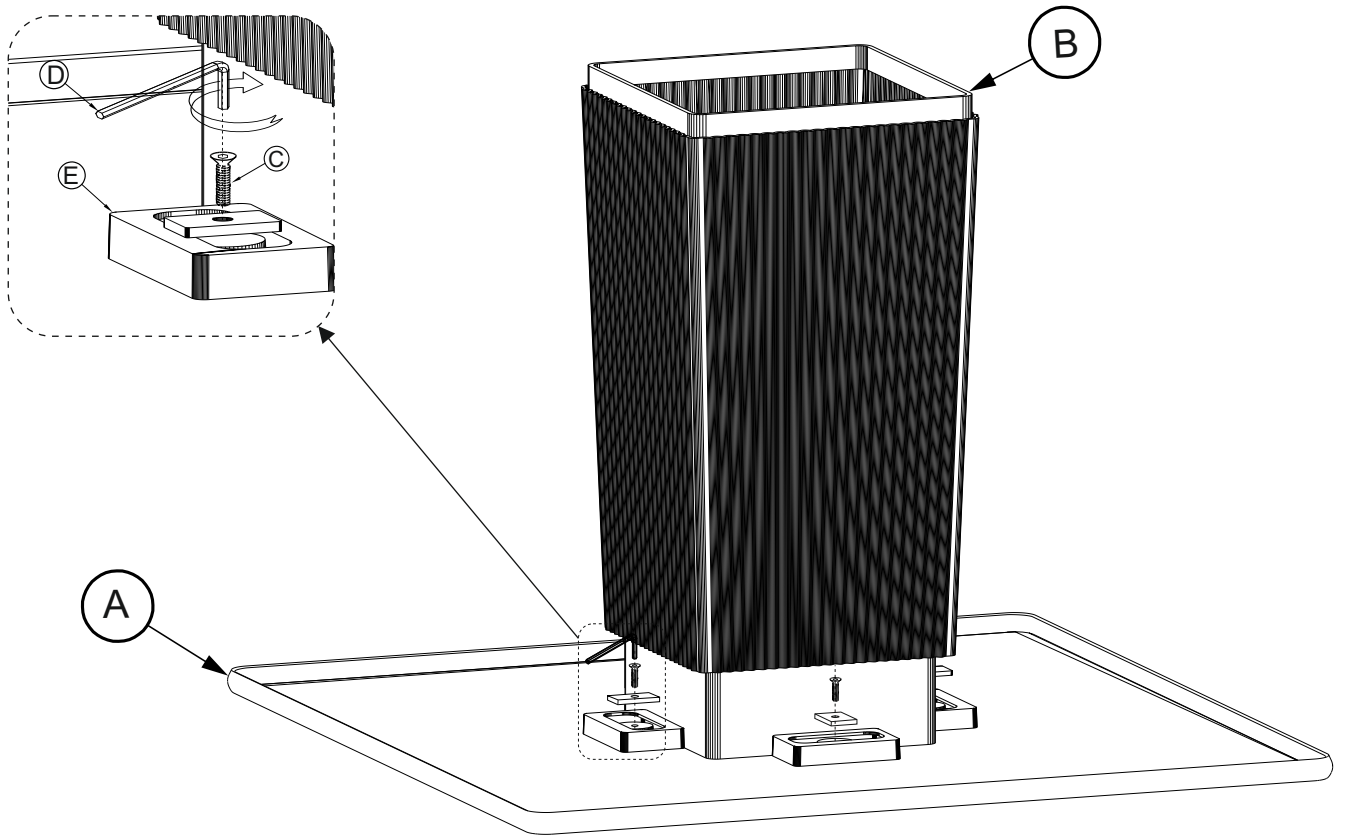


HARDWARE LIST				
A		Top	966 x 966 26 mm	1
B		Base	360 x 360 762 mm	1
C		Bolt	Ø17 x 30 mm	5
D		Allen key	80x30mm	1
E		Patti	51x32mm	4
F		Leveler	Ø20 X 8 30 mm.	4

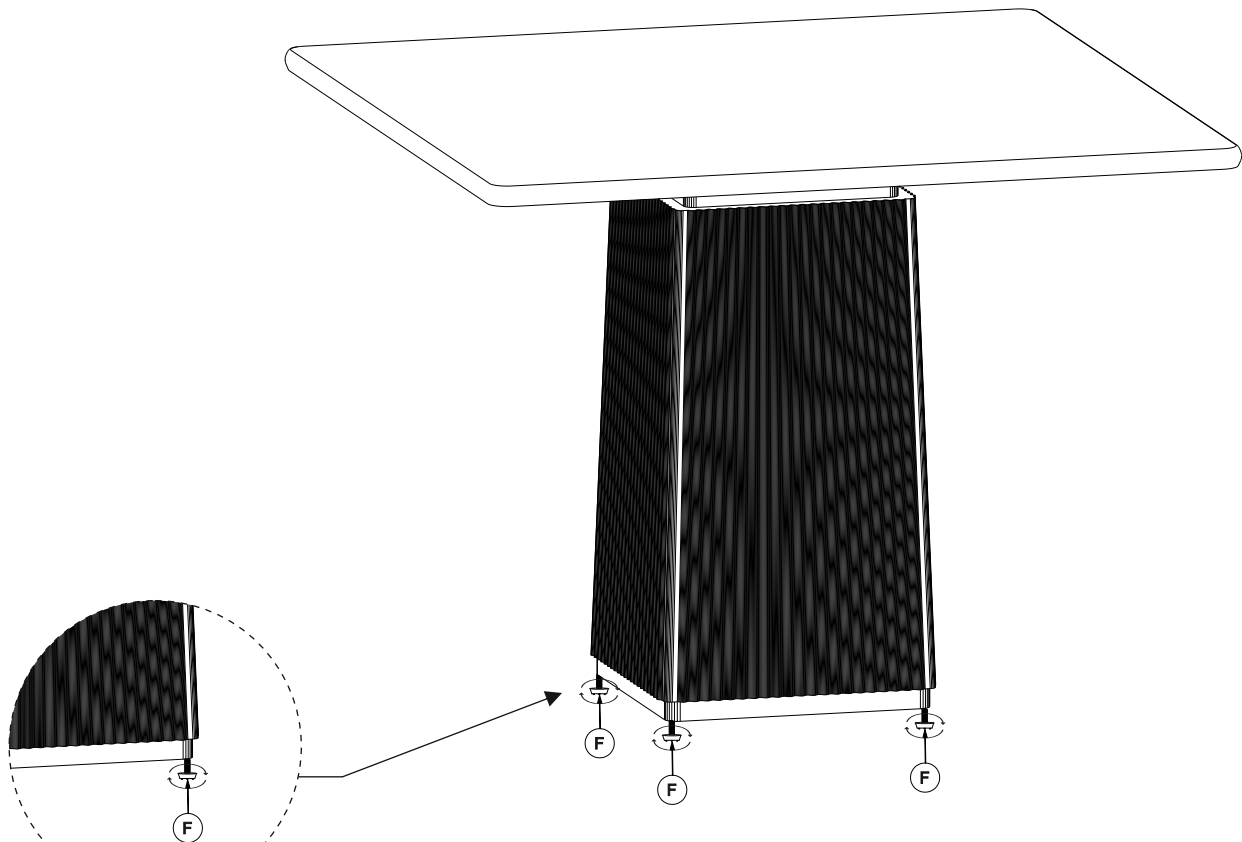
Step 1



Step 2



Step 3



ADJUSTABLE LEVELER FOR
BALANCE TOP