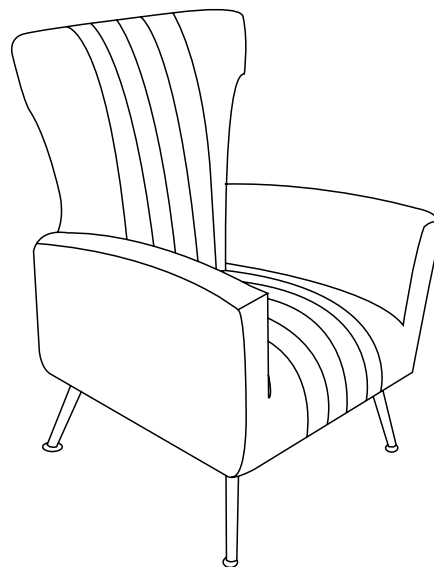


# Assembly Instructions

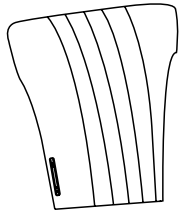
---



# ASSEMBLY INSTRUCTION

## PART LIST

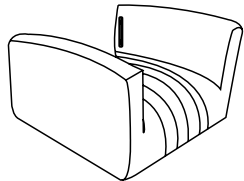
Ax1



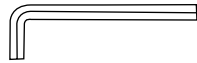
Dx16



Bx1



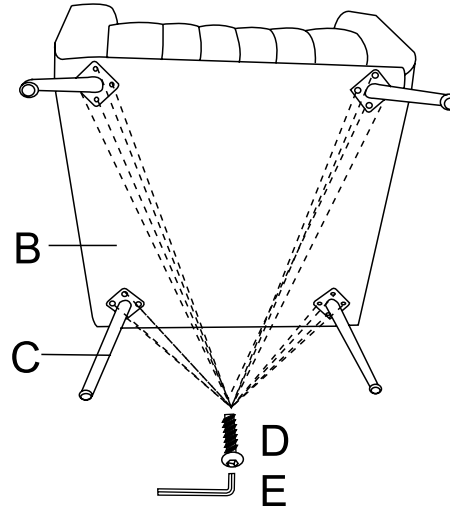
Dx1



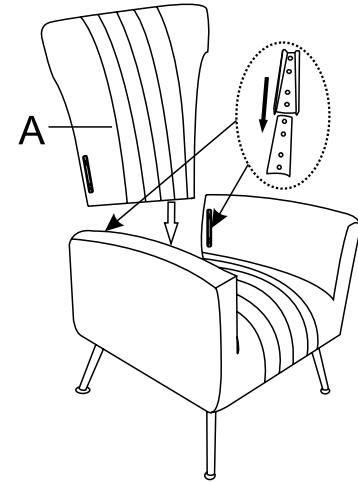
Cx4



1



2



3

