

**LEFTON**<sup>®</sup>  
INSTALLATION MANUAL

**Stainless Steel  
Multifunctional Kitchen Sink**

**KS2206L-PRO  
( Undermount Installation)**

# Congratulations on the purchase of your new Lefton Kitchen Sink!

Please keep the box and packaging materials until your product is completely installed. If you have any questions, require technical assistance, or have any problems with your product, please get in touch with our Customer Service at [customer@Leftonhome.com](mailto:customer@Leftonhome.com).

## Tools Required



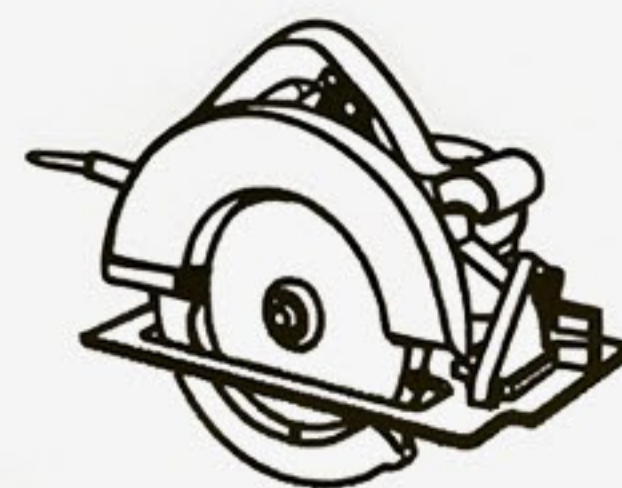
Safety Goggles



Drill



Epoxy



Saw



Adjustable Wrench



Tape Measure



Pencil



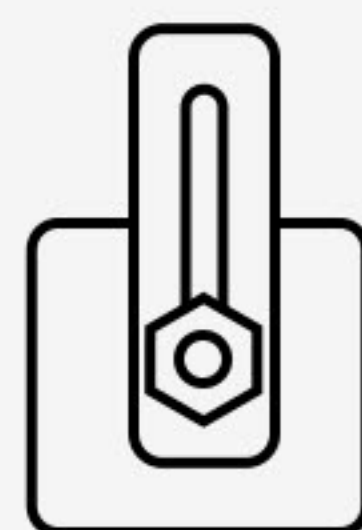
Gloves



Phillips Screwdriver



Pipe Tape

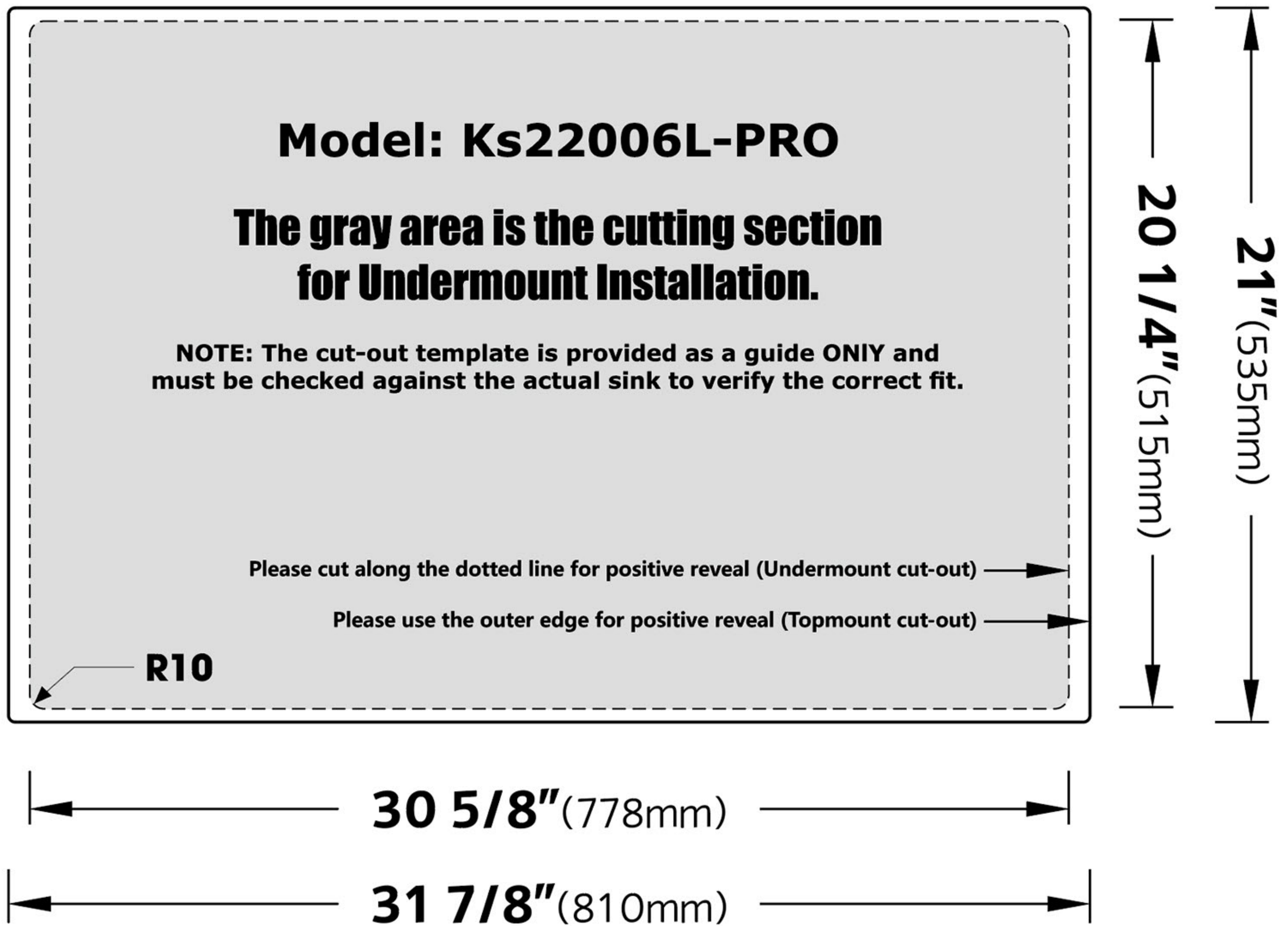


Mounting Brackets

**NOTE:** Specialized tools may be necessary to install LEFTON Stainless Steel Kitchen sinks with countertop materials other than wood, marble or granite.

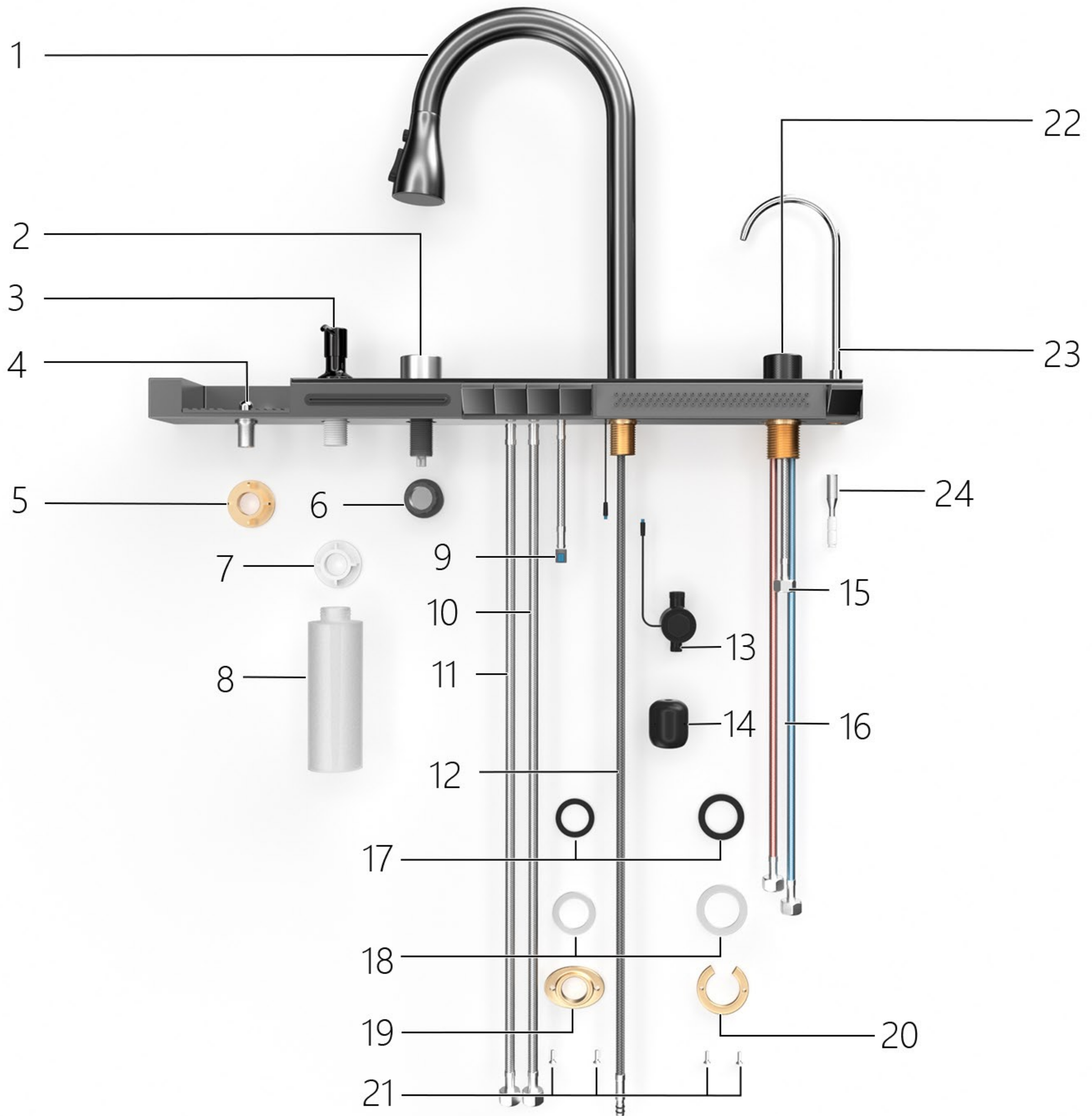
# Cut-Out Template

## KS22006L-PRO

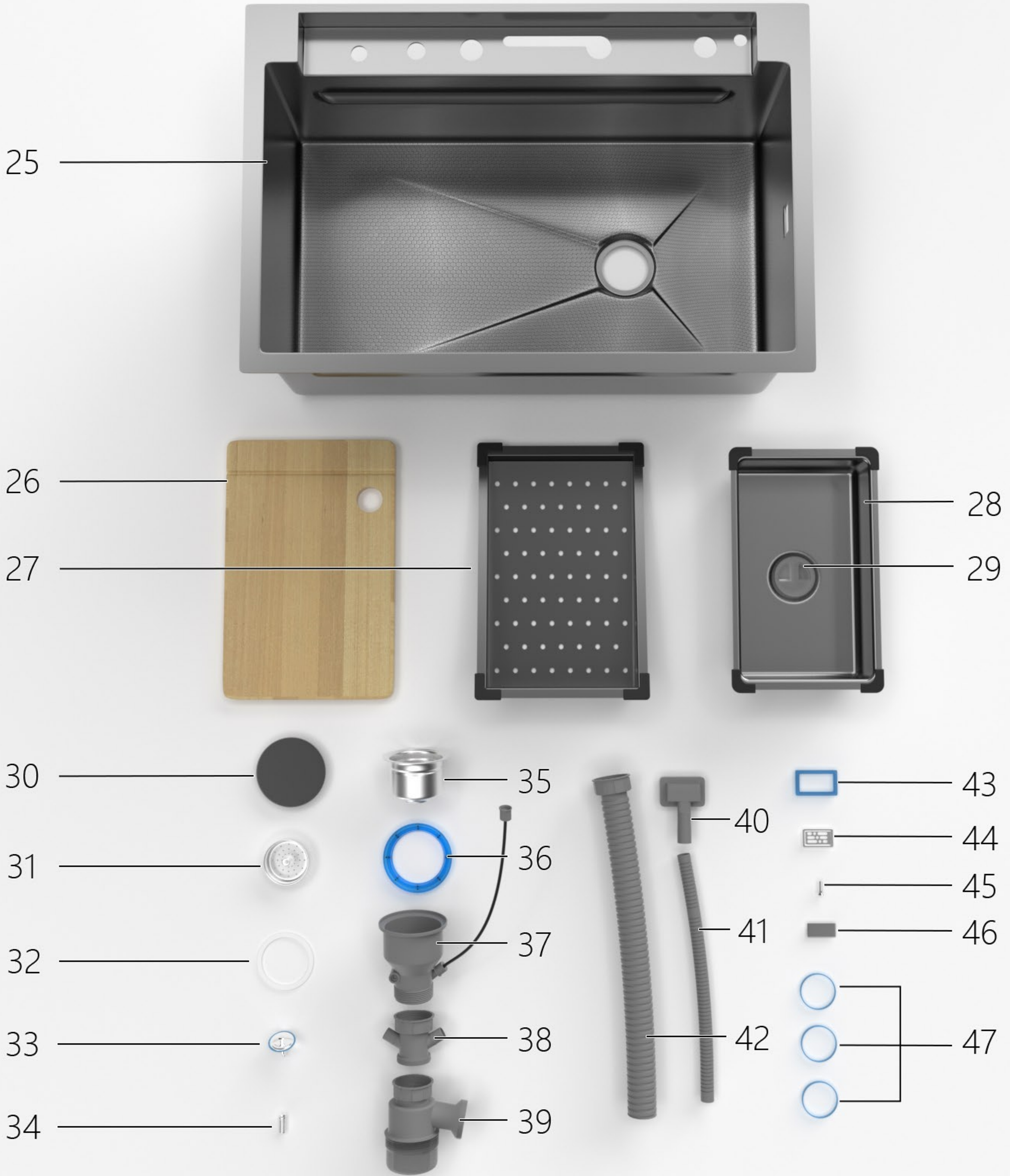


**NOTE:** Cut-out templates for sinks can be downloaded from our website.

# Parts List



- |                                   |                              |
|-----------------------------------|------------------------------|
| 1. Faucet                         | 13. Motor of Temp-Display    |
| 2. Drain Knob                     | 14. Hose Weight              |
| 3. Soap Dispenser                 | 15. Motor Hose               |
| 4. Glass Rinser                   | 16. Water Supply Hoses       |
| 5. Locking Nut for Glass Washer   | 17. Rubber Gaskets           |
| 6. Locking Nut for Drain Knob     | 18. Metal Gaskets            |
| 7. Locking Nut for Soap Dispenser | 19. Mounting Nut for Faucet  |
| 8. Bottle for Soap Dispenser      | 20. Mounting Nut for Knob    |
| 9. Quick-Connect Hose             | 21. Bolts                    |
| 10. Motor Hose                    | 22. Temperature Control Knob |
| 11. Glass Washer Hose             | 23. Water Purifier Faucet    |
| 12. Pull-Out Hose                 | 24. Water Purifier Connector |



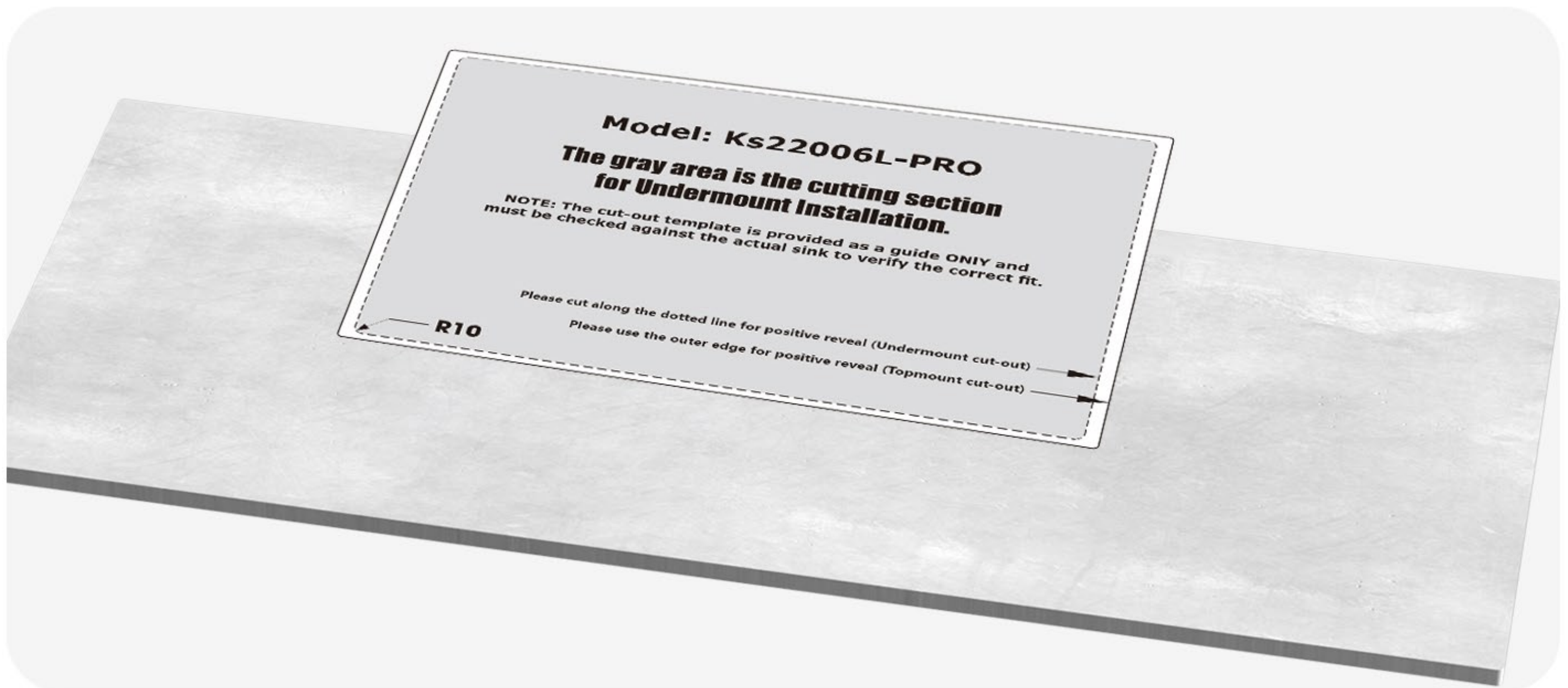
- 25. Sink Bowl
- 26. Cutting Board
- 27. Drain Basket
- 28. Metal Tray
- 29. Cover for Metal Tray
- 30. Drain Hole Cover
- 31. Strainer Basket
- 32. White Gasket
- 33. Drain Control Sealing Cover
- 34. Drain Housing Screw
- 35. Strainer
- 36. Rubber Hasket

- 37. Drain Housing
- 38. Dishwasher Drain Connector
- 39. Bottle Trap
- 40. Overflow Head
- 41. Overflow Pipe
- 42. Drain Pipe
- 43. Overflow Gasket
- 44. Overflow Plate
- 45. Overflow Screw
- 46. Overflow Cover
- 47. Drain System Gaskets

## Undermount Installation (Flush/Zero Reveal)

### Step 1. Position template

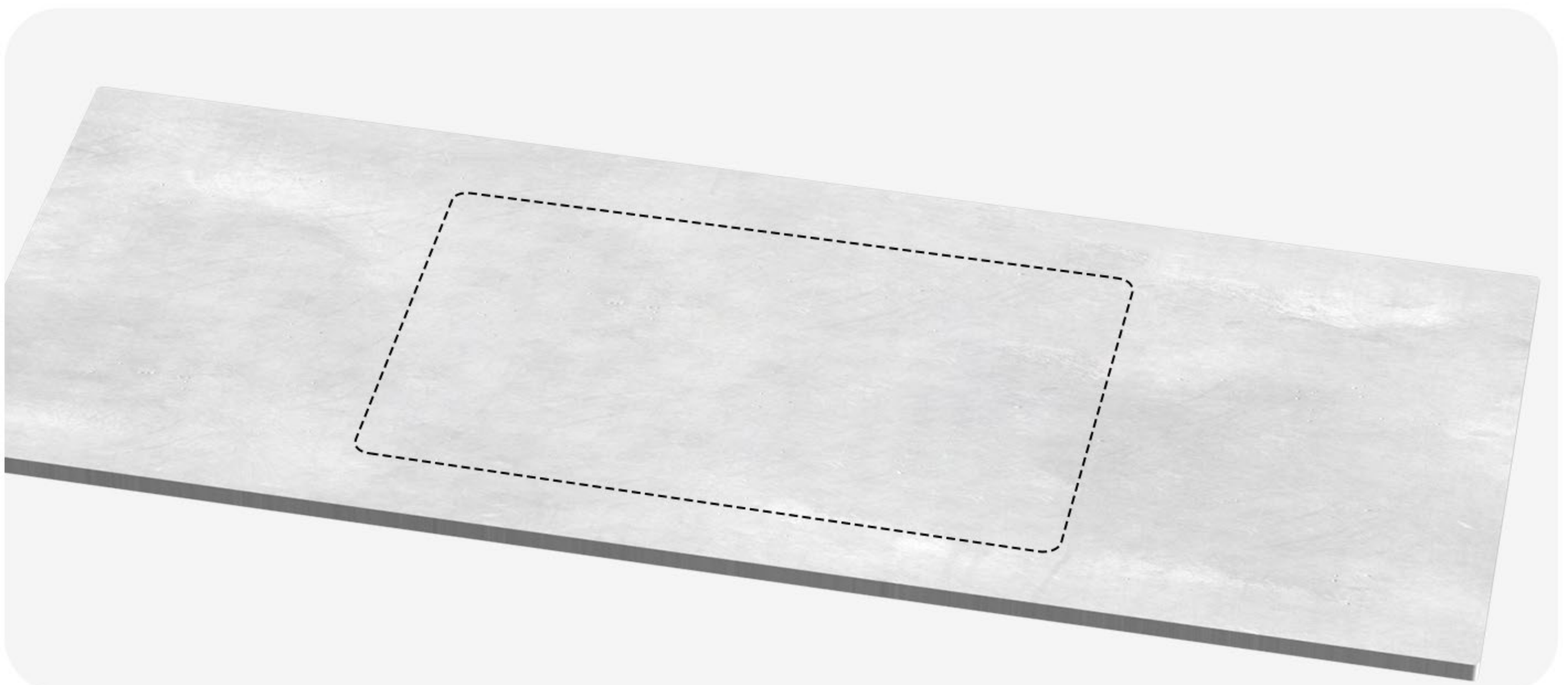
- Check the cut-out template against the actual sink to ensure a proper sized cut-out.
- Place the cut-out template in the desired location on the countertop.



**NOTE:** Make sure clearance is suitable for backsplash, faucet and plumbing for the sink.

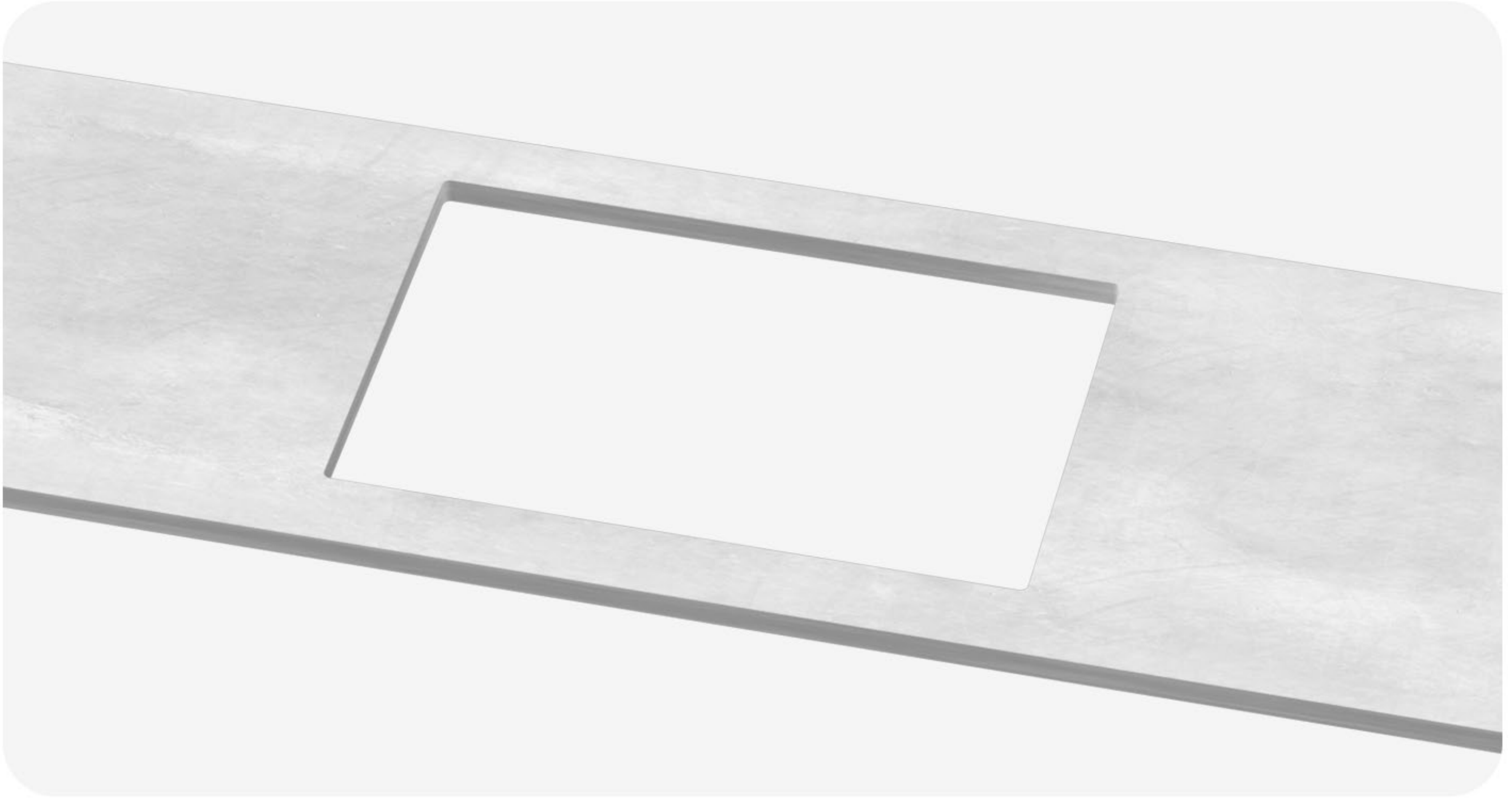
### Step 2. Trace Template

- Trace the template on the countertop with a pencil.
- The gray area is the cutting section.



### Step 3. Cut countertop

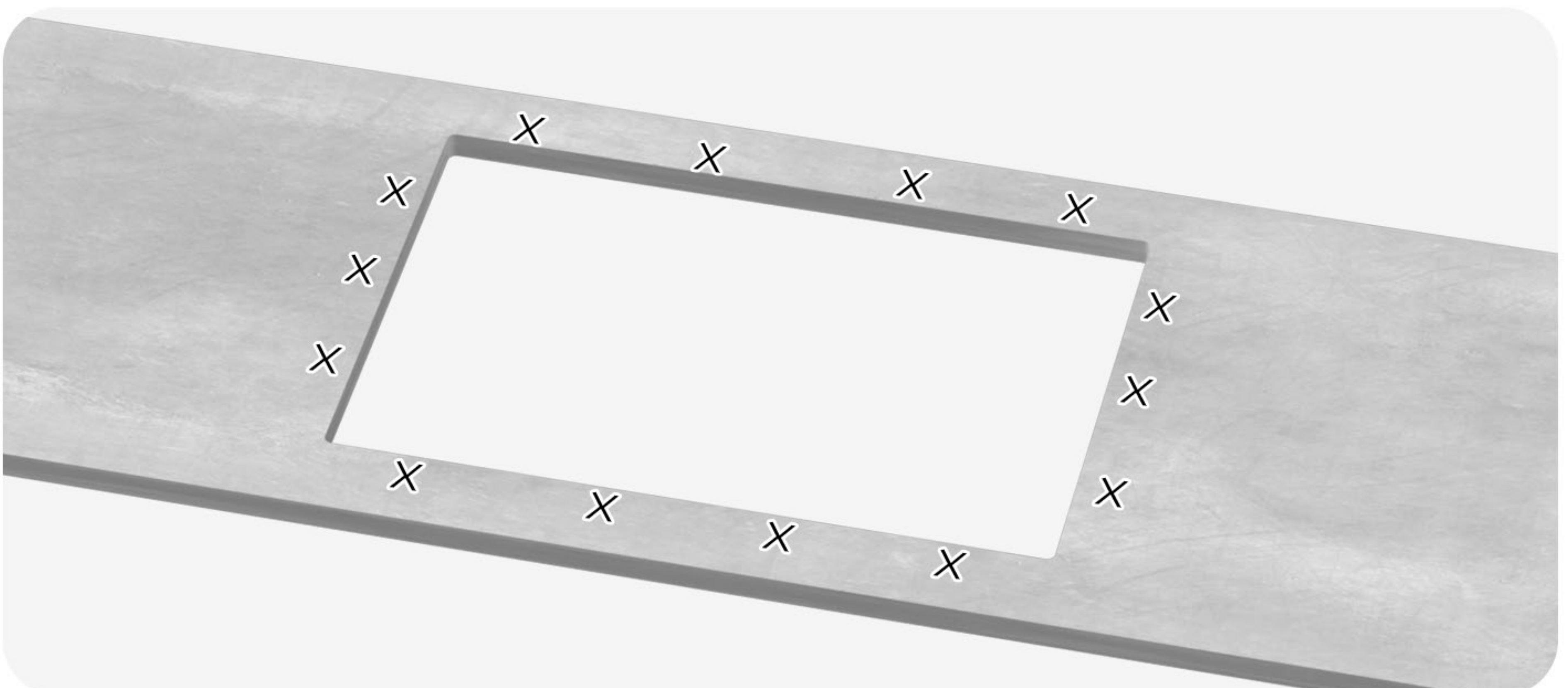
- Cut the opening in the countertop by carefully following the traced line.
- The diameter of all round holes is 1 3/8" (35mm).



**NOTE:** Please use the appropriate saw that best fits your countertop material.

### Step 4. Position Mounting Brackets

- Flip the countertop so the underside is facing up.
- Determine locations for mounting brackets.
- Number of mounting brackets: 14 pcs.



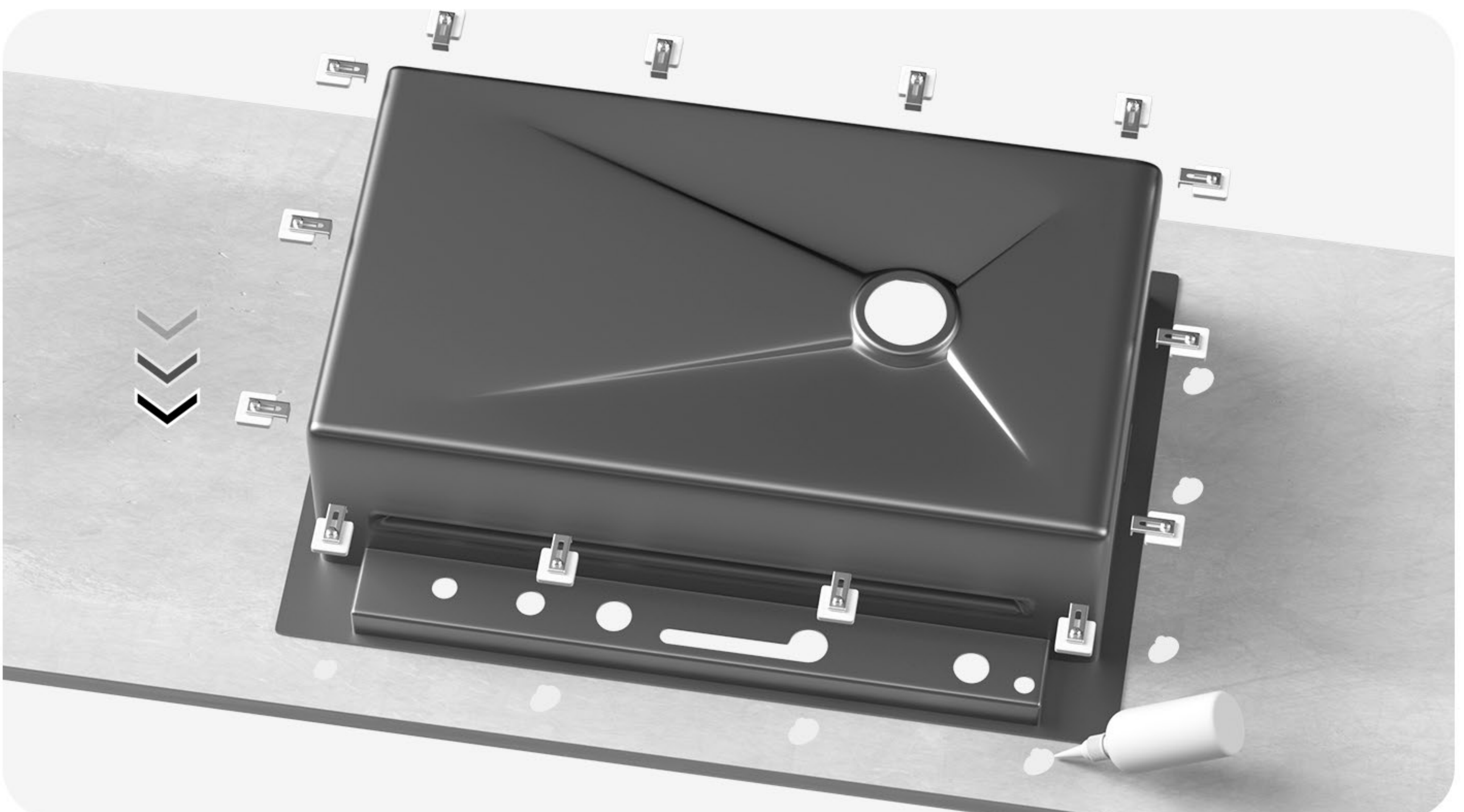
## Step 5. Secure the sink to the countertop

- Clean the underside of the countertop and the top rim of the sink.
- Use a bead of epoxy (or preferred adhesive) around the rim of the sink and then align the sink on the counter.
- Press the sink firmly and remove excess epoxy from the inside lip.



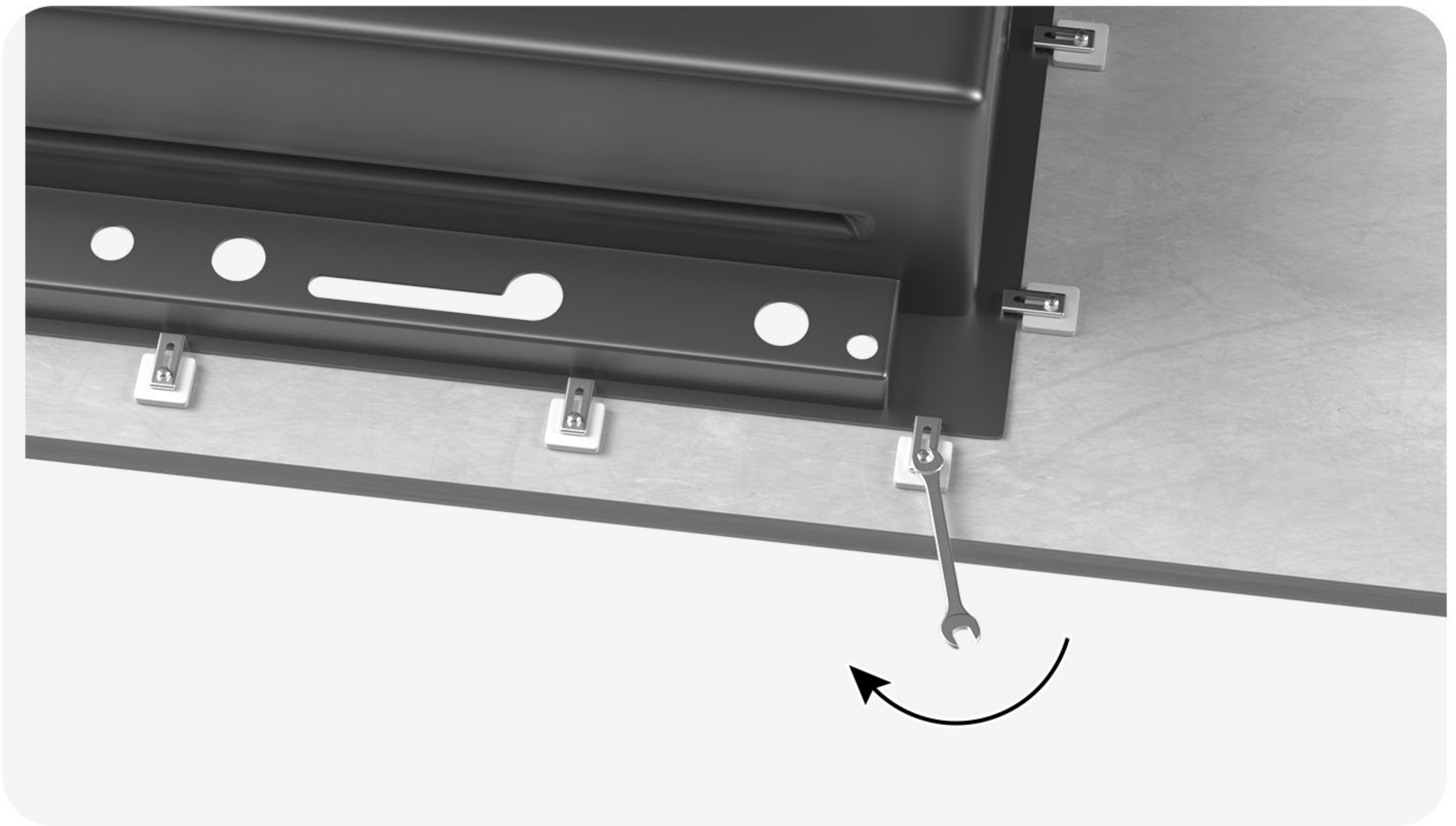
## Step 6. Attach Mounting Brackets

- Use a bead of epoxy (or preferred adhesive) on the bracket locations.
- Attach mounting brackets to secure the sink.



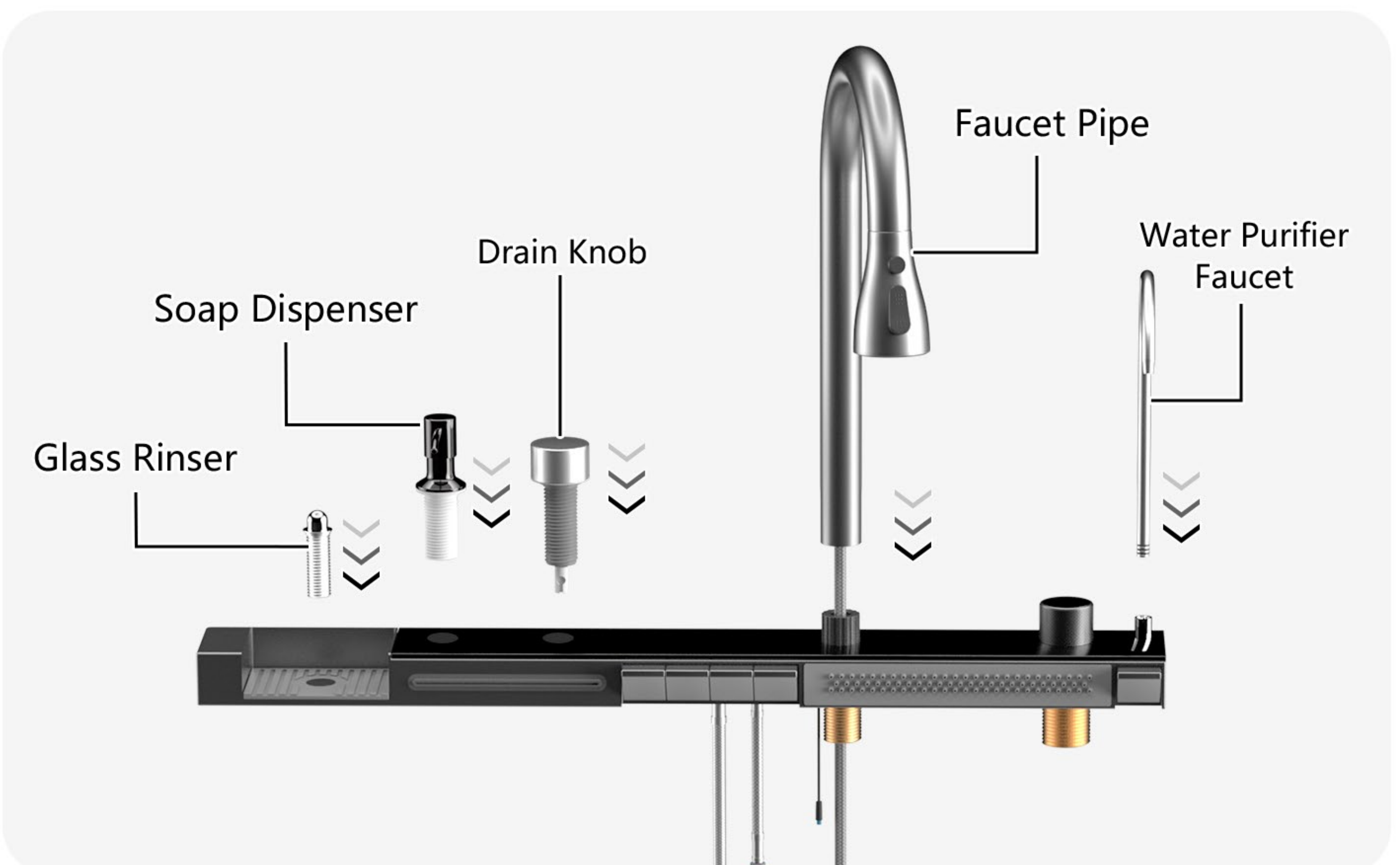
## Step 7. Tighten Mounting Brackets

- After the glue is completely cured, use a wrench to tighten brackets evenly.
- Turn the countertop and sink face up.



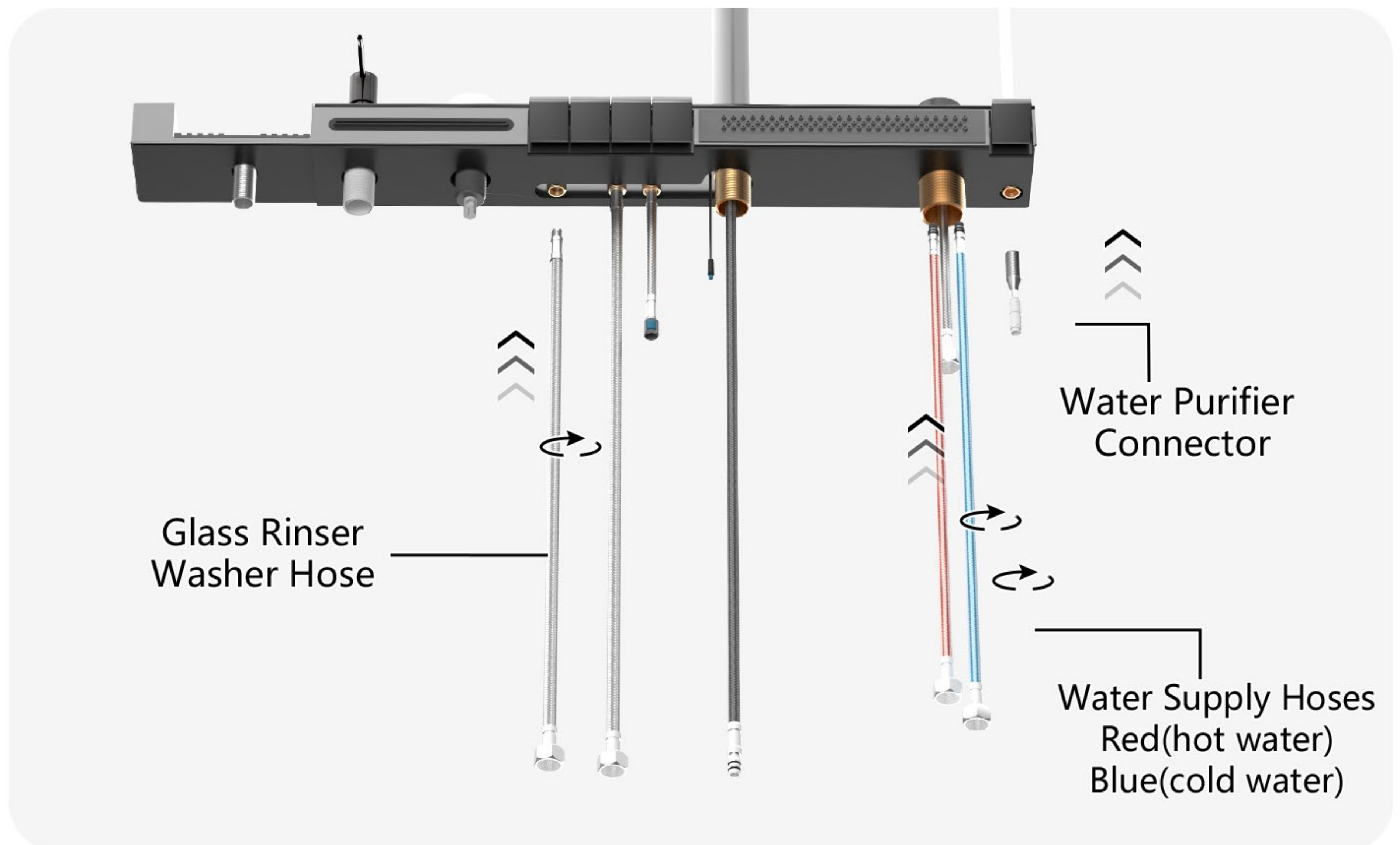
## Step 8. Install the All-In-One Faucet Accessories

- Disassemble the fixed accessories from the faucet section. Install each part in its corresponding position as shown.



## Step 9. Install Supply Hoses and connector

- Install the hoses and the water purifier connector as shown.



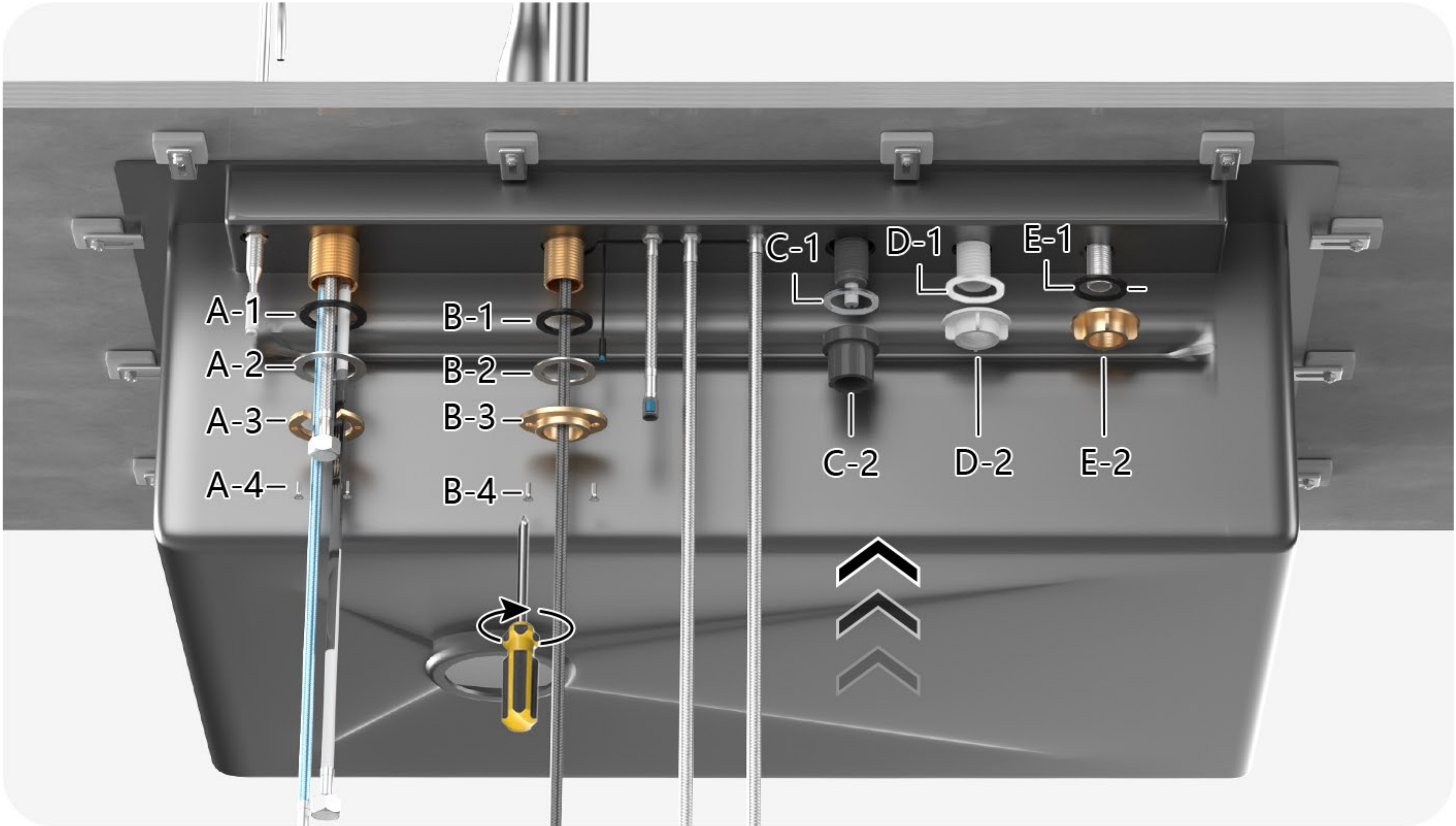
## Step 10. Insert the All-In-One Faucet

- Place the all-in-one faucet into the corresponding hole on the sink.



## Step 11. Secure All Accessories

- Install the accessories onto every part in the correct order as shown, and tighten the bolts with a Phillips screwdriver.



## Step 12. Install the Temperature Display Motor

- Install the motor of the temperature display as shown and tighten it with a wrench. Connect the motor cable.



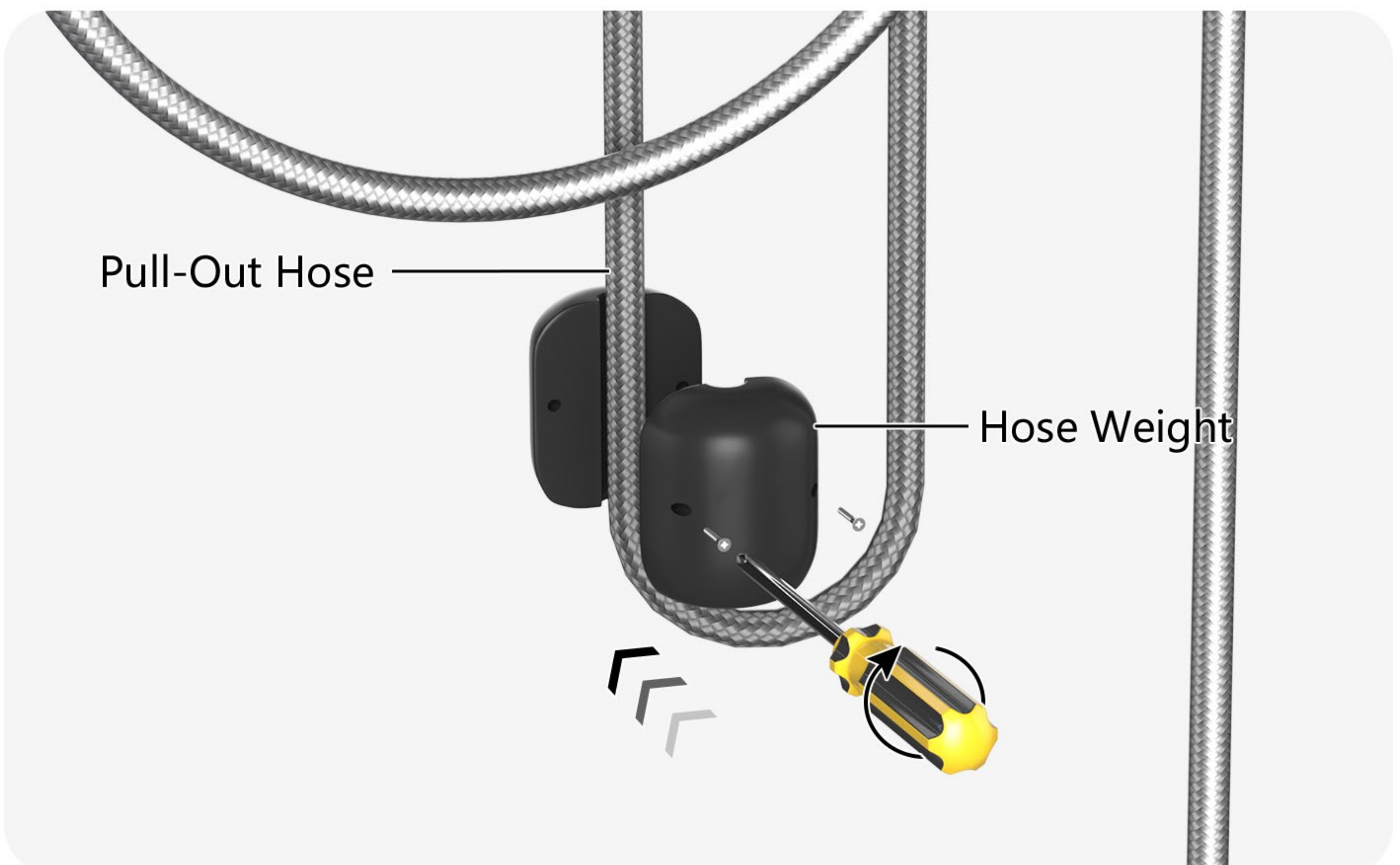
## Step 13. Install the Pull-Out Hose

- Insert the pull-out hose into the motor hose and hear a “click” to indicate that the installation is complete.



## Step 14. Install the Hose Weight

- Disassemble the hose weight. Install it to the pull-out hose to facilitate smooth retraction and secure it with a wrench.



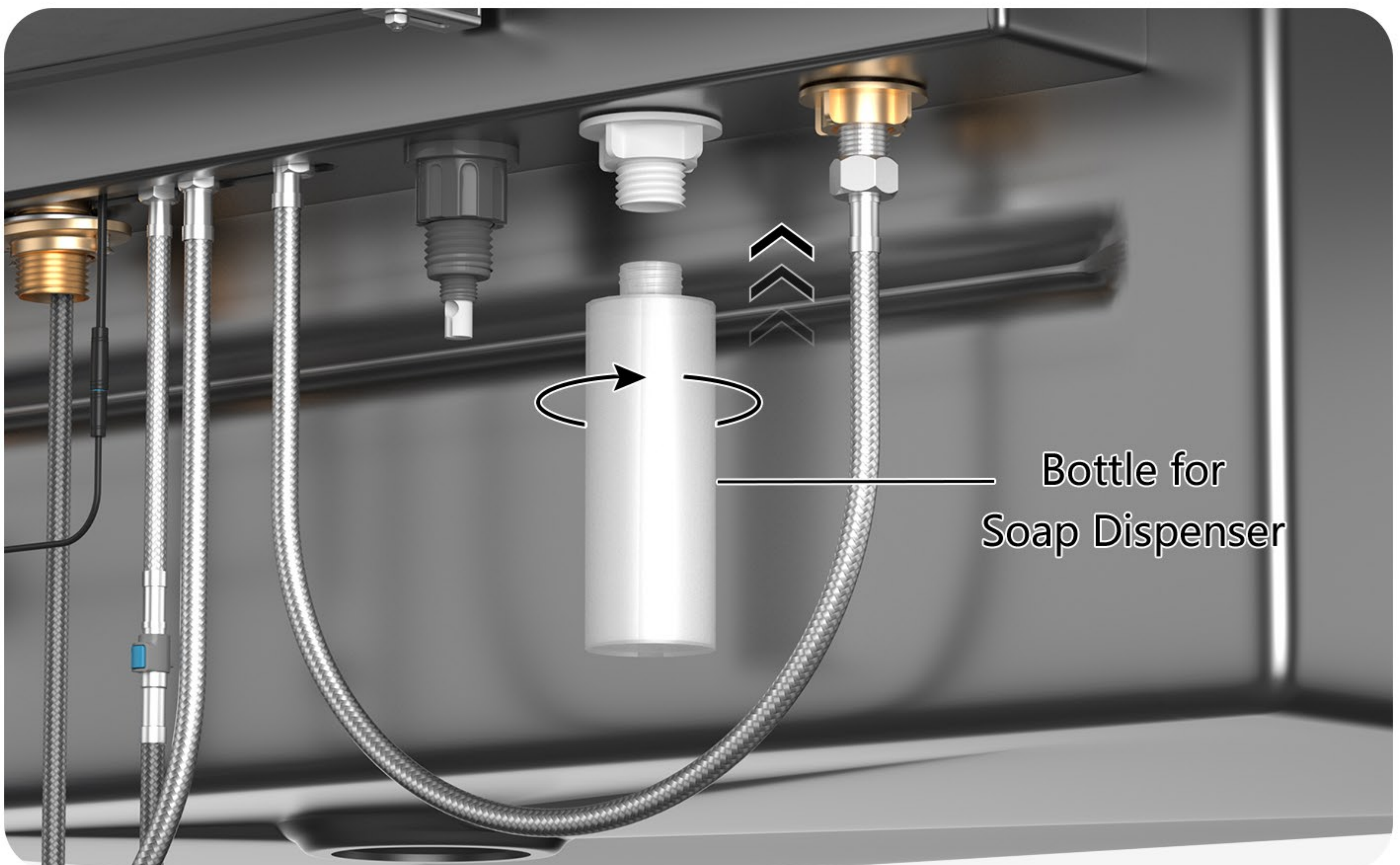
## Step 15. Install the Glass Washer Hose

- Connect the glass washer hose to the interface and tighten it with a wrench.



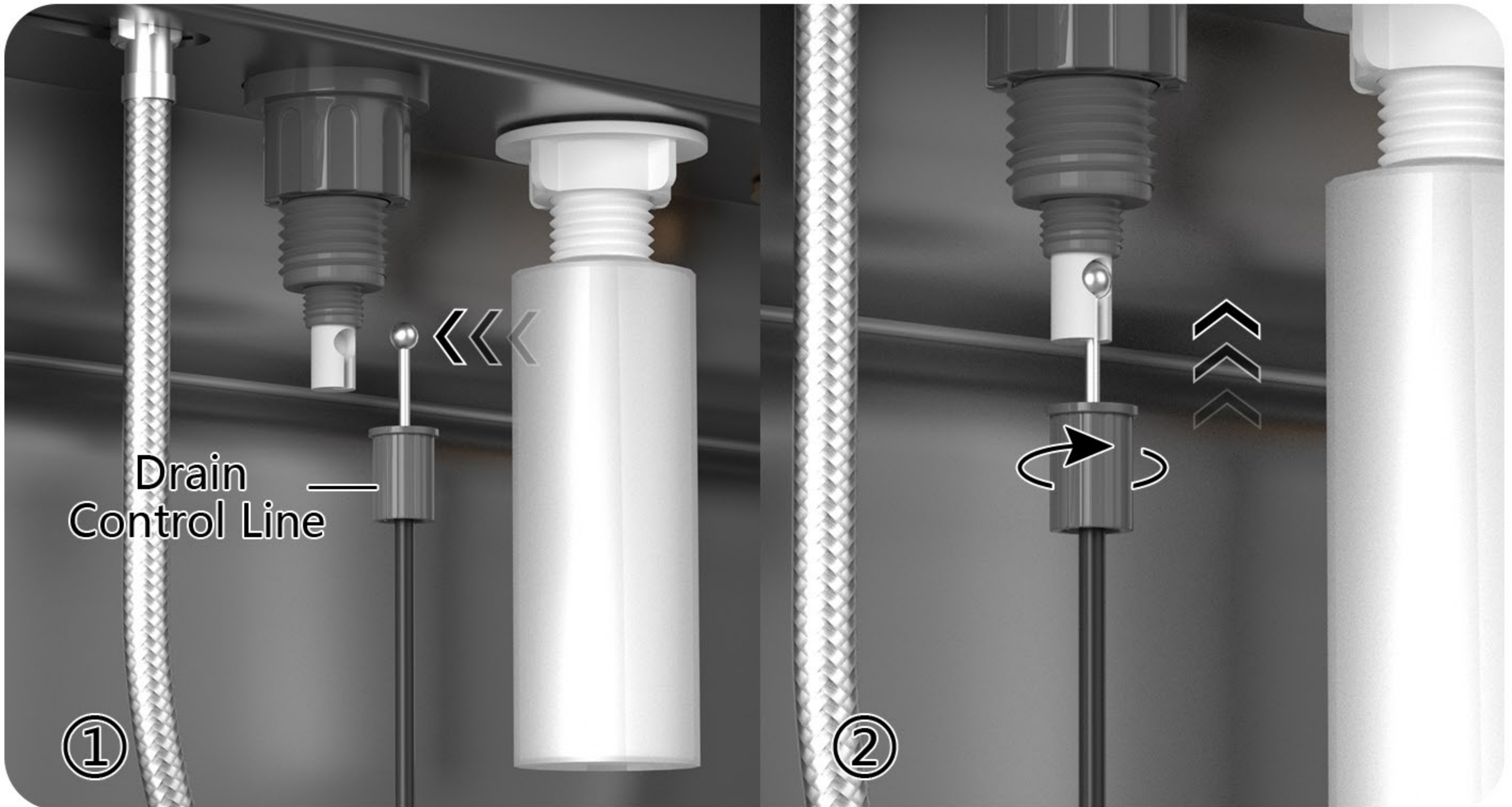
## Step 16. Install the Bottle for Soap Dispenser

- Install the bottle onto the threaded opening of the soap dispenser by turning it clockwise.



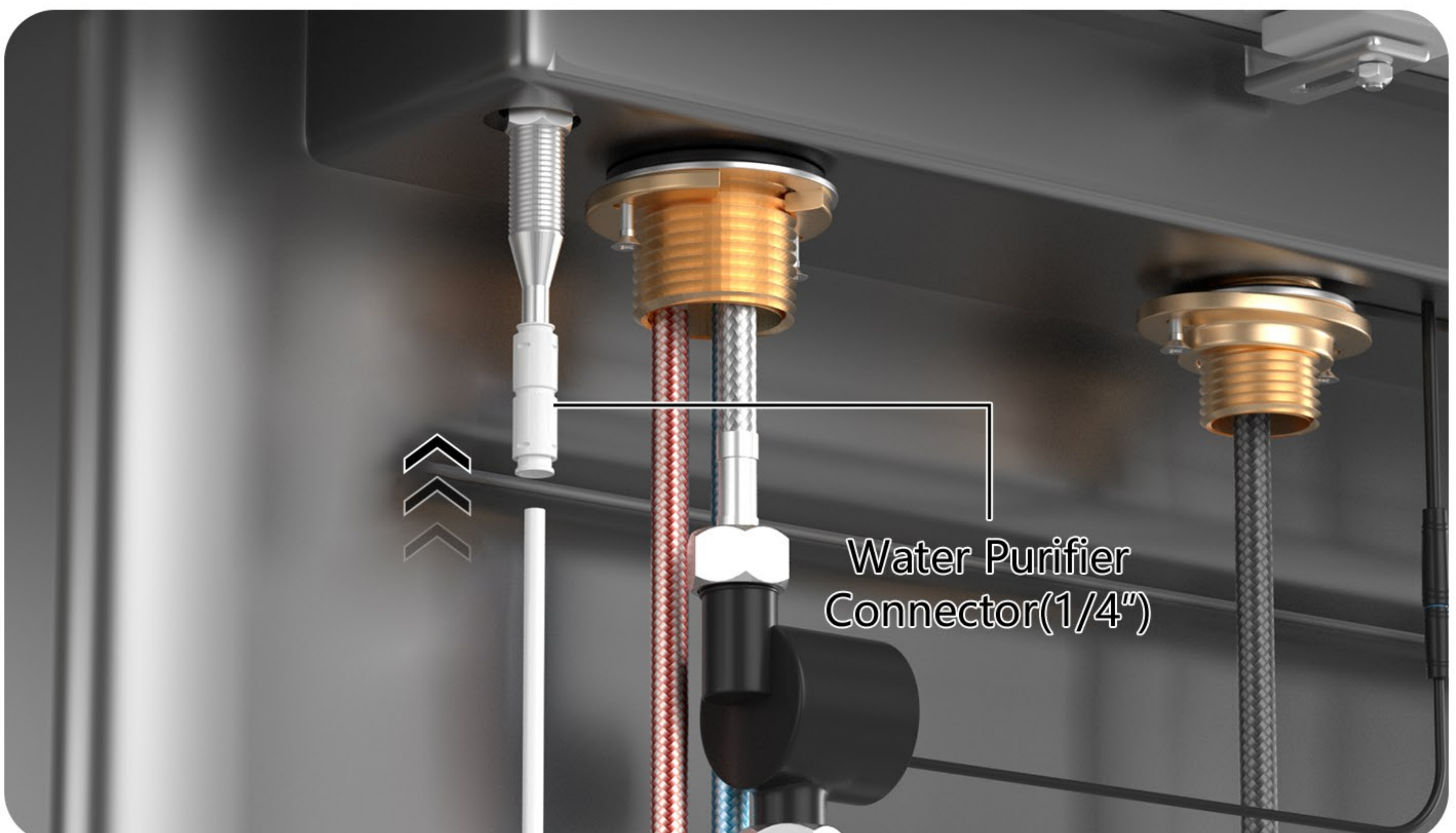
## Step 17. Install the Drain Control Line

- Install the metal wire with the ball in the drain control connector into the groove beneath the drain button, then tighten the plastic nut by turning it clockwise.



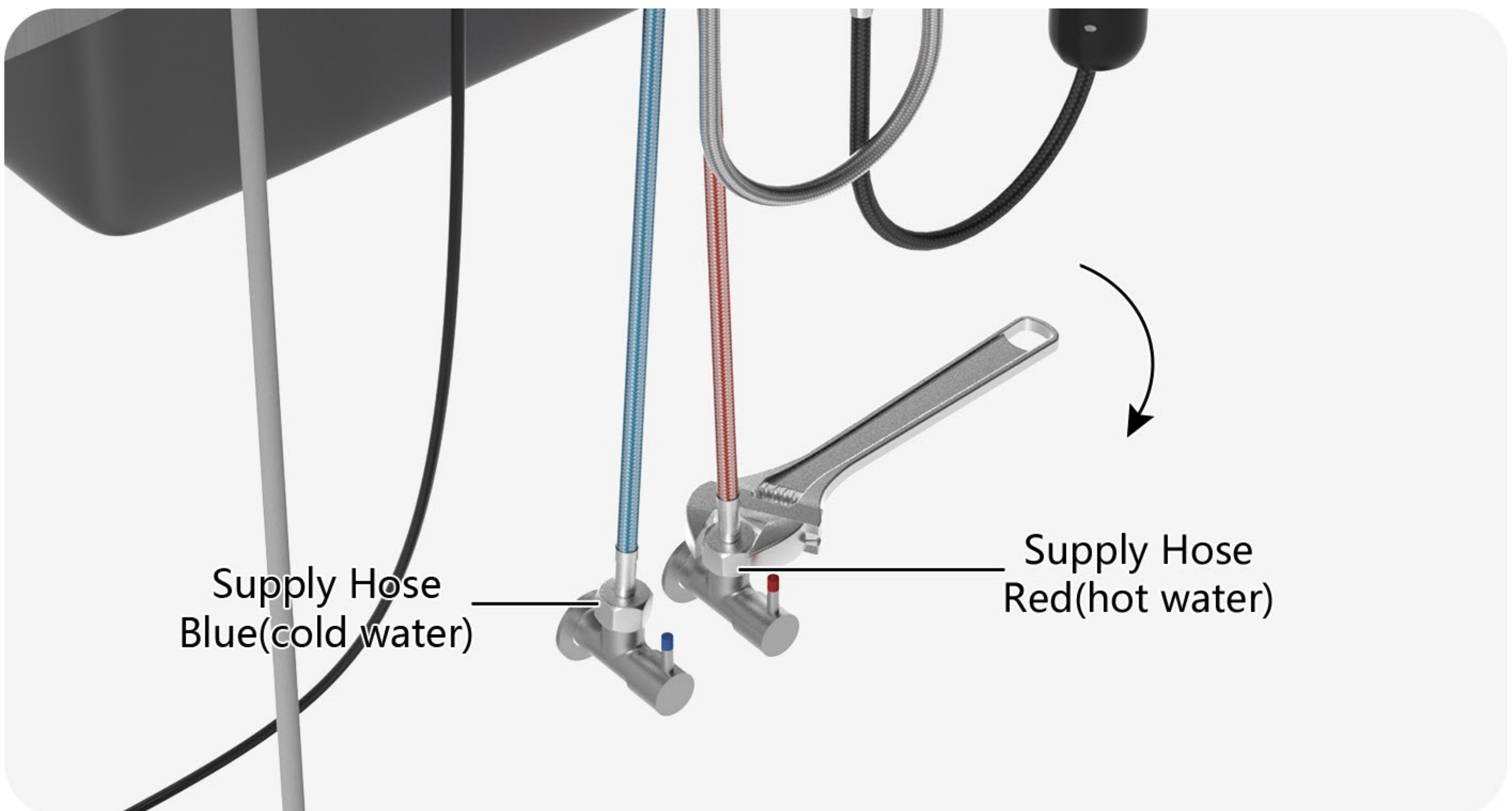
## Step 18. Connect the Water Purification System (If Required)

- If you have a water purification system, insert the water outlet hose into the connector hole of the water purifier faucet.



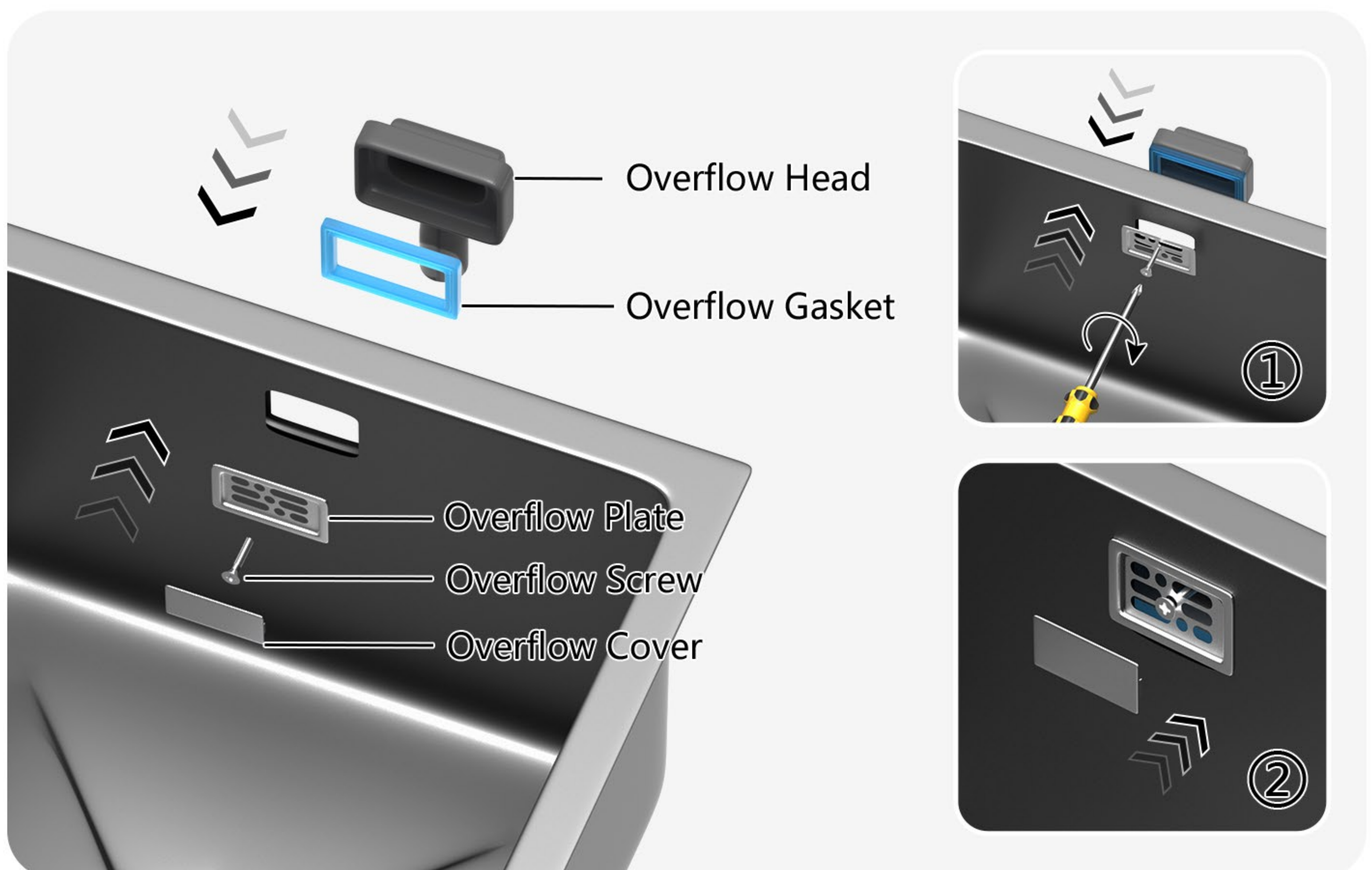
## Step 19. Connect the Water Supply Hoses

- Connect the blue supply hose (cold water) and the red supply hose (hot water) to the water supply valves and tighten them with a wrench.



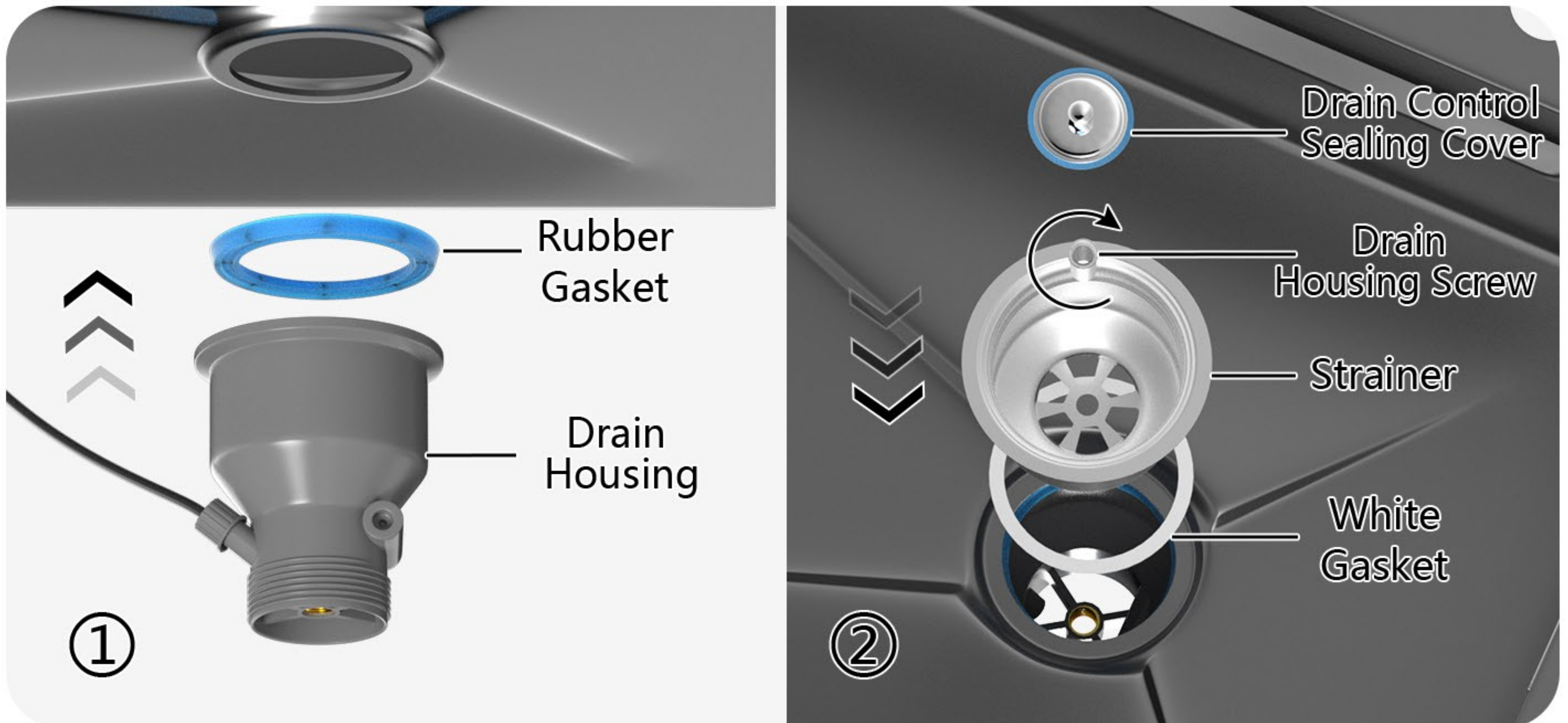
## Step 20. Connect the Outer Overflow Component

- Place the overflow gasket into the overflow head. secure the overflow head with overflow plate and screw, and install the overflow cover.



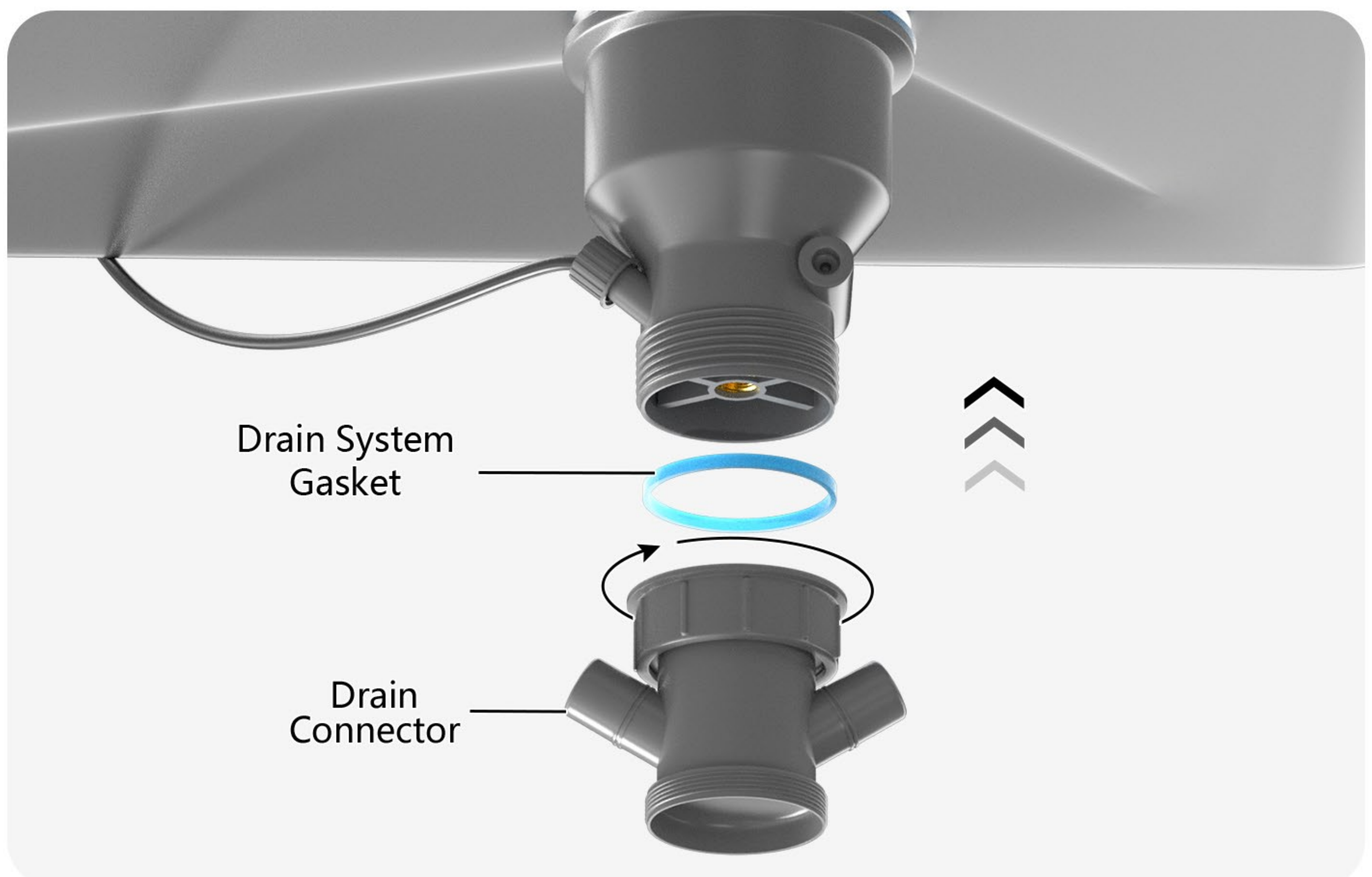
## Step 21. Install the Strainer

- Place the rubber gasket and drain housing in order under the drain hole.
- Place the strainer and white gasket onto the hole, and tighten it to the drain housing by turning the screw clockwise. Then, insert the drain control sealing cover.



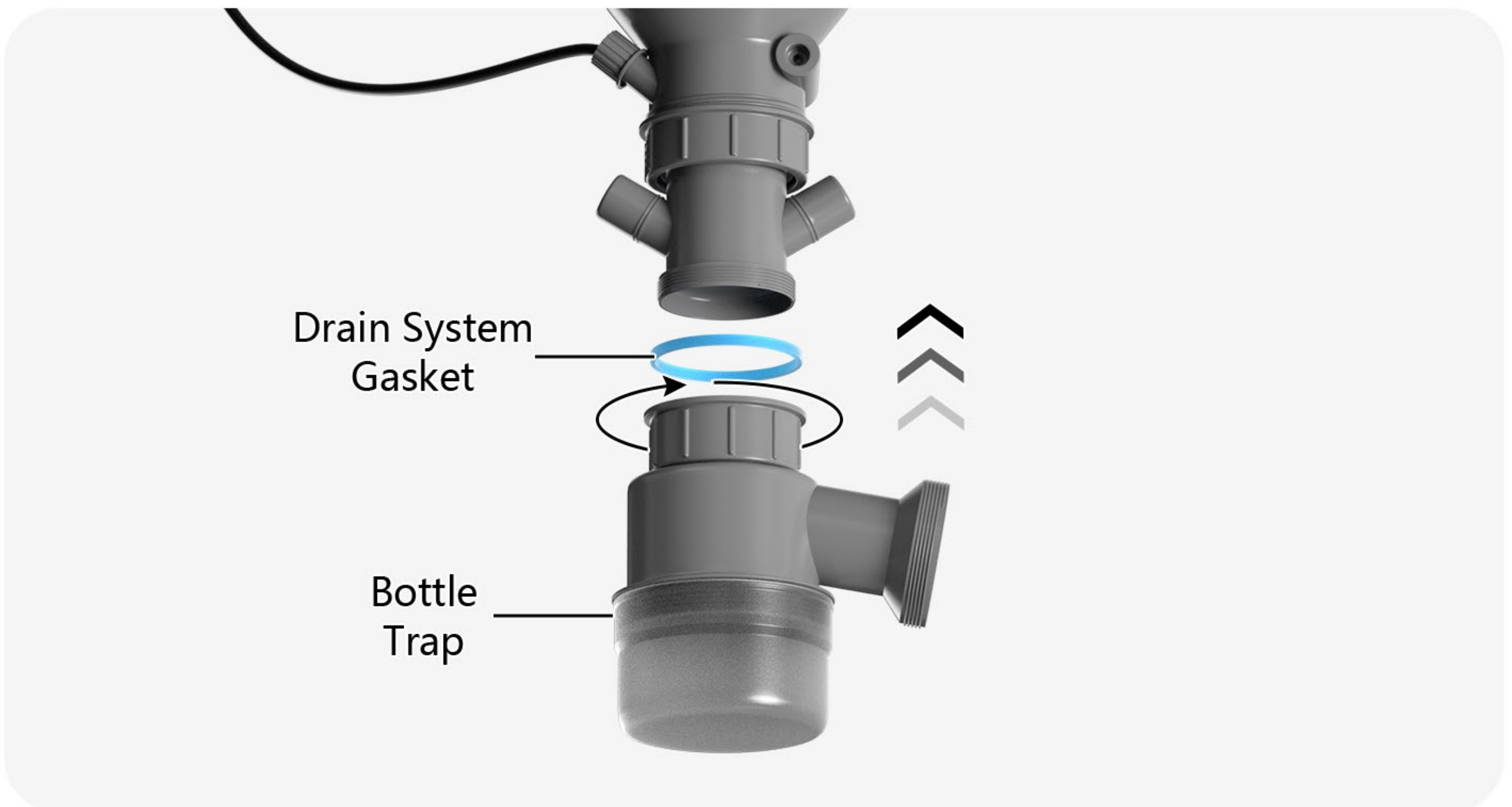
## Step 22. Install the Drain Connector

- Place the drain system gasket over the inner ring of the drain connector. Install the connector onto the drain housing and tighten clockwise.



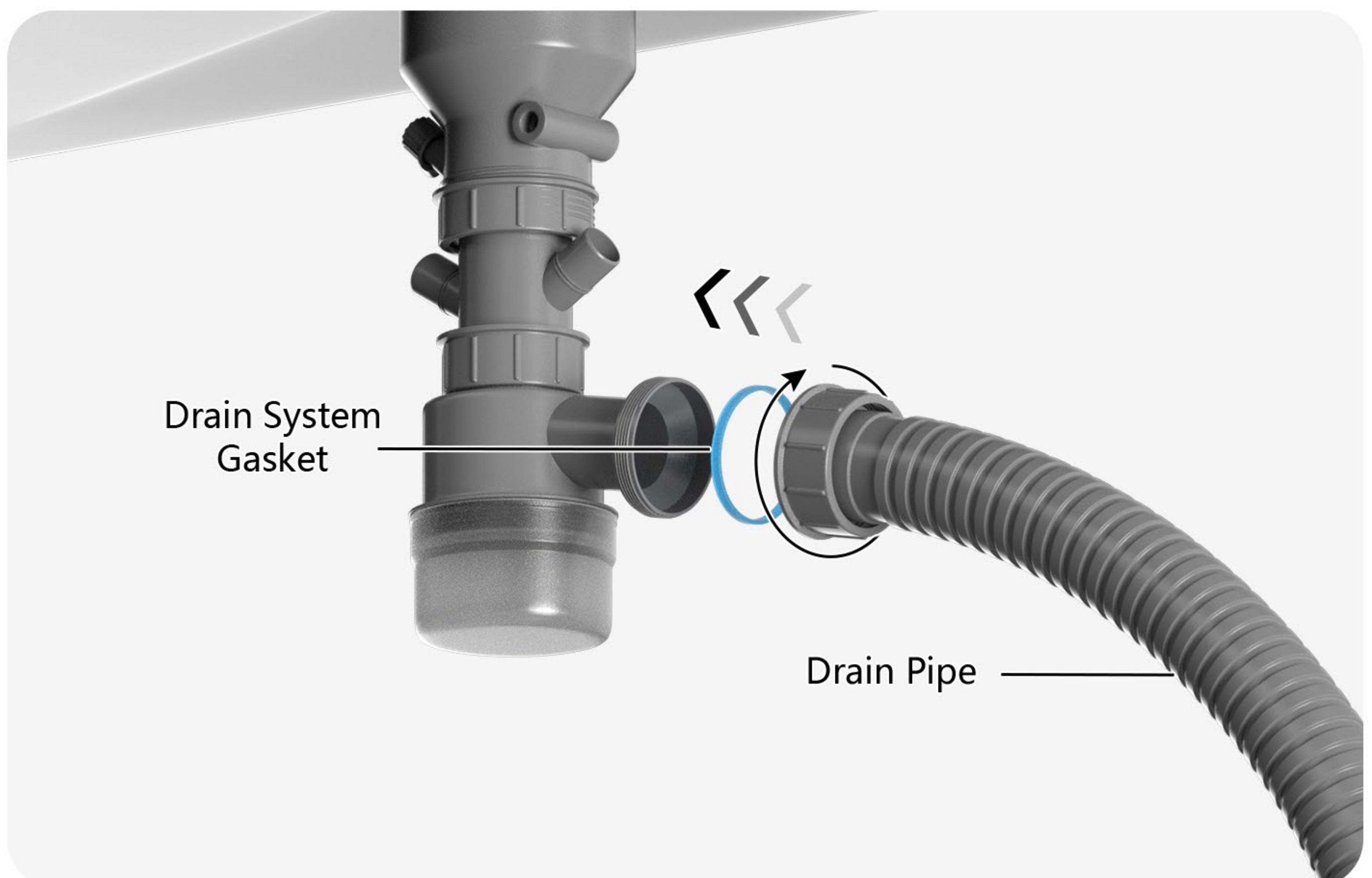
## Step 23. Install the Bottle Trap

- Place the drain system gasket over the inner ring of the bottle trap. Install the bottle trap onto the connector and tighten it clockwise.



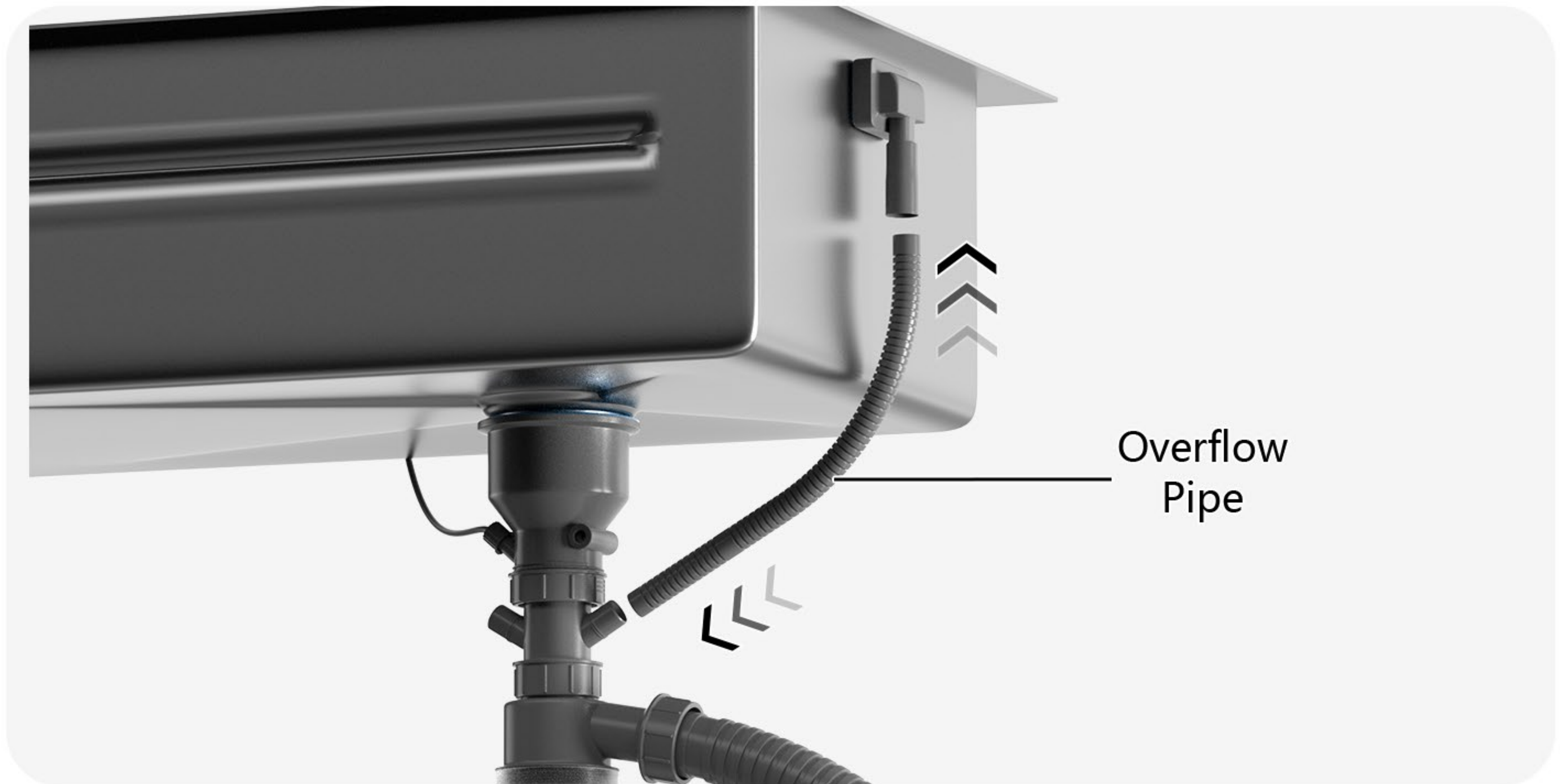
## Step 24. Install the Drain Pipe

- Place drain system gasket over the inner ring of the drain pipe. Install the pipe onto the bottle trap and tighten it clockwise.



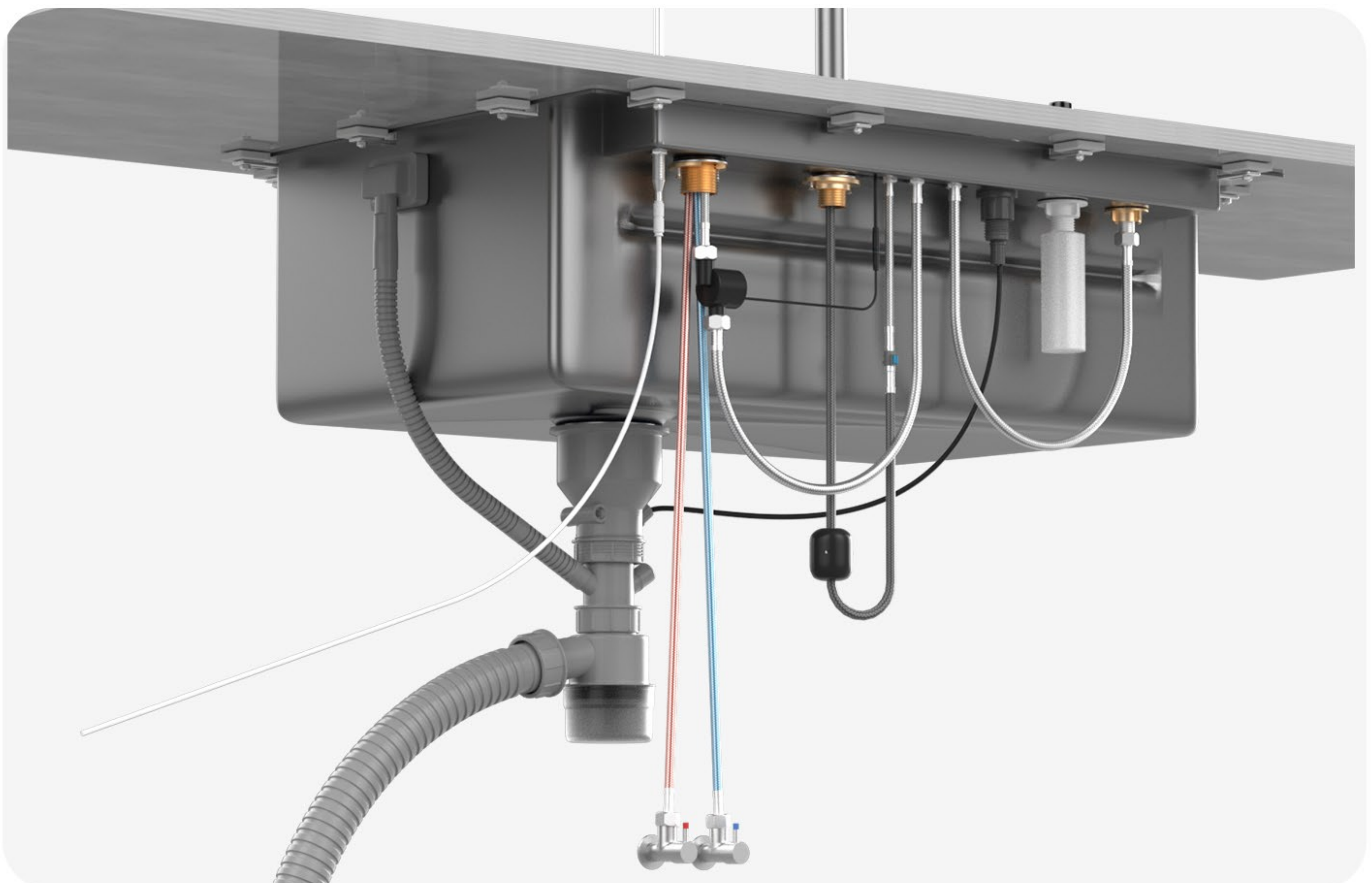
## Step 25. Connect the Overflow Pipe

- Insert the ends of the overflow pipe into the drain connector and the outer overflow component.

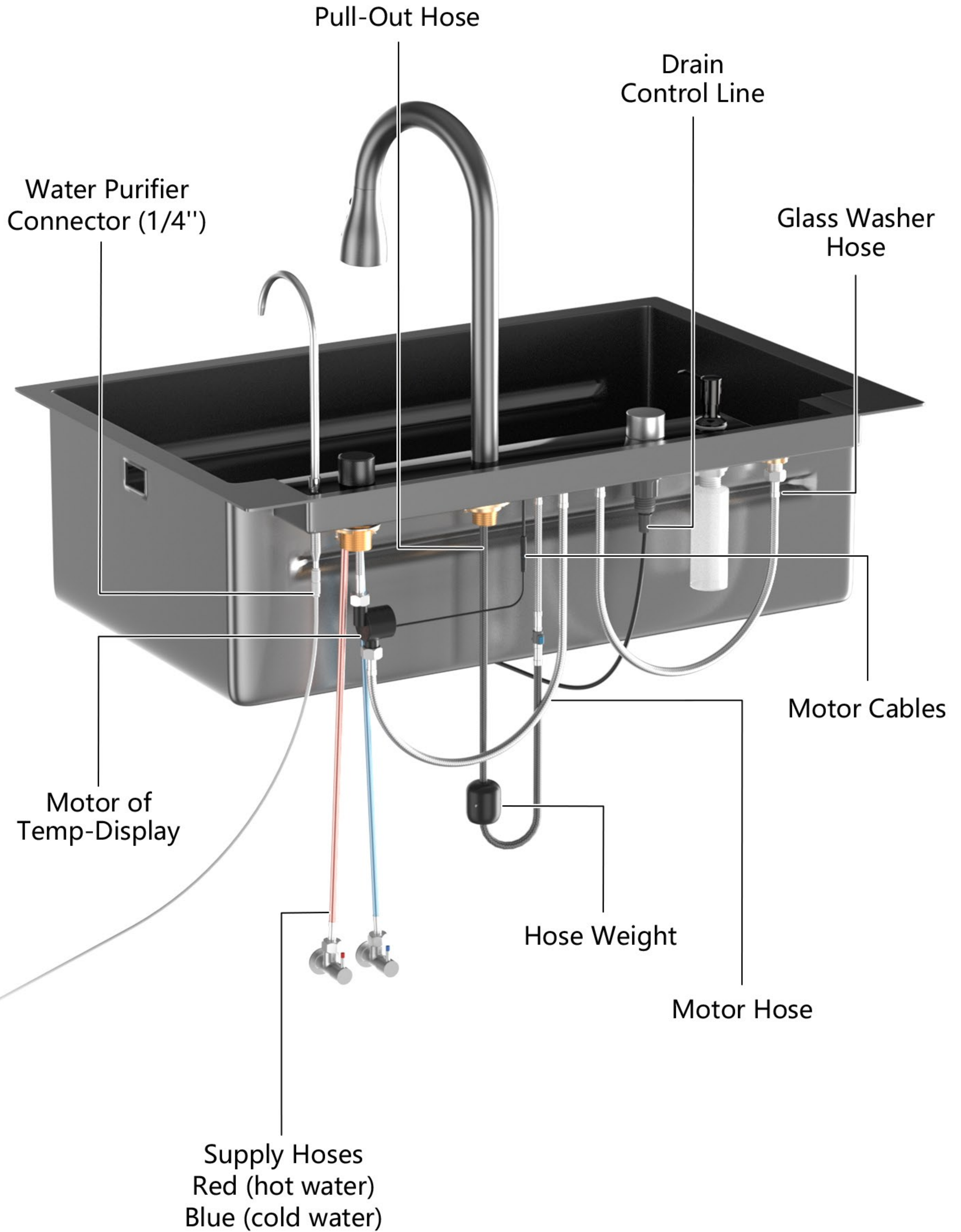


## Step 26. Test for Leaks

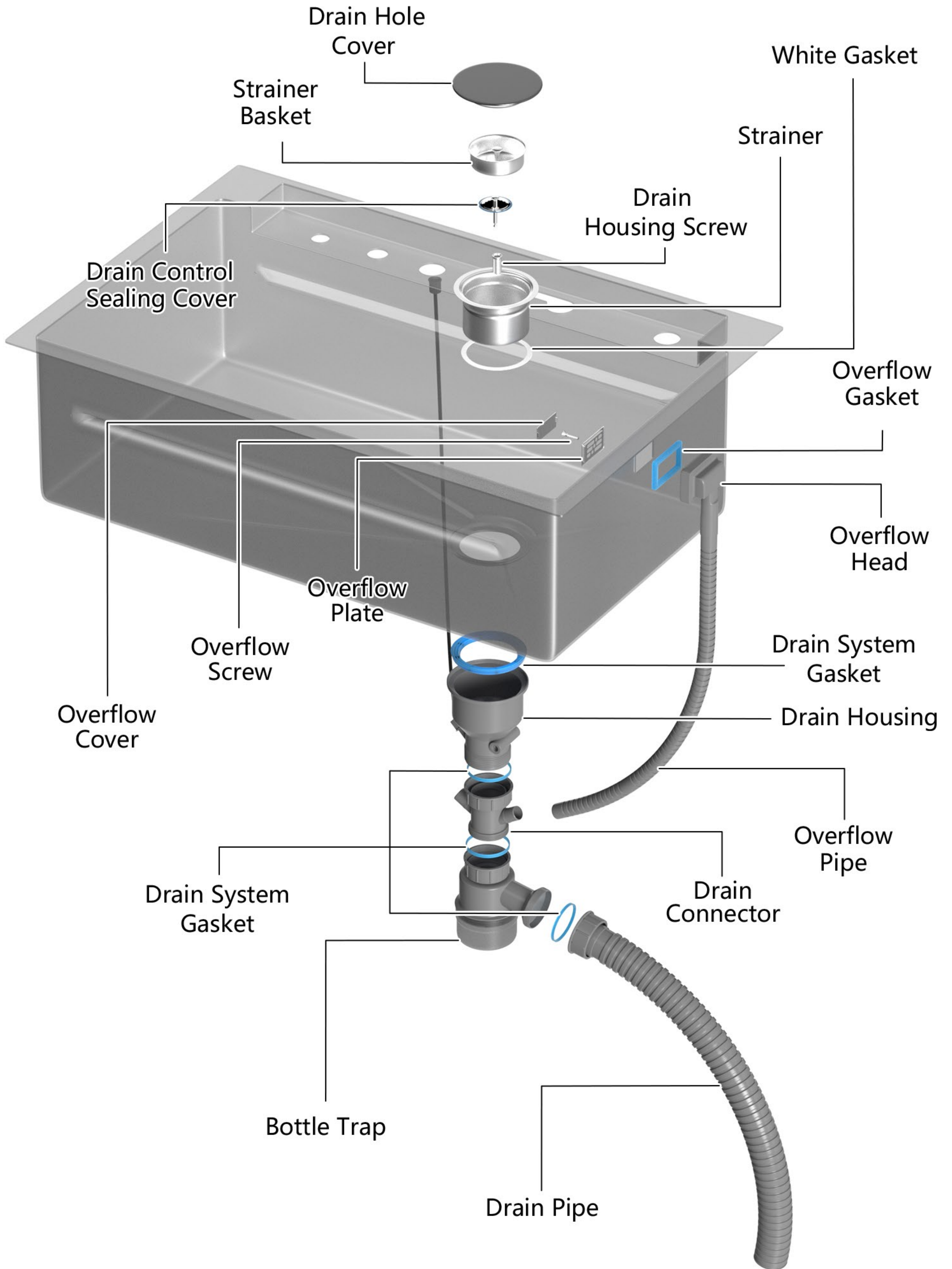
- Turn on the water supply valves slowly. Run the water at full blast and observe all connections along the supply and drain lines.



# Faucet Installation Diagram



# Drain system Installation Diagram



# Maintenance & Warranty

## Kitchen Sink Maintenance

Regular maintenance is key to keeping your sink in top condition.

### Clean Regularly

Clean your sink regularly with warm, soapy water. This helps to remove daily grime and prevents buildup.

### Rinse After Cleaning

After using any cleaning products, ensure that you rinse the sink thoroughly. This prevents any residue from affecting the surface.

### Wipe Dry

Use a soft cloth to wipe the sink surface after rinsing. This removes any liquid residue and prevents water spots.

### Prevent Damage

Avoid cutting food directly on the surface of the sink. Use a cutting board to protect your sink. Do not leave sharp objects on the surface of the sink for extended periods. These can cause scratches or other damage.

### Avoid Abrasive Products

Do not use abrasive cleaning products, sanding tools, steel wool, or bleaching products. These can severely damage the surface of your stainless steel sink.

## Kitchen Sink Warranty

5-year Limited (residential) and 2-year Limited (commercial) on the sink bowl.  
5-year Limited (residential) and 2-year Limited (commercial) on hardware and drain assembly.

**In requesting warranty service, please be ready to provide:**

1. Proof of purchase
2. The item number & Qty of the defective item(s)
3. A complete description of the problem

**For more information, please check our website or contact us.**

**LEFTON<sup>®</sup>**

[www.leftonhome.com](http://www.leftonhome.com)

