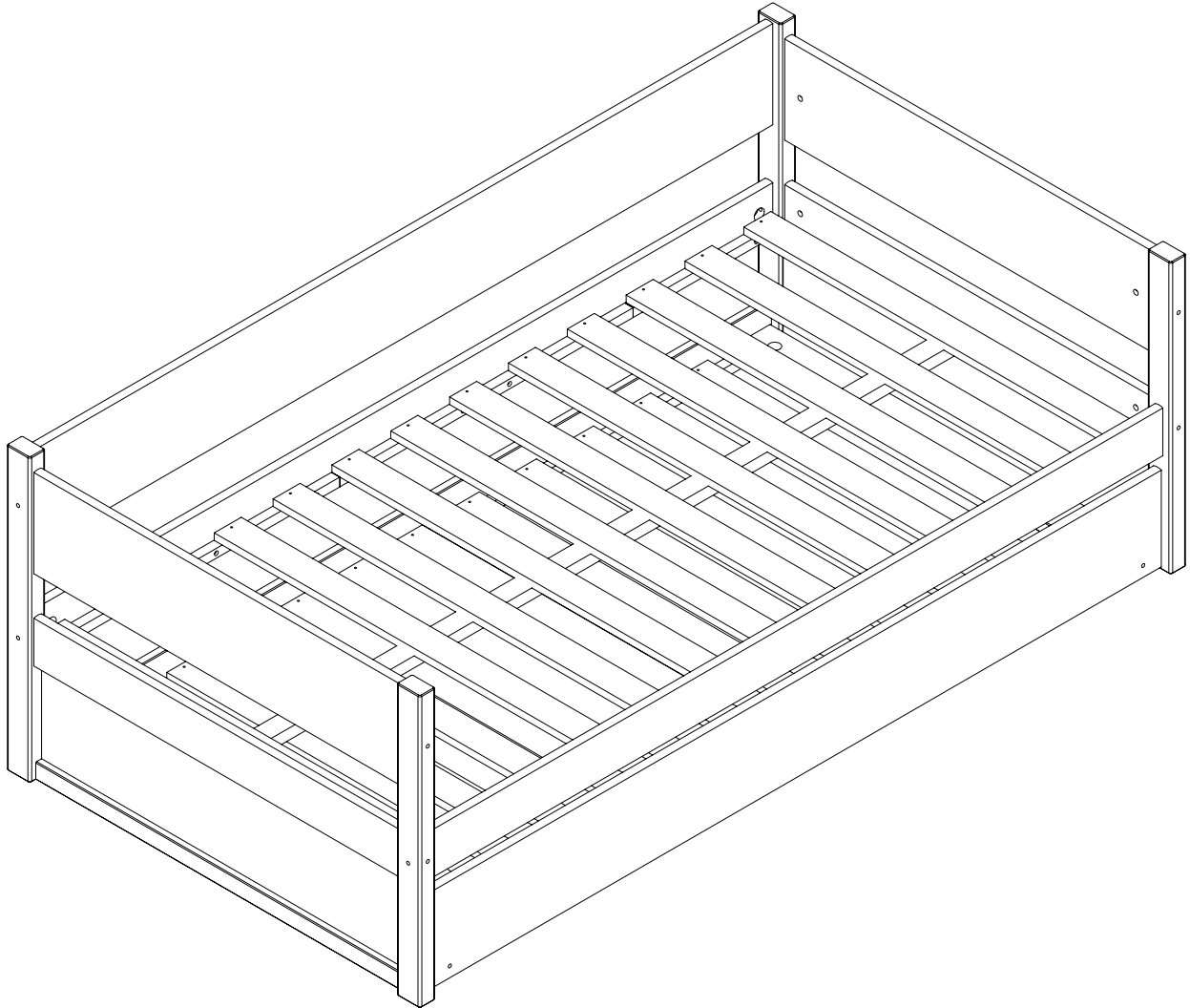




**COUNT AND INSPECT ALL PARTS CONFIRMING ALL  
WERE RECEIVED AND ARE IN GOOD CONDITION.**

**ASSEMBLY MANUAL**

# DayBed - Twin Size

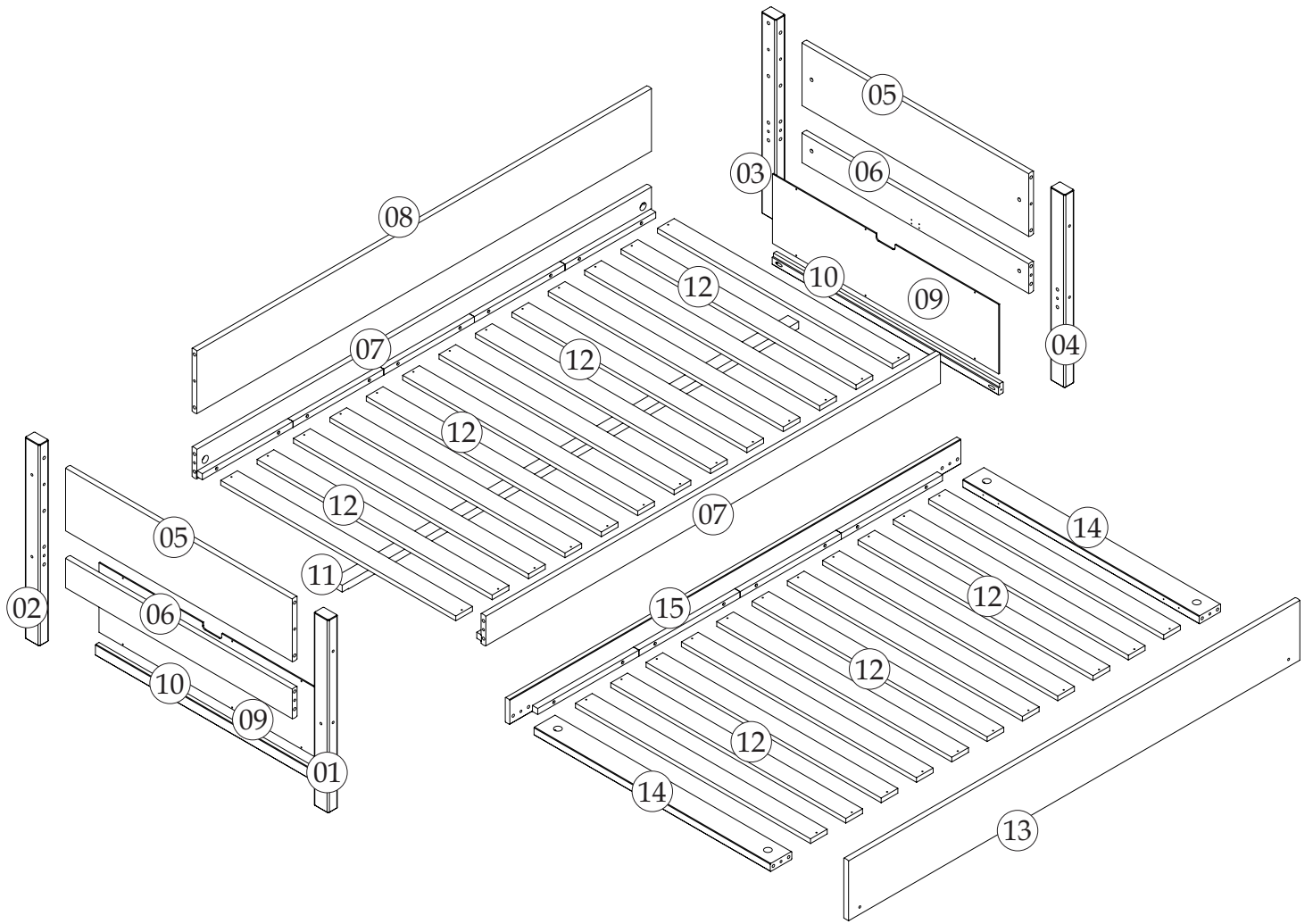


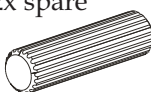
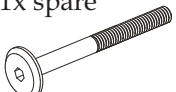


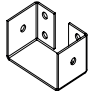
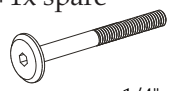
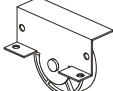
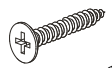


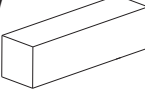
## ATTENTION

- 1 - Read and observe carefully all the assembly instructions before beginning assembly.
- 2 - The assembly of the product must be done on a clean and flat surface. We suggest to use the packaging to cover the floor to avoid damages.
- 3 - The screws must be tightened periodically.
- 4 - Avoid contact with sharp objects.
- 5 - Avoid banging pieces together.

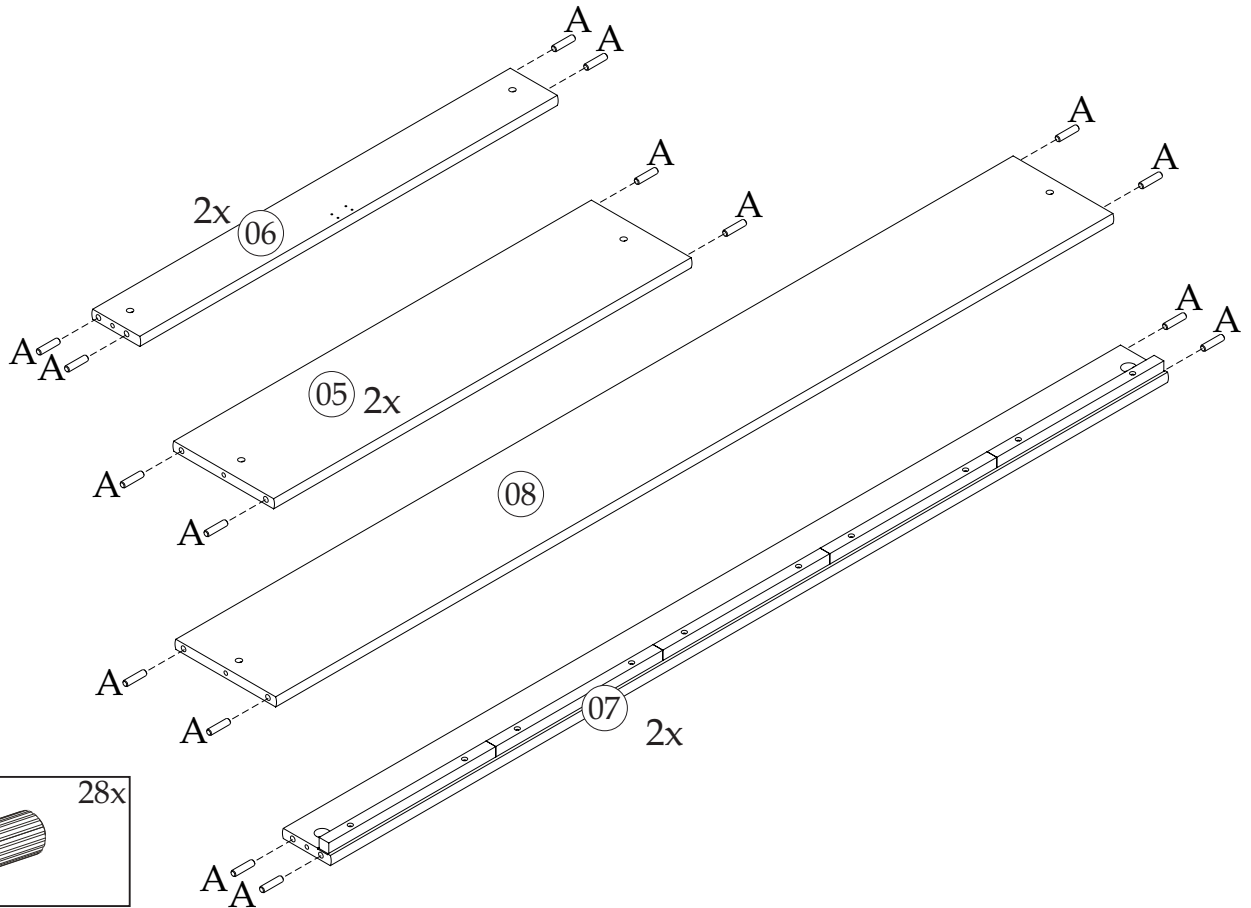


Parts and hardware list for assembly.  
Please confirm all parts available before assembly.

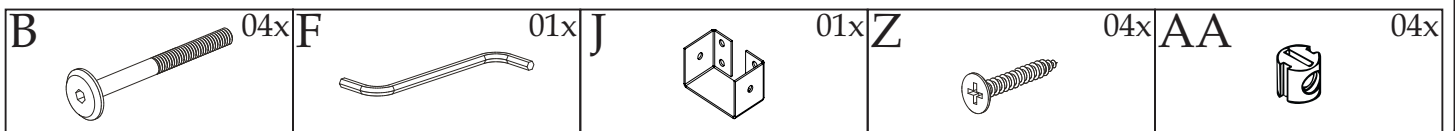
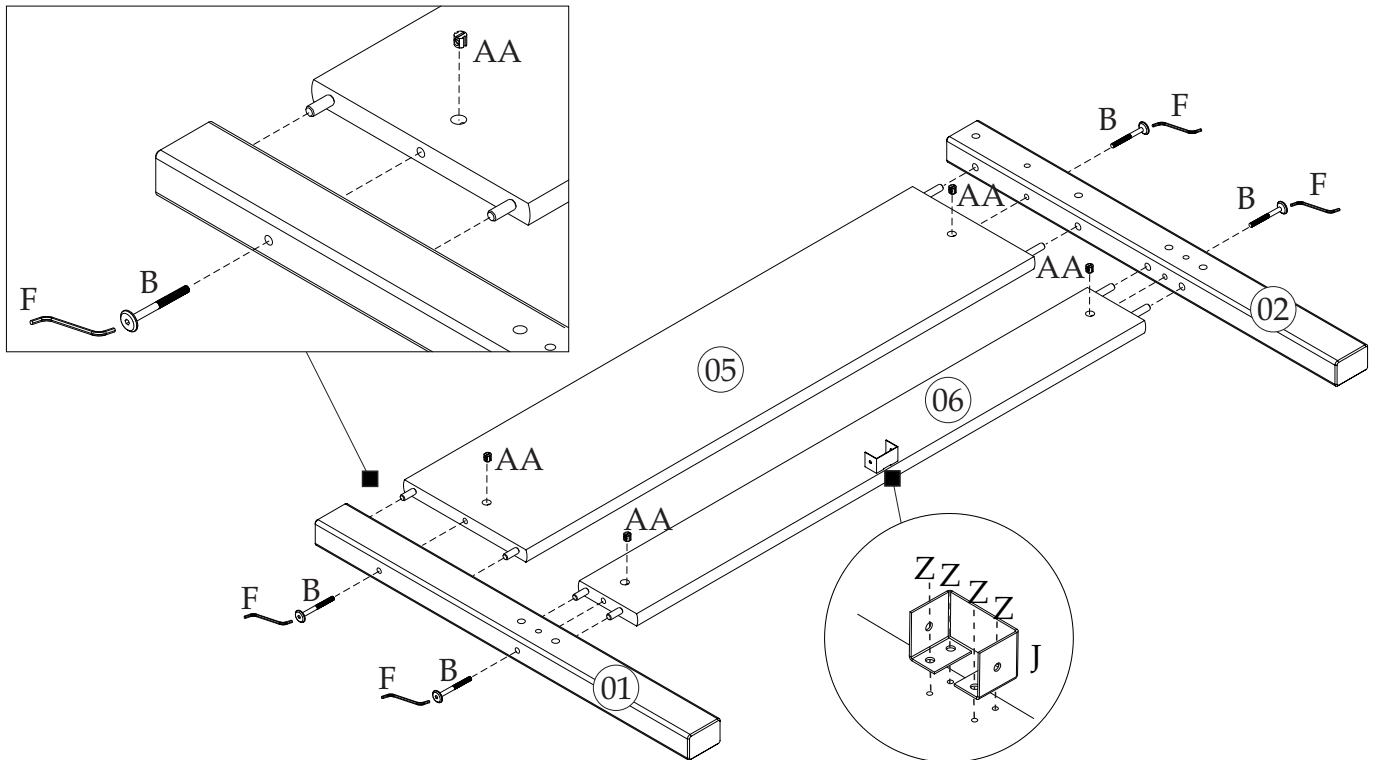


<b>A</b> +2x spare 36x  $\varnothing 3/8" \times 1 9/16"$	<b>B</b> +1x spare 08x  $\varnothing 1/4" \times 4 1/4"$	<b>F</b> +1x spare 01x  $1/4" \times 4 1/4"$	<b>I</b> +2x spare 50x  $\varnothing 1/8" \times 1 3/8"$
<b>J</b> 02x 	<b>K</b> +1x spare 10x  $1/4" \times 1 11/8"$	<b>Y</b> 04x  2"	<b>Z</b> +2x spare 34x  $\varnothing 1/8" \times 5/8"$
<b>AA</b> +1x spare 10x  $1/4" \times 1/2"$	<b>BC</b> +1x spare 08x  $1/4"$	<b>BW</b> 02x  $3 1/4"$	

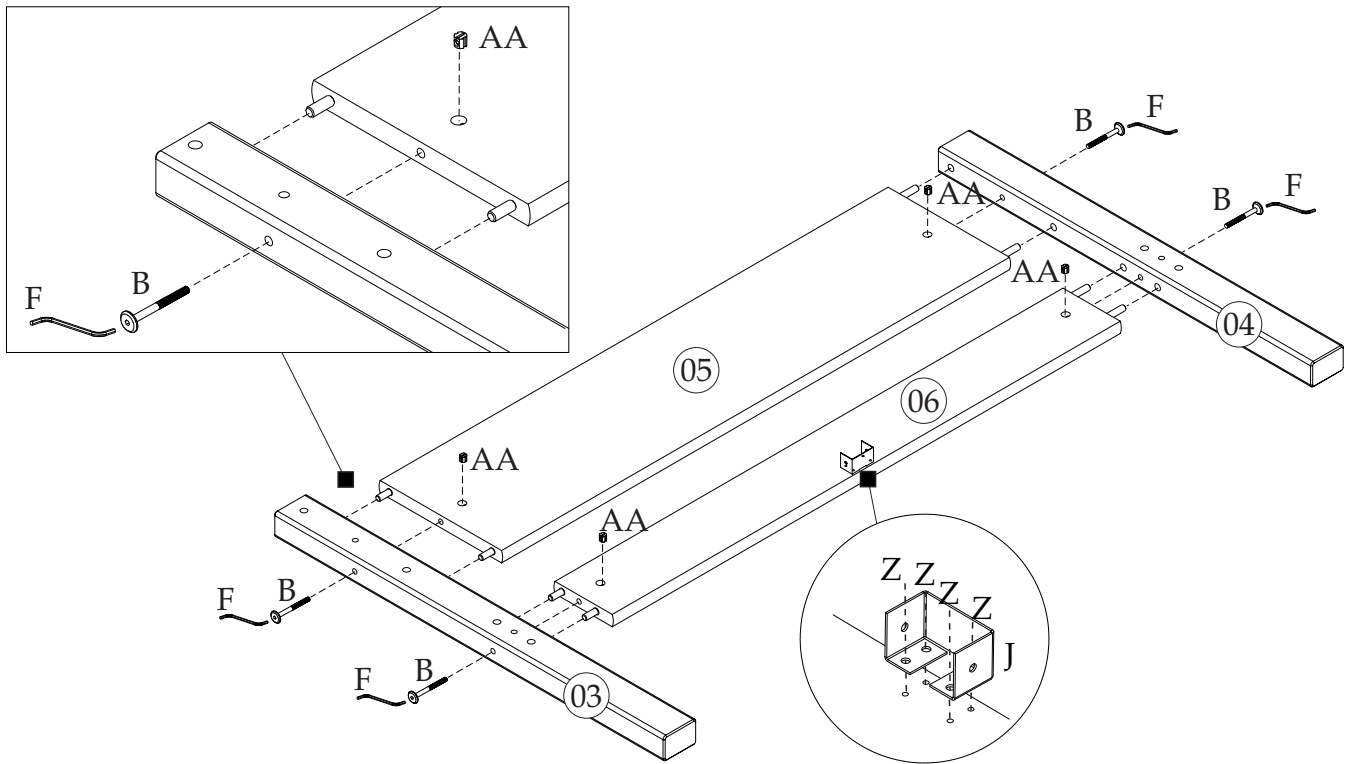
Step - 01



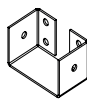





Step - 02

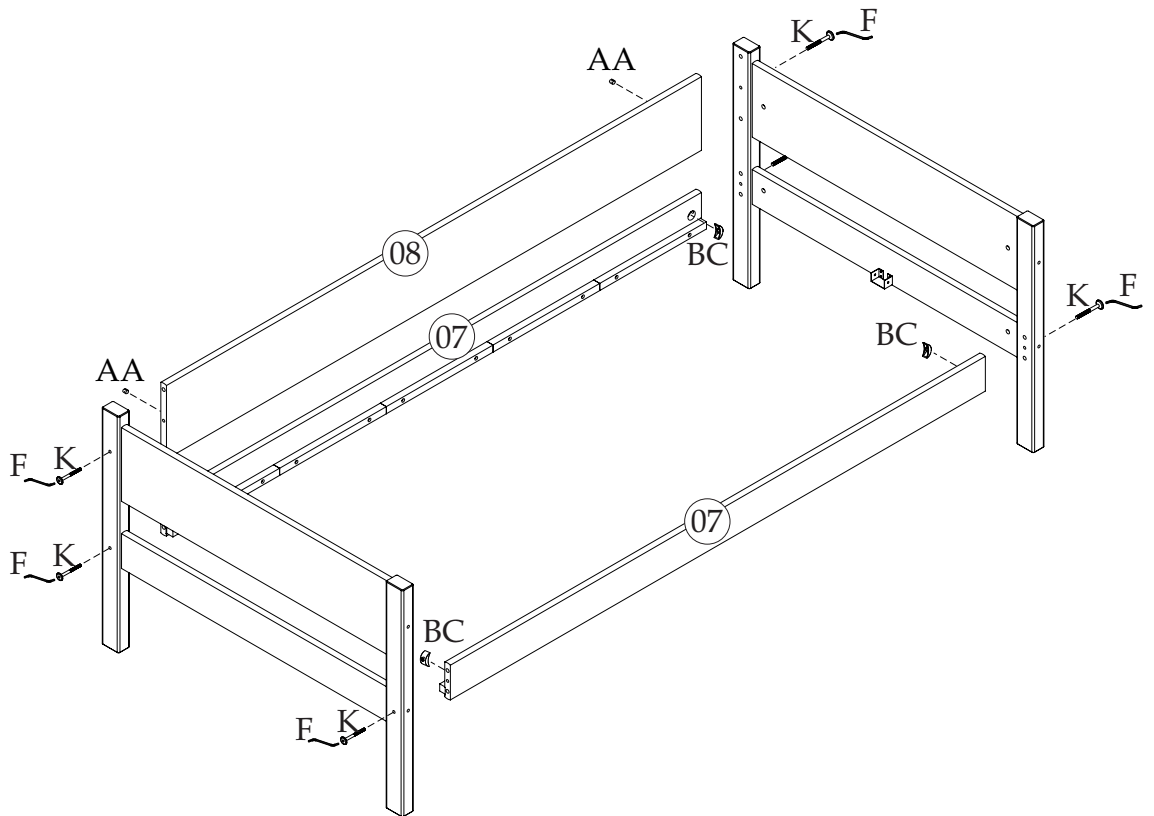



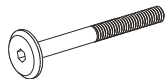



Step - 03



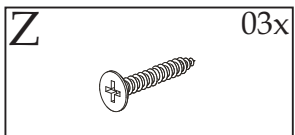
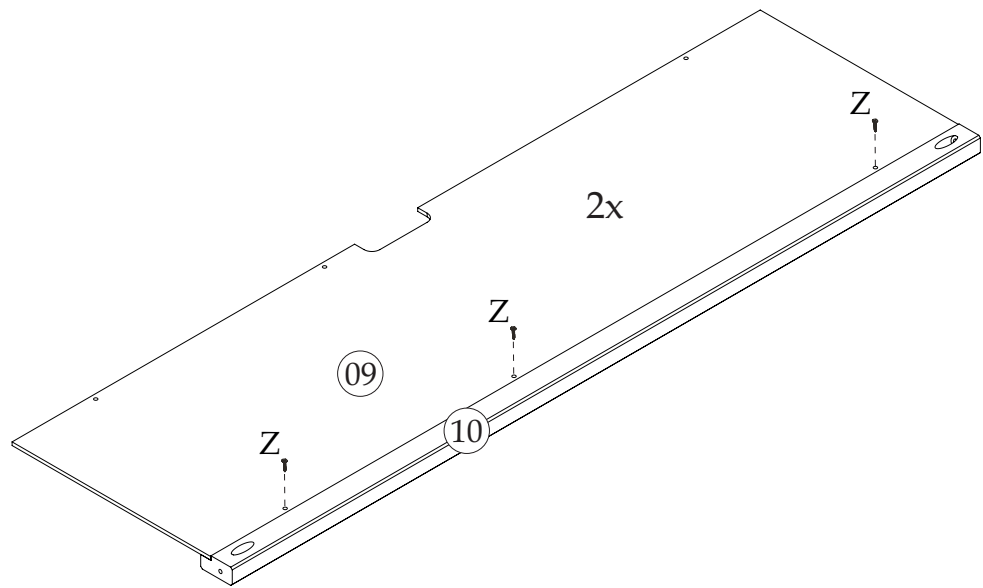
<b>B</b>	<b>04x</b>	<b>F</b>	<b>01x</b>	<b>J</b>	<b>01x</b>	<b>Z</b>	<b>04x</b>	<b>AA</b>	<b>04x</b>
									

Step - 04

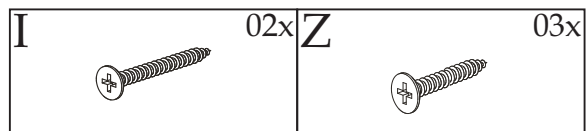
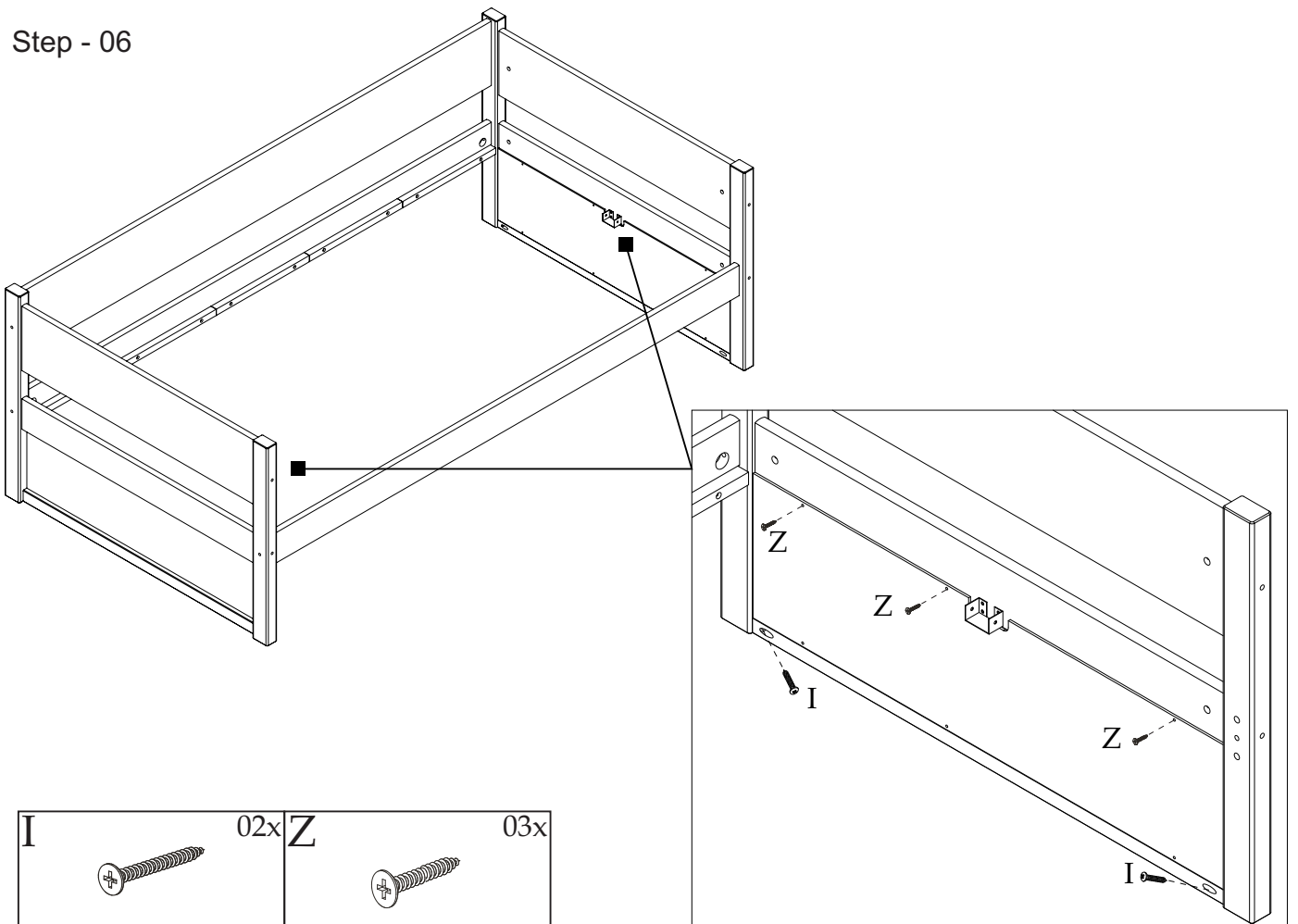


<b>F</b>	<b>01x</b>	<b>K</b>	<b>06x</b>	<b>AA</b>	<b>02x</b>	<b>BC</b>	<b>04x</b>
							

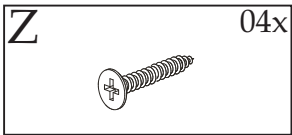
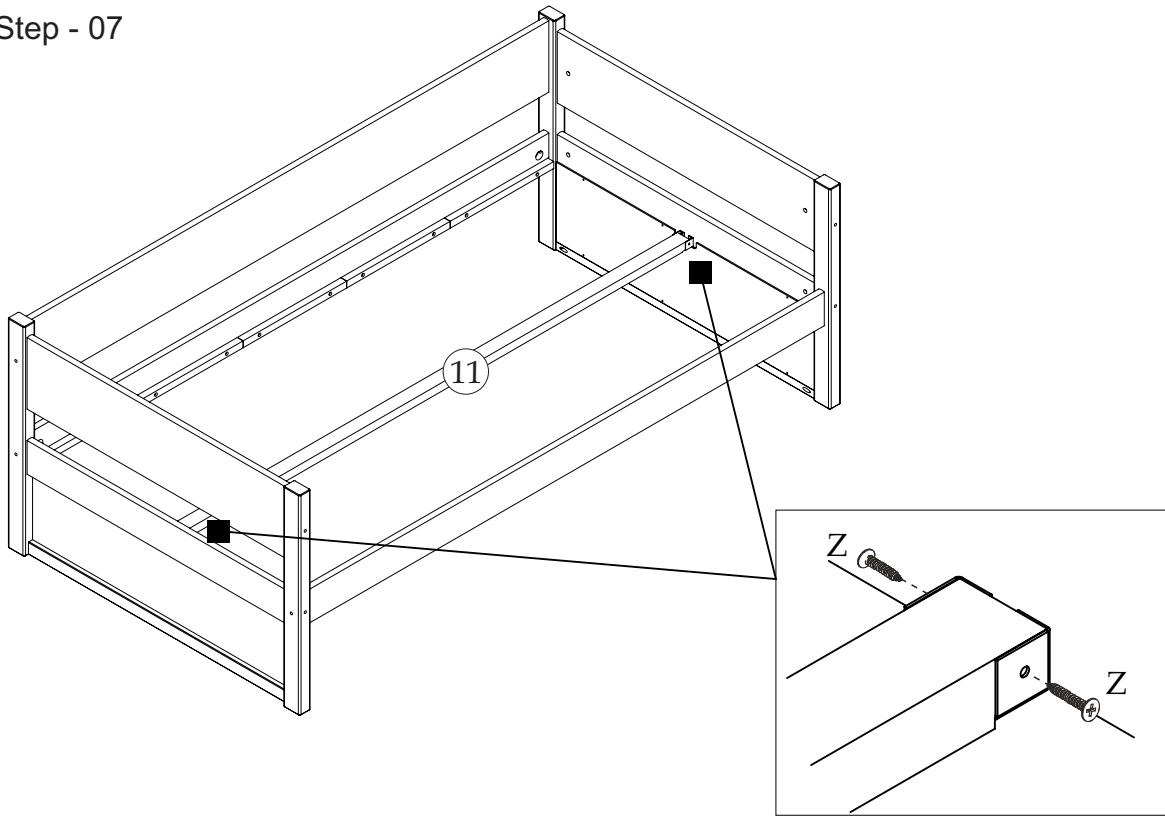
Step - 05



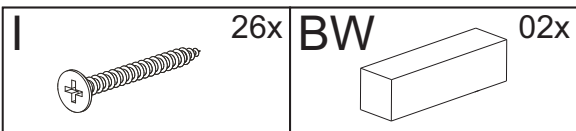
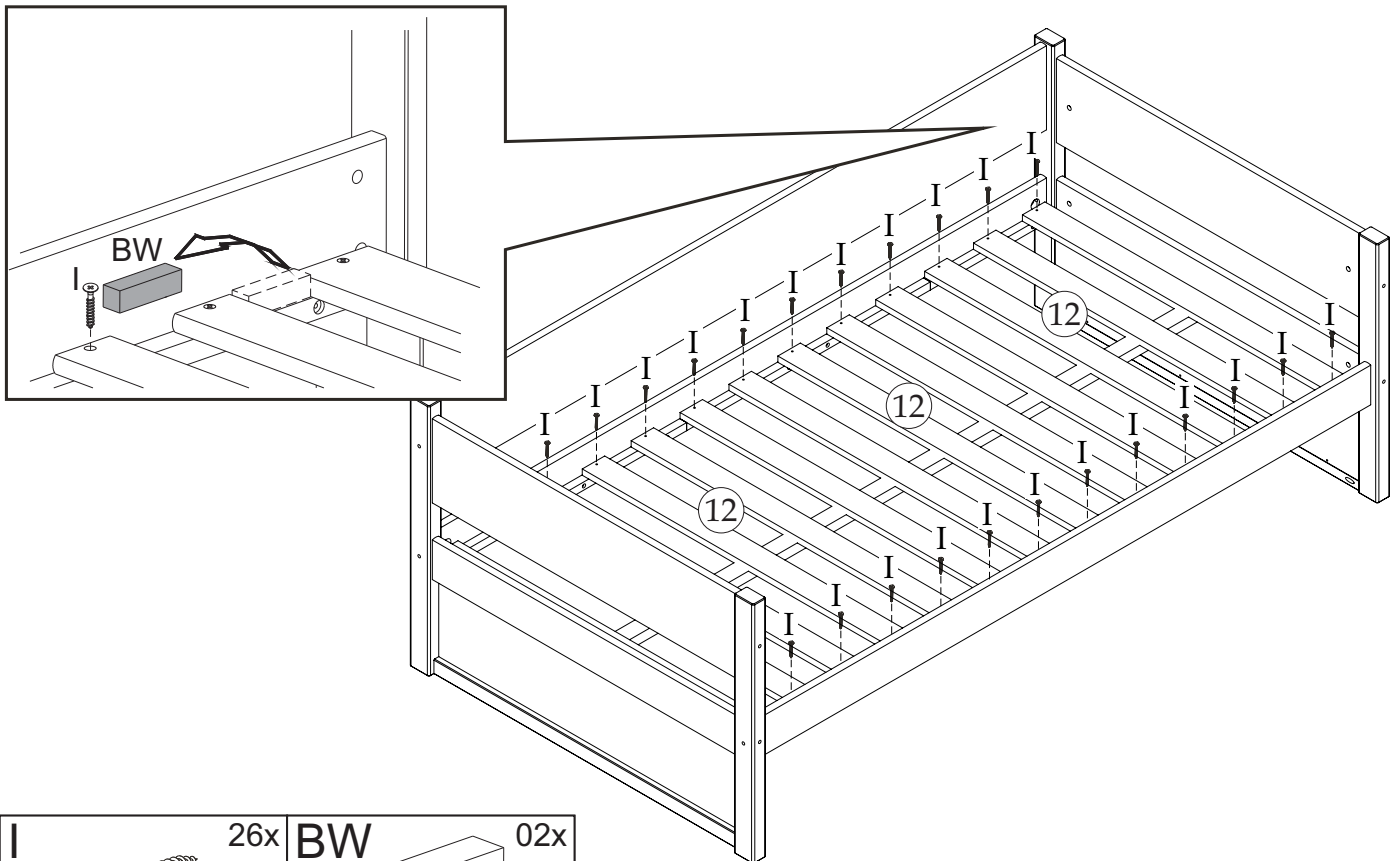
Step - 06



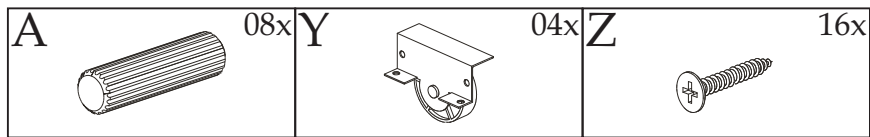
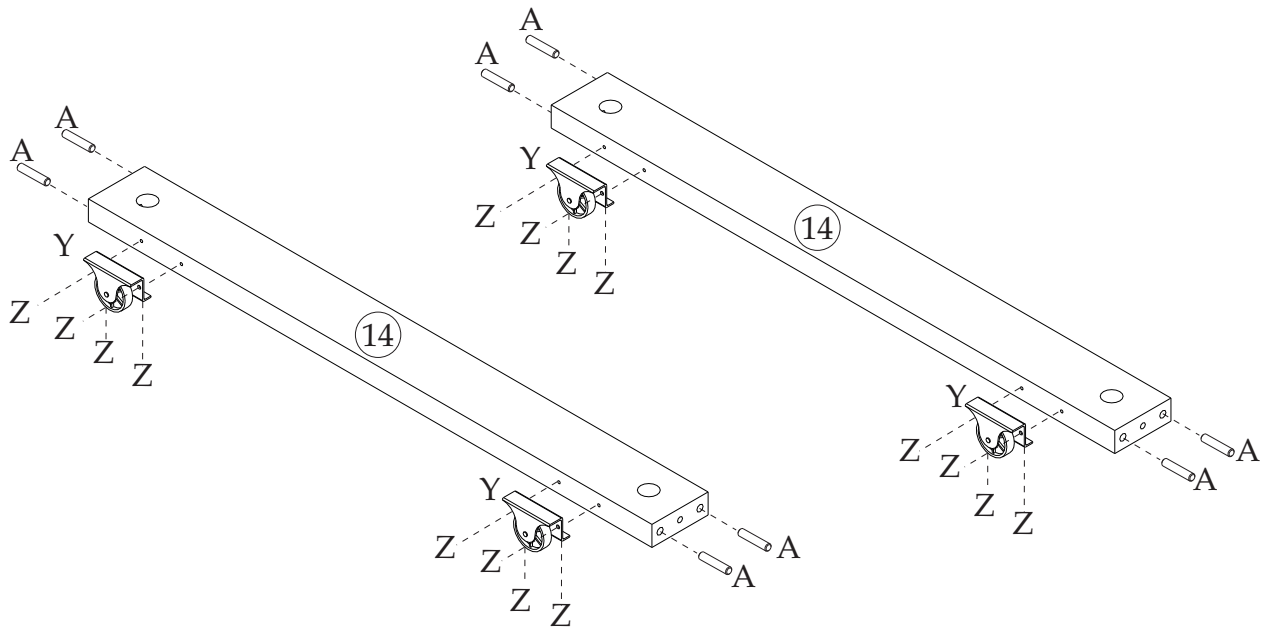
Step - 07



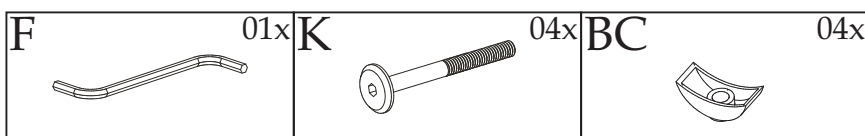
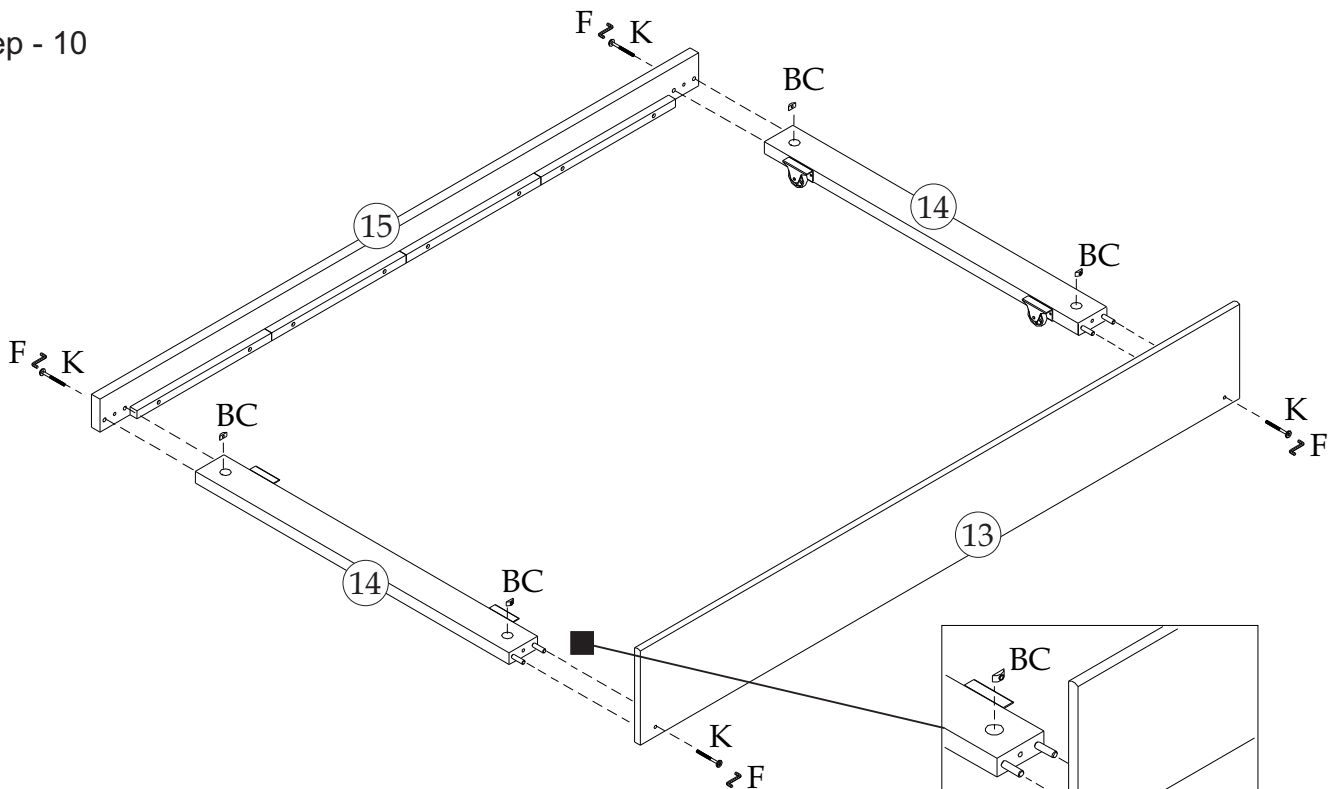
Step - 08



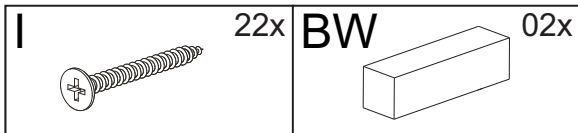
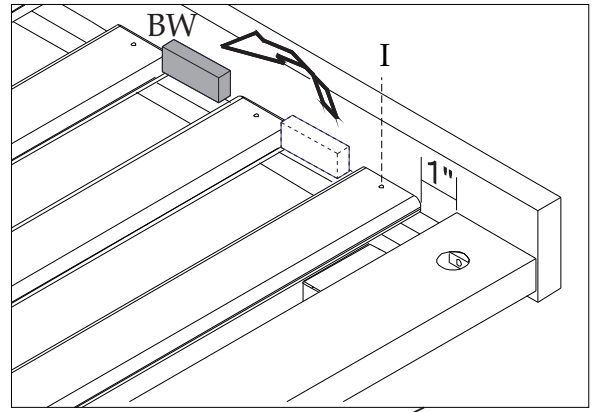
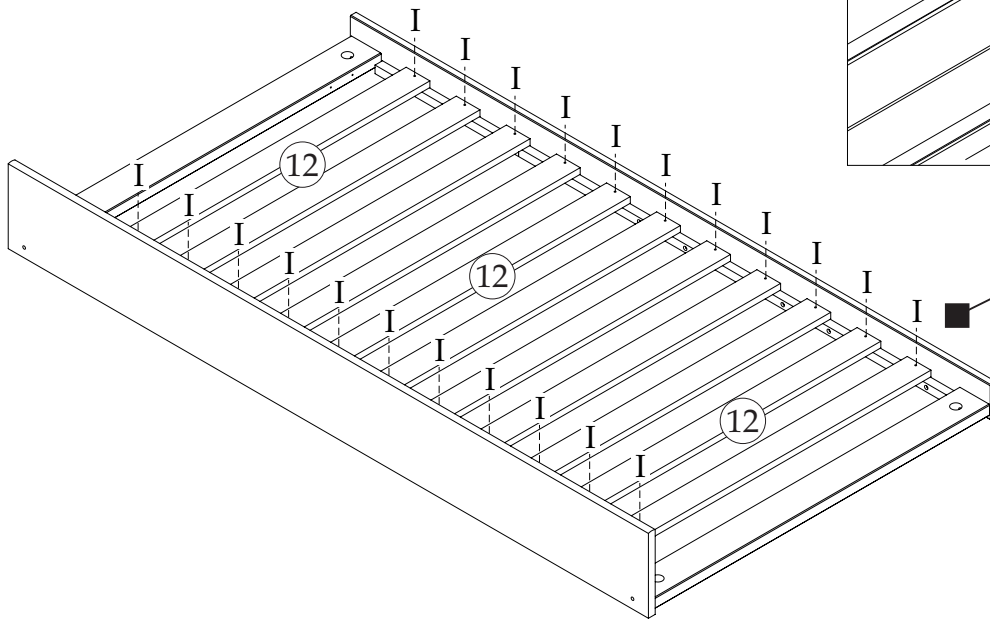
Step - 09



Step - 10



Step - 11



Step - 12

