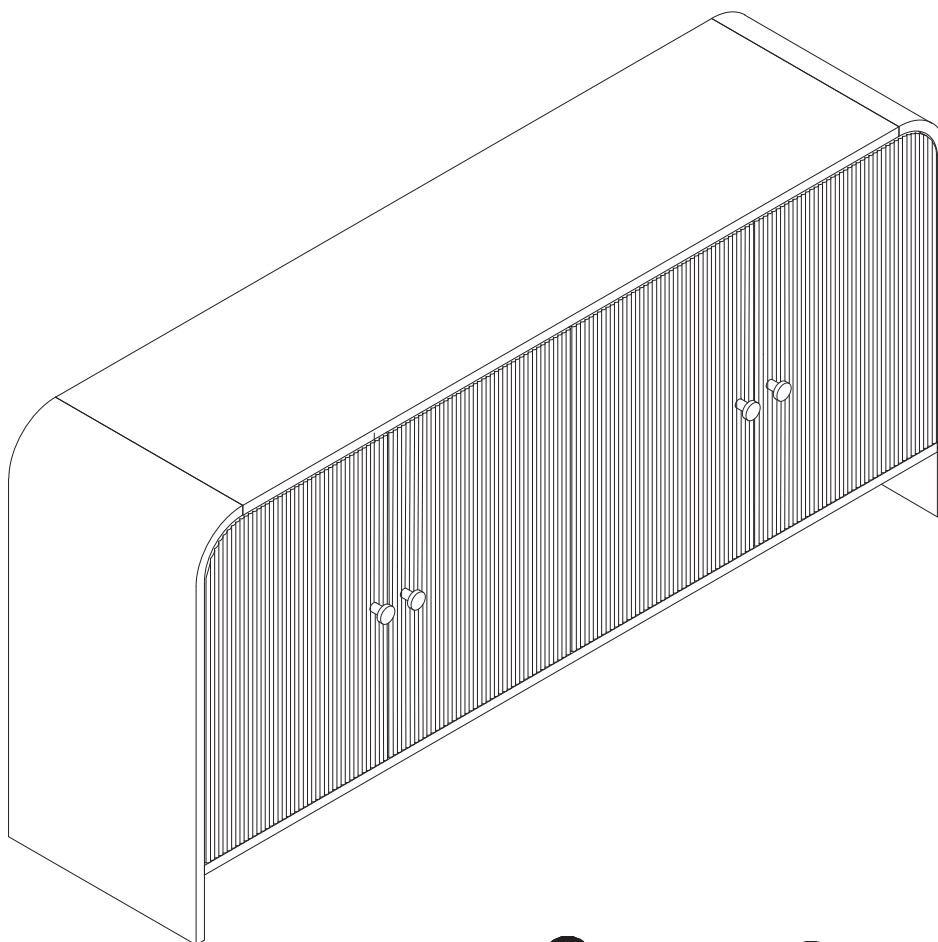


# Owner Manual



Weight Limitation

**150 LBS**



Installation:  
30 minutes.



Two Person

## Thank You For Choosing Our Furniture

- ▀ If you have any questions or concerns, don't hesitate to reach out to us. ▀

### NOTE:






This brochure contains **IMPORTANT** safety info. Please read and keep it for future reference.

# MAINTENANCE AND WARNINGS



## Before You Start

### *Please follow the steps below:*




-  Check the packaging for any damage, deformation, or water stains. If there is significant damage, please contact us promptly.
-  Unpack the box and compare the contents with the parts list and hardware list to ensure all components and accessories are present and complete.
-  Please read the installation instructions carefully to understand the installation steps and precautions to ensure proper installation.
-  Clean the installation area in advance and ensure the ground is level and there is enough space to avoid damaging the furniture or making installation difficult.
-  Lay a protective mat on the ground to prevent scratching the floor during installation.

### **After-Sales Service**

- If you encounter any issues or need technical support during use, please contact our after-sales team. We offer long-term maintenance and warranty services.





## Precautions

-  This product is for indoor use only. Do not expose it to outdoor elements or high-humidity environments.
-  Keep the product away from high heat or open flames to prevent fire hazards.
-  Do not allow children to climb on the product, as this may cause tipping and result in personal injury.



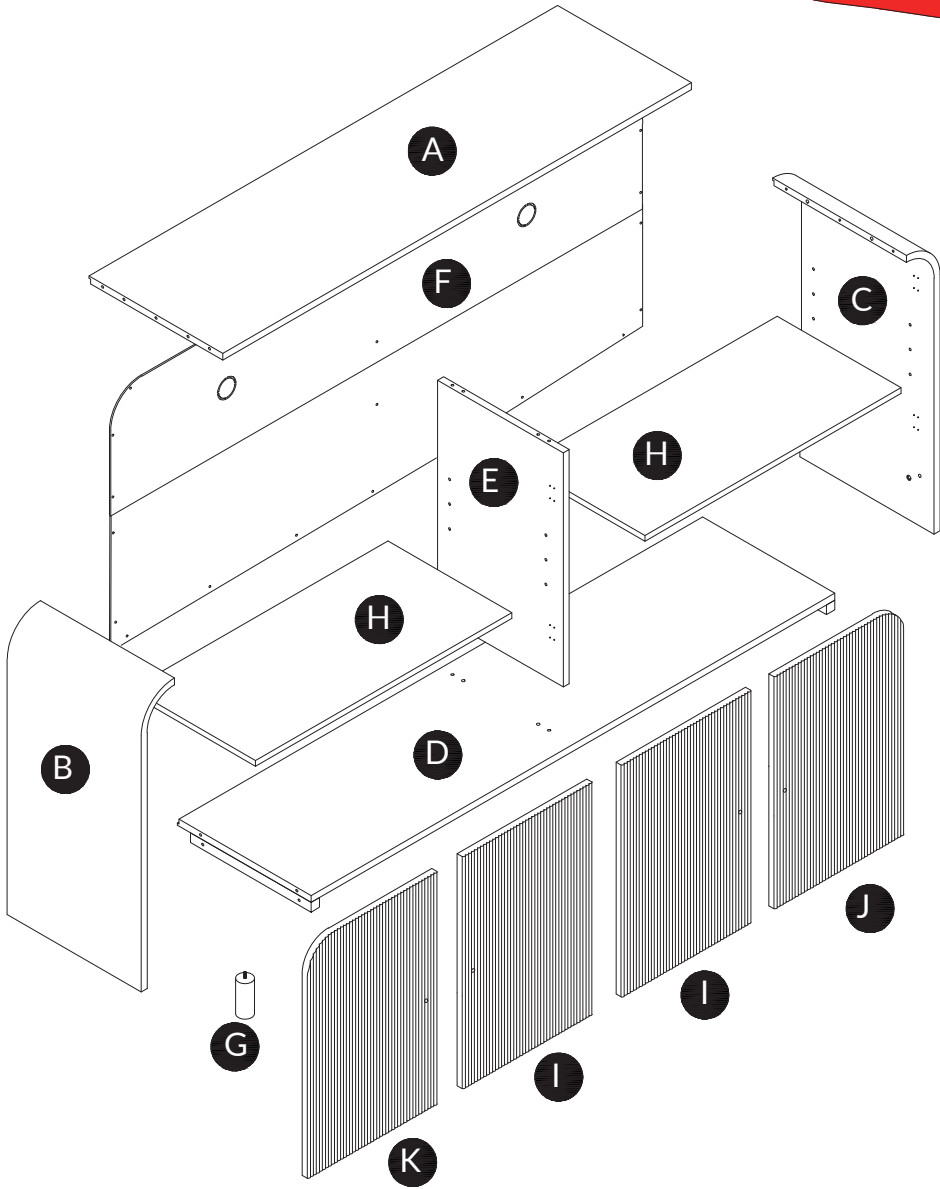
## Safety Warnings

-  If you notice any loose or damaged parts, stop using the product immediately and contact customer service.
-  Do not attempt to disassemble or replace any components yourself, as this may affect the stability and safety of the product.

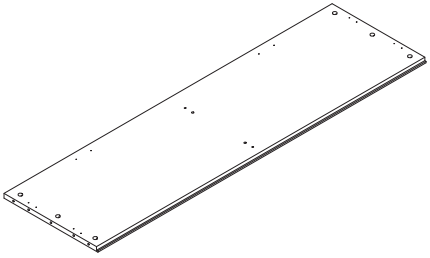
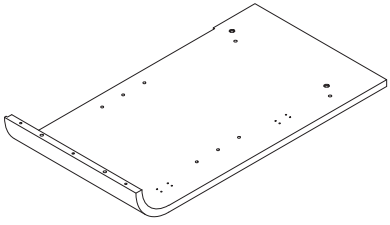
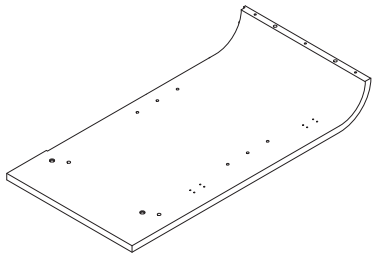
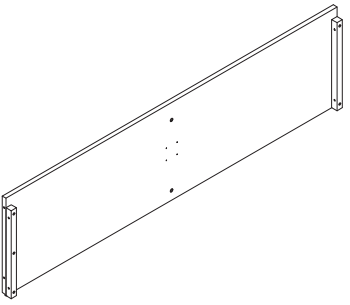
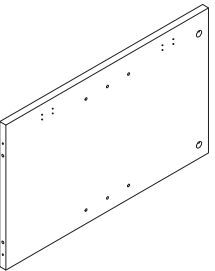
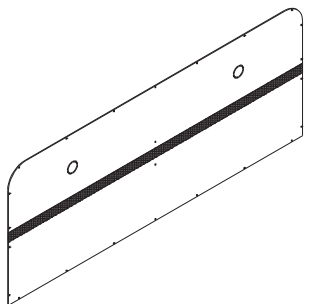
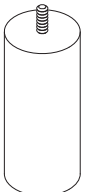
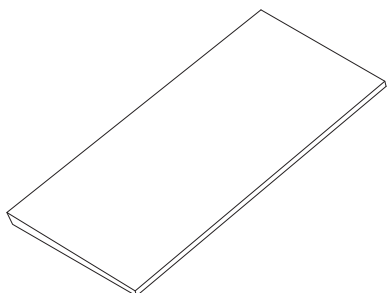
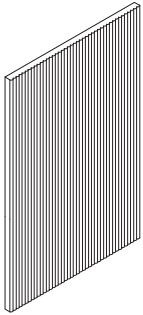
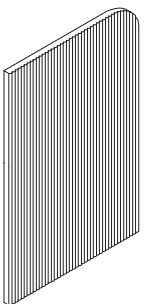
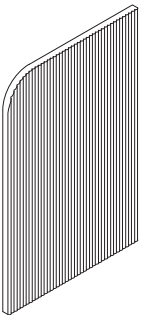
### ***Daily Maintenance***

- Regularly clean the surface with a soft cloth to prevent dust accumulation.
- Do not use cleaning agents containing acids, alkalis, or corrosive substances, as they may damage the surface. It is recommended to use neutral cleaning agents or specialized furniture cleaners.
- Avoid exposing furniture to humid environments for extended periods. Use a dehumidifier or desiccant during humid weather.
- Avoid direct contact of furniture with water. If water is accidentally spilled, wipe it dry immediately.
- Avoid placing excessively heavy objects on the furniture: ensure the weight is within a reasonable load-bearing range.
- Avoid using sharp or rough items on the furniture surface to prevent scratches. Handle items gently when moving them.

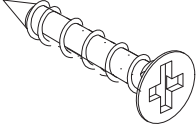
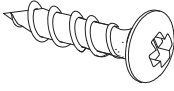
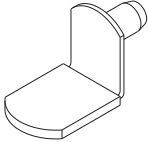
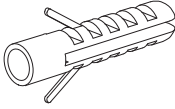

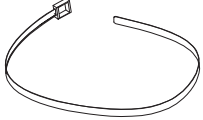
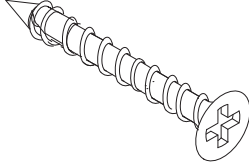
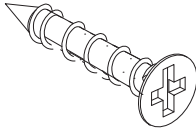
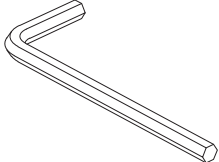
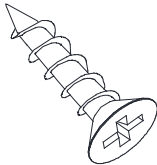
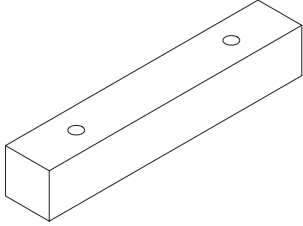

**Explosive view**



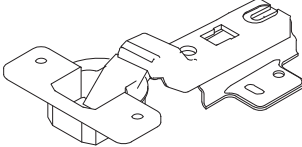
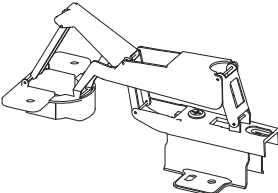
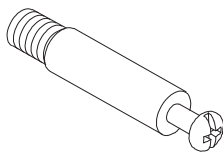
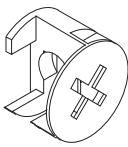
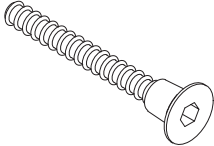
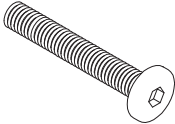
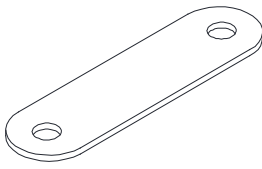
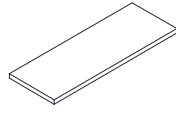
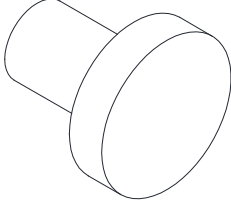
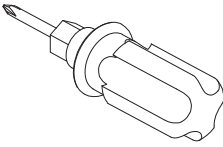
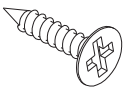
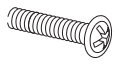
# Parts list

<p>A x1 Panel</p> 	<p>B x1 Left side panel</p> 	<p>C x1 Right side panel</p> 
<p>D x1 Baseplate</p> 	<p>E x1 neutral board</p> 	<p>F x1 back panel</p> 
<p>G x1 Leg</p> 	<p>H x2 shelf board</p> 	<p>I x2 Middle door panel</p> 
<p>J x1 Right door panel</p> 	<p>K x1 Left door panel</p> 	

## Hardware List

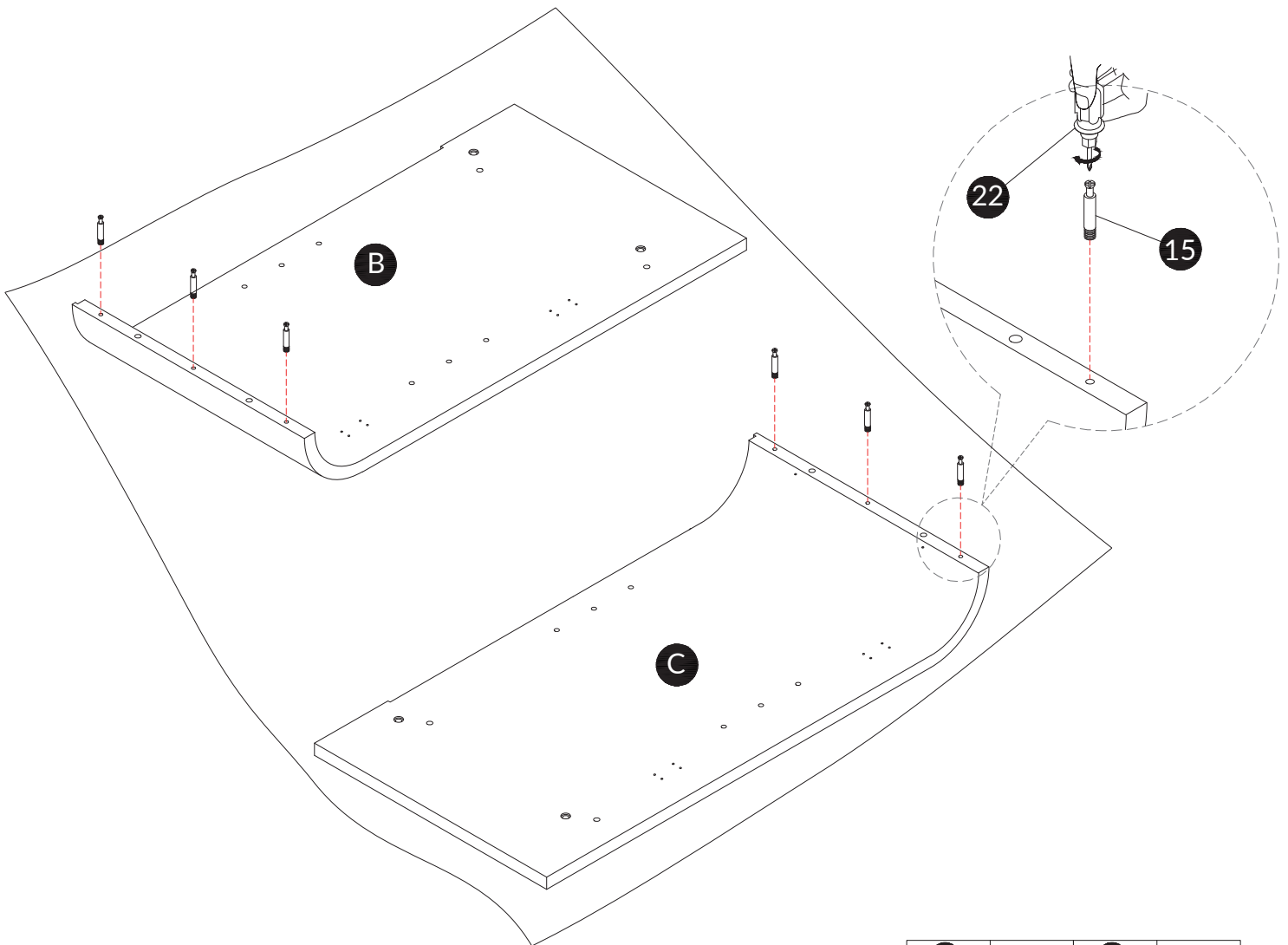
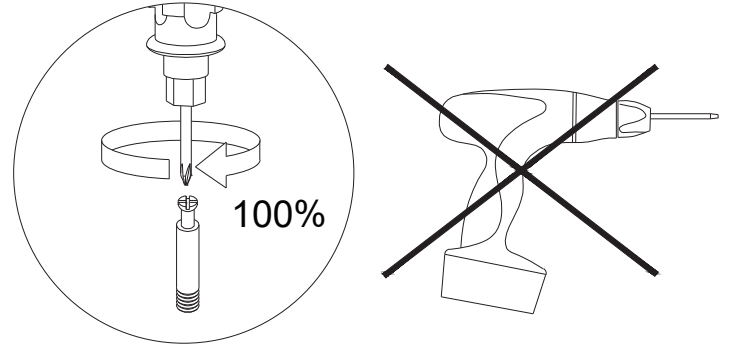
<p><b>1</b> x4+1 Sef-taoubg screw</p>  <p>D4 x20mm</p>	<p><b>2</b> x22+2 Sef-taoubg screw</p>  <p>D4x14mm</p>	<p><b>3</b> x8+1 Layerboard support</p> 
<p><b>4</b> x4 Expansion pipe</p> 	<p><b>5</b> x4 Anti-tip component</p> 	<p><b>6</b> x2 Anti-tippinb latch</p> 
<p><b>7</b> x4+1 Sef-taoubg screw</p>  <p>D4x40mm</p>	<p><b>8</b> x4+1 Sef-taoubg screw</p>  <p>D4 x30mm</p>	<p><b>9</b> x1 Hex wrench</p>  <p>M4</p>
<p><b>10</b> x48+4 Sef-taoubg screw</p>  <p>D4x16mm</p>	<p><b>11</b> x2 Door stopper</p> 	<p><b>12</b> x12+2 tree top</p>  <p>Ø8x30mm</p>

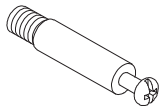
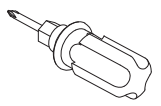
## Hardware List

<p><b>13</b> x4 Half-covered door hinge</p>  <p>Ø35nn</p>	<p><b>14</b> x4 Reinforced door hinge</p>  <p>Ø35nn</p>	<p><b>15</b> x8+1 three in one</p>  <p>M6x35mm</p>
<p><b>16</b> x8+1 Eccentric wheel</p> 	<p><b>17</b> x2+1 Straight repair screws</p>  <p>D6.3x40mm</p>	<p><b>18</b> x4+1 screw rod</p>  <p>M6x30mm</p>
<p><b>19</b> x4 Iron sheet</p> 	<p><b>20</b> x4+1 Non-slip mat</p>  <p>15x15x3mm</p>	<p><b>21</b> x4 Hold hands</p> 
<p><b>22</b> x1 Screwdriver</p> 	<p><b>23</b> x8+1 Self-tapping screw</p>  <p>D4x14mm</p>	<p><b>24</b> x4+1 Pull screw</p>  <p>D4x22mm</p>

## Step 1

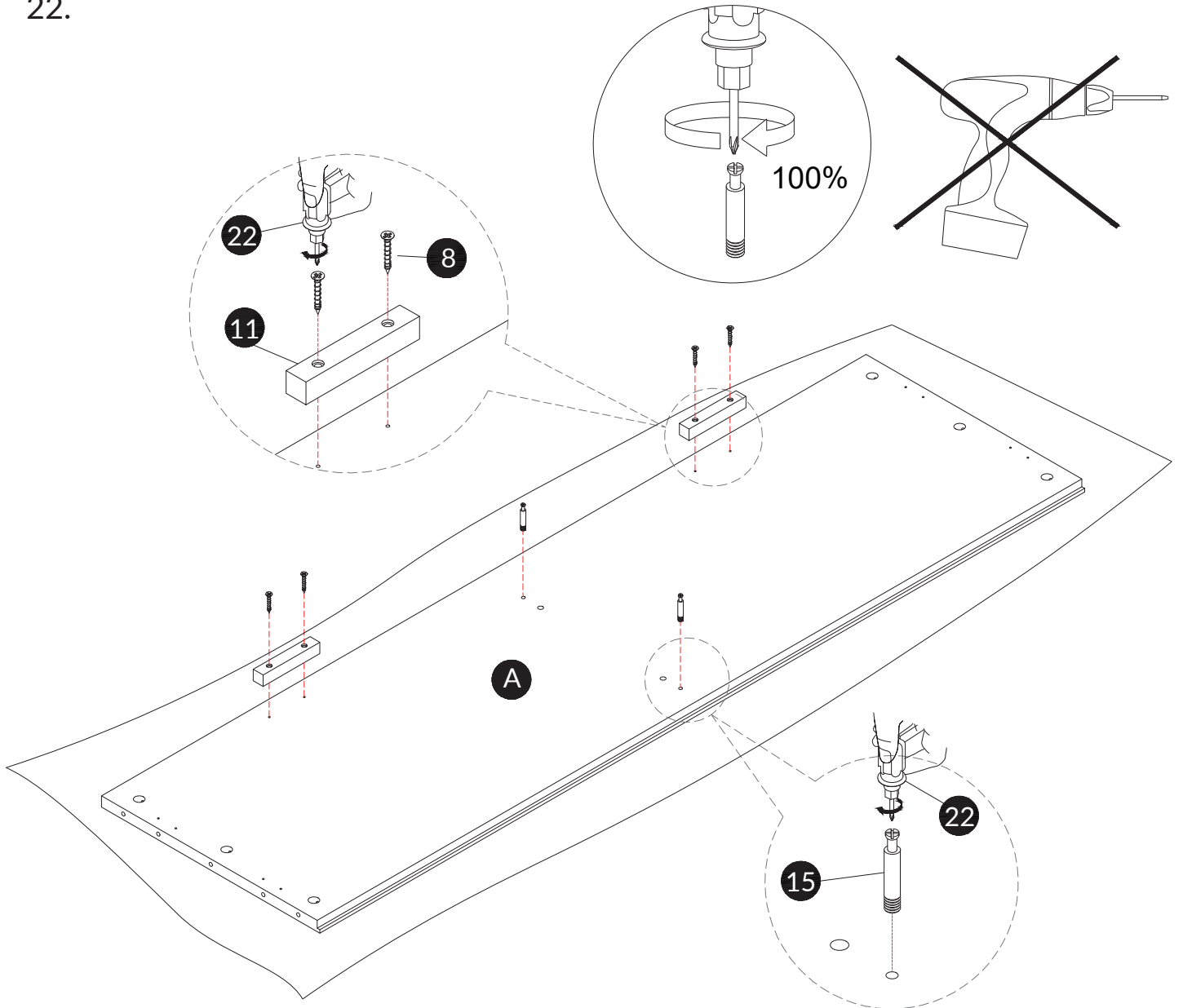
As shown in the figure: Insert the 15 three-in-one into the corresponding holes (B/C) and tighten it with screwdriver 22.

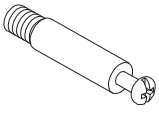
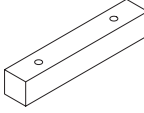
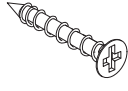
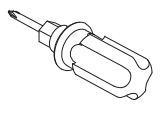


15	x6	22	x1
			
M6x35mm			

## Step 2

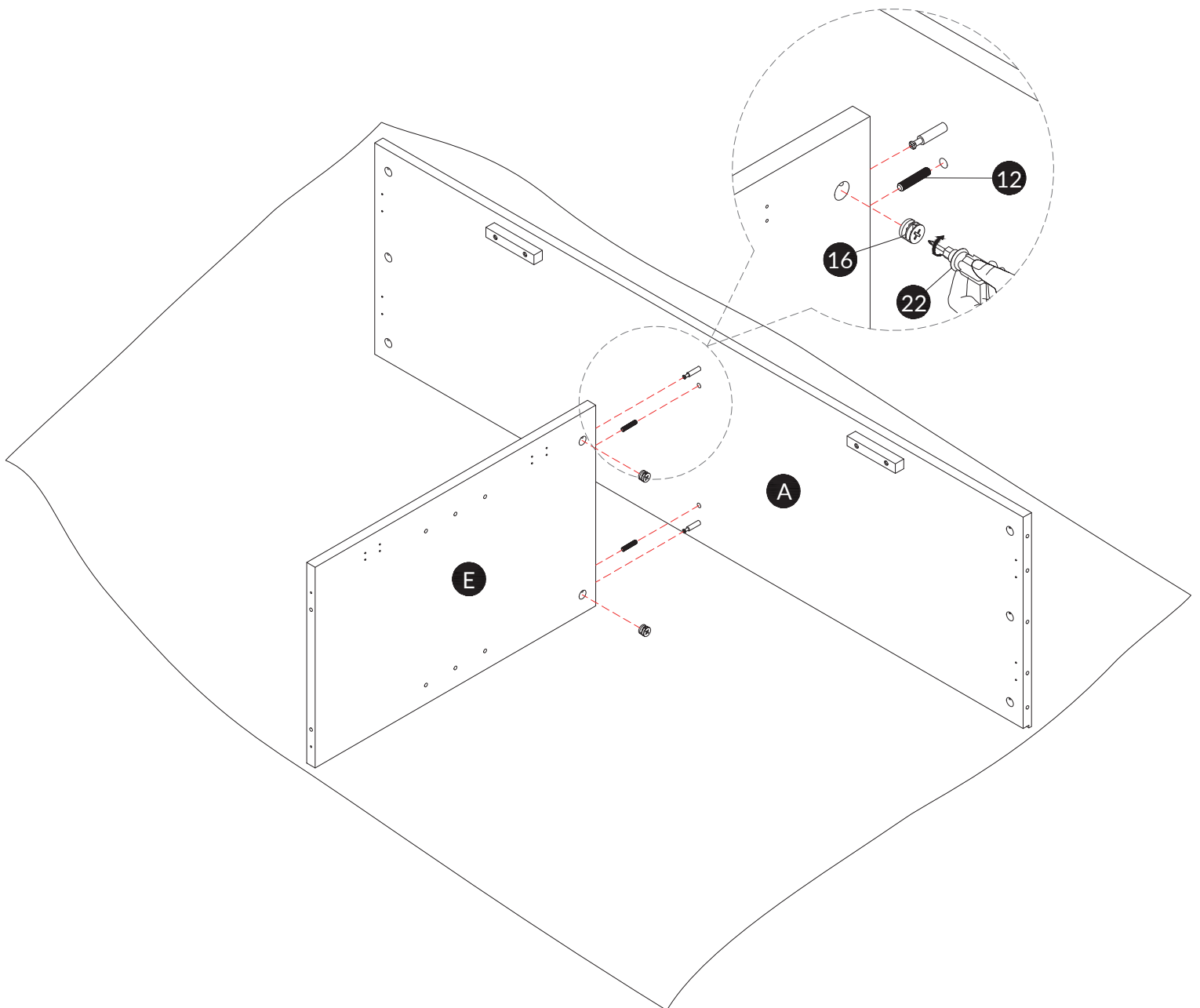
As shown in the figure: Insert the 15 three-in-one into the corresponding hole of the top plate A, and tighten it with screwdriver 22. Pass screw 8 through wooden block 11 and into the corresponding hole of the top plate A, and also tighten it with screw 22.


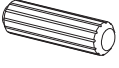
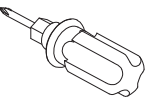


15	x2	11	x2	8	x4	22	x1
							
M6x35mm				D4x30mm			

### Step 3

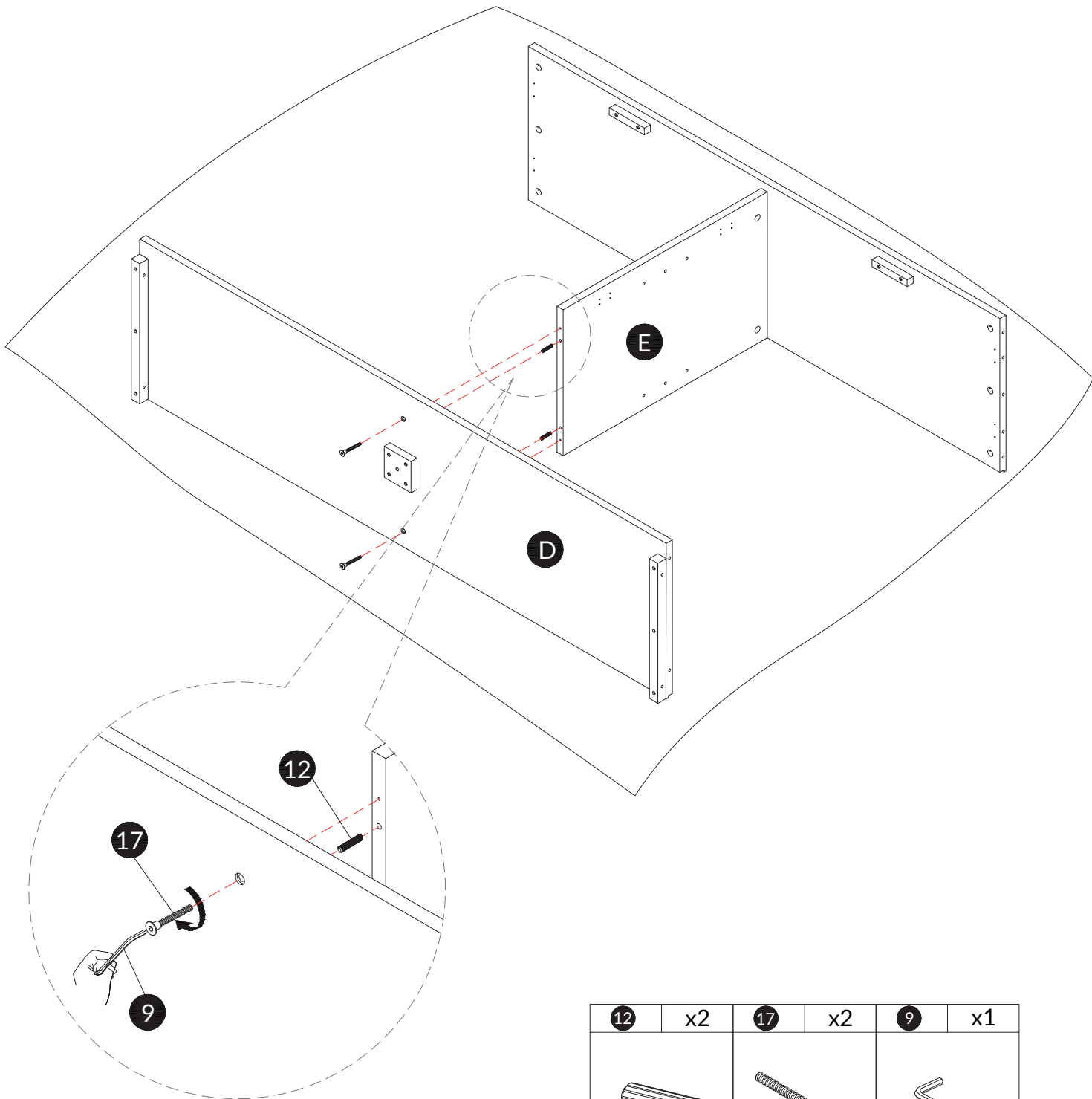
As shown in the figure: Insert the wood tip 12 into the corresponding hole position of the neutral plate E. Insert the eccentric wheel 16 into the corresponding hole position of the neutral plate E and tighten with screwdriver 22.

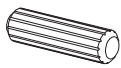
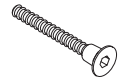
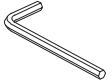


16	x2	12	x2	22	x1
					
		Ø8x30mm			

## Step 4

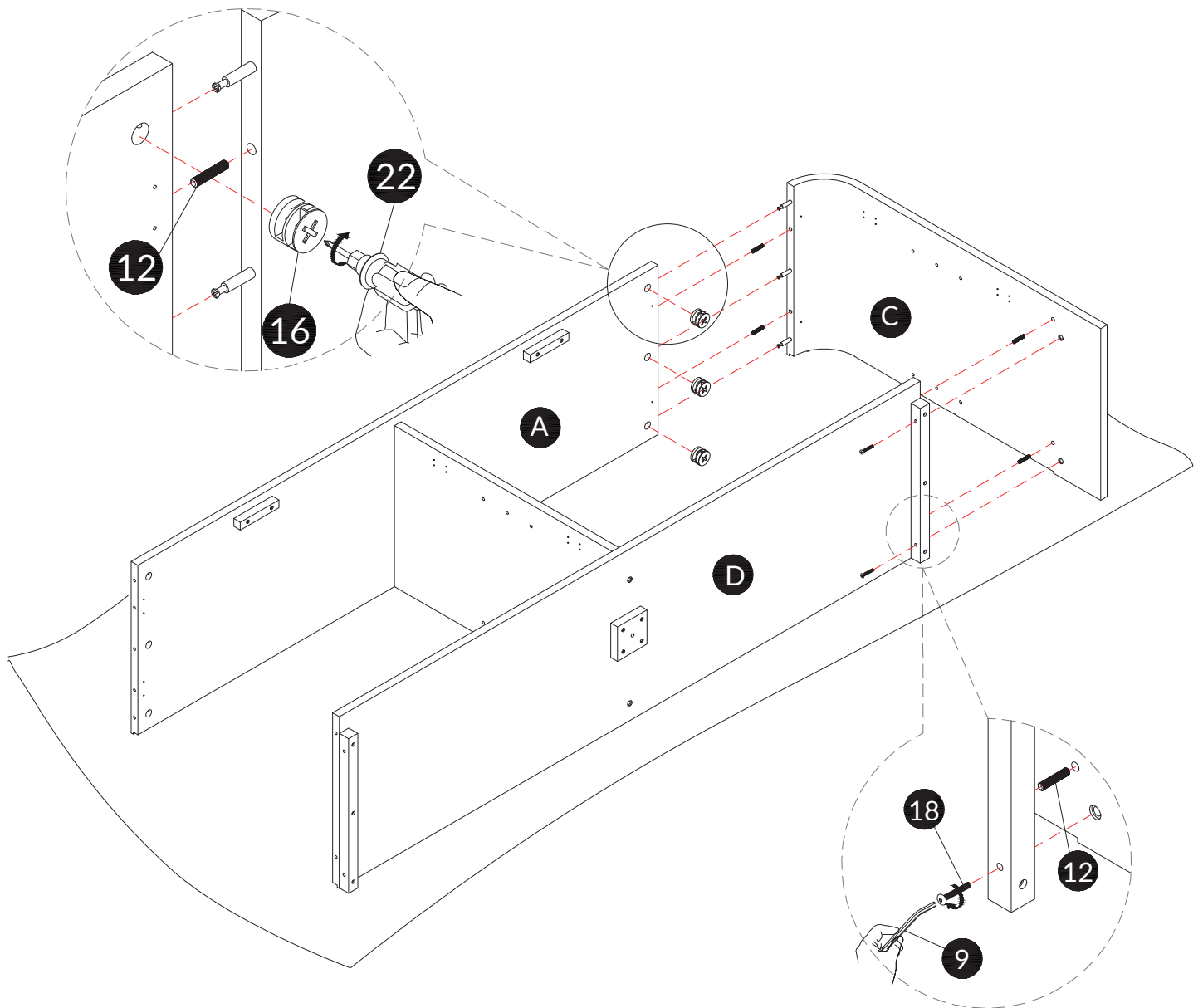
As shown in the figure: Insert wooden nozzle 12 into the corresponding hole of neutral plate E. Pass screw rod 17 through the bottom plate D into the corresponding hole of neutral plate E, and tighten it with wrench 9.

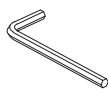
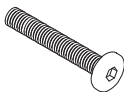

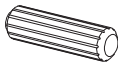
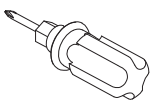


12	x2	17	x2	9	x1
					
Ø8x30mm		D6.3x40mm		M4	

## Step 5

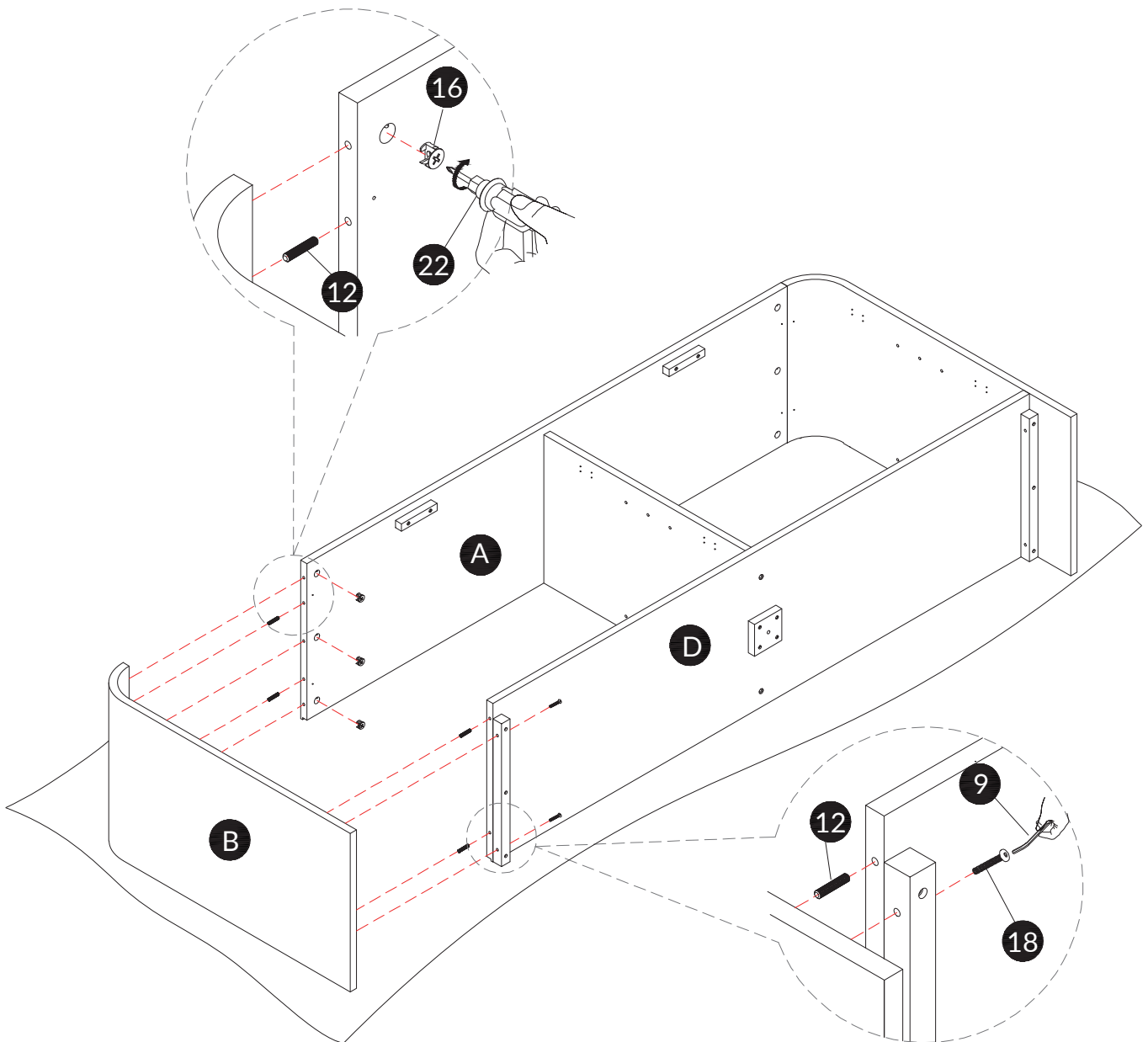
As shown in the figure: Insert the wooden tip 12 into the corresponding hole position of the top and bottom plate (A/D). Install the eccentric wheel 16 into the corresponding hole position of the top and bottom plate (A/D), and tighten it with screwdriver 22. Pass the screw rod 18 through the bottom plate D and insert it into the corresponding hole position of the side plate C, and tighten it with wrench 9.

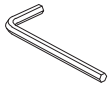
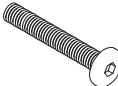

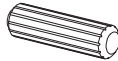
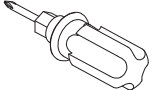


9	x1	18	x2	16	x3	12	x4	22	x1
									
M4		M6x30mm				Ø8x30mm			

## Step 6

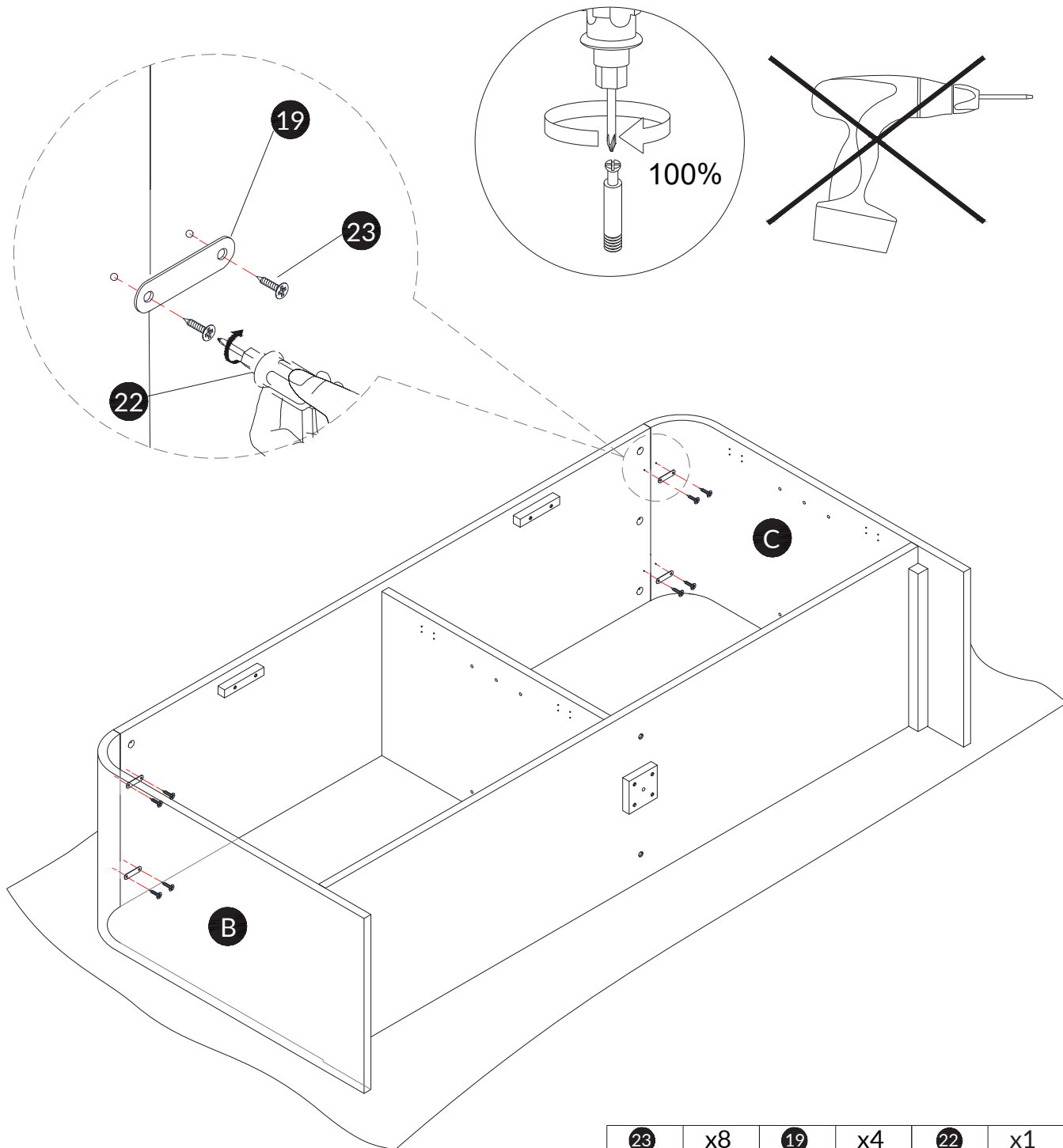
As shown in the figure: Insert the wood tip 12 into the corresponding hole position of the top and bottom plate (A/D). Install the eccentric wheel 16 into the corresponding hole position of the top and bottom plate (A/D), and tighten it with screwdriver 22. Pass the screw rod 18 through the bottom plate D and insert it into the corresponding hole position of the side plate B, and tighten it with wrench 9.

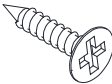
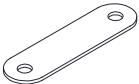
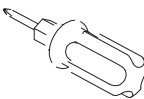


9	x1	18	x2	16	x3	12	x4	22	x1
									
M4		M6x30mm				Ø8x30mm			

## Step 7

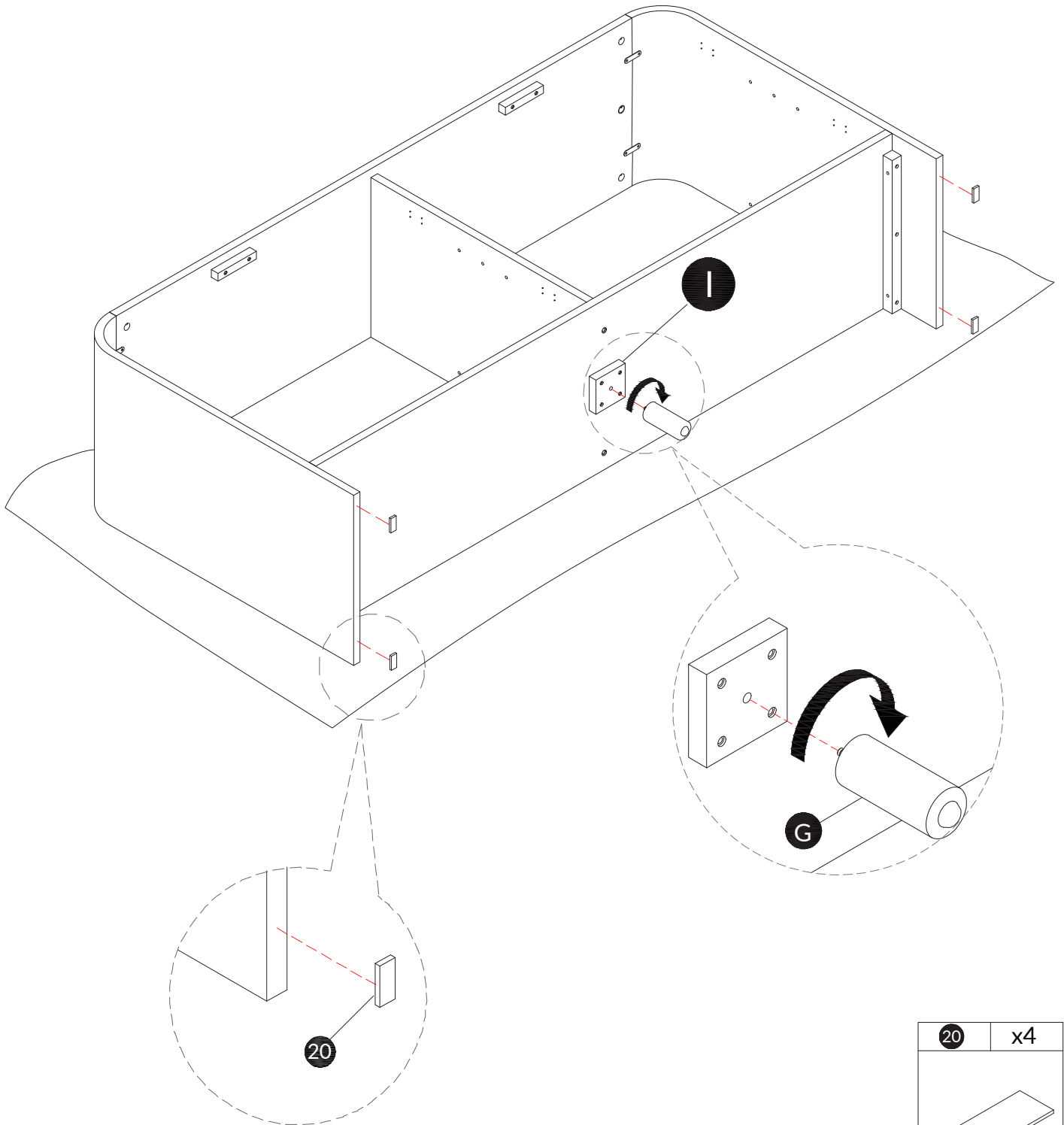
Insert screw 23 through iron piece 19 into the corresponding holes A/B/C on the panel side plate, and tighten with screwdriver 22.

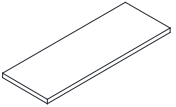


23	x8	19	x4	22	x1
					
D4x14mm					

## Step 8

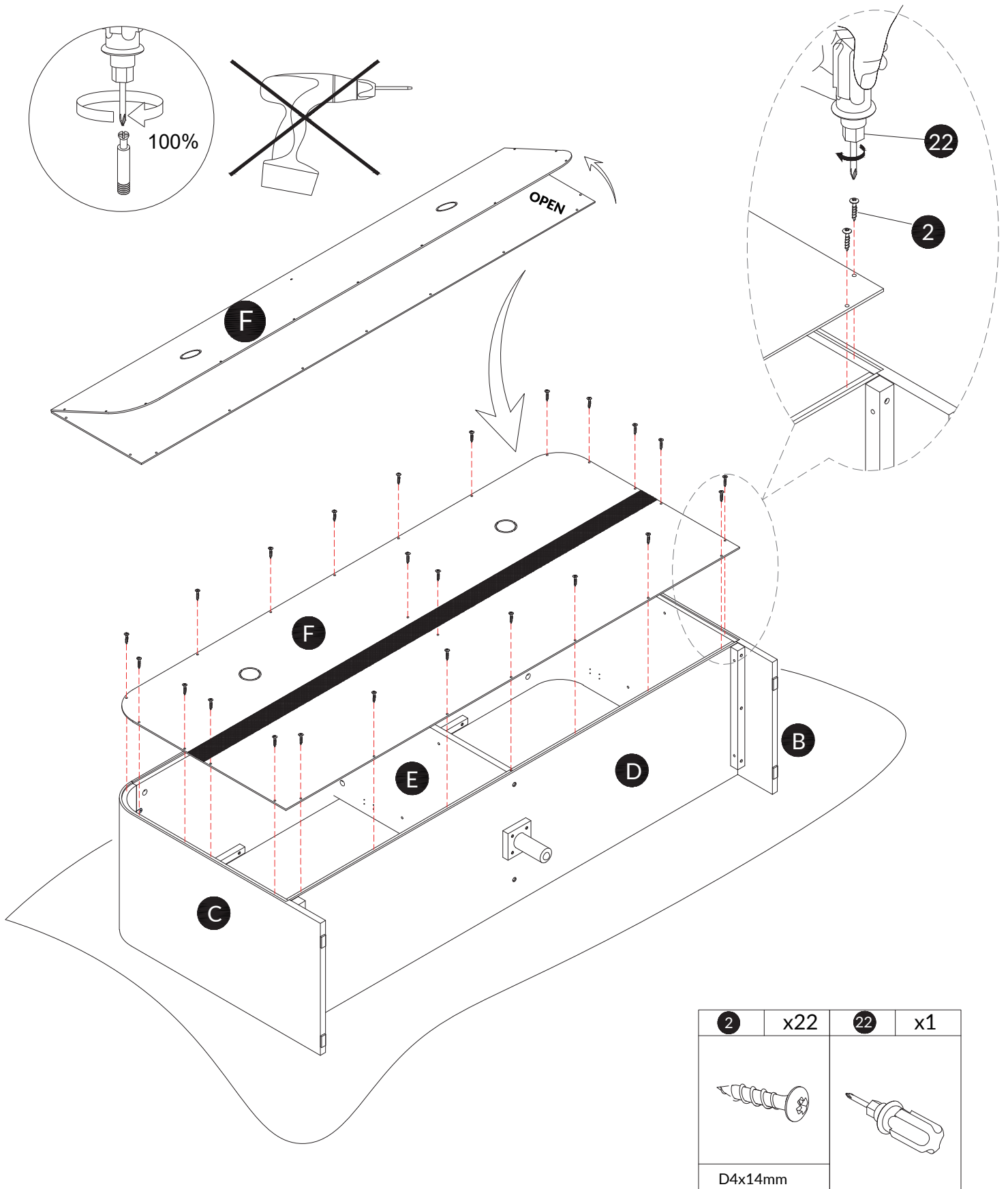
As shown in the figure: Insert the middle foot G into the corresponding hole of the wooden block I and tighten it. Stick the felt pad 20 to the bottom surface of the side panels B/C.



20	x4
	
15x15x16mm	

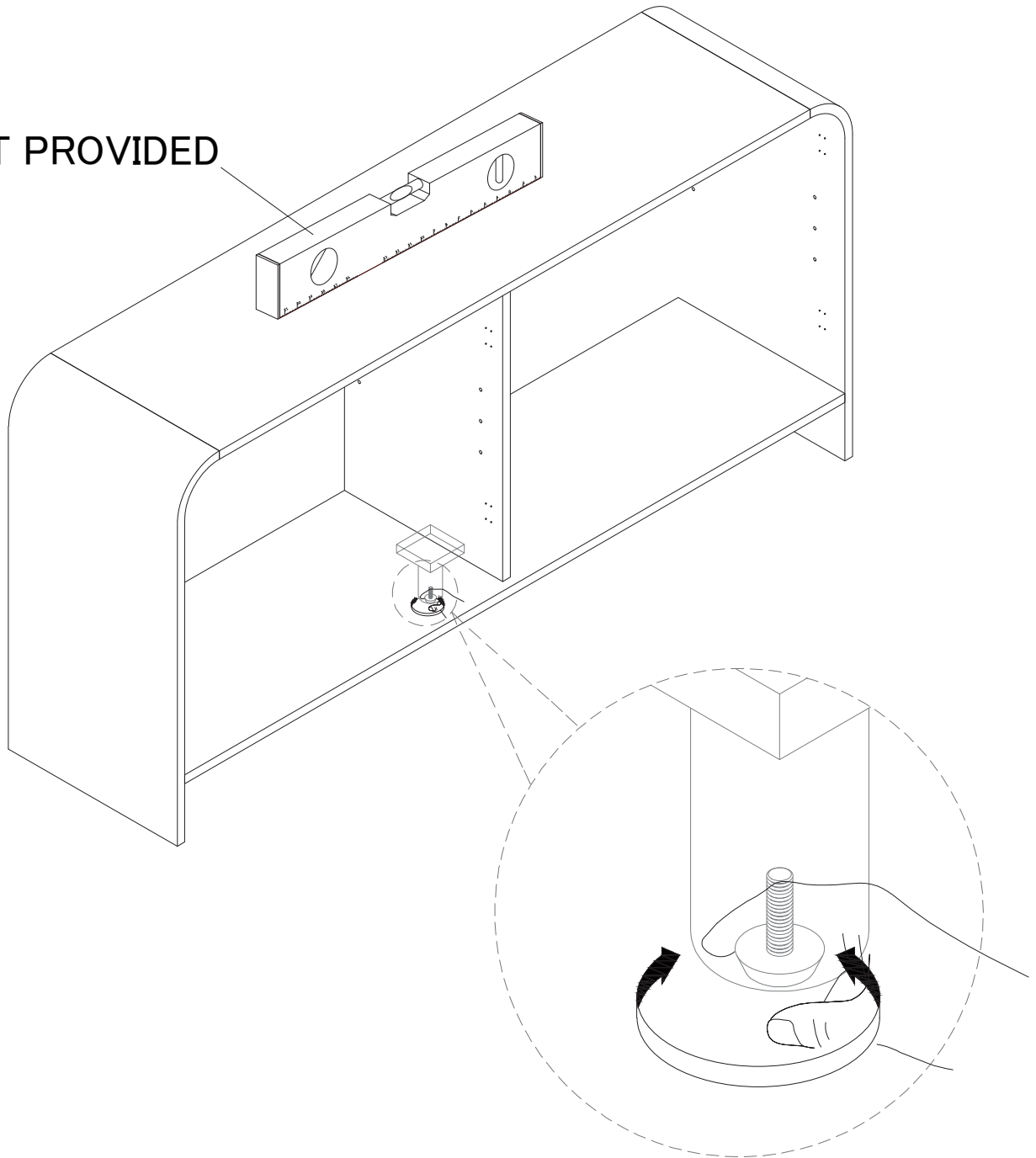
## Step 9

As shown in the figure: Open the back panel F and lay it flat in the cabinet back panel slot, pass screw 2 through the corresponding hole in back panel F, and tighten it with screwdriver 22.

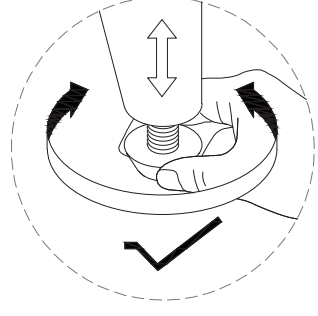
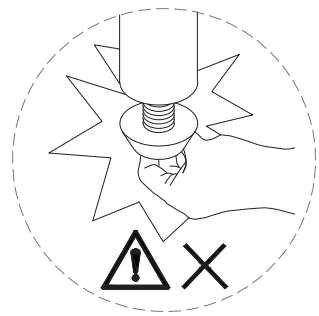


# Step 10

NOT PROVIDED

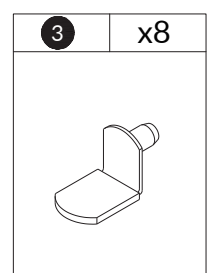
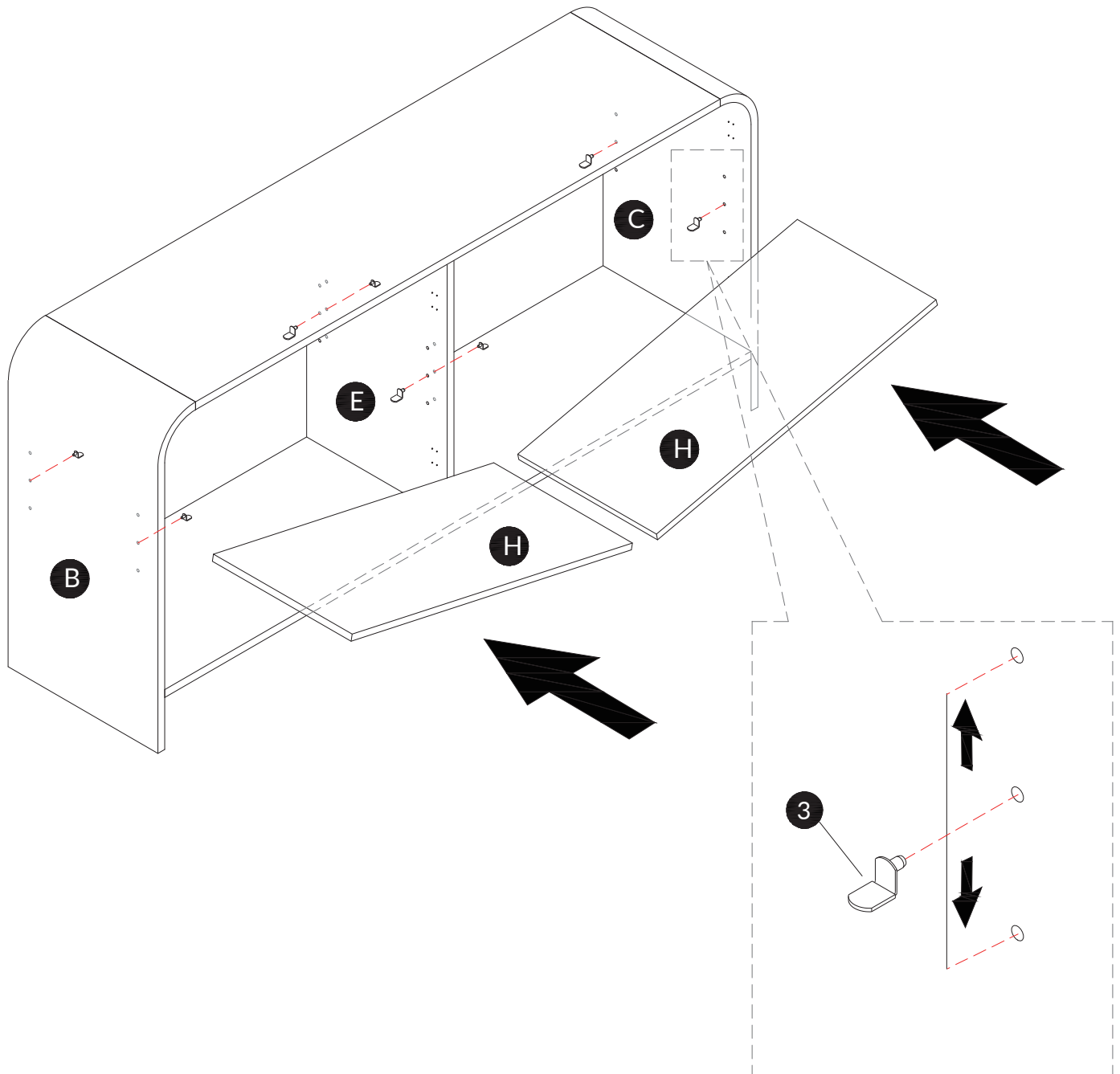


**!**  
Attention:  
Before the next step, adjust the feet of the locker to keep it level.



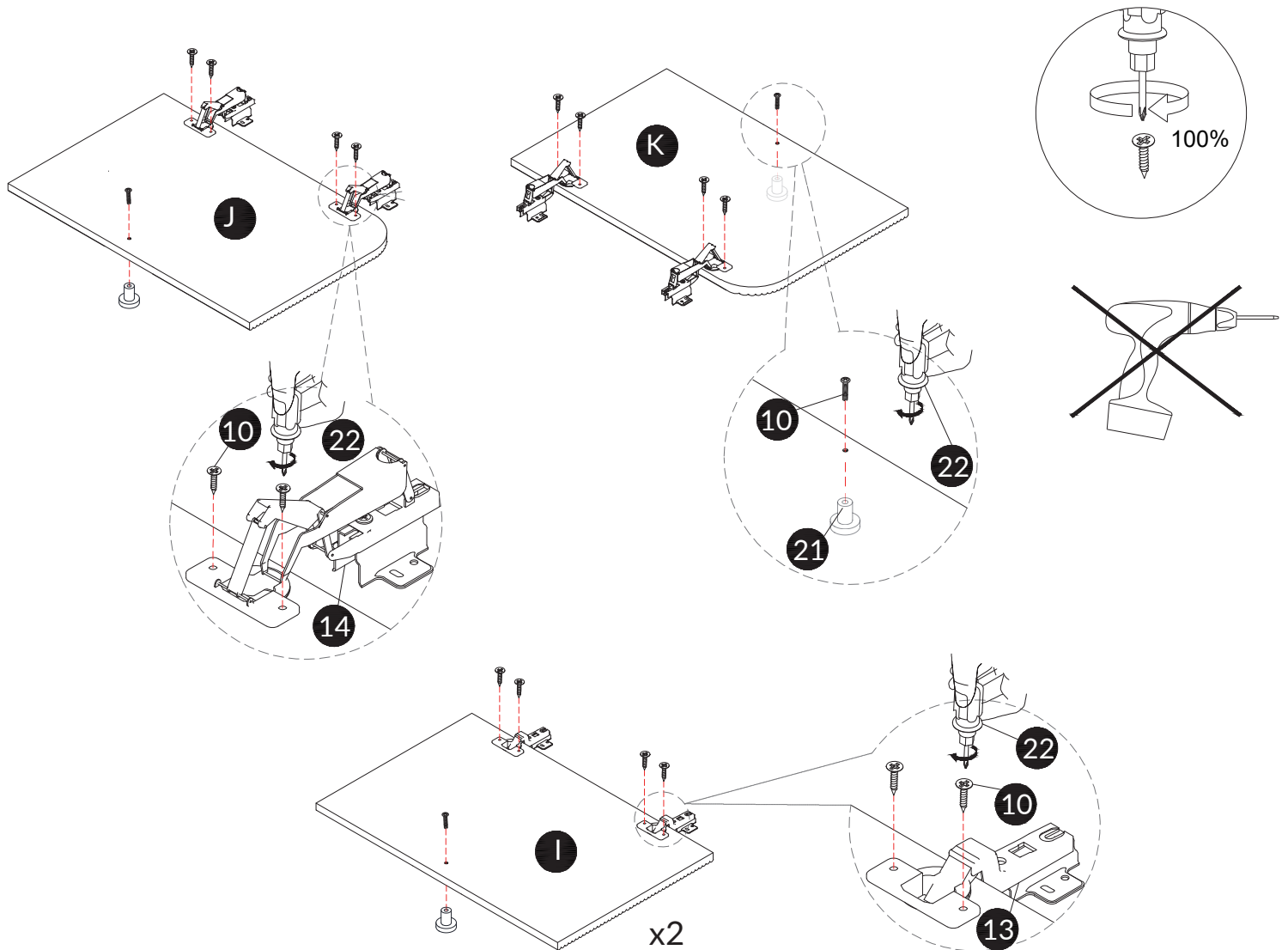
## Step 11


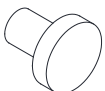

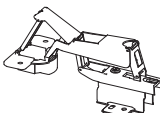
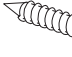
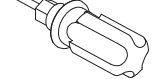
As shown in the figure: Install the laminate nail 3 into the corresponding hole position of the side plate B/C/E  
Put the shelf H into the inner shelf nail 3 of the cabinet



## Step 12

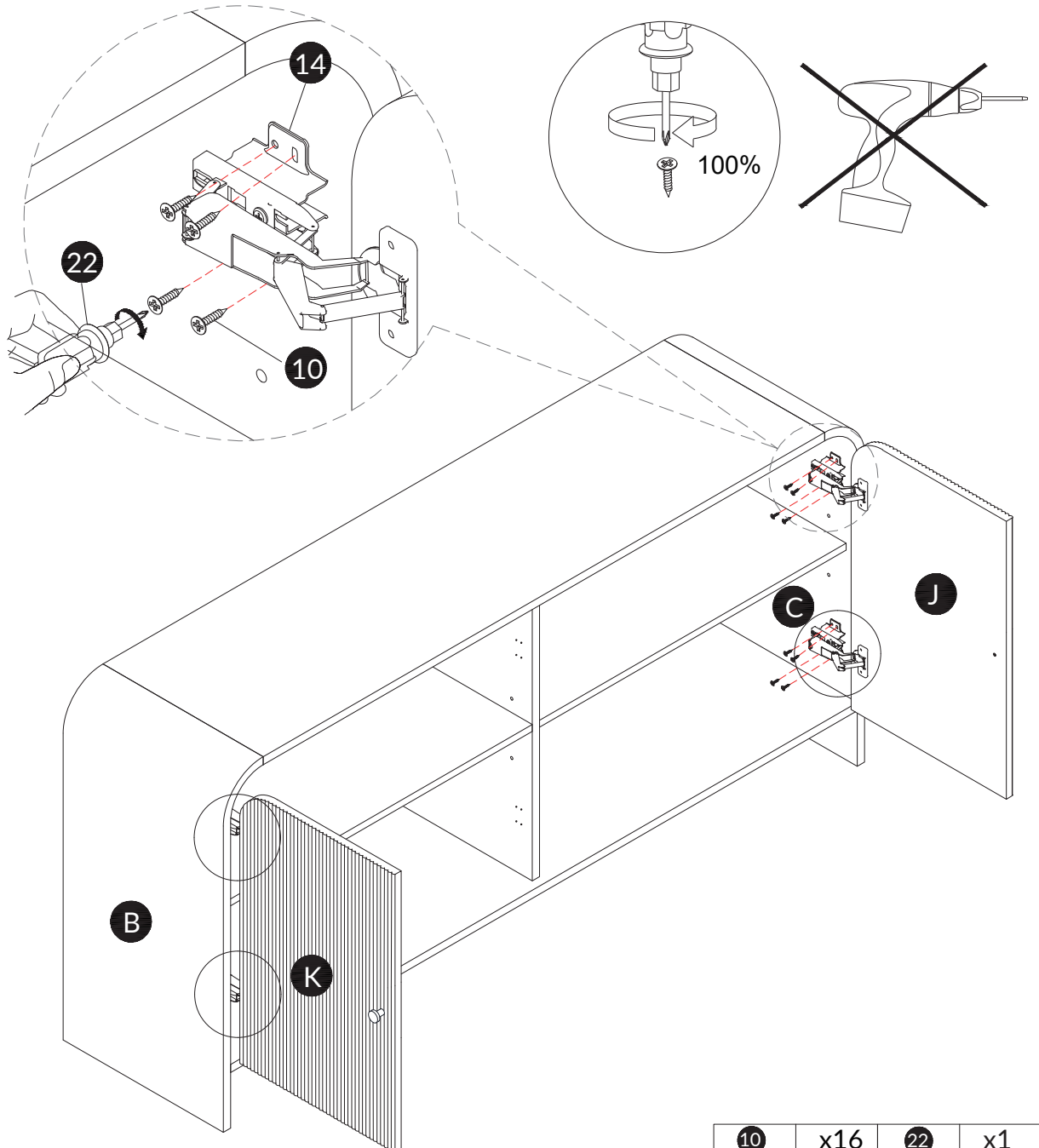
As shown in the figure: Insert screw 10 through the connecting iron. As shown in the figure: Install hinge 14 into the corresponding hole of door panel J/K and tighten screw 10 with a screwdriver. Install hinge 13 into the corresponding hole of door panel I and tighten screw 10 with a screwdriver. Pass screw 23 through handle 21 into the corresponding holes of door panel I/J/K and tighten with a screwdriver.

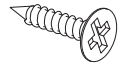
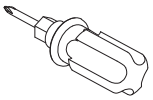


24	x4	21	x4	13	x4	14	x4	10	x16	22	x1
											
D4x22mm				Ø35 nn		Ø35 nn		D4x16mm			

## Step 13

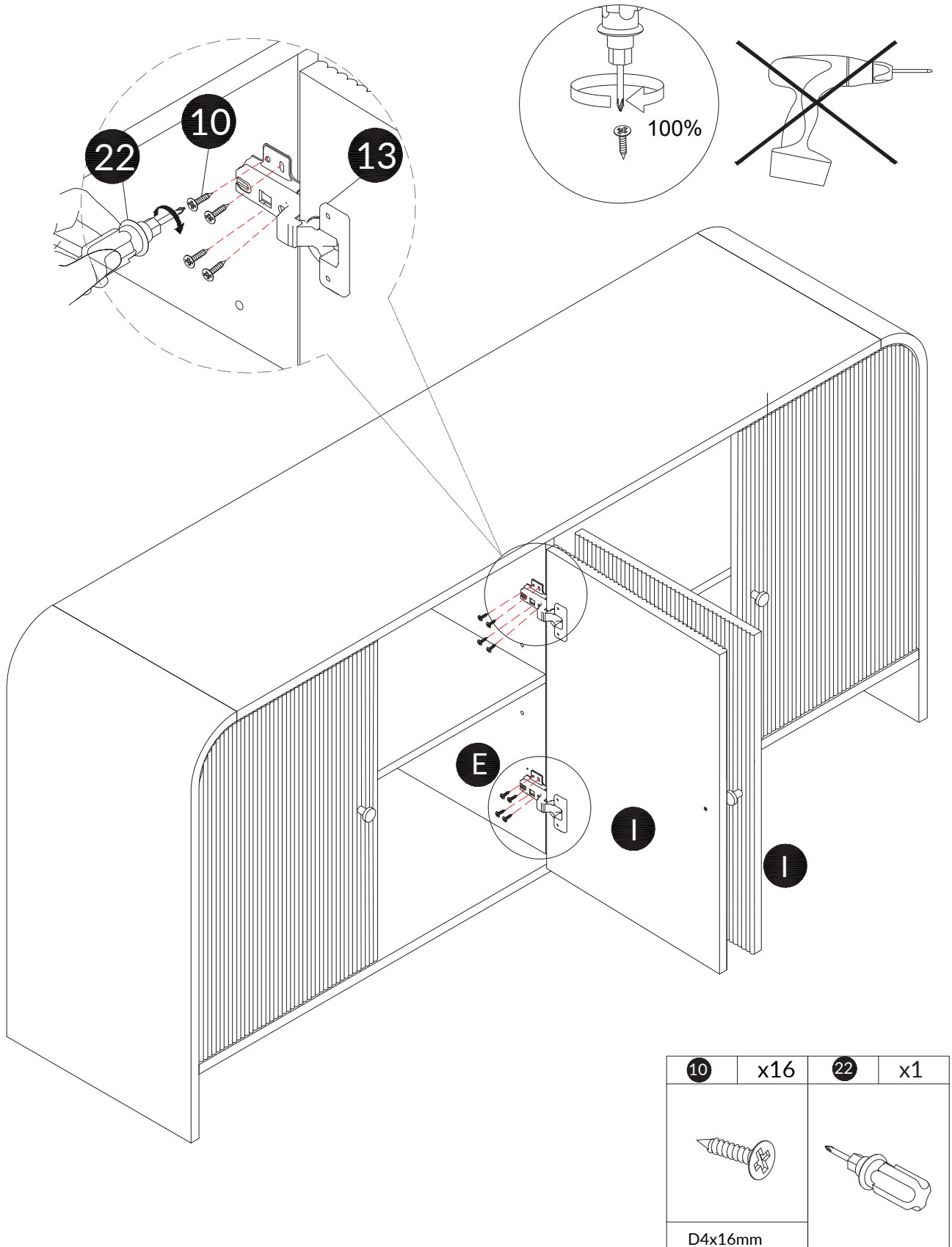
As shown in the figure: Insert screw 10 through hinge 14 on door panel J into the corresponding hole of side panel (C), and tighten with screwdriver 22. Insert screw 10 through hinge 14 on door panel K into the corresponding hole of side panel (B), and tighten with screwdriver 22.



10	x16	22	x1
			
D4x16mm			

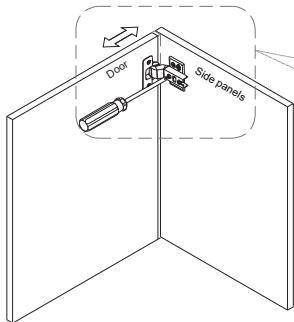
## Step 14

As shown in the figure: Insert screw 10 through the hinge 13 on the door panel L into the corresponding hole of the neutral plate E, and tighten with screwdriver 22.

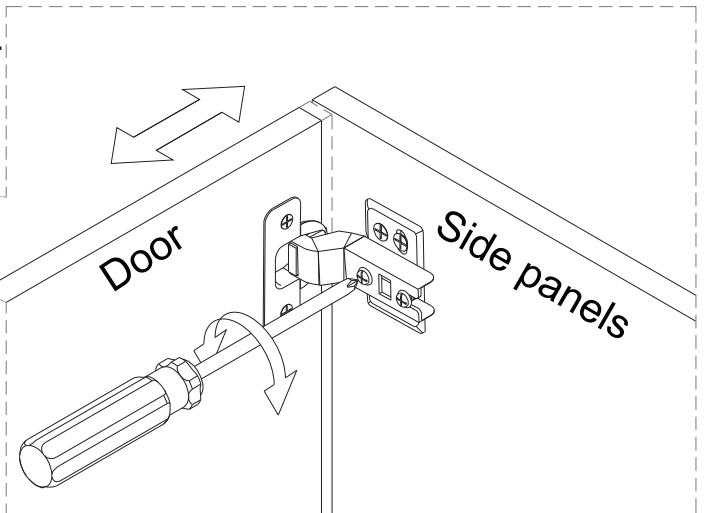


# Door Hinge Adjustment Instructions

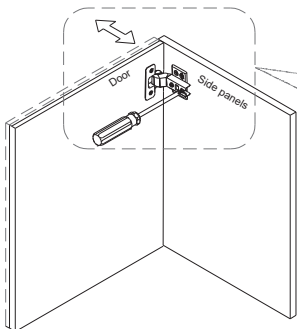
Concealed hinges are three-way adjustable.



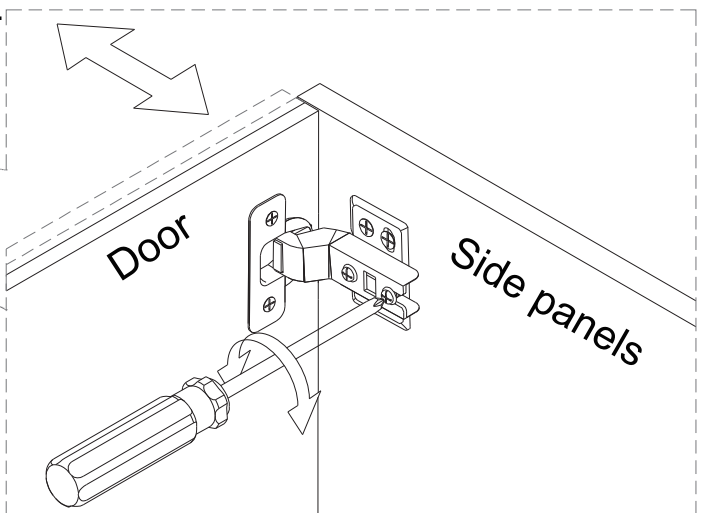
Horizontal by screw adjustment!



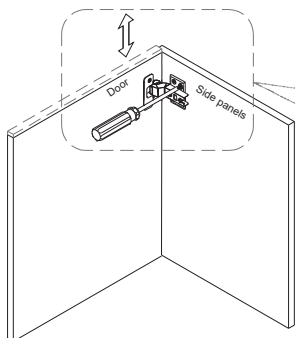
Concealed hinges are three-way adjustable.



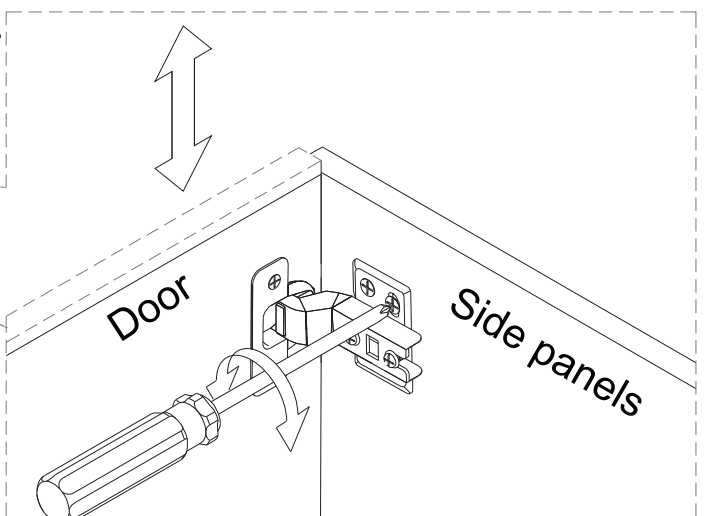
In-and-out by loosening the hinge arm mounting screw or via cam adjustment!



Concealed hinges are three-way adjustable.

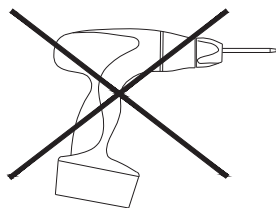
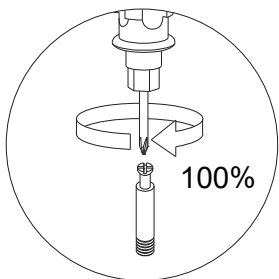
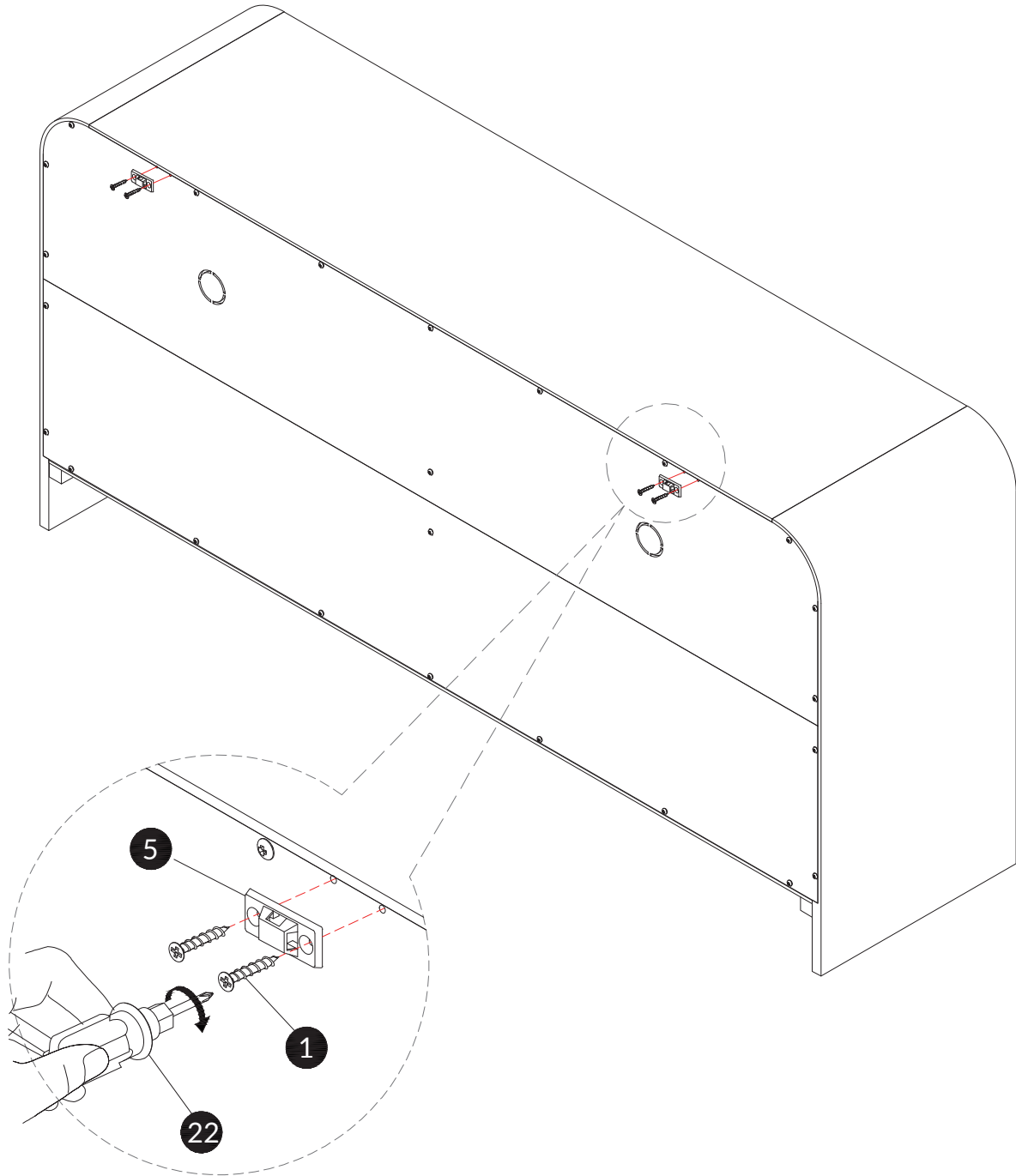



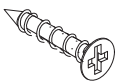
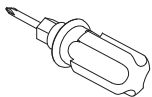
Vertical via slots in the mounting plate or via cam adjustment!



## Step 15

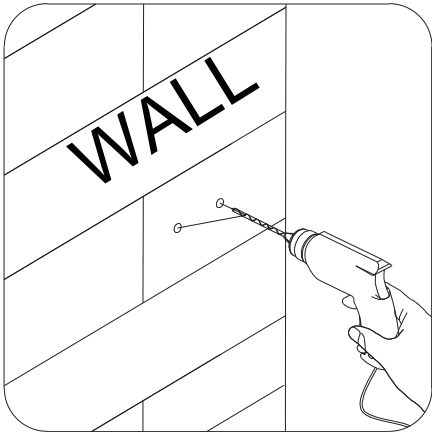
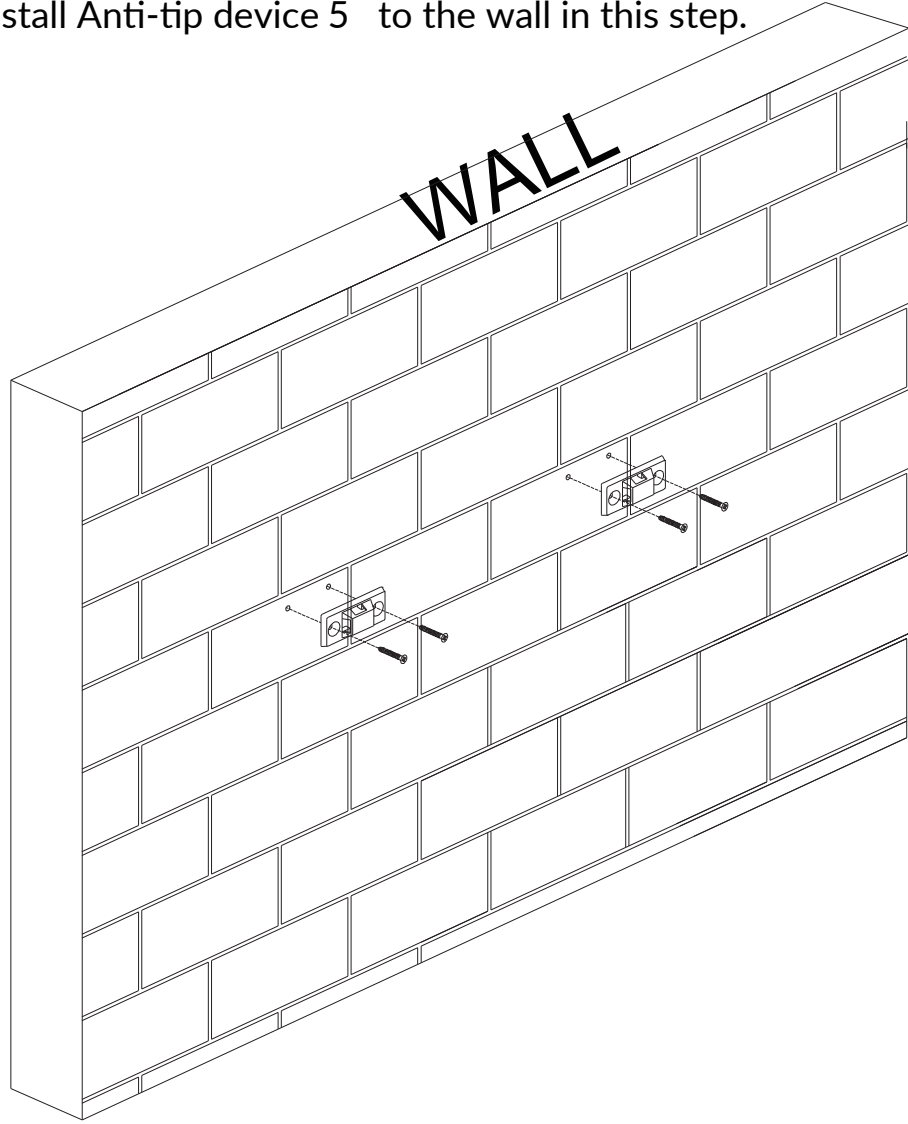
As shown in the figure: Screw 1 is inserted into the corresponding hole on the back of the cabinet through the anti-inverted buckle 5, and locked with a screwdriver 22



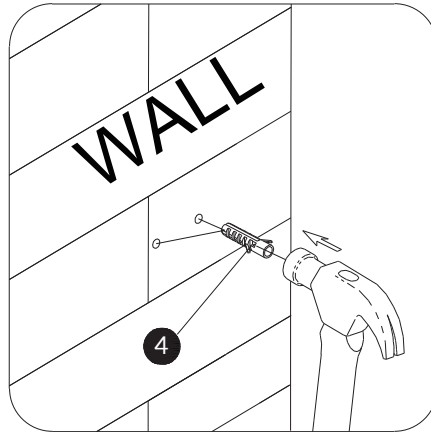
5	x2	1	x4	22	x1
					
		D4x20mm			

# Step 16

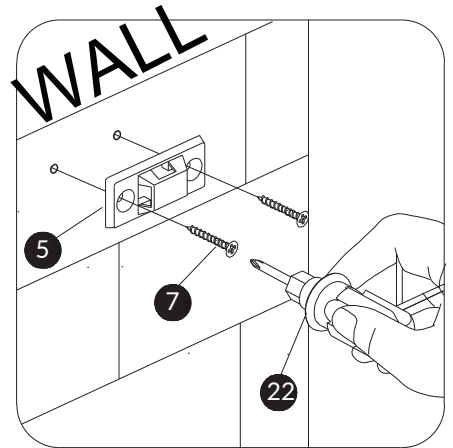
Install Anti-tip device 5 to the wall in this step.




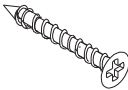
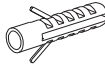
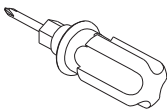
1. Drill a hole in the wall with an electric drill.



2. Tap the plastic wall anchor into the hole with a hammer.



3. Secure the Anti-tip device to the wall with screws

5 x2	7 x4	4 x4	22 x1
	 D4x40mm		

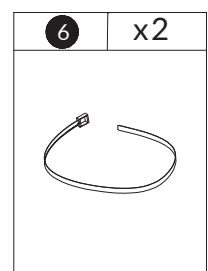
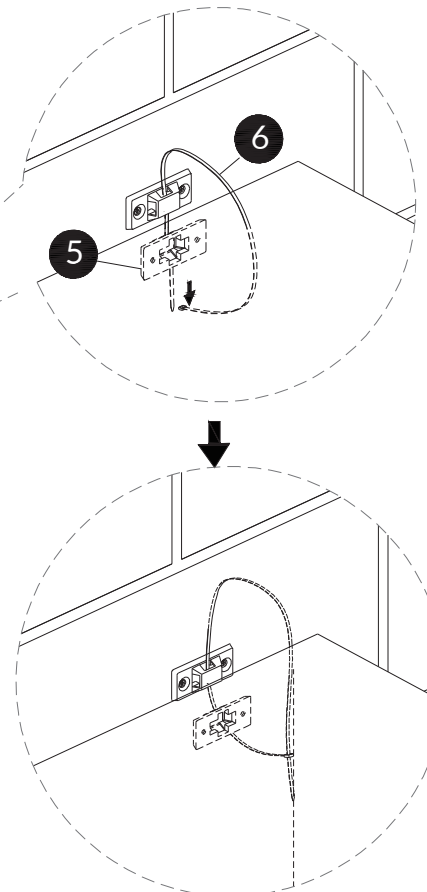
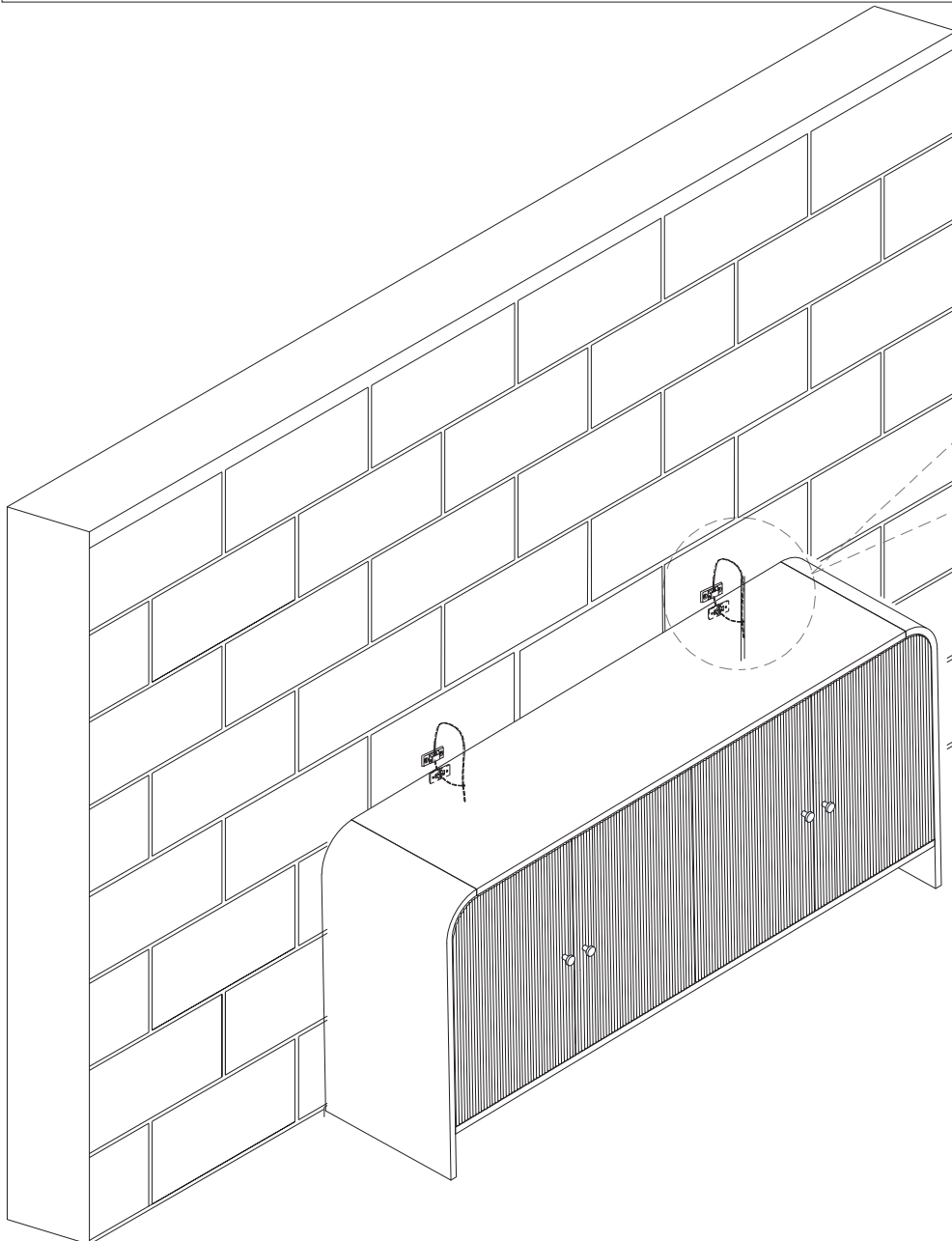
## Step 17

### WARNING

**Children have died from furniture tipover.**

**To reduce the risk of furniture tipover:**

- ALWAYS install Anti-tip device provided.
- For use with televisions weighing 35 lb or less. Use with heavier televisions may result in instability causing tip-over resulting in death or serious injury.
- NEVER allow children to stand, climb or hang on drawers, doors, or shelves.
- NEVER open more than one drawer at a time.
- Place heaviest items in the lowest drawers.



# WARRANTY

- We strive to offer quality products, and we also try our best to satisfy every customer who orders from us with products or services as needed.
- Replacement parts can be purchased from our company if available.
- For returns, please check the return policy with the retailer or marketplace where you purchased the item.