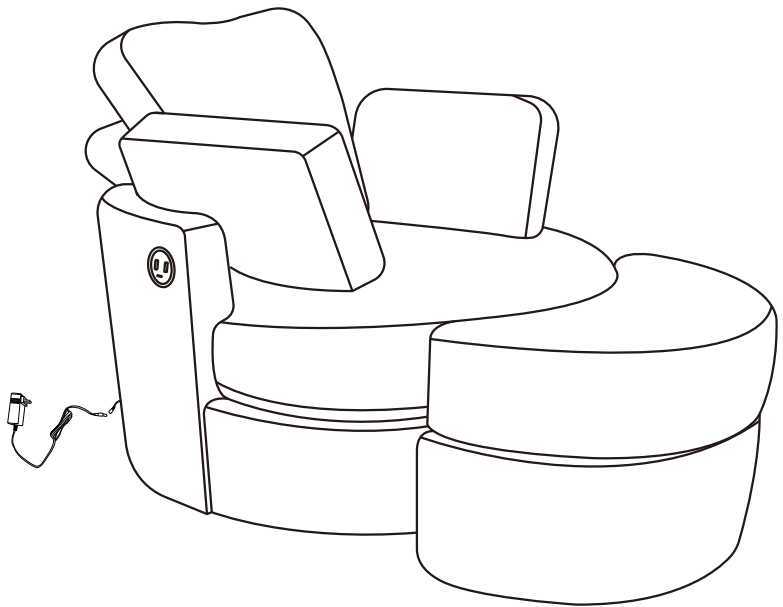


MANUAL INSTRUCTION

Swivel Chair with Half Moon Ottoman



ATTENTION

1. Please check the parts list and hardware list carefully to make sure you've received all parts.
2. If there are any missing parts, please contact us with-the missing part and the missing part number, we'll resend them to you ASAP.
3. If there are any damaged parts, please contact us with clear picture or clear video, we'll offer you the best solution after confirming it.

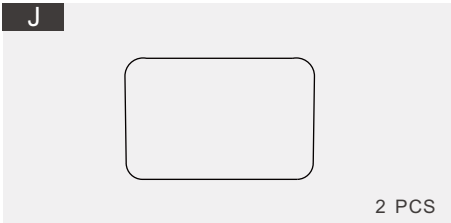
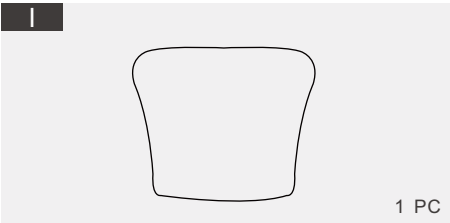
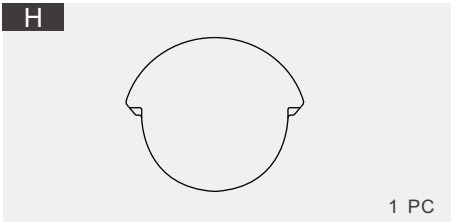
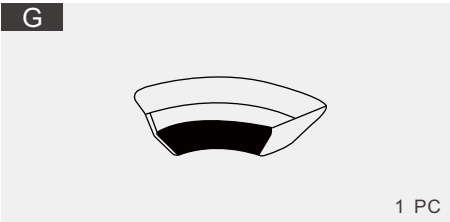
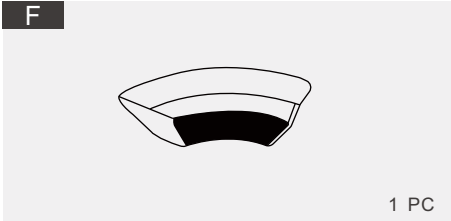
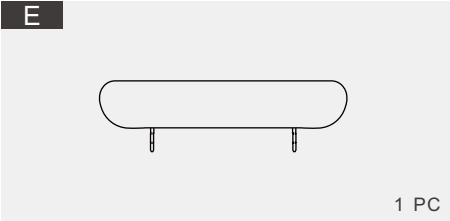
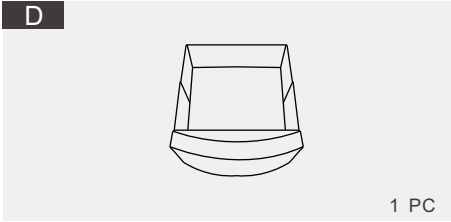
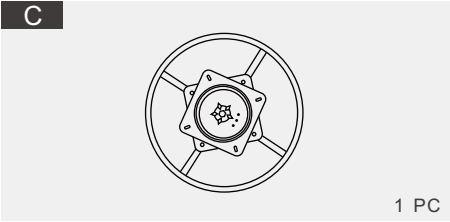
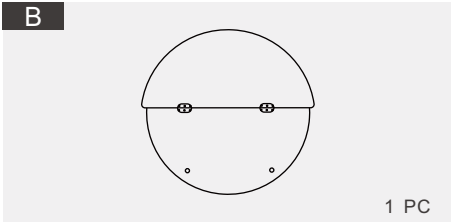
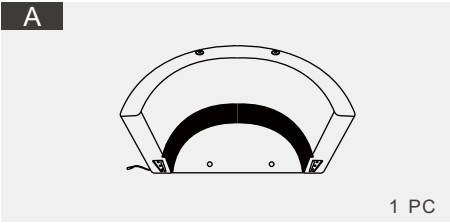
⚠ WARRANTY AND RETURN

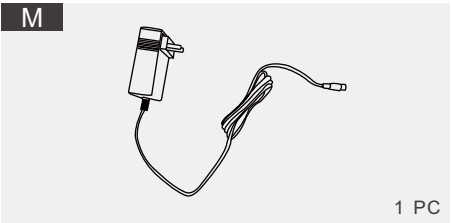
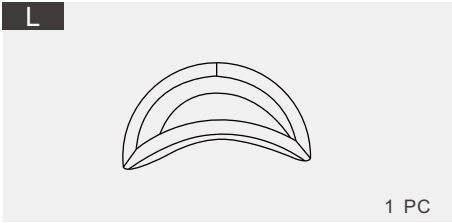
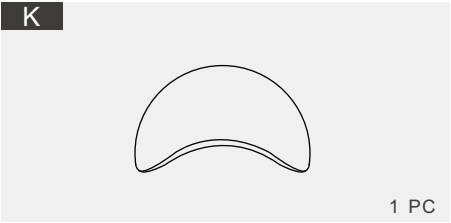
- We offer 1 year warranty and free replacement for all damaged or defective parts you received. Check the condition of your package once upon the delivery.
- If you have any questions, please contact our customer service immediately.

! CONTACT INFORMATION

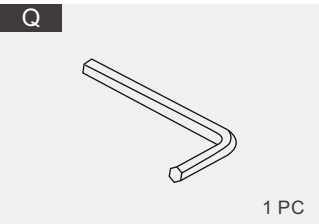
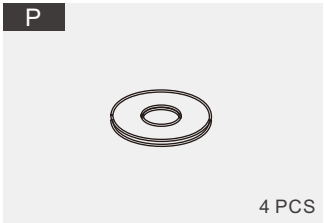
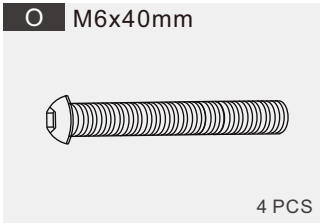
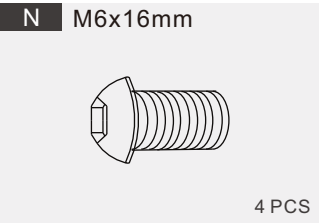
- If you order our product on Shopify, please contact us at service @meissalivve.com, our service team will reply within 24 hours.

PARTS



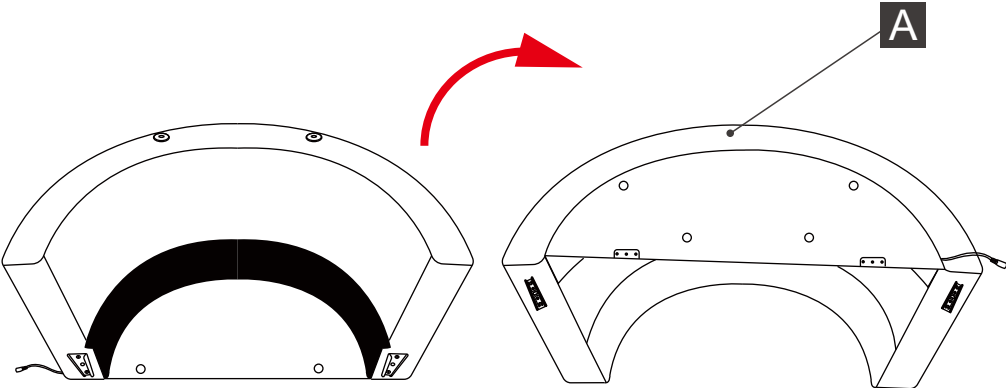


I HARDWARE

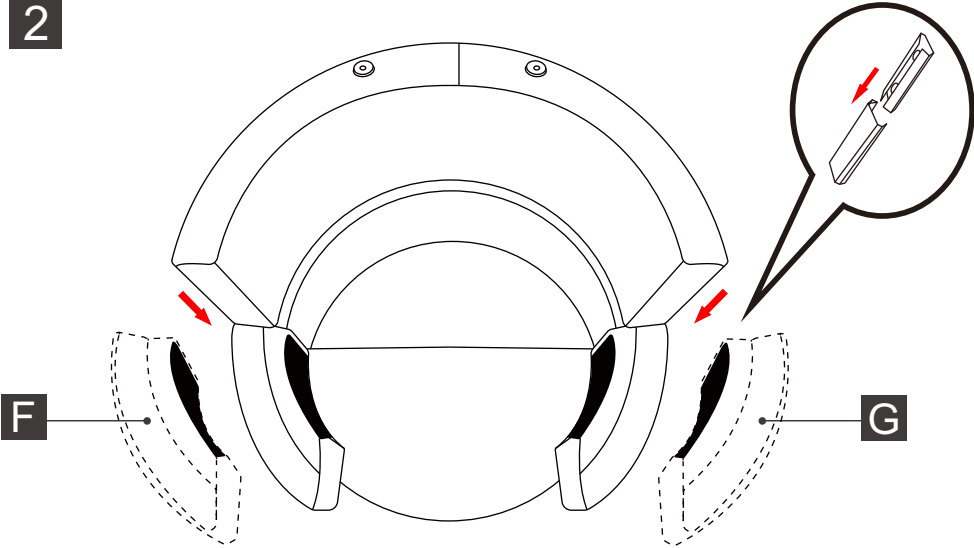


I PRODUCT ASSEMBLY

1

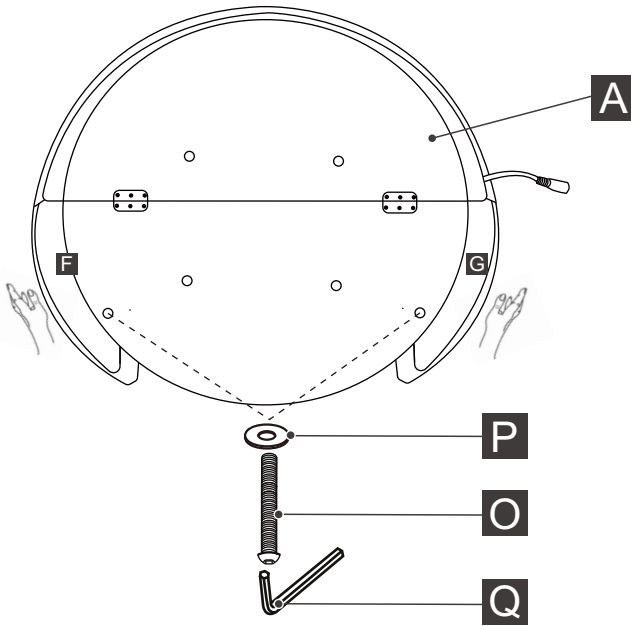


2

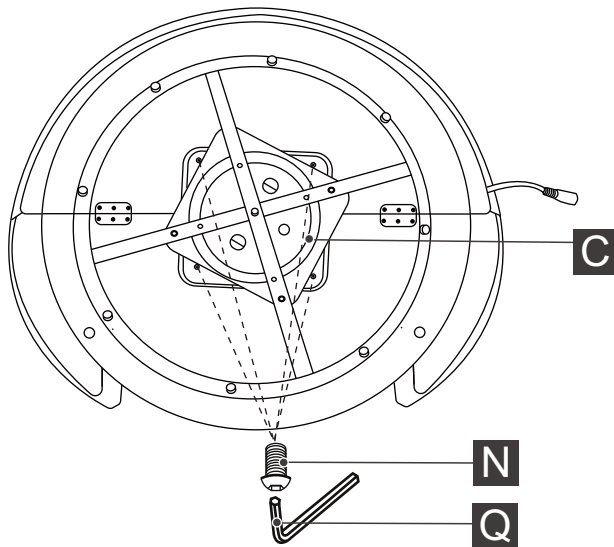


I PRODUCT ASSEMBLY

3 Note: When installing this step, please hold the F/G with your left hand and tighten the screw from top to bottom with your right hand. Otherwise, there is a risk of F/G dropping

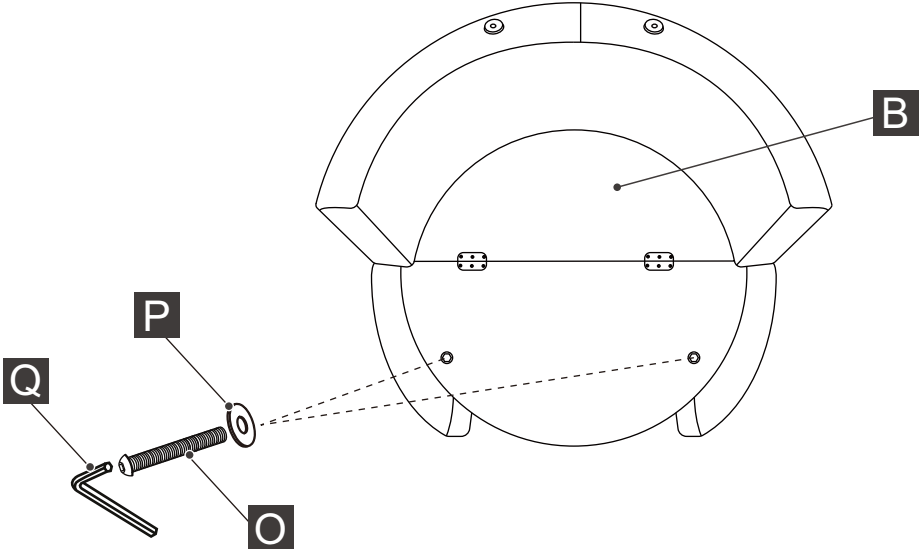


4

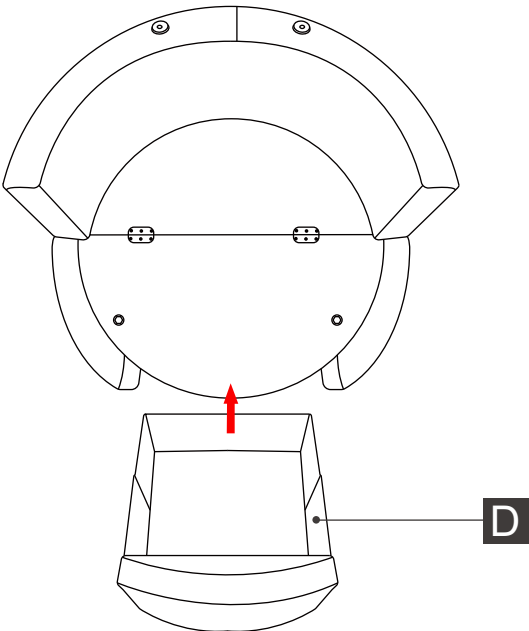


I PRODUCT ASSEMBLY

5

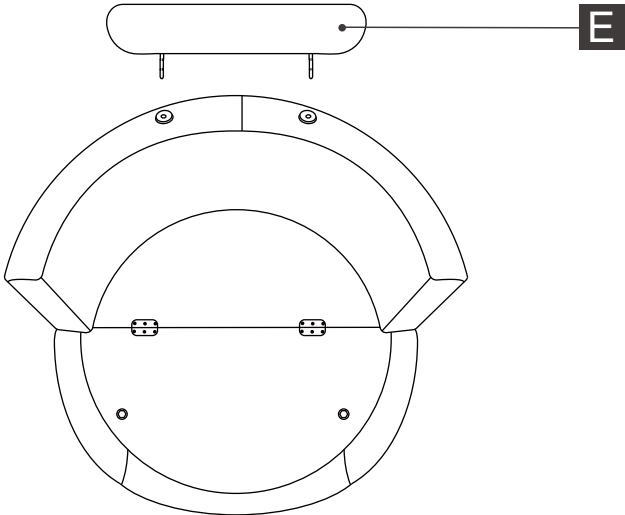


6



I PRODUCT ASSEMBLY

7



8

