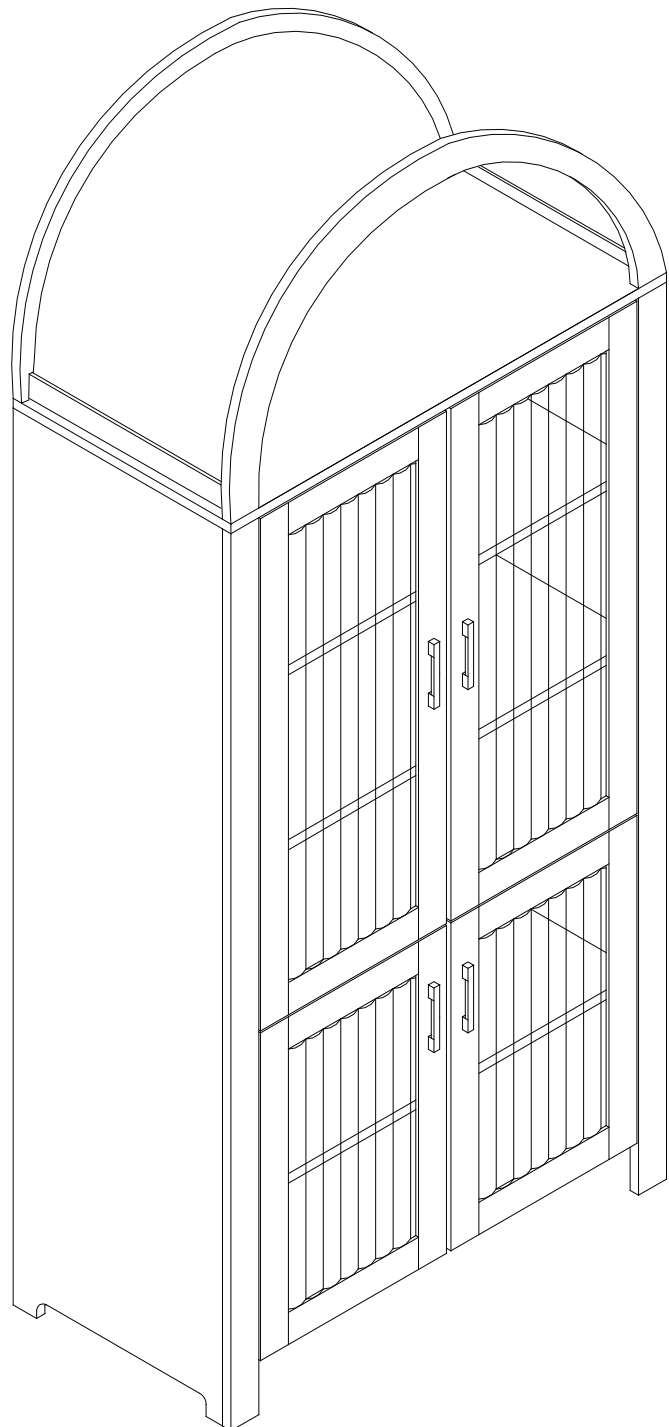
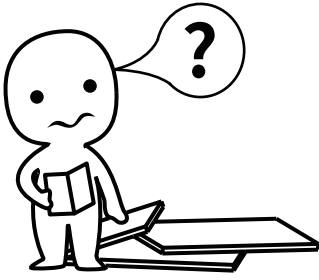


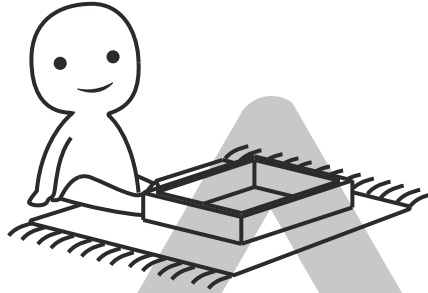
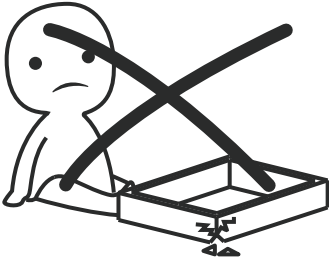
INSTALLATION MANUAL





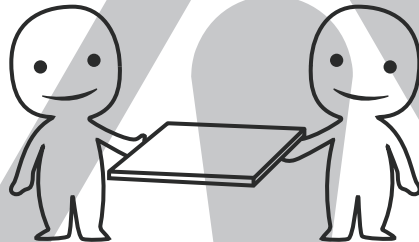
IMPORTANT INFORMATION!

please read the entire manual before starting to assemble and/or using this product. Follow the manual thoroughly and keep it for further reference.



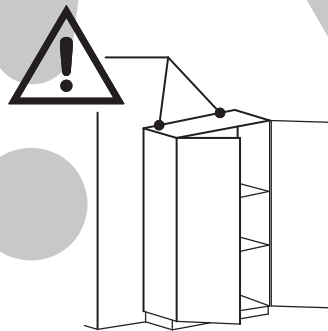
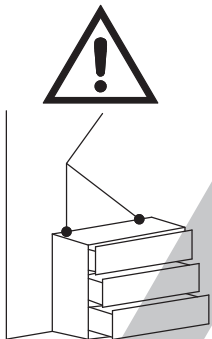
AVOID SCRATCHES!

In order to avoid scratching this furniture should be assembled on a soft layer-could be a rug.



IMPROVE EFFICIENCY !

Try to find a partner to install with you, which can speed up the installation efficiency and shorten the time.



ANTI-TOPPLE WARNING !

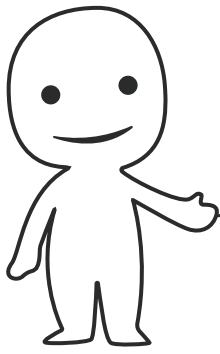
Overturnd furniture can cause serious or fatal crush injuries. To prevent tipping over, be sure to use the wall attachment, if not included with this product. Please purchase the wall attachment that fit your wall. If unsure, seek professional advice. Please read and follow each step of the instructions carefully.

IMPORTANT !

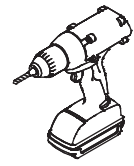
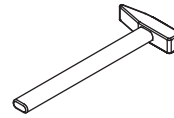
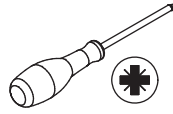
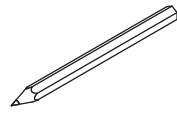
It is important that any product which is assembled using any kind of screw is re-tightened 2 weeks after assembly, and once every 3 months - in order to assure stability through-out the lifespan of the product.

For regular maintenance and cleaning of the product, for the frame, please use a rag dipped in neutral detergent to fully wipe it, and then dry it with a clean rag. For glass materials, wipe with a rag dampened with water glass cleaner, and then dry with a dry rag.


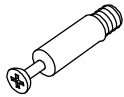

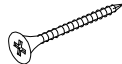

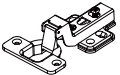




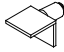


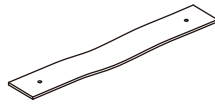


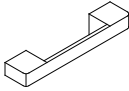
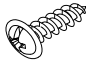
Do not use an electric screwdriver, and do not use too much force when installing, because the board is easy to break.

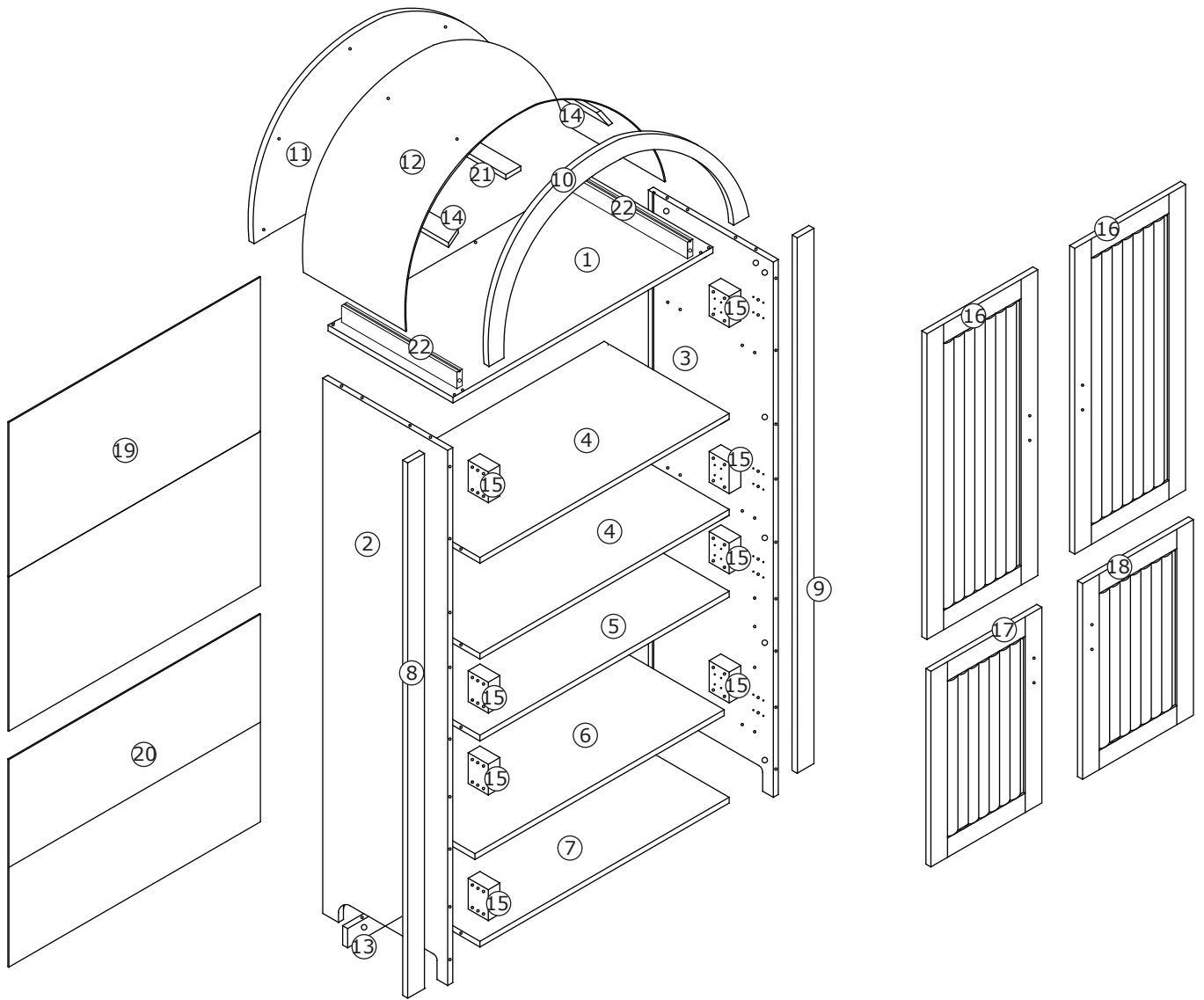


Please prepare the following tools



When installing, please carefully confirm whether each screw corresponds to the manual, accessories with similar shapes can be distinguished by size

A x 43  Ø 15 x 10 mm	B x 43  Ø 6 x 35 mm	C x 50  Ø 6 x 30 mm	D x 44  Ø 4 x 35 mm	E x 48  Ø 3.5 x 14 mm
F x 8 	G x 16 	H x 16  Ø 3 x 14 mm	I x 18 	J x 6 
K x 4 	L x 1  Ø 4 x 14 mm	M x 2 	N x 1 	O x 1 
P x 8  Ø 4 x 18 mm	Q x 4 	R x 2  Ø 3 x 12 mm		



⚠ WARNING

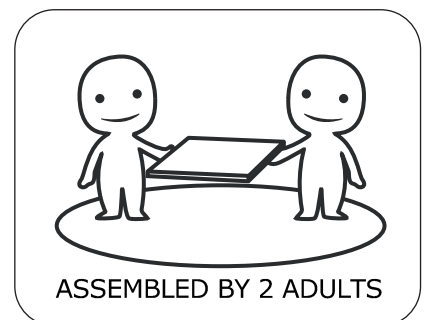


Children have died from furniture tipover. To reduce the risk of furniture tipover:

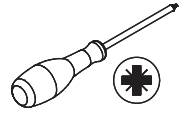
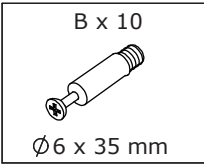
- ALWAYS install Anti-tip device provided.
- NEVER put a TV on this product.
- NEVER allow children to stand, climb or hang on drawers, doors, or shelves.
- NEVER open more than one drawer at a time.
- Place heaviest items in the lowest drawers.



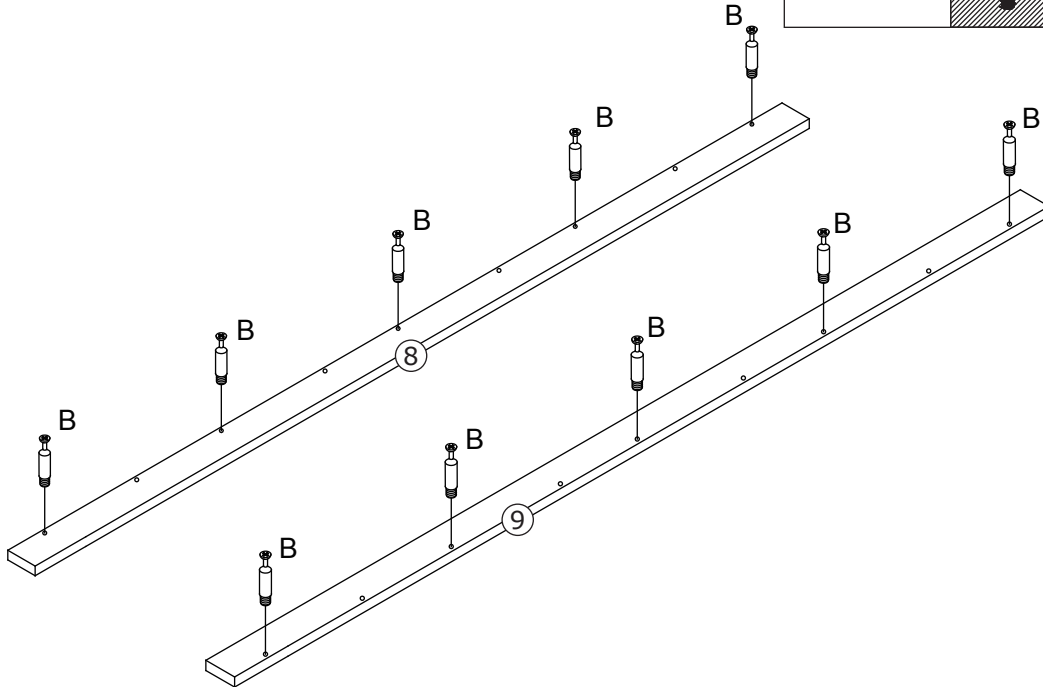
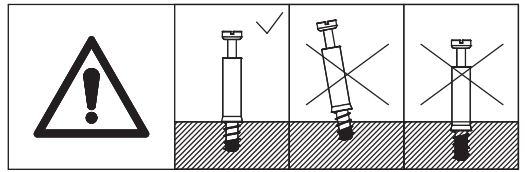
*This is a permanent label.
Do not remove!*



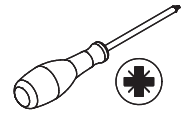
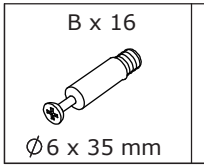
1



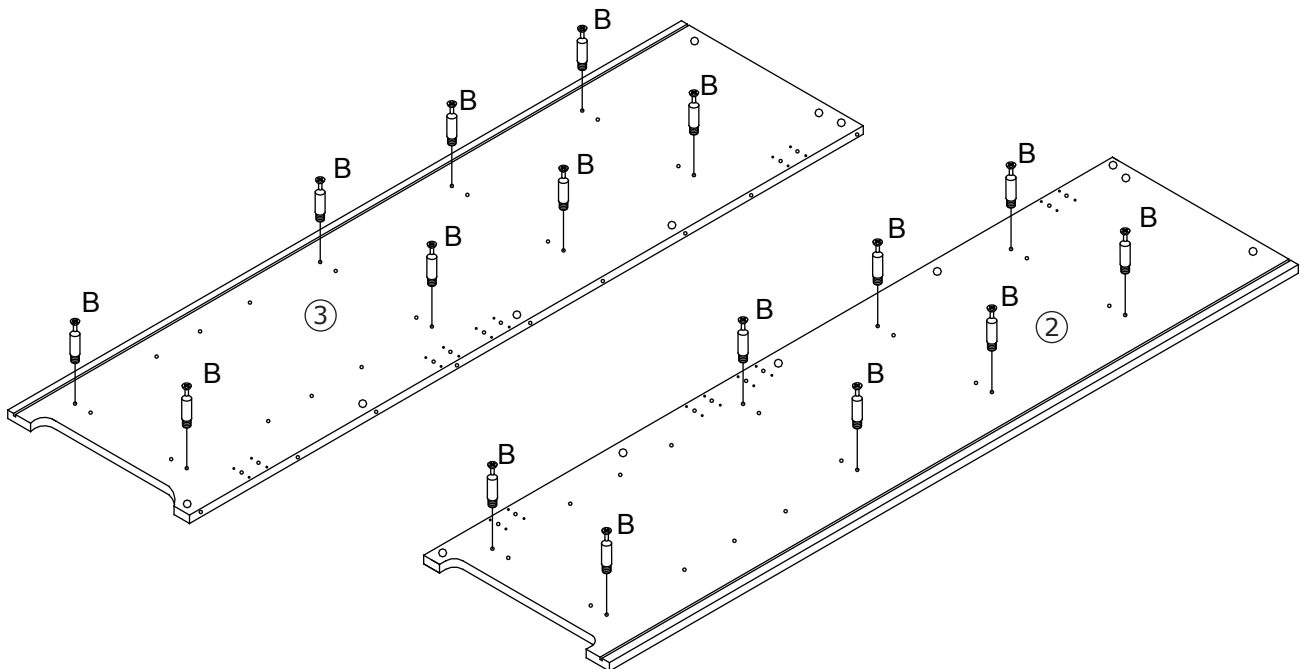
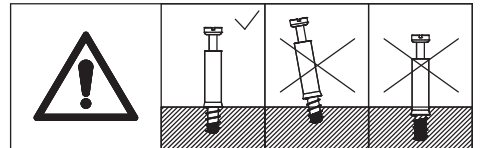
Insert quickfit screws(B) into corresponding holes in part 8/9, as shown.



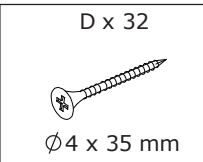
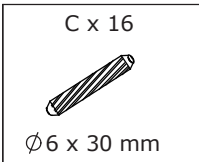
2



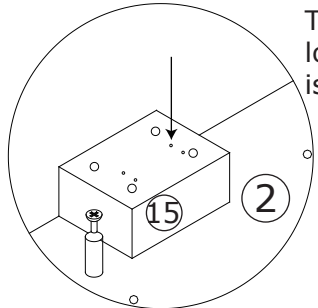
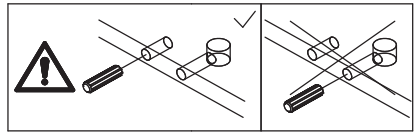
Insert quickfit screws(B) into corresponding holes in part 2/3, as shown.



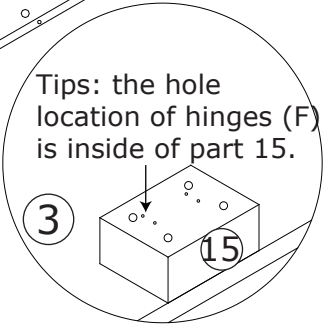
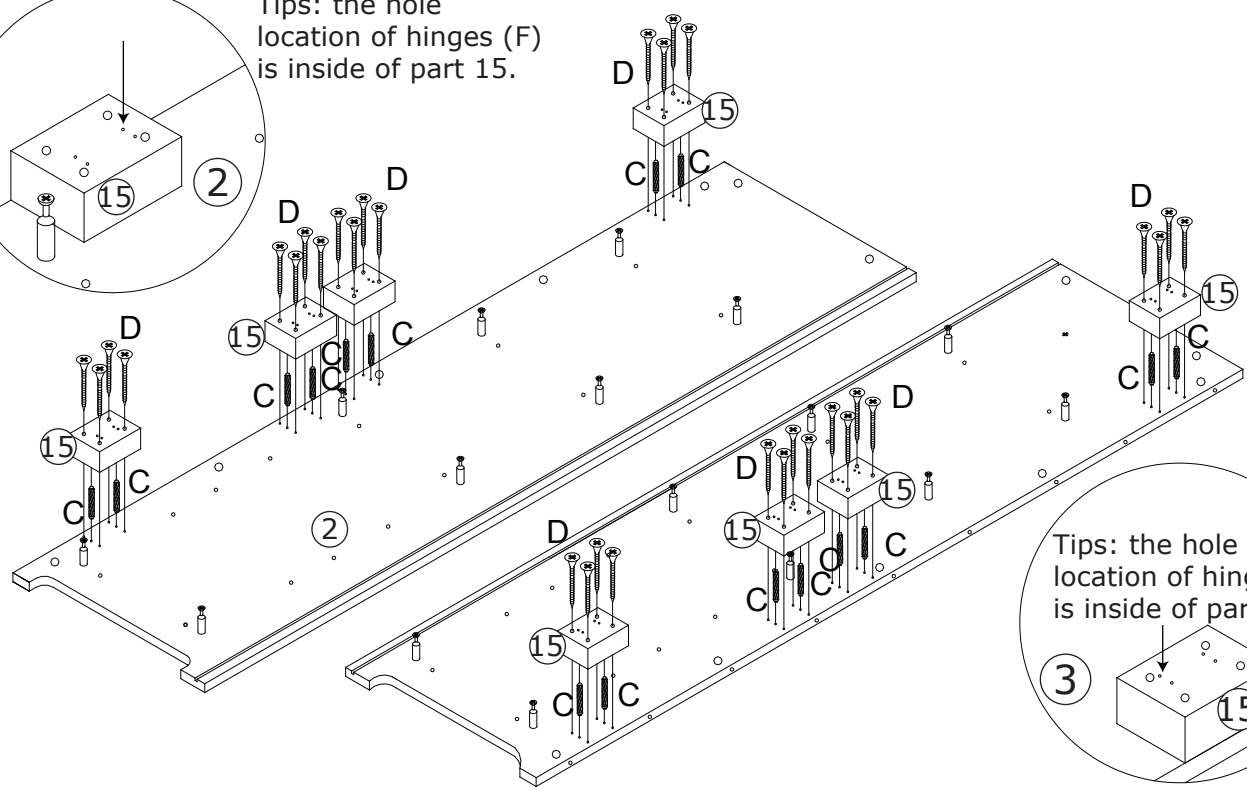
3



Put wooden dowels (C) into panel 2/3, and fix part 15 to panel 2/3 with screws (D), as shown.

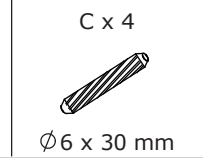
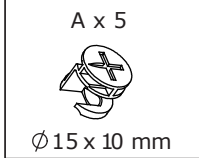


Tips: the hole location of hinges (F) is inside of part 15.

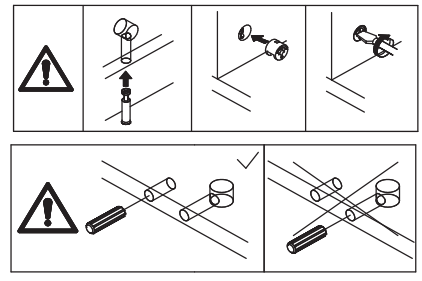
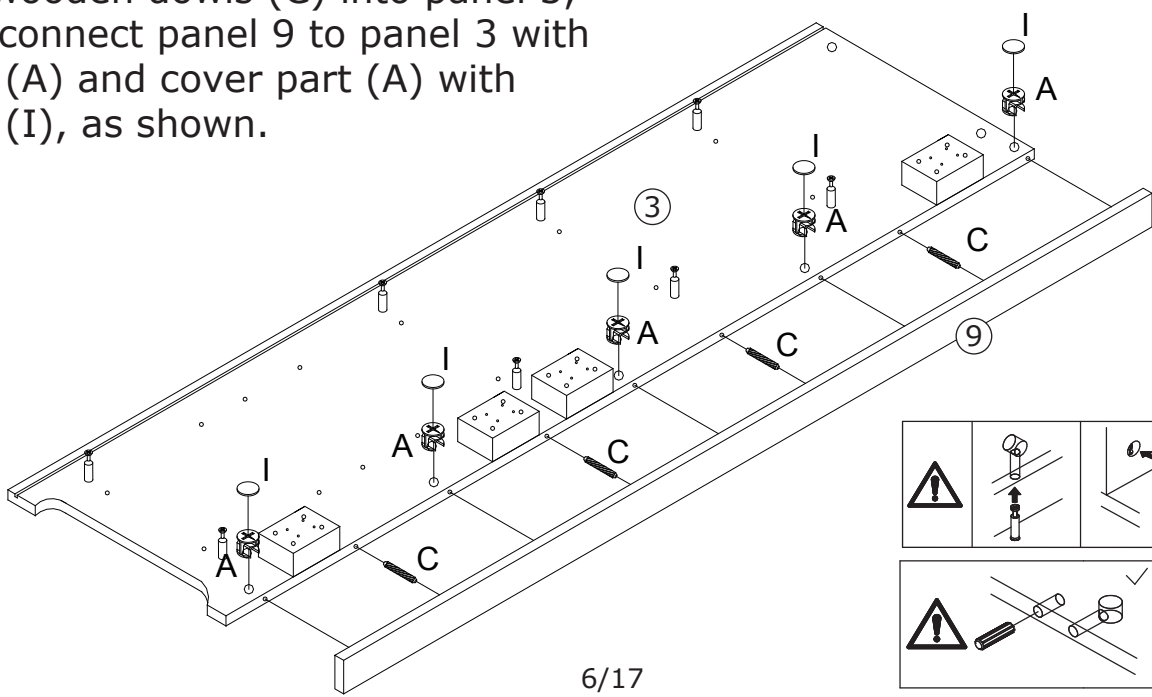


Tips: the hole location of hinges (F) is inside of part 15.

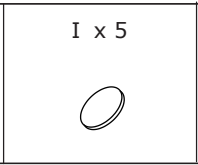
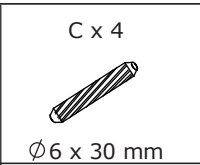
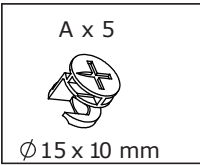
4



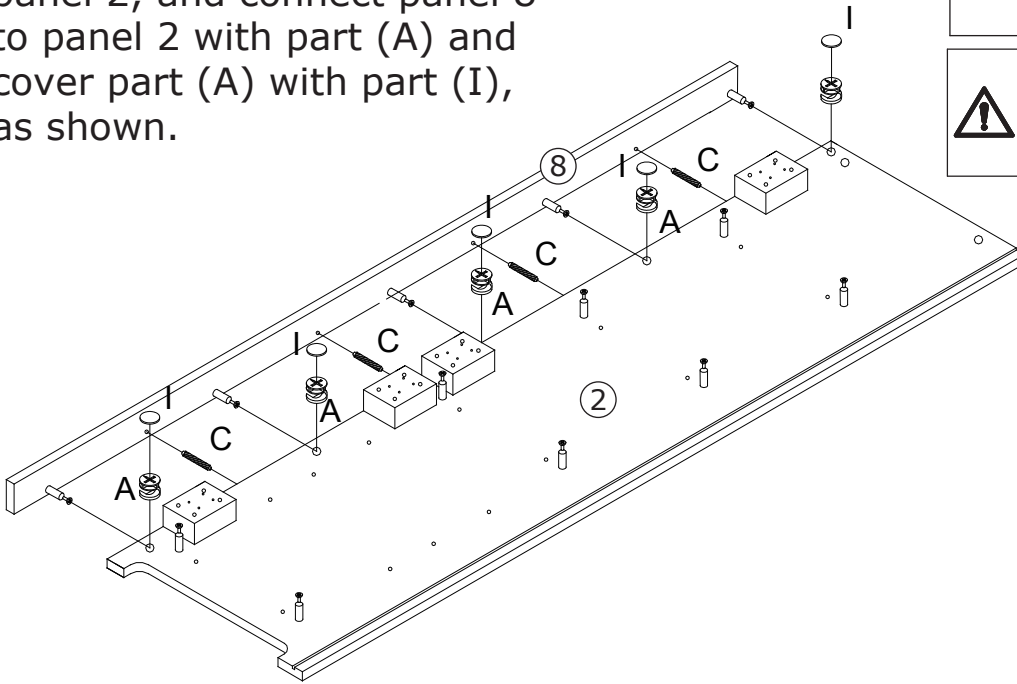
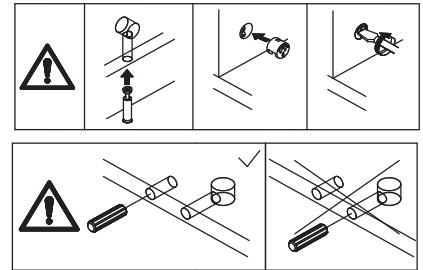
Put wooden dowels (C) into panel 3, and connect panel 9 to panel 3 with part (A) and cover part (A) with part (I), as shown.



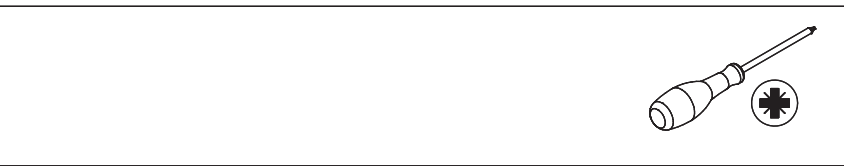
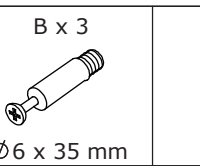
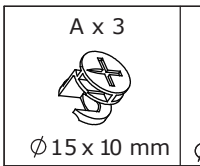
5



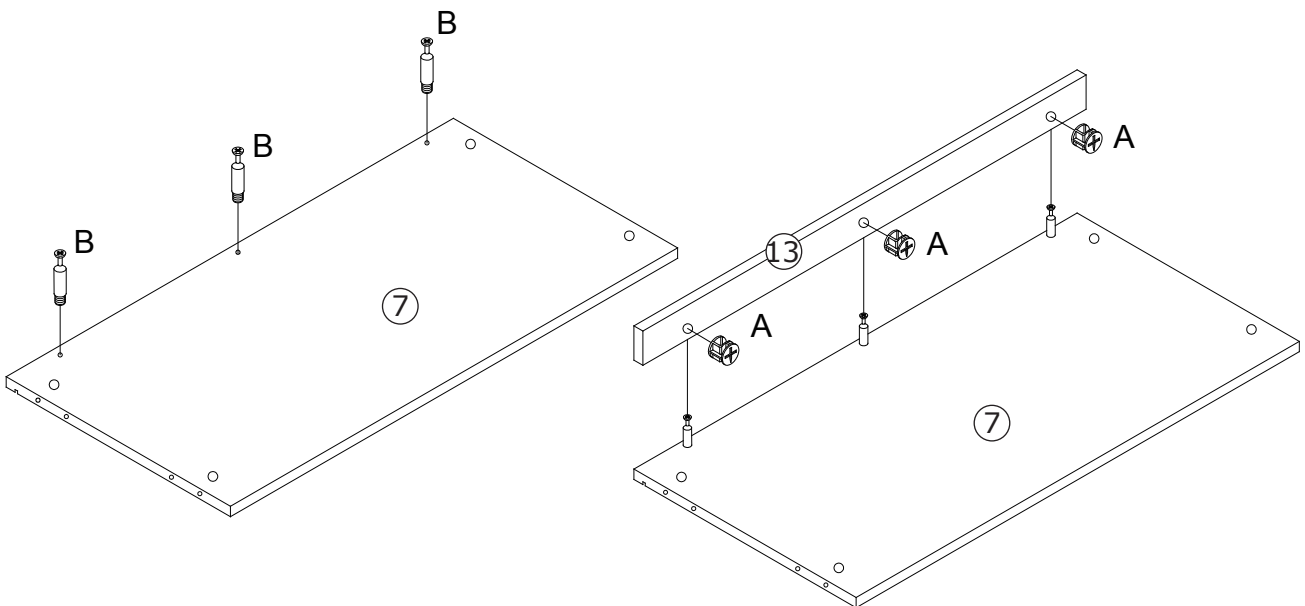
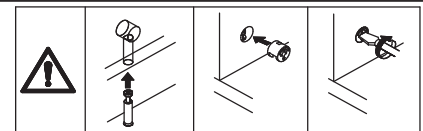
Put wooden dowels (C) into panel 2, and connect panel 8 to panel 2 with part (A) and cover part (A) with part (I), as shown.



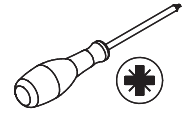
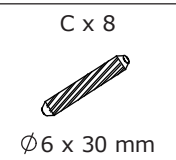
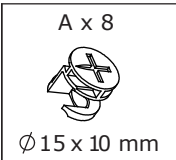
6



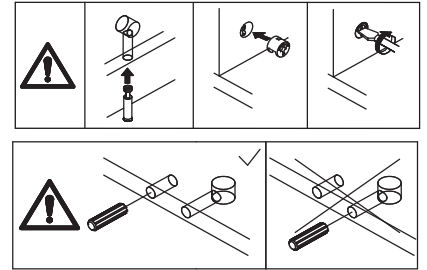
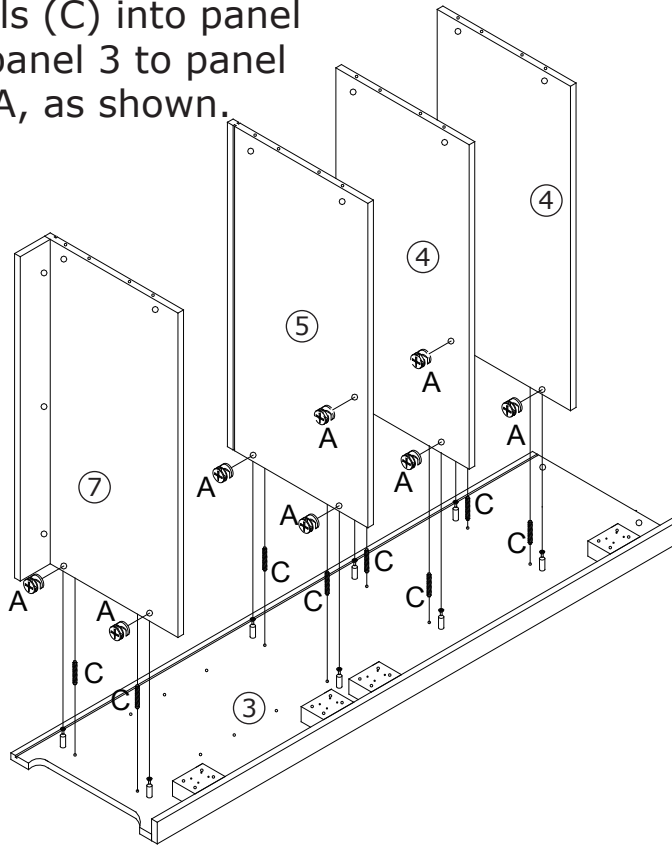
Insert quickfit screws (B) into corresponding holes in part 7, and fix panel 13 to panel 7 with part (A), as shown.



7

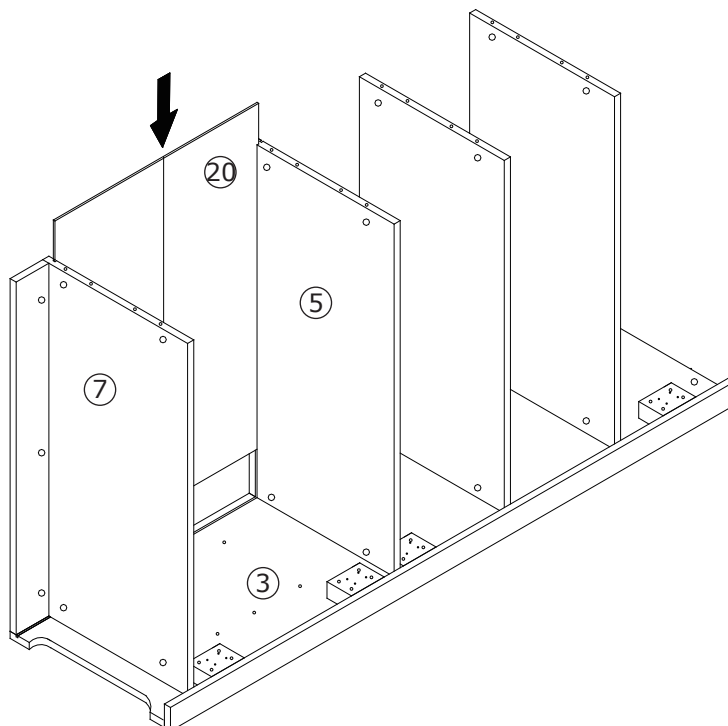


Put wooden dowls (C) into panel 3, and connect panel 3 to panel 7/5/4 with part A, as shown.




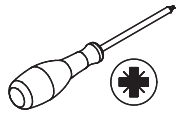


8

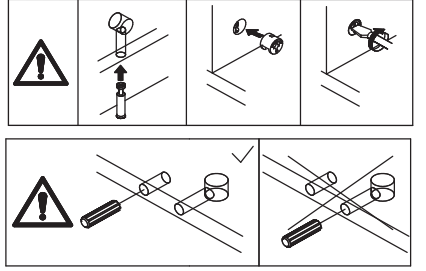
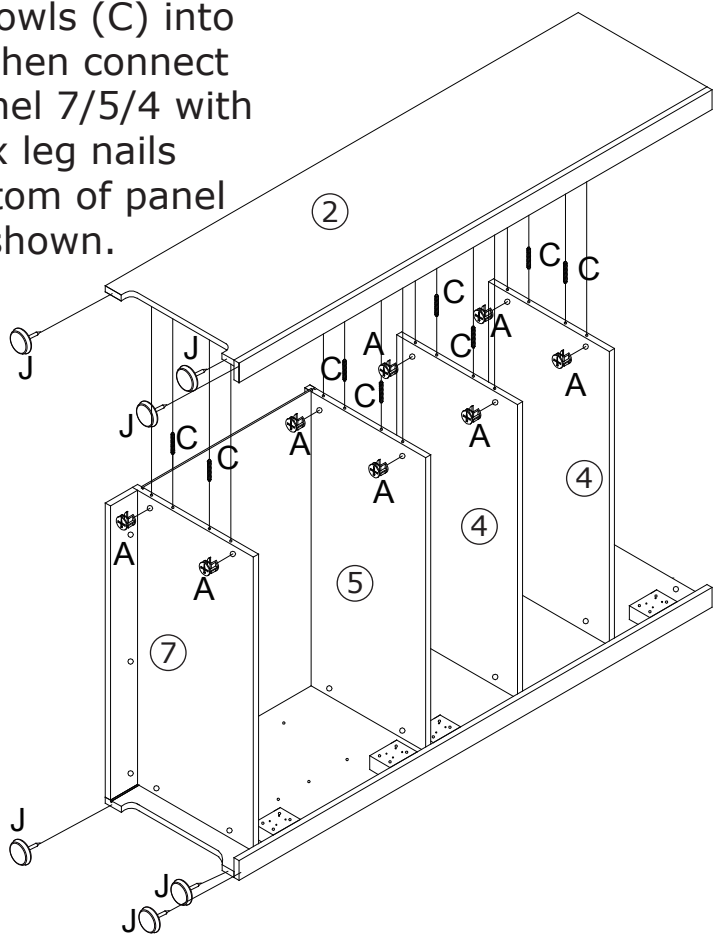
Slide the back panel part 20 to available alots of part 3/5/7, as shown.



9

<p>A x 8</p>  <p>Ø 15 x 10 mm</p>	<p>C x 8</p>  <p>Ø 6 x 30 mm</p>	<p>J x 6</p> 	
--	---	--	---

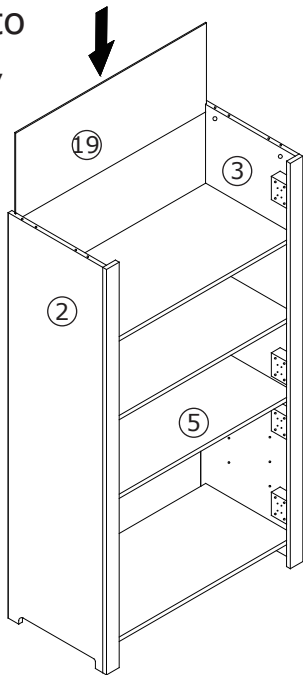
Put wooden dowls (C) into panel 7/5/4, then connect panel 2 to panel 7/5/4 with part A, and fix leg nails (J) to the bottom of panel 2/3/8/9/, as shown.



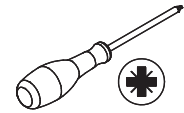
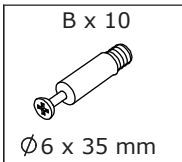
10



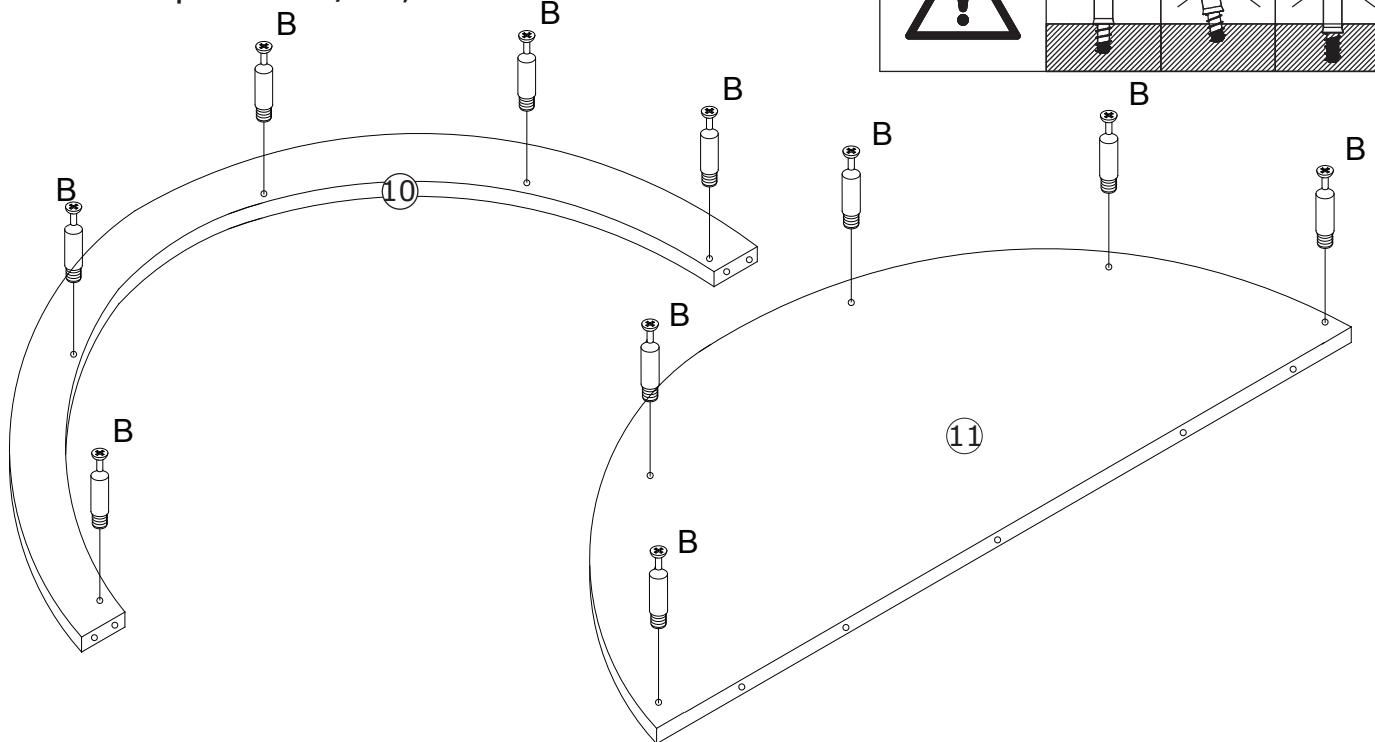
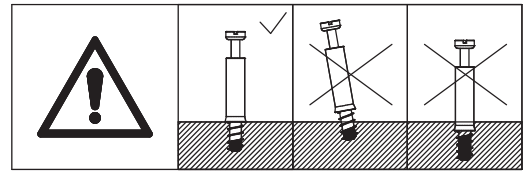
Slide the back panel part 19 to available slots of panel 2/3/5, as shown.



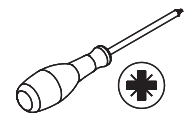
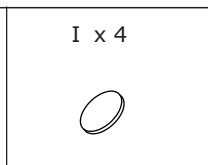
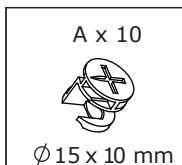
11



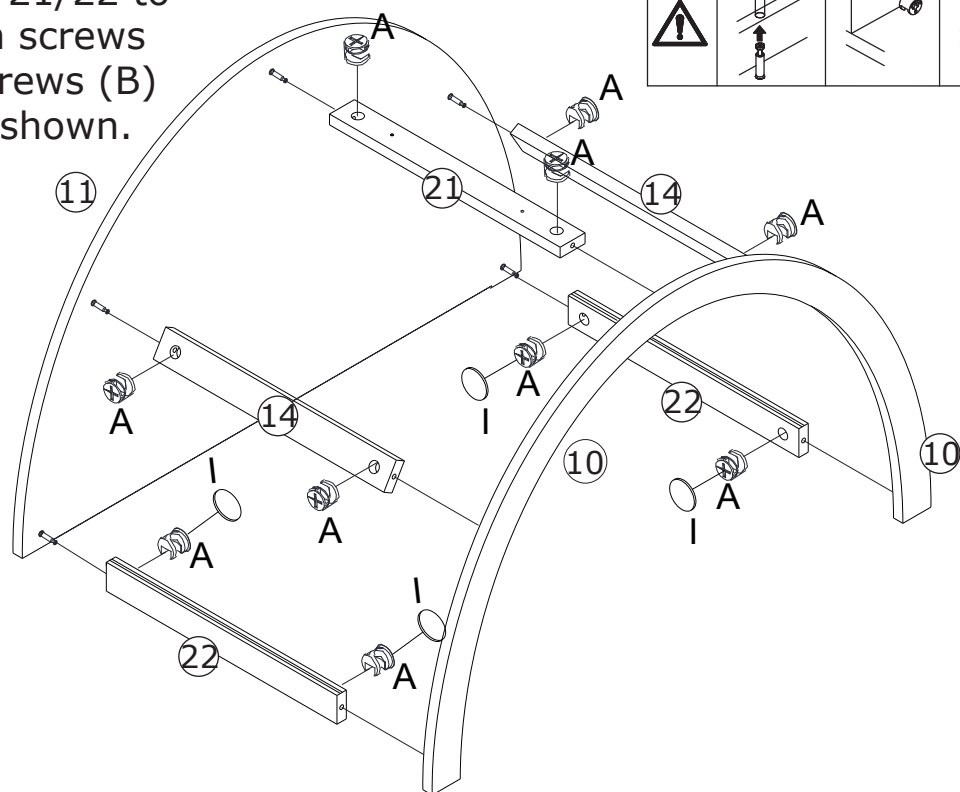
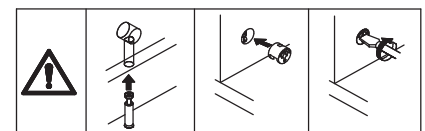
Insert quickfit screws (B) into corresponding holes in panel 10/11, as shown.



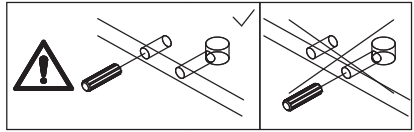
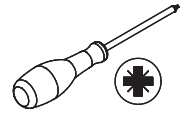
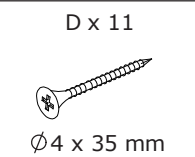
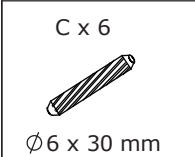
12



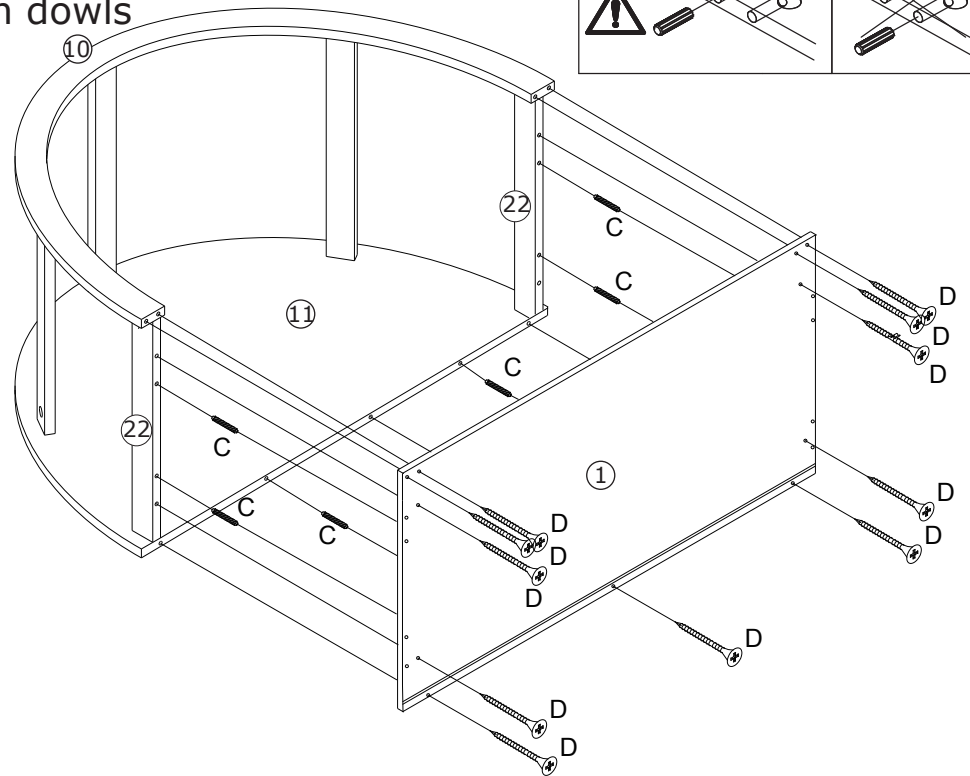
Connect panel 14/21/22 to panel 10/11 with screws (A), and cover screws (I) with part (I), as shown.



13



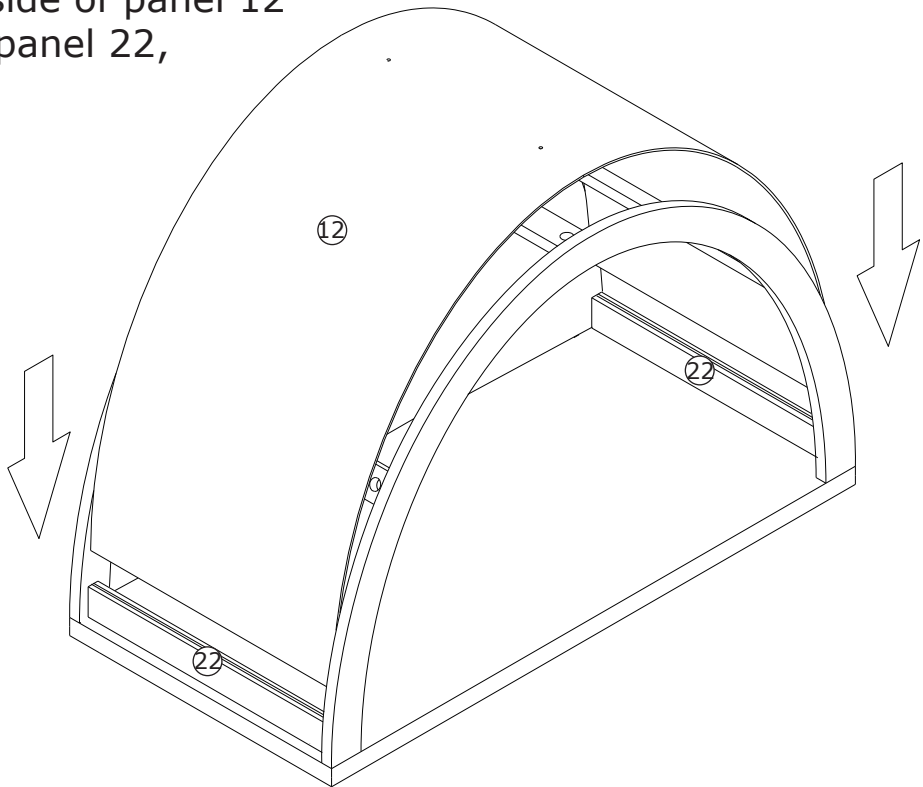
Connect panel 1 to panel 22/11/10 with wooden dowels (C) and fix them with screws (D), as shown.




14



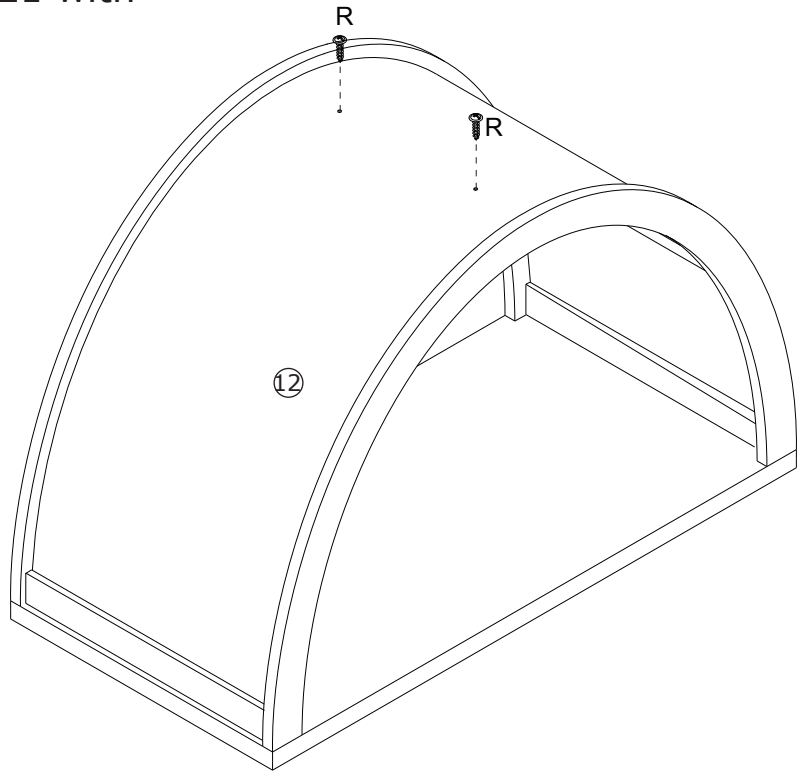
Insert the two side of panel 12 into the slot of panel 22, as shown.




15

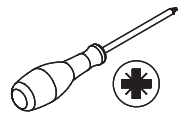
R x 2

Ø3 x 12 mm

Fix panel 12 to panel 21 with screws (R), as shown.

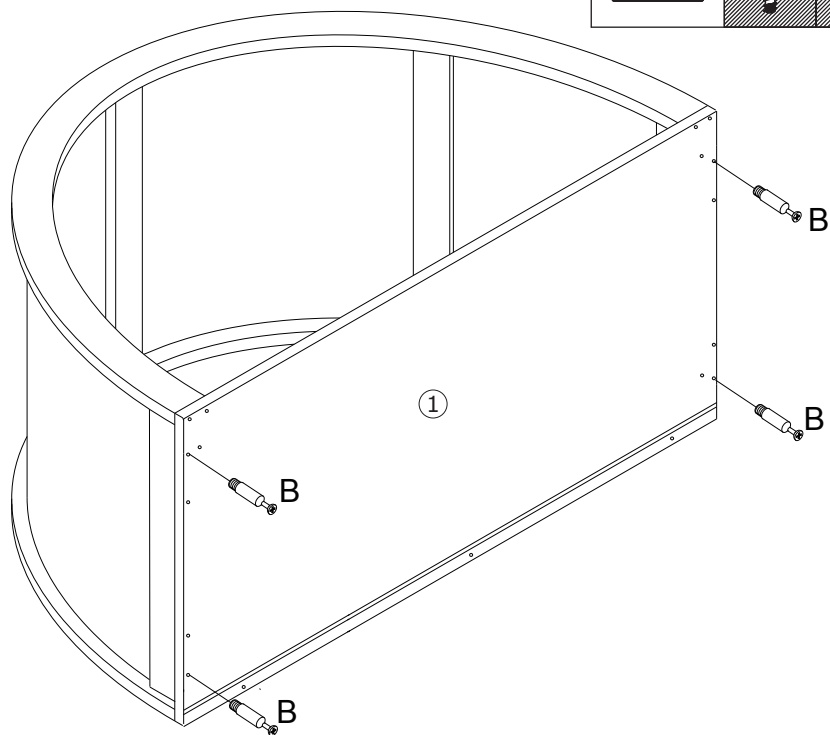
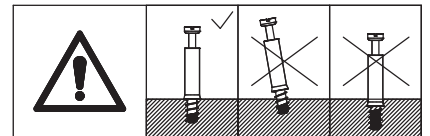


16




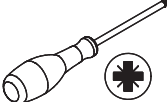
B x 4

Ø6 x 35 mm



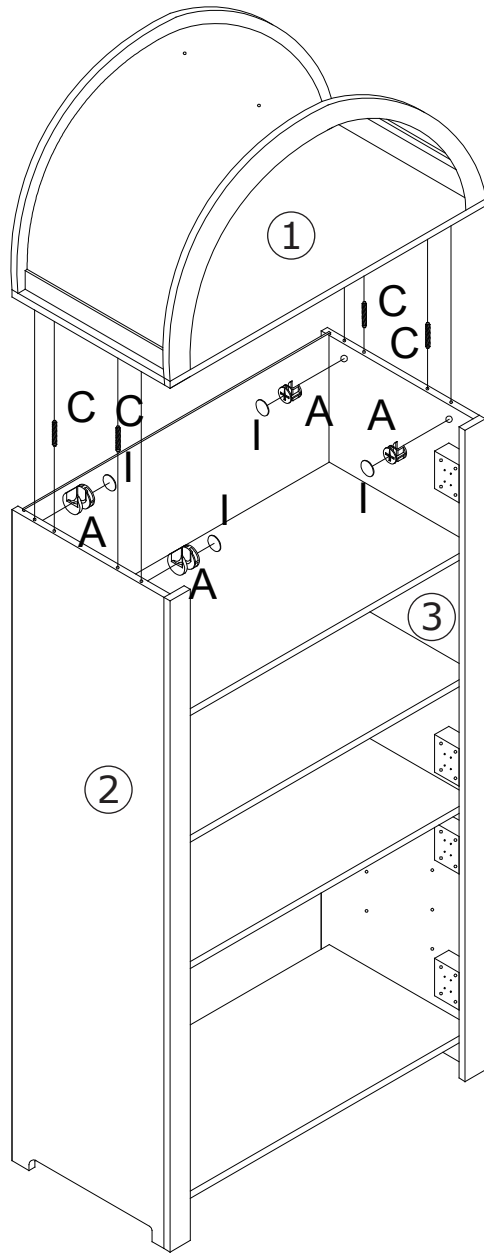
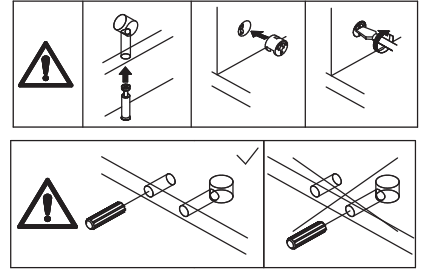
Fix screws (B) to panel 1, as shown.



17

A x 4  Ø15 x 10 mm	C x 4  Ø6 x 30 mm	I x 4 	
---	--	--	---

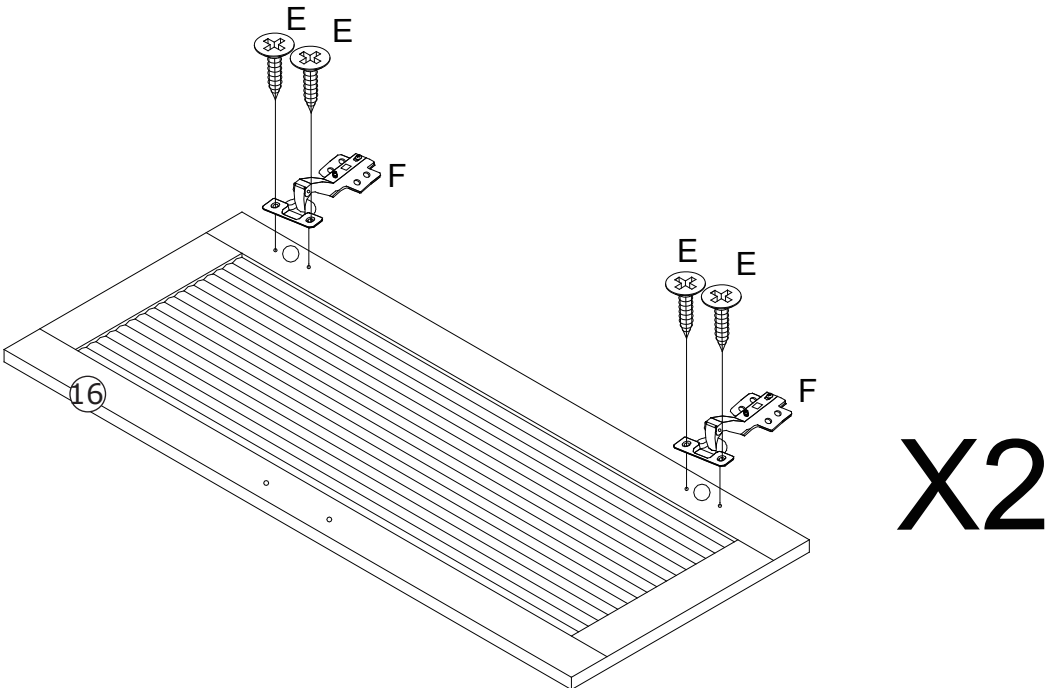
Put wooden dowls (C) into panel 2 and 3, then connect panel 1 to panel 2/3 with part A, and cover part A with part I, as shown.



18

E x 8  Ø 3.5 x 14 mm	F x 4 	
---	--	---

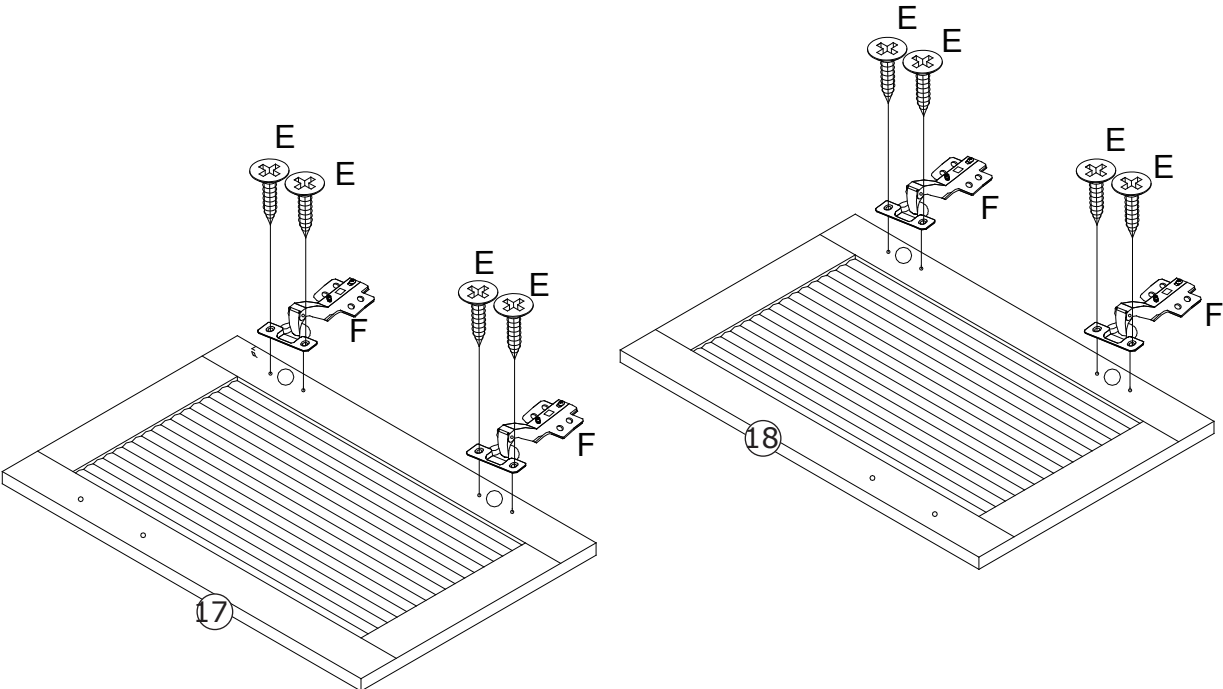
Fix hinges (F) to part 16 with screws (E), as shown.



19

E x 8  Ø 3.5 x 14 mm	F x 4 	
---	--	---

Fix hinges (F) to part 17 and 18 with screws (E), as shown.

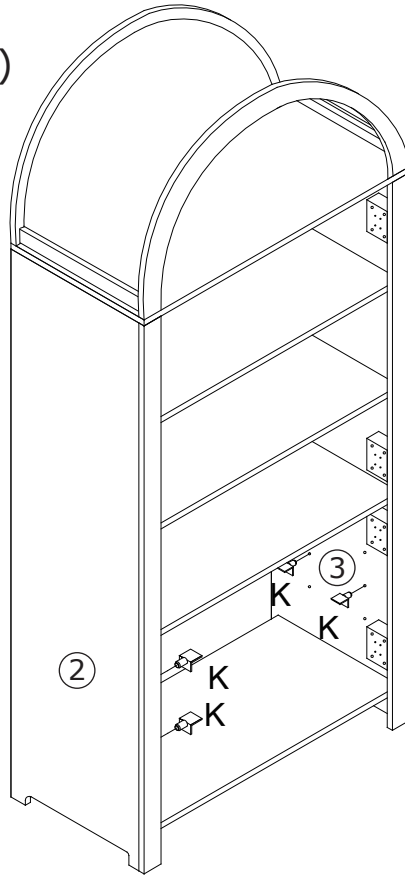


20

K x 4

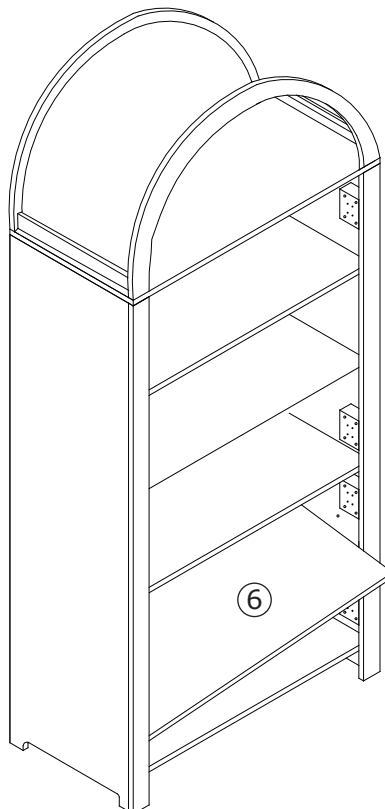


Insert the plastic deck tows (K) into panel 2 and 3, as shown.



21

Put panel 6 sideling into closet, as shown.

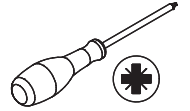


22

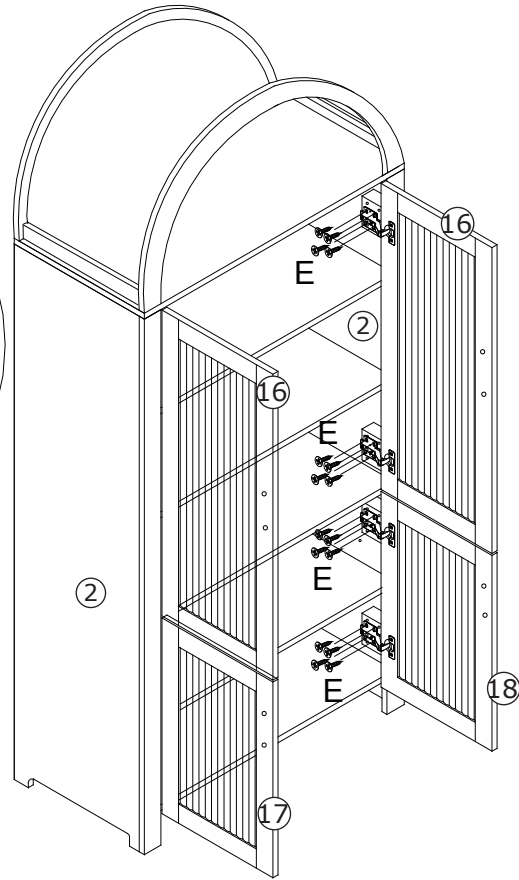
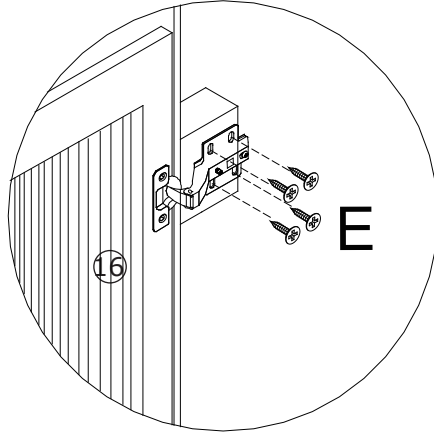
E x 32



Ø3.5 x 14 mm



Fix part 16/17/18 to part 2 with screws (E), as shown.



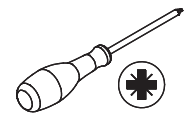
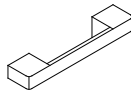
23

P x 8

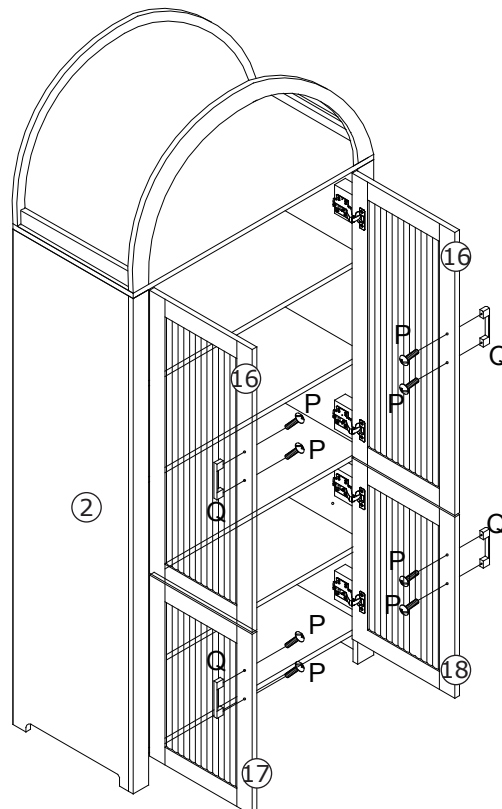


Ø4 x 18 mm






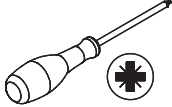
Q x 4



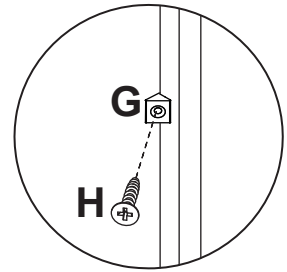
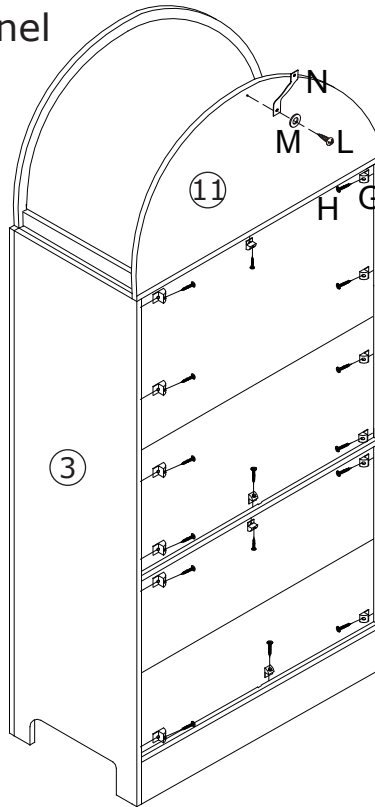
Fix handles (Q) to part 16/17/18 with screws (P), as shown.






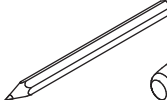
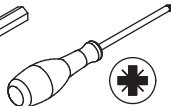
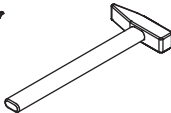

24

G x 16 	H x 16 Ø3 x 14 mm 	L x 1 Ø4 x 14 mm 	M x 1 	N x 1 	
---	---	--	--	--	---

Fix back corners (G) to back panel with screws (H), and fix part M and anti-falling tape (N) with screws (L), as shown.

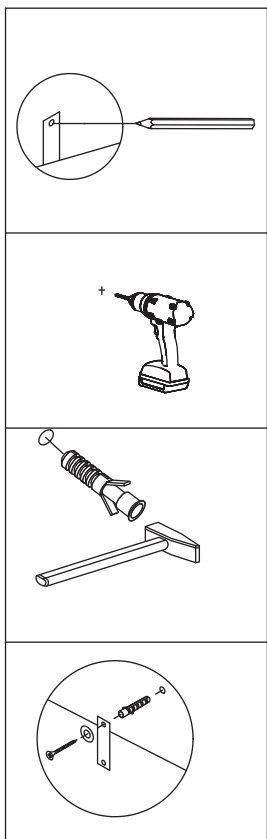
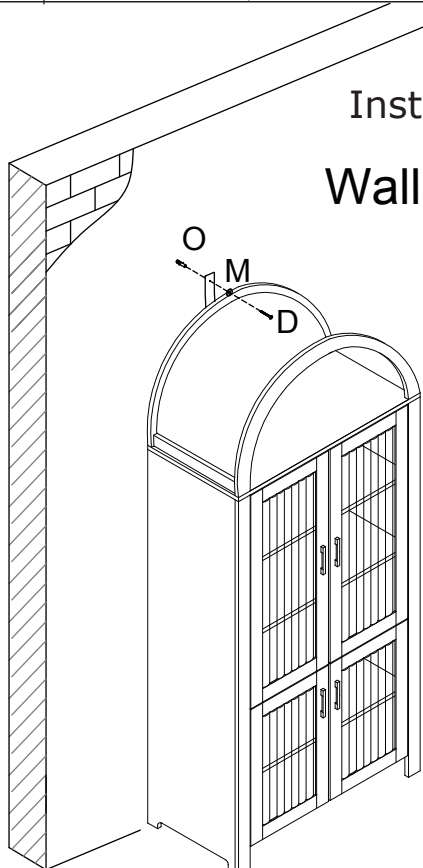


25

D x 1 Ø4 x 35 mm 	M x 1 	O x 1 				
--	--	--	--	--	---	---

Install the anti-falling device as shown.

Wall



RETURNS

CHANGED YOUR MIND AND NEED TO RETURN YOU ITEM?

PLEASE FOLLOW THE BELOW INSTRUCTIONS:

- If you have purchased and have simply changed your mind, follow the retailer's instructions for returns.

DEFECTIVE ITEMS

- If your item is defective in any way, i.e. it doesn't work but you can't identify why, in the first instance, please contact us.

DAMAGED ITEMS

- If you receive an order with obvious shipping damage from the retailer, then we suggest the delivery is refused. If the delivery has been accepted and then shipping damage is found, please follow the specific instructions advised by the retailer.
In all circumstances please save all packaging material and paperwork for the order. Please be aware that if you dispose of packaging material or attempt to return the merchandise without contacting the fulfiller, you jeopardise your chances of making a claim, and you may not receive a credit for the return.