

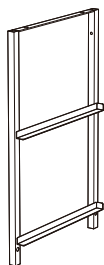
Drawer Dresser

Instruction Manual



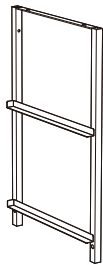
1 Component List

A X1



Side Frame

B X1



Side Frame

C X2



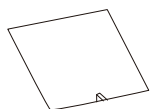
Cross Tube

D X2



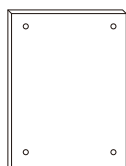
Drawer

E X2



Base Board
for Drawer

F X1



Top Board

2 Supplied Parts and Hardware

1 X4



Bolts
M6×25mm

2 X4



Bolts
M6×10mm

3 X2



Drawer Handle

4 X4



Bolts
M4×12mm

5 X4



Adjusting Foot
M6×14mm

6 X1



Wrench

7 X1



Wrench

8 X2



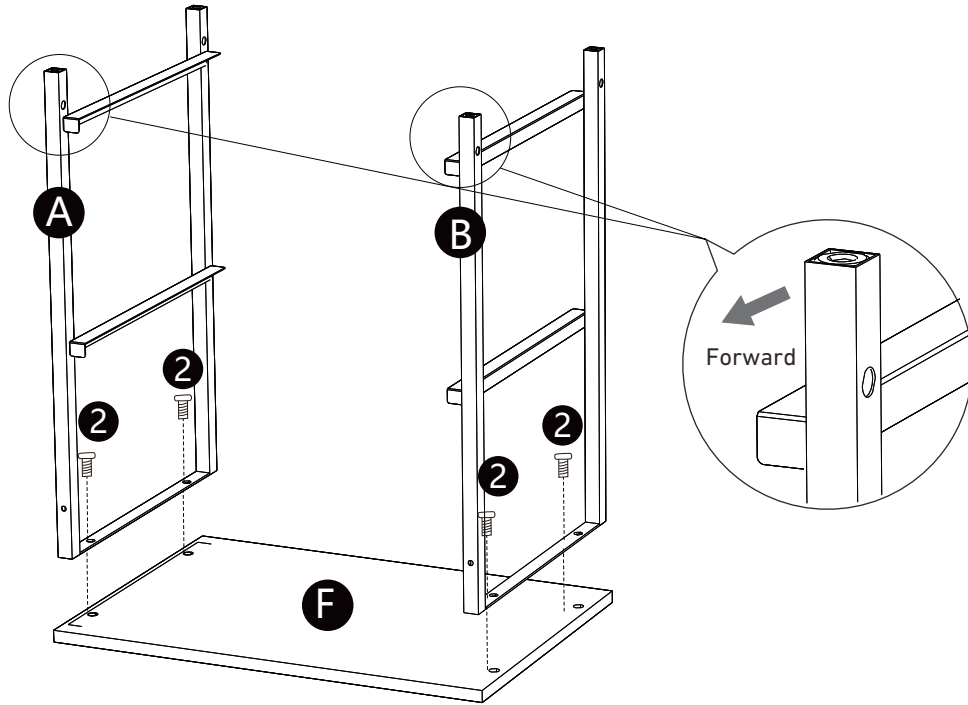
Expansion Tube

9 X2



Bolts

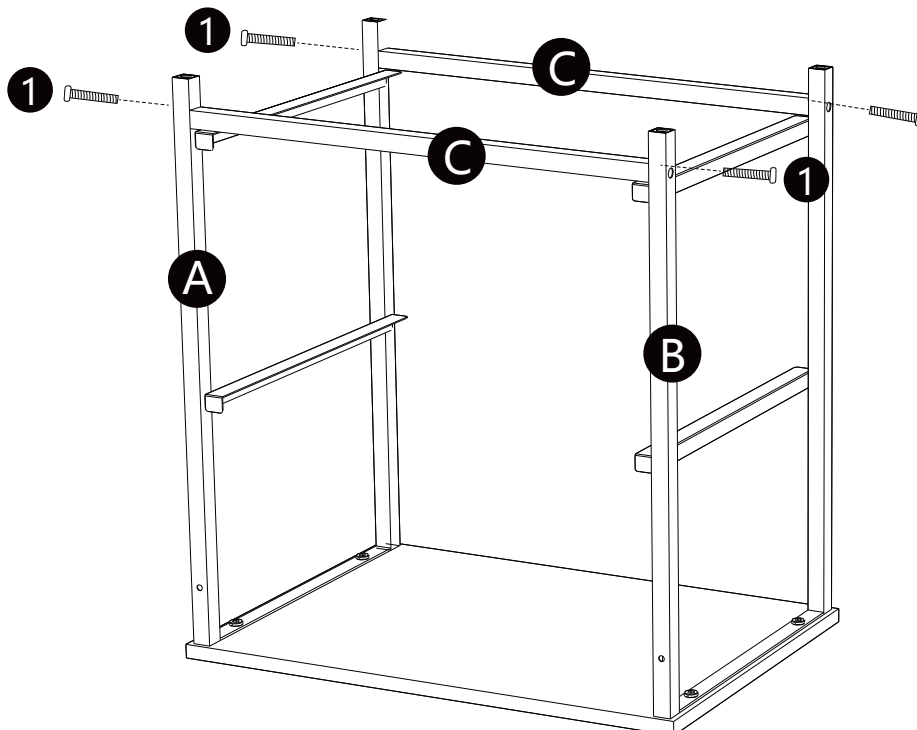
Step 1



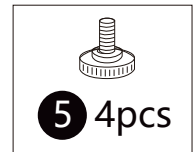
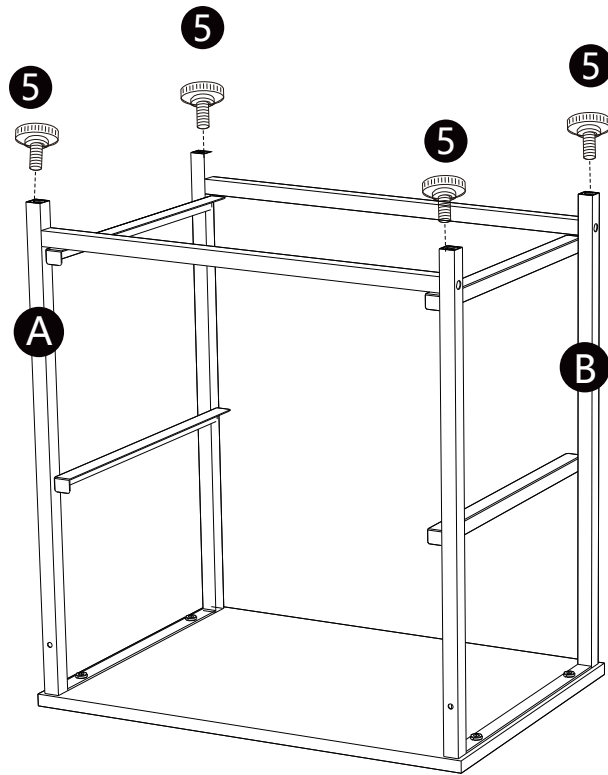
NOTE:

1. Place a blanket under the top plate to avoid scratches or damage.
2. The side frame (A&B) baffle faces in the same direction, with the baffle facing forward.

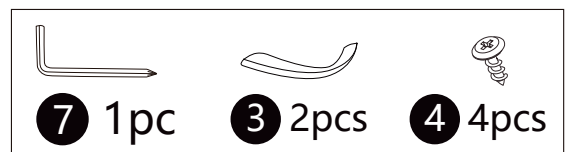
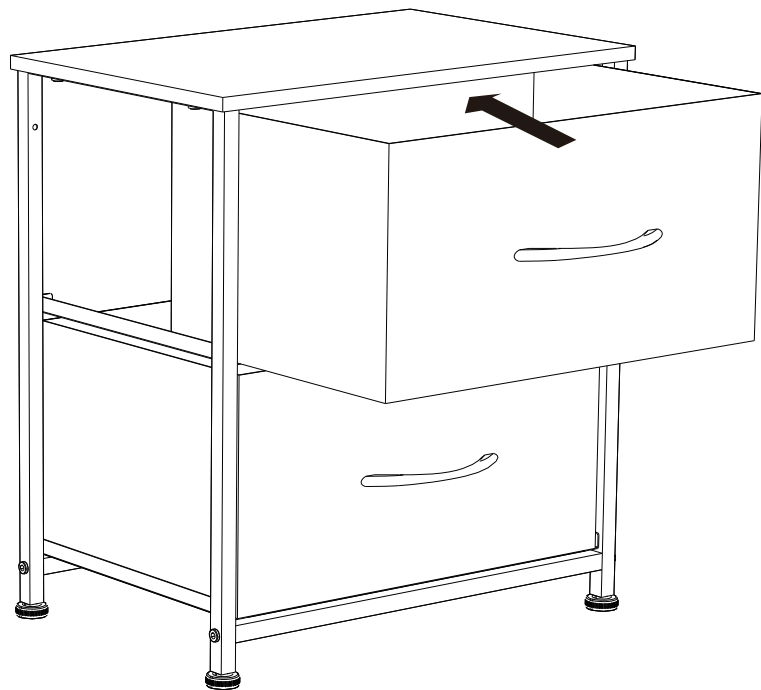
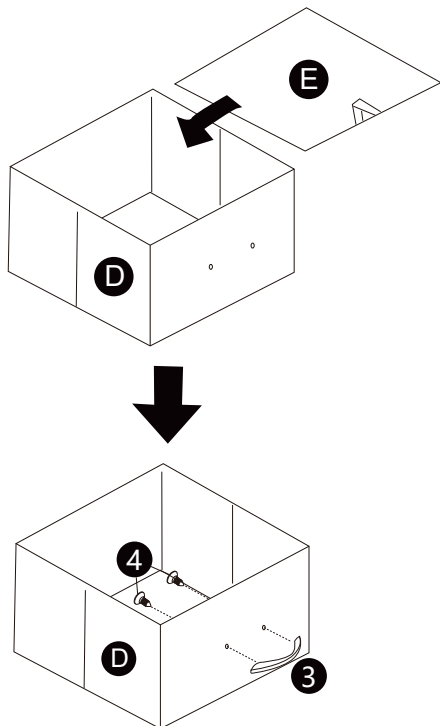
Step 2



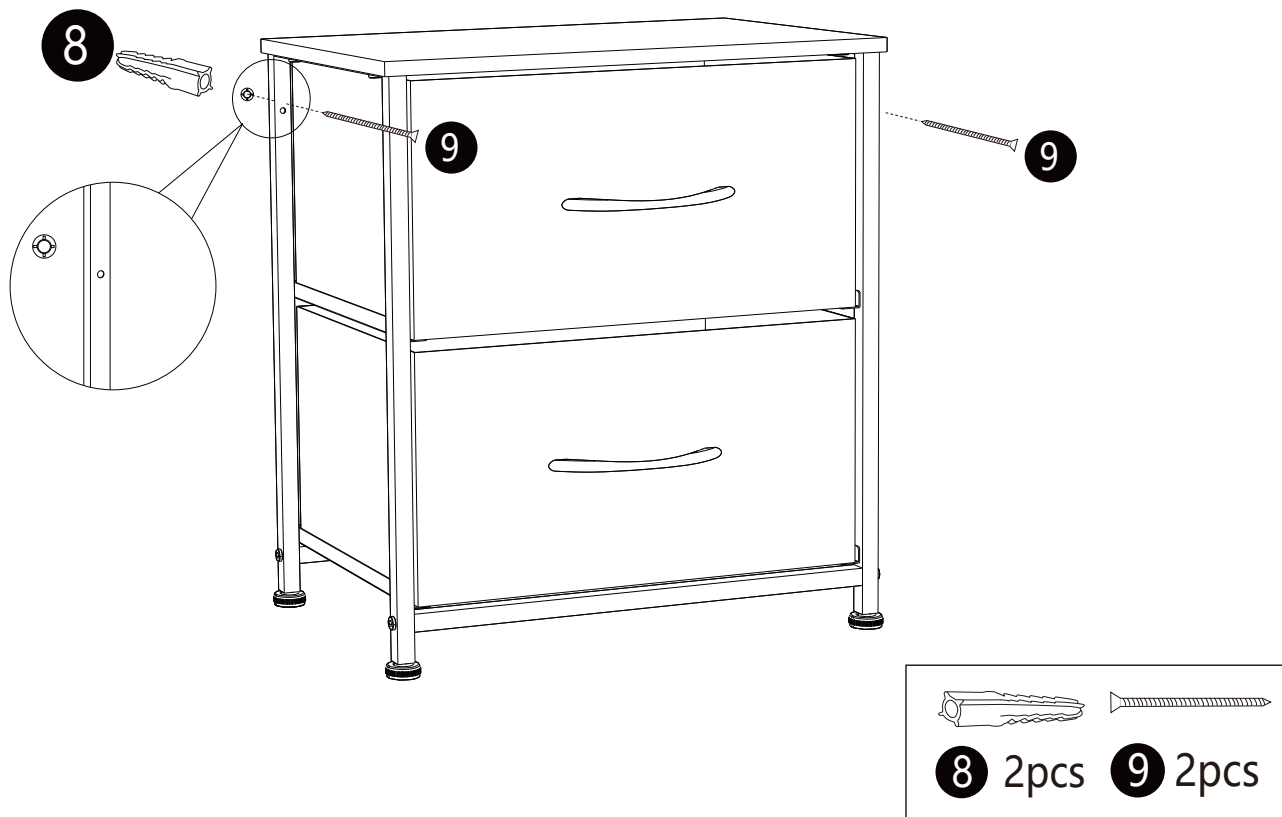
Step 3



Step 4



Step 5



Step 6



