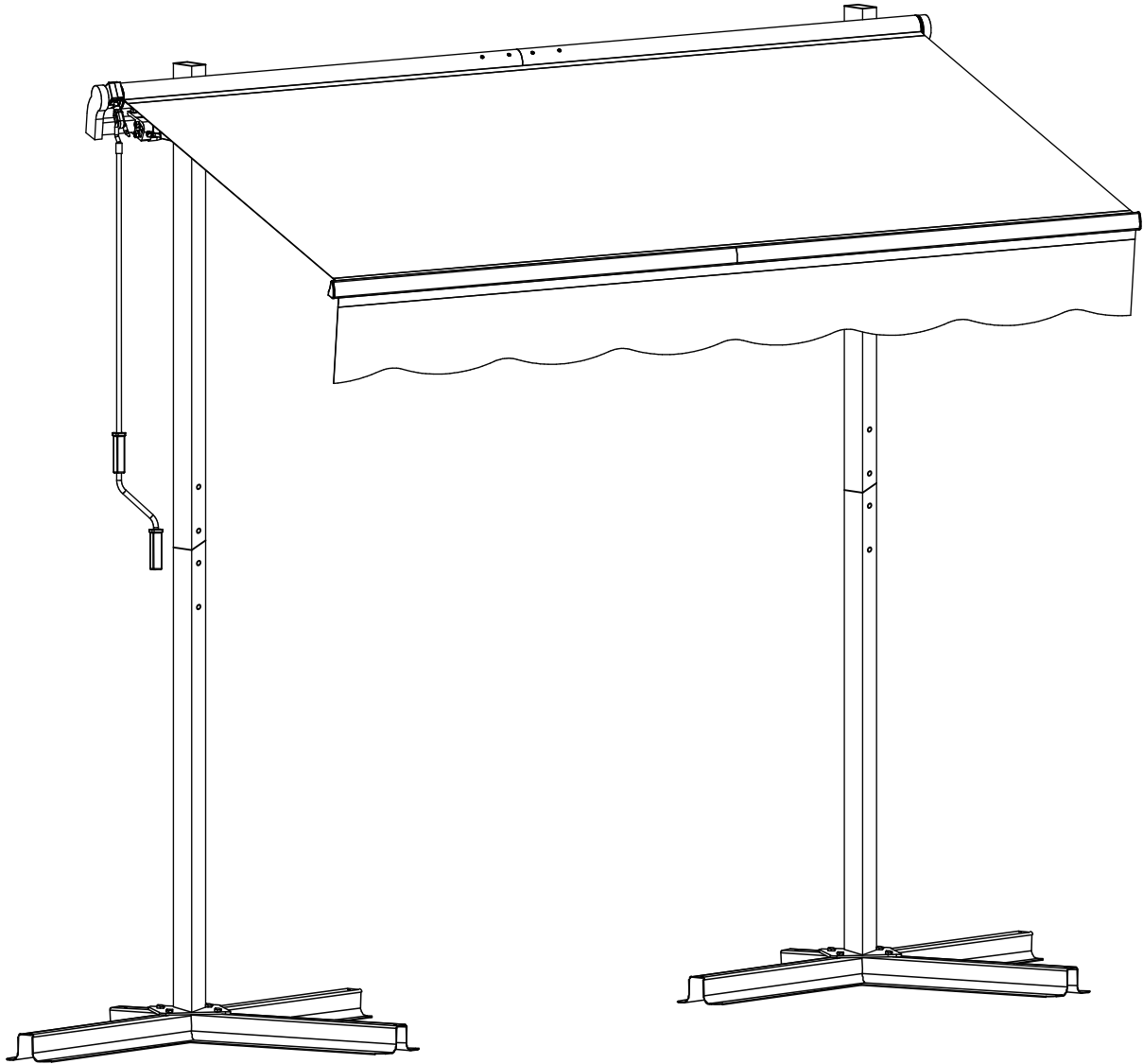


Patio Sun

Shade Awning



NOTE 1: This sofa is shipped in 2 box . All accessories included. If you have any questions after receiving the recliner.Please contact us in time and provide pictures. We will try our best to help you solve it.

—V1.0.1

WARRANTY

So glad you have completed the assembly and can enjoy it. If you are satisfied with our products, thank you for showing your favored recliner to your around.

The quality of our furnitures has been strictly controlled. Each stage of the product upgrading has condensed the efforts of employees in various departments. We strive to minimize the probability of failure of new products and insist on providing customers with worthless after-sales service.

AFTER-SALE POLICY

For return reason:

Wrong purchase, bought by mistake, no longer needed, doesn't meet expectation, a size smaller than expectation, customer need to cover the return shipping fee.

For cancel order:

Customer needs to pay for shipping fee and carrier handle fee if the item has been shipped out.

For change address:

Customer needs to pay for extra shipping fee and carrier handle fee if the item has been shipped out.

Customer Service: Any problem with the product or shipping issue, please feel free to contact us, we will try our best to serve and help.

ATTENTION

Enjoyable time on recliner is coming after 15 minutes of installation!

- 1. Please check the manual carefully and make sure you have received all the parts.**
- 2. If there is any missing parts, please let us know the letter of the parts you need.**
- 3. If there is any damage parts, please send clear photos to us, we will check and offer you best solution soon.**

A. Torsion bar with Arm(Left)

L. Valance

W. M8

B. Torsion bar with Arm(Right)

M. Fabric Liner

X. M8X20

C. Front bar(Right)

N. Front bar caps(Left and Right)

Y. Wall Brackets

D. Front bar(Left)

O. Armbar Link

Z. M8X65

E. Roller(Left)

P. Plastic Bolt for cover and Fabric Liner

1. Up stand pole

F. Roller(Right)

Q. St3x10

2. Down stand pole

G. Roller connector

R. St4x15

3. Stand pole connector

H. Front bar connector

S. M6X40

4. Short cross bar

I. Torsion bar connector

T. M6

5. Long cross bar

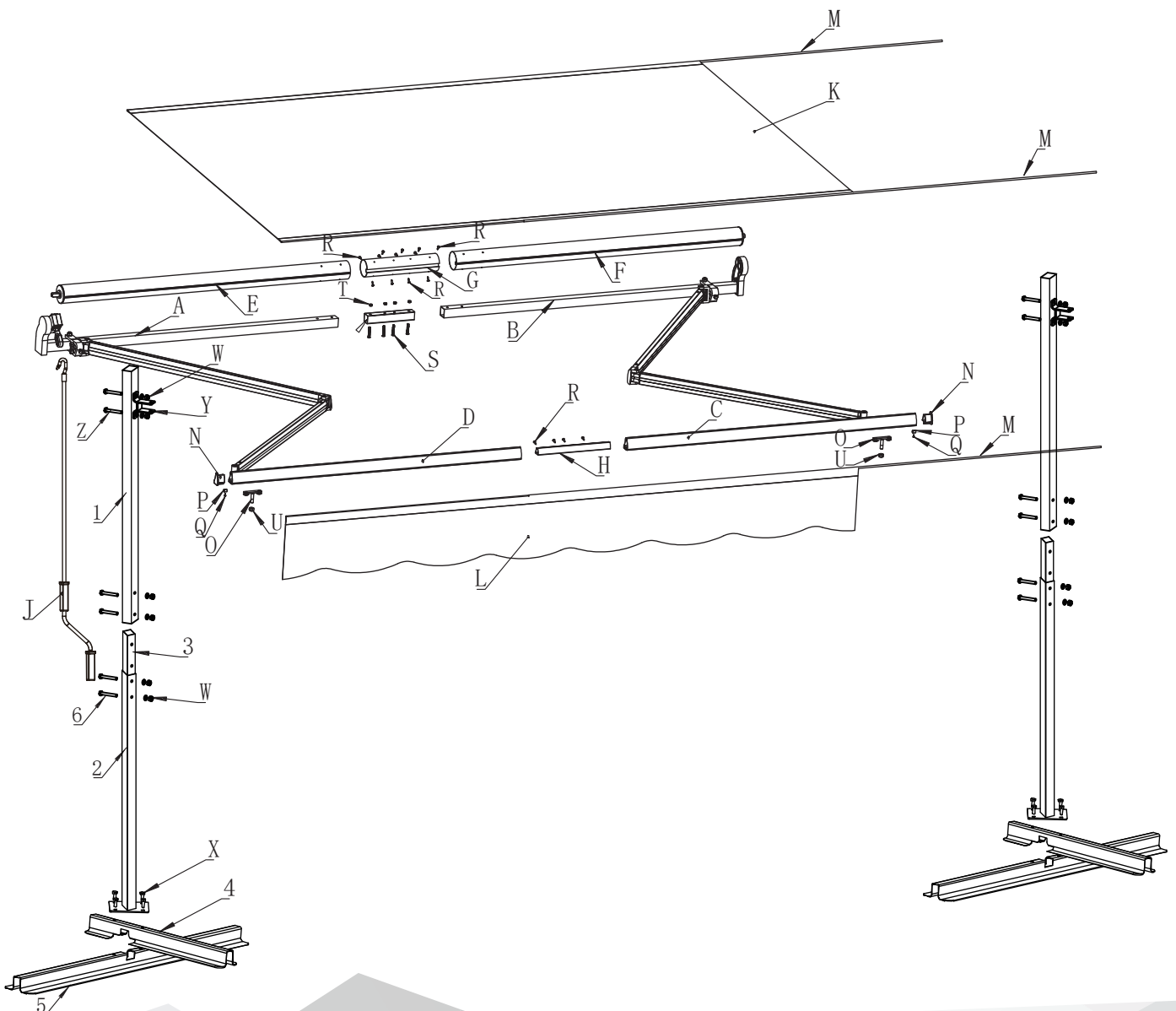
J. Hand Crank

U. M10

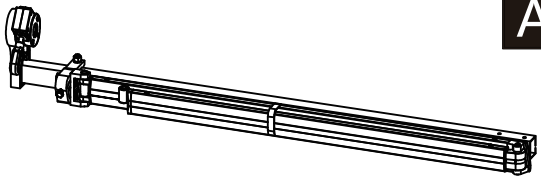
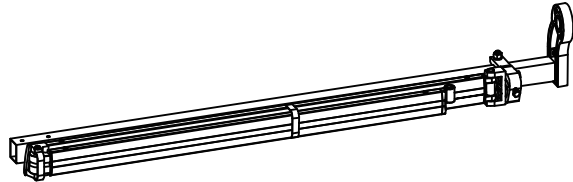




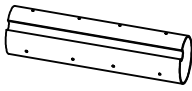

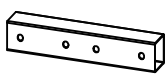

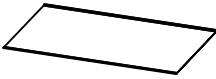

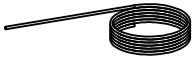








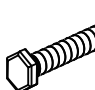


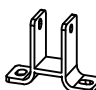
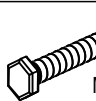
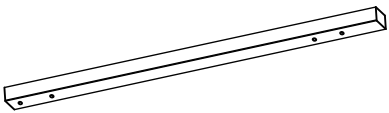
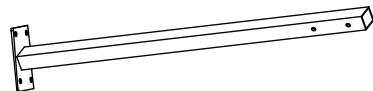
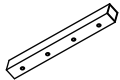
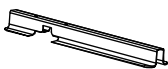
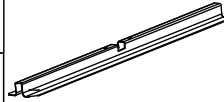
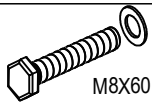
6. M8X60

K. Fabric

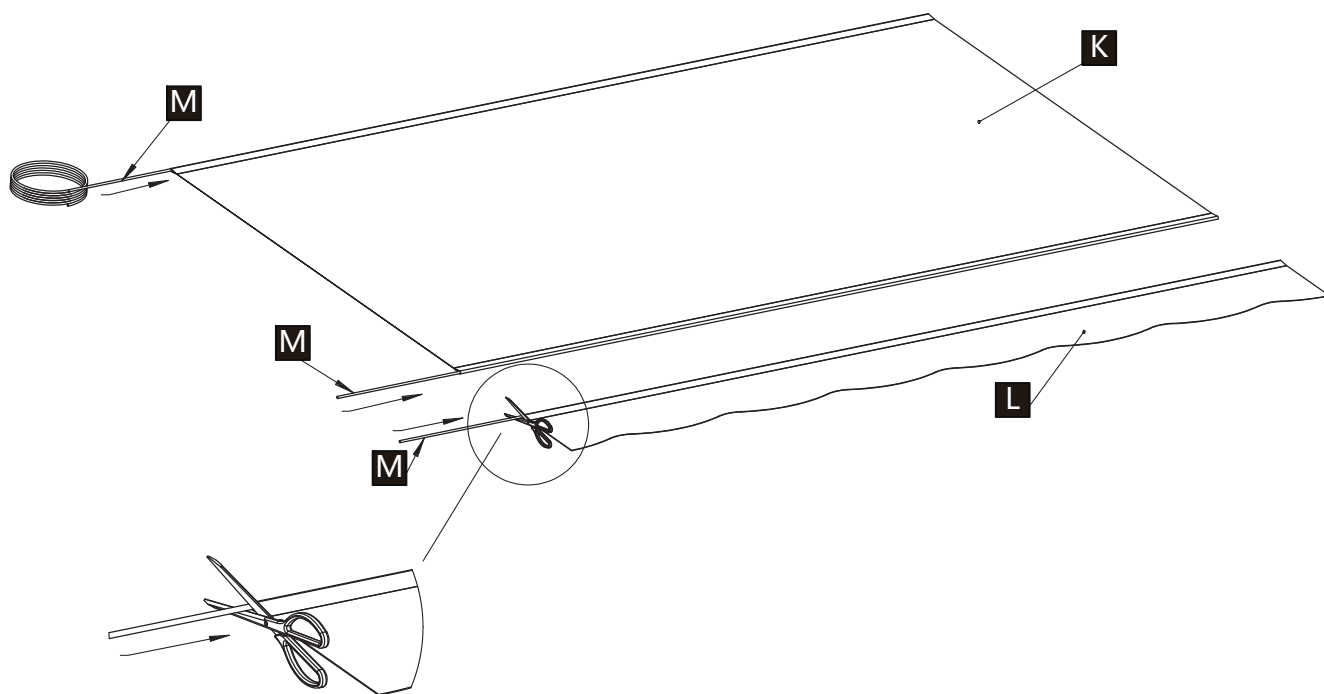
V. M8X55



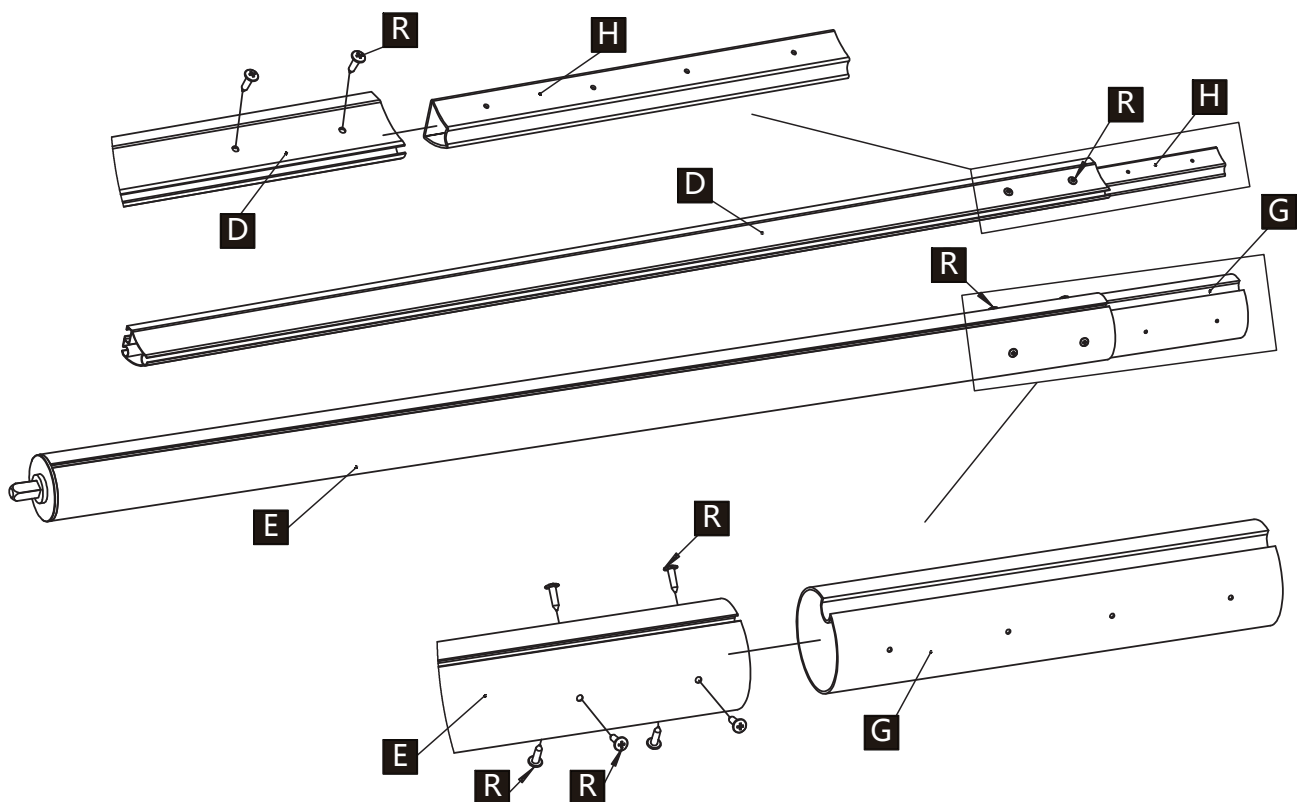
Please check if the accessories parts are completely received according to the letter labels and quantity below

		A x01				B x01	
		C x01				D x01	
		E x01				F x01	
	G x01		H x01		I x01		J x01
	K x01		L x01		M x03		N x02
	O x02		P x02		St3 X10 Q x02		St4X15 R x16
	M6X40 S x04		M6 T x04		M10 U x02		M8X55 V x02
	M8 W x22		M8X20 X x08		Y x02		M8X65 Z x04
		1 x02				2 x02	
	3 x02		4 x02		5 x02		M8X60 6 x08

Step 1. Thread the fabric Line , and cut the Fabric Line as long as the Fabric



Step 2. Connecting Roller Tube and Front bar (LEFT)



D 1Pc



H 1Pc



E 1Pc



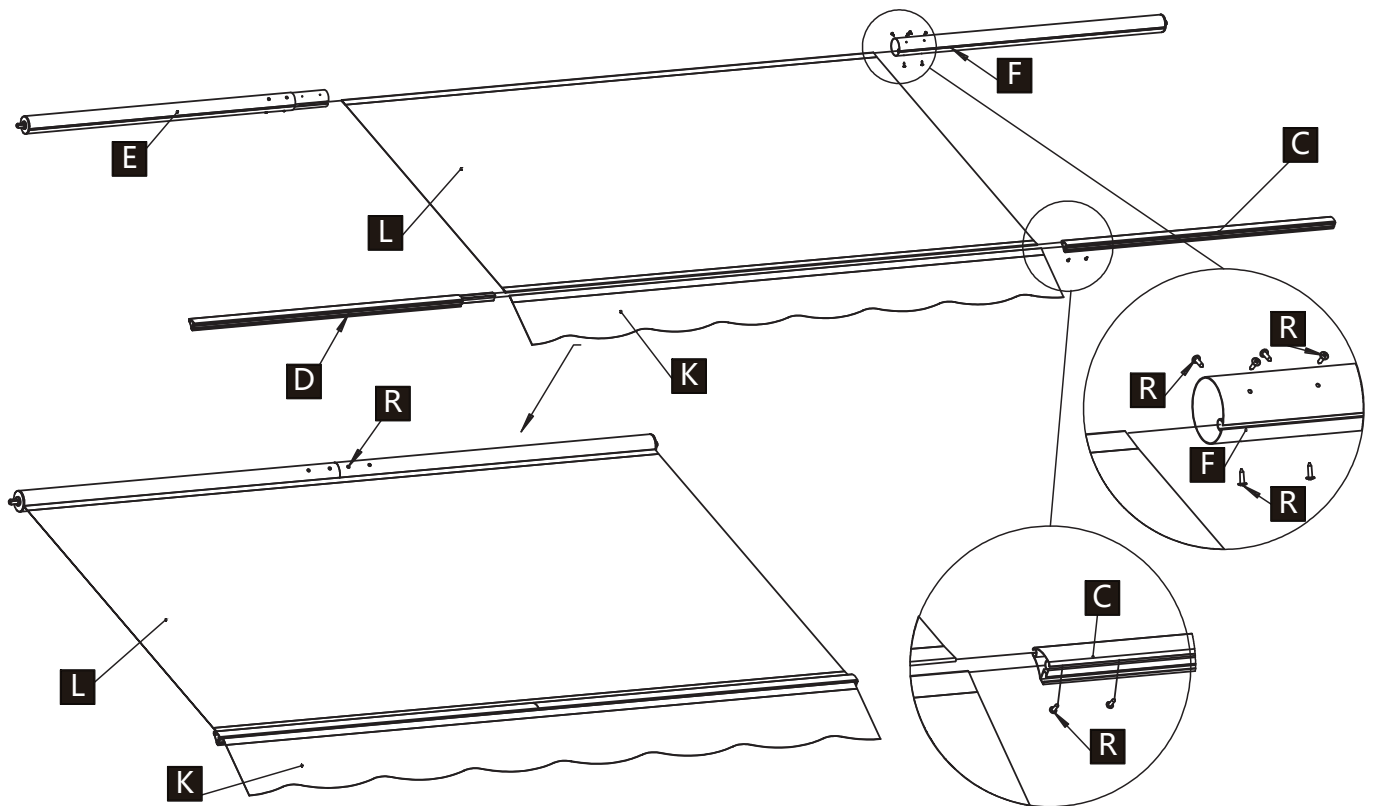
G 1Pc



St4X15

R 8Pcs

Step 3. Fabric Assembly and Connecting Roller and Front bar



C 1Pc



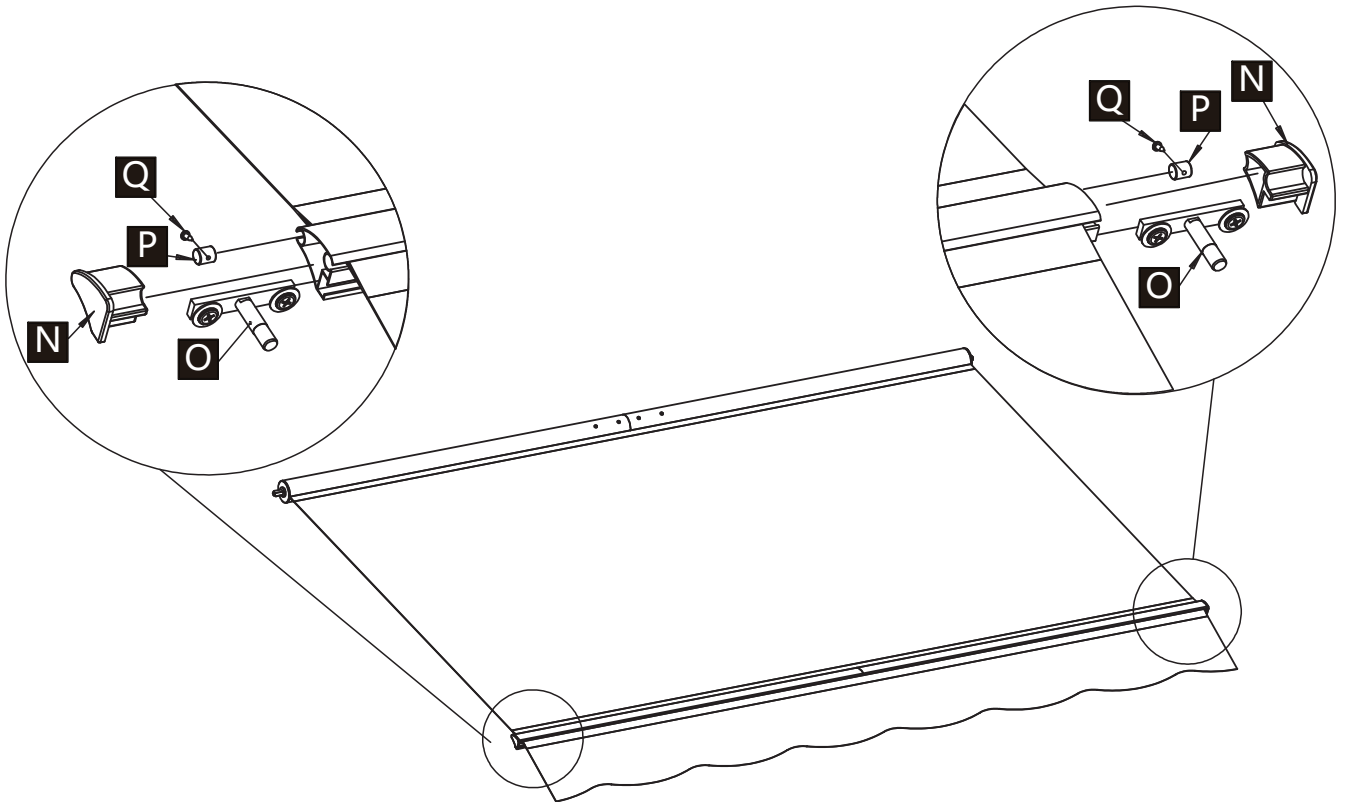
F 1Pc



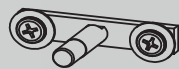
R 8Pcs

Step 4.

1. Put the Arm-bar Link into the Front bar
2. Put P part into the Front bar and Lock it with Screw Q
3. Tap the Front bar Caps



N 2Pcs



O 2Pcs

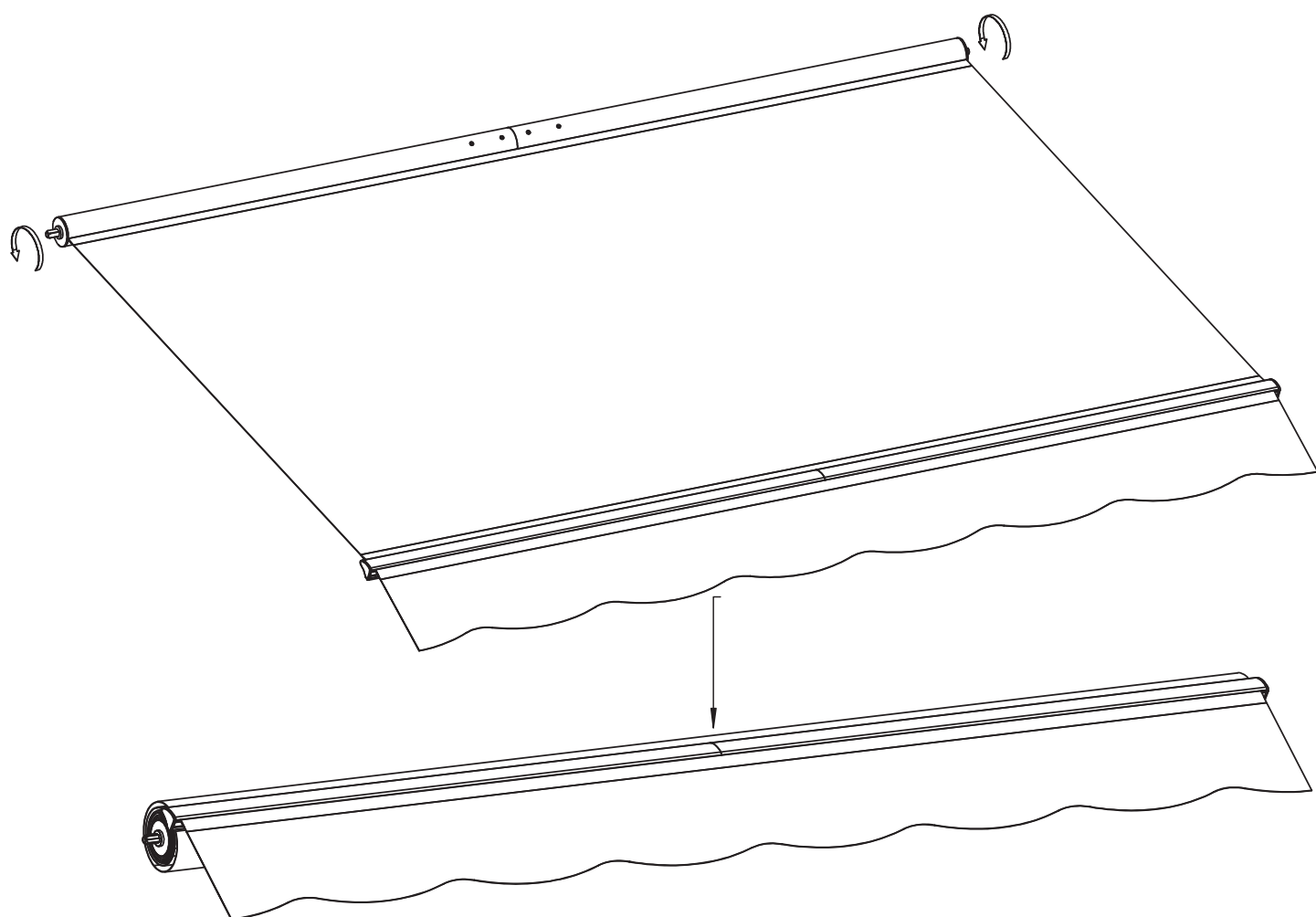


P 2Pcs



Q 2Pcs

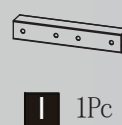
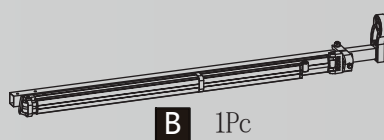
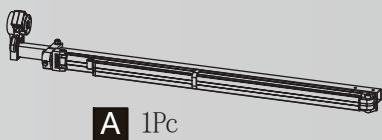
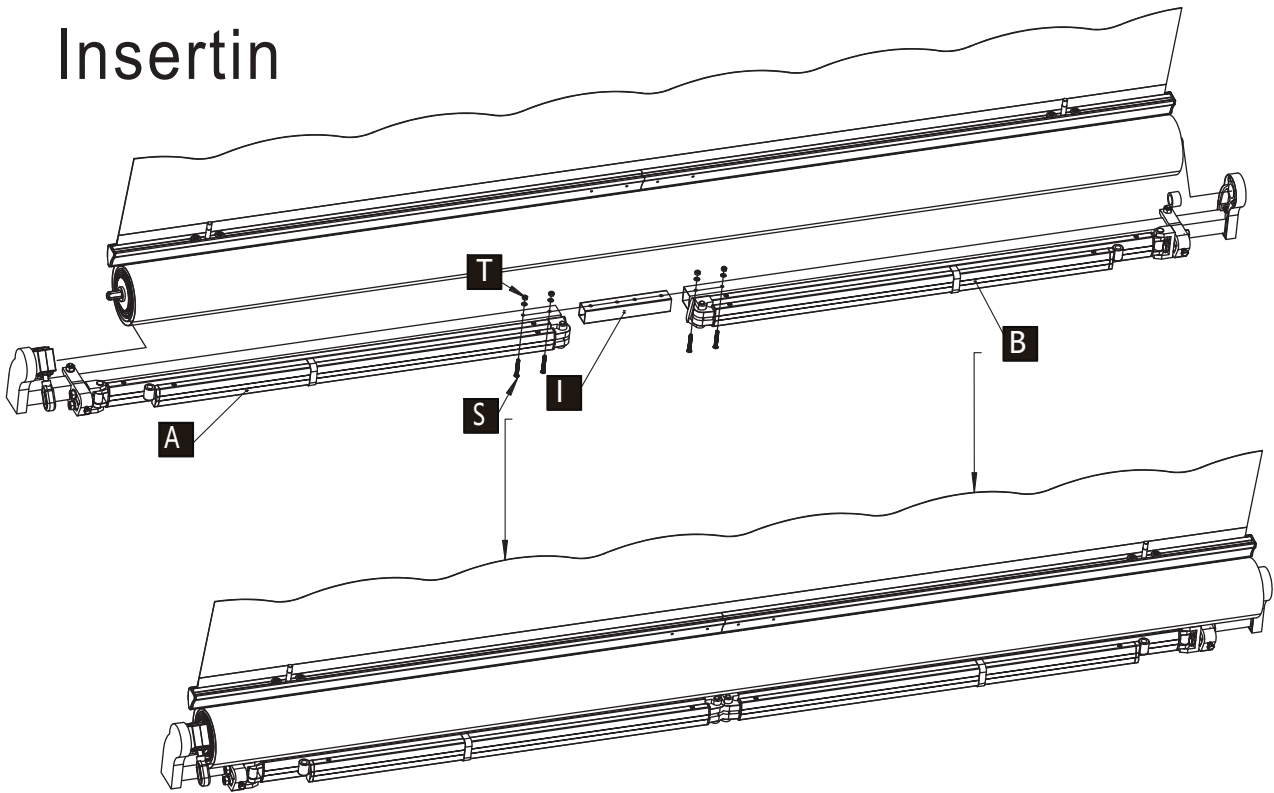
Step 5. Roll the awning Fabric as tightly as Possible



Step 6.

1. Connecting the Left Torstion bar(A and I),and The Right Torstion bar screwed it later.
2. Put the Roller into the Square hole of the gear box and Round of the rooler support,then push Left and Right Together.
- 3.Connected and Screwed the Right Torsionbar(B and I).

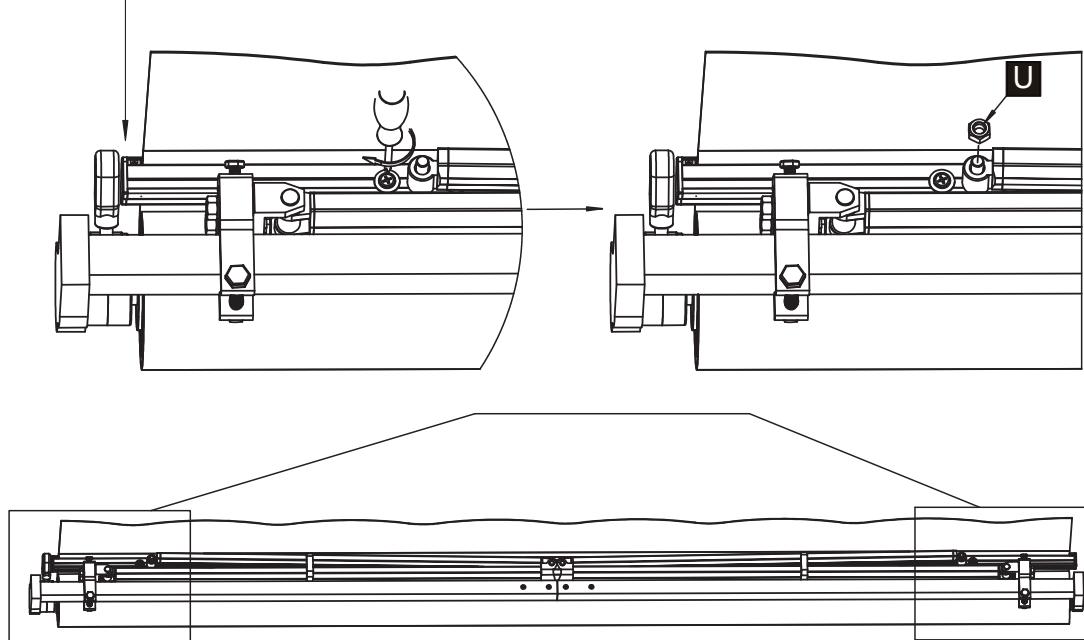
Insertin



Step 7. Setting Awning Position

1. Move the arm-Link until the front bar wrist support is Connected through it.
2. Align the front bar and the arm. and tighten the screw O part
3. Then tighten U the adjustable bolt up to 90% tight

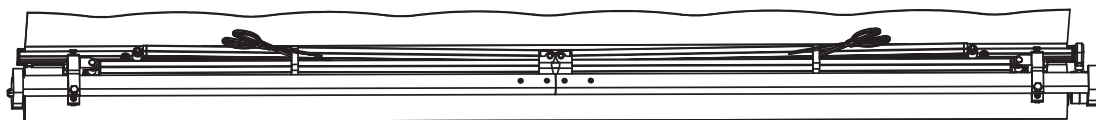
Note: The Front bar is Placed flat with the Roller.



U 2Pcs

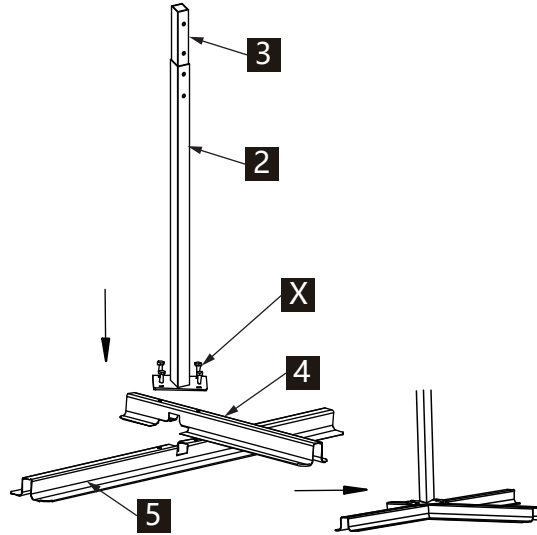
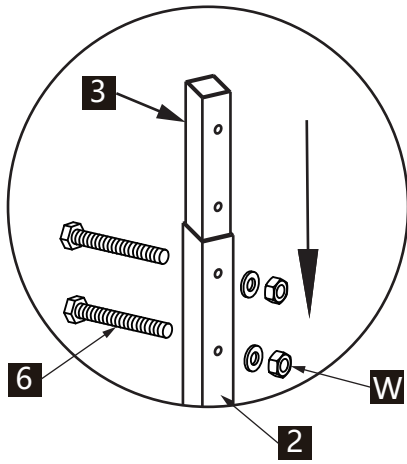
Step 8. Finishing Awning Assembly

1. It's safe to cut the safety sleeves that hold the arms and torsion bar down. Awning assembly is complete.
2. Now, Proceed to the Display Frame assembly.



Assembly Display Frame

Step 1



X2



W 4Pcs

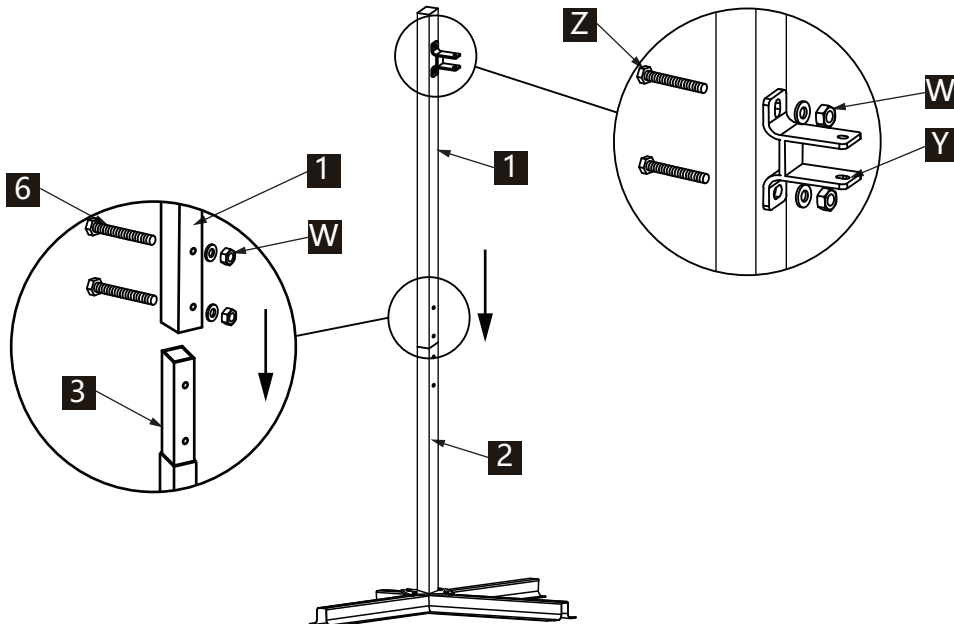


X 8Pcs



6 4Pcs

Step 2



X2



W 8Pcs

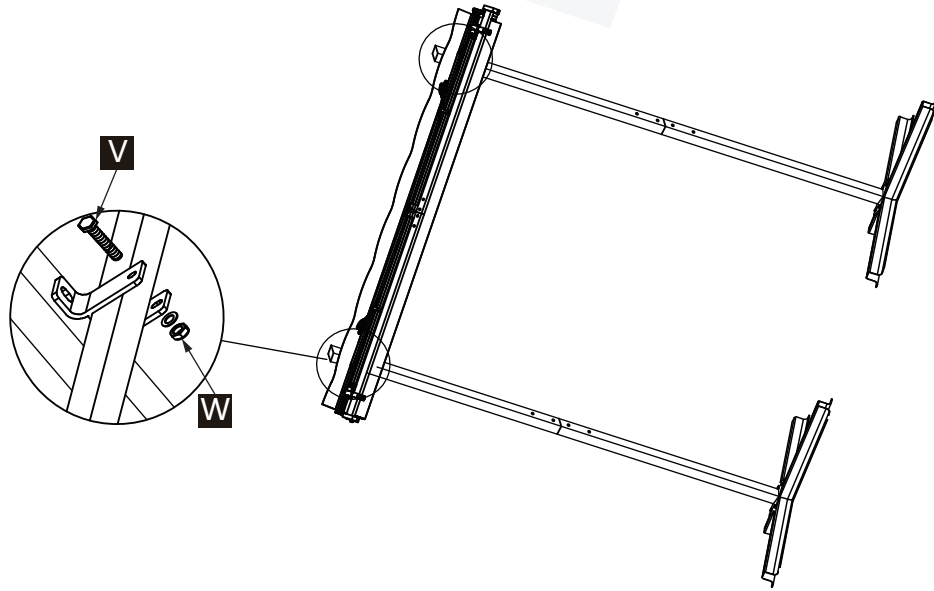


Z 4Pcs




6 4Pcs

Step 3



 M8X55
V 2Pcs

 M8
W 2Pcs

Step 4

