

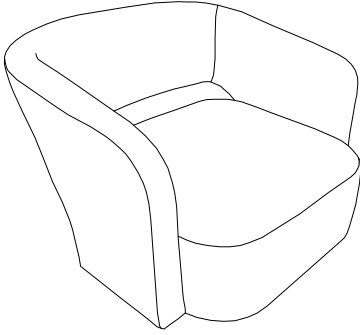
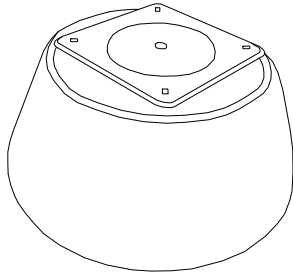
# Assembly Instructions

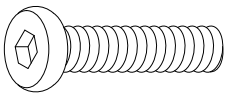
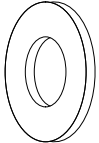
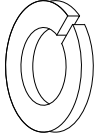

Your recliner comes packaged in one box. Carefully remove all of components from the packaging and set aside for assembly.

## CAUTION:

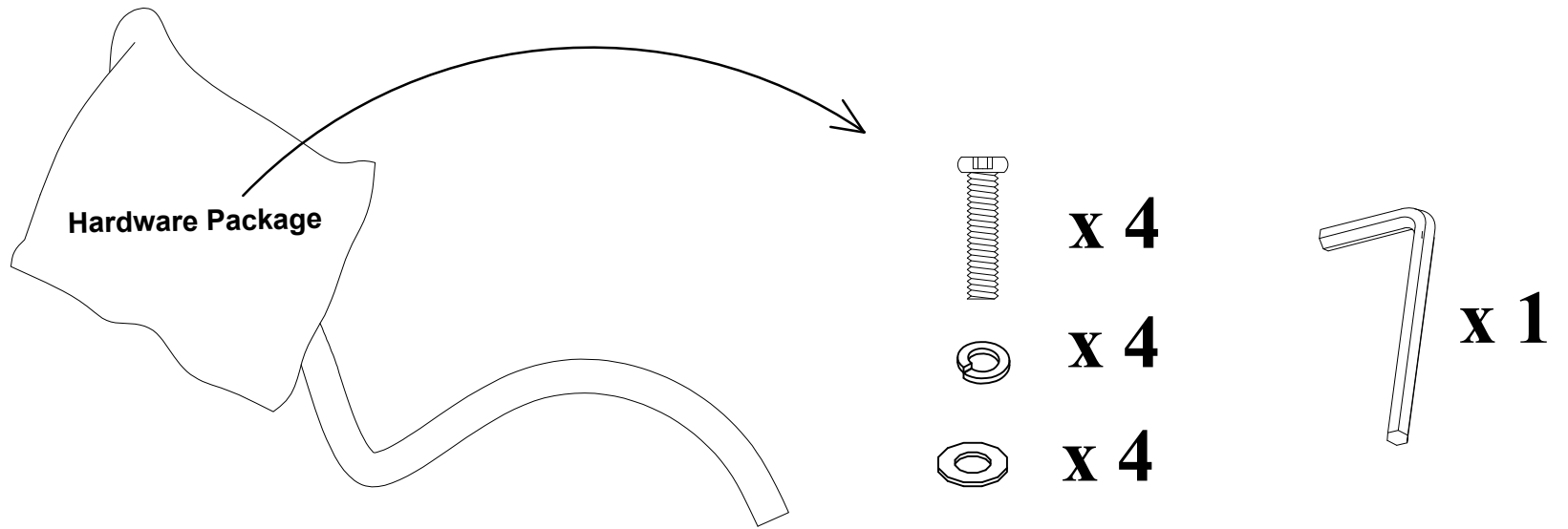
**DO NOT** use any sharp objects to open plastic wrapped components as damage to product or components may result.

## Package Contents

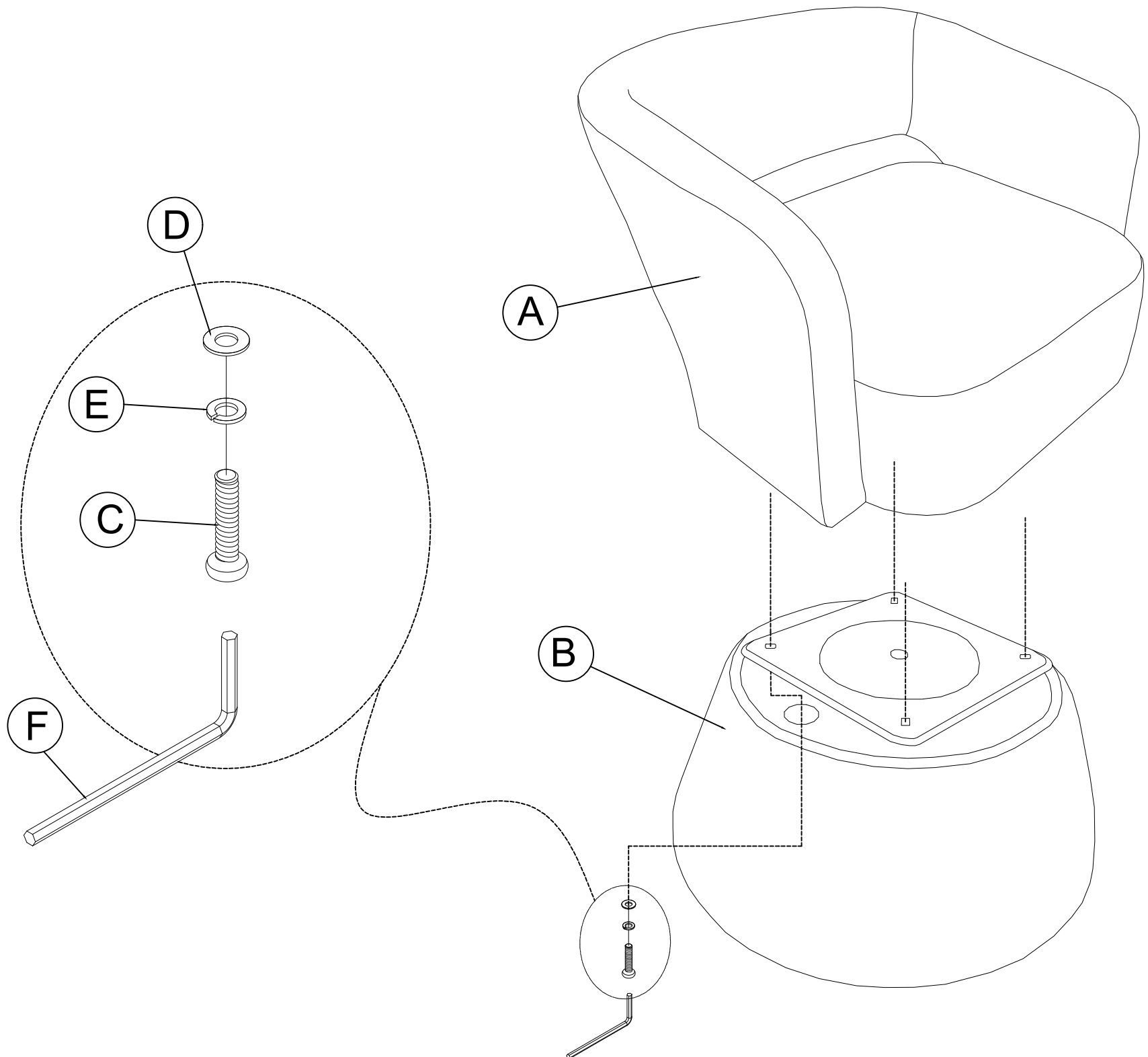
	
<b>A 1* Chair Seat</b>	<b>B 1* Base</b>

			
<b>C 4* Bolts</b> 1/4"*25mm	<b>D 4* Flat Washers</b> Ø19*Ø6*1.5mm	<b>E 4* Lock Washers</b> 1/4"*1.3mm	<b>F 1* Allen Wrench</b> M5*70*70mm

**Step 1:** Open the bag of hardware.

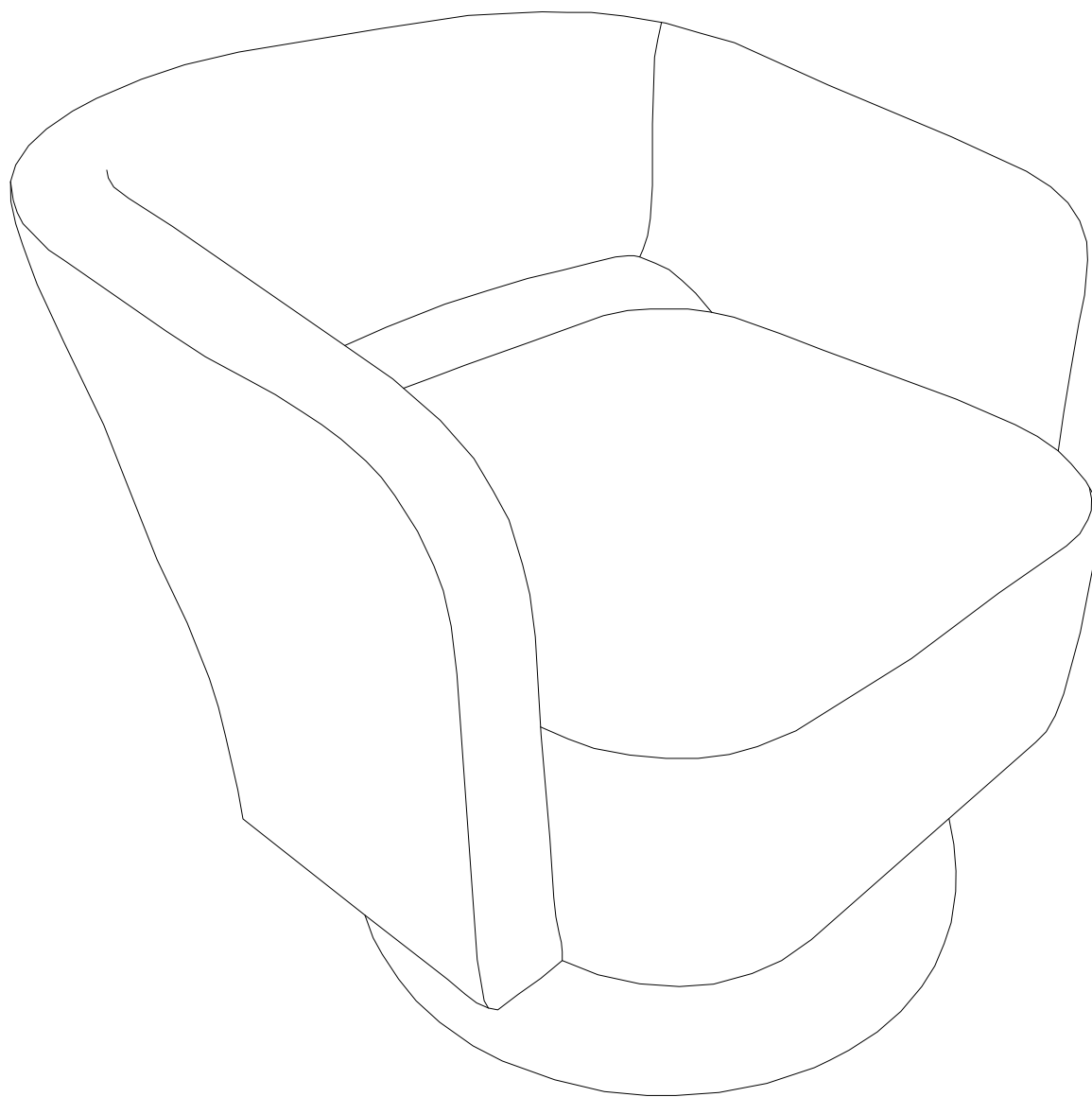


**Step 2:** Turn the chair upside down and base (B) to the chair seat (A) and using allen wrench(F) to loosely tighten bolts(C), lock washers(E), flat washers(D) as illustration below:



---

**Step 3:** Turn the chair over and place it upright on a level surface.  
Assembly is complete.



**ATTENTION!!**

Bolts may loosen during normal everyday use. They should be periodically inspected and re-tightened to prevent damage or injury. Always check to ensure that all hardware is kept tightened.

## Warnings

1. Please check if the components of the chair are all included and can be used normally.
2. Assemble all components according to the instruction correctly.
3. If the chair is damaged or doesn't match the website description, please send clear pictures of the product and label of the carton to our service team for further help.

If the chair still doesn't assembly, please feed the information back to our customer service in time and we'll help you solve the matter as soon as possible

4. If you have any questions with the product, please contact us