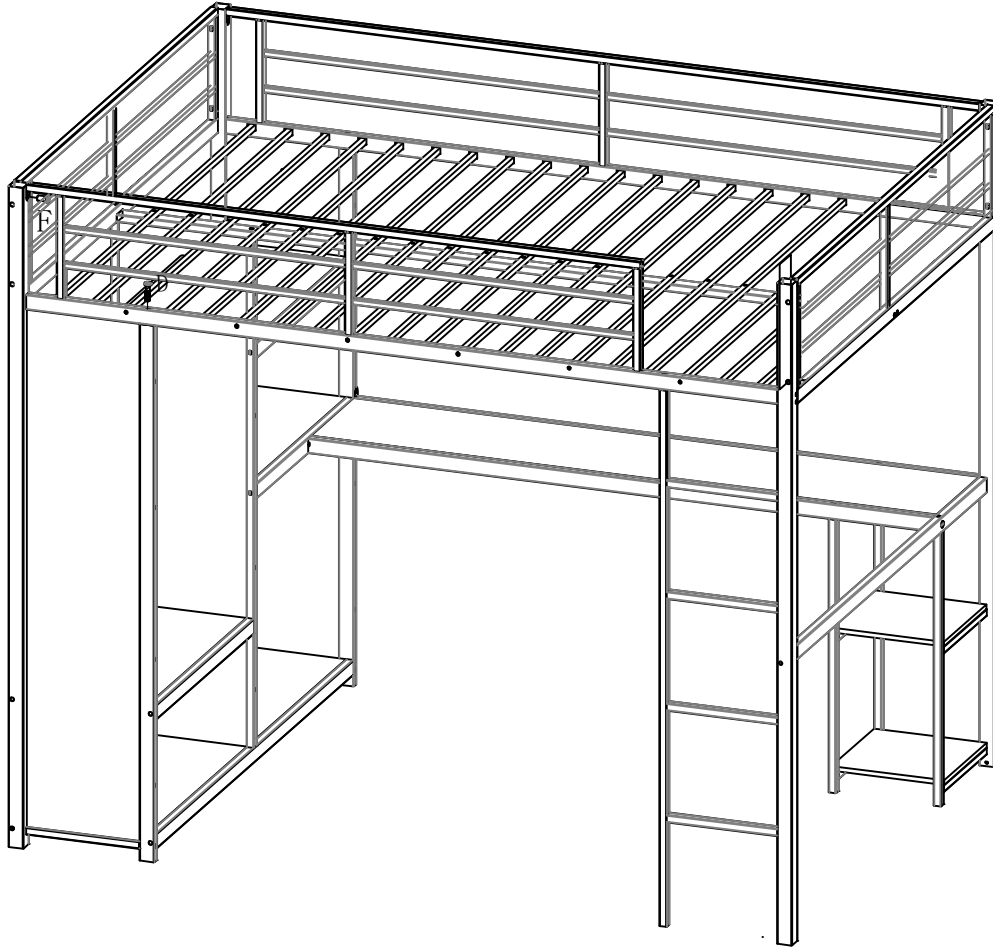


LOFT BED ASSEMBLY INSTRUCTIONS



SAFETY WARNINGS AND GENERAL NOTES:

1. Follow the information on the warnings on the bunk bed end structure and on the carton. Do not remove the warning label from the bed.
2. Always use the recommended size mattress on mattress support, or both, to help prevent the likelihood of entrapment or falls.
3. Do not allow children under 6 years of age to use the upper bunk.
4. Periodically check and ensure the guardrail, ladder and other components are in their proper position, free from damage, and all connectors are tight.
5. Do not allow horseplay on or under beds.
6. Always prohibit jumping on the bed.
7. Prohibit more than one person on upper bunk.
8. Always use the ladder for entering and leaving the upper bunk.
9. Do not use substitute parts. Contact the manufacturer or dealer for replacement parts.
10. Use of a night-tight may provide added safety precaution for a child using the upper bunk.

11. Always use guardrails on both long sides of the upper bunk.
12. If the bunk bed will be placed next to a wall, the guardrail that runs the full length of the bed should be placed against the wall to prevent entrapment between the bed and the wall.

The use of water or sleep flotation mattresses is prohibited.

13. **STRANGULATION HAZARD**-Never attach or hang items to any part of the bunk bed that are not designed for use with the bed; for example, but not limited to, hooks, belts and jump ropes.

14. Keep these instructions for future reference.
15. We recommend assembling your bunk bed on the shipping carton to protect your floor or carpet.
16. Be certain all staples are out of the box before beginning assembly on the shipping carton.

17. USE ONLY MATTRESSES WHICH ARE AS THE TABLE BELOW ON UPPER AND ON LOWER BUNKS.

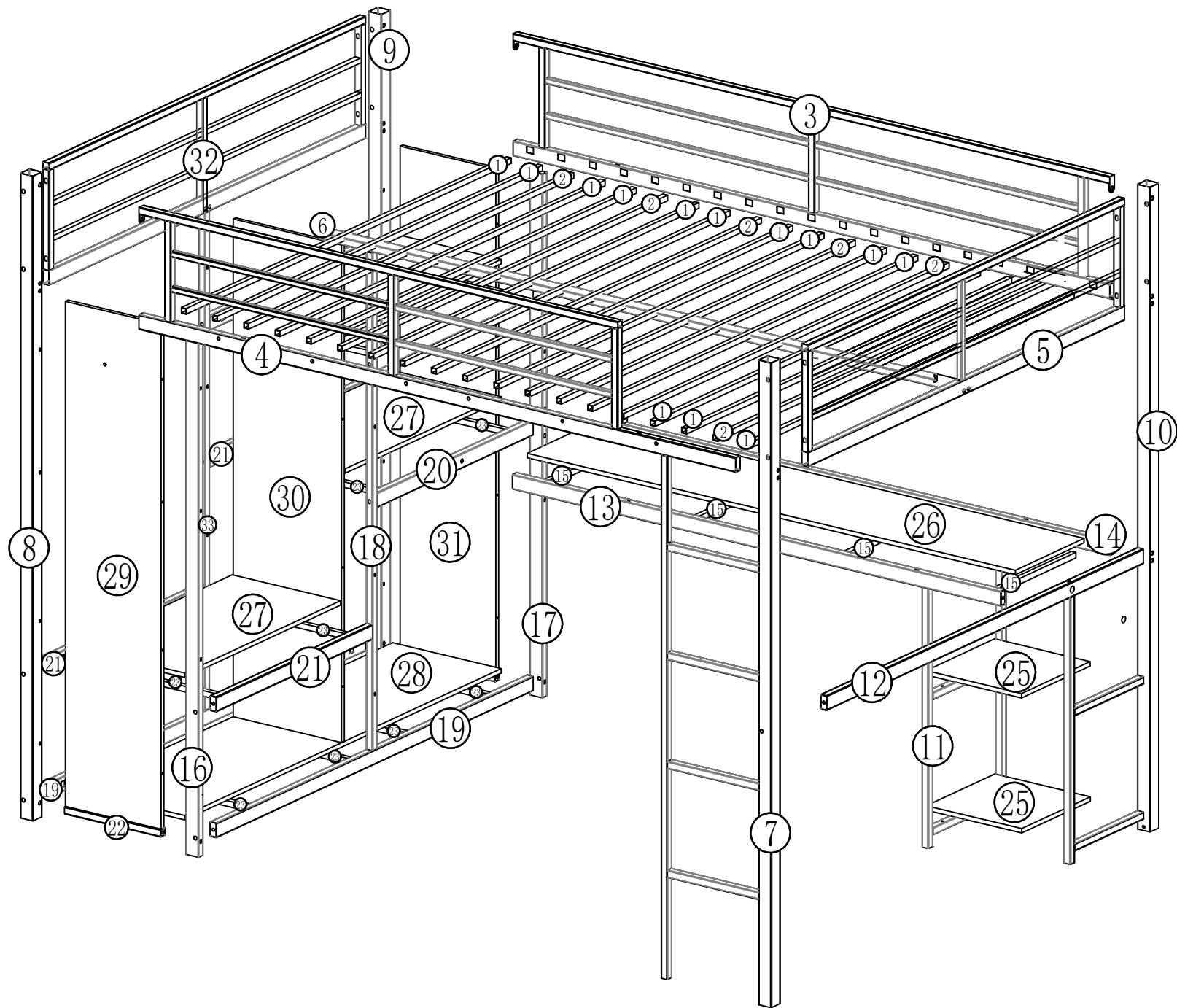
Up bed (bunk bed and tribed included)

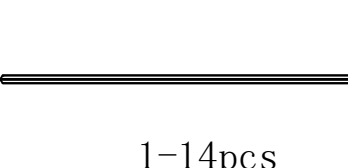

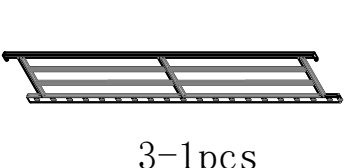
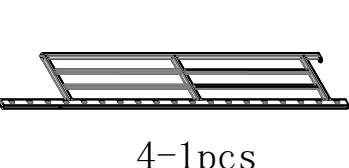
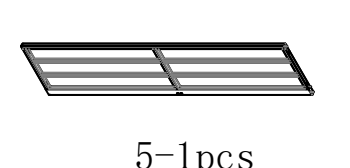
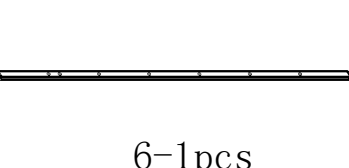
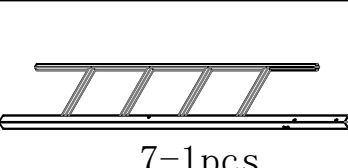
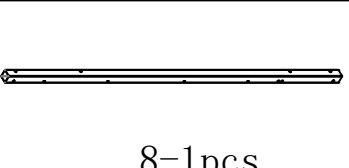




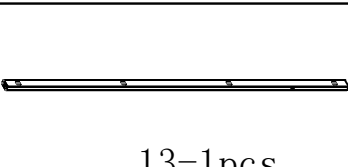
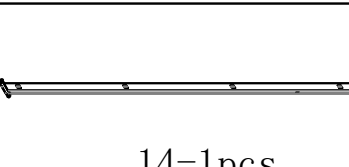
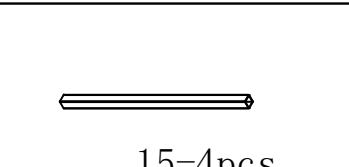

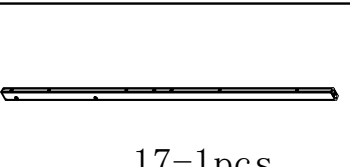

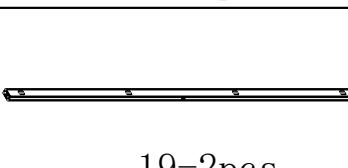
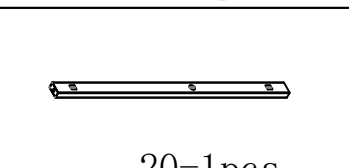
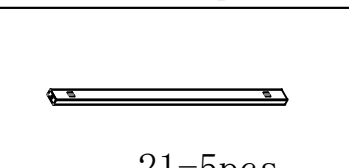
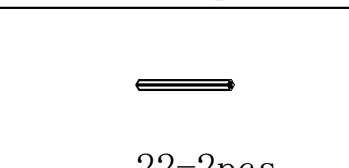
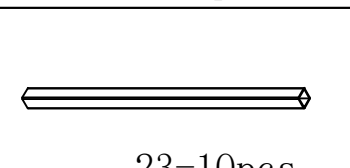
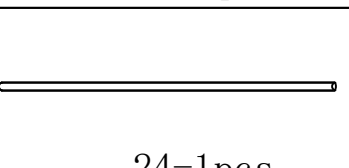

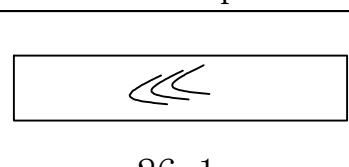
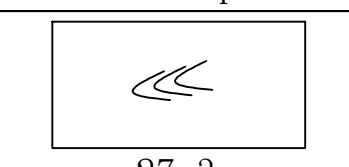
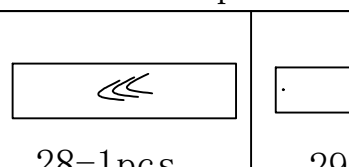
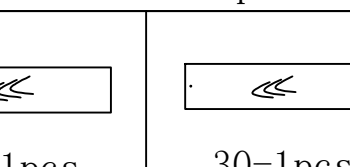
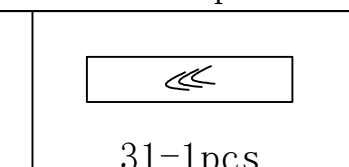
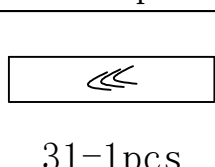
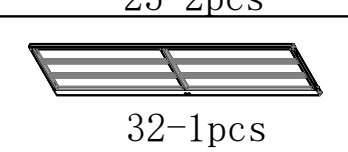
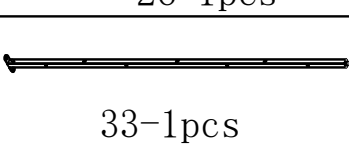
Mattress size	Length	Width	Thickness
Twin xl Standard	79"-80"	38"-39"	6"max
















18. SURFACE OF MATTRESS MUST BE AT LEAST 5"(127MM) BELOW THE UPPER EDGE OF GUARDRAILS.

19. Replacement Parts:

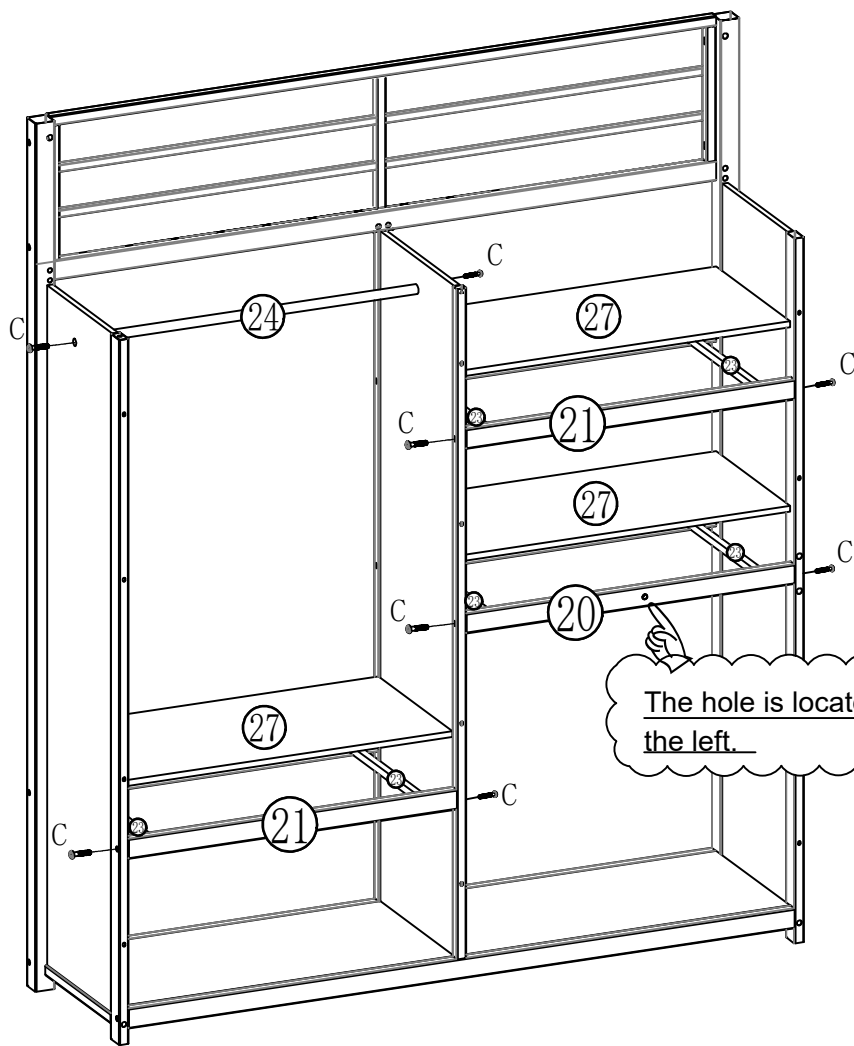
Replacement Parts, including additional guardrails, may be obtained from any of our (Shenzhen Yuefeng Zhiqi Technology Co., Ltd) dealers.



 1-14pcs	 2-6pcs	 3-1pcs	 4-1pcs	 5-1pcs	 6-1pcs	
 7-1pcs	 8-1pcs	 9-1pcs	 10-1pcs	 11-1pcs	 12-1pcs	
 13-1pcs	 14-1pcs	 15-4pcs	 16-1pcs	 17-1pcs	 18-1pcs	
 19-2pcs	 20-1pcs	 21-5pcs	 22-2pcs	 23-10pcs	 24-1pcs	
 25-2pcs	 26-1pcs	 27-3pcs	 28-1pcs	 29-1pcs	 30-1pcs	 31-1pcs
 32-1pcs	 33-1pcs	<h1>HARDWARE LIST</h1>				

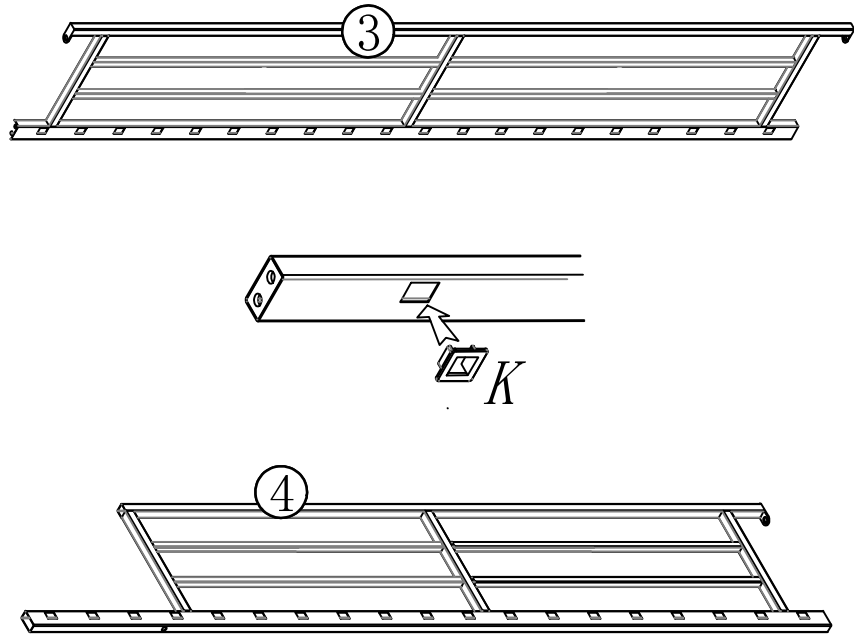
 4*35-8PCS			 8*15-11PCS	 40PCS	 B 8*16 4PCS	 (Installed)	 (Installed)	 (Installed)	 1PCS	 M
 4*45-16PCS	 8*35 23PCS	 8*55 37PCS	 6*30-18PCS							






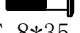

Step 3: Use hardware C,D,F,and L to connect #6 #10 #16 #17 and #19together.






The hole is located on the left.

Step 4: Install part #K to parts #3 and #4together.



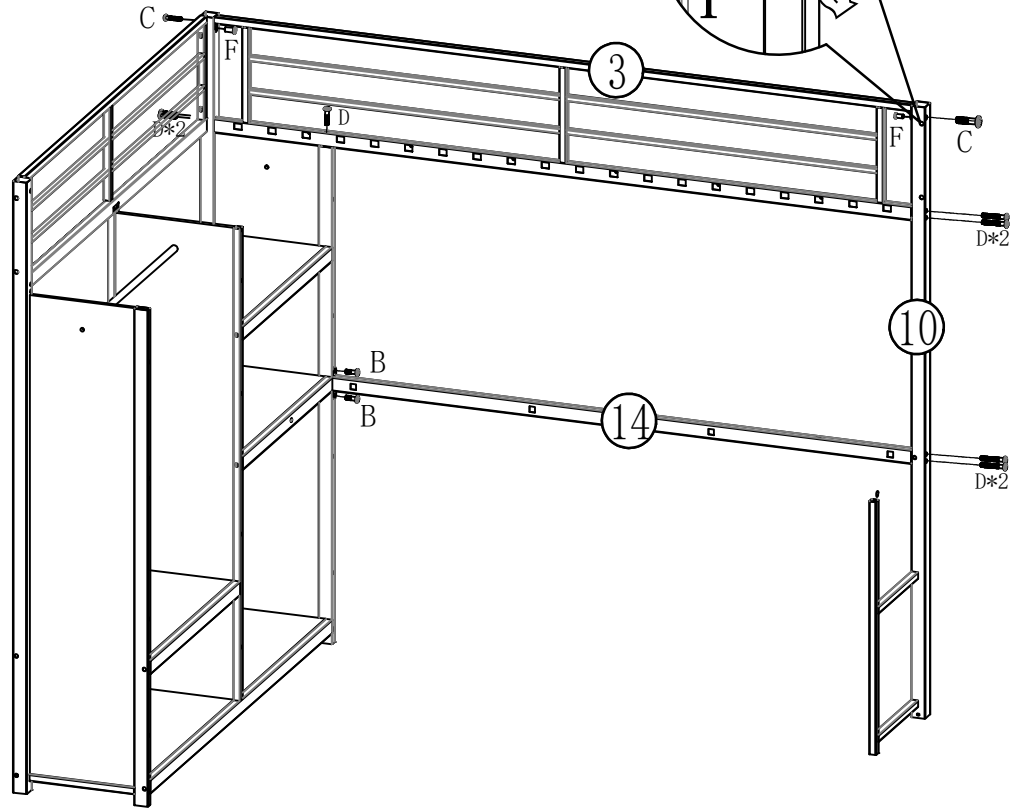
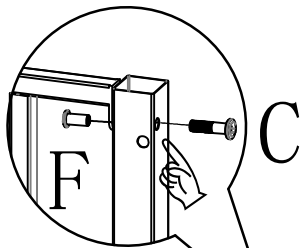
						
24-1pcs	21-2pcs	20-1pcs	23-6pcs	27-3pcs	C 8*35 -8PCS	L

		
3-1pcs	4-1pcs	K*40

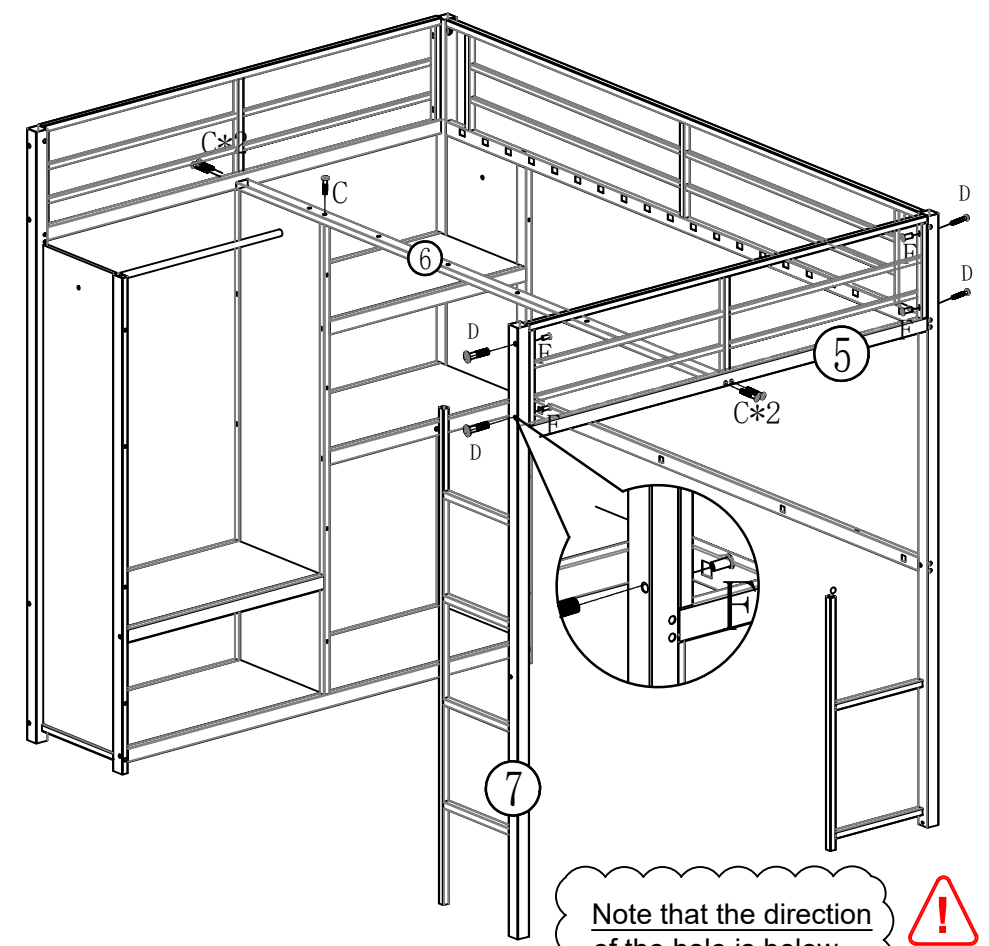
Step 5: Use hardware C,D,F,B,and L to connect #3 #10 and #14 together.



Note that the direction of the hole is below.



Step 6: Use hardware C,D,F,and L to connect #5#6#7to the previously installed components.

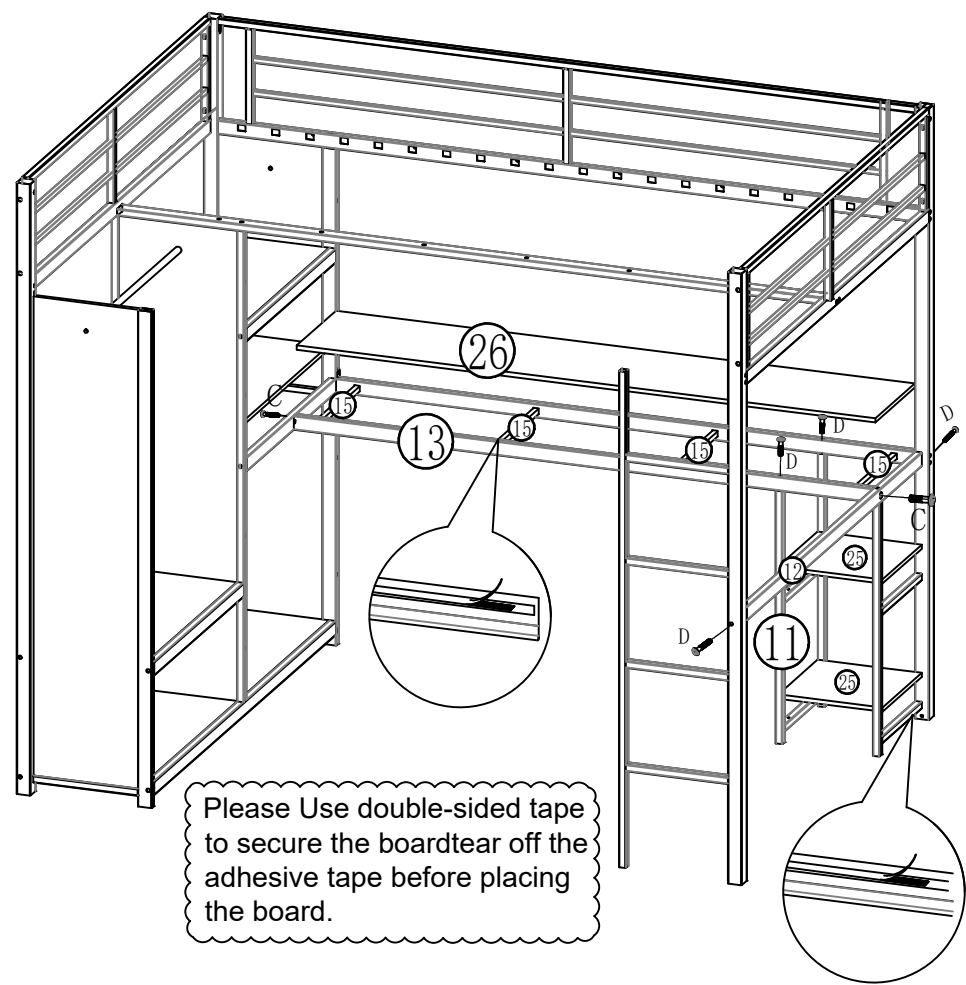


Note that the direction of the hole is below.


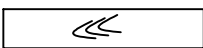

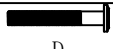

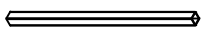


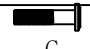
3-1pcs	10-1pcs	14-1pcs	B 8*15-2PCS	C 8*35-2PCS	
			D 8*55-7PCS	F 8*15-2PCS	

6-1pcs	5-1pcs	7-1pcs	D 8*55-4PCS	F 8*15-4PCS
			C 8*35-5PCS	L

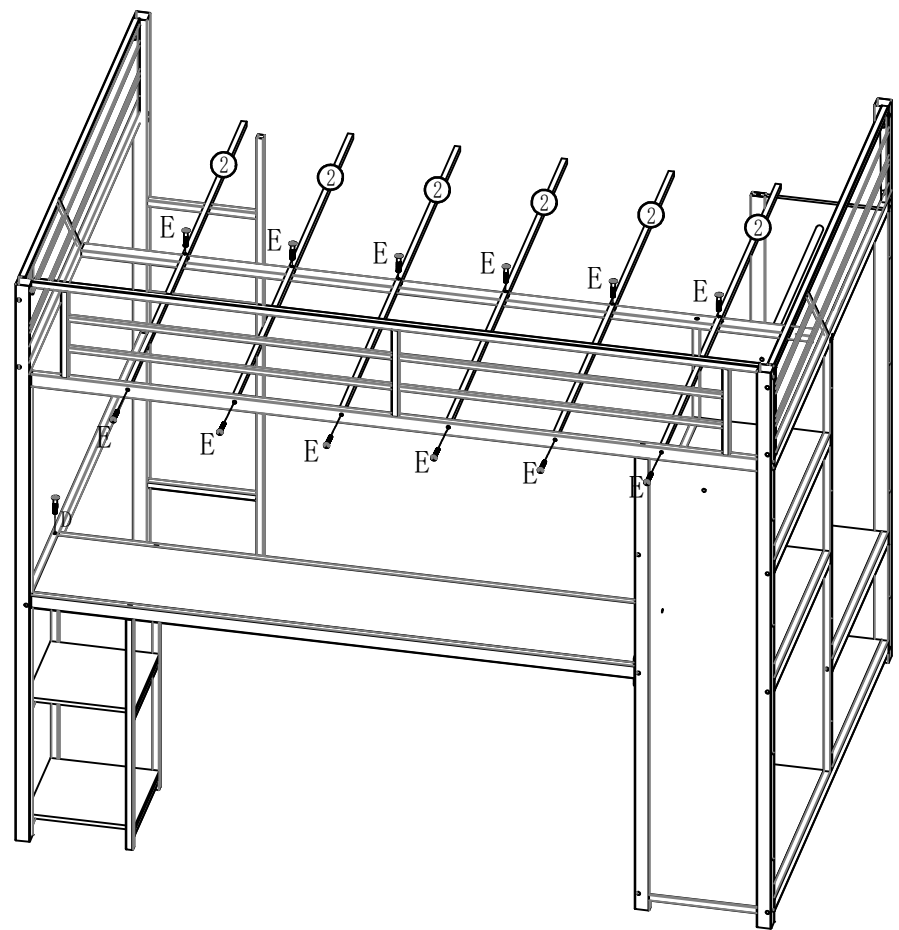
Step 7: Use hardware C,D,and L to connect #13 #15#12 #26 #11and #25together.


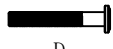




Please Use double-sided tape to secure the boardtear off the adhesive tape before placing the board.

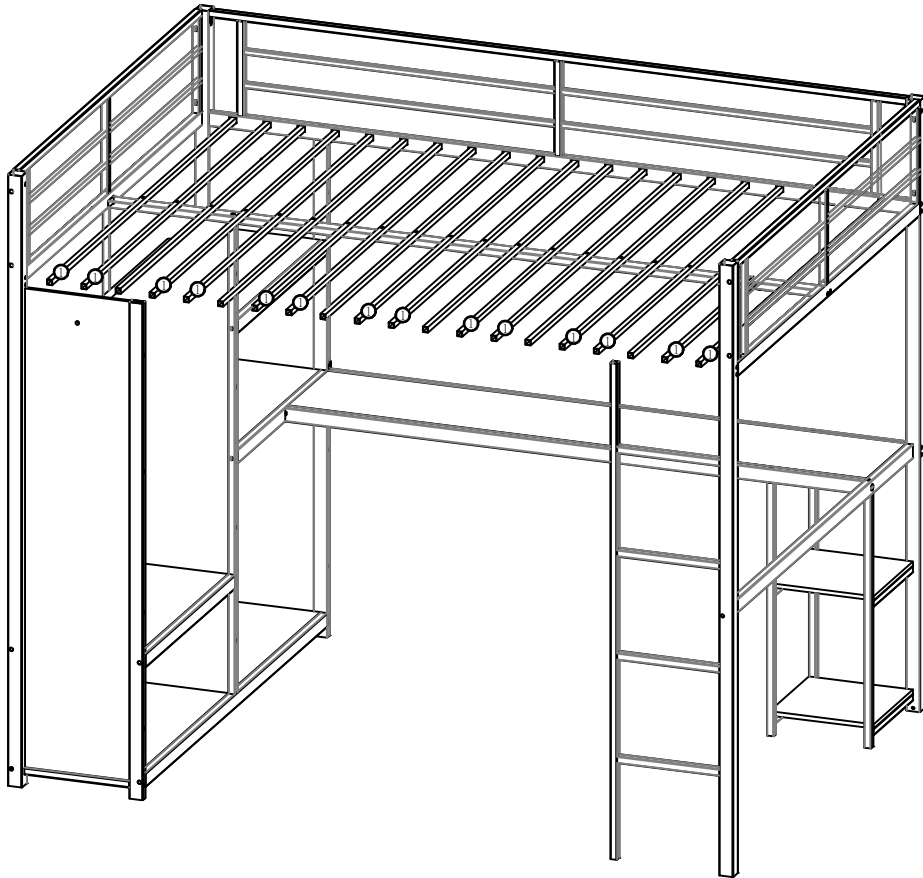
 13-1pcs	 26-1pcs	 11-1pcs	 D 8*55-4PCS	 L
 15-4pcs	 25-2pcs	 12-1pcs	 C 8*35-2PCS	

Step 8: Use hardware ,D,E,and L to connect #2to the previously installed components.



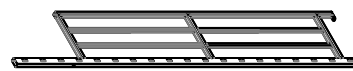
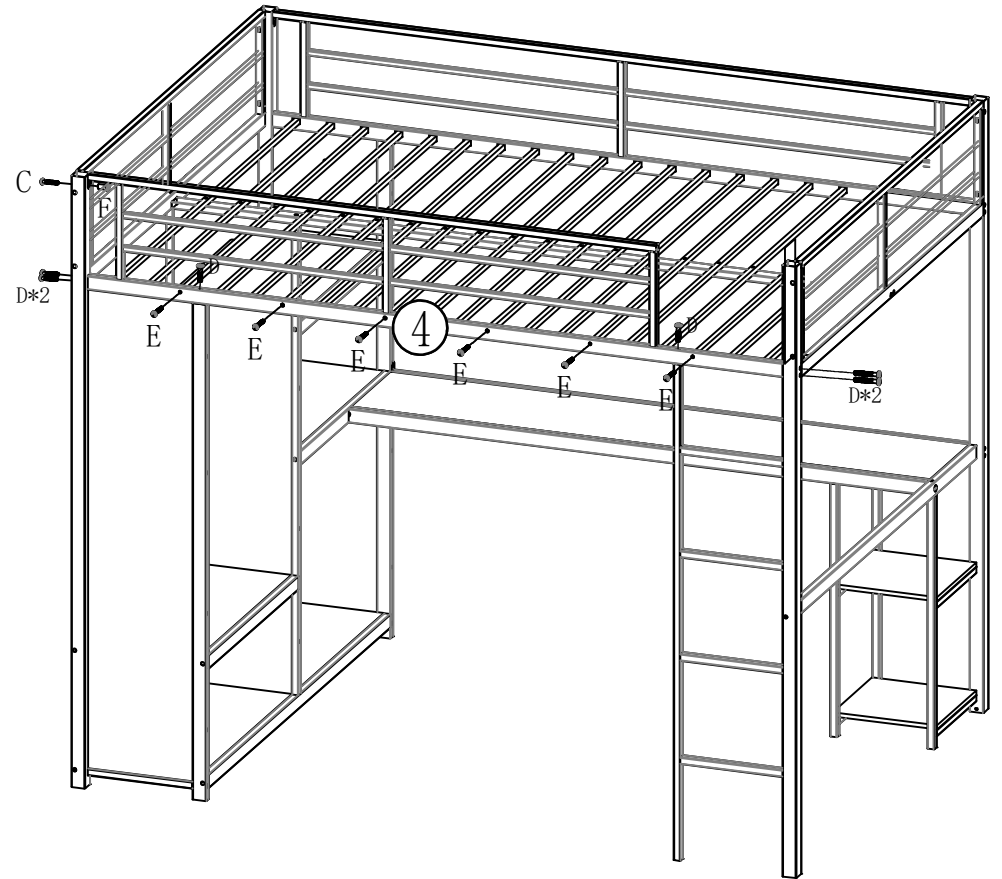
 2-6pcs	 D 8*55-1PCS	 E 6*30-12PCS	 L
---	---	--	--

Step 9: Connect #1 to the previously installed components.



1-14pcs

Step 10: Use hardware C,D,E,F, and L to connect #4 to the previously installed components.



4-1pcs



D
8*55-6PCS



E
6*30-6PCS



C
8*35-1PCS

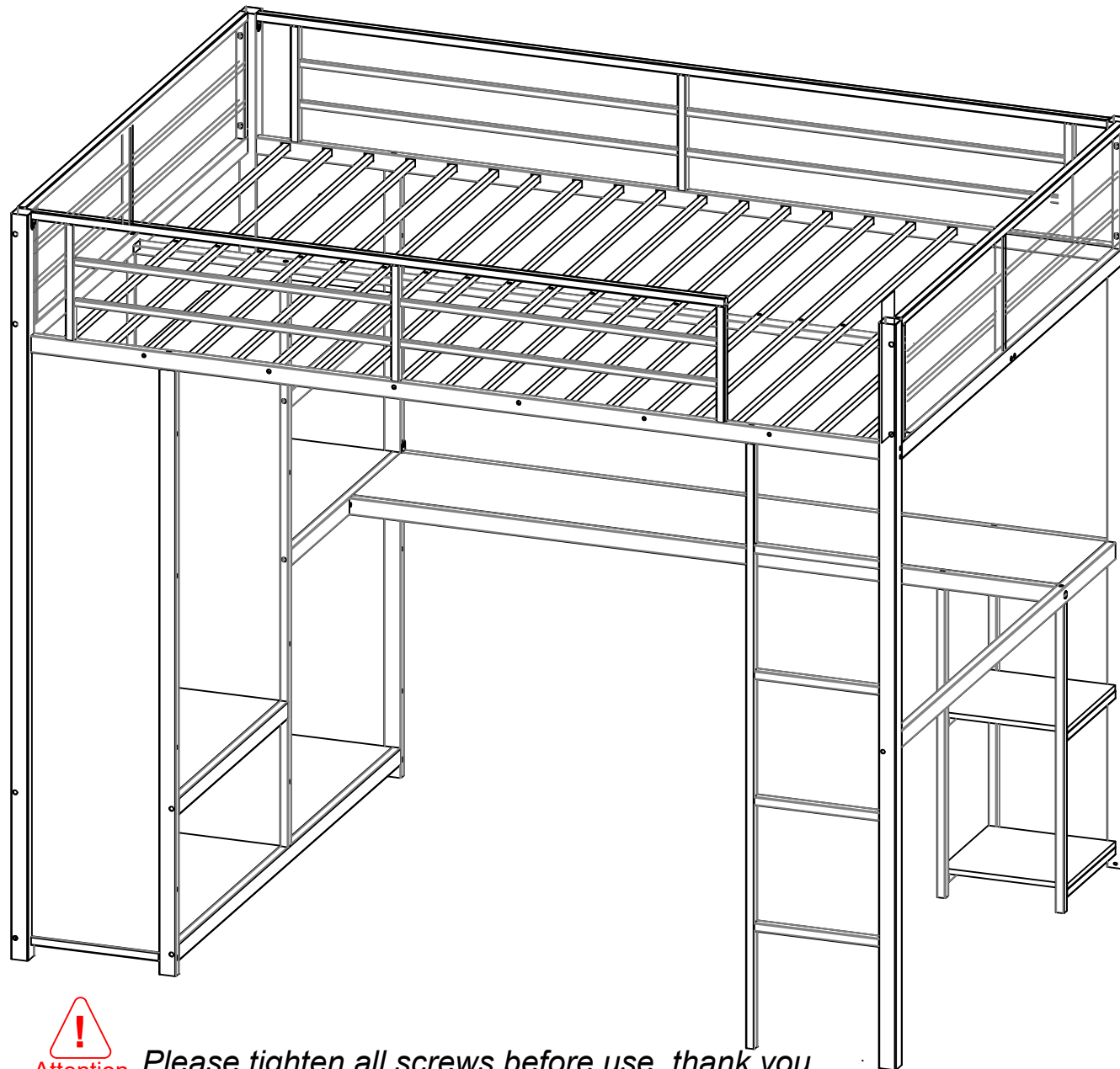


F
8*15-1PCS



L

Completed loft bed



Attention

Please tighten all screws before use, thank you.