



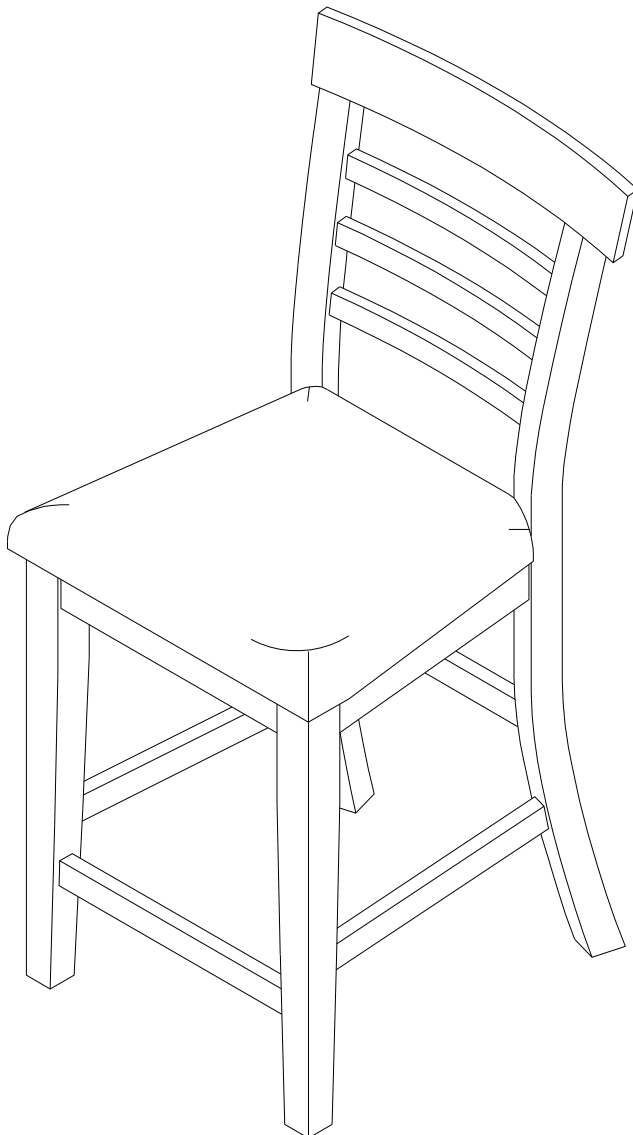
ASSEMBLY INSTRUCTIONS

MODEL #

WI3156PC-2PK

Questions?

GIVE US A CALL: 1-888-980-5122
MON-FRI 8:30AM - 5:30PM (PT)



TOOLS REQUIRED



Allen Wrench

(Included)



Phillips
Screwdriver

(Not Included)



2 - People
Recommended

ASSEMBLY RATING



EASY ————— DIFFICULT

The Assembly Rating is a 5-point system showing the level of effort needed to assemble a specific product.




FOA Intro


Thank you for your purchase!

We hope you enjoy this new addition to your home for many years to come.

Our commitment to providing quality products does not simply end when you purchase our product. We fully stand behind our products from start to finish. Our customer service department is available Monday – Friday 8:30 AM – 5:30 PM Pacific Time and can help with assembly questions as well as, if necessary, replacing damaged or missing parts. To help expedite our service, please have these assembly instructions readily available, along with your order receipt.


 Consumer Hotline
Toll-Free 1-888-980-5122

 WEBSITE
www.foagroup.com

 Monday to Friday
8:30AM- 5:30PM (PT)

 E-MAIL
cs.ec@foagroup.com

    foagroup

 FurnitureOfAmerica

CHECK BEFORE STARTING

Are you missing anything?
Double-check all parts, hardware and accessories listed are all accounted for.

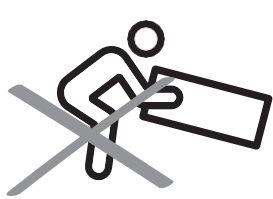
Should we send any replacements?
Are there any irregularities or flaws in the parts? We can send replacements!

Check out our Quick Tips!
We recommend reviewing the pre-assembly handouts. Even experts need a refresher now and then!

Prep Time!
Please review the assembly instructions and all diagrams prior to assembling.

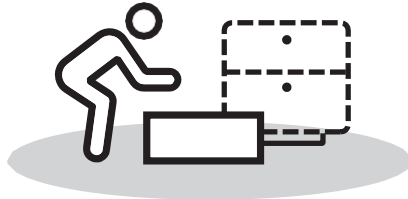
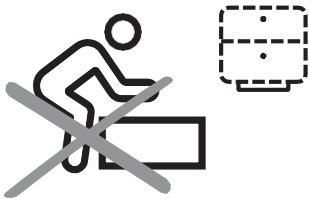
PRE ASSEMBLY INTRODUCTION

We understand building ready-to-assemble furniture can be a challenging experience for some. To help avoid confusion, we have provided some helpful tips that may speed up the process.



Teamwork

ALWAYS have at least two people to help with transporting and assembling the product to avoid potential injury and/or damage.



Suitable Location

Assembling near the area of the intended location is highly recommended.



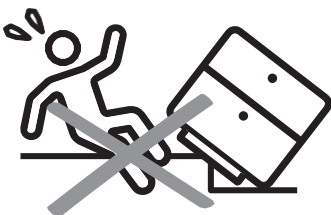
Sufficient Space

Make sure you have enough space to move around during the assembly.



Avoid Scratches

Use cardboard, blankets or a carpeted area while assembling furniture to prevent to prevent scratches and damages.



Flat Surface

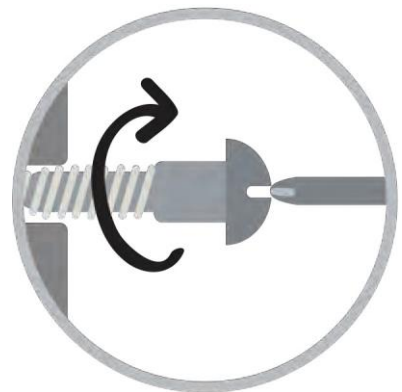
Make sure the furniture rests on a flat and level surface with each leg evenly touching the floor.

ASSEMBLY AND CARE ADVICE

@) **FAILURE TO FOLLOW THE GUIDELINES BELOW MAY
RESULT IN INJURY AND/OR PROPERTY DAMAGE.**



Position each part correctly and insert screws or bolts into their respective holes.



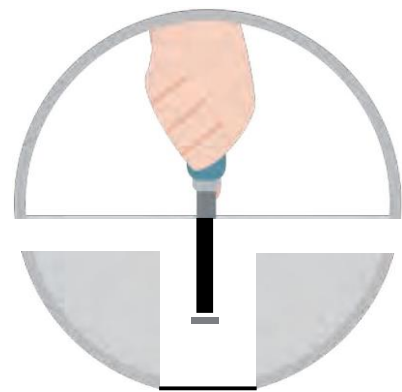
Turn clockwise to tighten and only tighten when step is completed or when instructed to do so.



Use the appropriate hand tools or power tools for assembly. Select steps, such as tightening screws and/or bolts, may require hand tools to avoid causing damage during assembly.



Save the instructions and store any supplied tools for later maintenance.

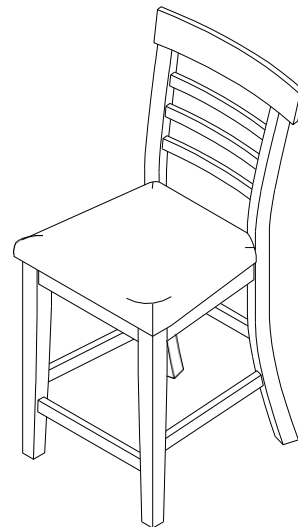
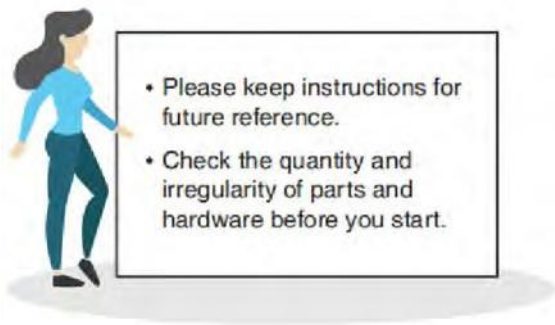


After two weeks, check and tighten any loose hardware and repeat again every six months thereafter.

IT IS THE USER'S RESPONSIBILITY TO MAINTAIN THE FURNITURE. THE HARDWARE MAY LOOSEN OVER TIME AND MAY CAUSE THE FURNITURE TO BE WOBBLY AND UNABLE TO SUPPORT ITS INTENDED WEIGHT CAPACITY. THIS MAY LEAD TO COLLAPSE AND MAY CAUSE SERIOUS INJURY.

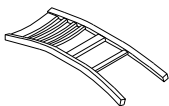
CHAIR

WI3156PC-2PK



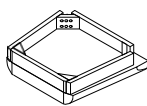
PARTS

#1 1pc x2



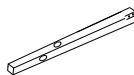
Chair back

#2 1pc x2



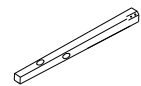
Seat cushion

#3 1pc x2



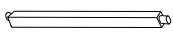
Front Left Leg

#4 1pc x2



Front Right Leg

#5 1pc x2



Left stretcher

#6 1pc x2



Right stretcher

#7 1pc x2



Front stretcher

HARDWARE

#A 4pcs x2



Bolt
Ø1/4" x 3-1/8"

#B 4pcs x2



Bolt
Ø1/4" x 2-1/2"

#C 2pcs x2



Bolt
Ø1/4" x 1-1/2"

#D 10pcs x2



Spring Washer
Ø1/4"

#E 10pcs x2



Flat Washer
Ø1/4"

#F 1pc x2



Allen Key
4mm

#G 6pcs x2



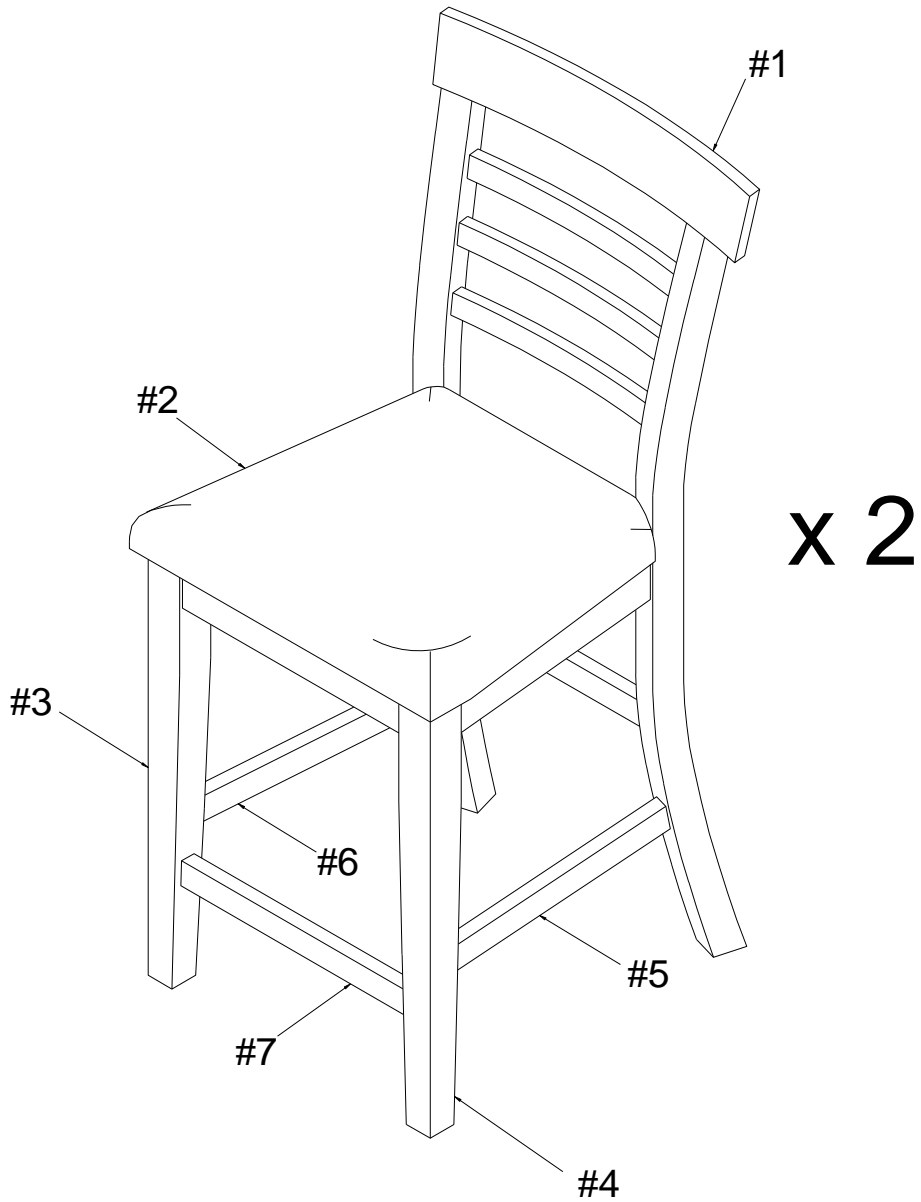
Screw
#4 x 38mm

#H 1pc x2



Wood Dowel
Ø10 x 25mm

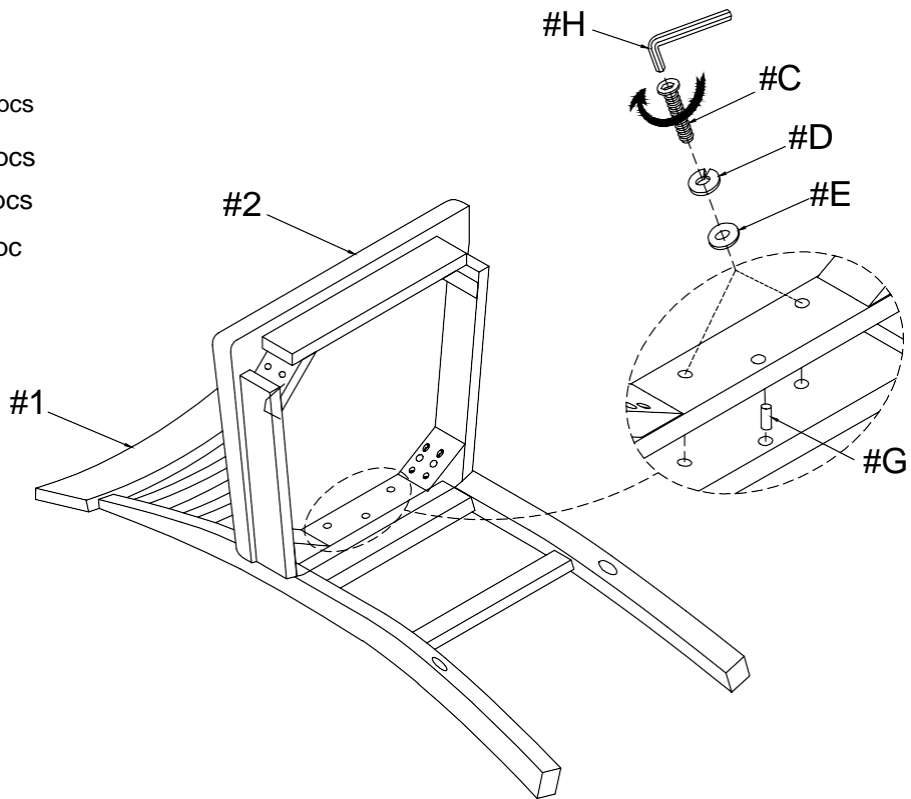
Exploded View



ASSEMBLY INSTRUCTIONS

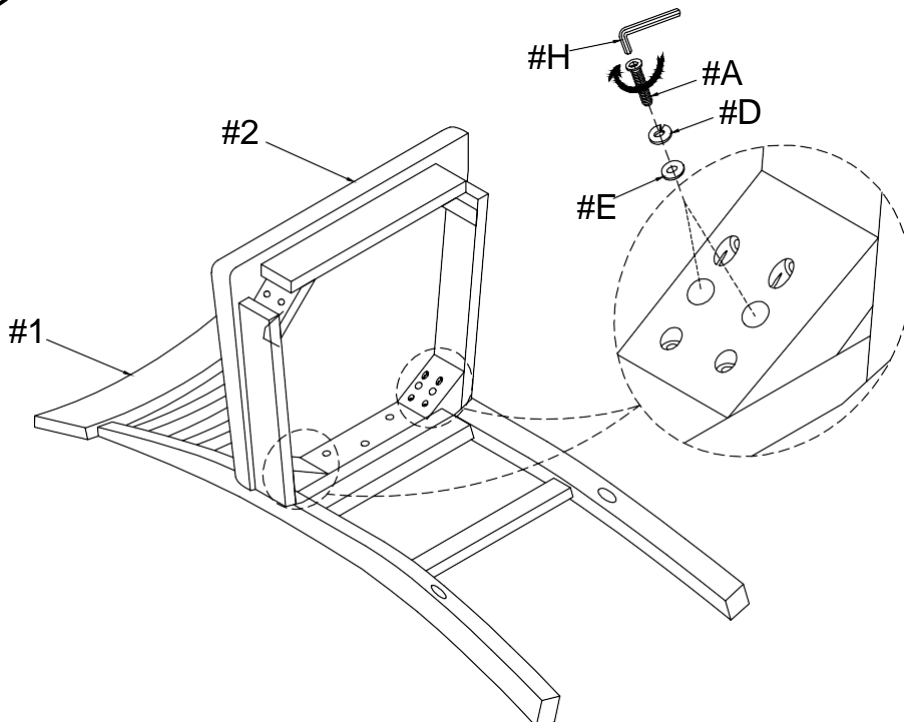
1

- Part #1 x 1pc
- Part #2 x 1pc
- Hardware #C x 2pcs
- Hardware #D x 2pcs
- Hardware #E x 2pcs
- Hardware #G x 1pc



2

- Hardware #A x 4pcs
- Hardware #D x 4pcs
- Hardware #E x 4pcs



ASSEMBLY INSTRUCTIONS

3

Part #3 x 1pc

Part #4 x 1pc

Part #5 x 1pc

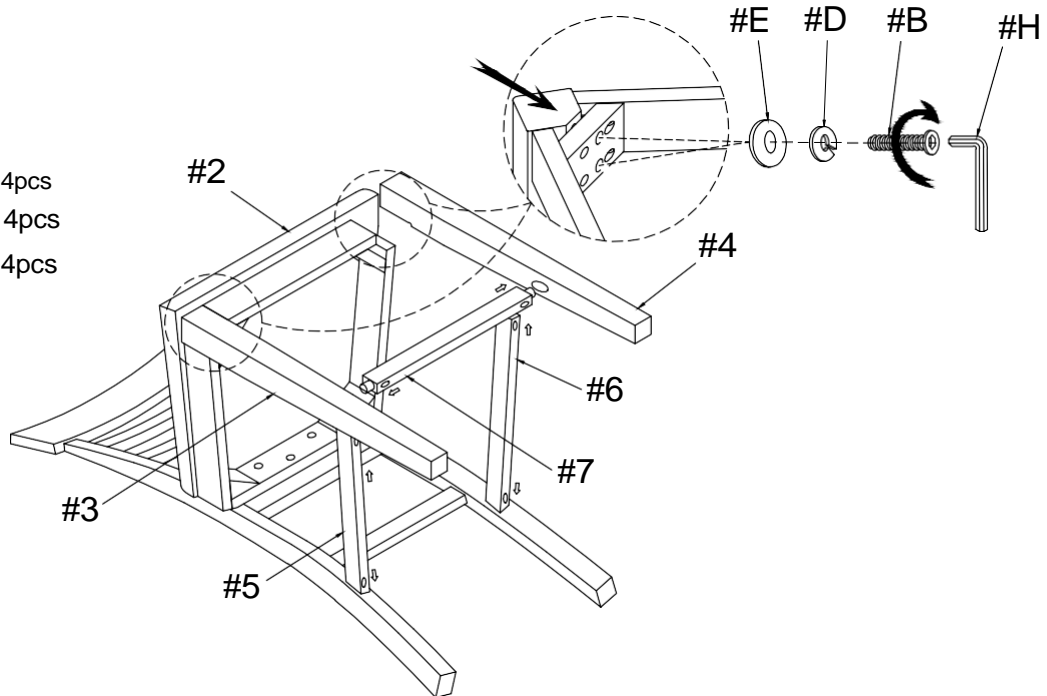
Part #6 x 1pc

Part #7 x 1pc

Hardware #B x 4pcs

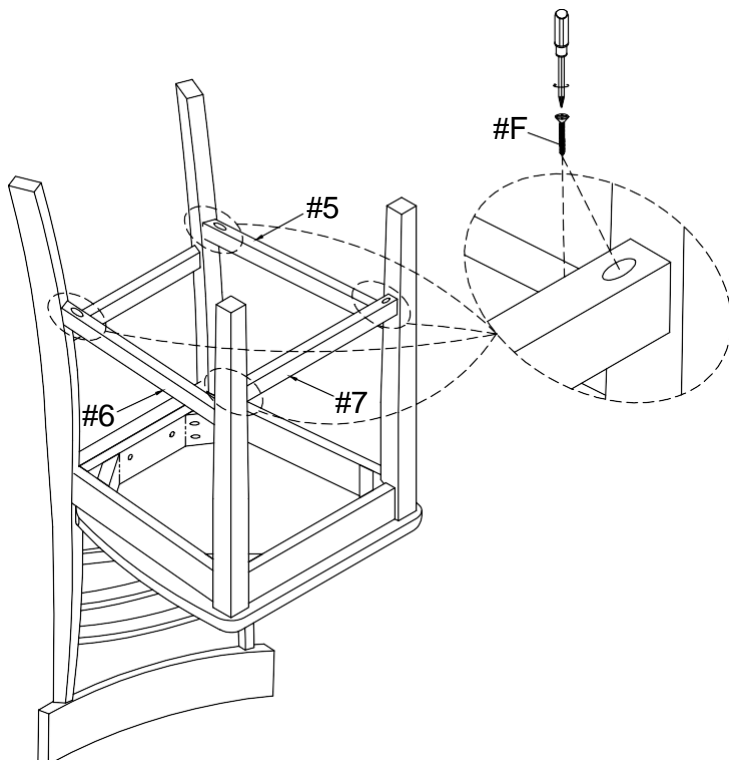
Hardware #D x 4pcs

Hardware #E x 4pcs



4

Hardware #F x 6pcs



ASSEMBLY COMPLETED



Please ensure the furniture rests on an even and flat surface. If the product wobbles or feels loose, double-check all bolts and/or screws are properly tightened and secured.



Keep this handy!

Please retain this instruction manual and any order-related information for future reference.



Lift, don't drag!

To avoid damage to product please always LIFT the product when transporting or adjusting the placement.