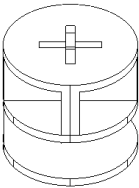


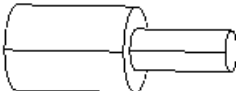

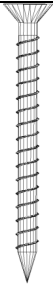
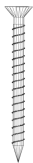


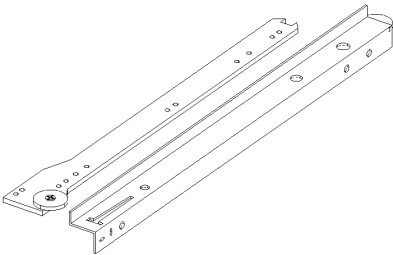
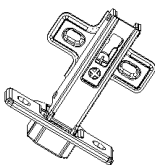
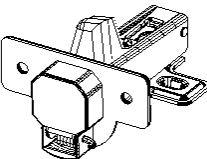
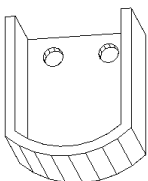
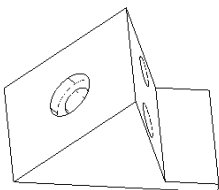


**Evu Home**  
FURNITURE & DECOR

## INSTALLATION AND ASSEMBLY GUIDE

### A LIST OF MATERIALS

A	B	C	D	E	F	G
						

H	I	J	K	L
				

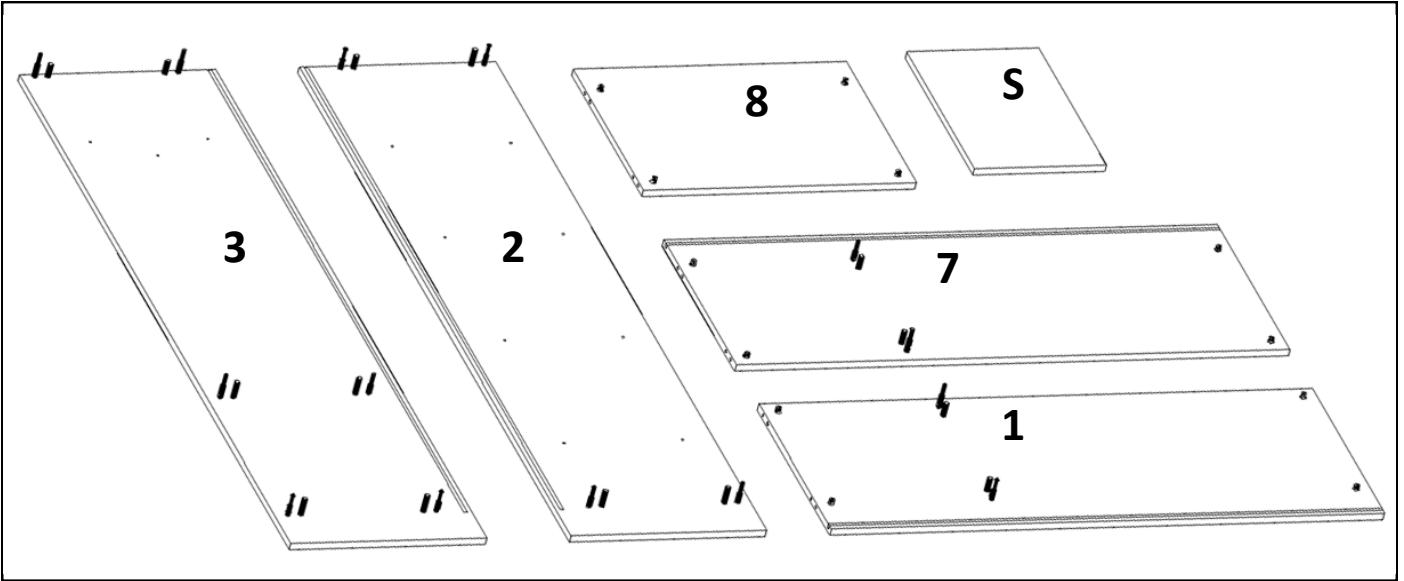
PIECES	QUANTITY
<b>A:MINIFIX BODY</b>	24
<b>B:MINIFIX SCREW</b>	24
<b>C:DOWEL</b>	24
<b>D:SHELF PIN</b>	20
<b>E: 3,5*17 SCREW</b>	56
<b>F:3,5*50 SCREW</b>	6
<b>G:SCREW 30</b>	6

PIECES	QUANTITY
<b>H:RAIL SET 40 LI</b>	2 SET
<b>I:FLAT HINGE</b>	5
<b>J:HUMP HINGE</b>	2
<b>K:FLANGE</b>	2
<b>L:BACKREST FIXER</b>	8
<b>M:HANGER PIPE</b>	1
<b>N:HANDLE (DEPENDS ON THE MODEL)</b>	-

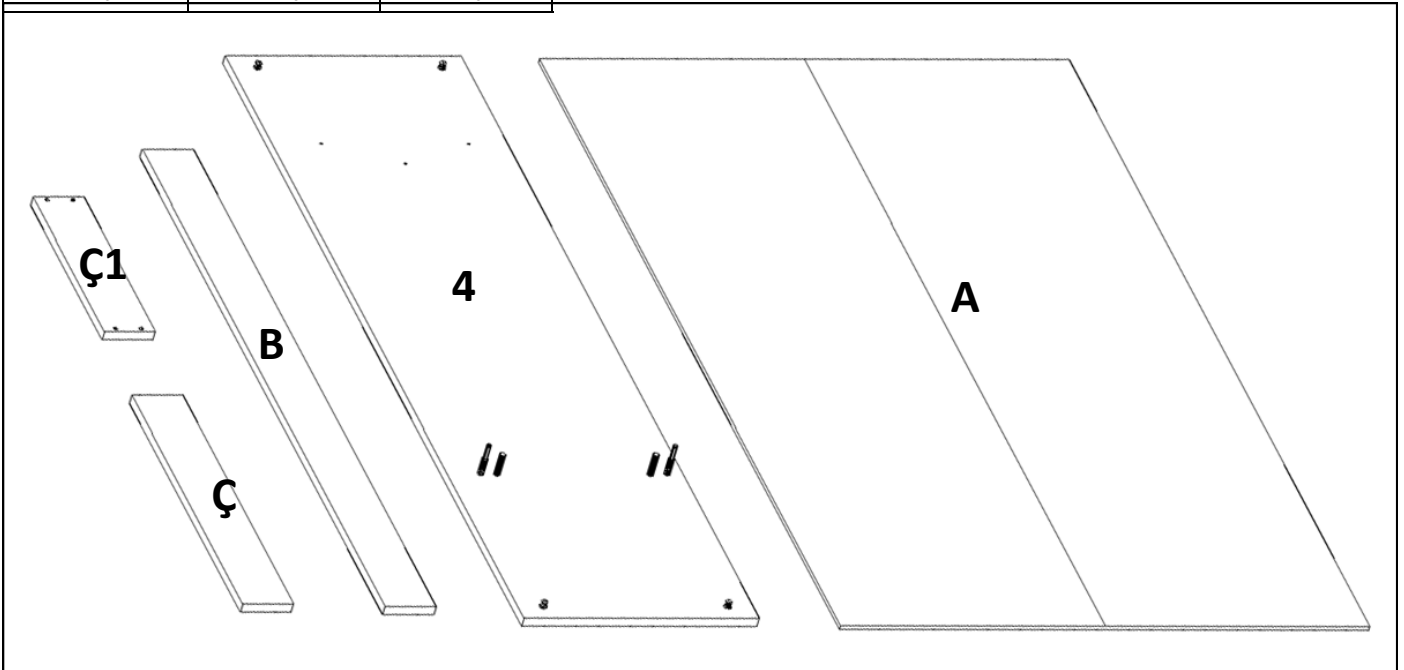
**NOTE : PLEASE HAVE AT LEAST ONE PERSON ASSISTING DURING THE ASSEMBLY.**

## evu203 - CHLOE 3 DOOR 2 DRAWER MIRRORED WHITE WARDROBE

- Before starting the assembly, take all the parts out of the box and check them according to the assembly manual.
- Before starting the assembly, clean each part with a damp cloth.
- Although the products are carefully checked and packaged, if you encounter a problem during shipping, you can check the necessary parts and contact us at the contact numbers on our website. The problem will be fixed as soon as possible free of charge.



1	2	3	4	7	8	S	B
BOTTOM TABLE	RIGHT SIDE	LEFT SIDE	MIDDLE FIXING	UPPER TABLE	FIXED SHELF	MOVING SHELF	BASE
1 PIECE	1 PIECE	1 PIECE	1 PIECE	1 PIECE	1 PIECE	4 PIECE	2 PIECE
Ç	Ç1	A					
DRAWER SPACER	DRAWER RIGHT AND LEFT	BACKREST					
4 PIECE	4 PIECE	1 PIECE					



**NOTE : PLEASE HAVE AT LEAST ONE PERSON ASSISTING DURING THE ASSEMBLY.**

# PIECES DIMENSIONS

## 184 CM CABINET

LENGTH	WIDTH	QUANTITY	EXPLANATION
1800	520	1	RIGHT SIDE (2)
1800	520	1	LEFT SIDE (3)
1018	520	1	BOTTOM TABLE(1)
1018	520	1	UPPER TABLE(7)
1668	500	1	MIDDLE FIXING(4)
676	500	1	FIXED SHELF (8)
676	480	1	MOVING SHELF
326	480	4	MOVING SHELF
1018	100	2	BASE(B)
619	100	2	DRAWER SPACER
400	100	4	DRAWER RIGHT AND LEFT SIDE

## DOORS

1698	347	1	RIGHT OUTER DOOR
1344	347	1	RIGHT MIDDLE DOOR
1344	347	1	LEFT MIDDLE DOOR
698	174	2	DRAWER FRONT COVER

## BACKREST

1682	516	2	WHITE BACKREST
633	400	2	WHITE BACKREST (FOR DRAWER)

## 210 CM CABINET

LENGTH	WIDTH	QUANTITY	EXPLANATION
2075	520	1	RIGHT SIDE (2)
2075	520	1	LEFT SIDE (3)
1018	520	1	BOTTOM TABL(1)
1018	520	1	UPPER TABLE(7)
1943	500	1	MIDDLE FIXING(4)
676	500	1	FIXED SHELF (8)
676	480	1	MOVING SHELF
326	480	4	MOVING SHELF
1018	100	2	BASE(B)
619	100	2	DRAWER SPACER
400	100	4	DRAWER RIGHT AND LEFT SIDE

## DOORS

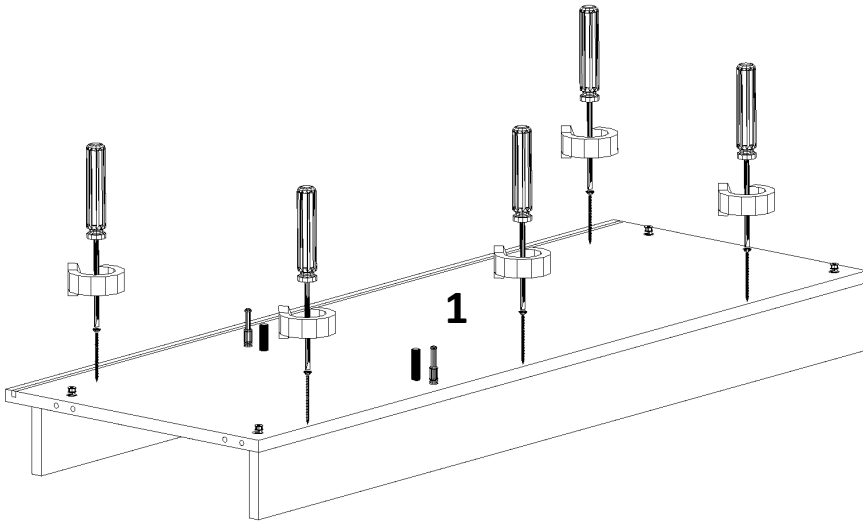
1973	347	1	RIGHT OUTER DOOR
1619	347	1	RIGHT MIDDLE DOOR
1619	347	1	LEFT MIDDLE DOOR
698	174	2	DRAWER FRONT COVER

## BACKREST

1957	516	2	WHITE BACKREST
633	400	2	WHITE BACKREST (FOR DRAWER)

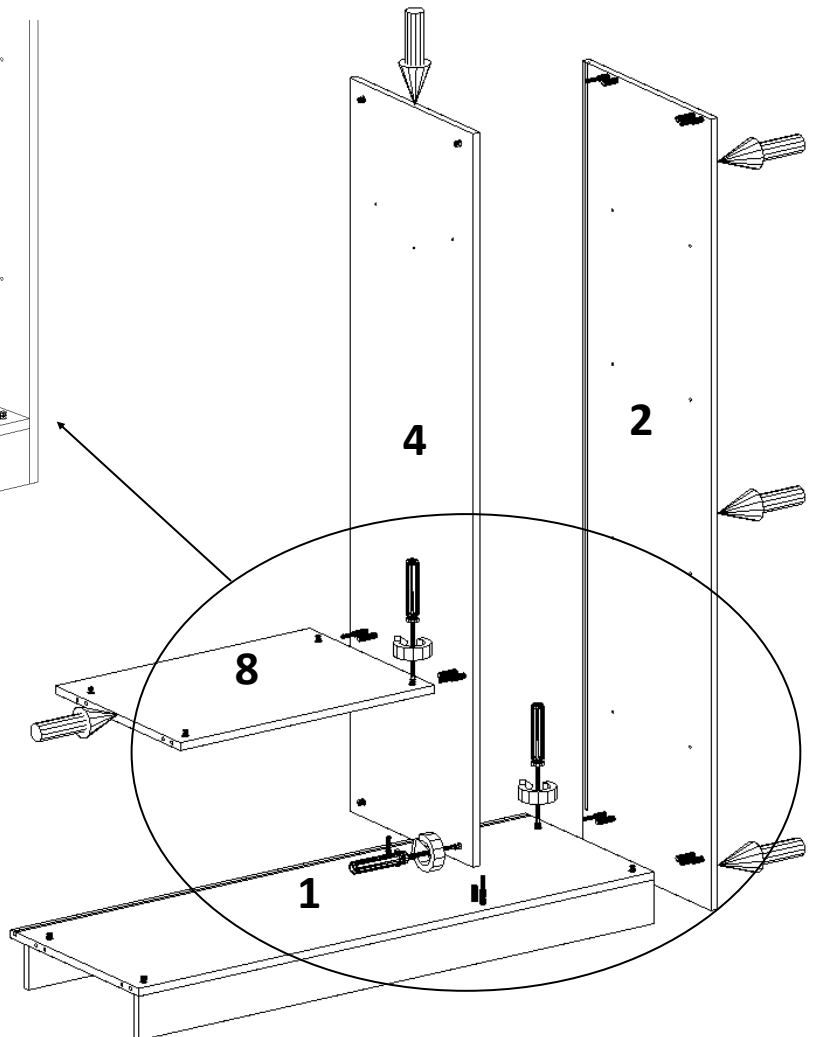
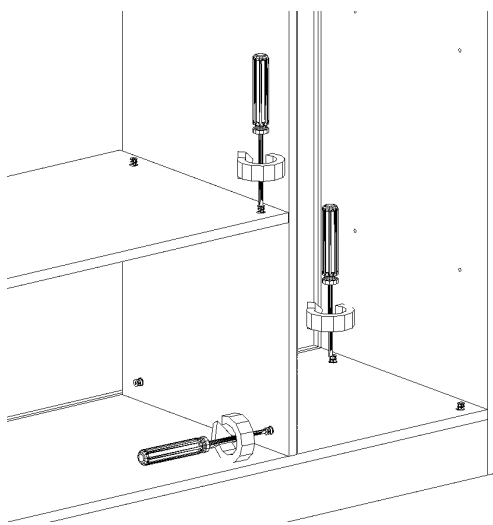
**NOTE : PLEASE HAVE AT LEAST ONE PERSON ASSISTING DURING THE ASSEMBLY.**

Start the wardrobe installation by fixing the BASES as shown in figure 1. Fix the BASES with 3.5\*50 screws with the help of a cordless drill.



1

After creating the the Bottom table with BASES , place the right side on the minifix Screw and dowels as in figure 2 and tighten the minifix screws. As the 2nd step, fix the middle fixing and finally the fixed shelf.

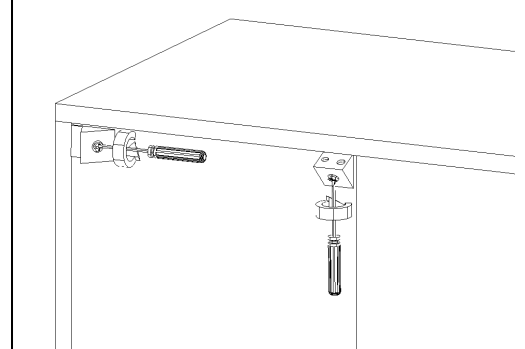
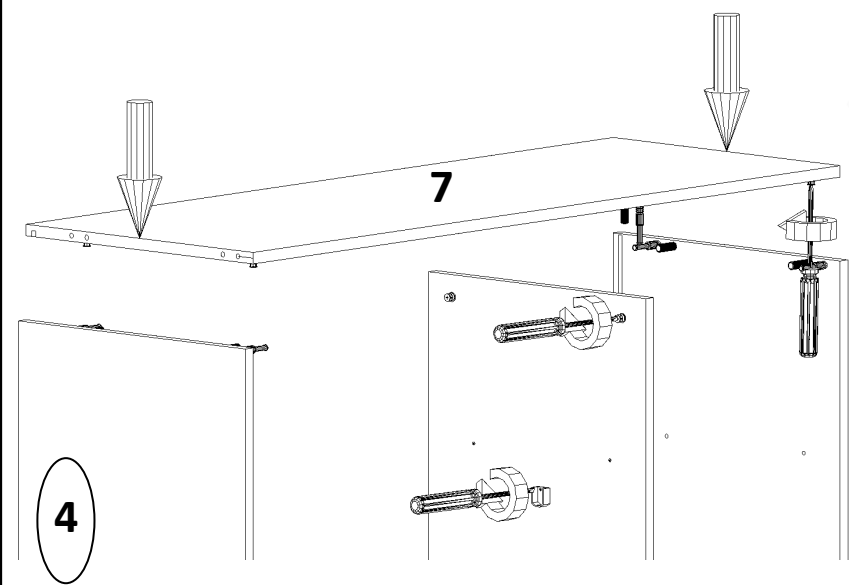
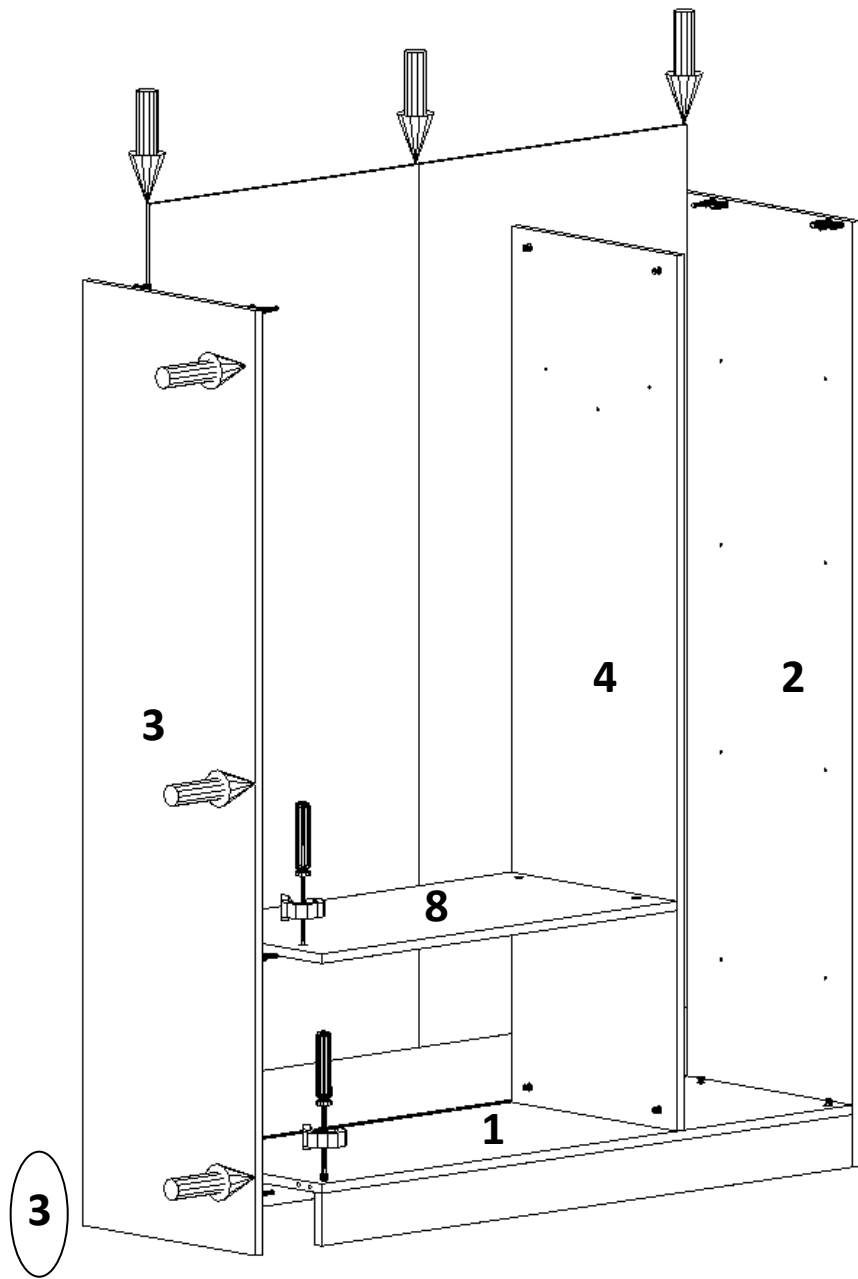


2

NOTE : PLEASE HAVE AT LEAST ONE PERSON ASSISTING DURING THE ASSEMBLY.

Place the left side of the wardrobe on the minifix screws and dowels as in figure 3 and tighten the minifix screws. Then insert the back rest into the channel. After this process, place and fix the upper plate of the wardrobe as in figure 4.

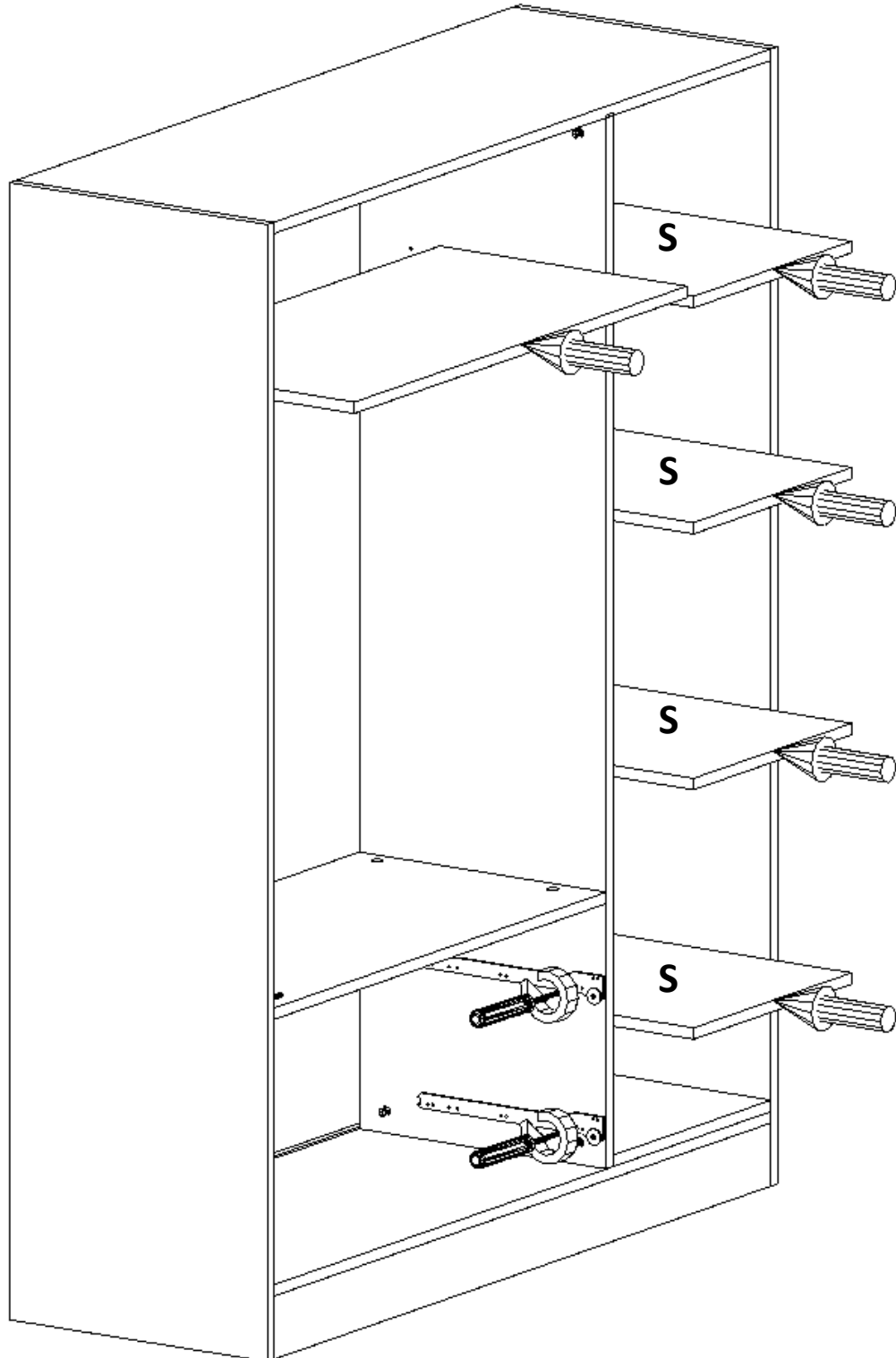
Fix the hanger pipe flanges through the holes determined with 3.5x17 screws.



The body of the wardrobe is complete. After this process, fix the backrest fixer with 3.5x17 screws.

**NOTE : PLEASE HAVE AT LEAST ONE PERSON ASSISTING DURING THE ASSEMBLY.**

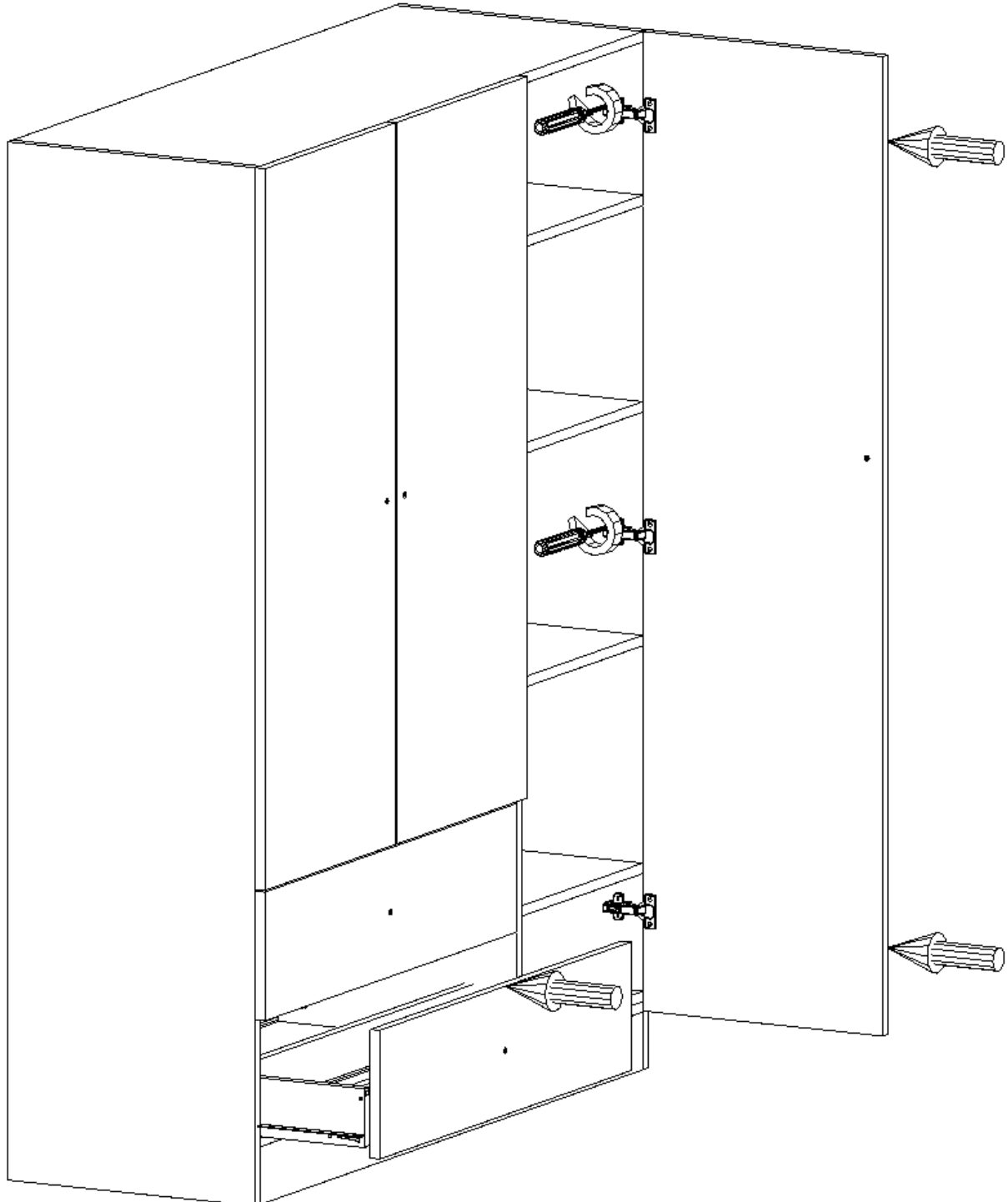
Insert the shelf pins of the wardrobe. Then place the movable shelves. And then install the drawer rails.



5

**NOTE : PLEASE HAVE AT LEAST ONE PERSON ASSISTING DURING THE ASSEMBLY.**

**Attach the door of our wardrobe as in figure 6 and fix it through the determined screw holes. There are two types of hinge groups. Attach the hump hinges (curved ) to the middle door . Attach flat hinges to other doors.**

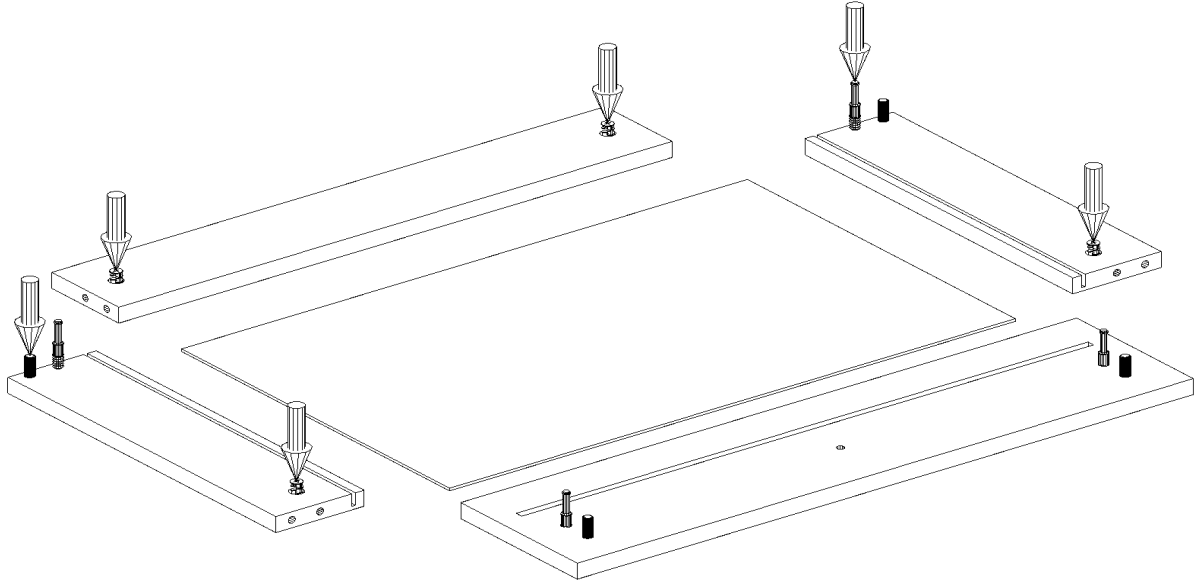
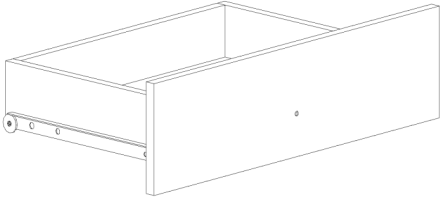


**Align the drawer cover of the wardrobe to the bottom plate. And fix it to the drawer case with 3.5x50 screws from the handle holes. Then fix the drawer cover with 3,5x30 screws from inside the drawer case. And then unscrew the 3,5x50 screws and attach the handles. Repeat the same process for the upper drawer.**

**NOTE : PLEASE HAVE AT LEAST ONE PERSON ASSISTING DURING THE ASSEMBLY.**

## DRAWER CASE INSTALLATION

Before starting the drawer case installation, place the furniture materials as in figure 1. Place the chipboard panels on the minifix screws and dowels as in figure 2 and fix the minifix screws. Insert the backrest into the channel. Then place the drawer cover on the minifix screw and dowels as in figure 4. and fix the minifix screws. Turn the case we created upside down 180 degrees and fix the drawer rail with a 3.5x17 screw with the help of a cordless drill as in the figure.



1

2

3

4

5

**NOTE : PLEASE HAVE AT LEAST ONE PERSON ASSISTING DURING THE ASSEMBLY.**



# Evu Home

F U R N I T U R E & D E C O R

If you require assistance with any of our products please send an email to [order@evuhome.com](mailto:order@evuhome.com)

**Homeaglobe Ltd.**

**[www.evuhome.com](http://www.evuhome.com)**

**Registered: 4 Edgecot Grove, Tottenham,  
London, England, N15 5HD**

**Warehouse: Unit 4a Tower Road Business  
Park, Redearth Road, Darwen, BB3 2DU, UK**

**Tel. 08000016019**