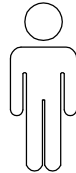
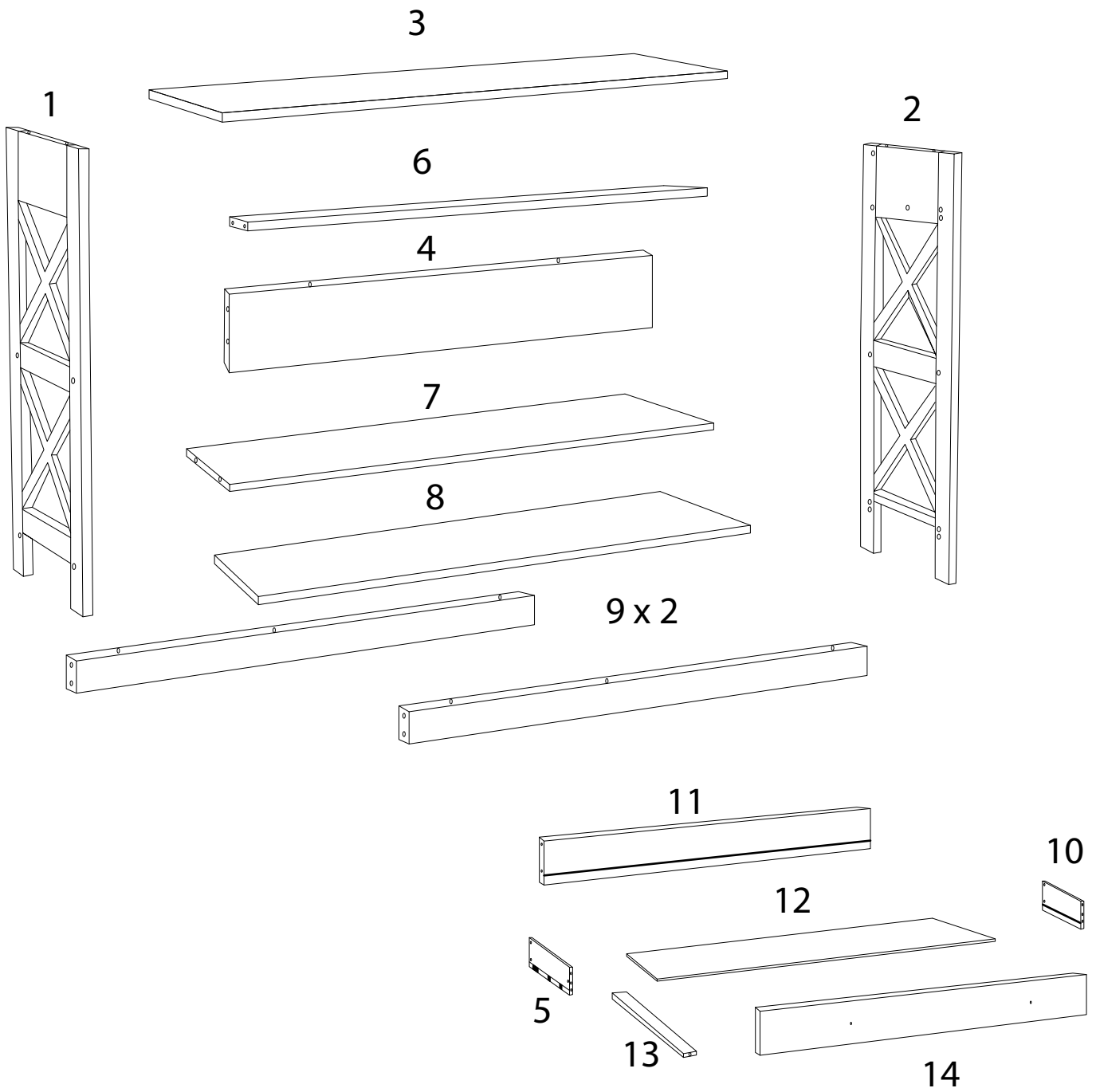
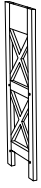
	<p>40'</p>
		
		<p>1</p>



1



x 1

2



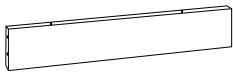
x 1

3



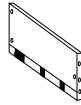
x 1

4



x 1

5



x 1

6



x 1

7



x 1

8



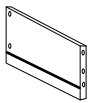
x 1

9



x 2

10



x 1

11



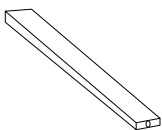
x 1

12



x 1

13



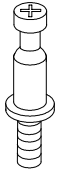
x 1

14



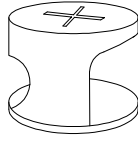
x 1

A



x 17

B



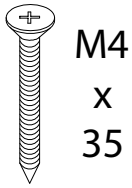
x 17

C



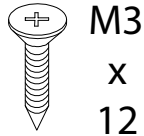
x 4

D



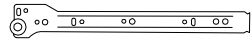
x 13

E



x 4

F



x 1

G



x 1

H



x 2

I



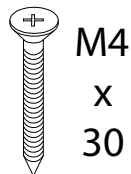
x 2

J



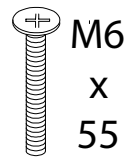
x 4

K



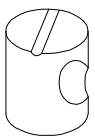
x 2

L



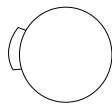
x 8

M



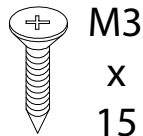
x 8

N



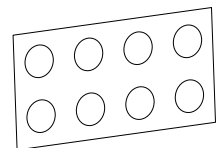
x 2

O




x 2

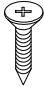
P




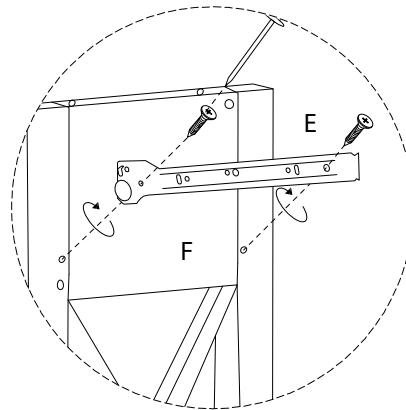
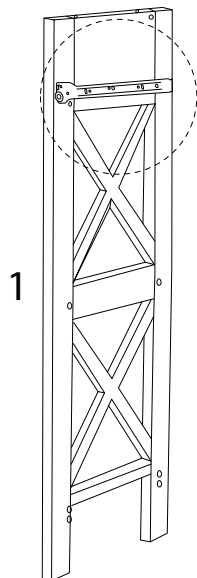
x 8

1


1

x 1

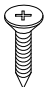
E

M3
x
12
x 2

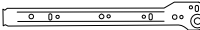
F

x 1

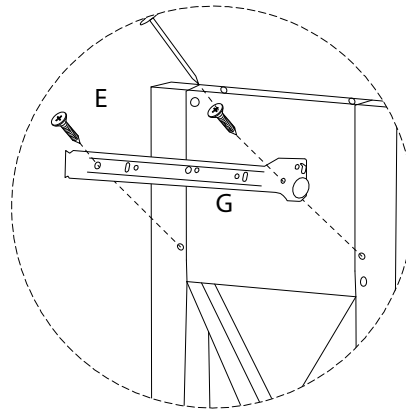
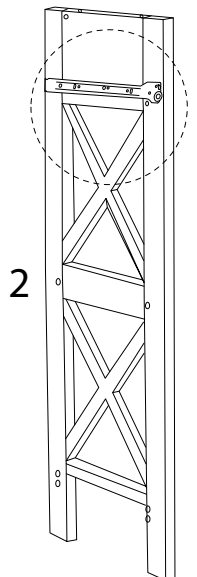


2

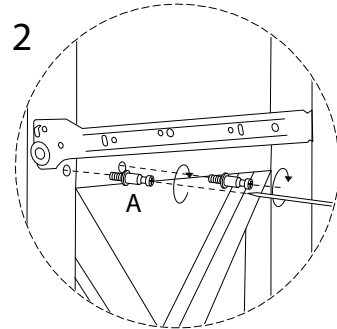
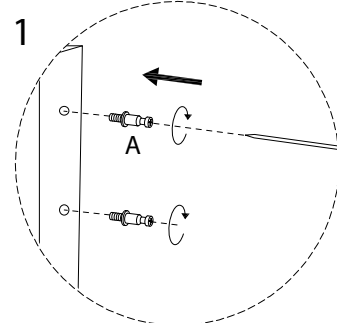
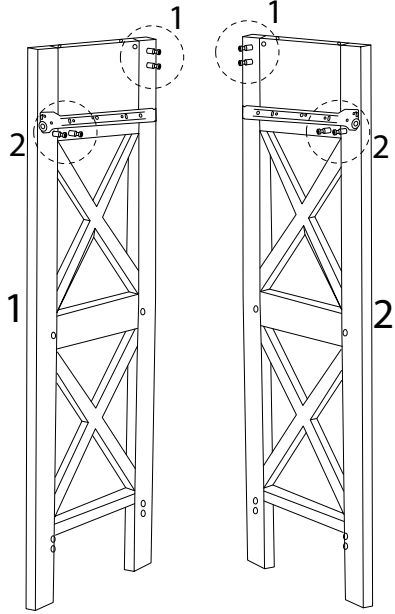
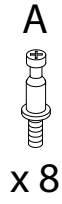
2

x 1

E

M3
x
12
x 2

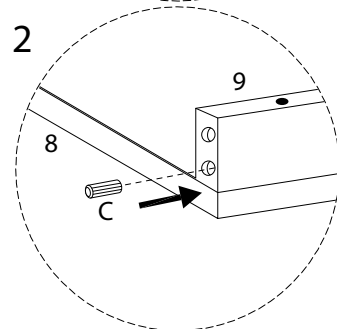
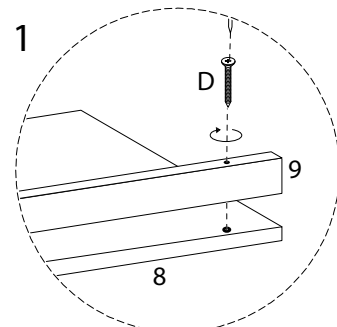
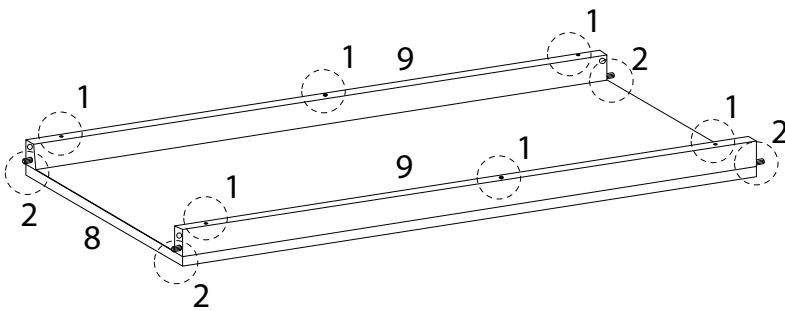
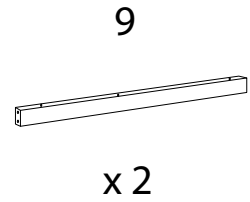
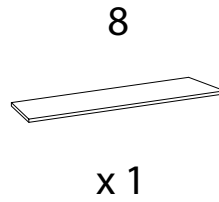
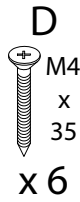
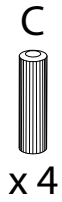
G

x 1



3



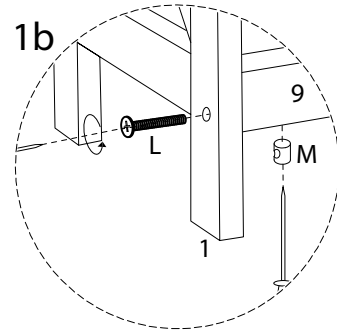
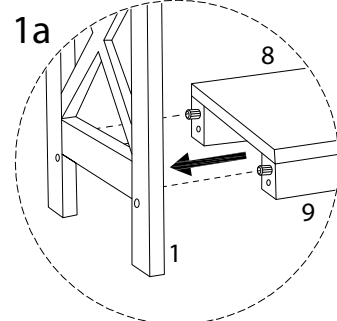
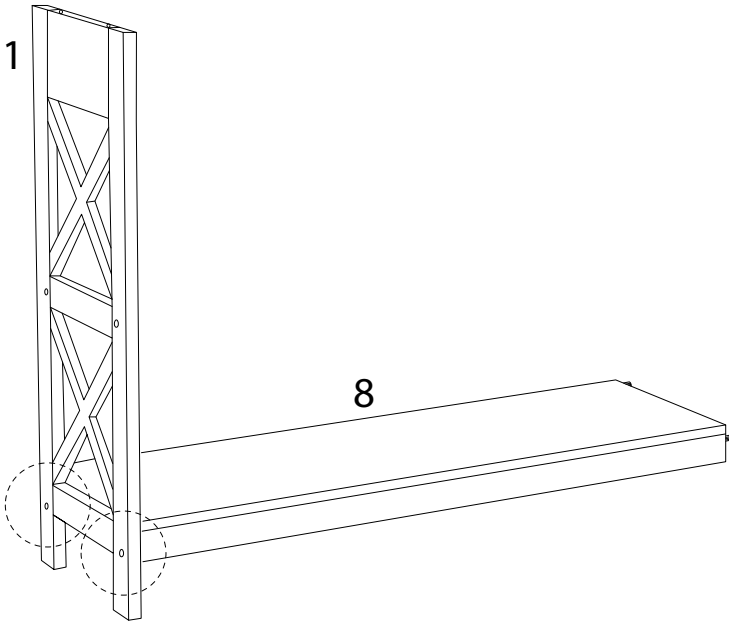
4



5

L
M6
x
55
x 2

M
x 2

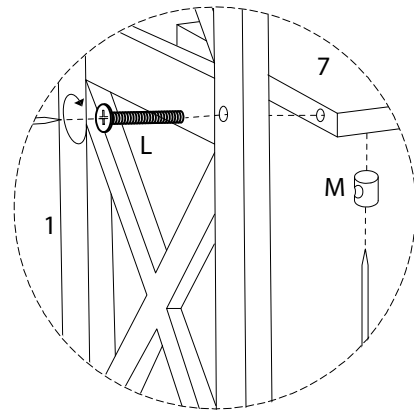
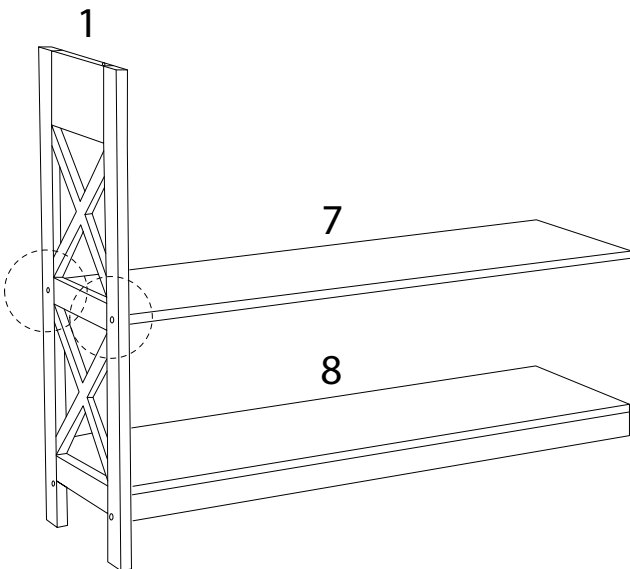


6

L
M6
x
55
x 2

M
x 2

7
x 1



7

B

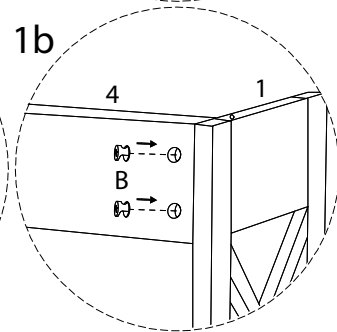
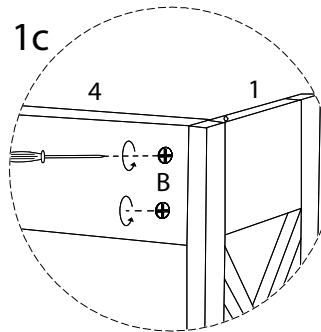
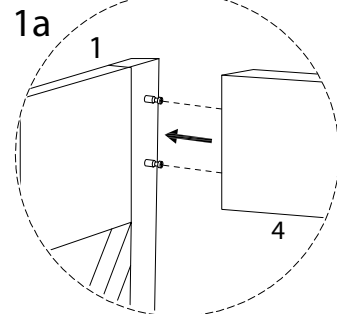
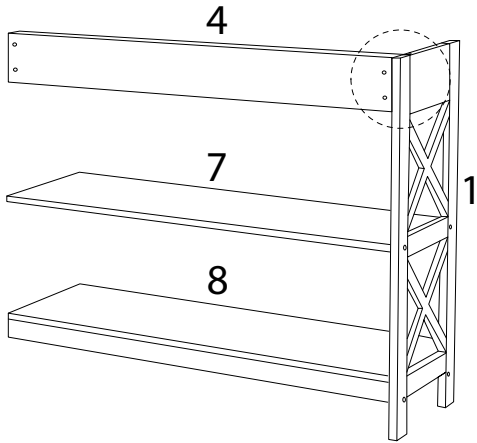


x 2

4



x 1



8

B

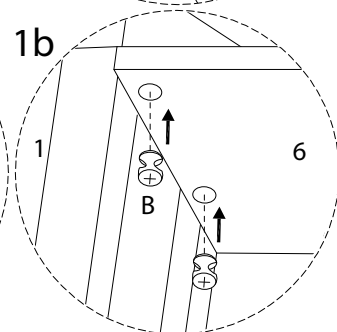
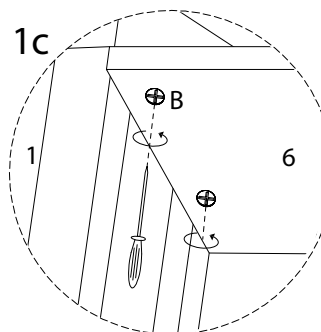
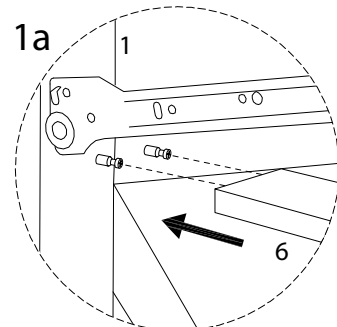
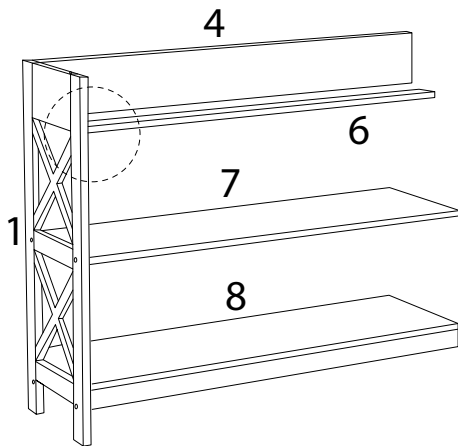


x 2

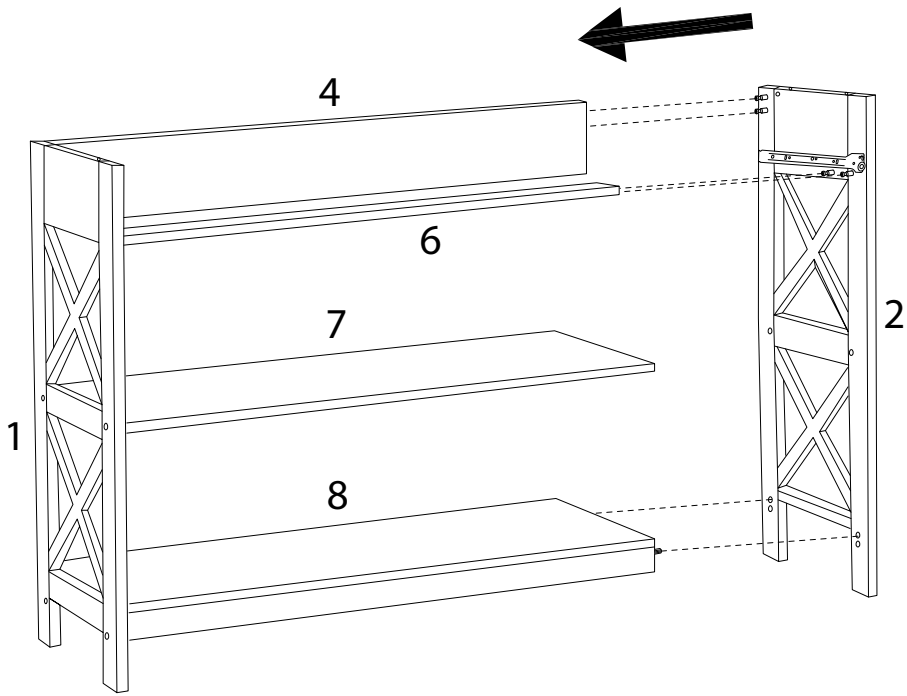
6



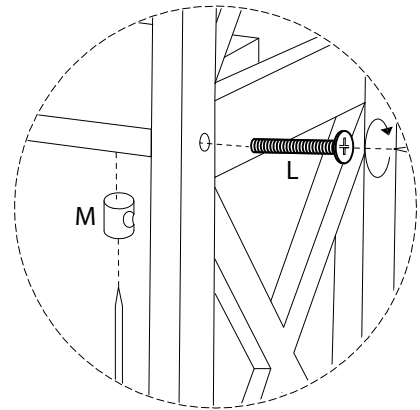
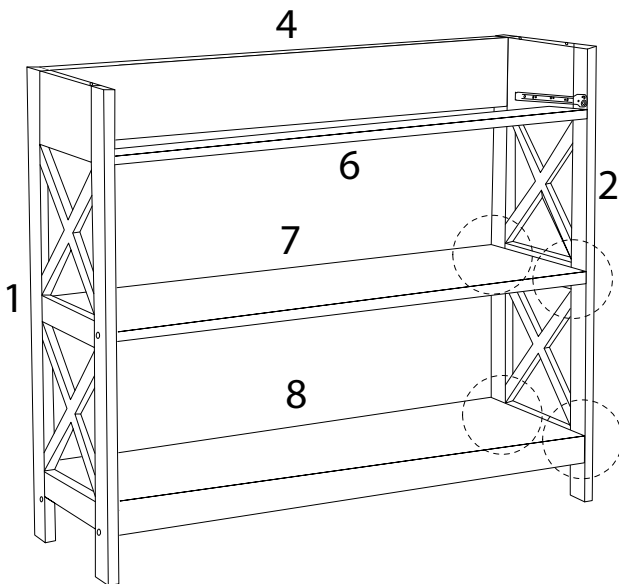
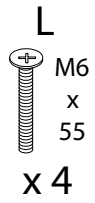
x 1



9



10

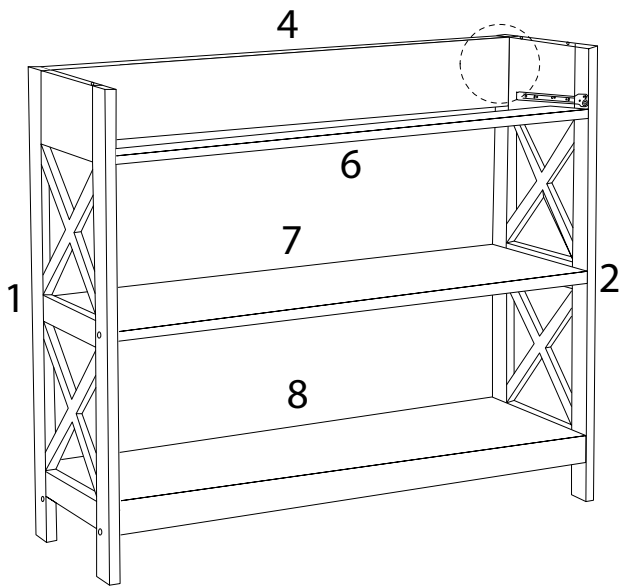


11

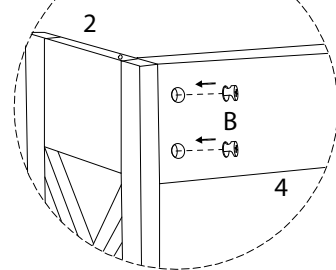
B



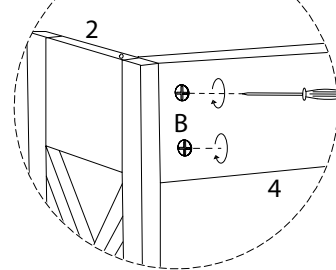
x 2



1a



1b

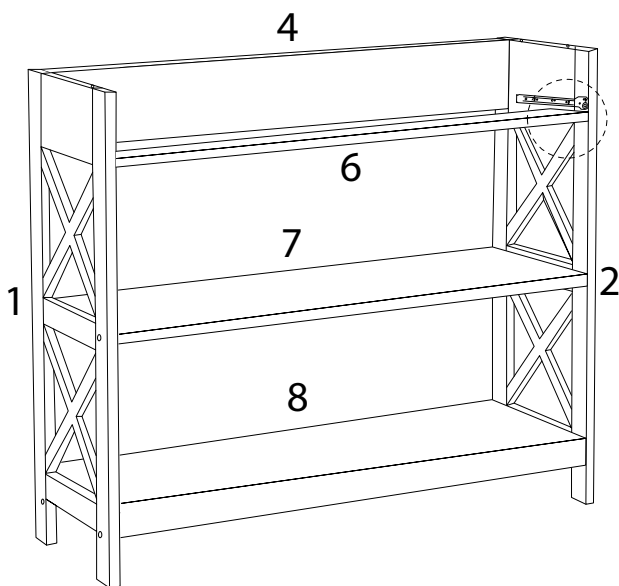


12

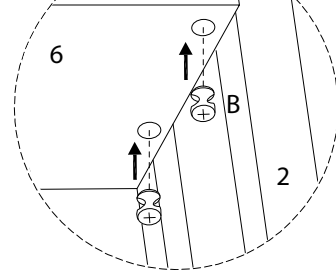
B



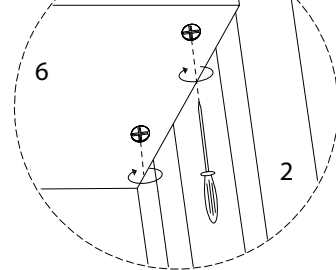
x 2



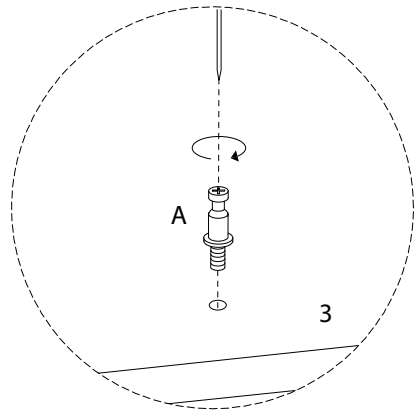
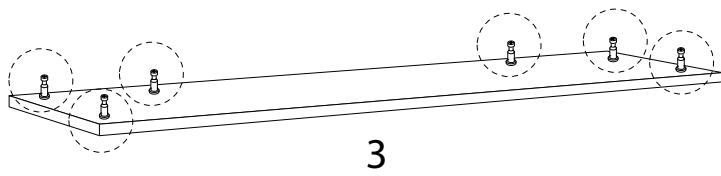
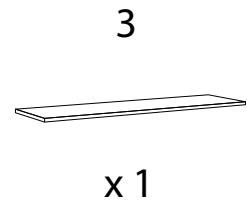
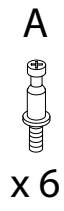
1a



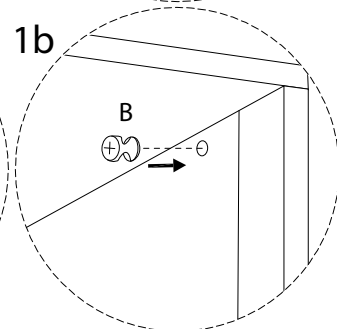
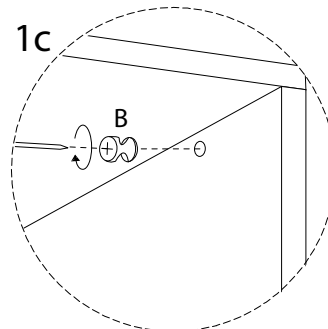
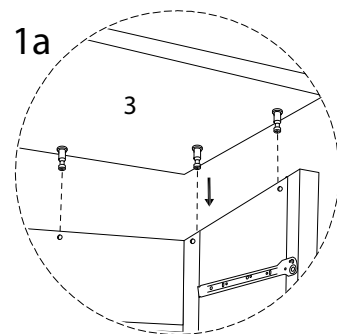
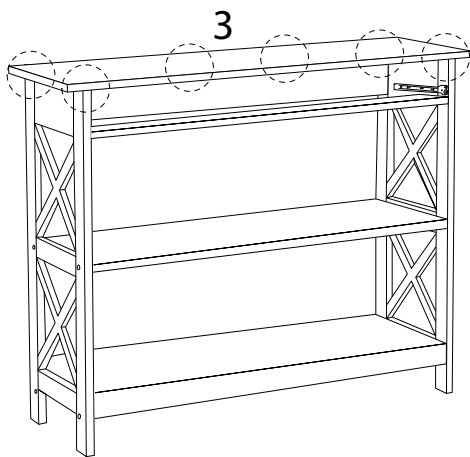
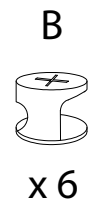
1b



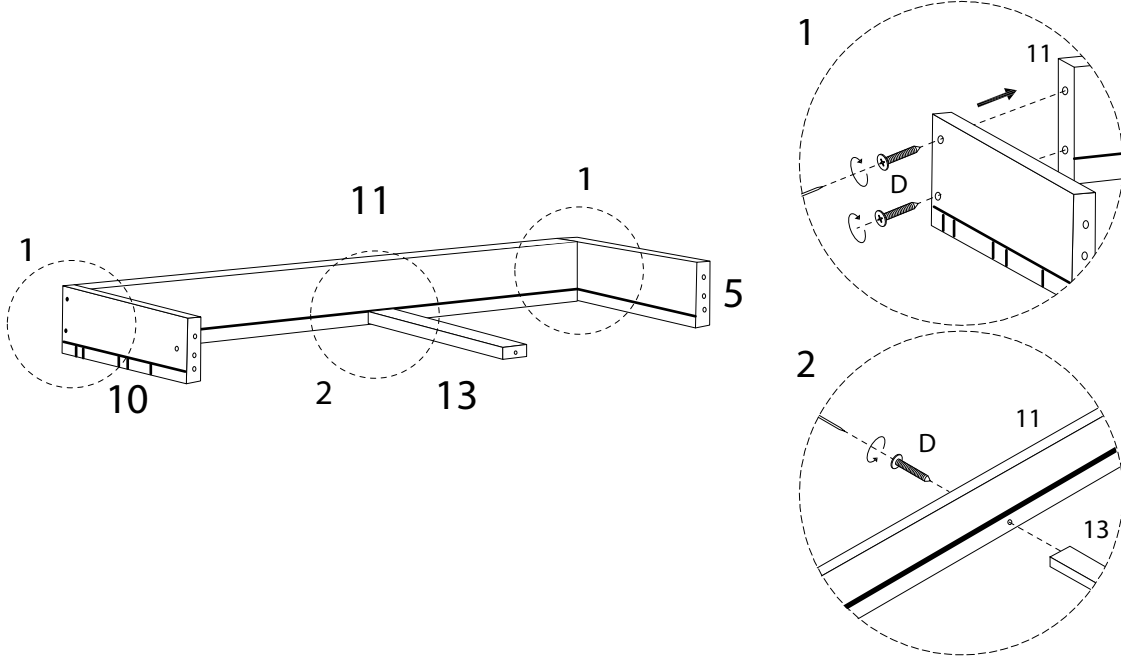
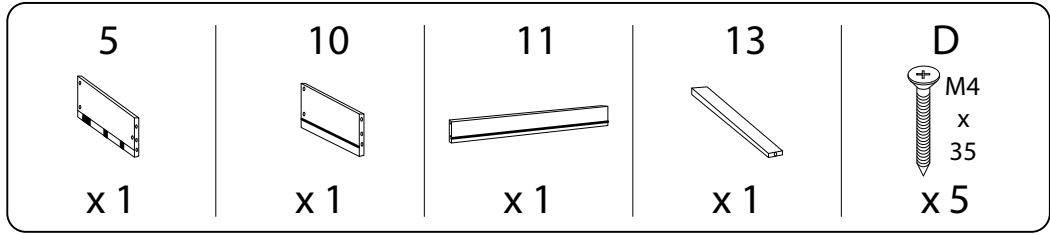
13



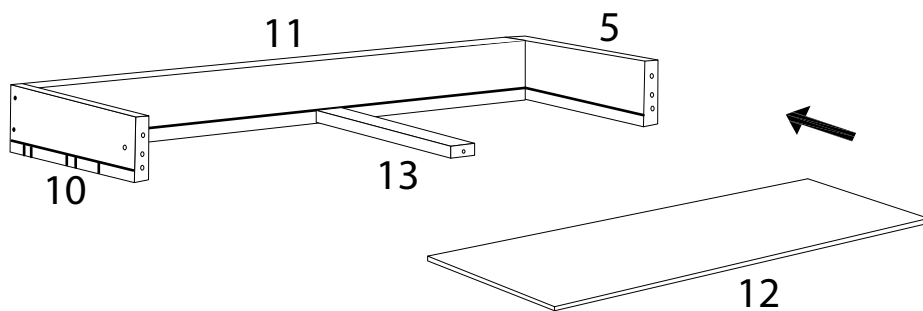
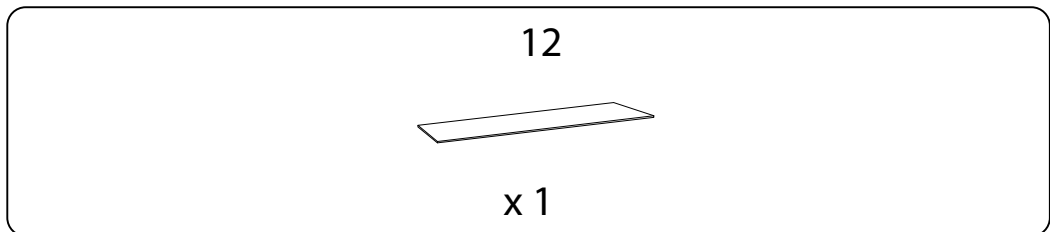
14



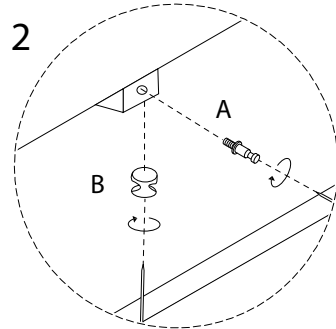
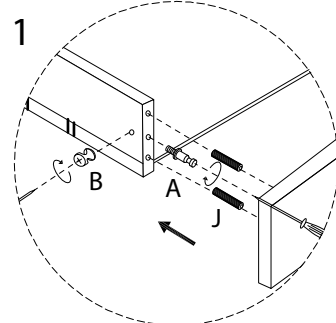
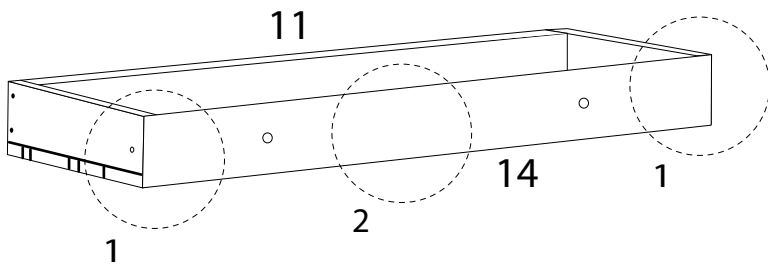
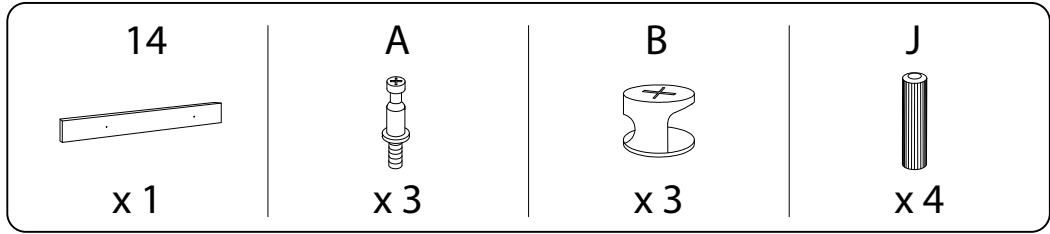
15



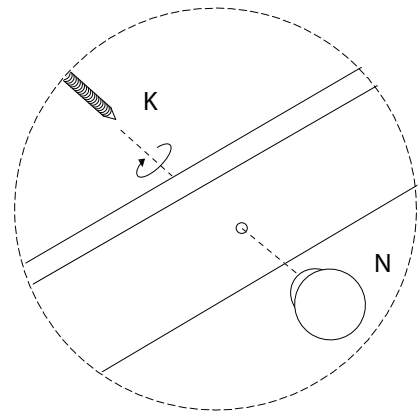
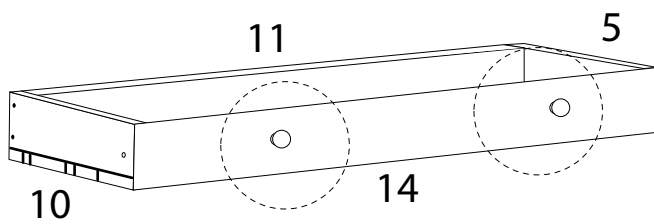
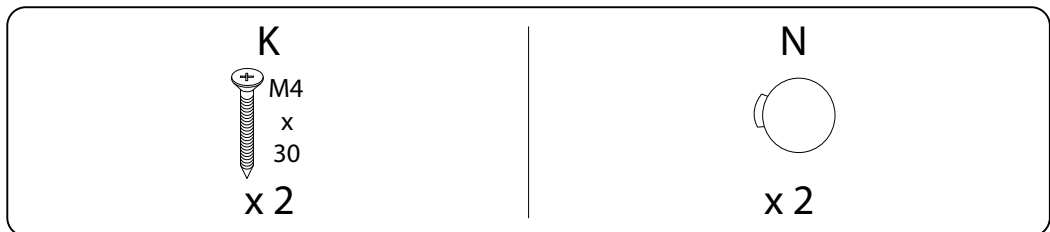
16



17

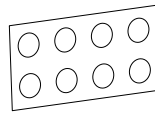


18

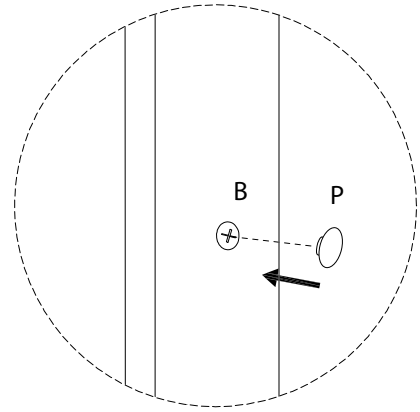
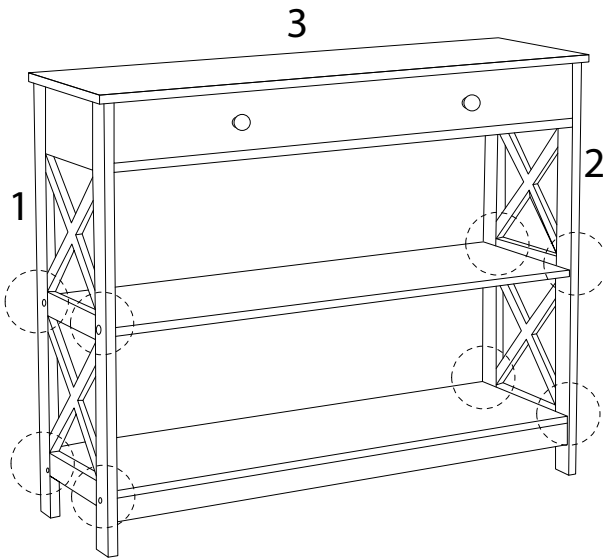


19

P

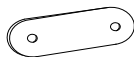


x 8



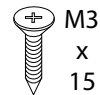
20

I

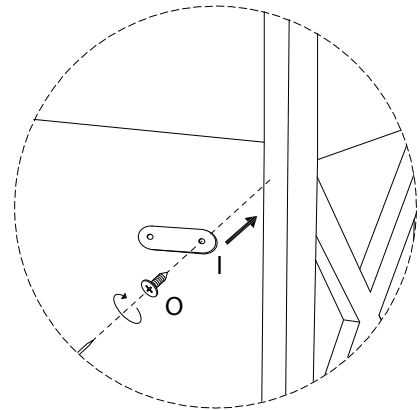
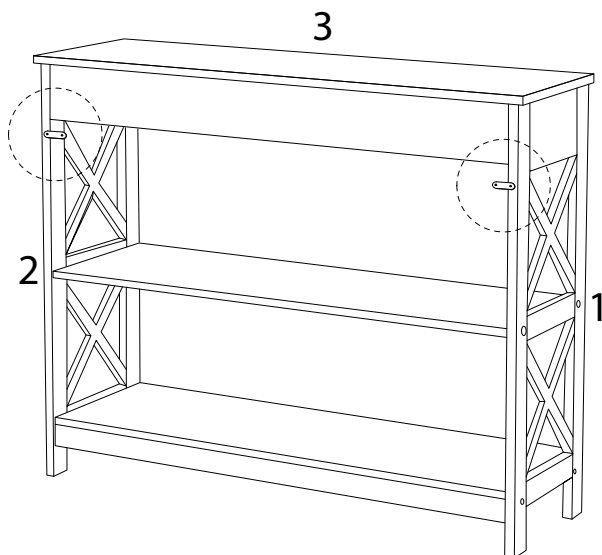


x 2

O



x 2



21

