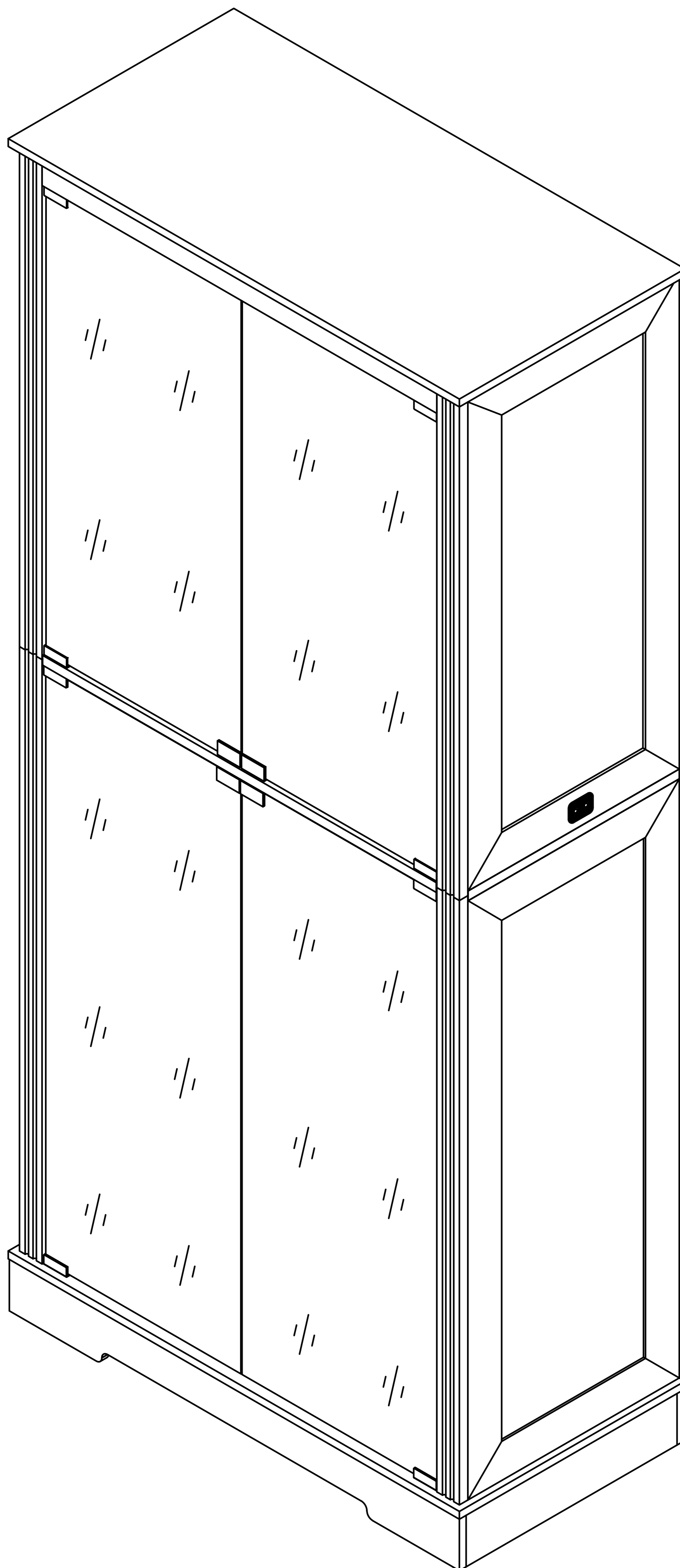
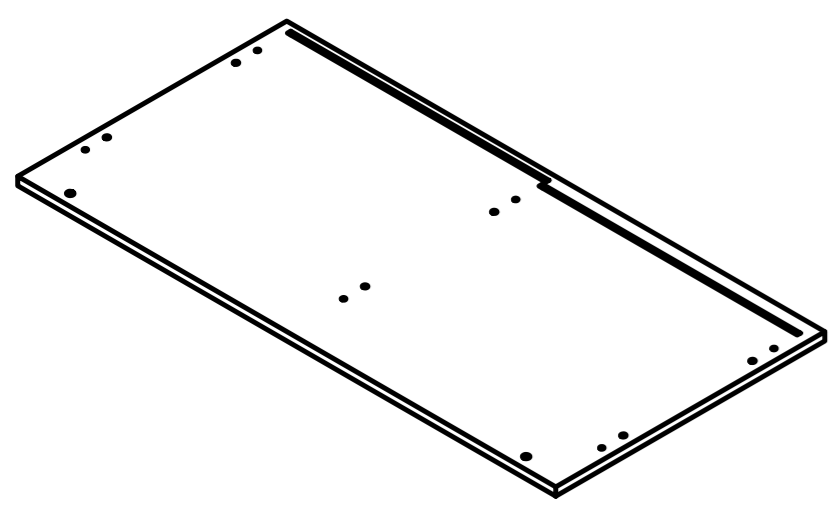
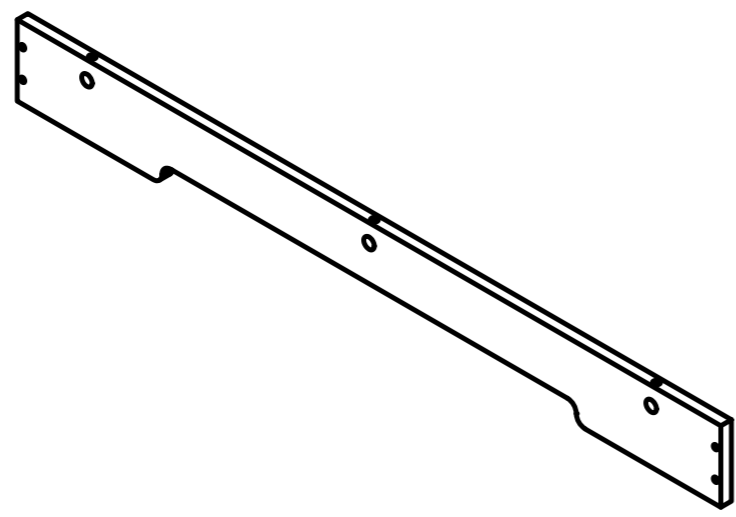


# Product Installation Instructions

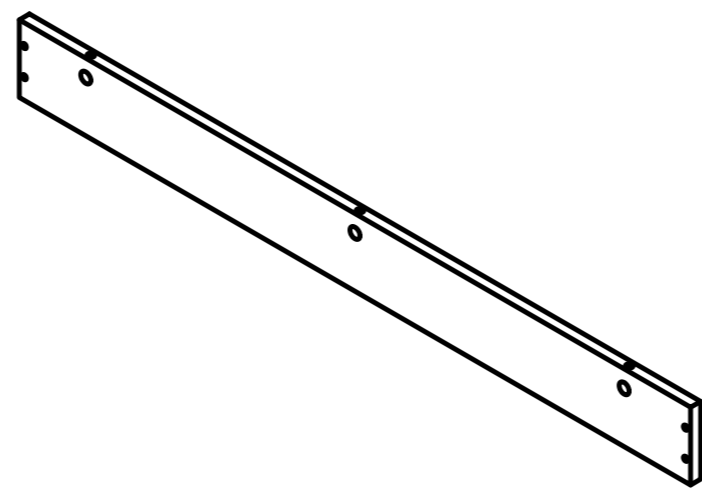




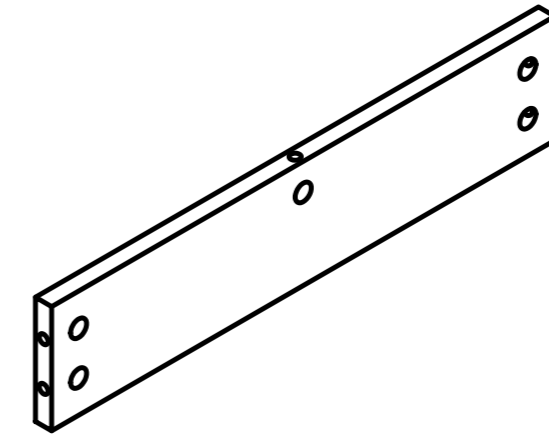
**Ax1**



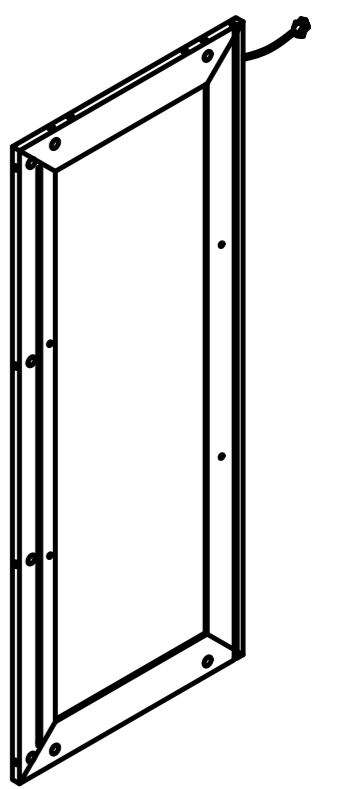
**Bx1**



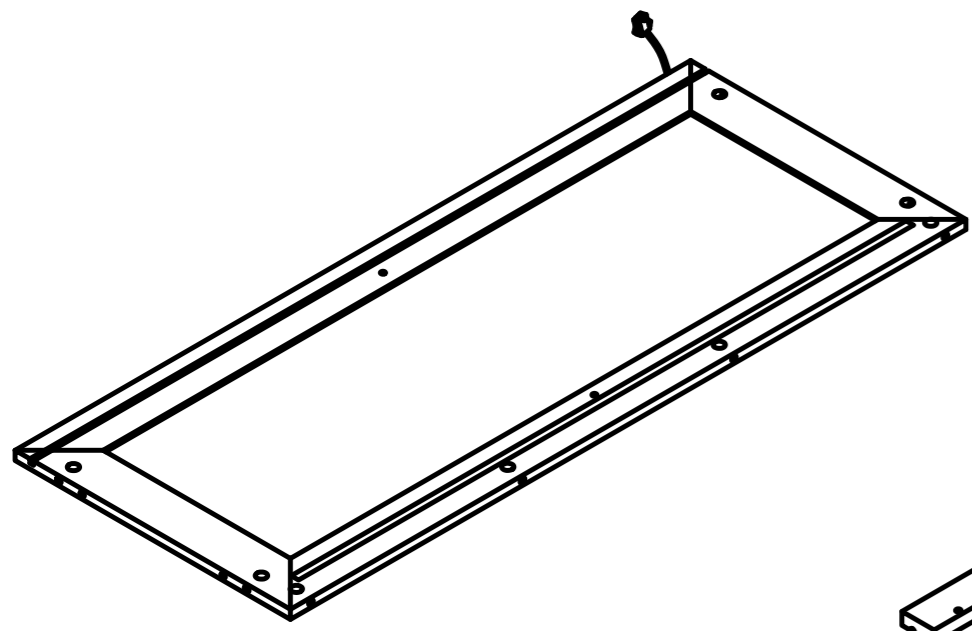
**Cx1**



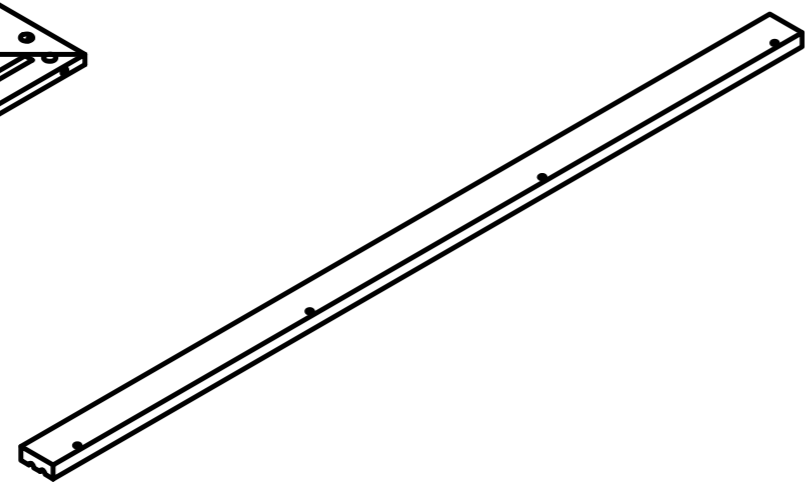
**Dx2**



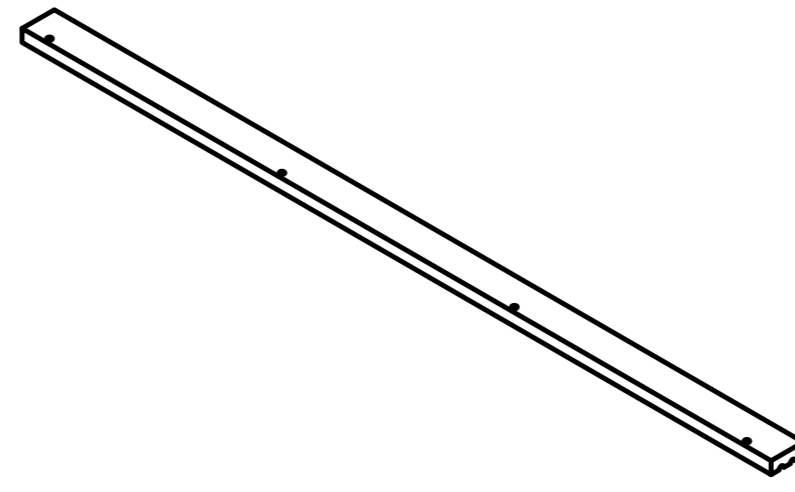
**Ex1**



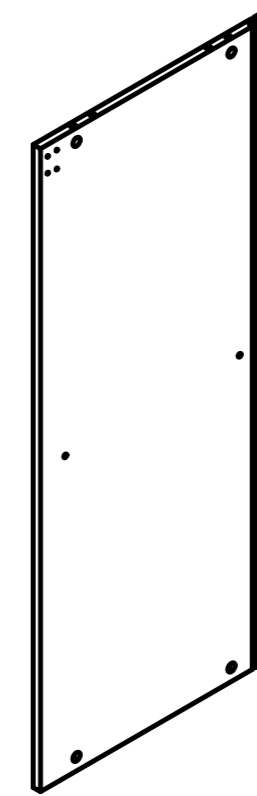
**Fx1**



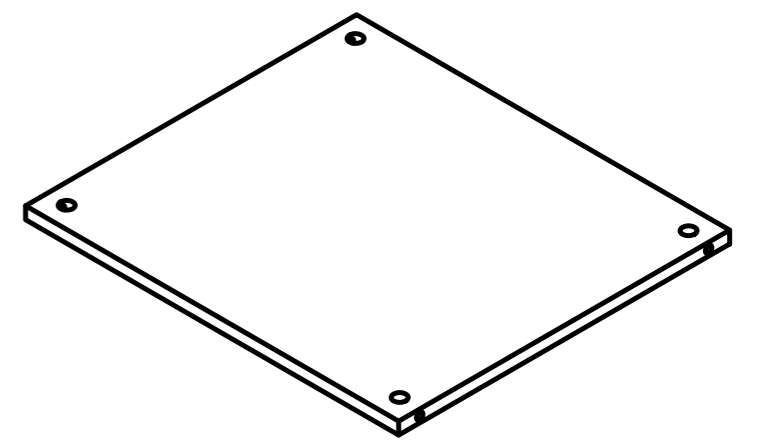
**Gx1**



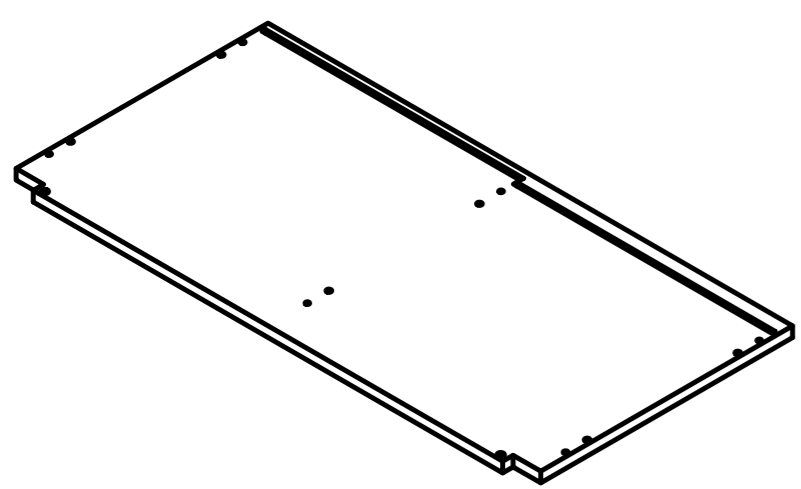
**Hx1**



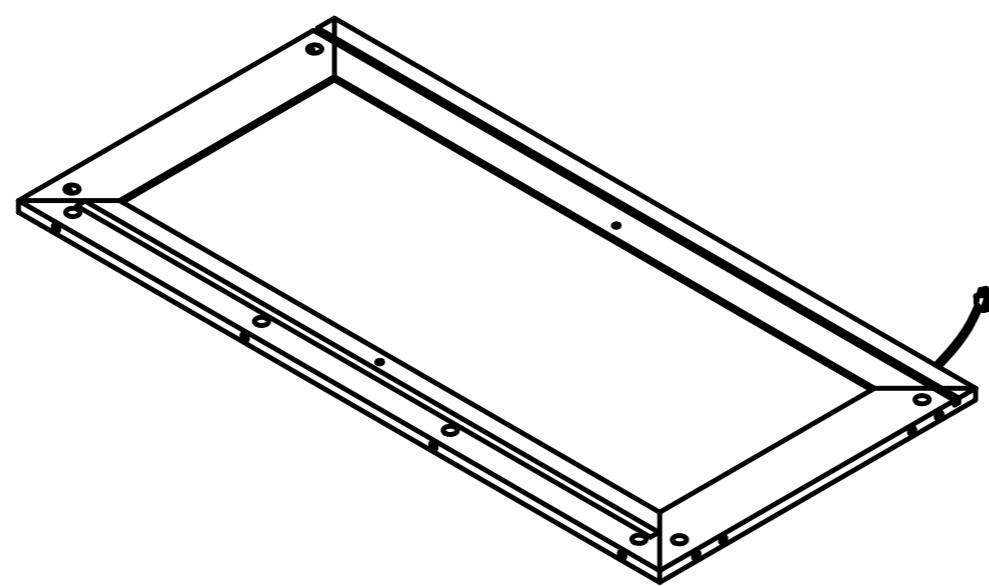
**Ix1**



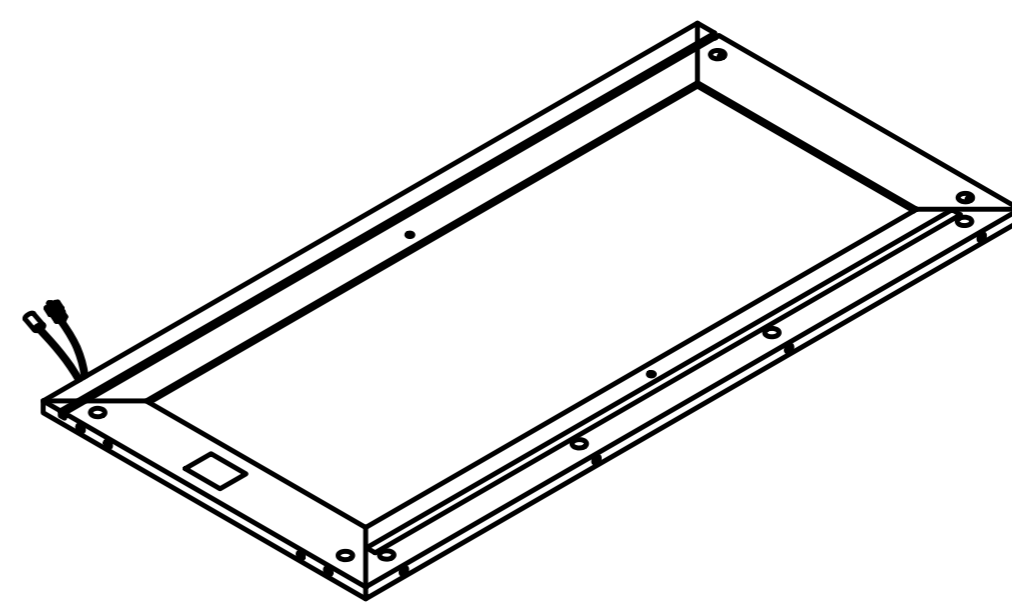
**Jx1**



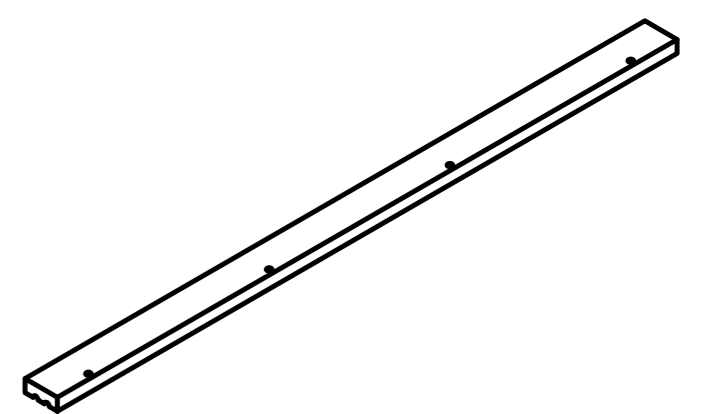
**Kx1**



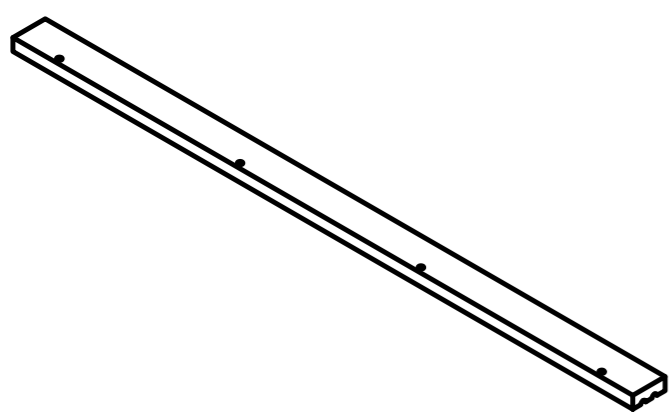
**Lx1**



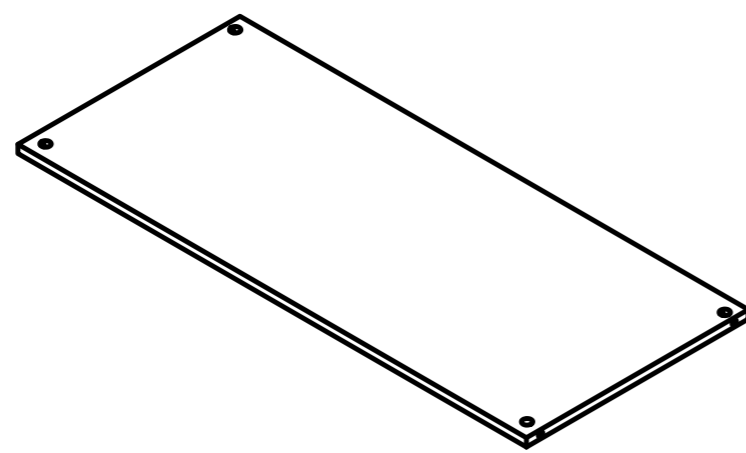
**Mx1**



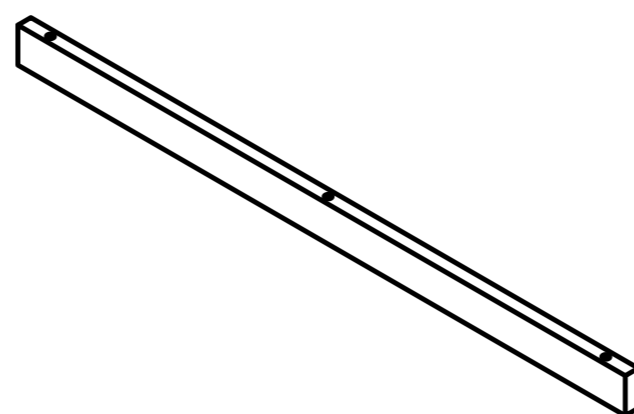
**Nx1**



**Ox1**



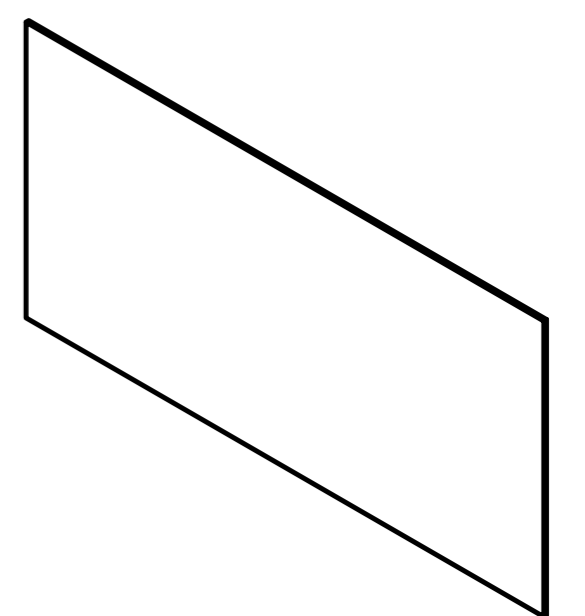
**Px1**



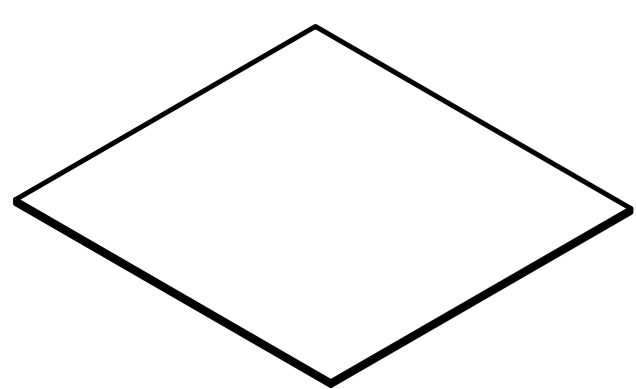
**Qx1**



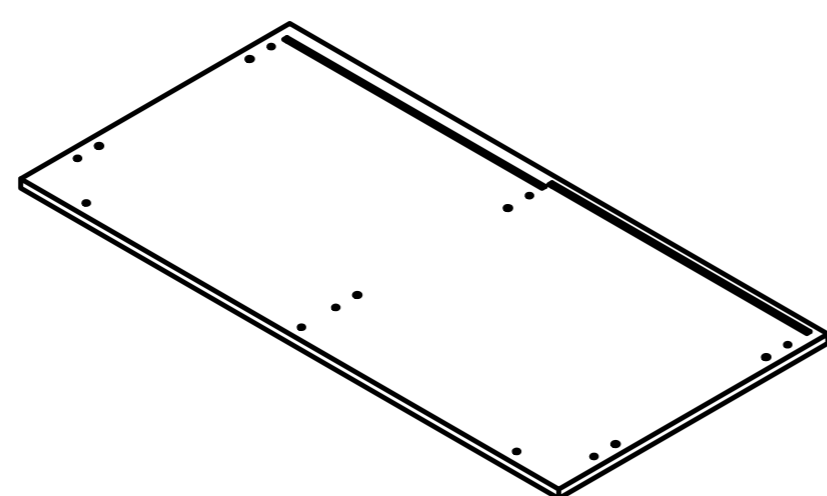
**Rx2**



**Sx2**



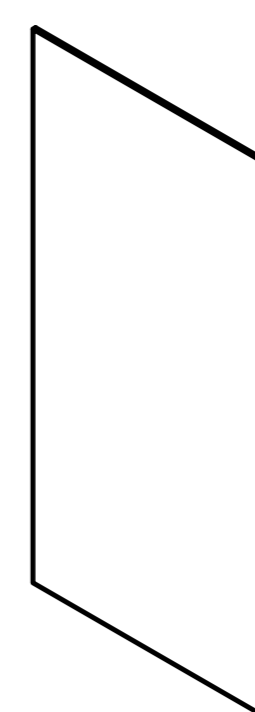
**Tx2**



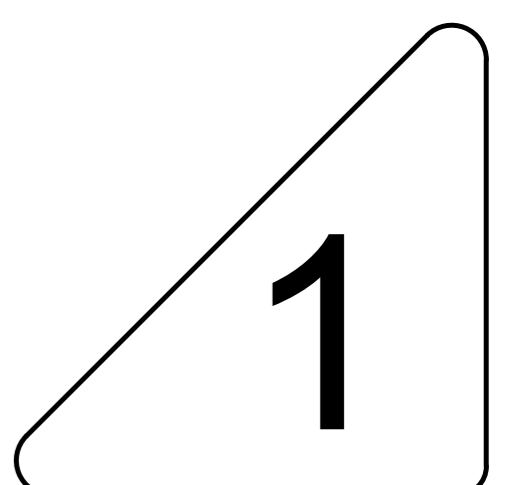
**Ux1**



**Vx2**

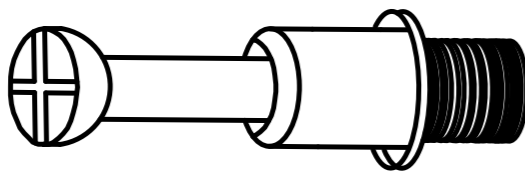
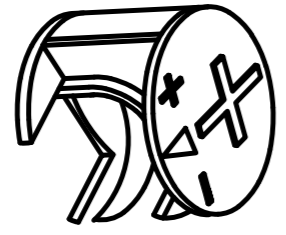


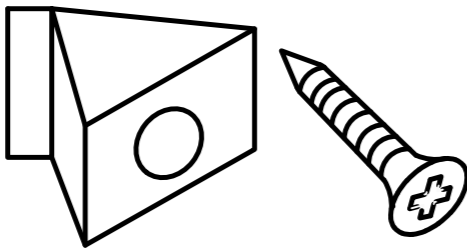
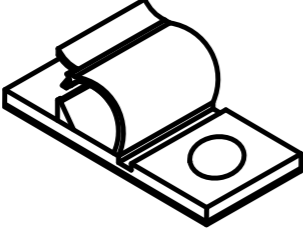
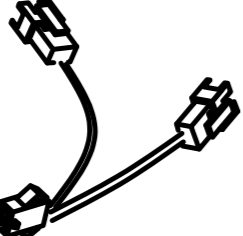
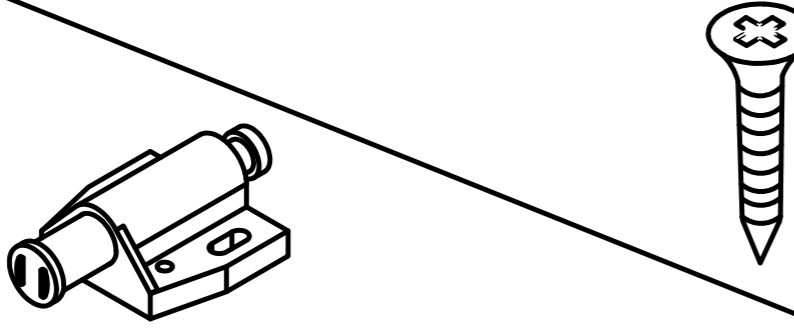
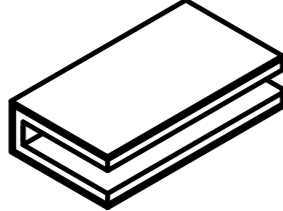
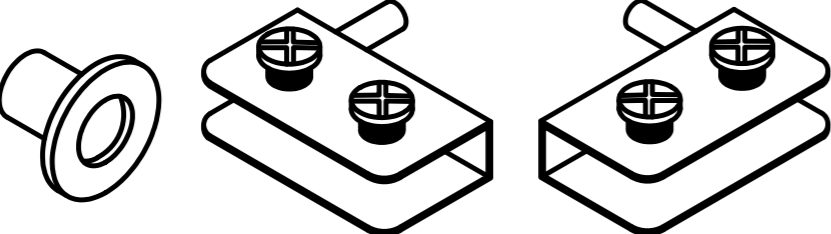
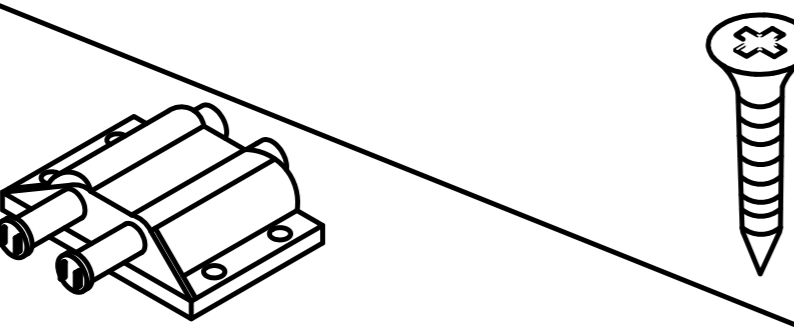
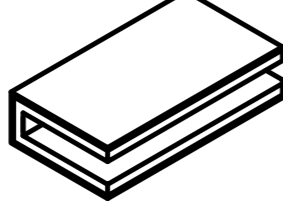
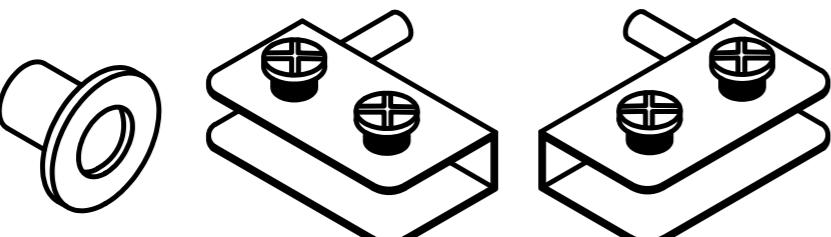
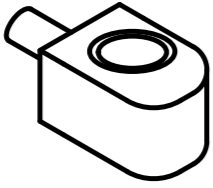
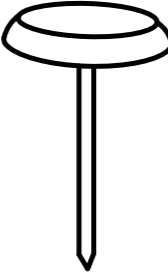
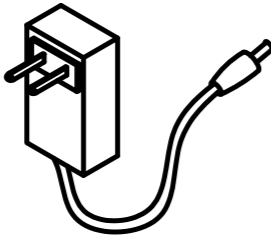
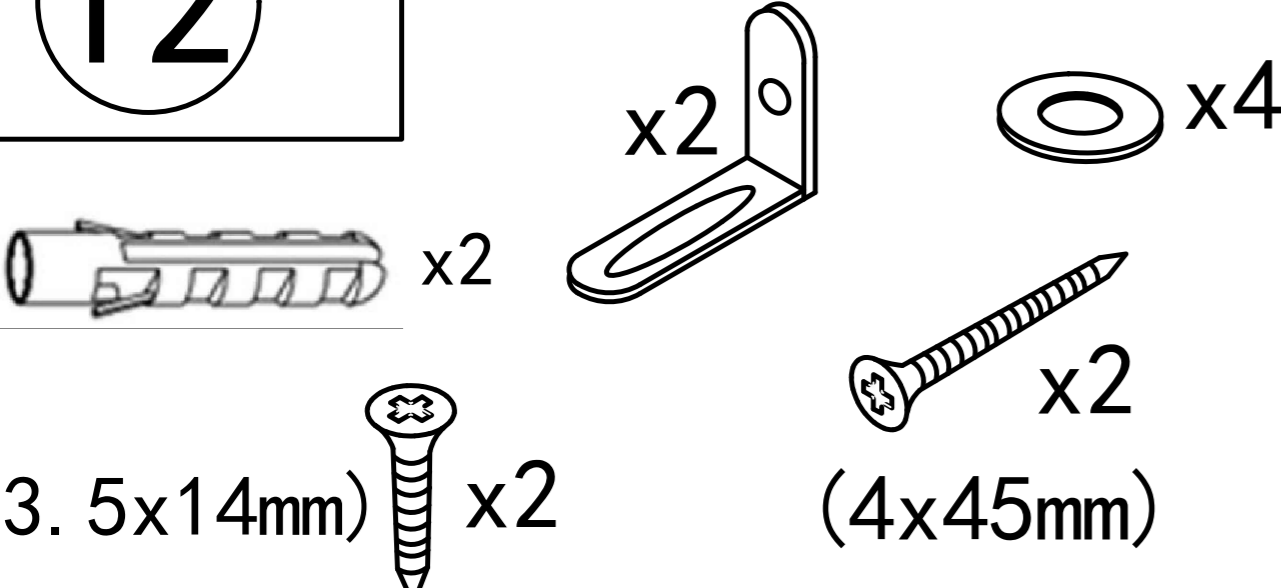
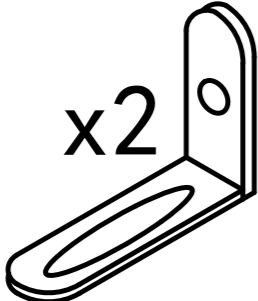
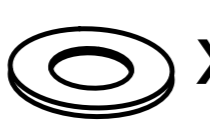
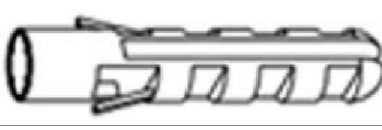
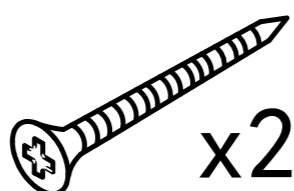
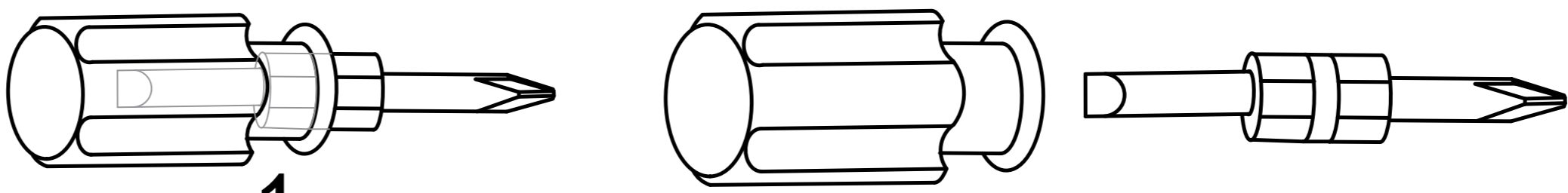
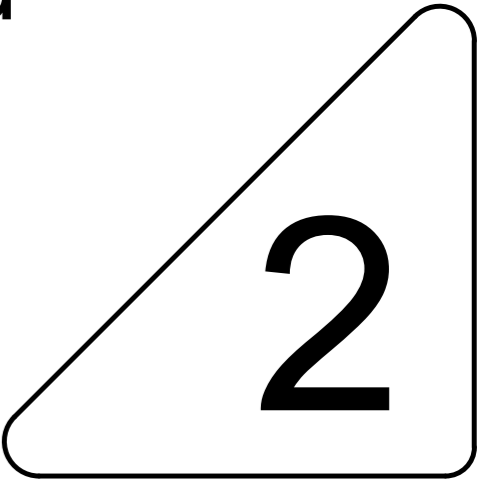


**Wx2**

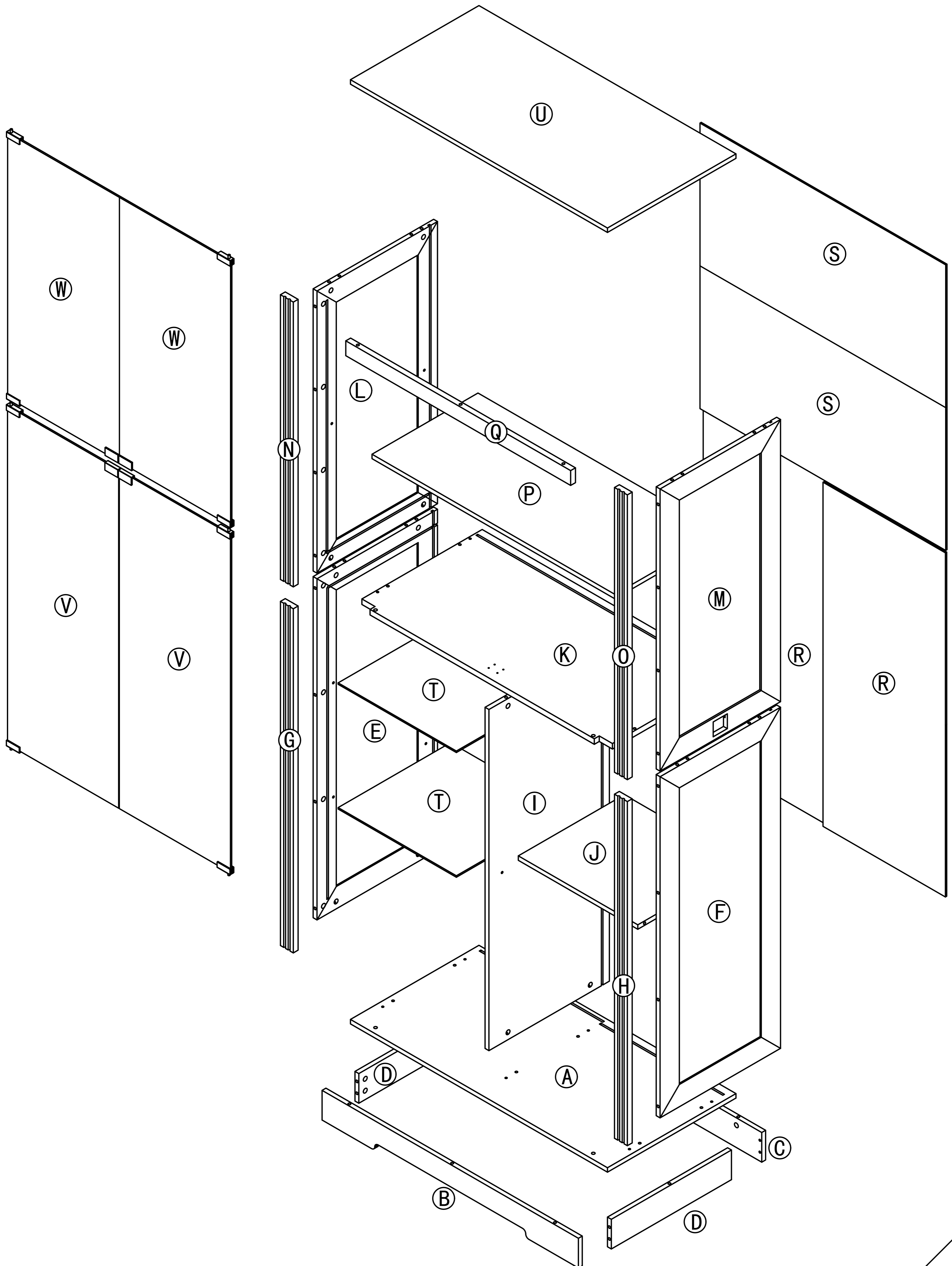


**1**

# Accessories list

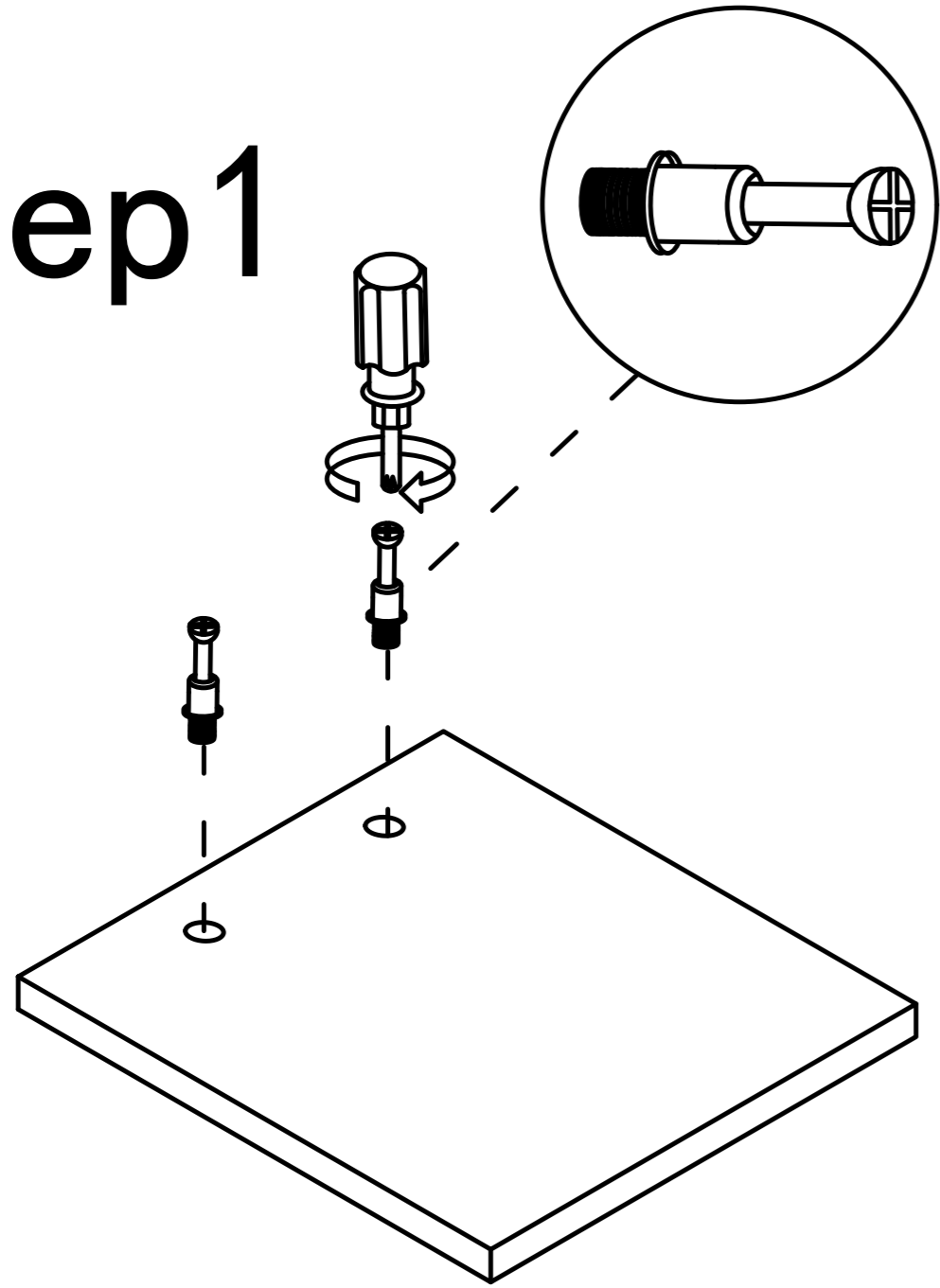
①		Two in one screw (6x28mm)	63pcs +3pcs
②		Two in one nut (10x12mm)	63pcs +3pcs
③		Wood Chipping (6x30mm)	20pcs +4pcs
④		Non-slip pads	6pcs
⑤		Fixing clip & screw (3x16mm)	20pcs +1pcs
⑥		Wire clamp	3pcs +2pcs
⑦		Double end connecting line	2pcs
⑧		Rebound device & Screw (3x16mm)	8pcs +2pcs
		Iron sheet	2pcs
		Hinge	4pcs
⑨		Rebound device & Screw (3x16mm)	4pcs +1pcs
		Iron sheet	2pcs
		Hinge	4pcs
⑩		Laminate Support Nail	8pcs
⑪		Foot nail	2pcs +1pcs
		AC/DC Adapter (12V=3.0A)	1pcs
⑫	<p>Anti Fall Hardware</p>  <p>x2  x4    x2  x2  (3.5x14mm) x2 (4x45mm)</p>	<p>Double-head screwdriver, use as required</p>  <p>1pcs</p>	 <p>2</p>

# Product structure decomposition

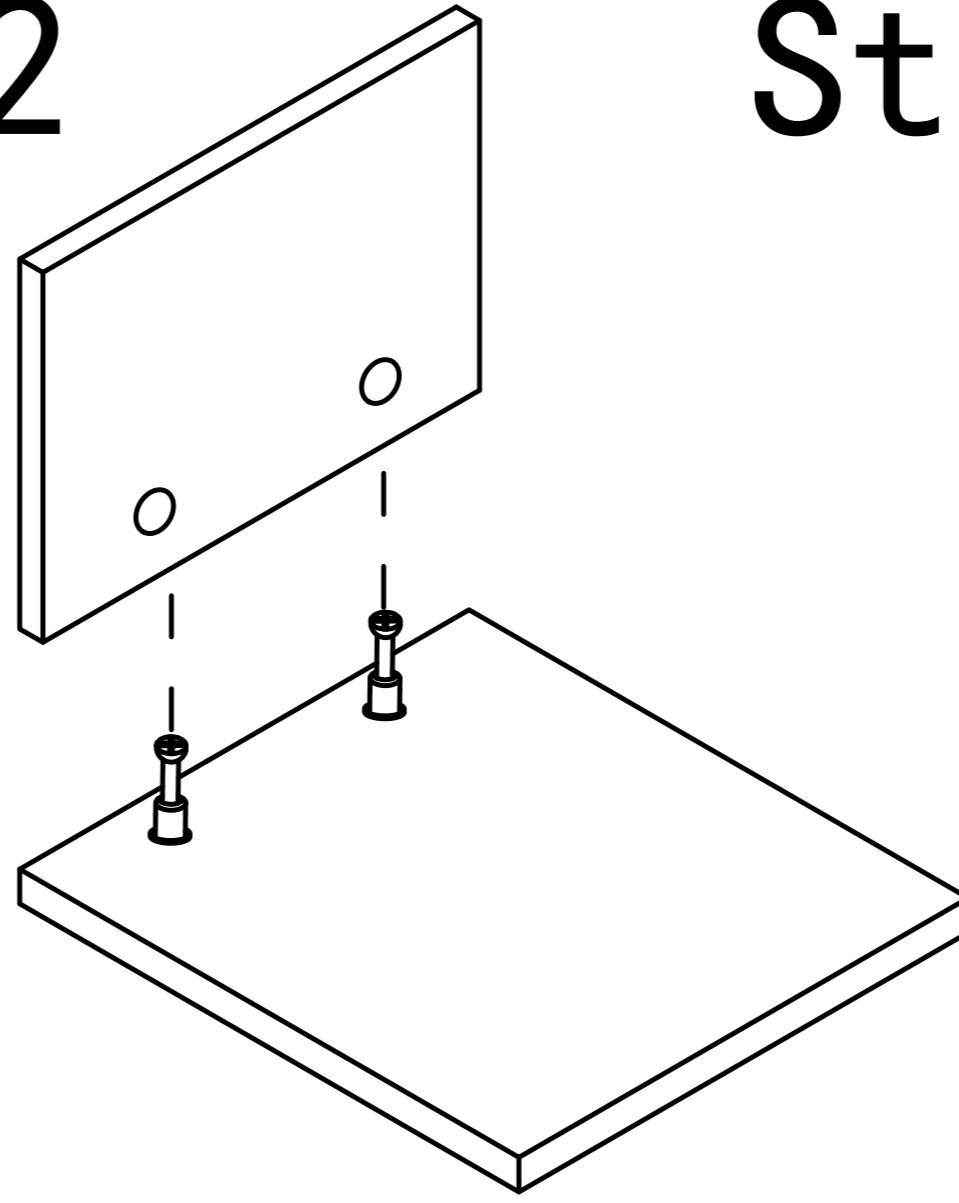


# Use parts ① and ②

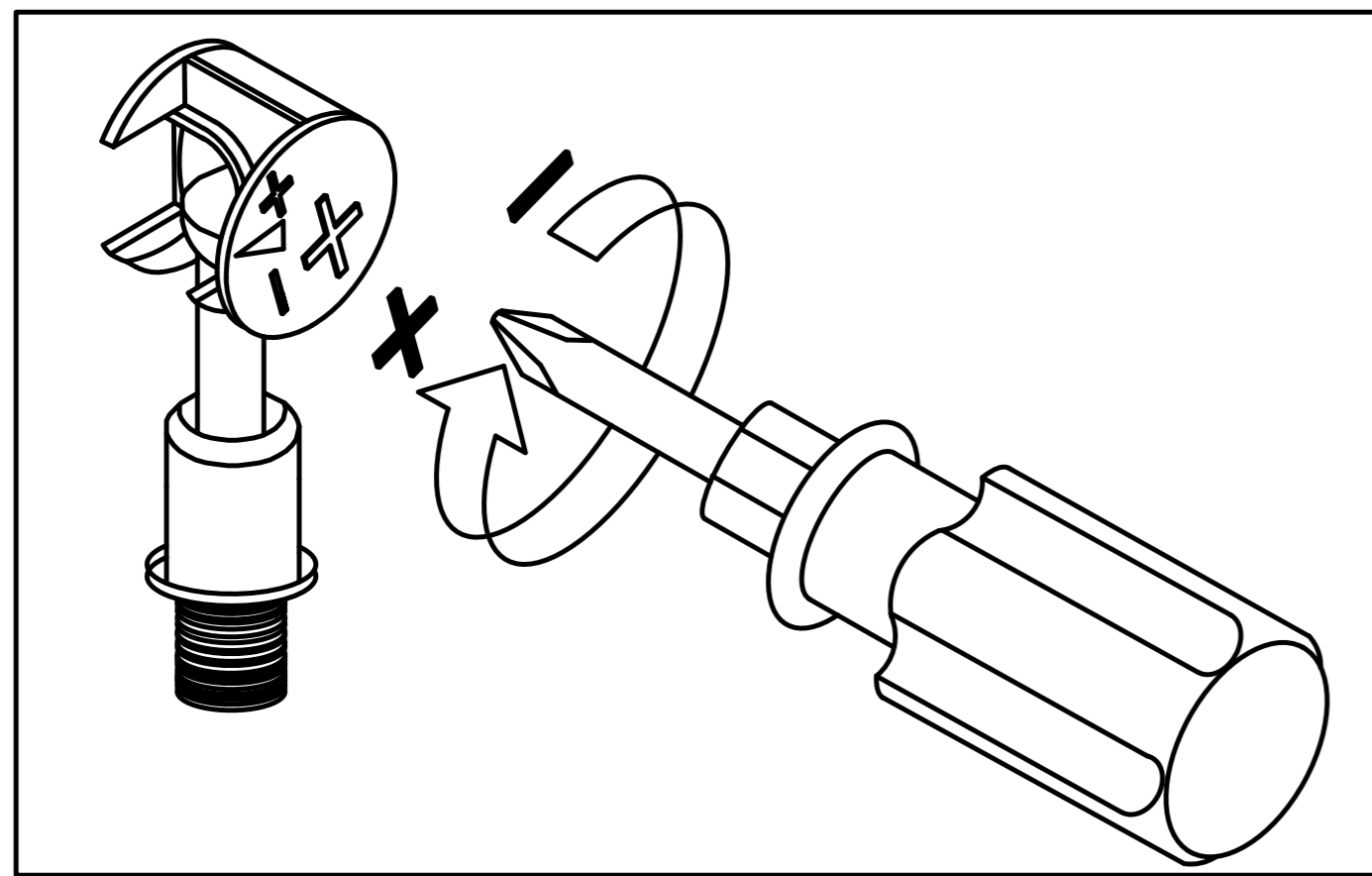
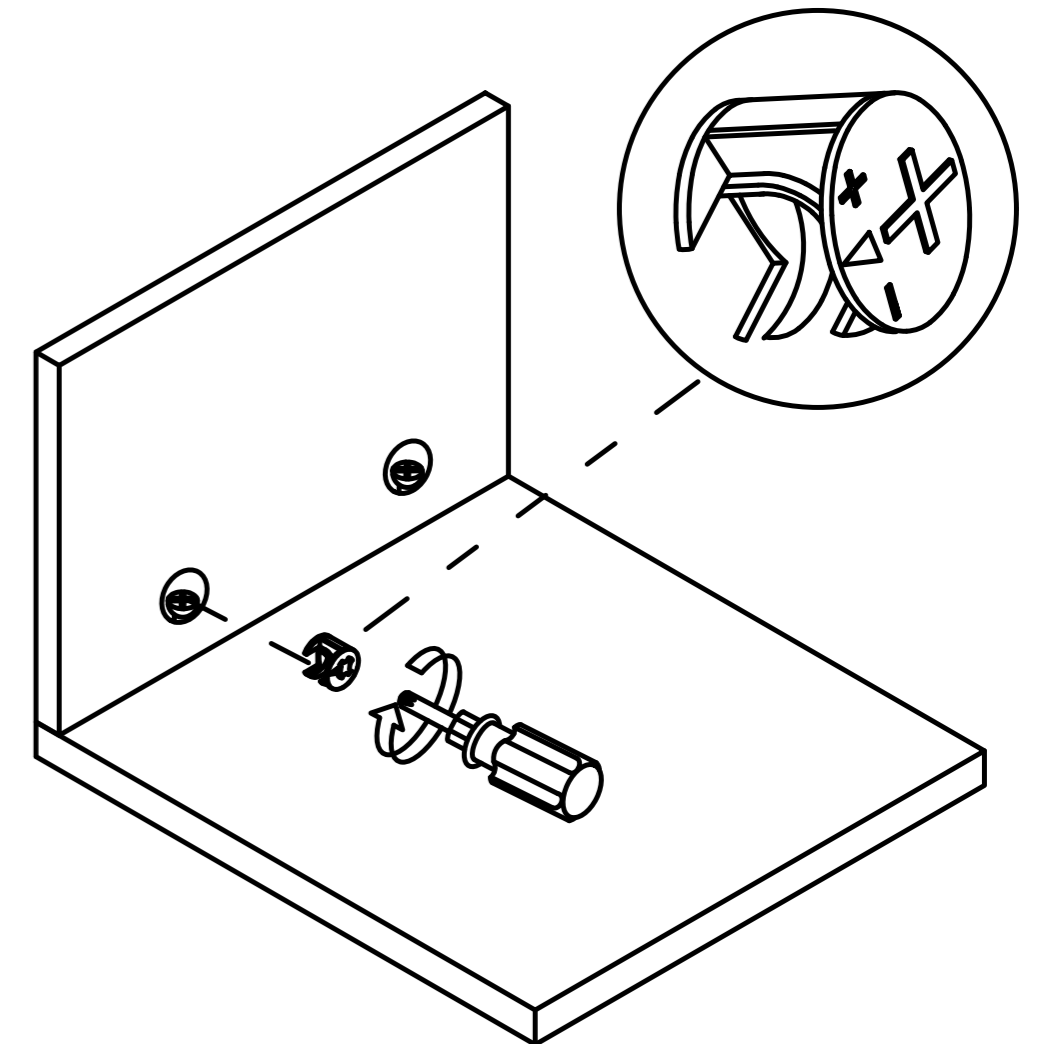
Step 1



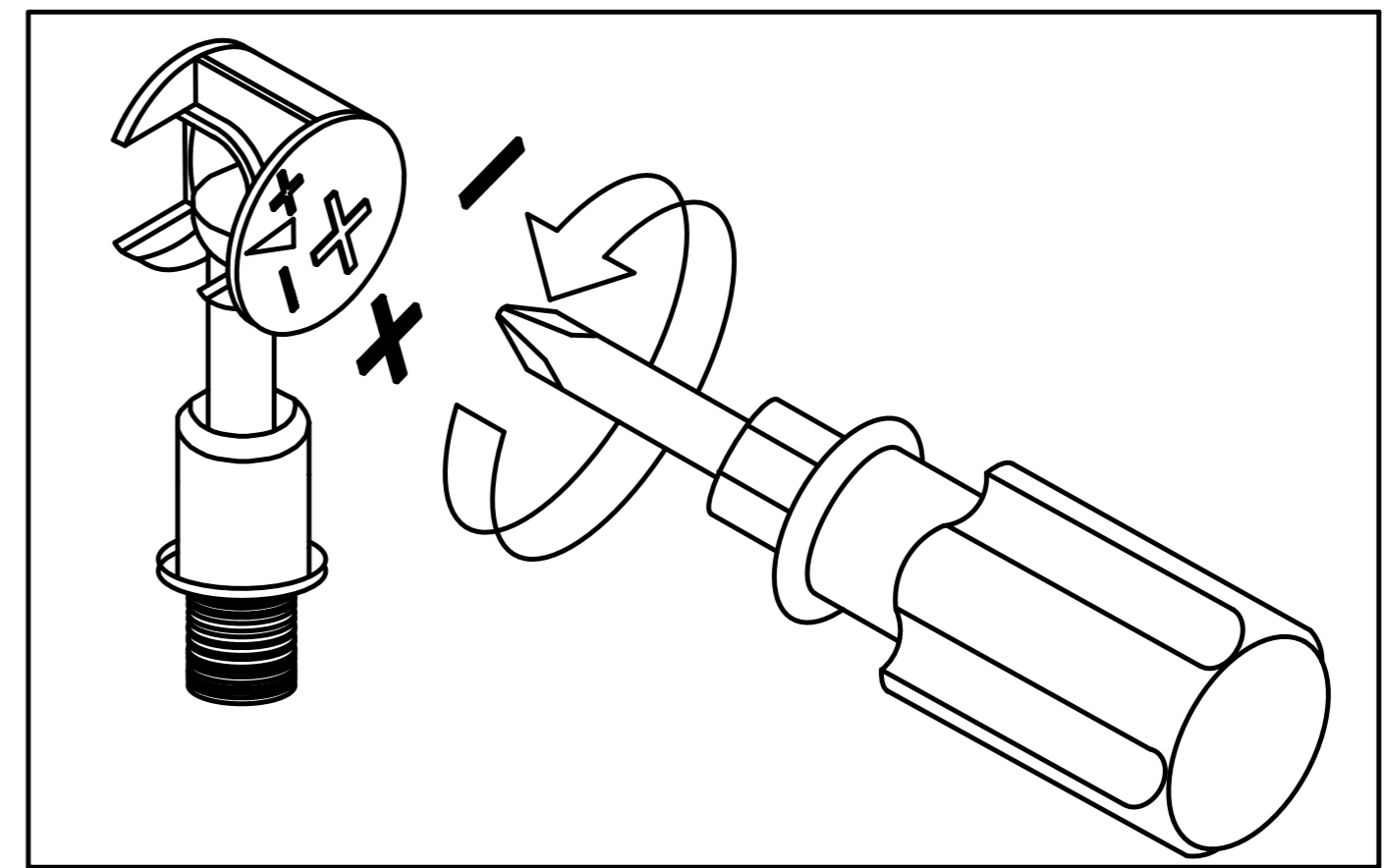
Step 2



Step 3

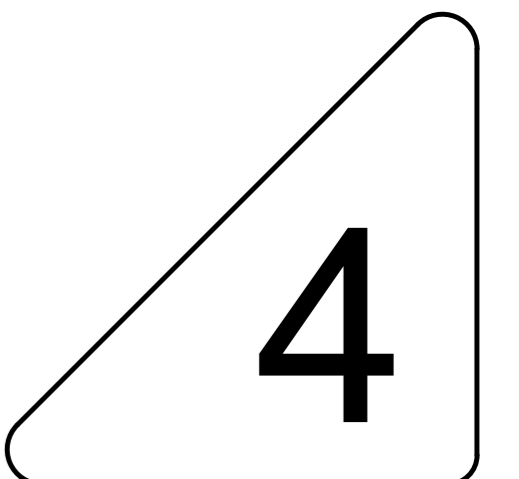
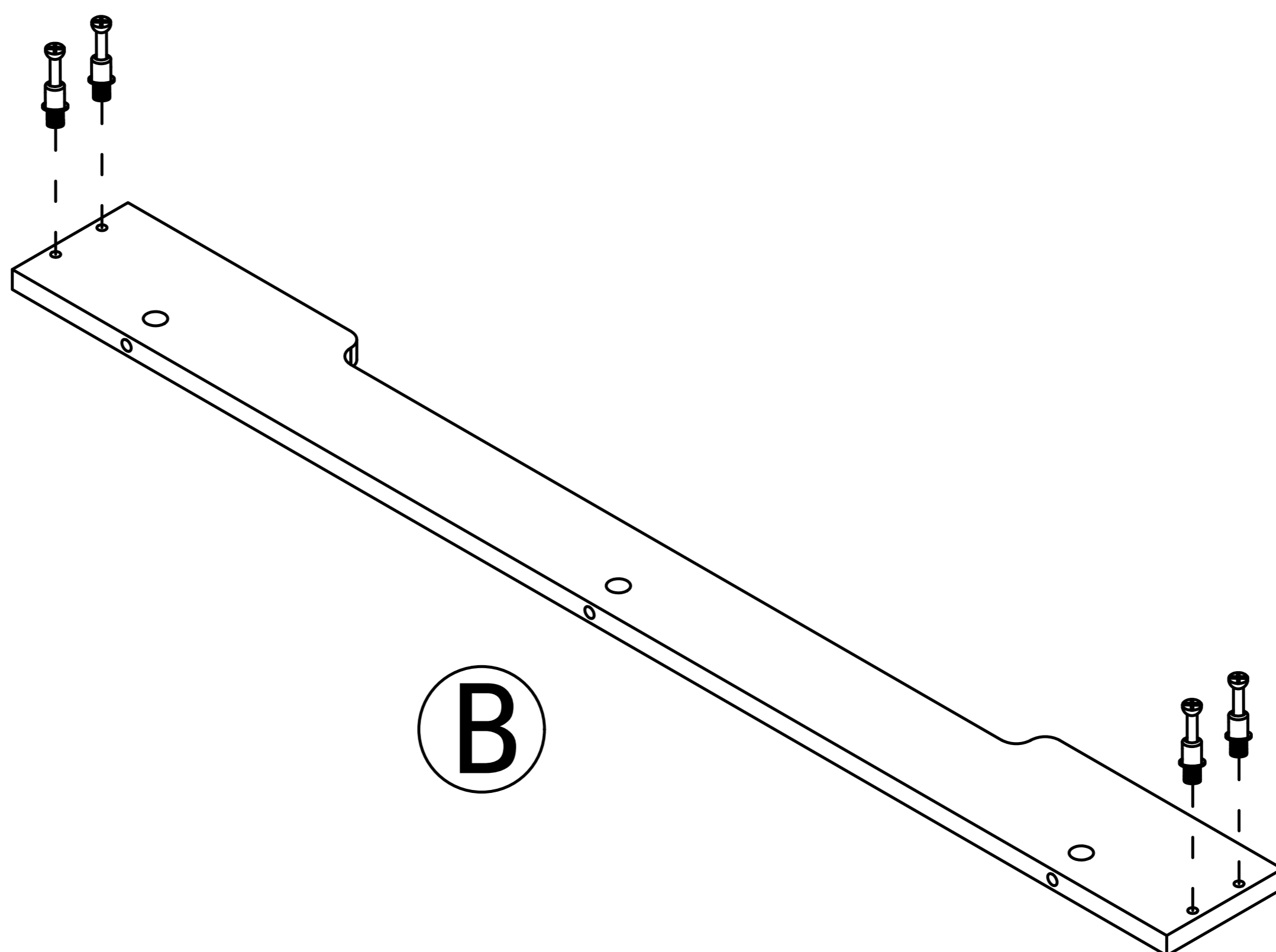
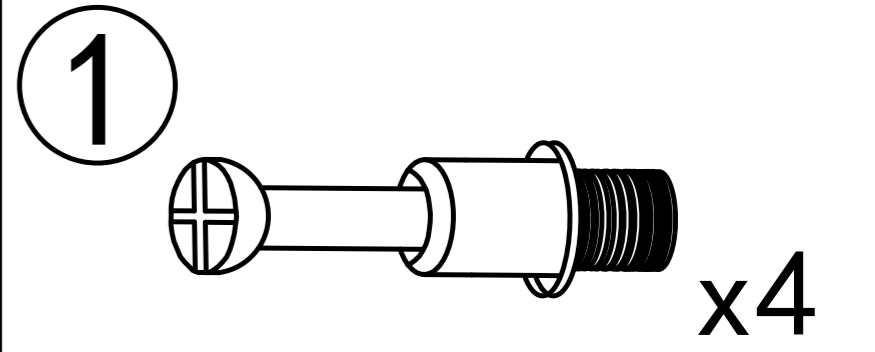


Use a screwdriver to lock in the direction of the "+" sign

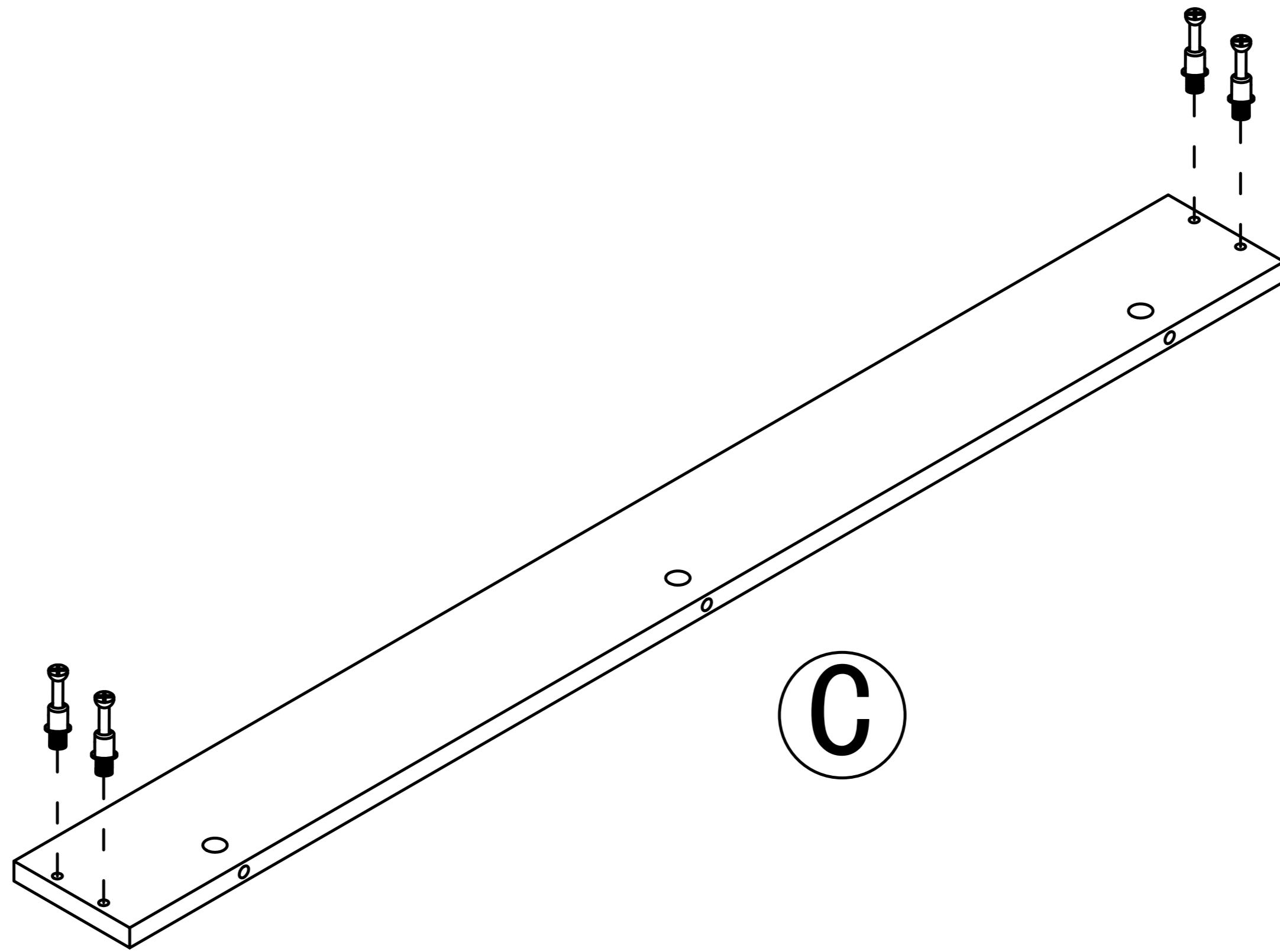
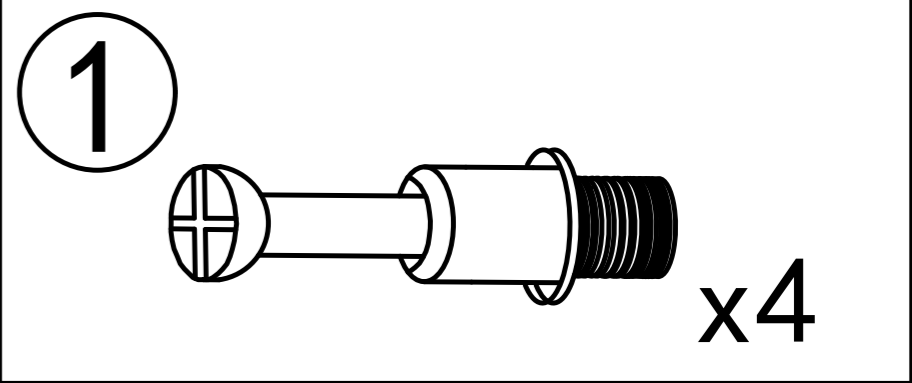


Disassemble along the direction of "-" sign

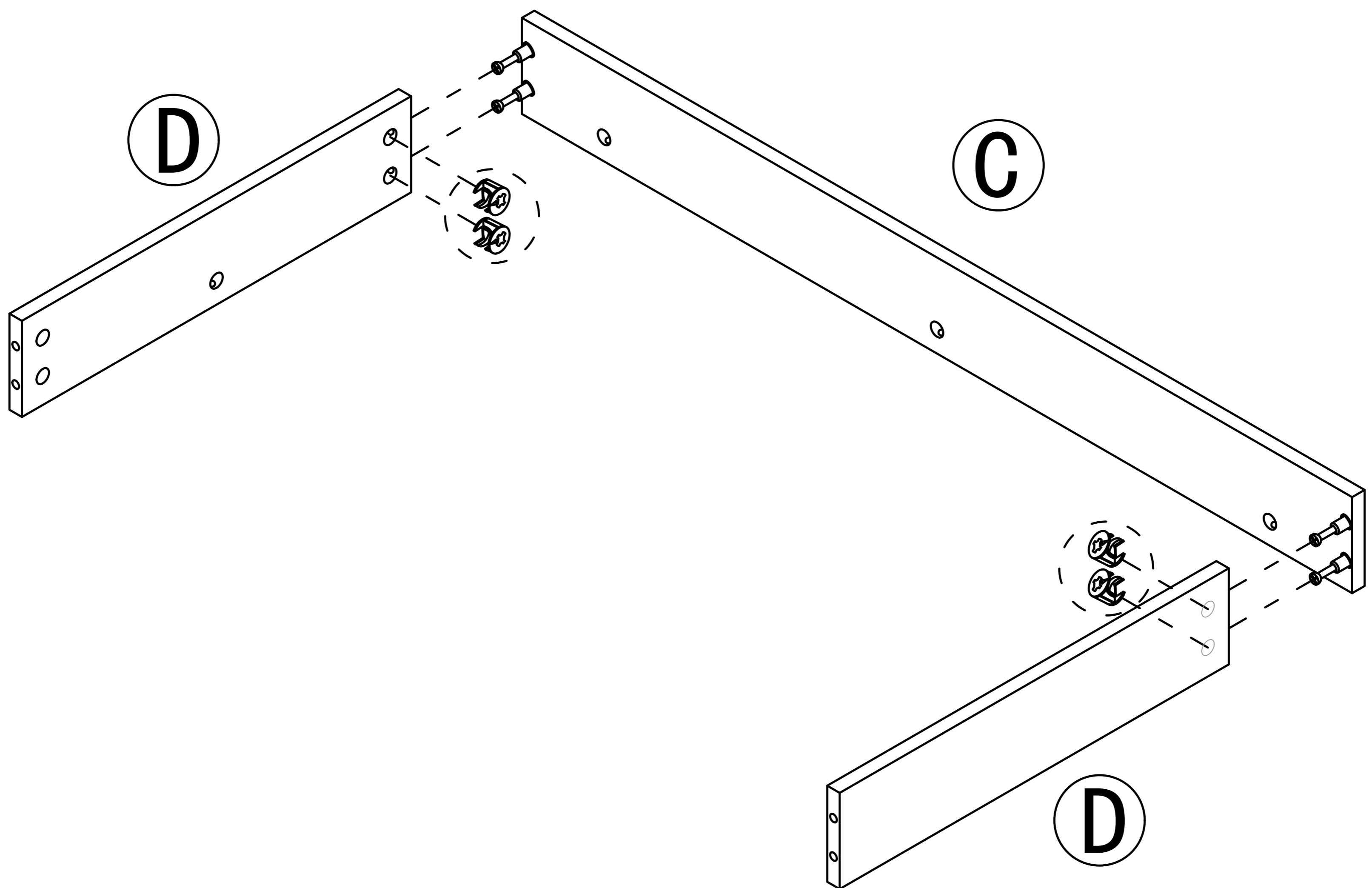
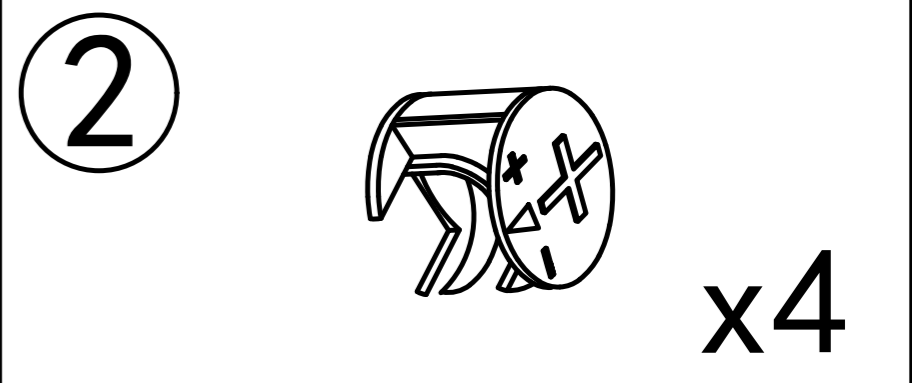
Step 1



Step 2

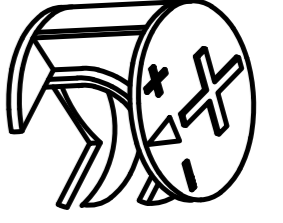


Step 3

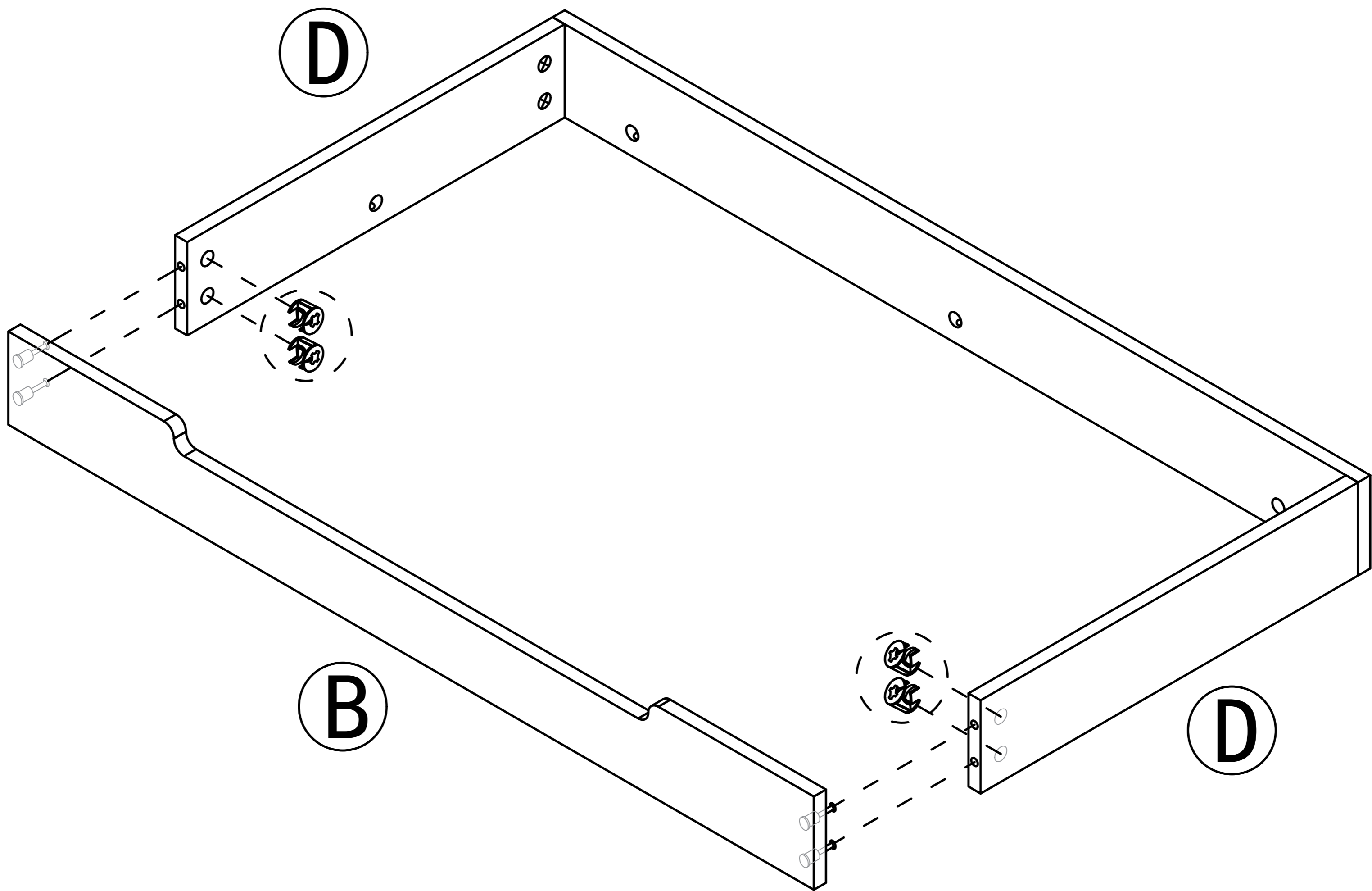


Step 4

2

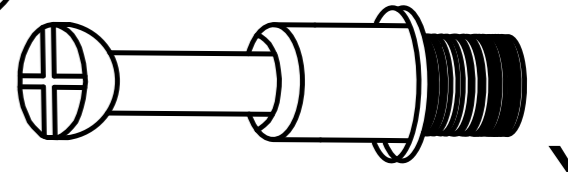


x4

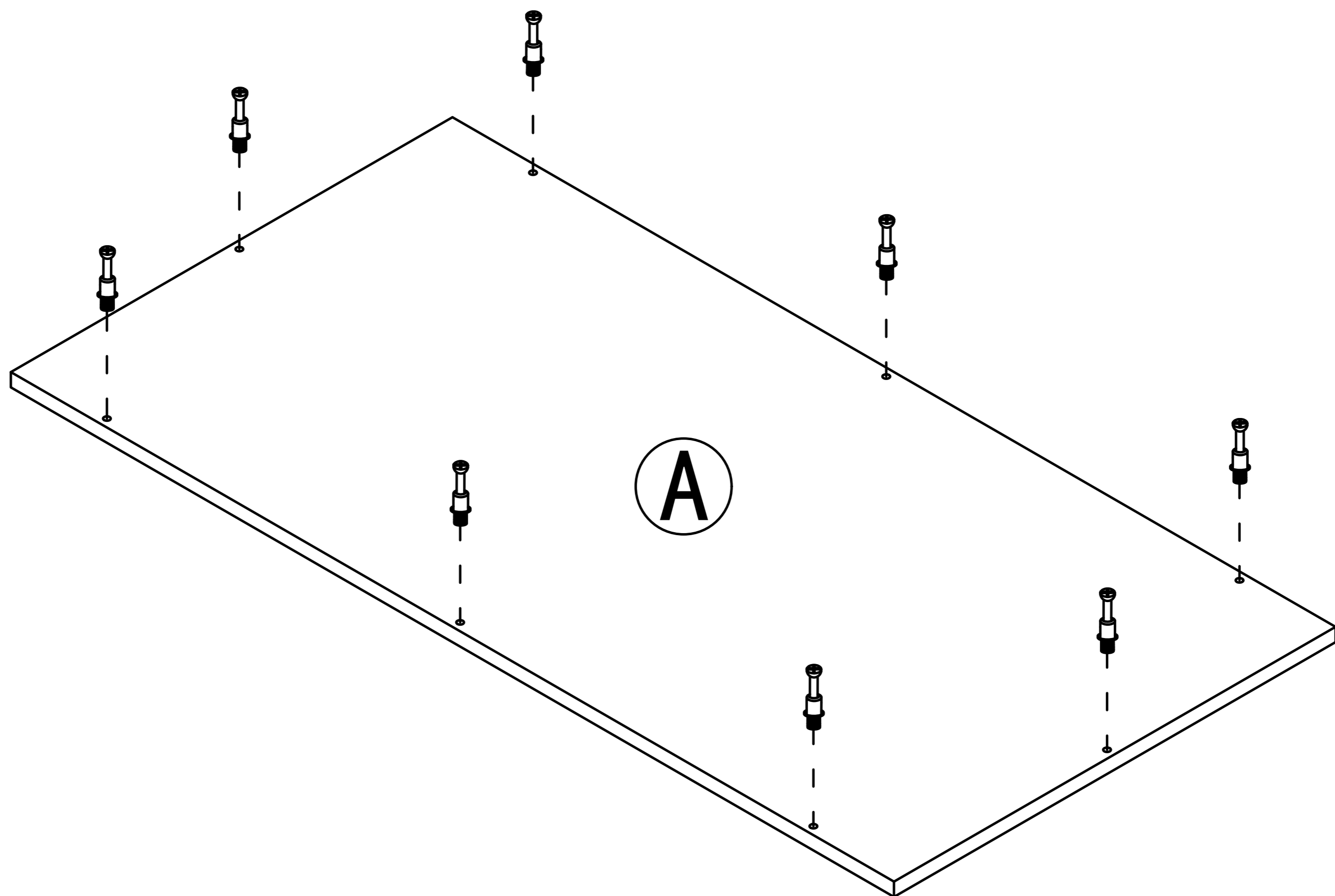


Step 5

1



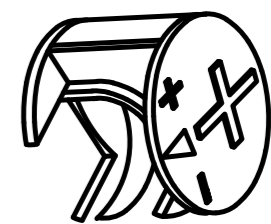
x8



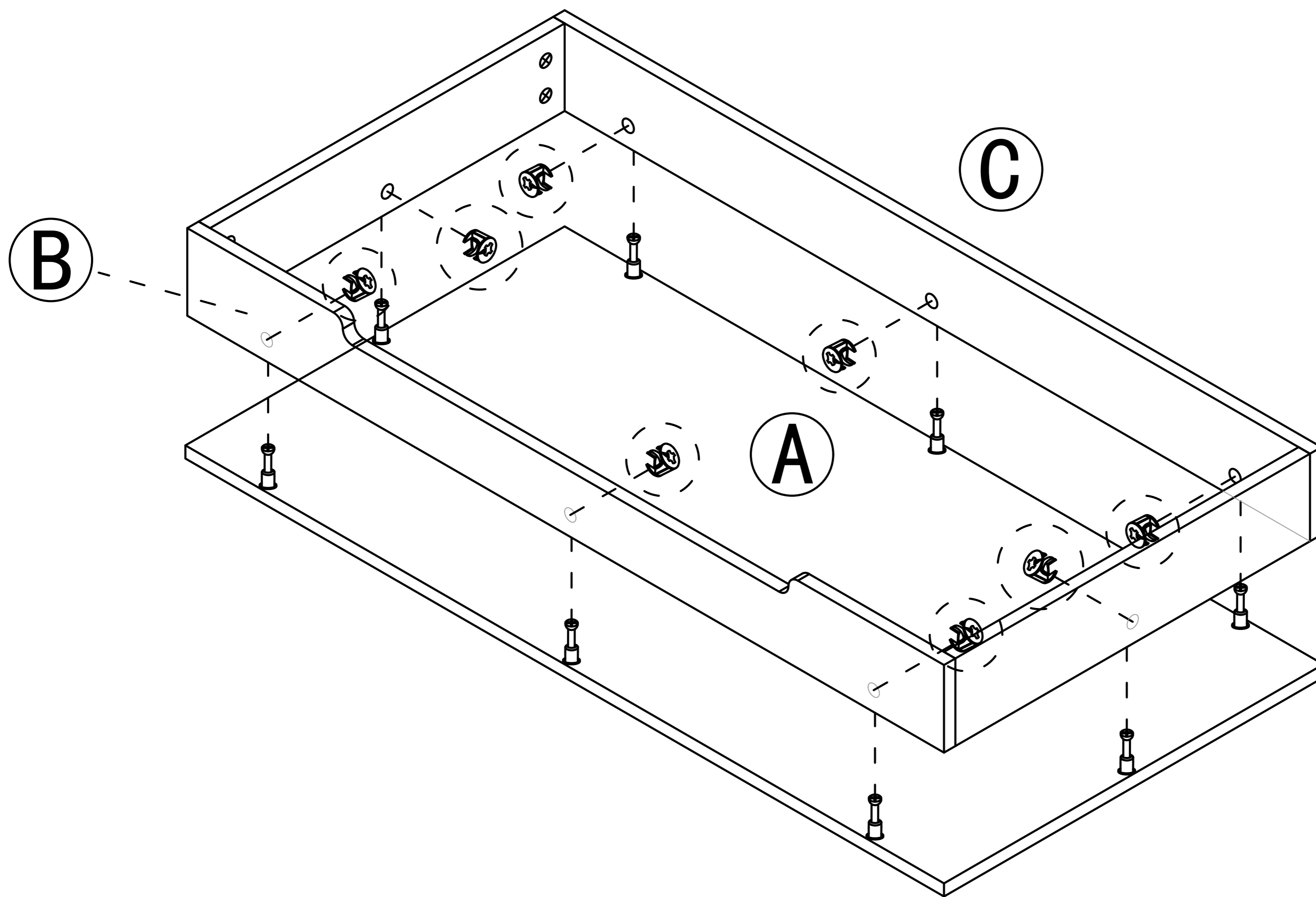
6

# Step 6

2

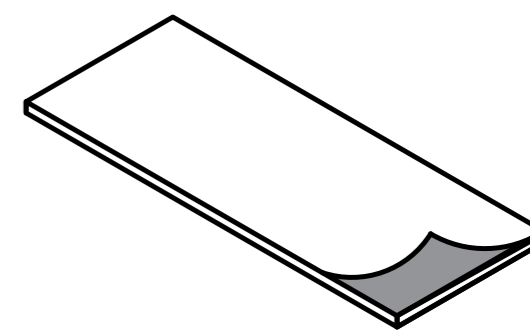


x8



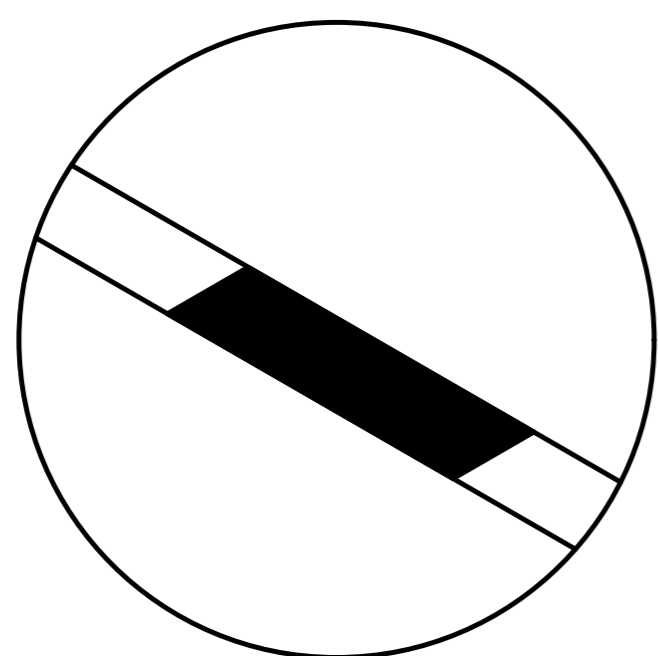
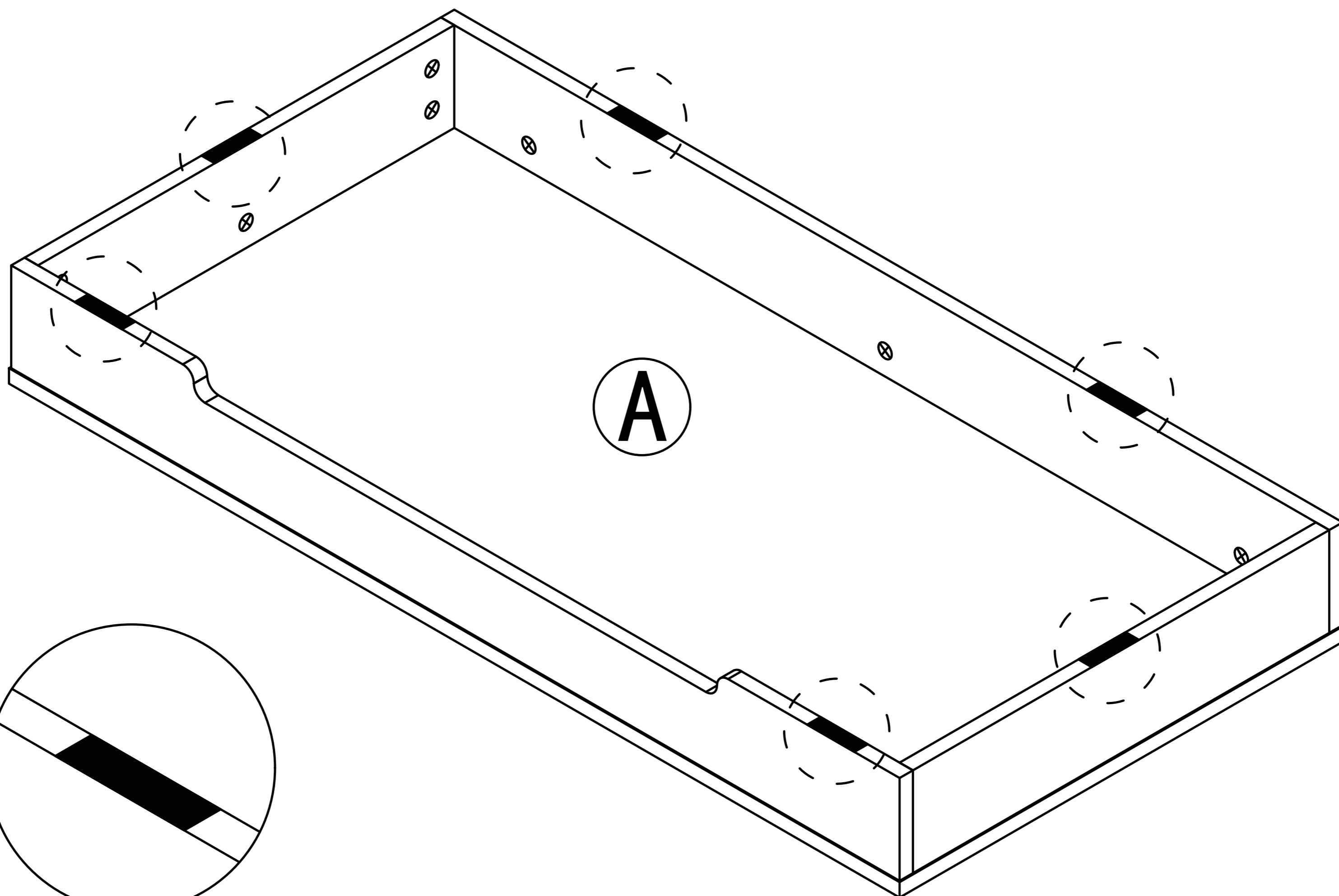
# Step 7

4



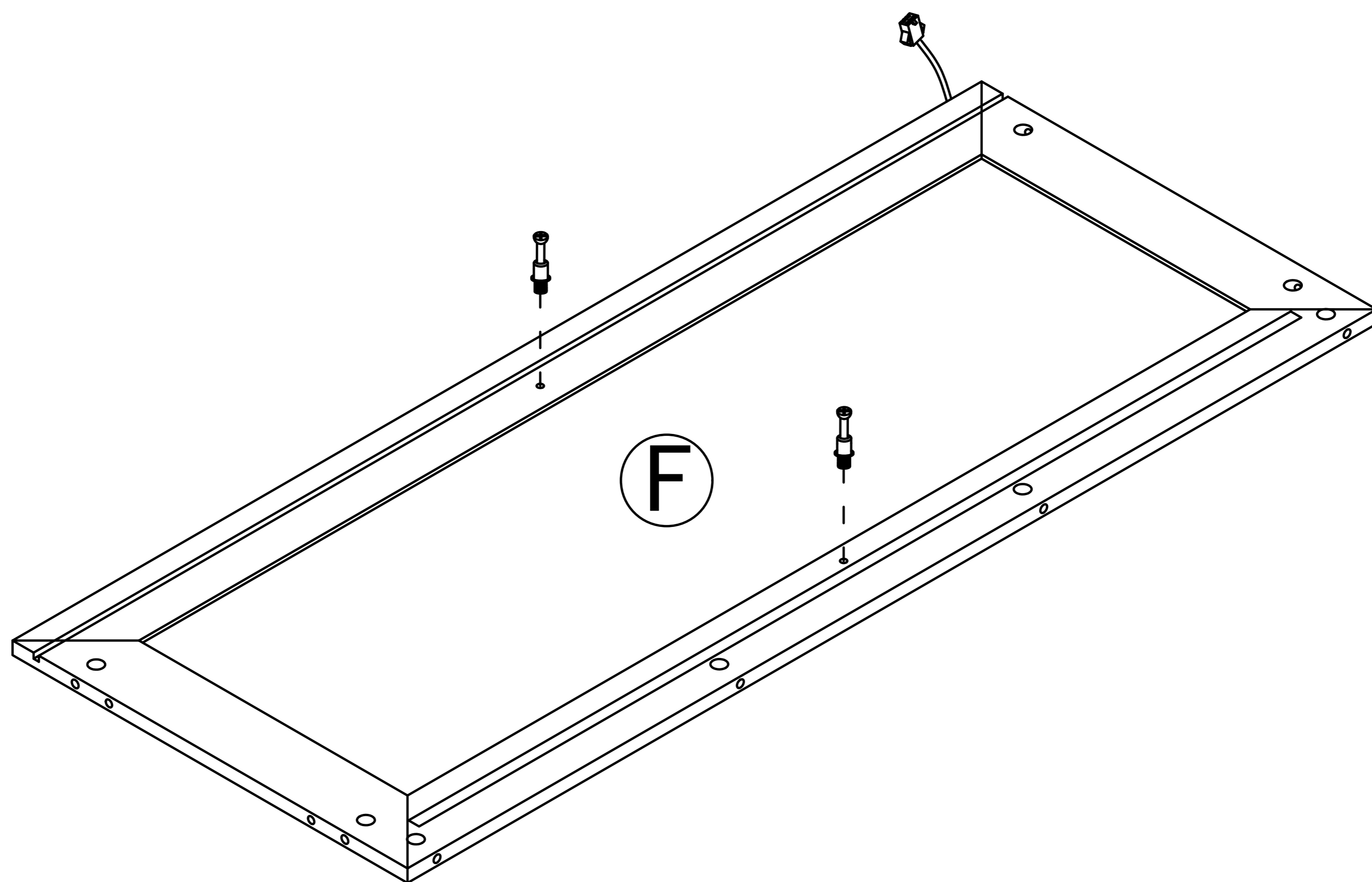
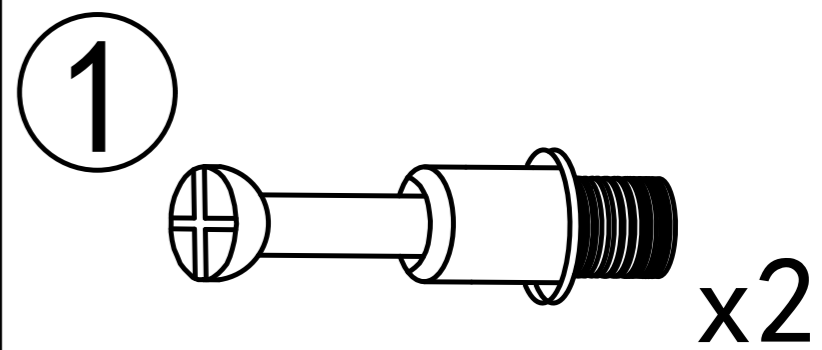
x6

Tear off release paper and stick the black foot pad on the board

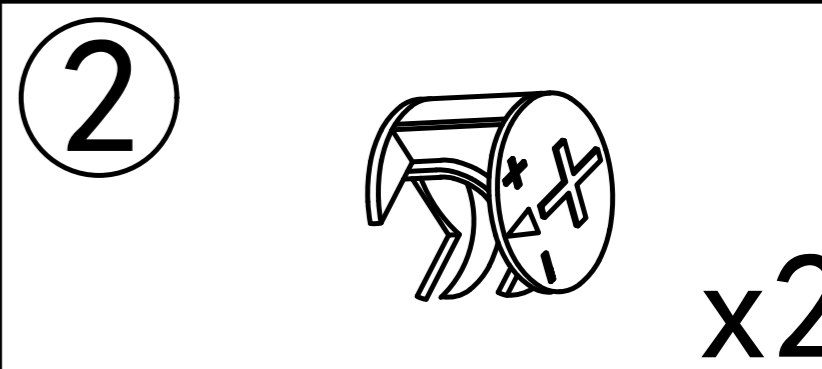


7

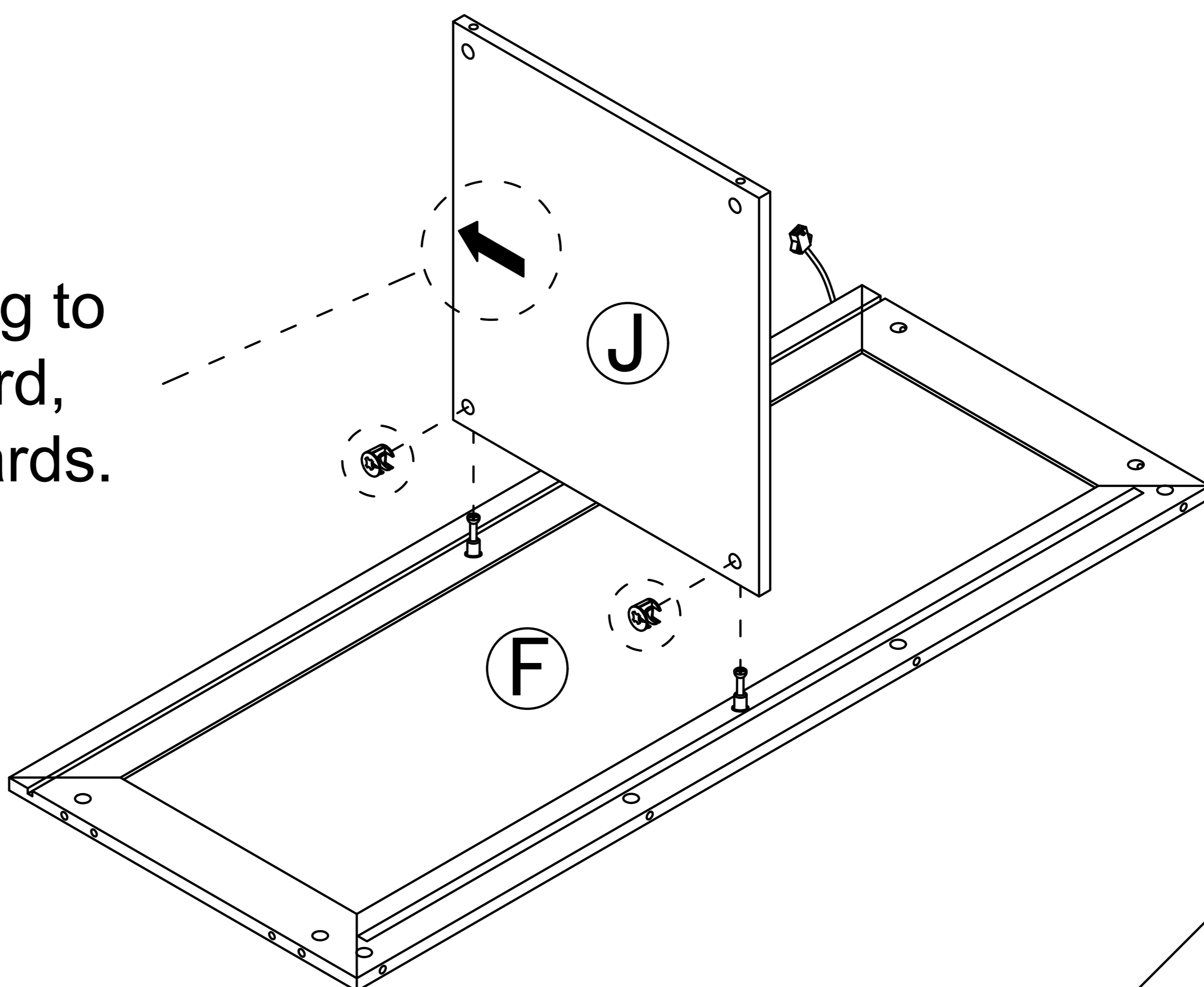
# Step 8



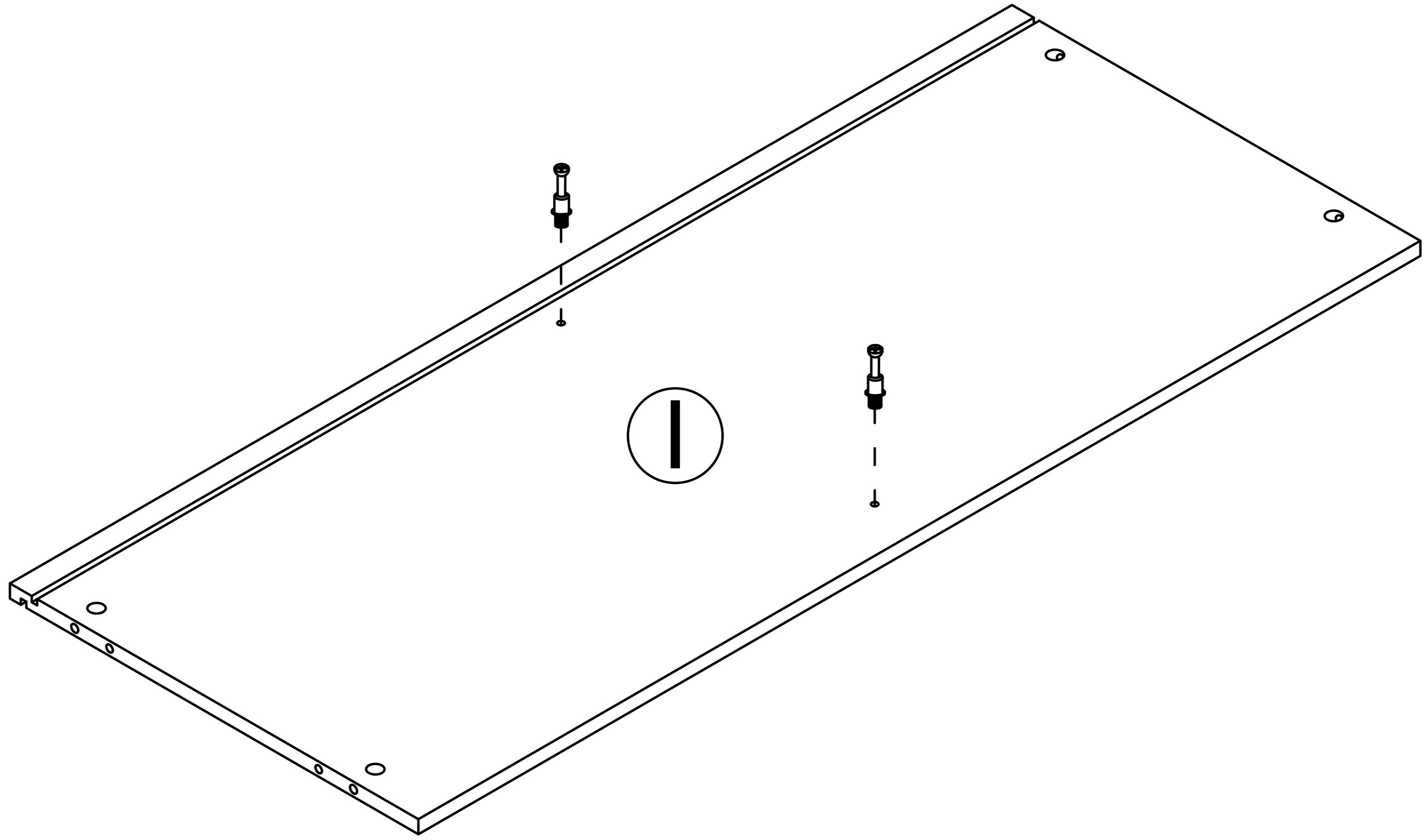
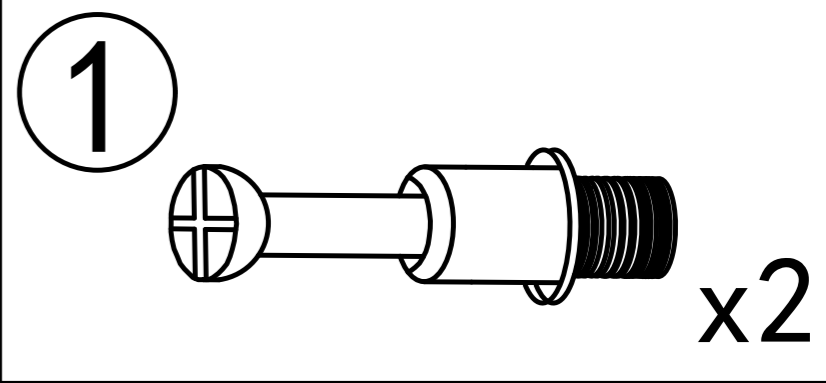
# Step 9



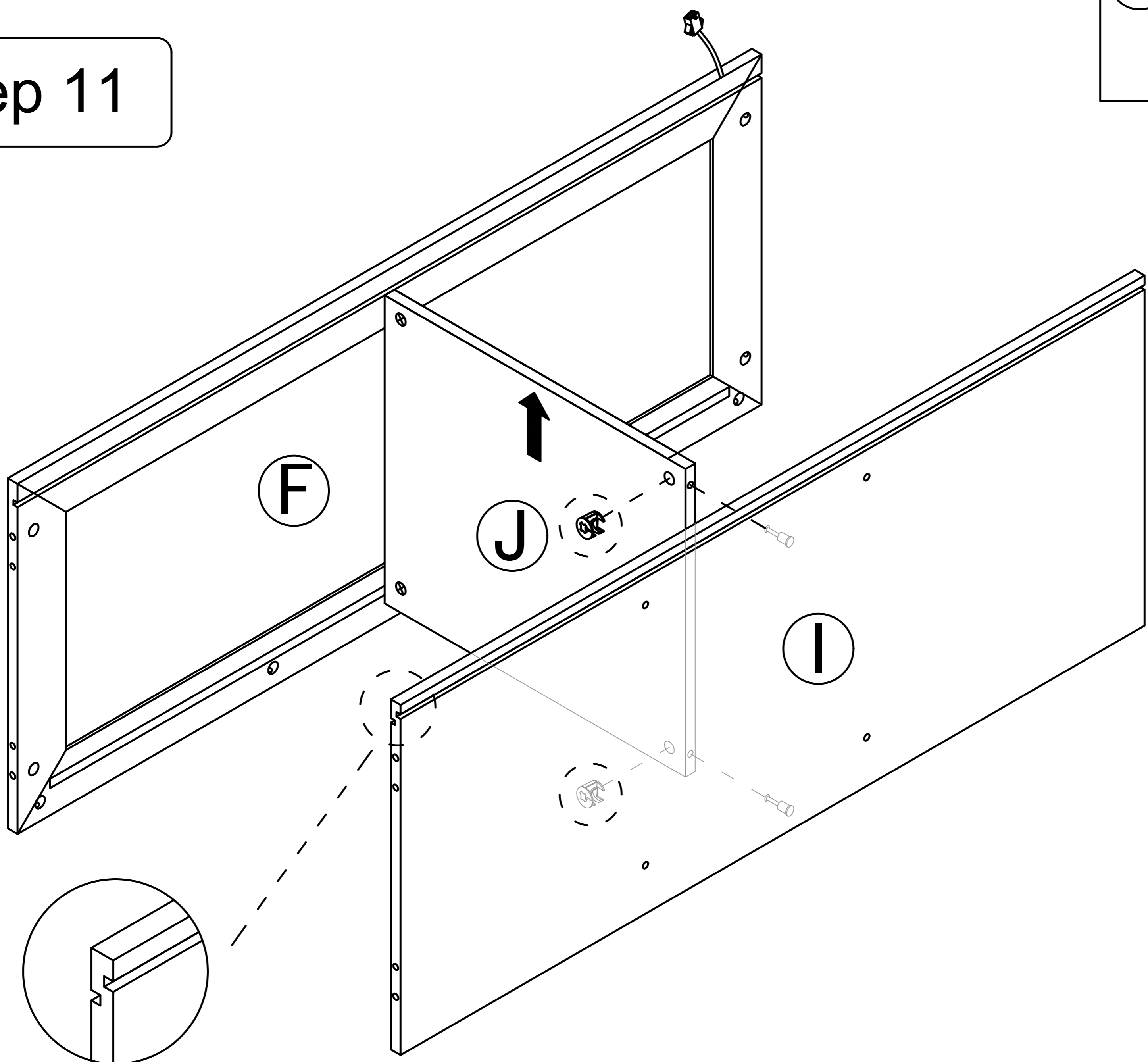
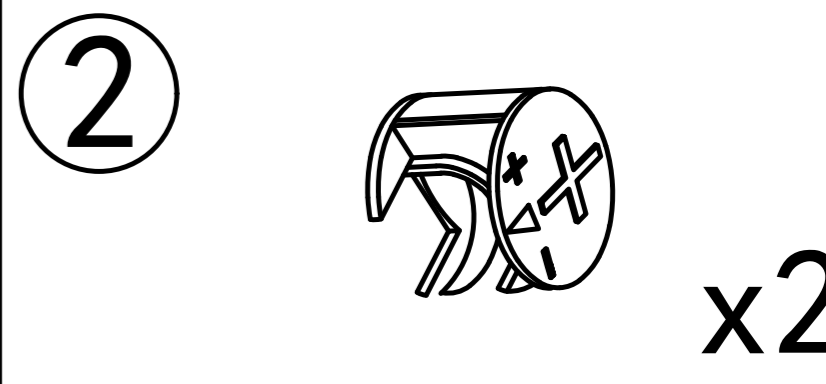
Note: Install according to the arrow on the board, don't install it backwards.



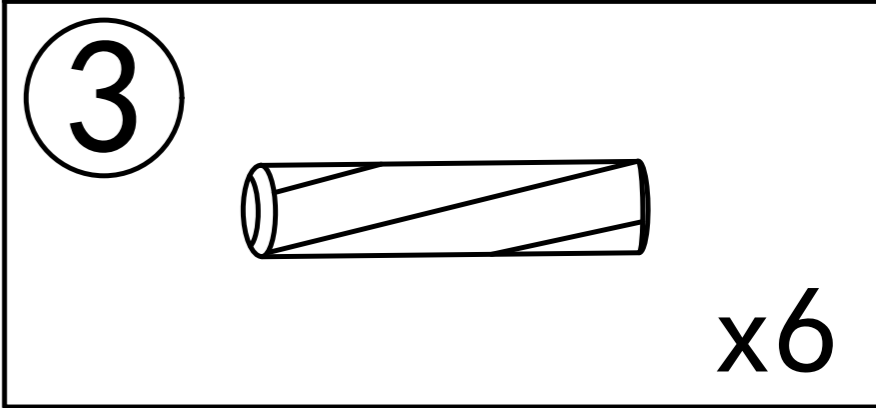
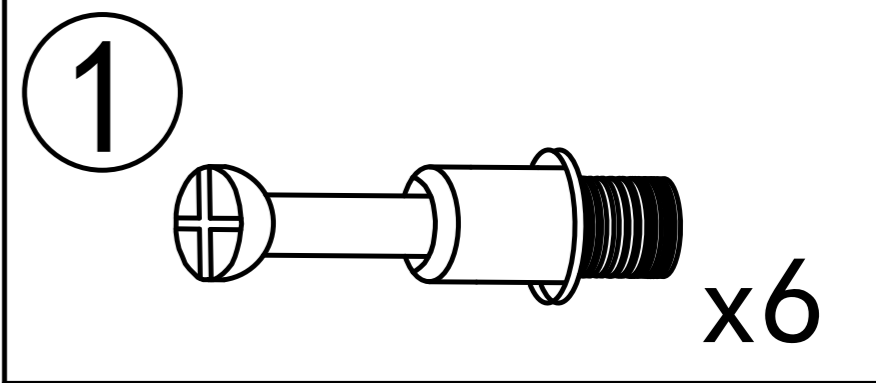
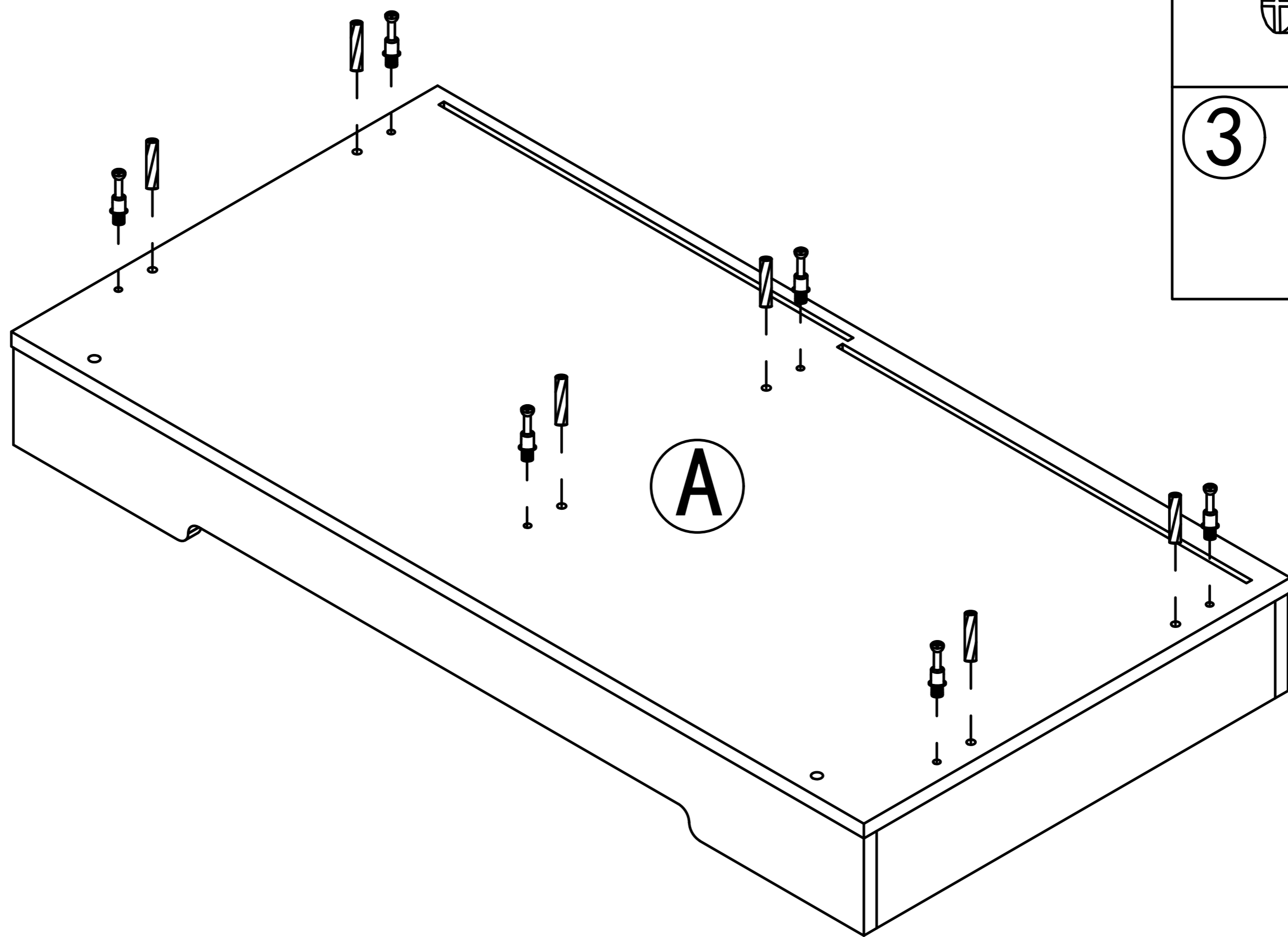
Step 10



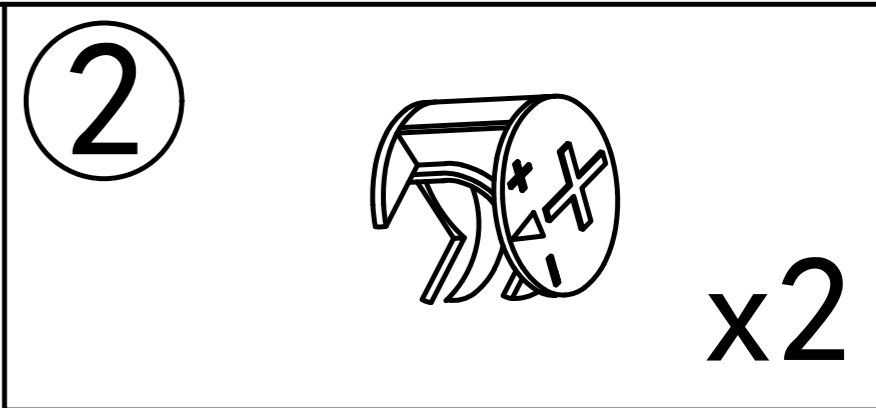
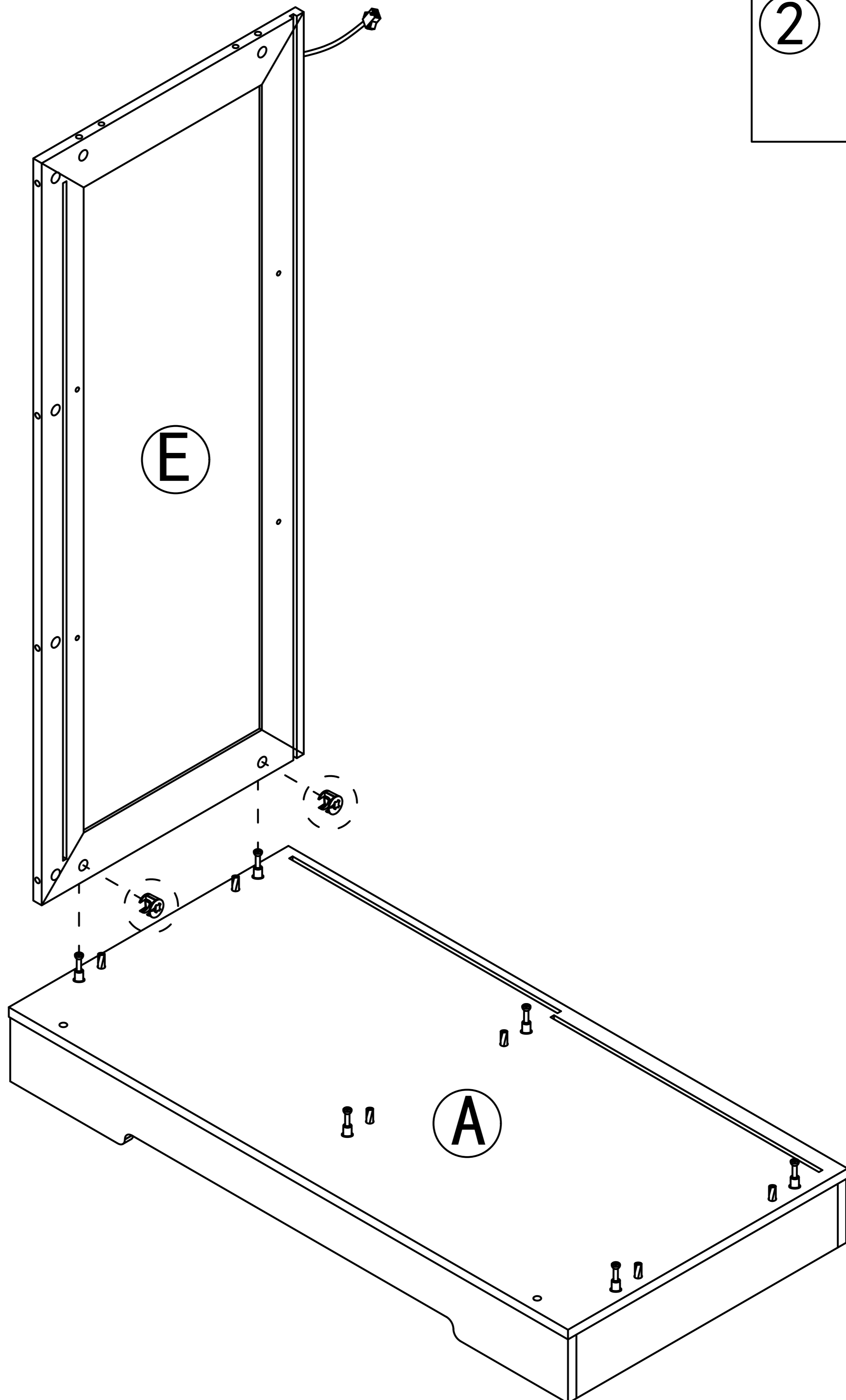
Step 11



Step 12

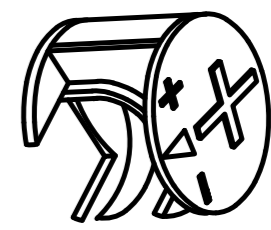


Step 13

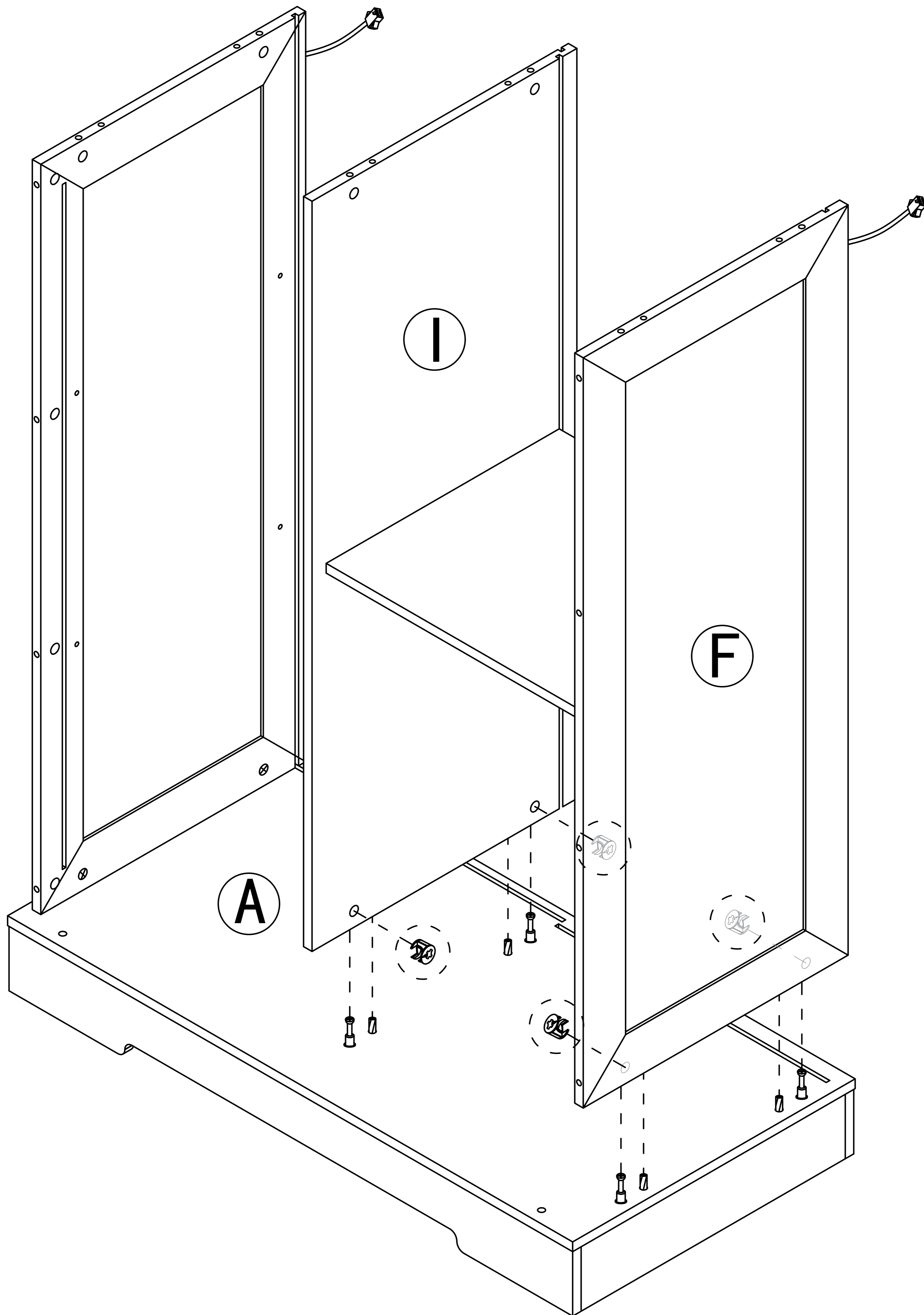


Step 14

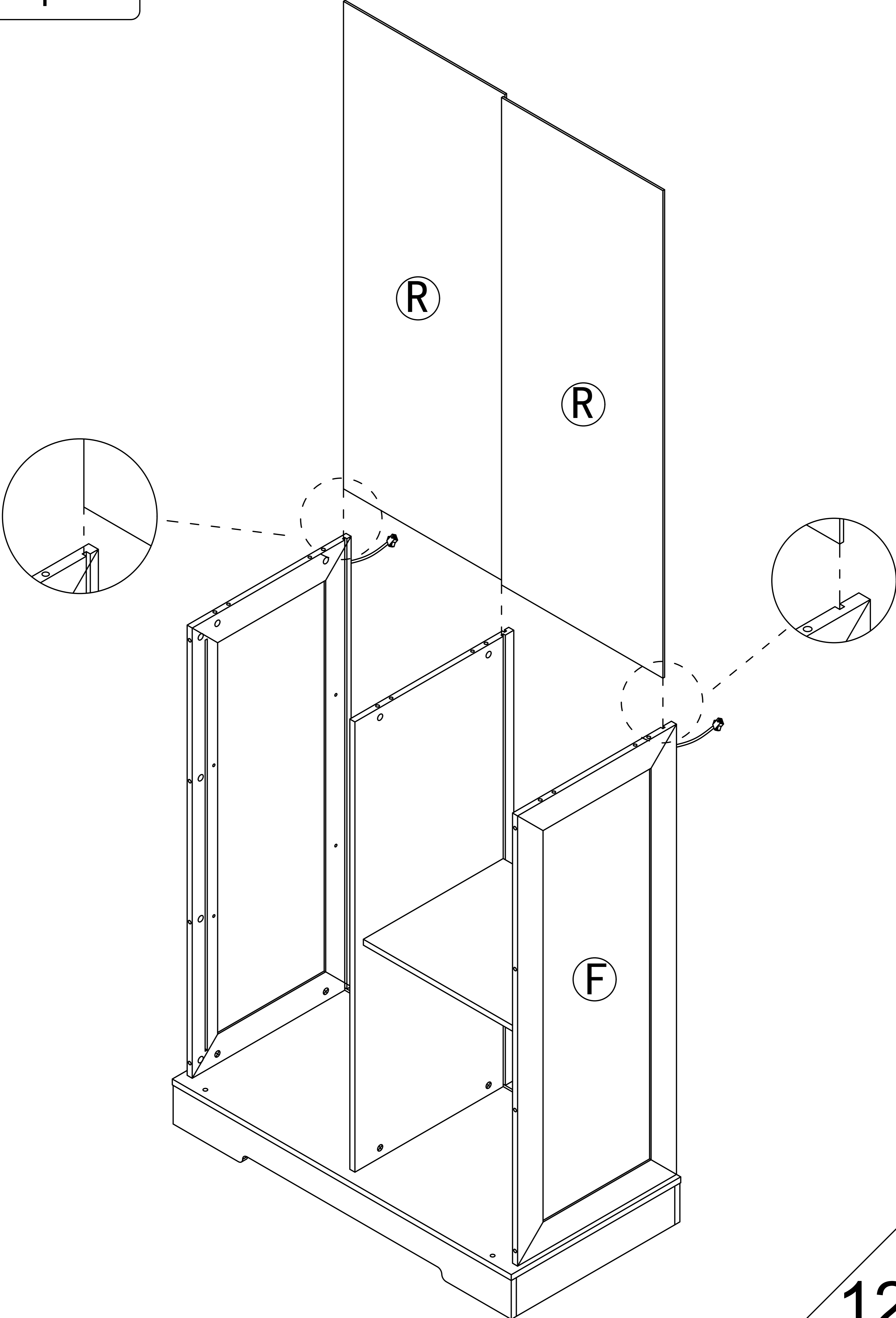
2



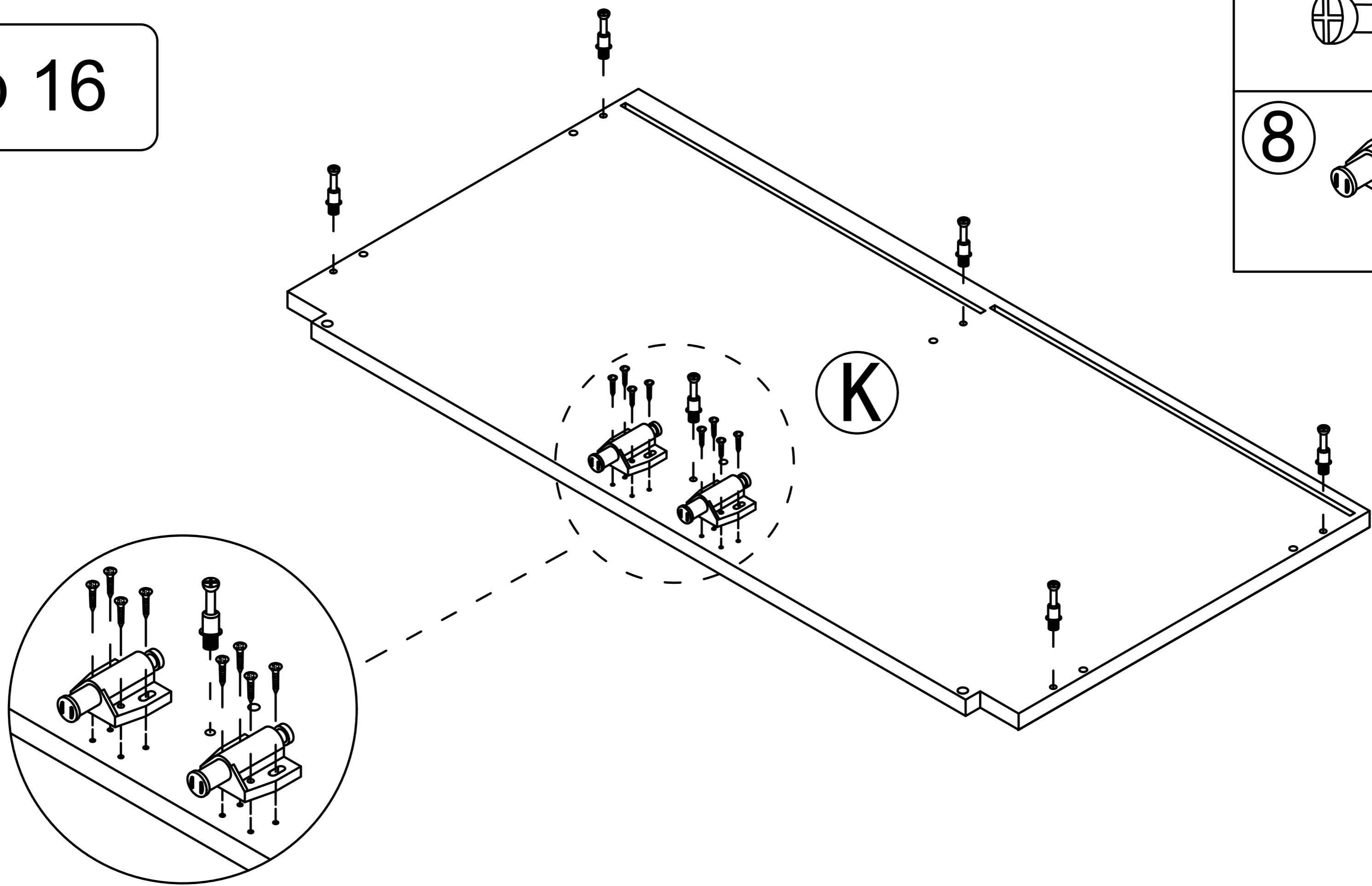
x4



Step 15

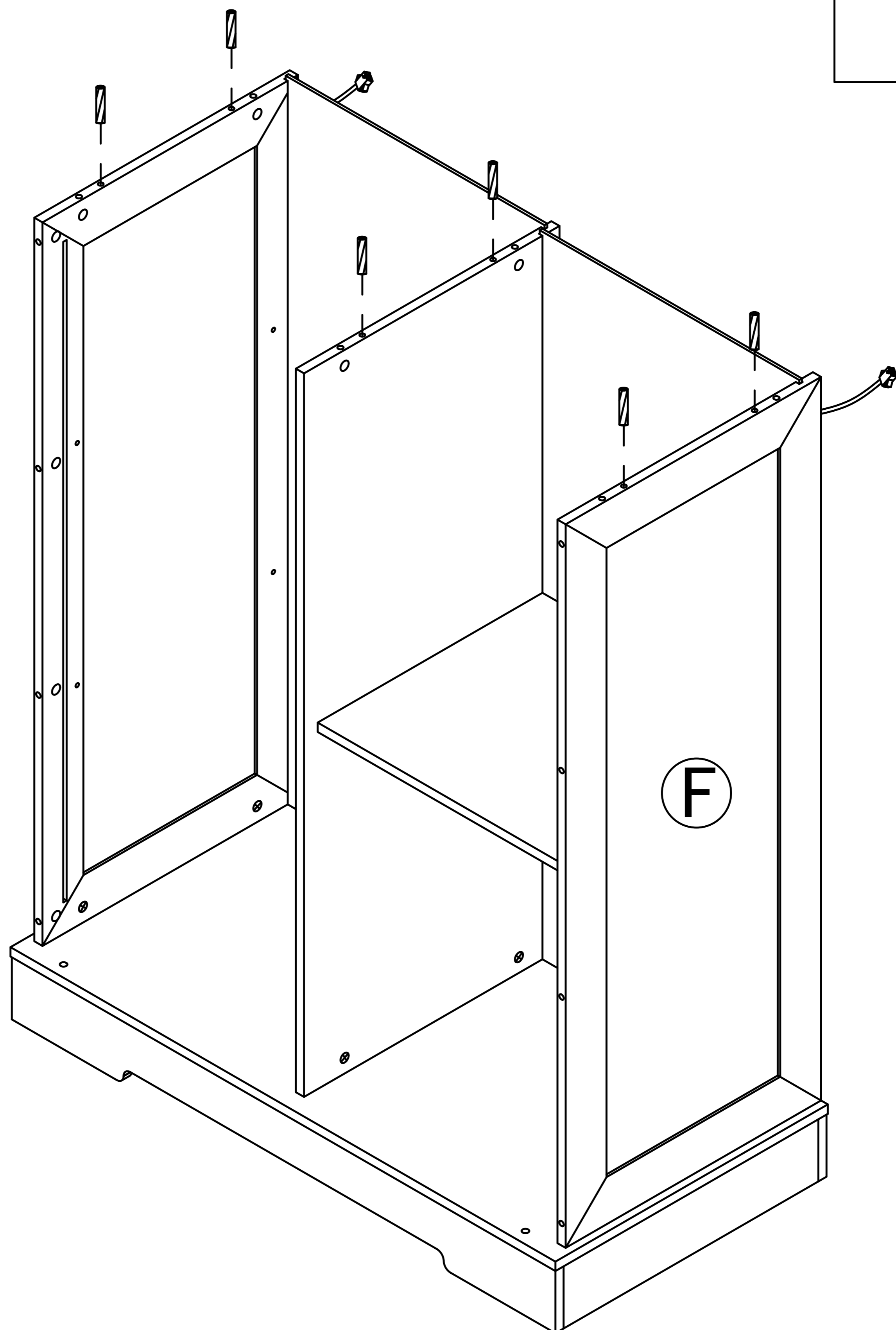


# Step 16



- 1 x6
- 8 x2

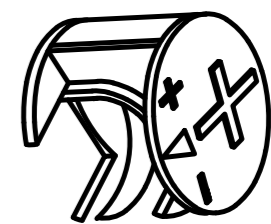
# Step 17



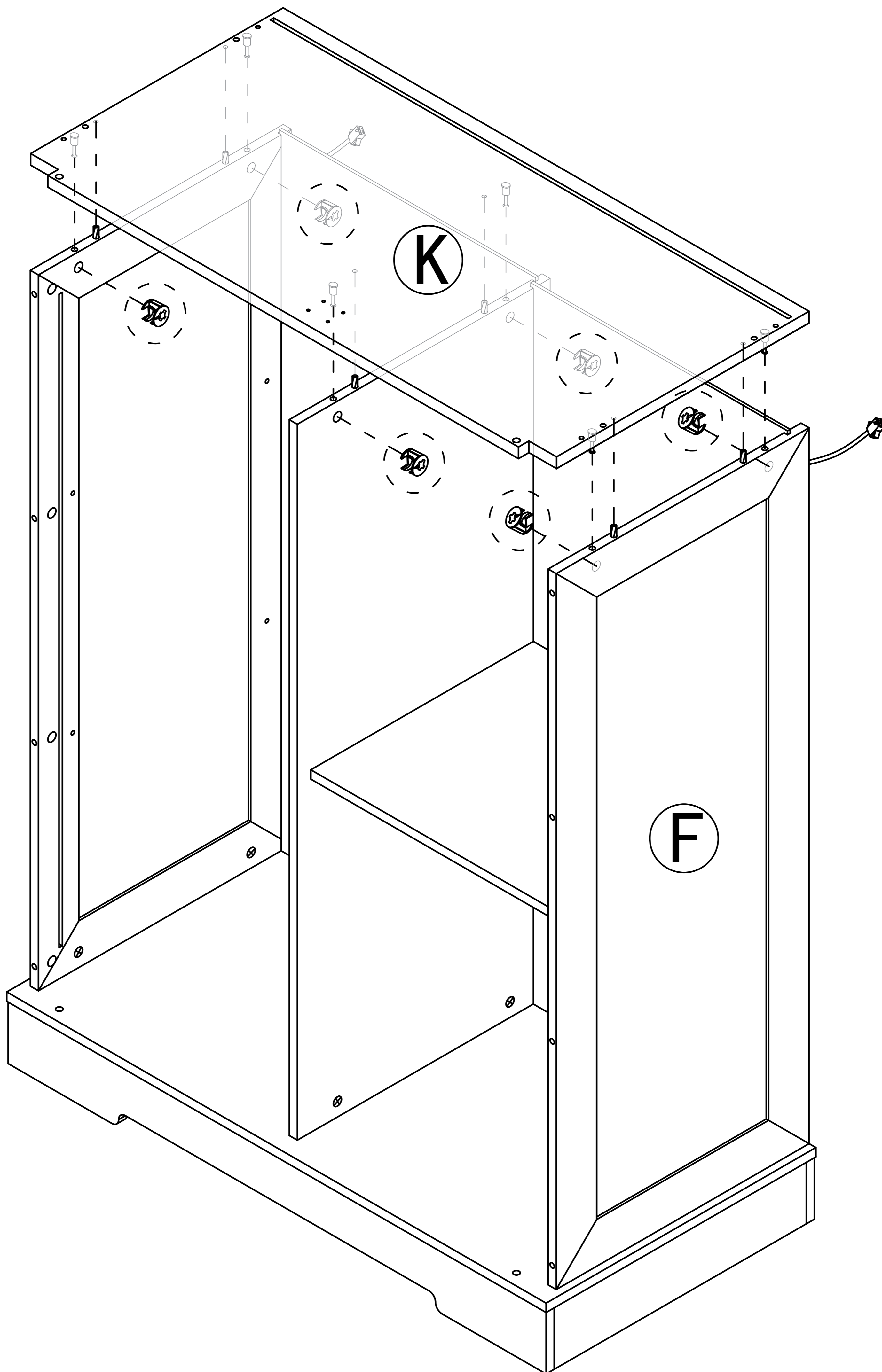
- 3 x6

Step 18

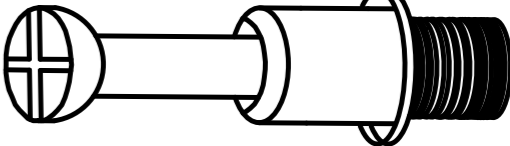

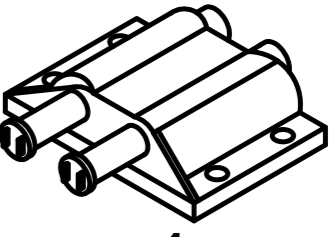
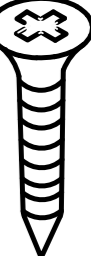
2

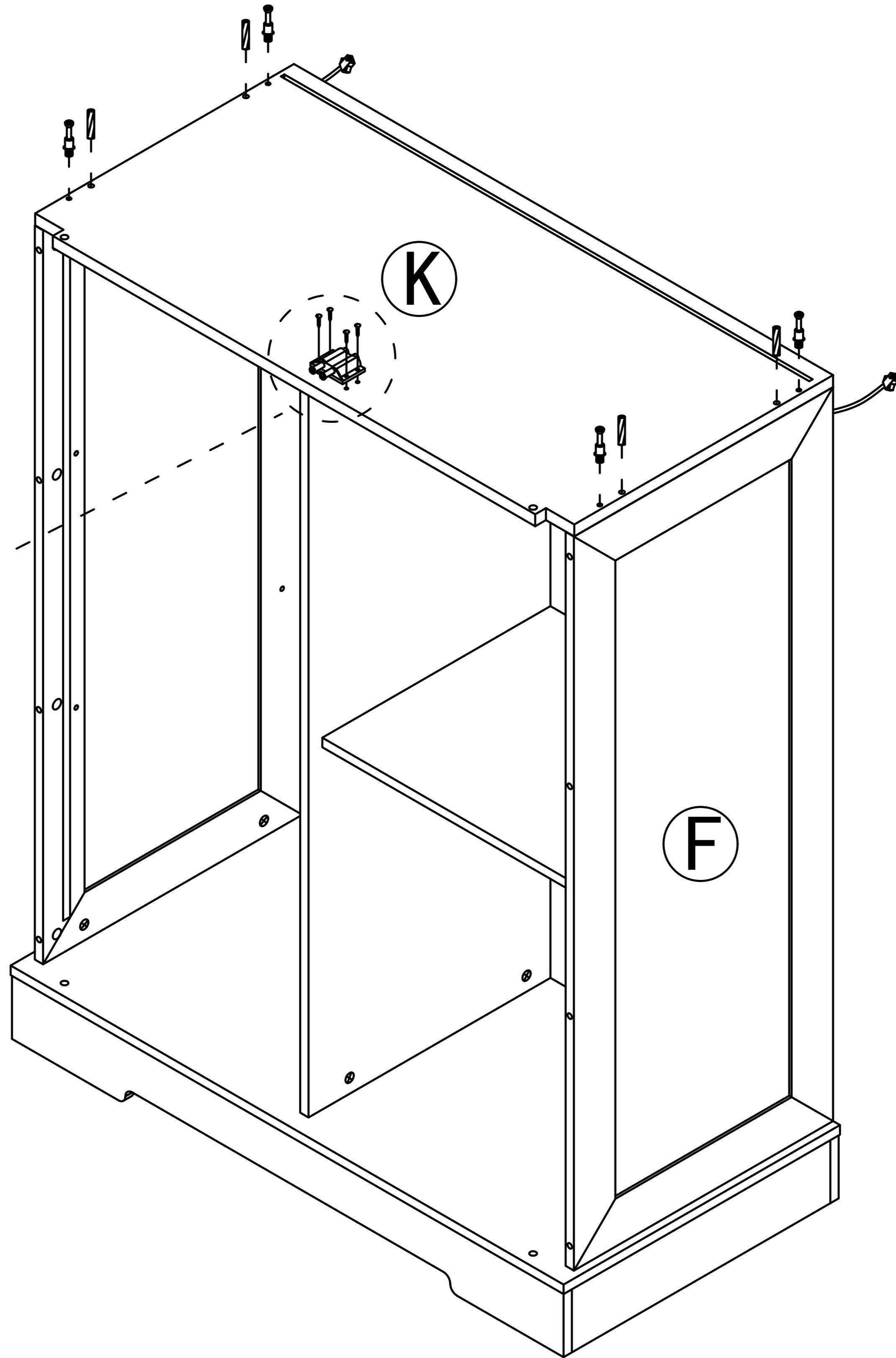
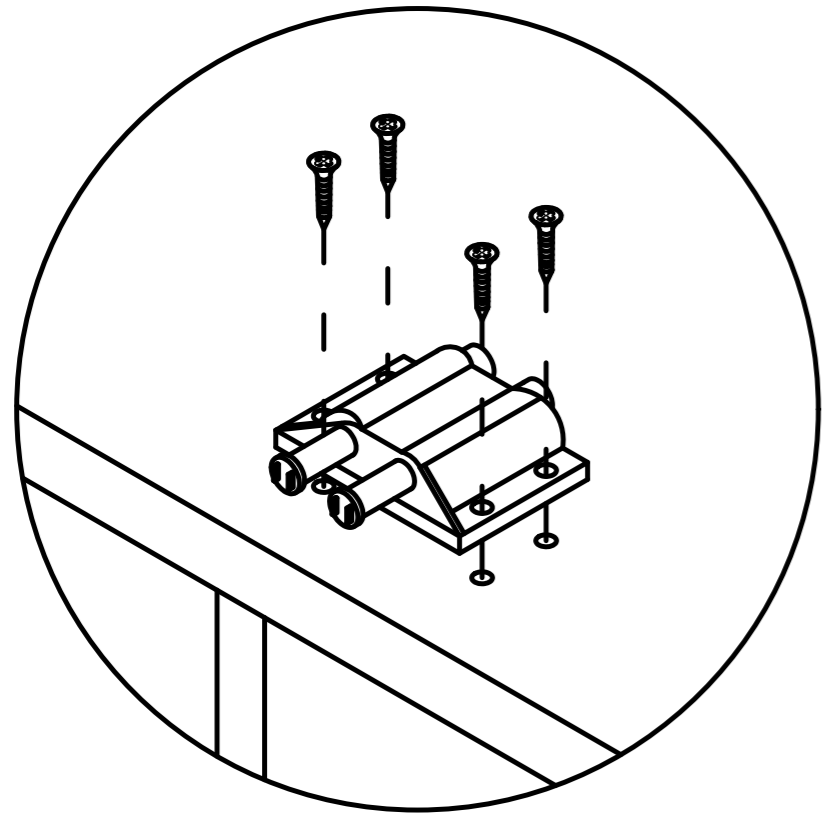


x6

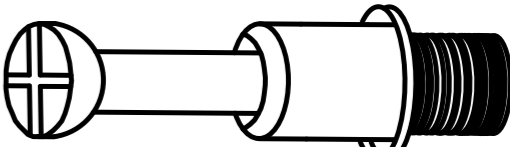


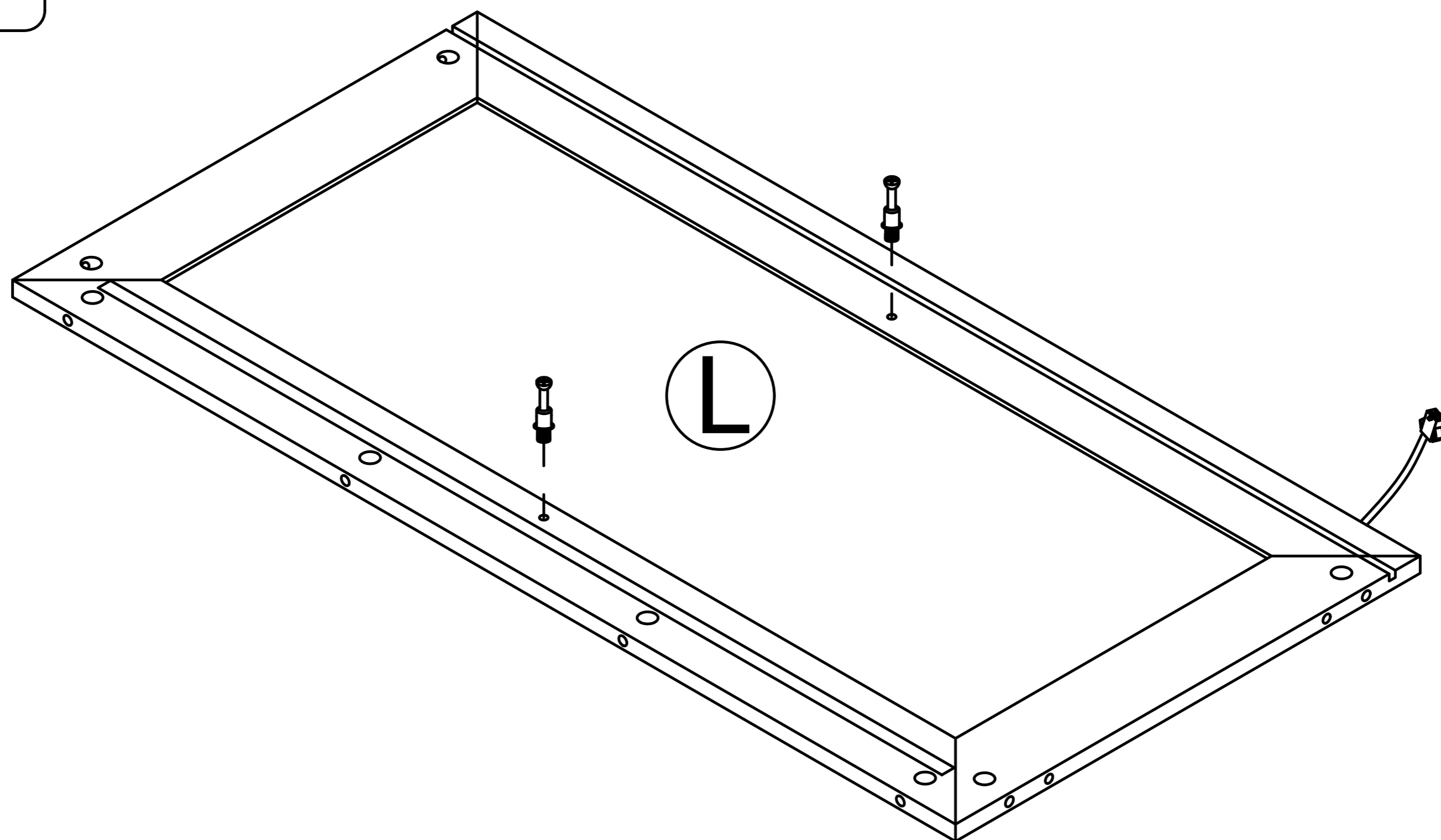
# Step 19

- ①  x4
- ③  x4
- ⑨  x1  x4



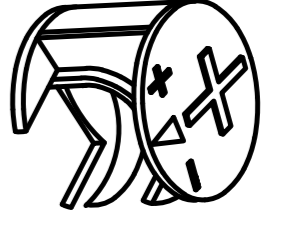
# Step 20

- ①  x2

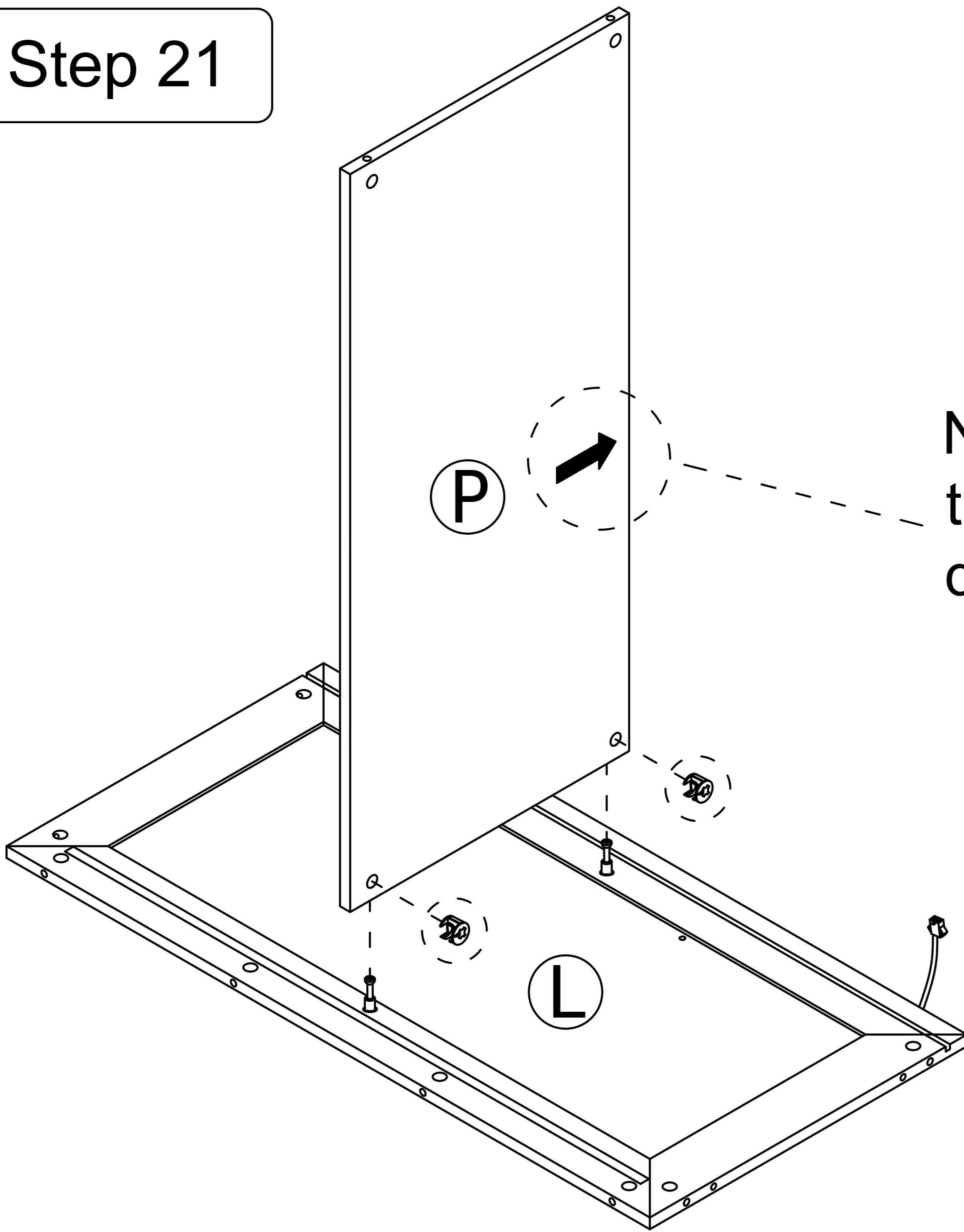


Step 21

2



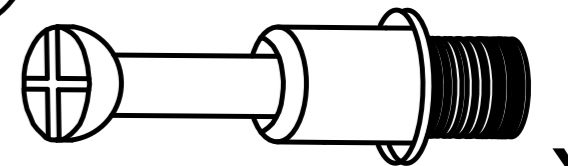
x2



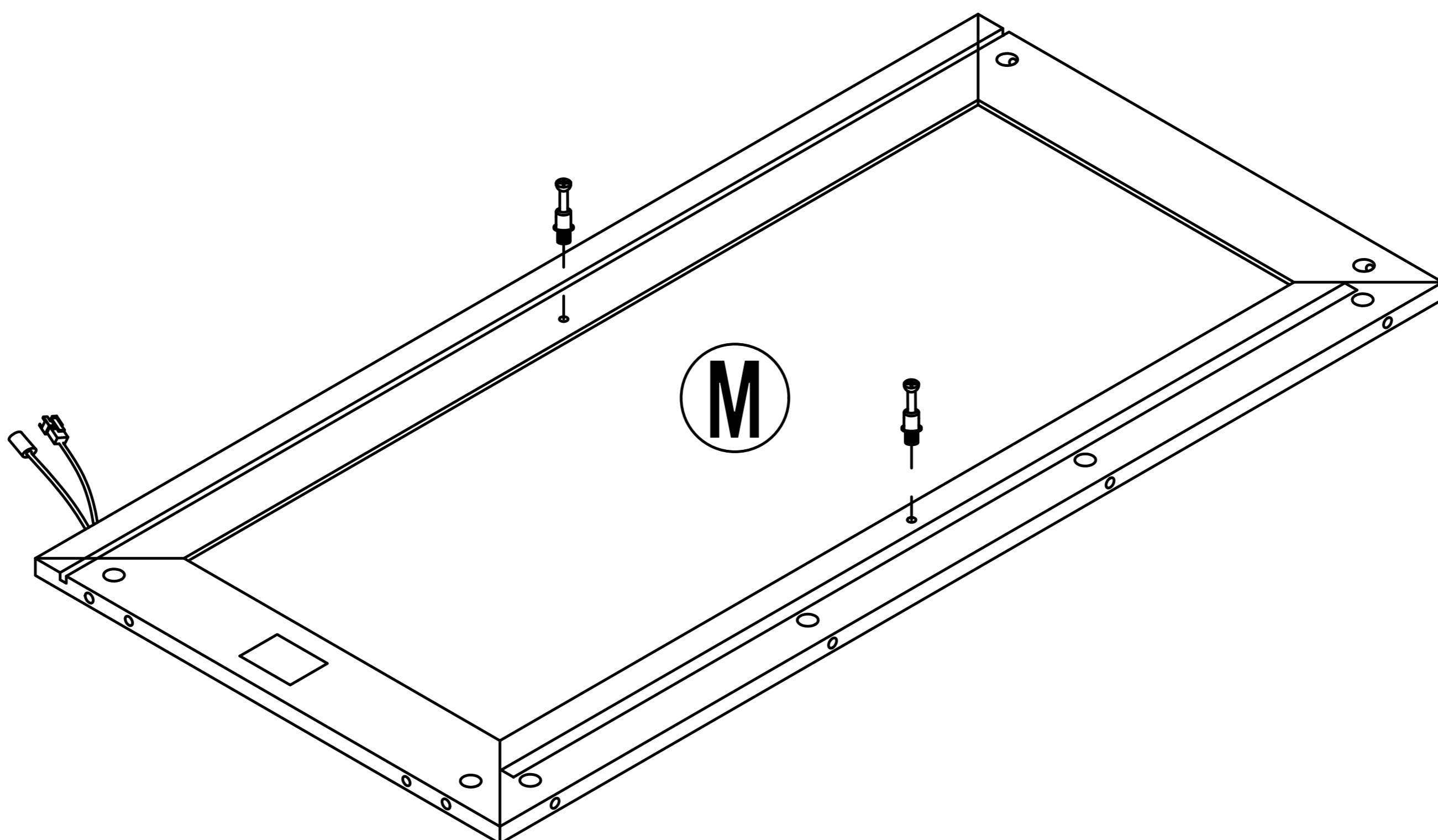
Note: Install according to the arrow on the board, don't install it backwards.

Step 22

1

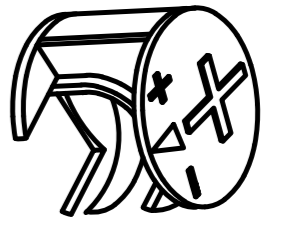


x2

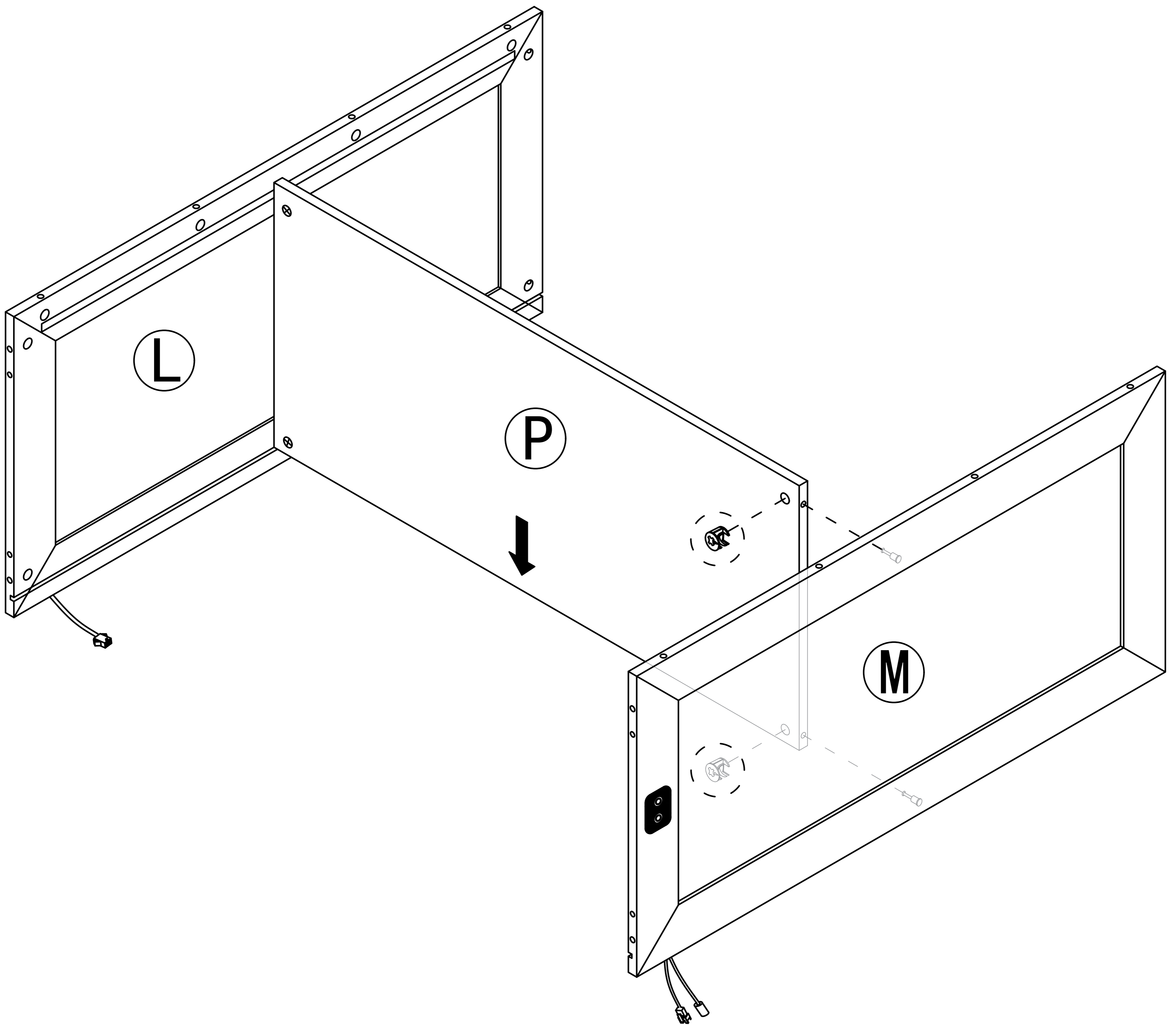


Step 23

2



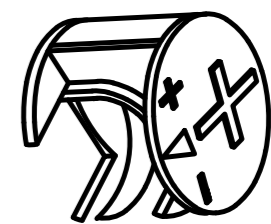
x2



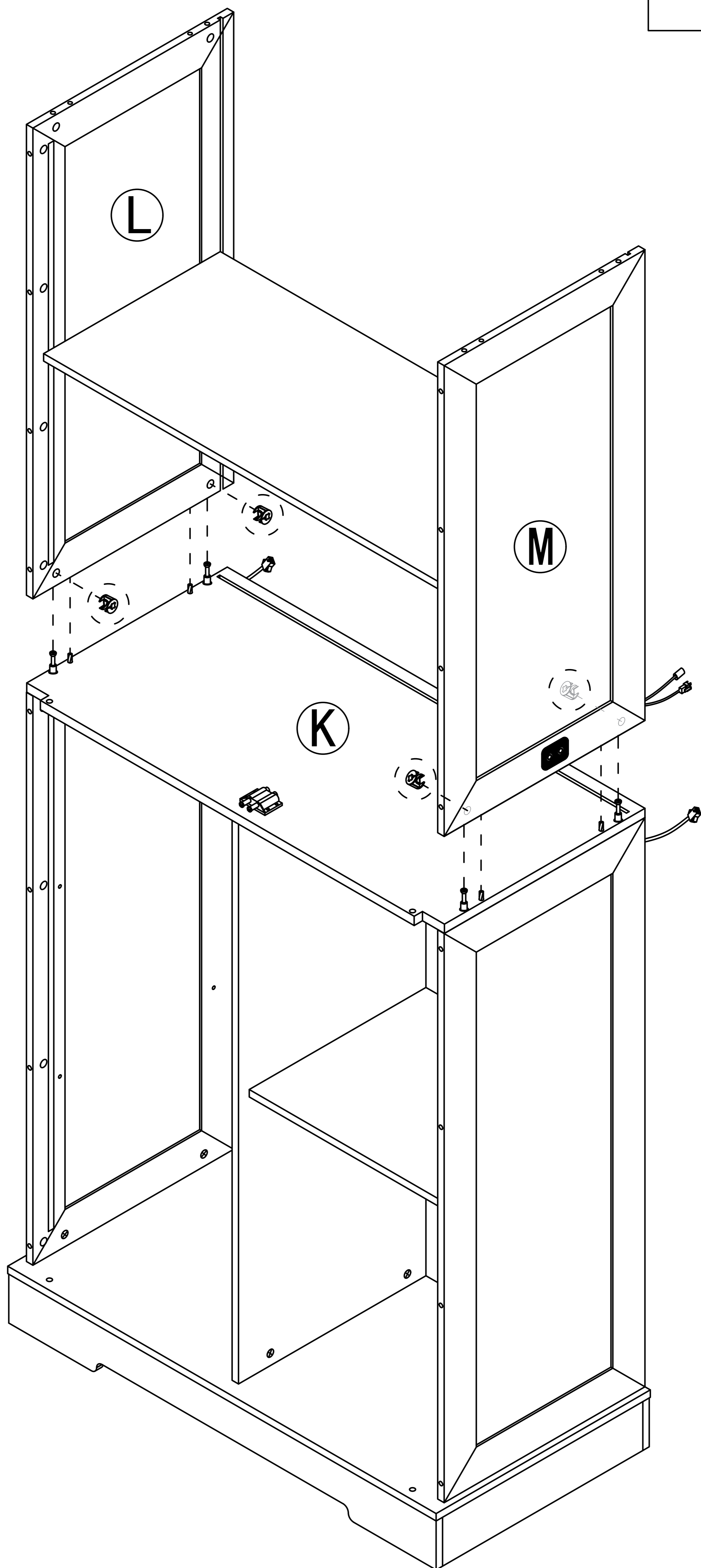
Attention: Don't press the lamp wire.

Step 24


2

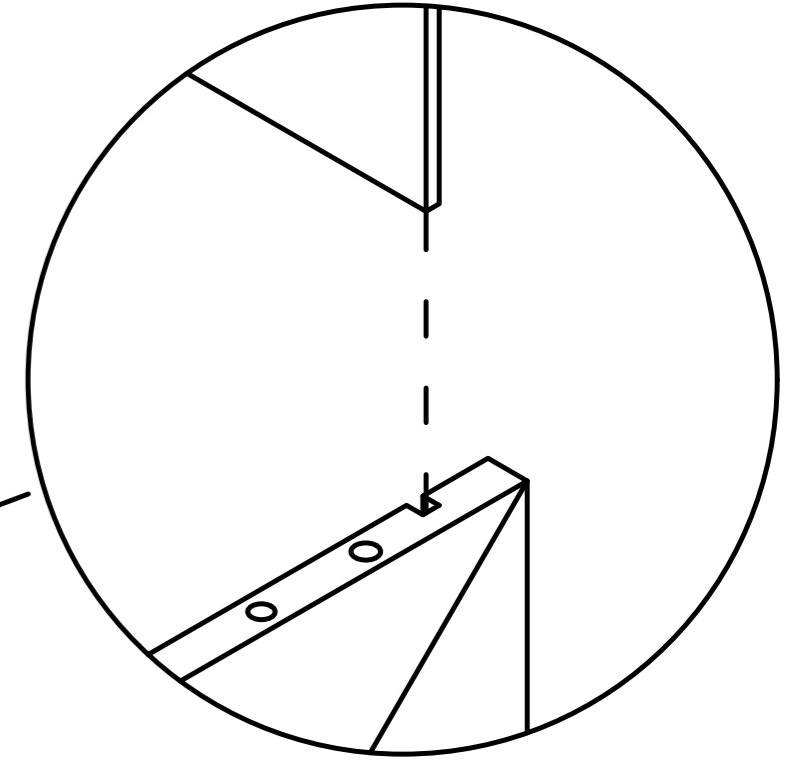
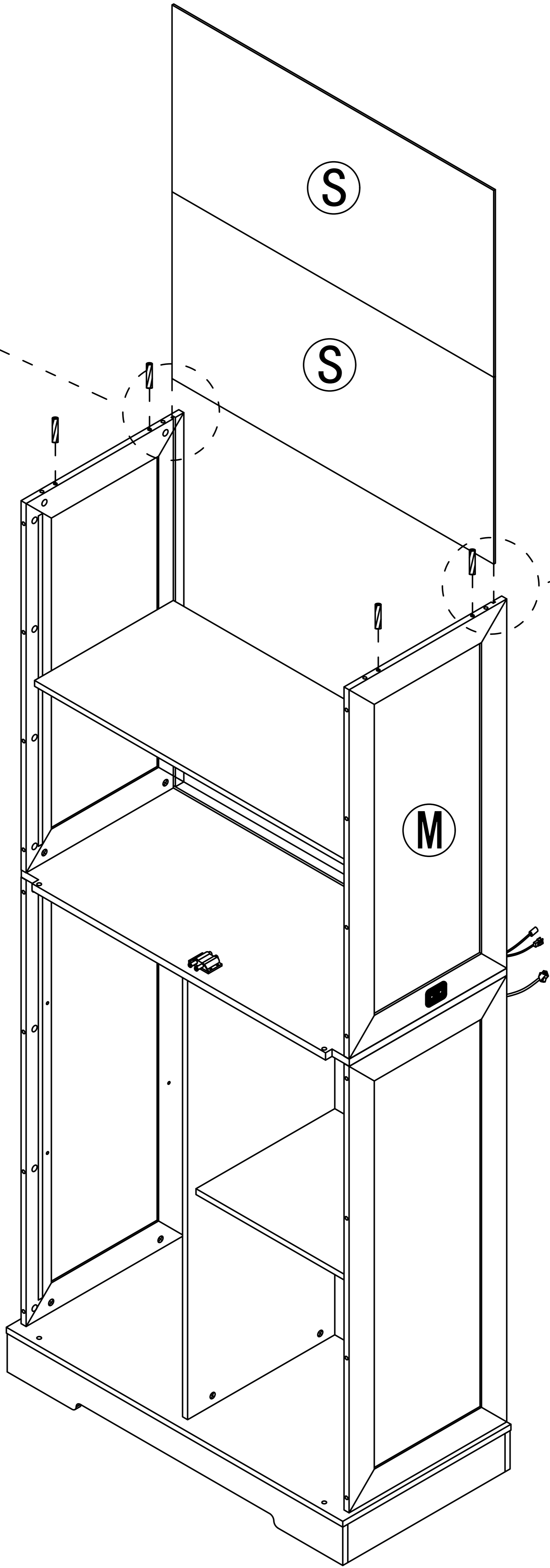
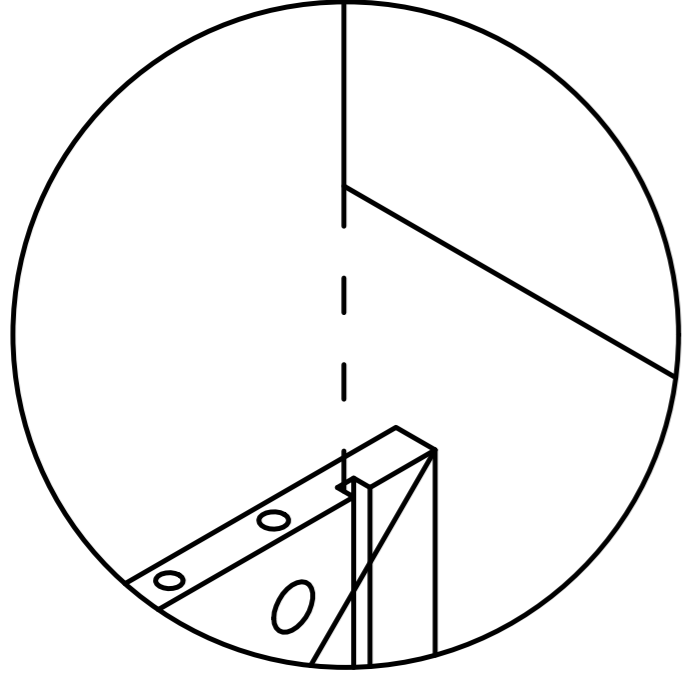


x4

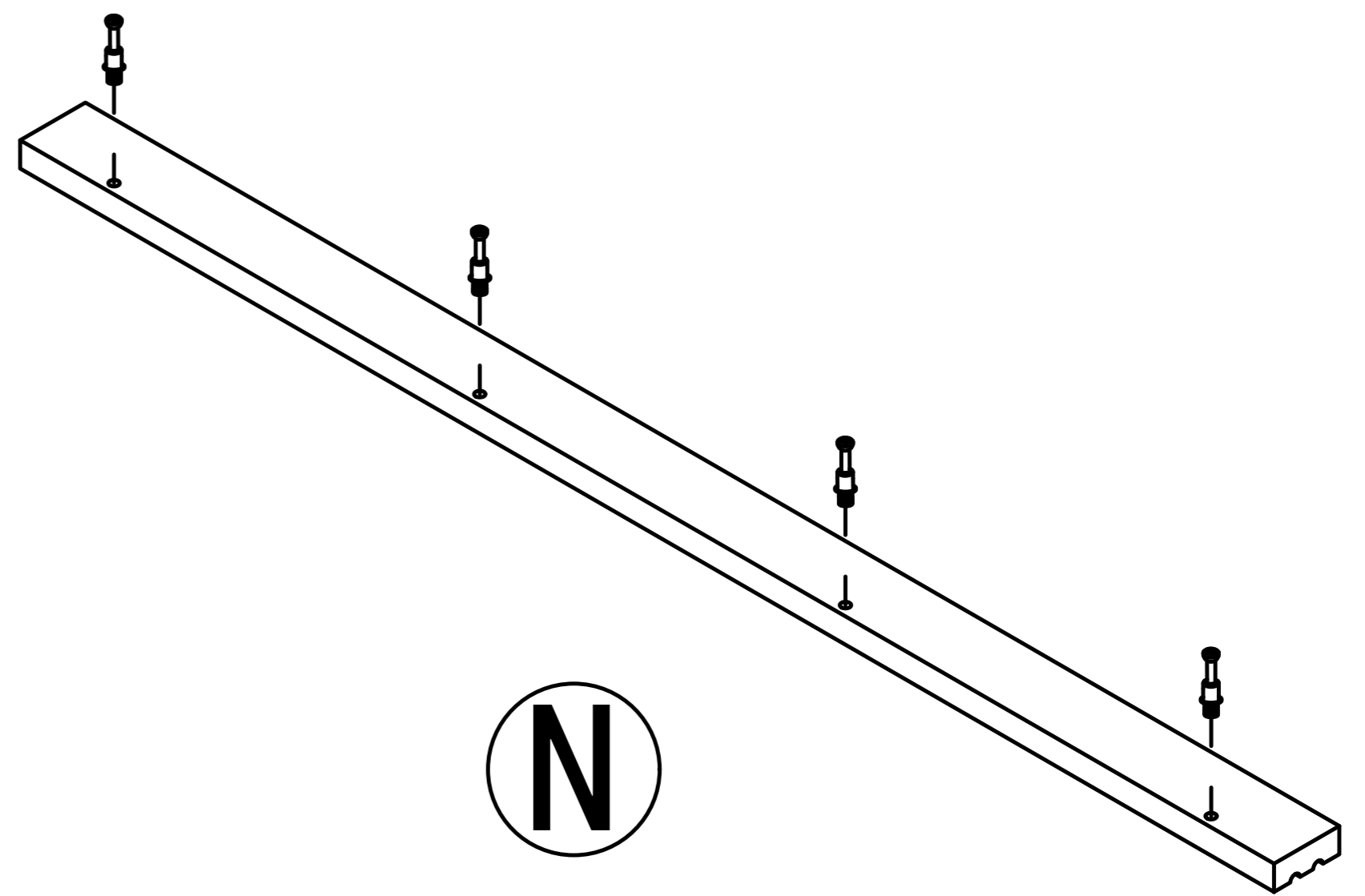
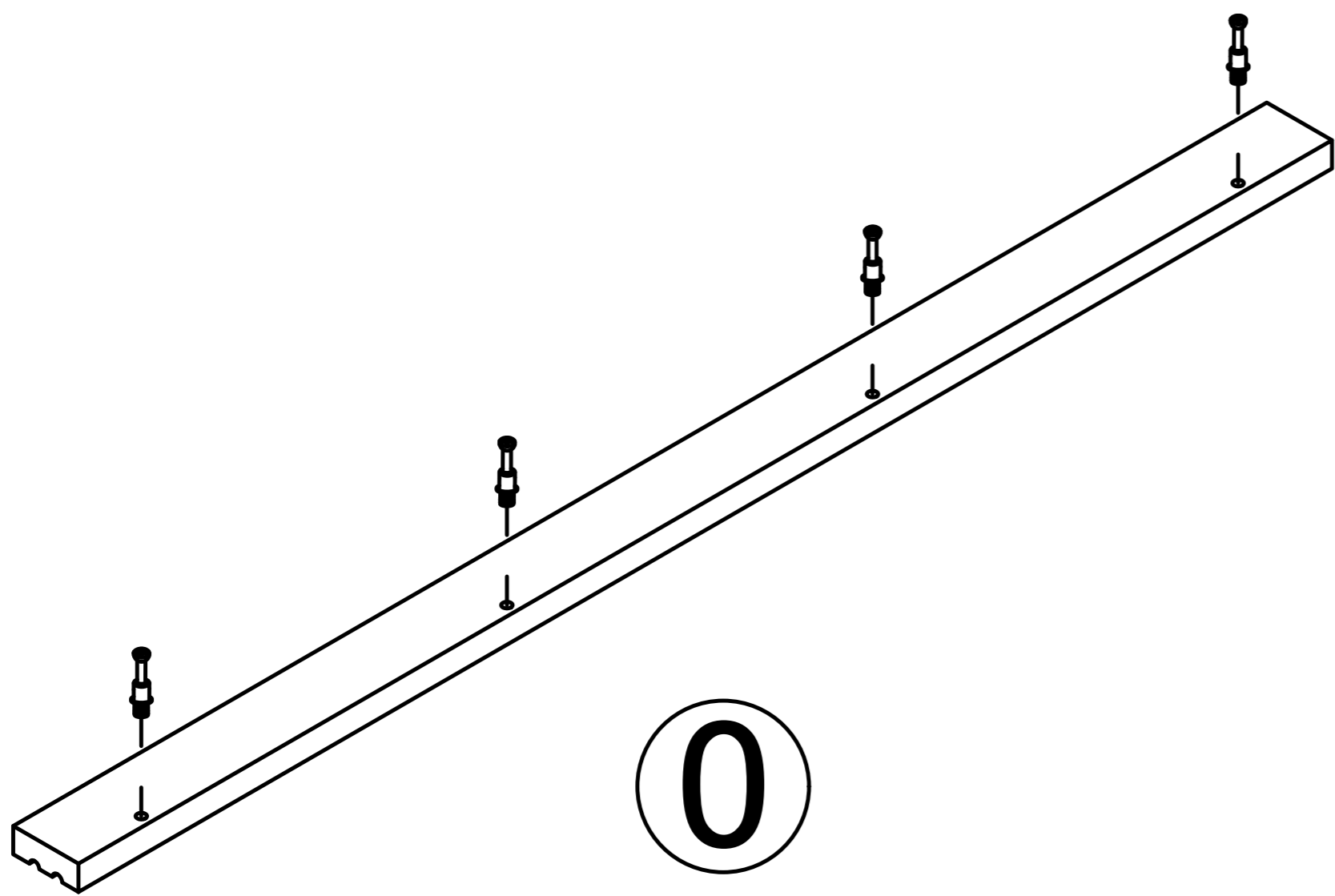
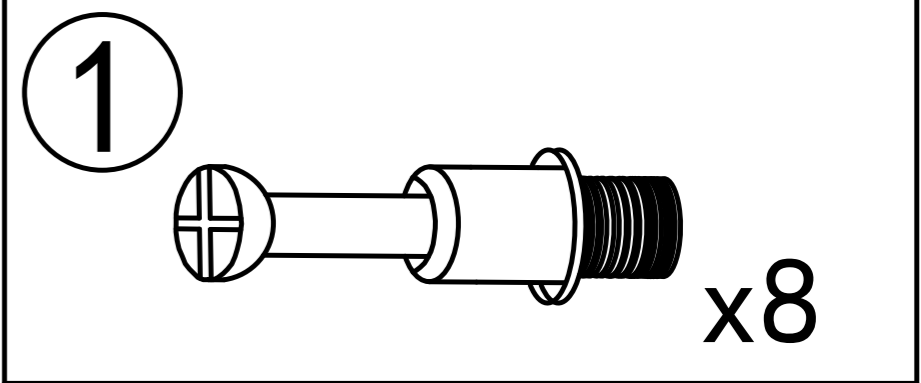


Step 25

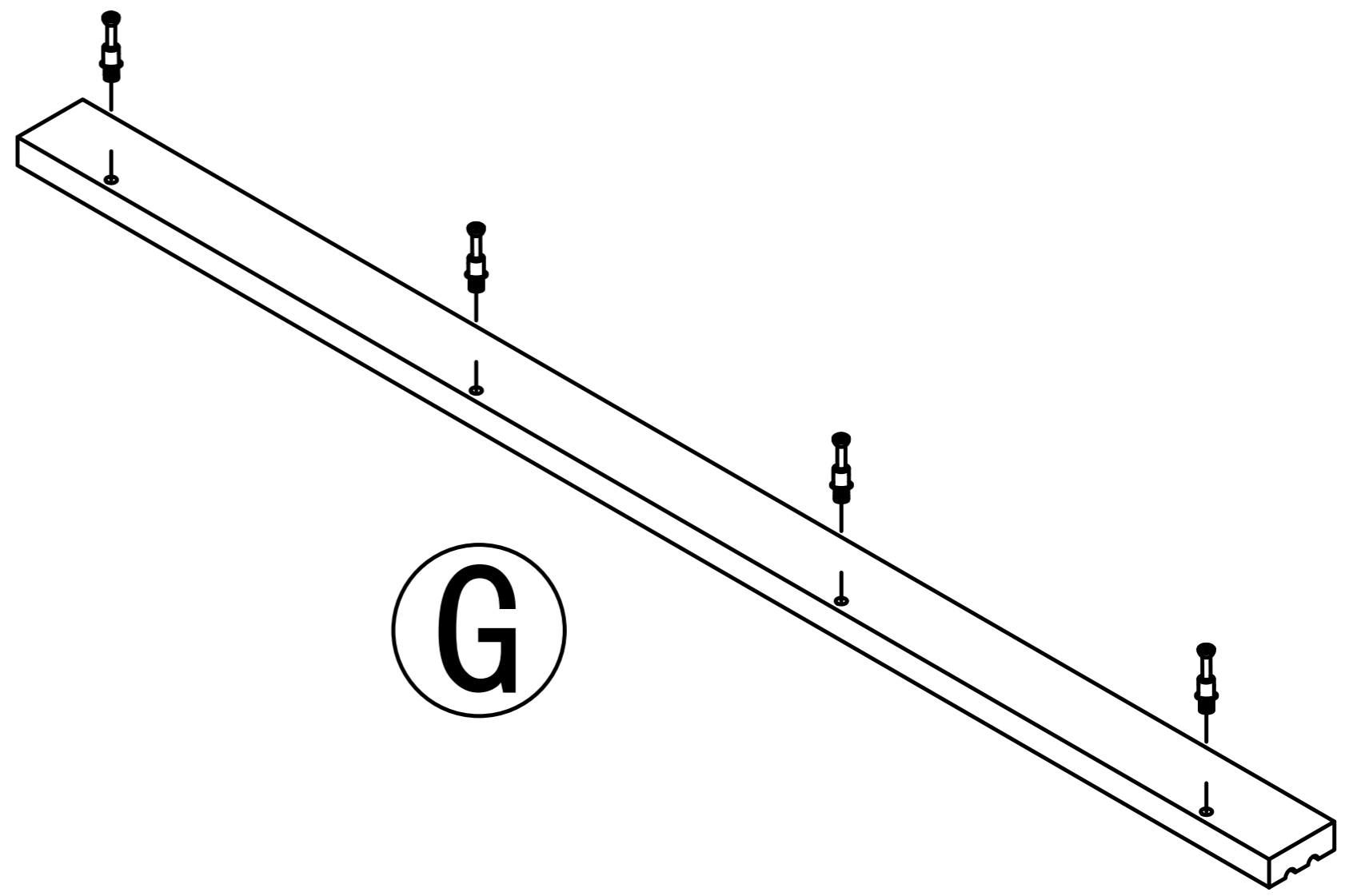
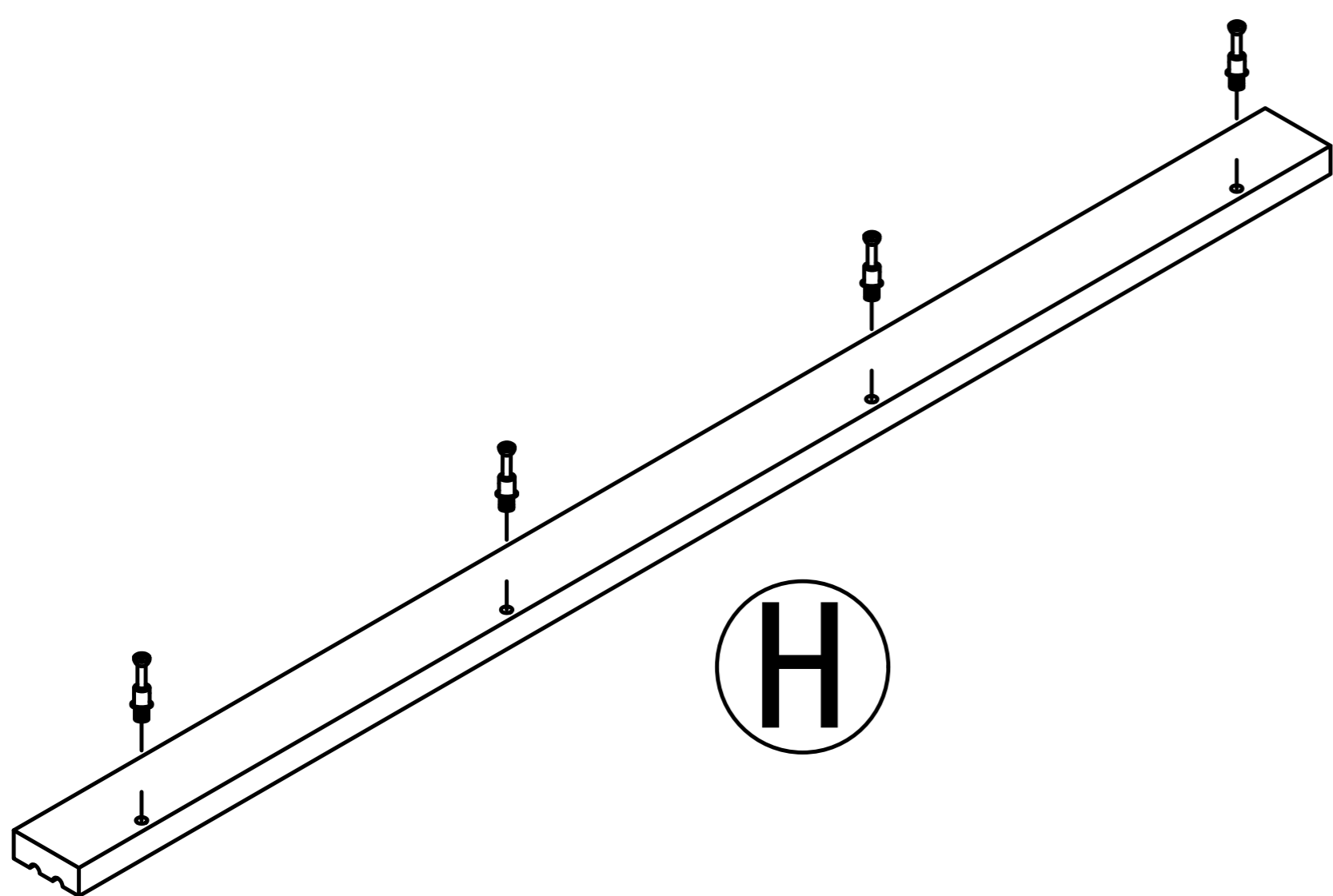
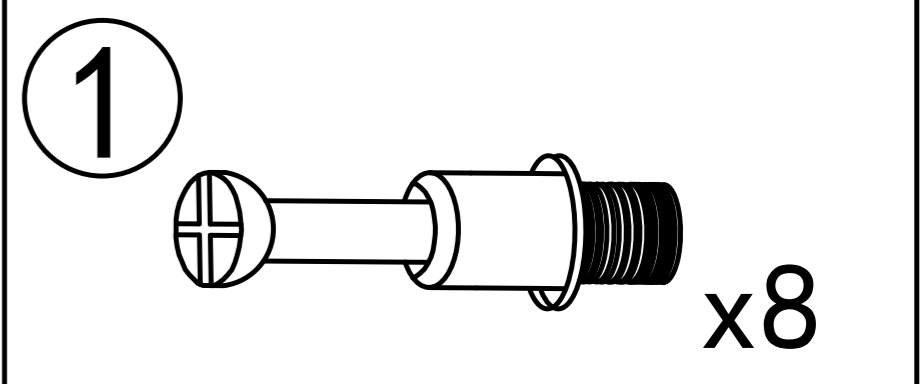
3  x4



Step 26

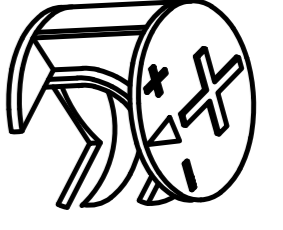


Step 27

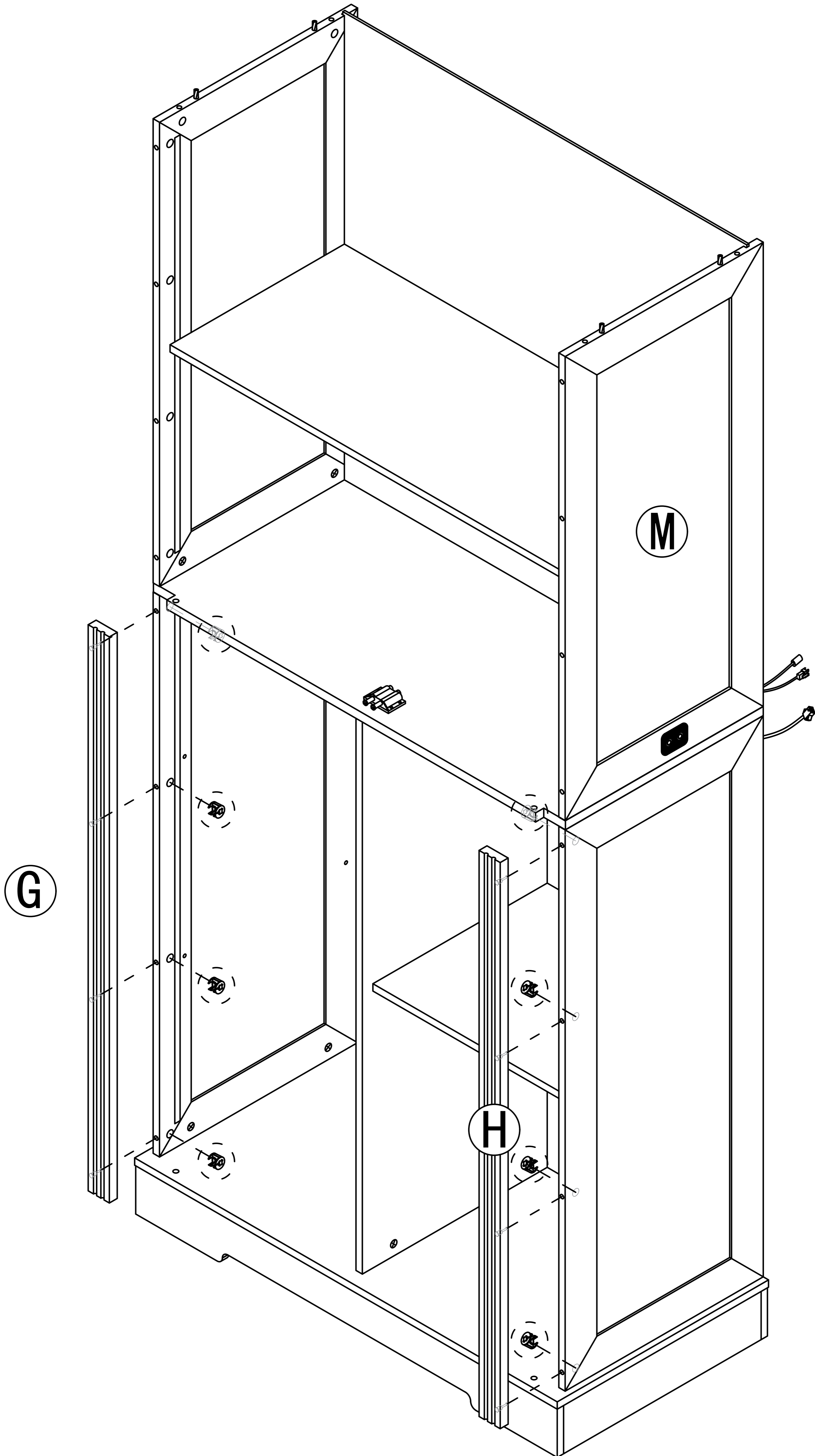


Step 28

2

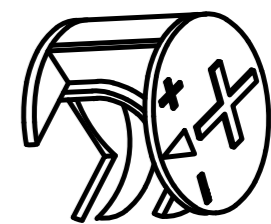


x8

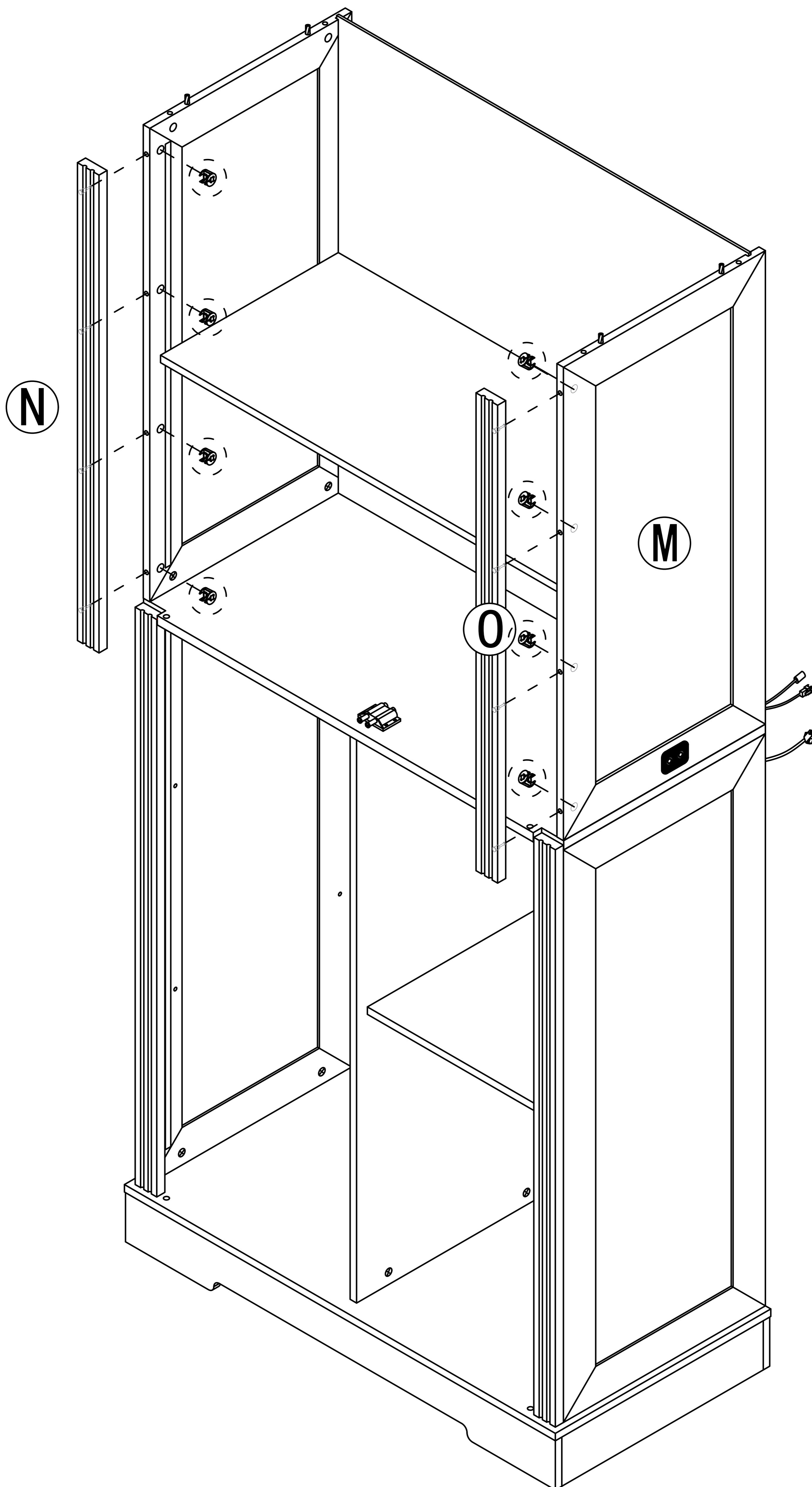


Step 29

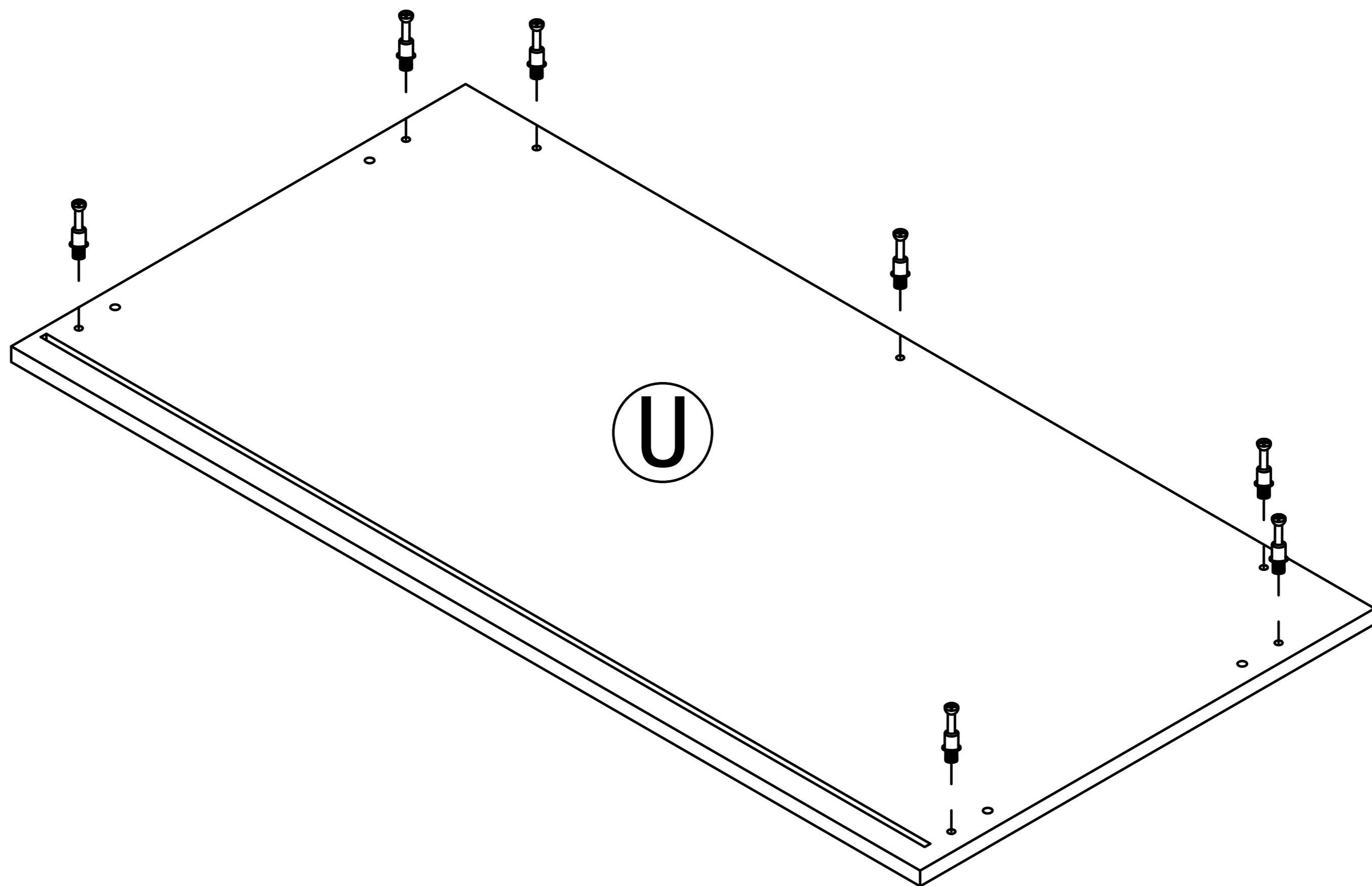
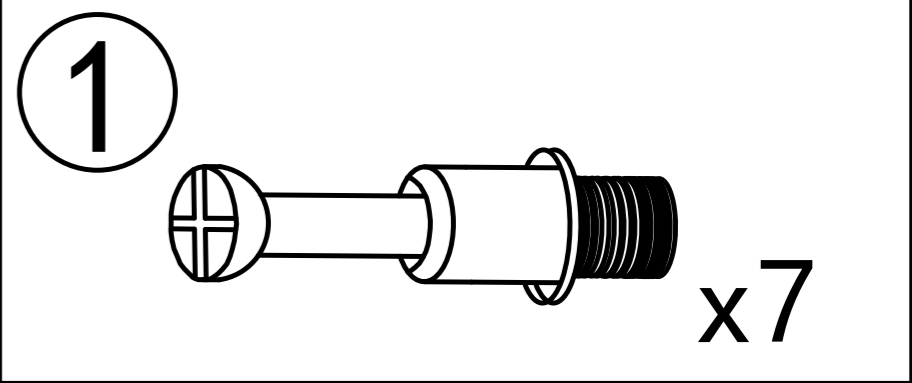
2



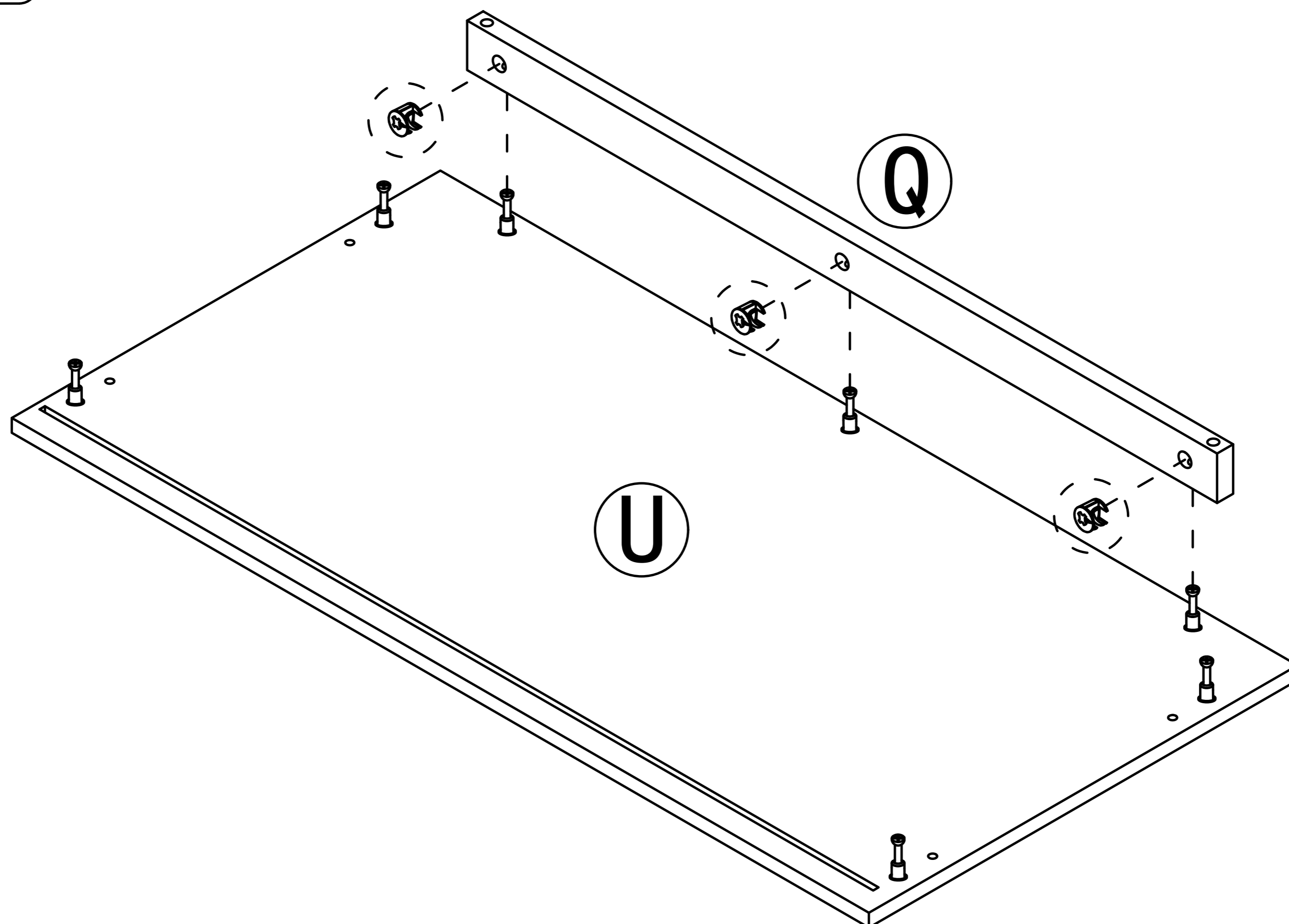
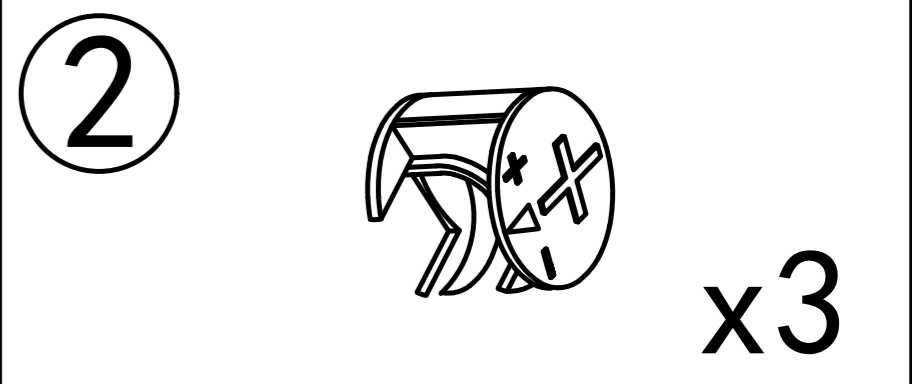
x8



Step 30

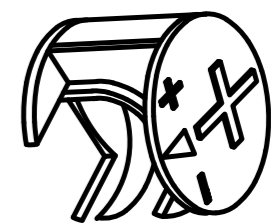


Step 31

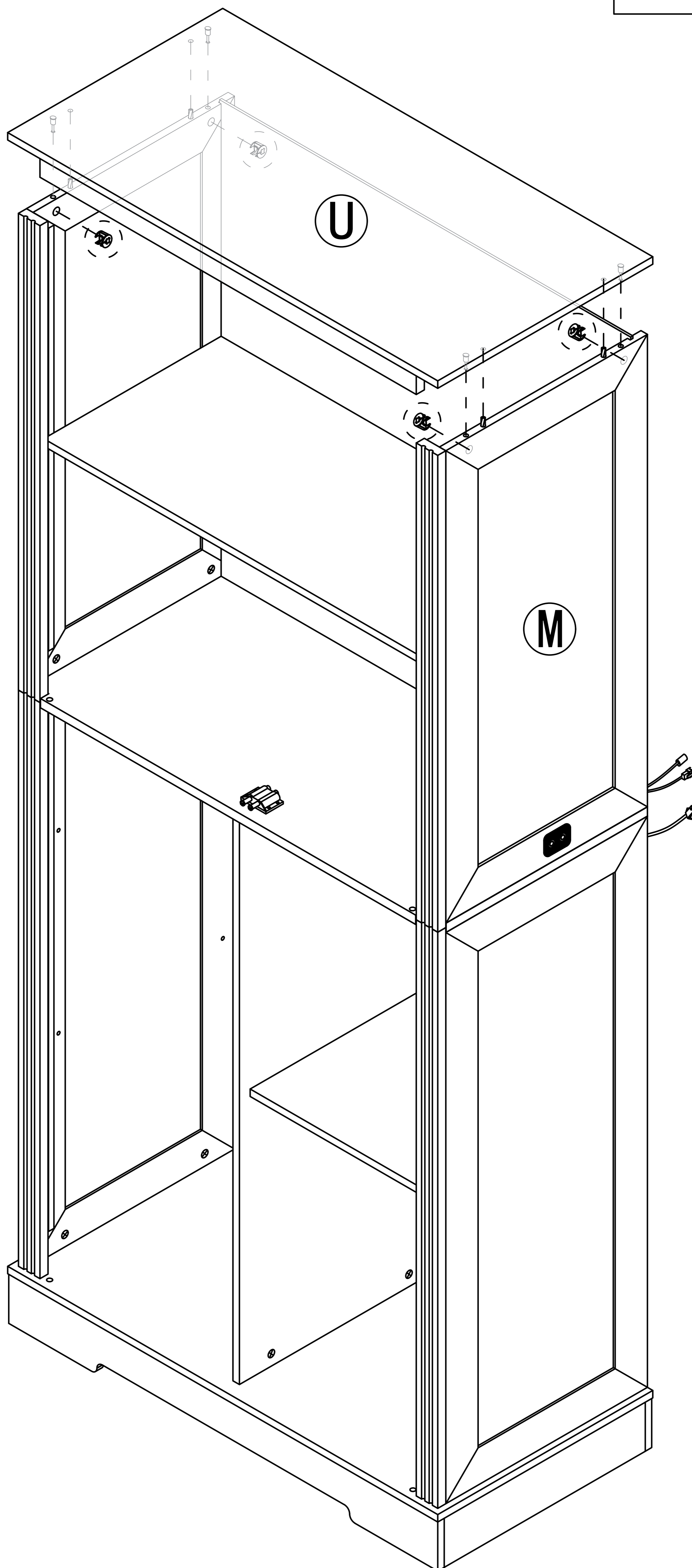


Step 32

2

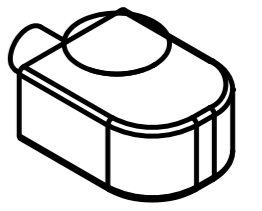


x4

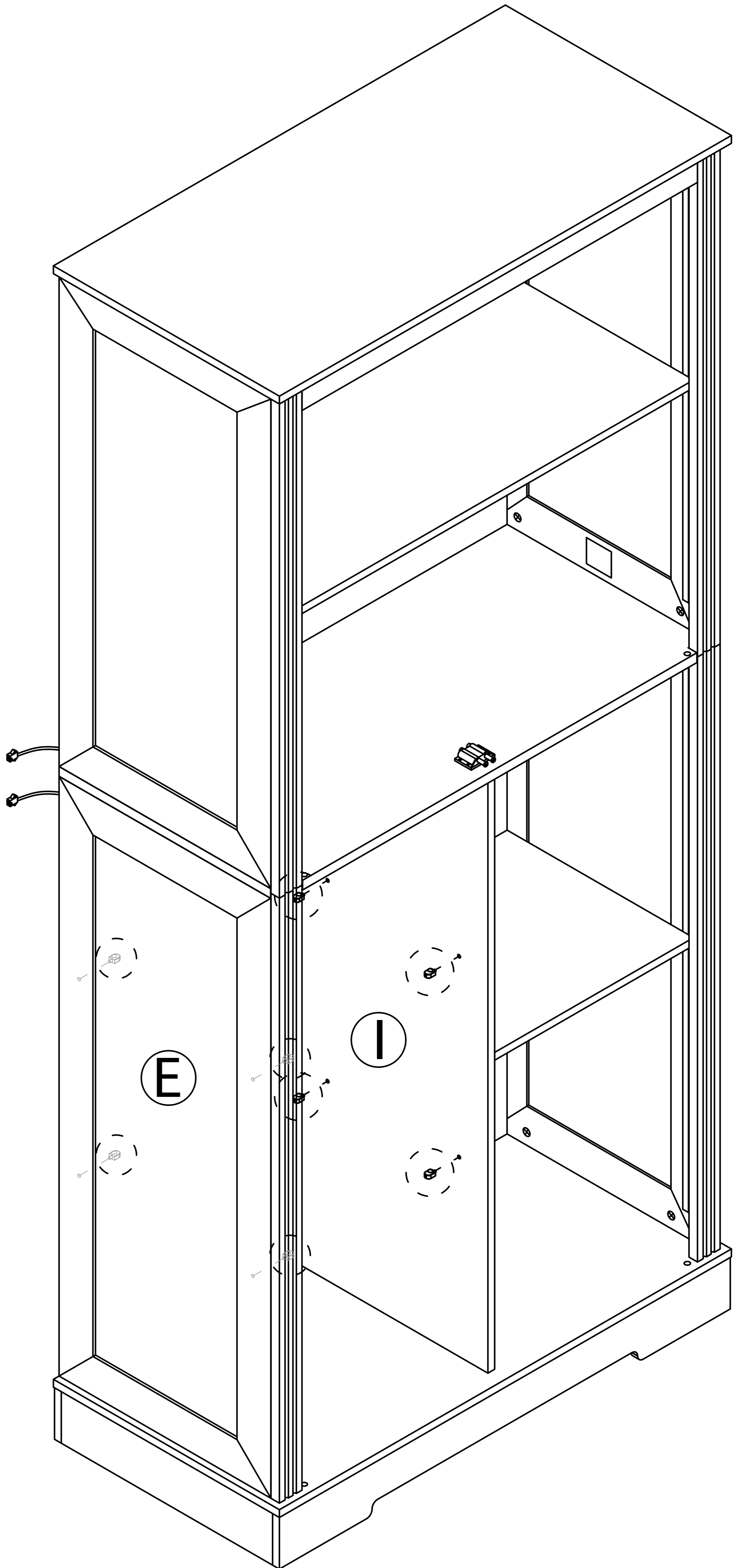
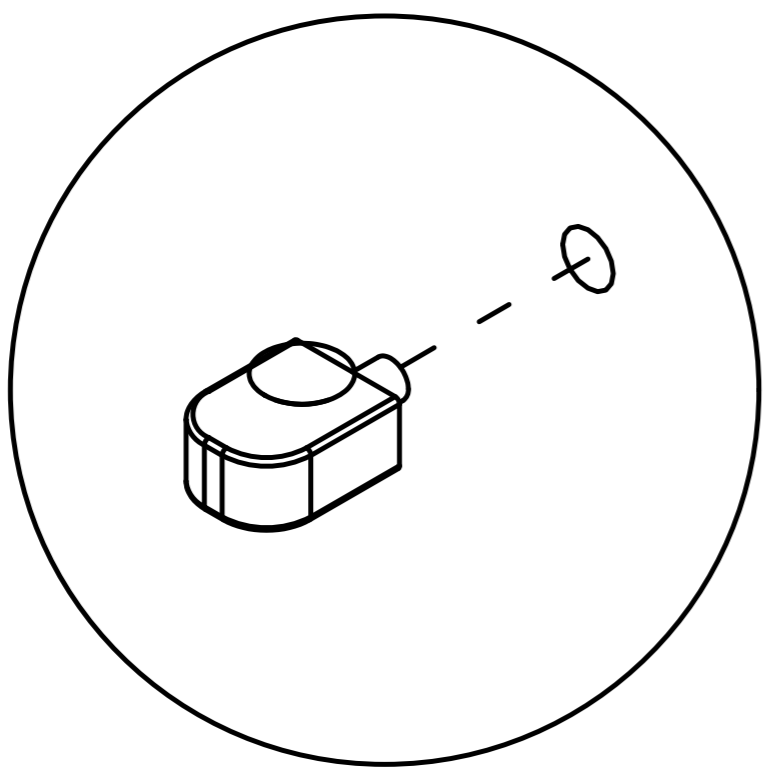


Step 33

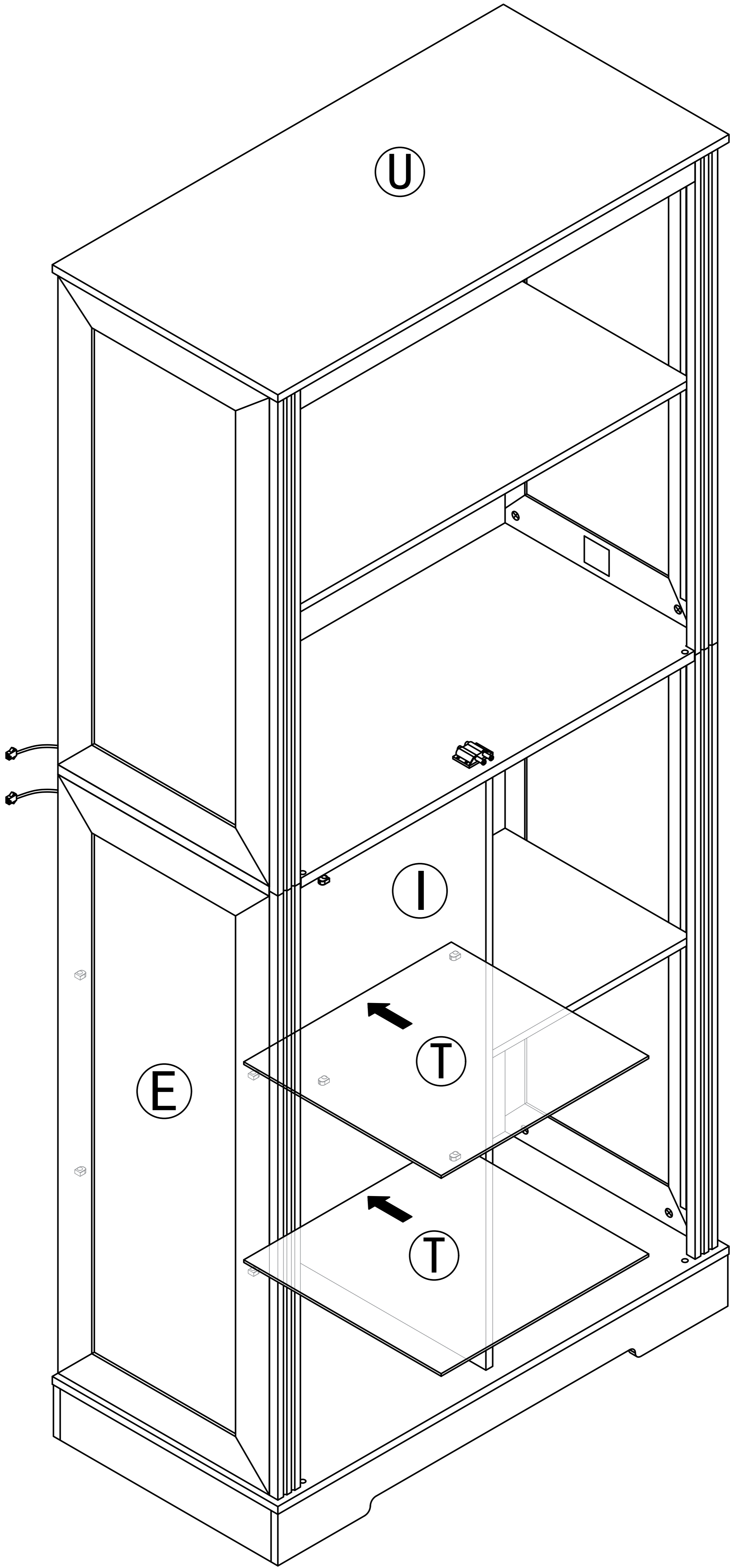
10



x8

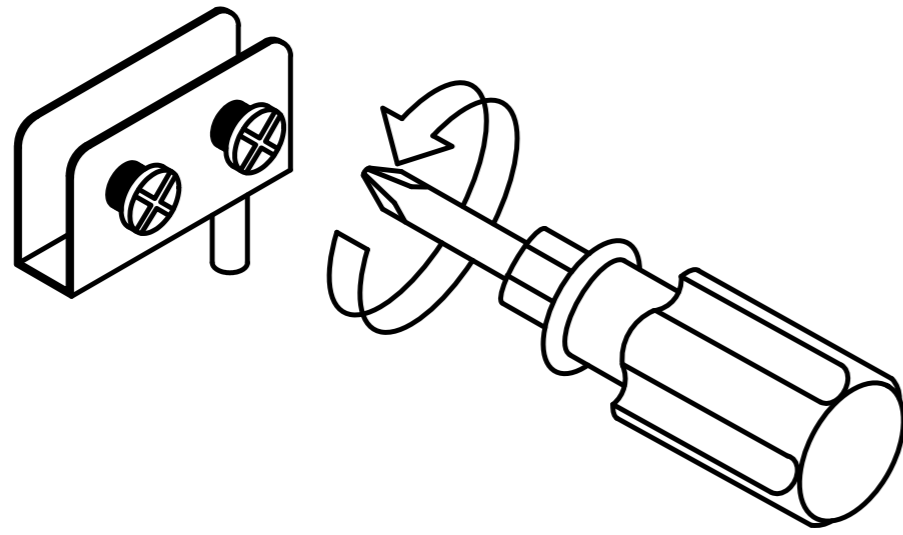


Step 34

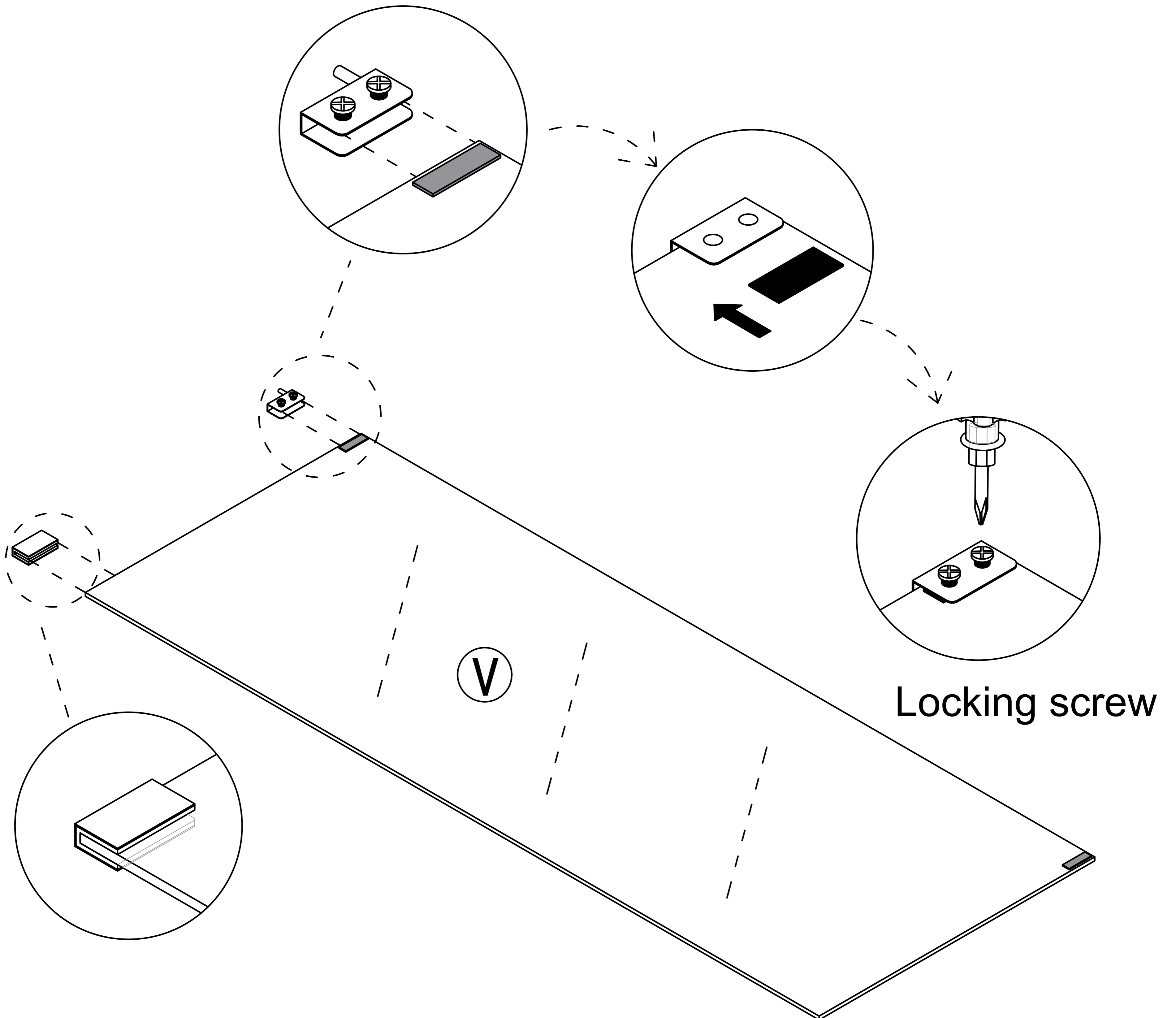
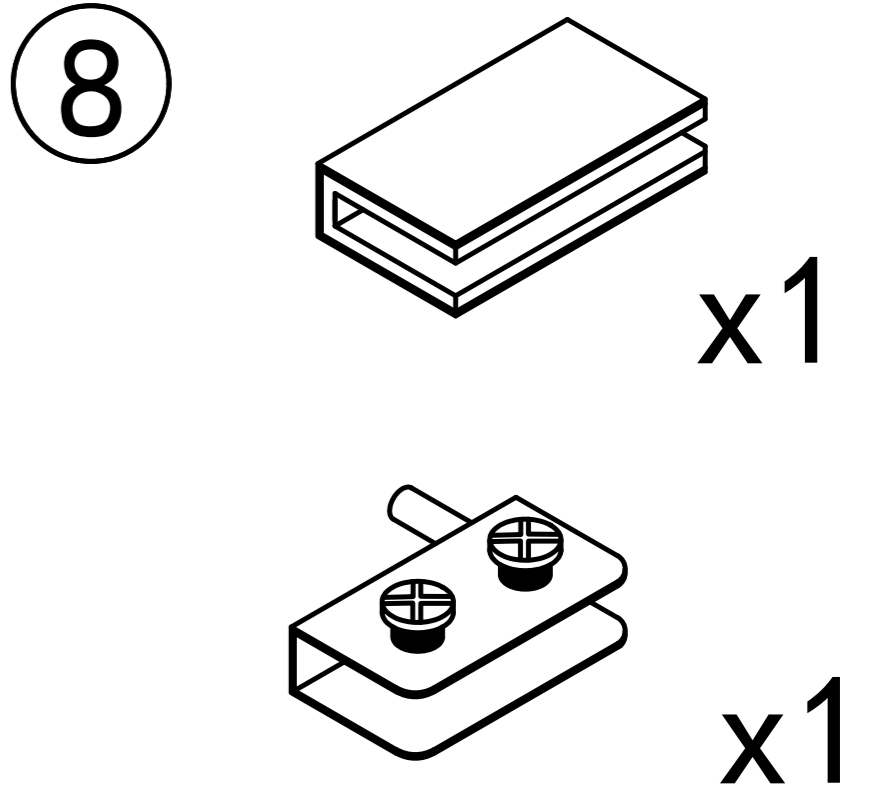
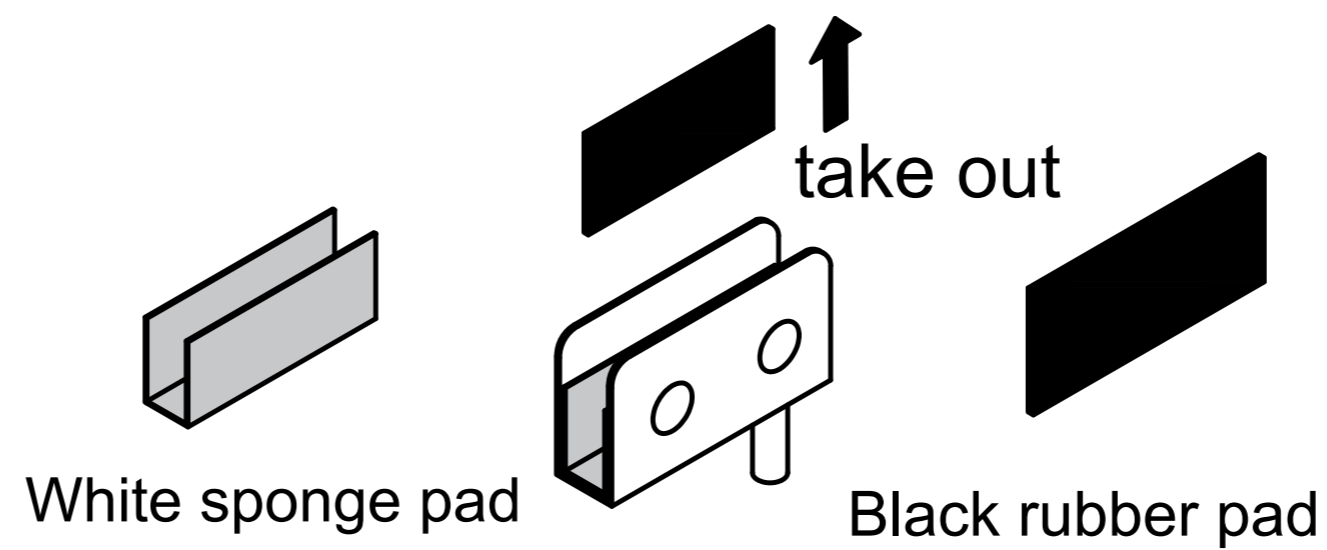


## Step 35

First, completely unscrew the screws on the parts



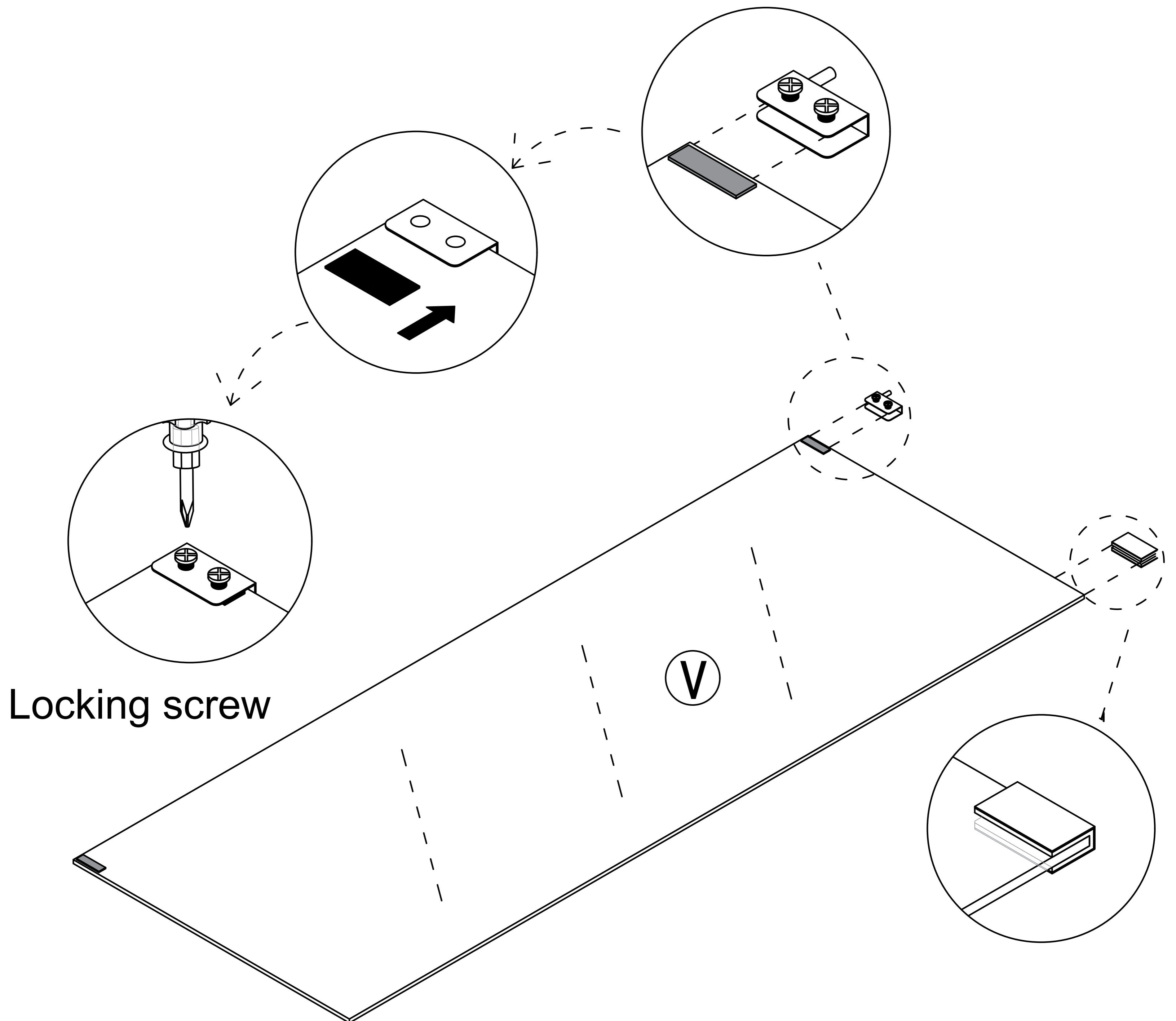
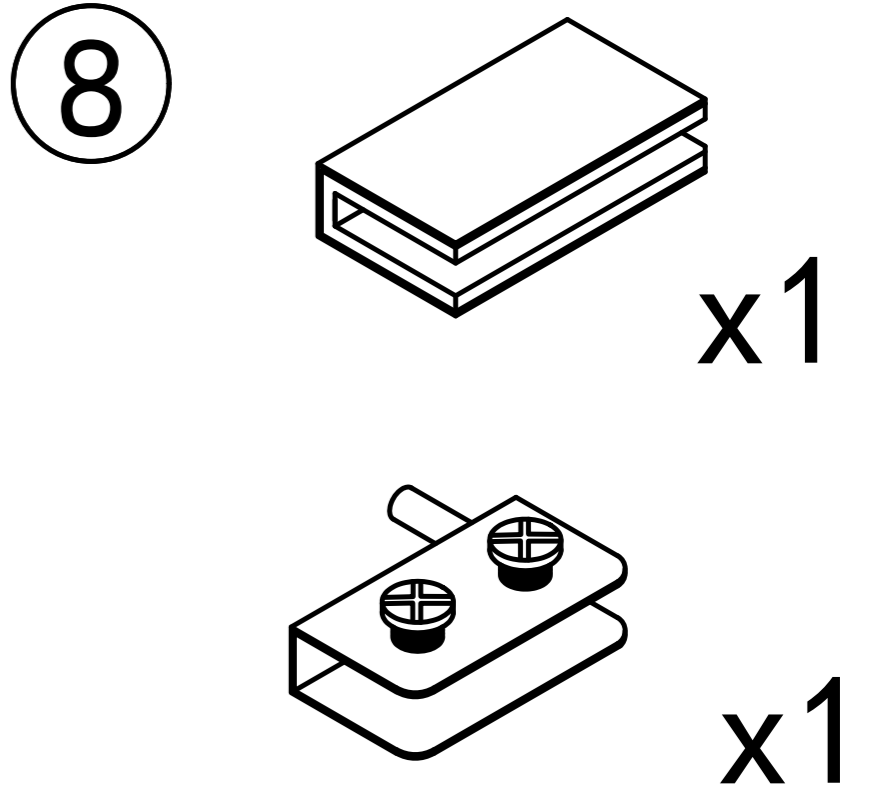
Then take out the black rubber pad from the inside of the part, and the white sponge remains unchanged inside the part.



Pay attention to the direction of the door hinge, rotate the screws to compress the black gasket, and do not place it in the opposite direction

Place the black gasket on the side where the screws are installed

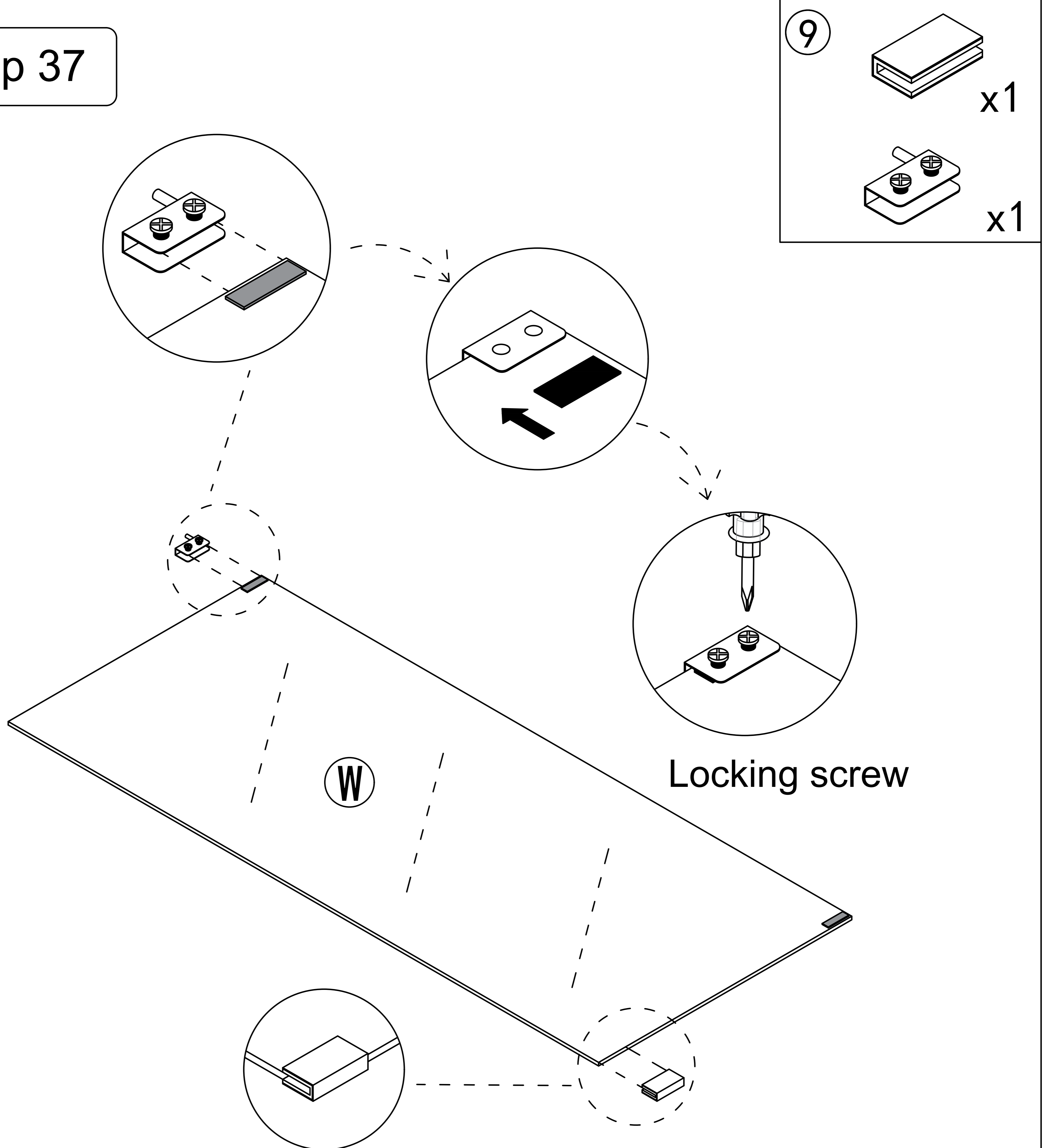
# Step 36



Pay attention to the direction of the door hinge, rotate the screws to compress the black gasket, and do not place it in the opposite direction

Place the black gasket on the side where the screws are installed

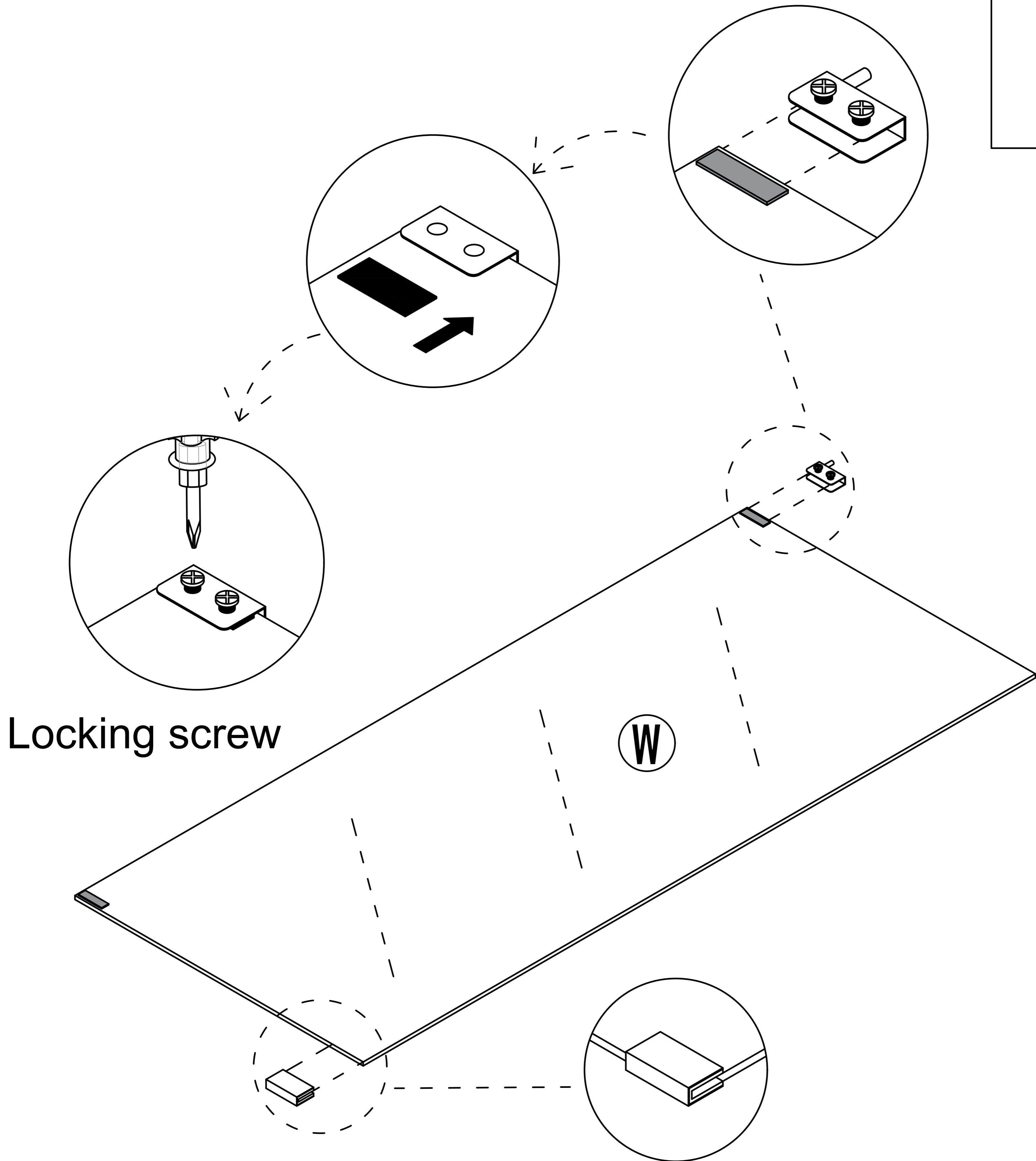
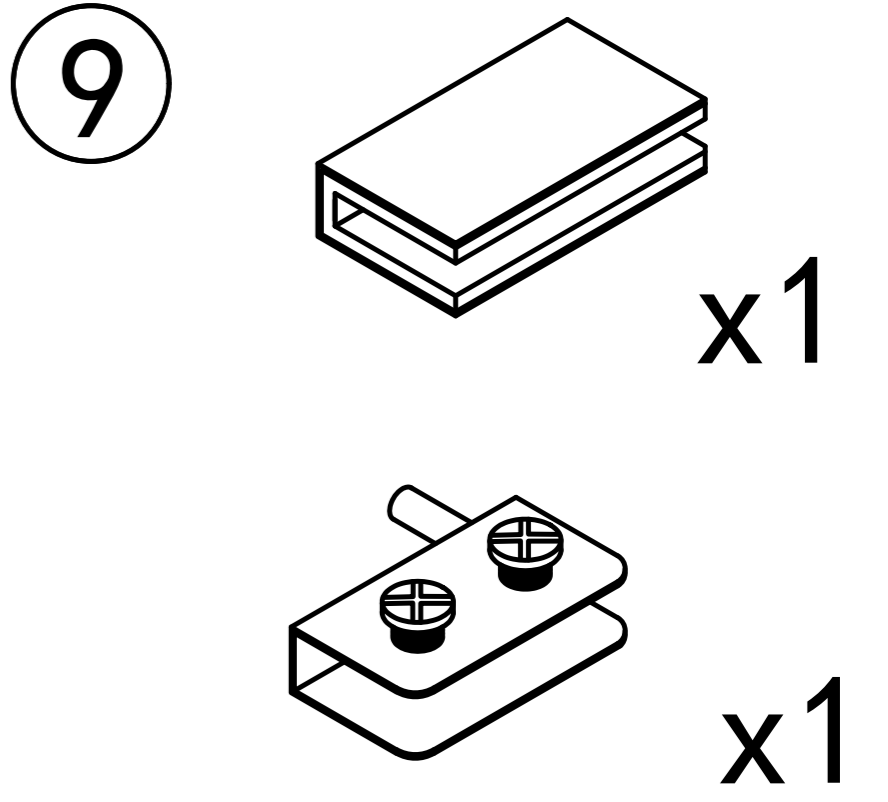
## Step 37



Pay attention to the direction of the door hinge, rotate the screws to compress the black gasket, and do not place it in the opposite direction

Place the black gasket on the side where the screws are installed

# Step 38


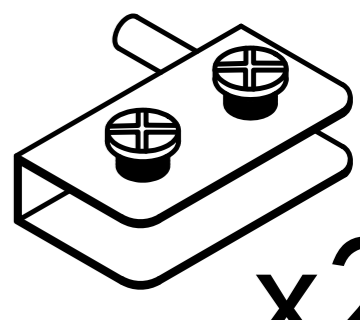

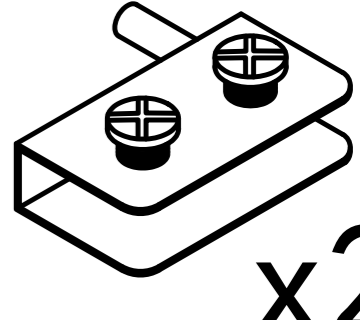


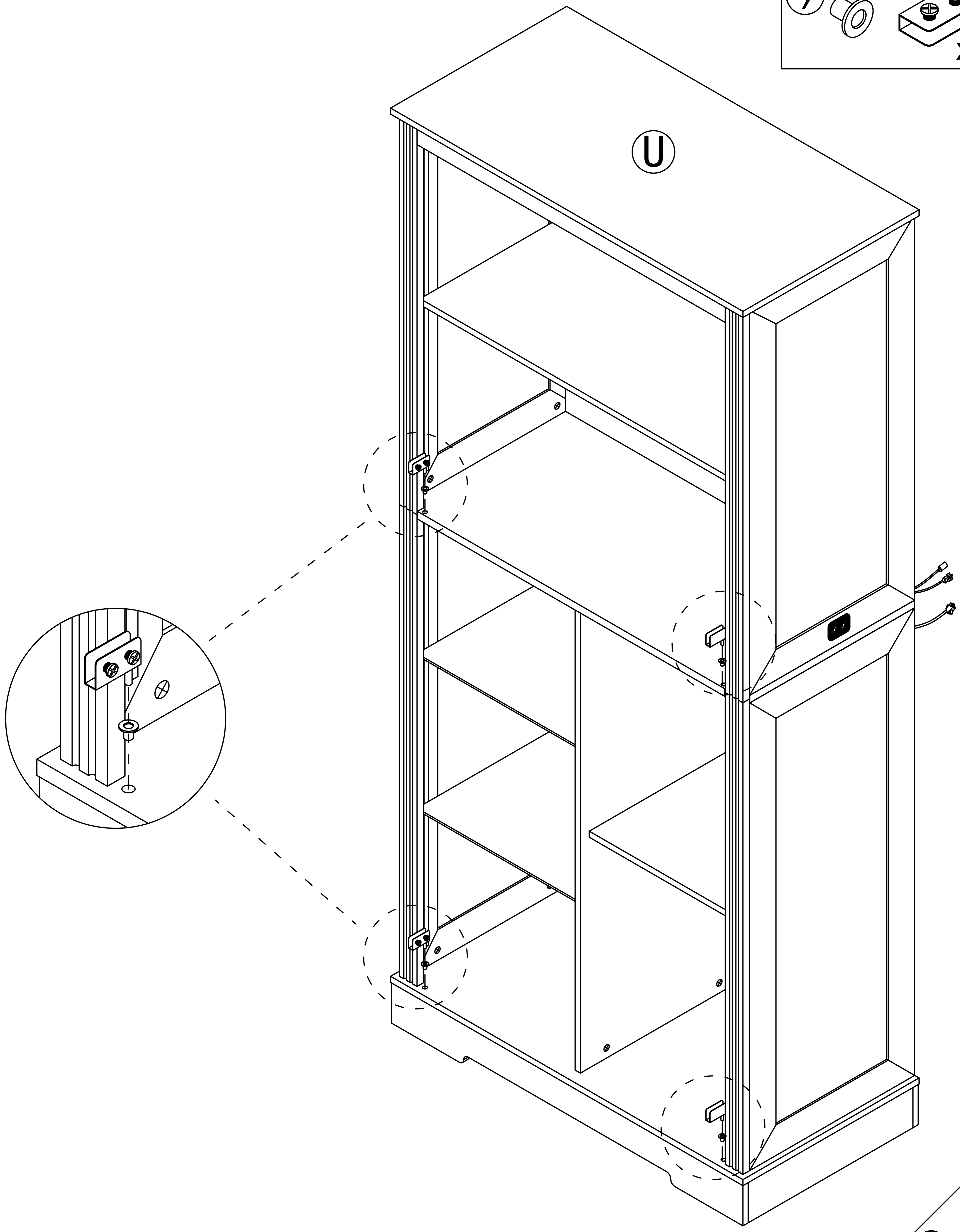
Locking screw

Pay attention to the direction of the door hinge, rotate the screws to compress the black gasket, and do not place it in the opposite direction

Place the black gasket on the side where the screws are installed

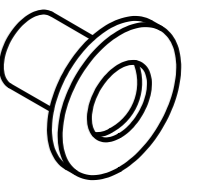

Step 39

- 8   x2
- 9   x2

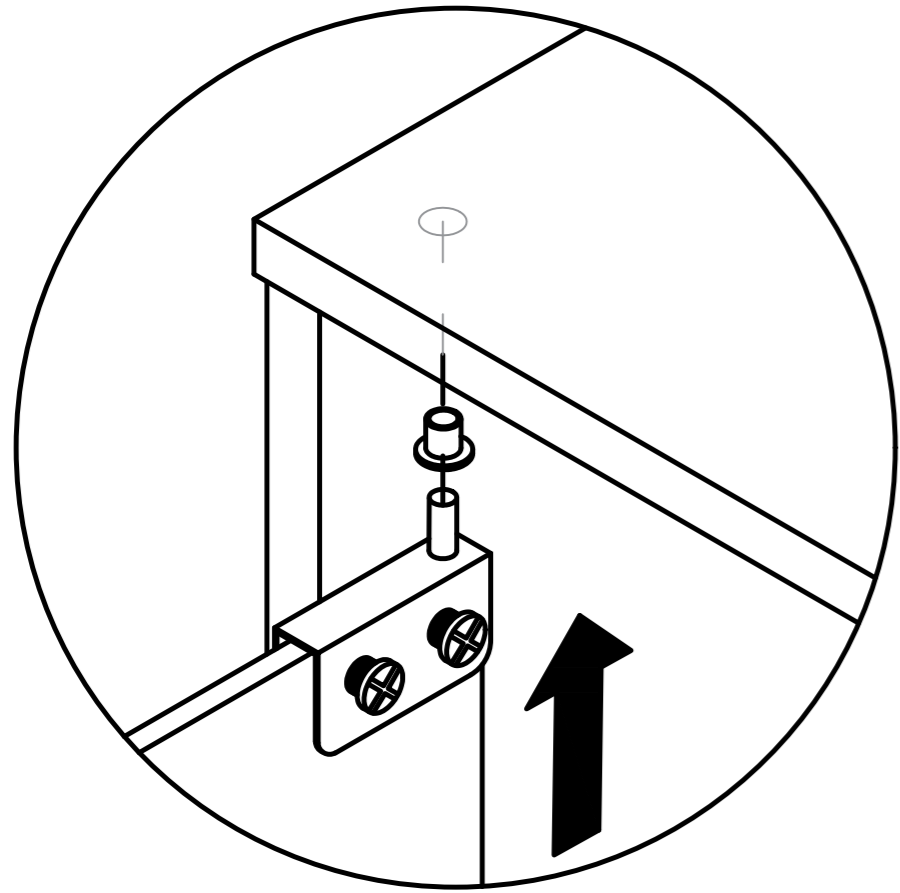


# Step 40

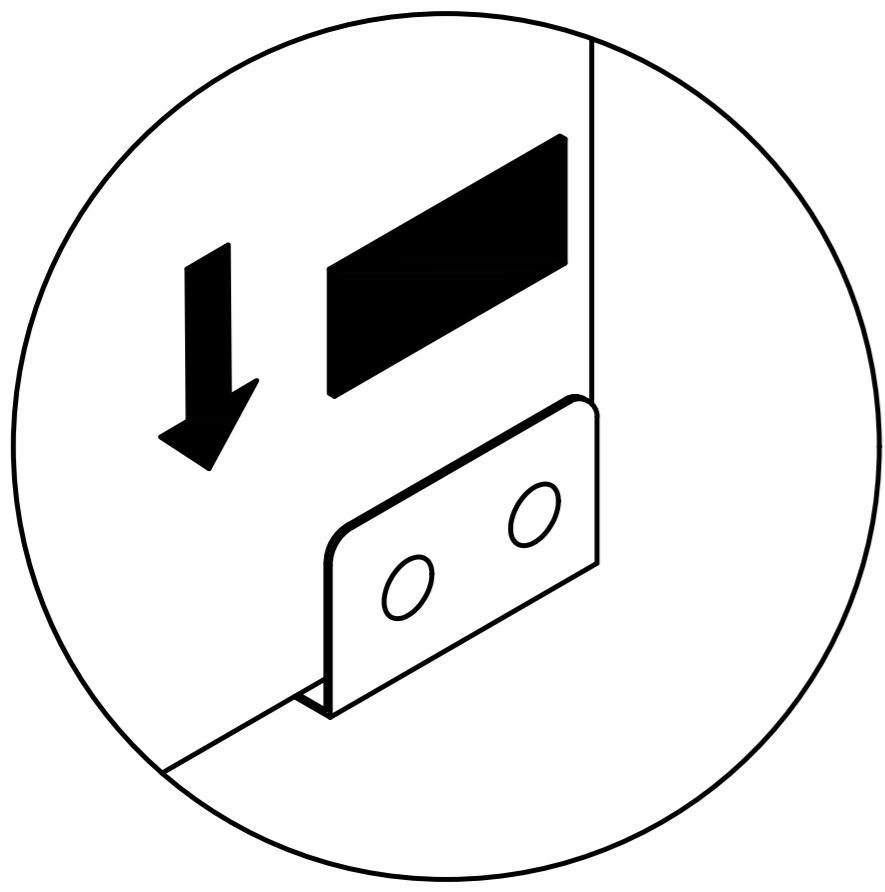
Pay attention to the direction of the door hinge during installation

8		x1
9		x1

When installing a glass door, it is recommended to have two people install it to avoid the glass door colliding or hitting oneself.

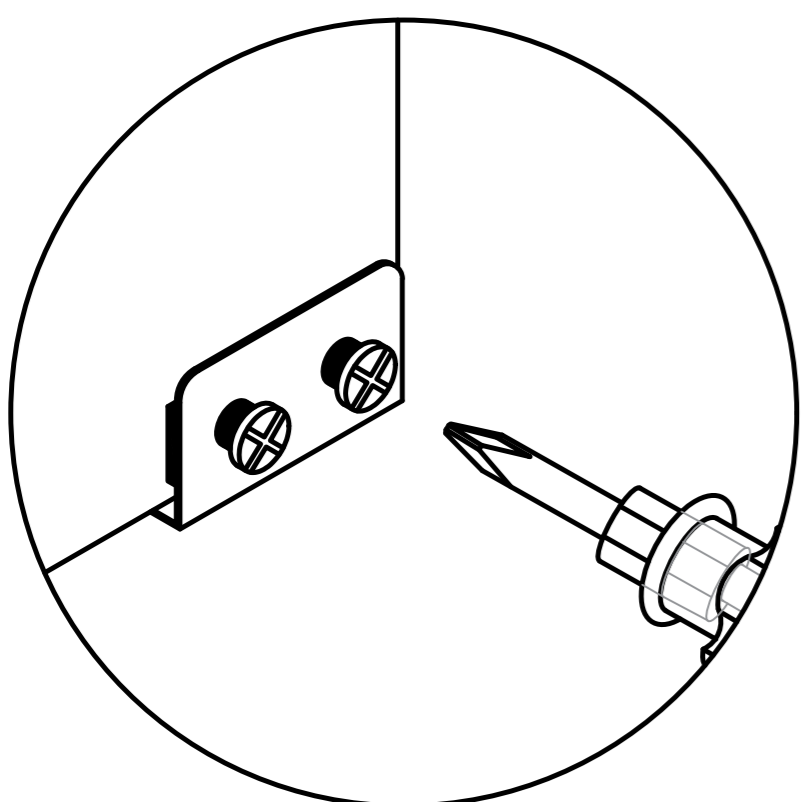


first



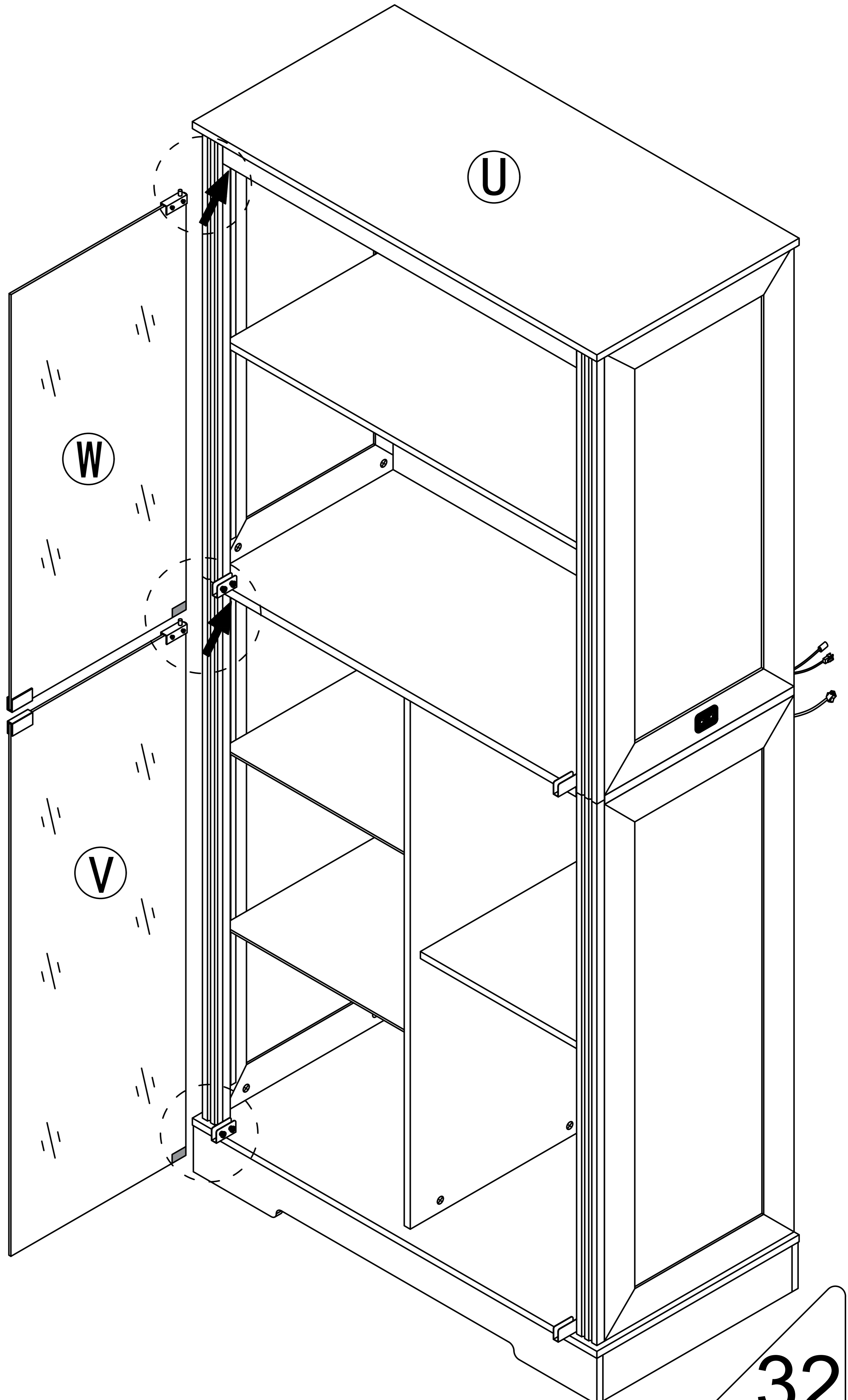
second

After installing the glass door, place the black gasket on the side where the screws are installed


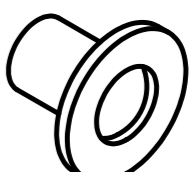


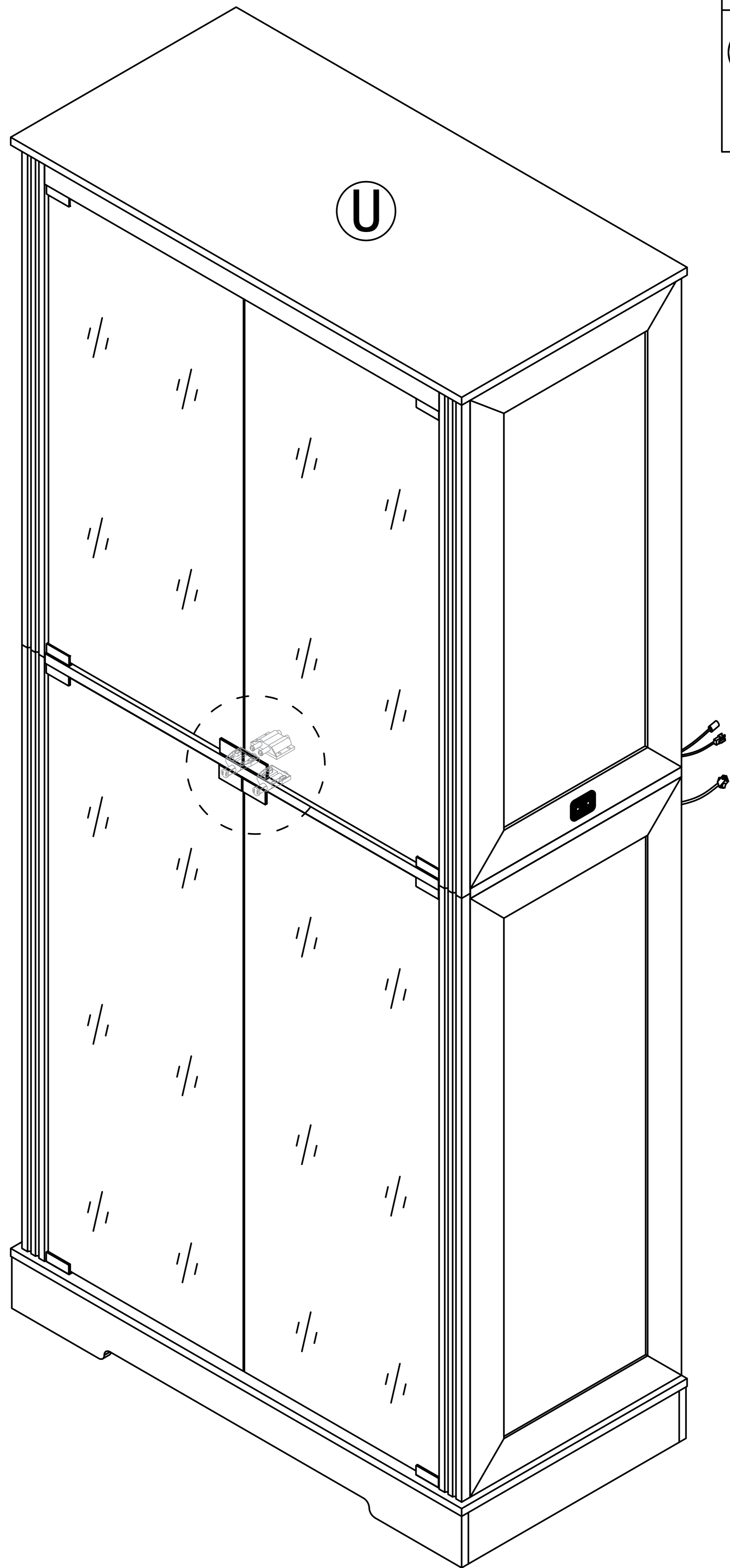
third

Locking screw



Step 41

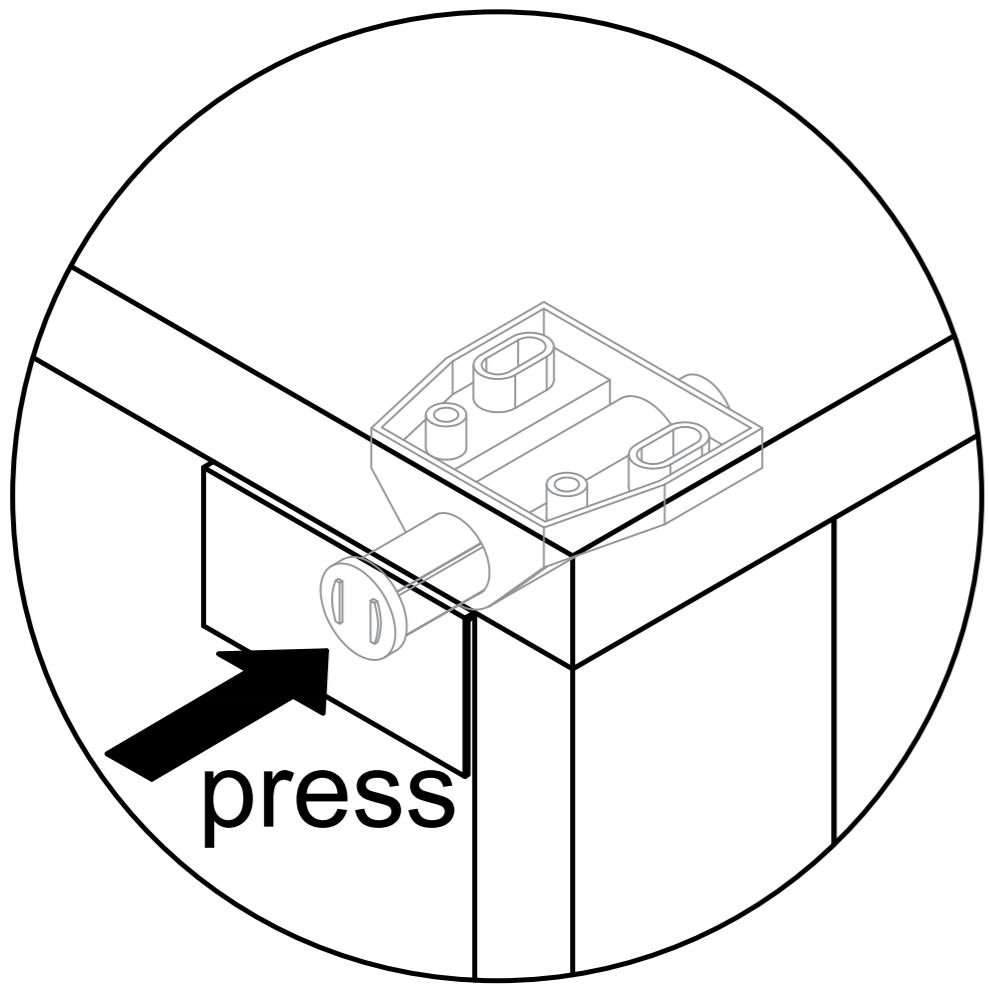
- |   |   |    |
|---|---|----|
| 8 |  | x1 |
| 9 |  | x1 |



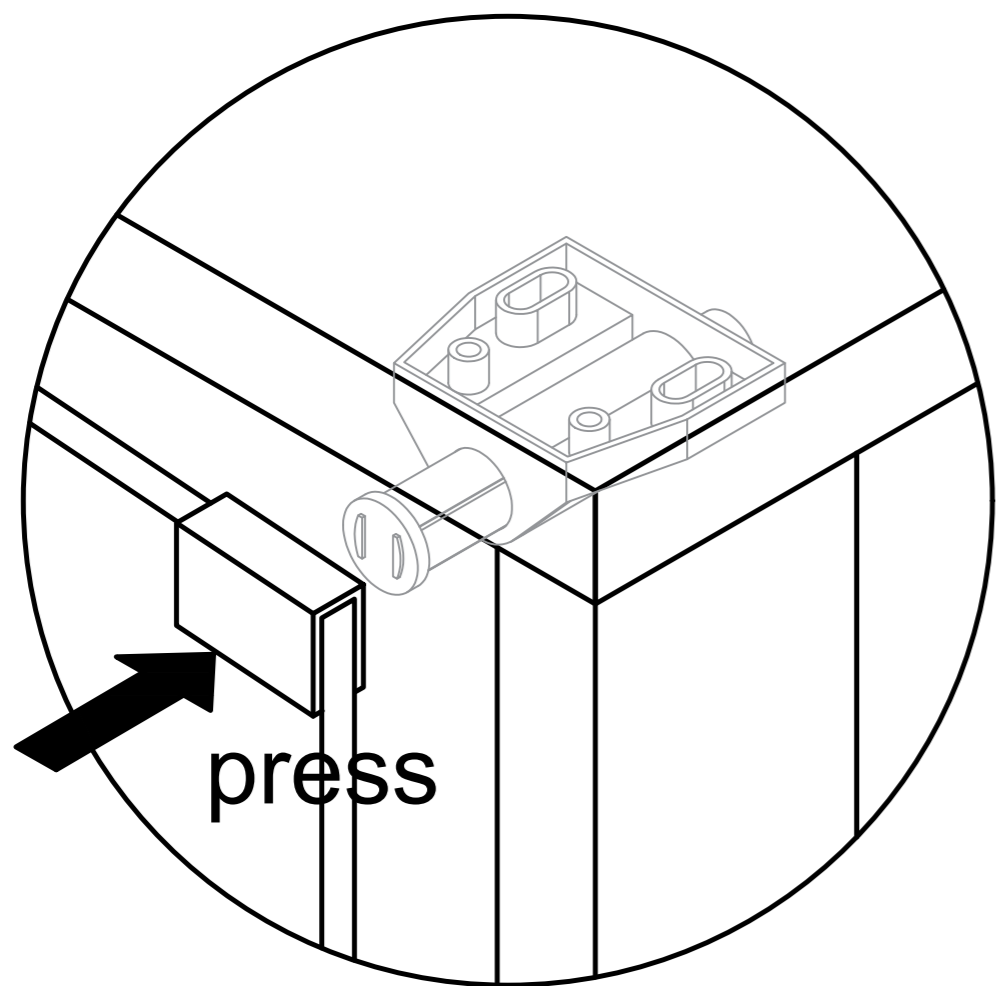
Repeat the door installation steps.

# Step 42

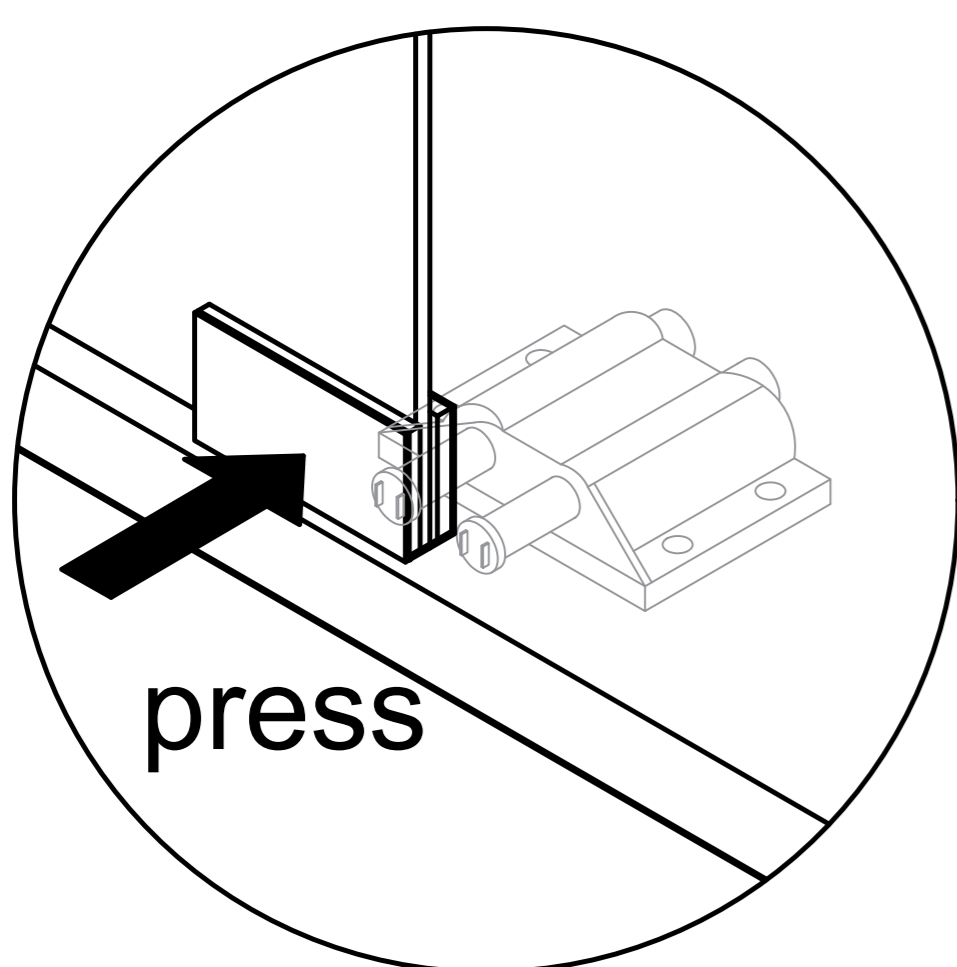
Open the glass door



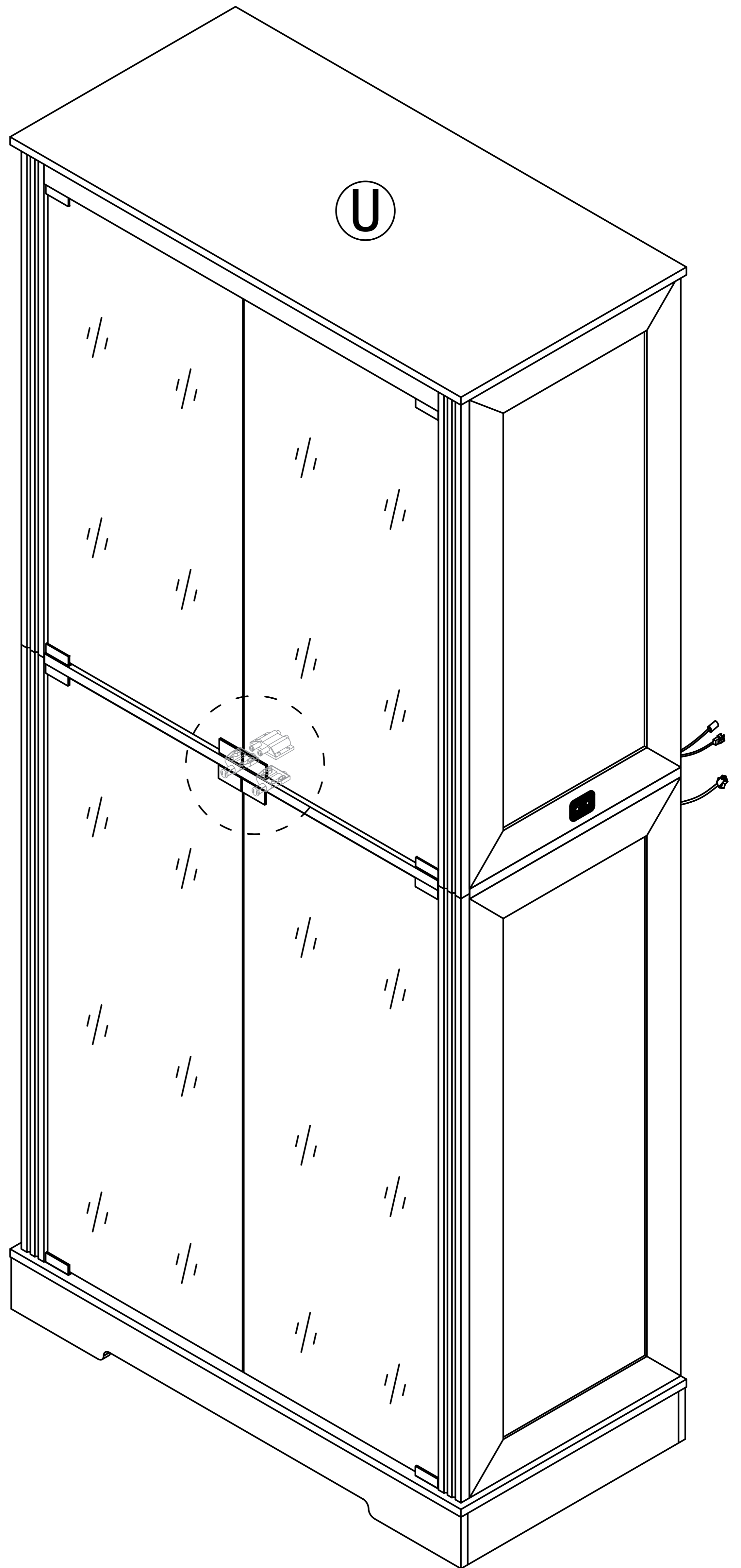
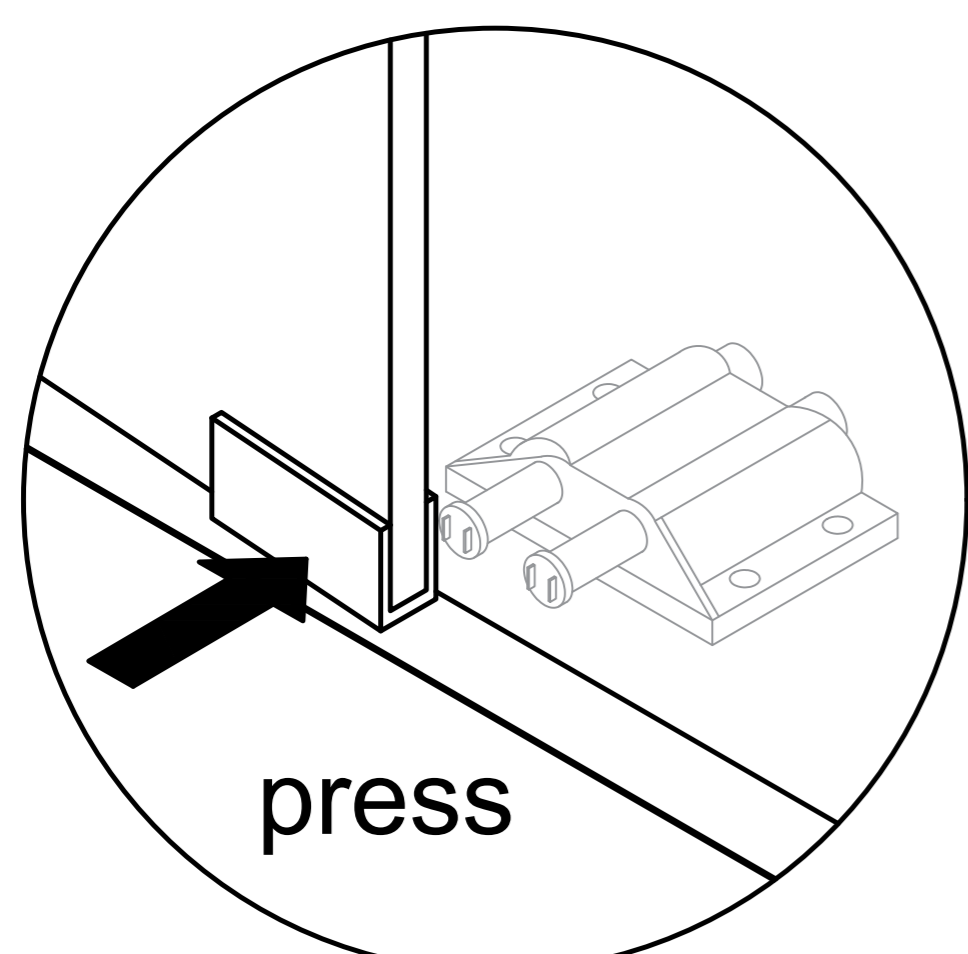
Close the glass door



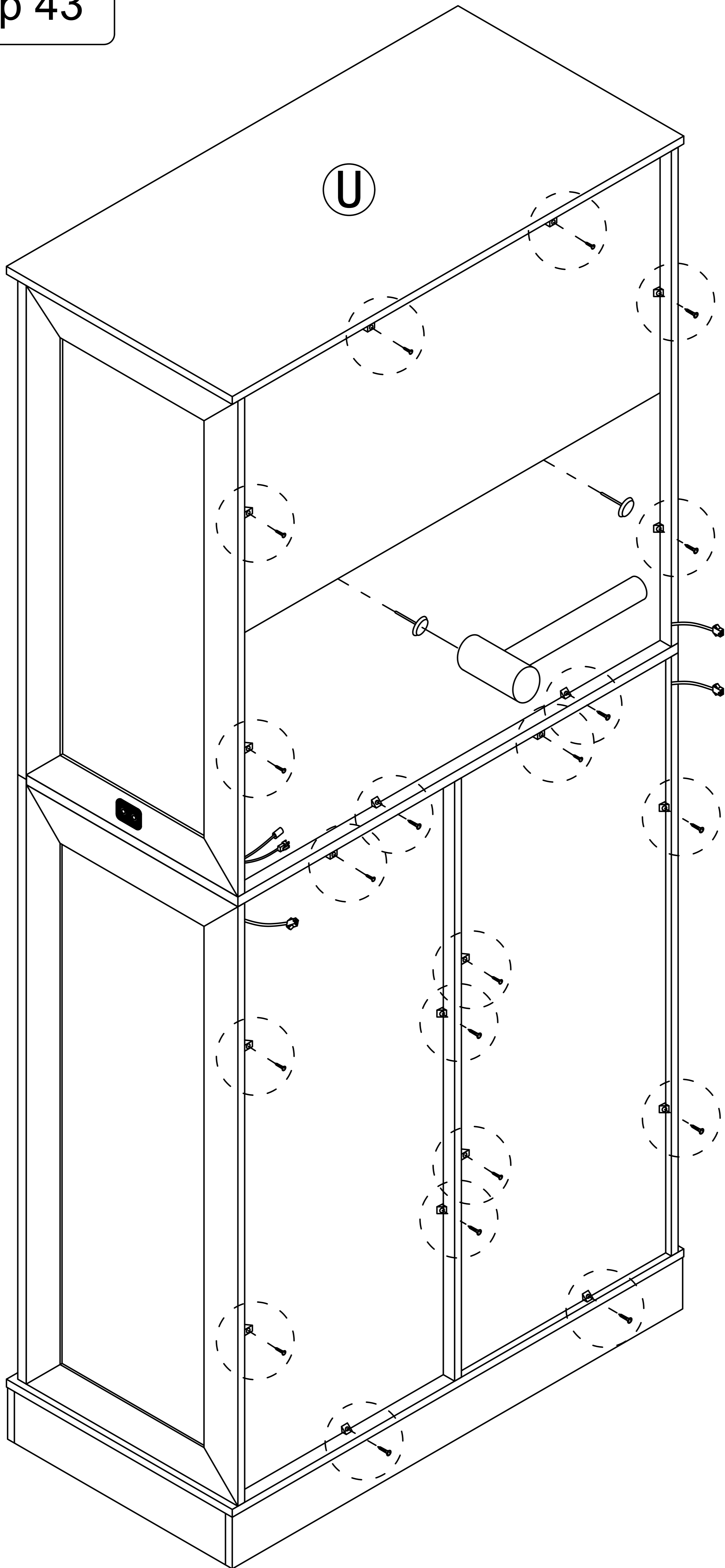
Open the glass door

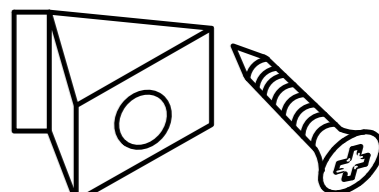


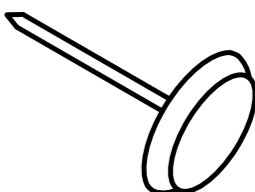
Close the glass door

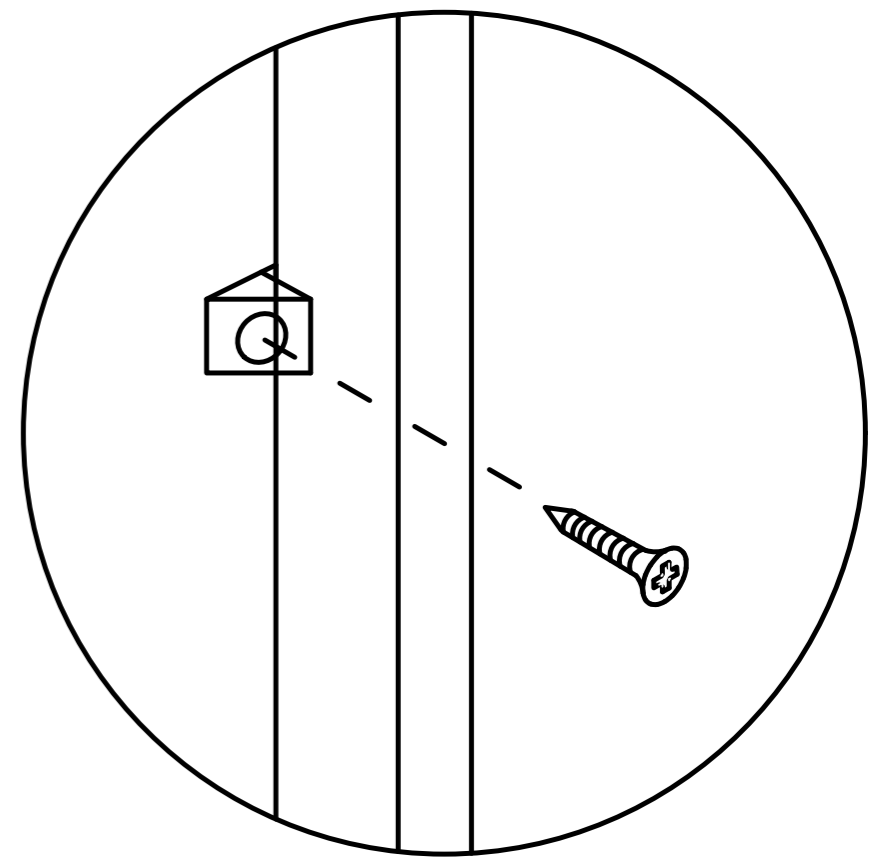


Step 43



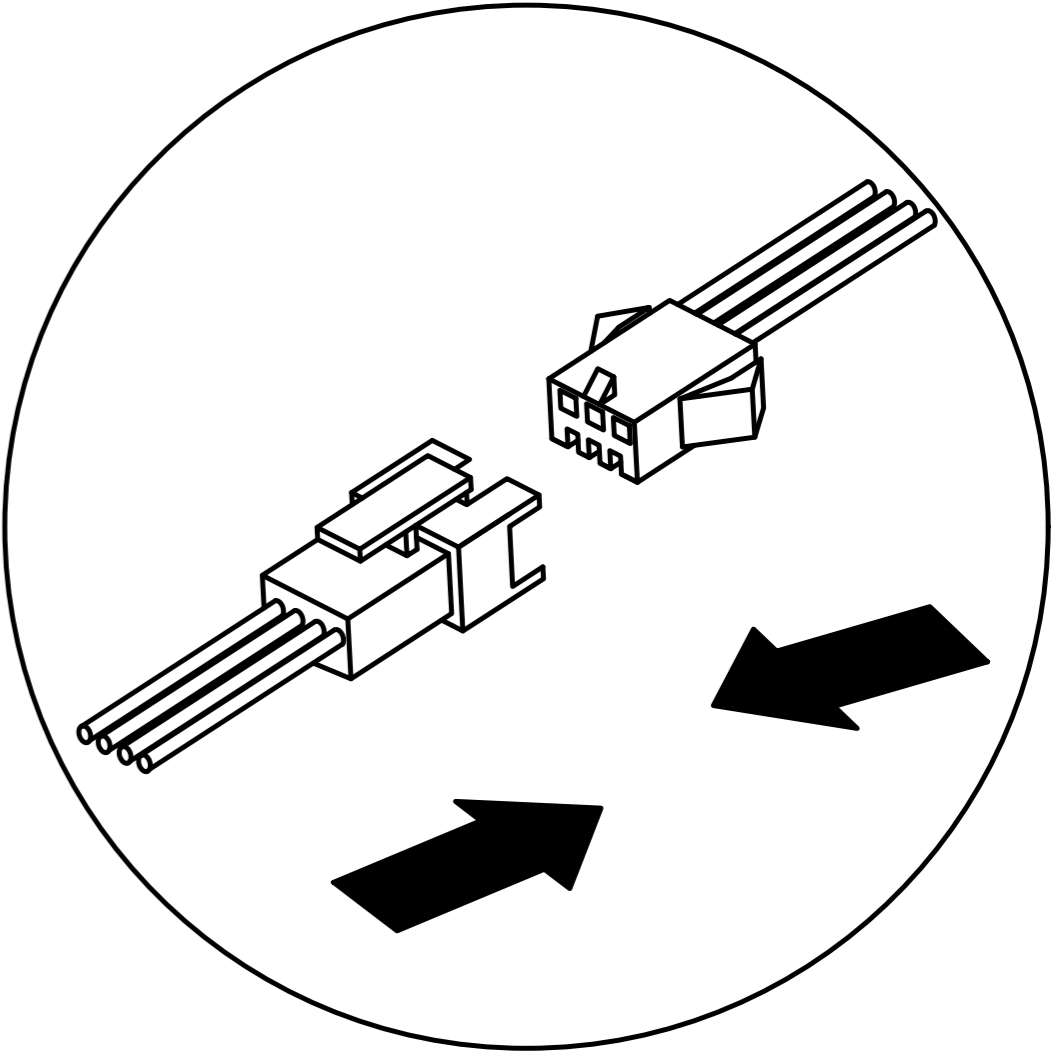
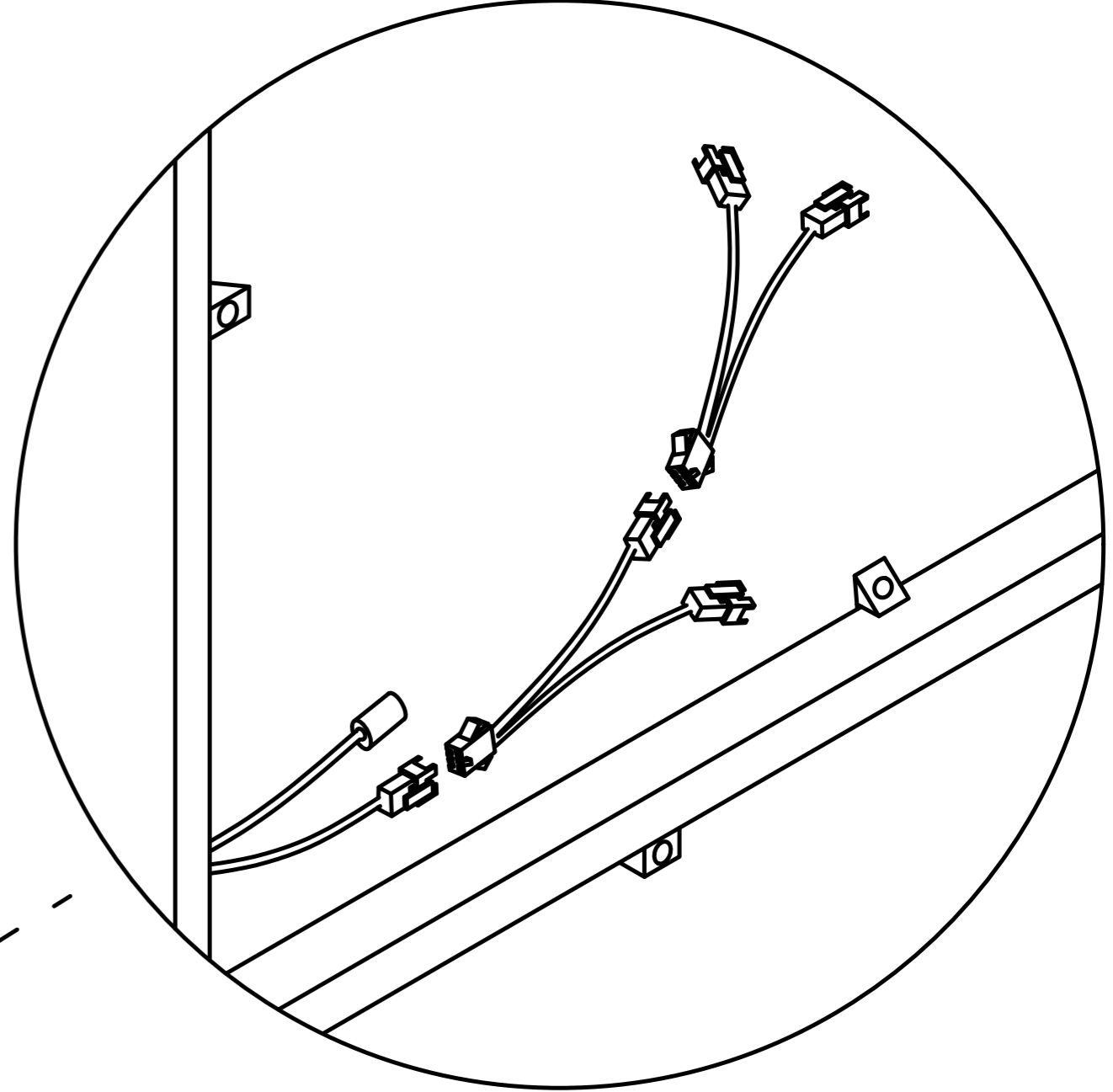
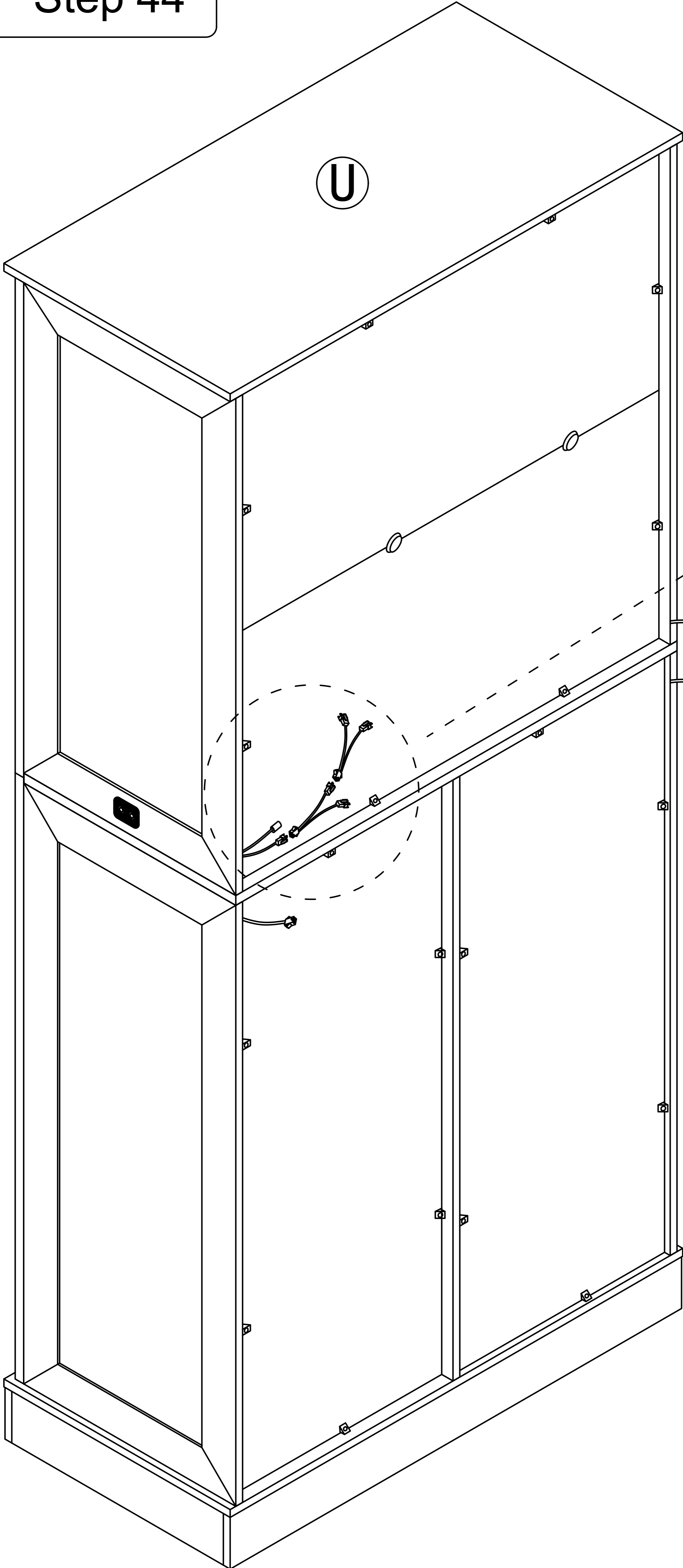
5  x20

11  x2

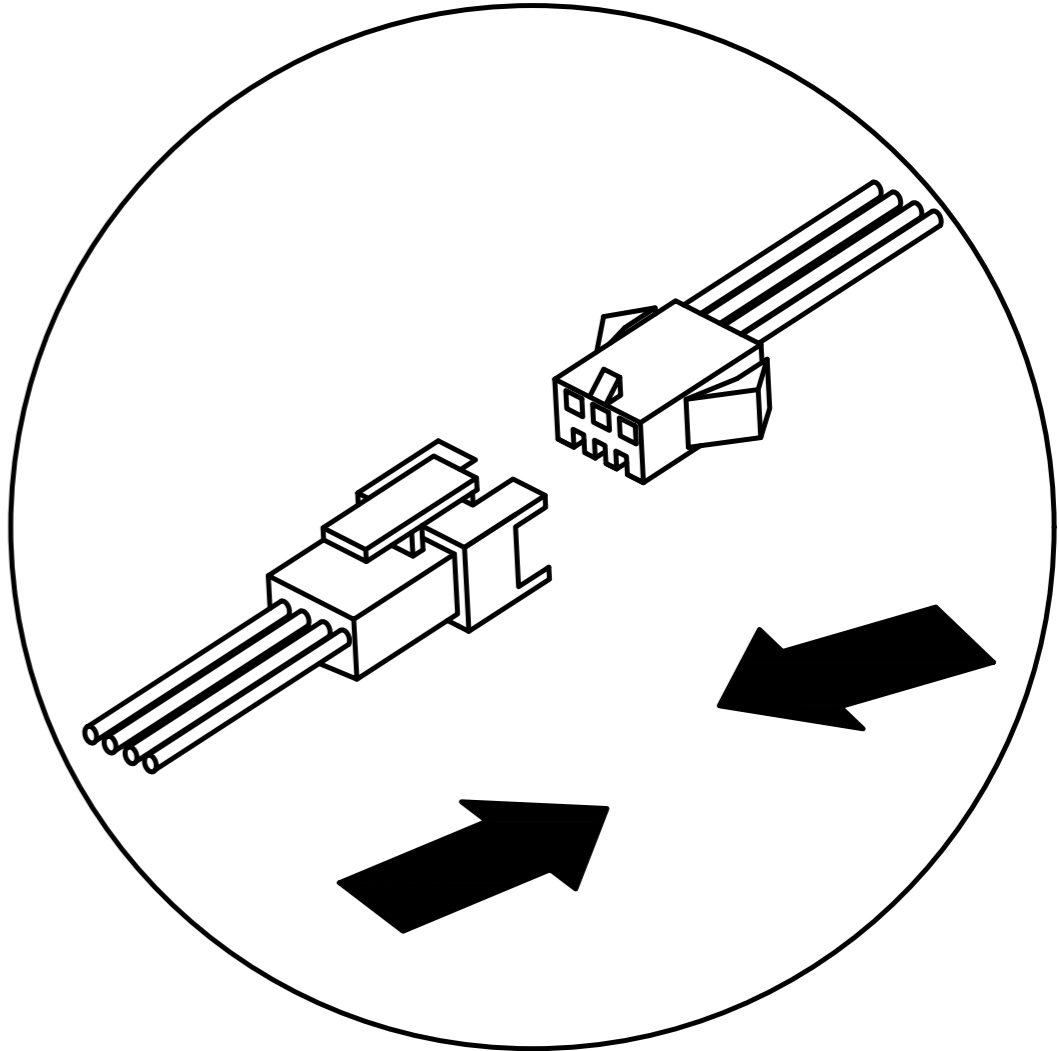
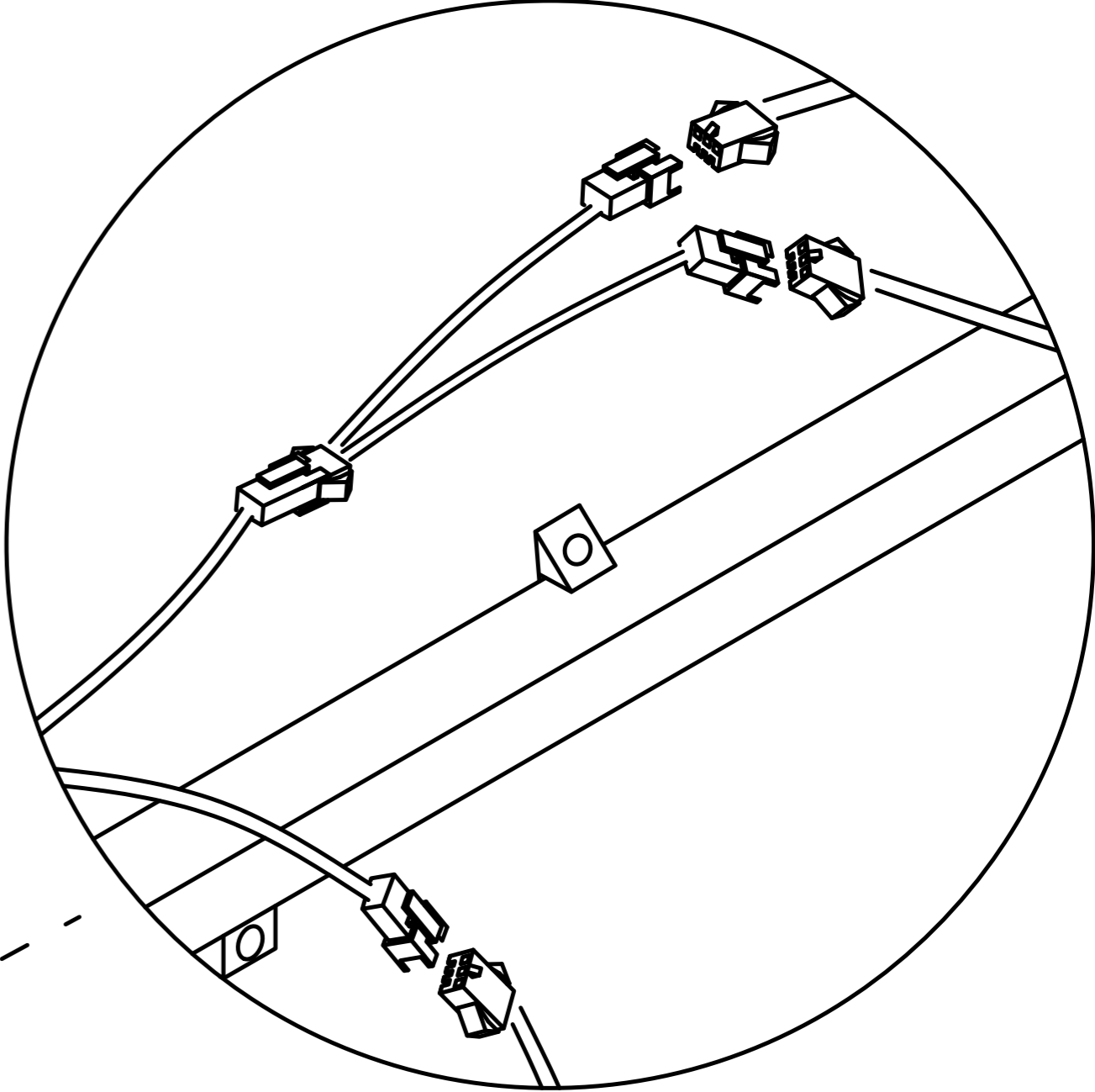
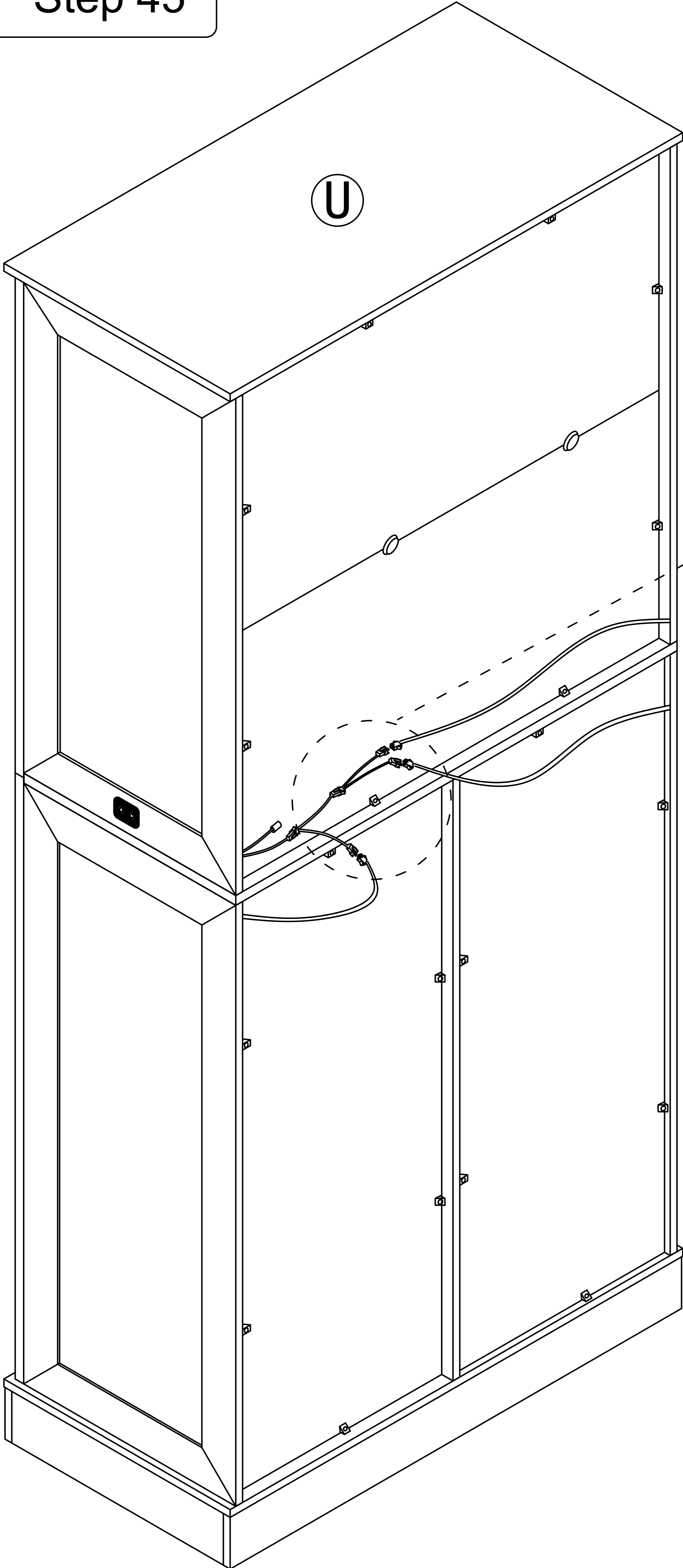


Step 44

7 x2

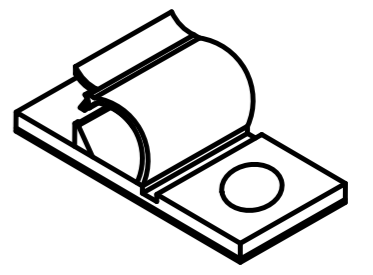


Step 45

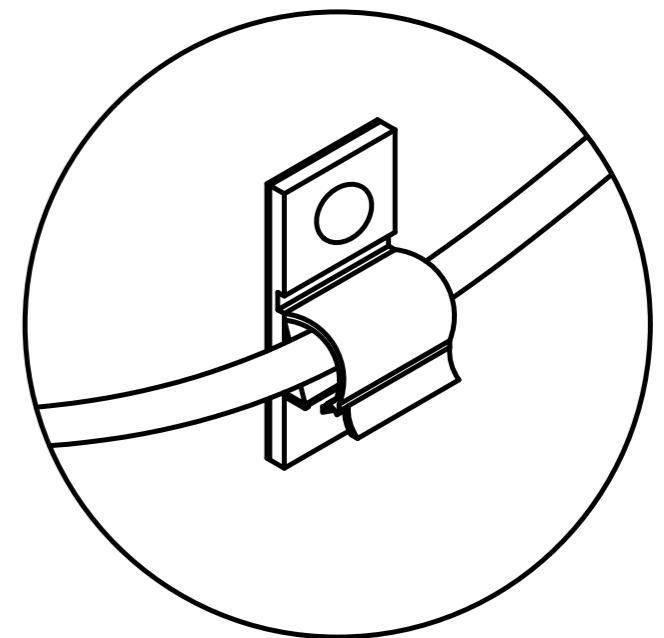
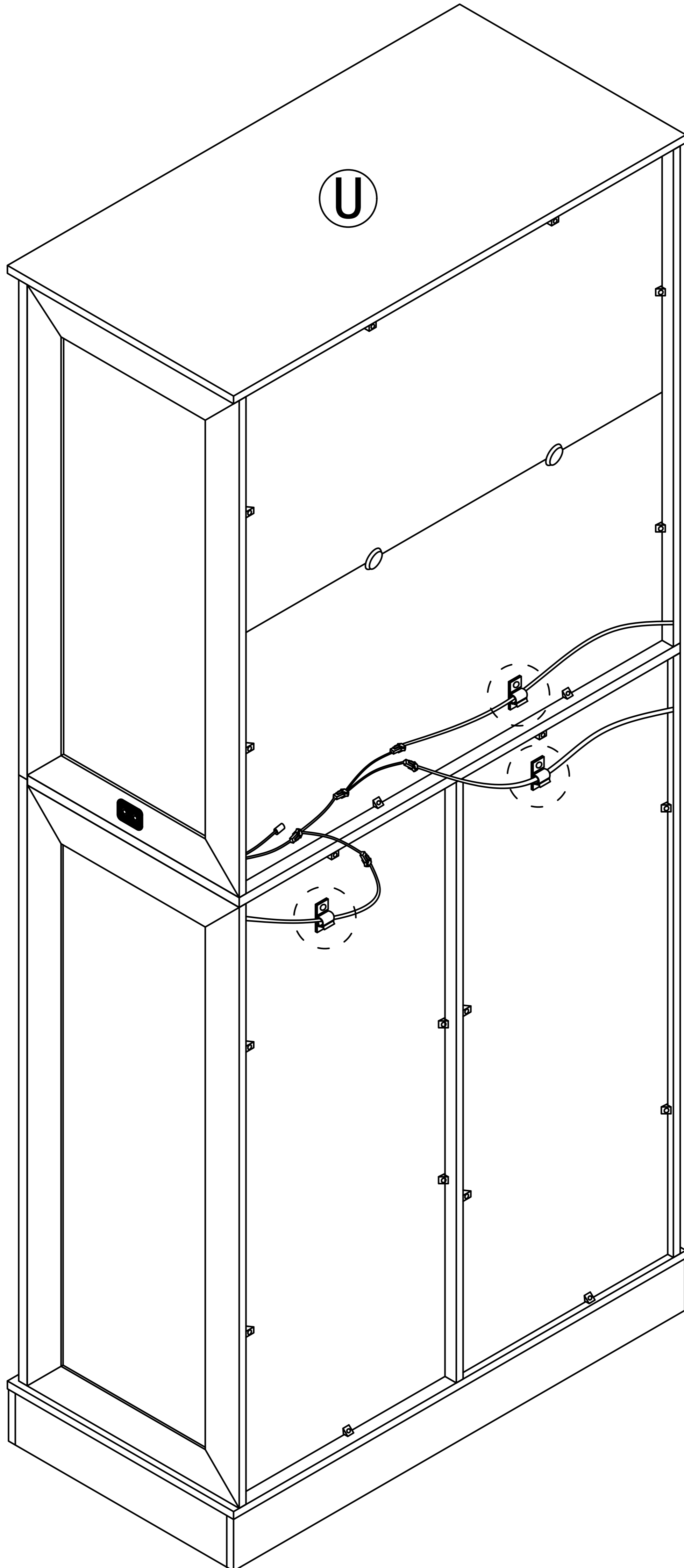


Step 46

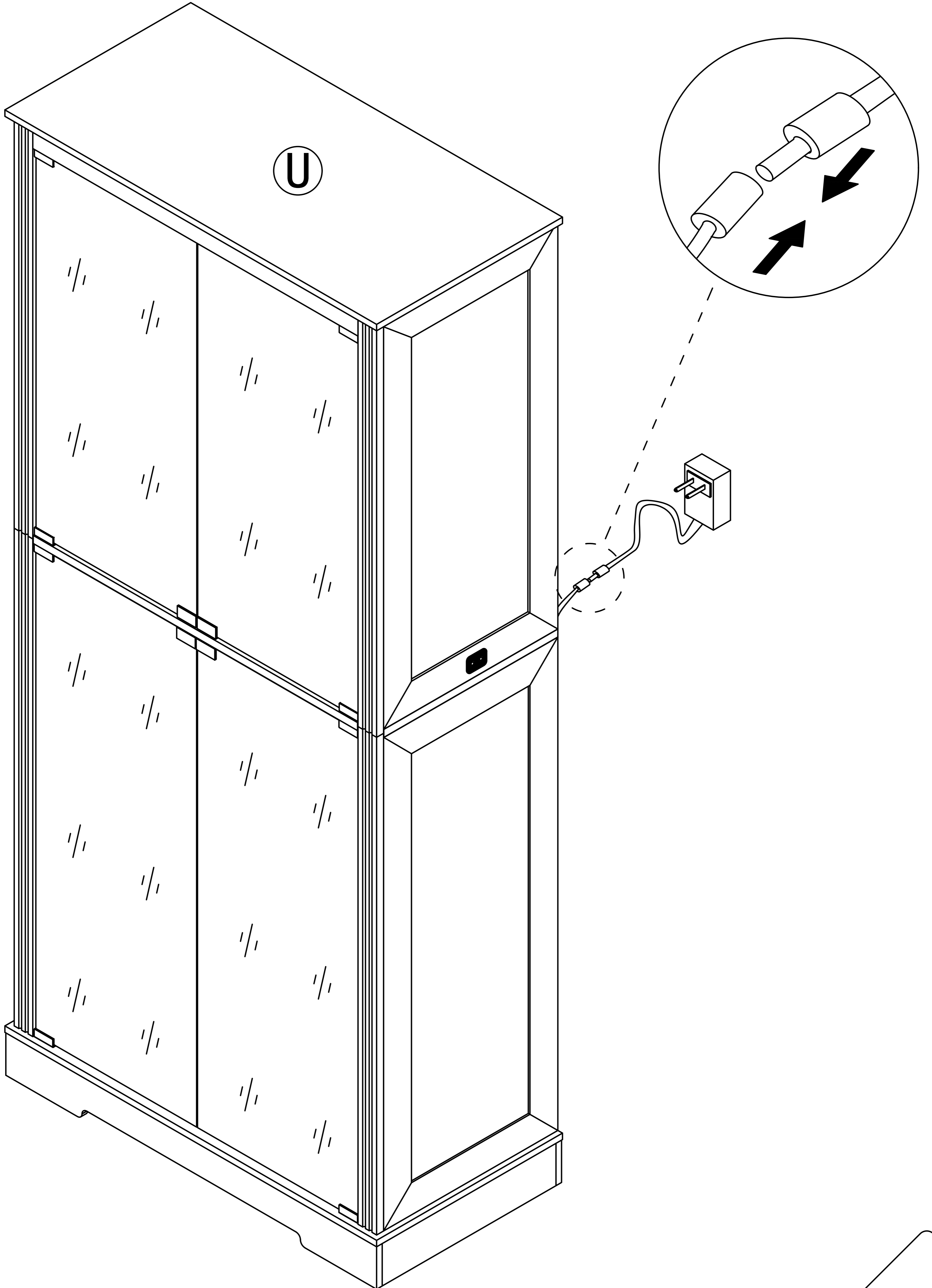
6



x3

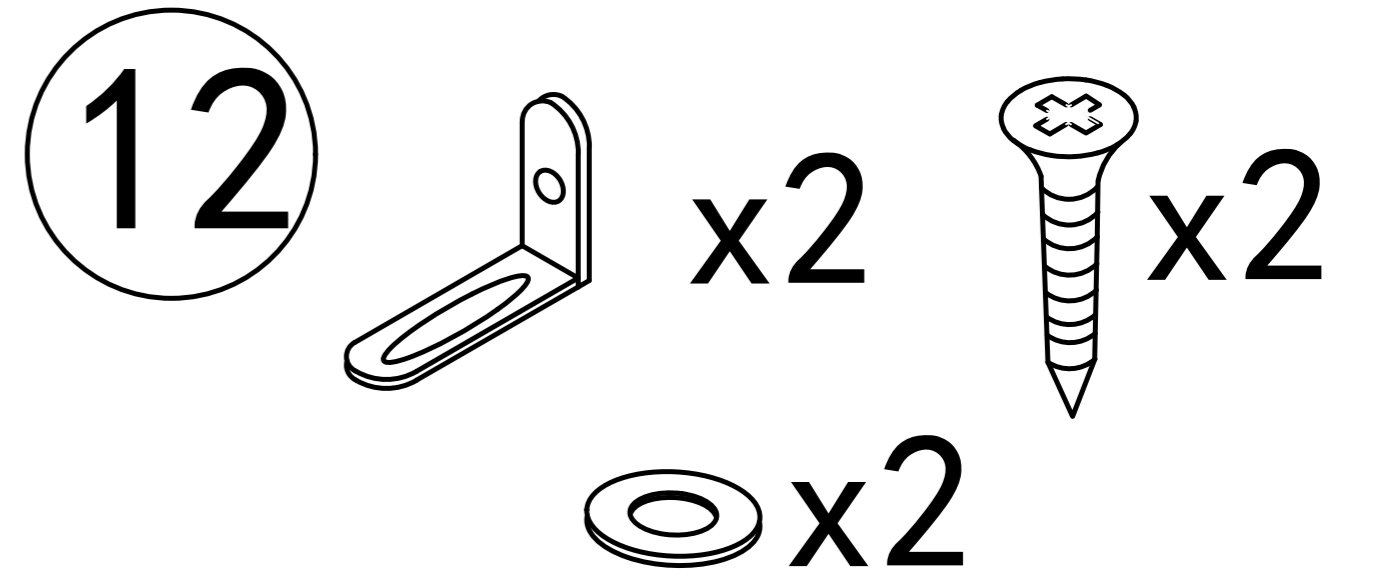


Step 47

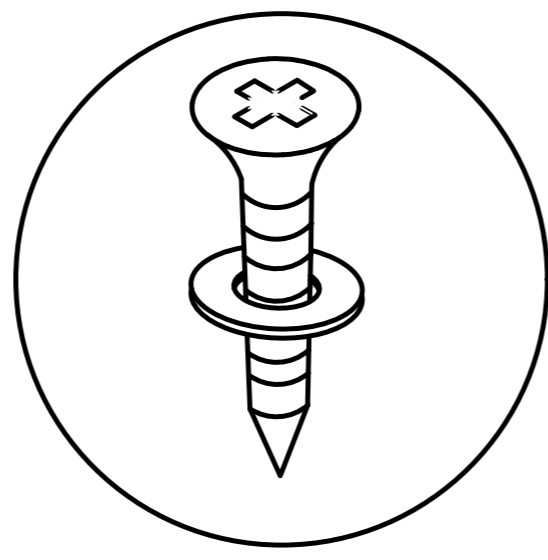


Step 48

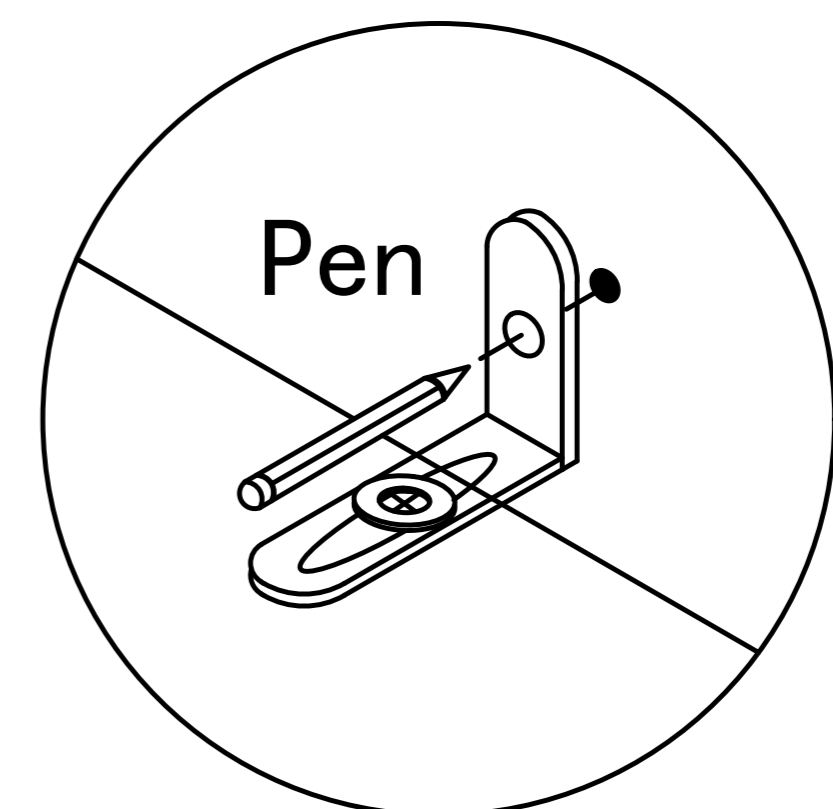
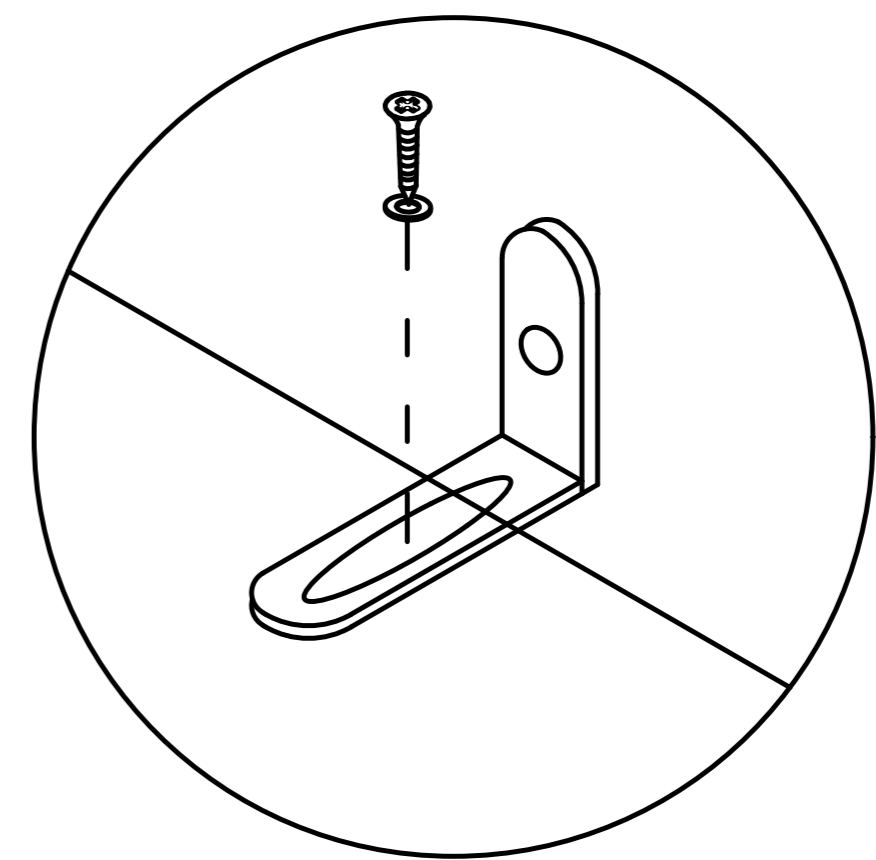
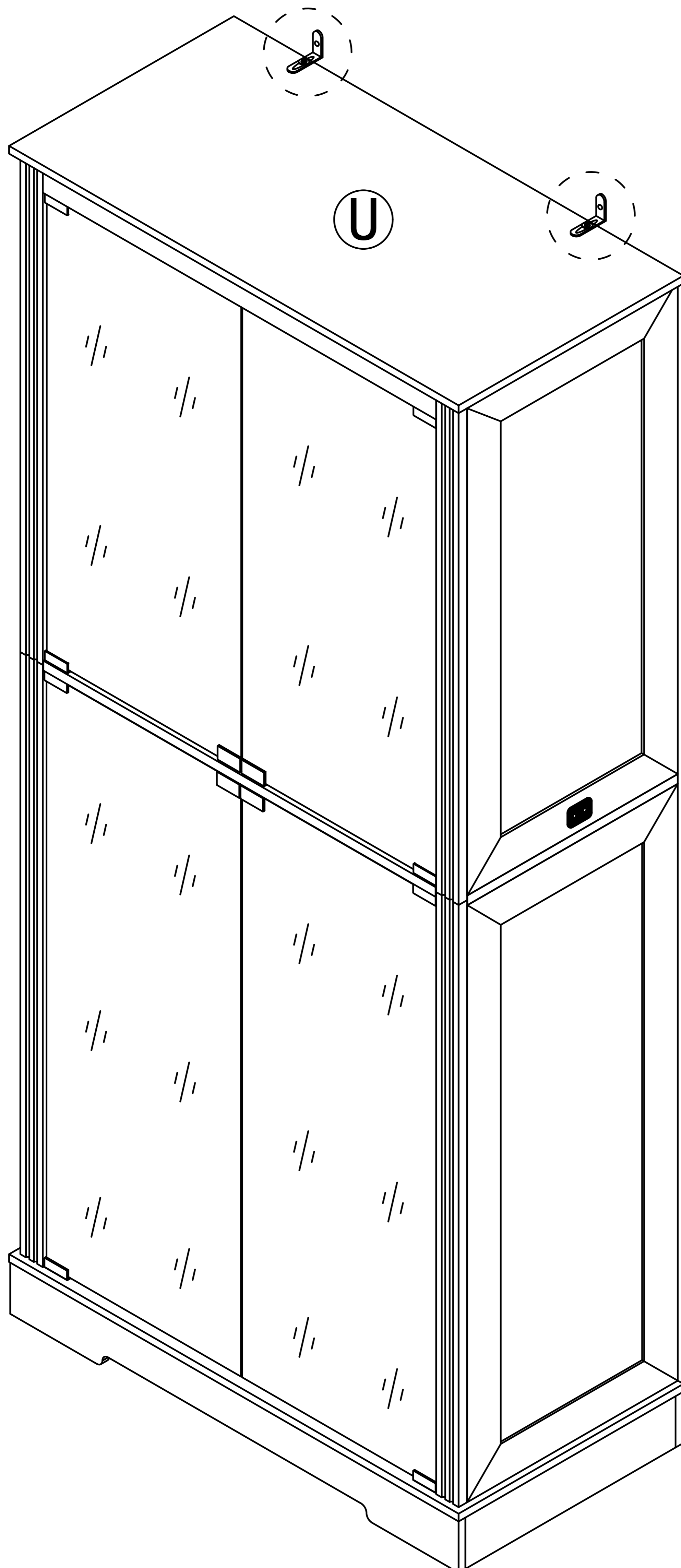
Install as required



3.5x14mm




Install the anti fall hardware on the cabinet as shown in the picture first

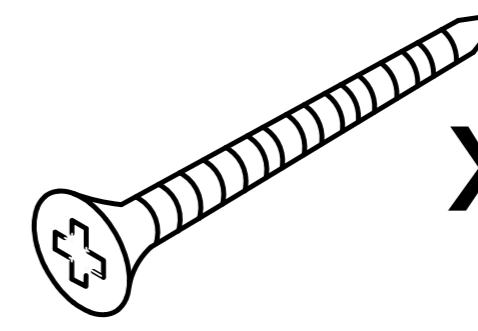
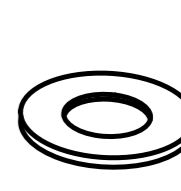


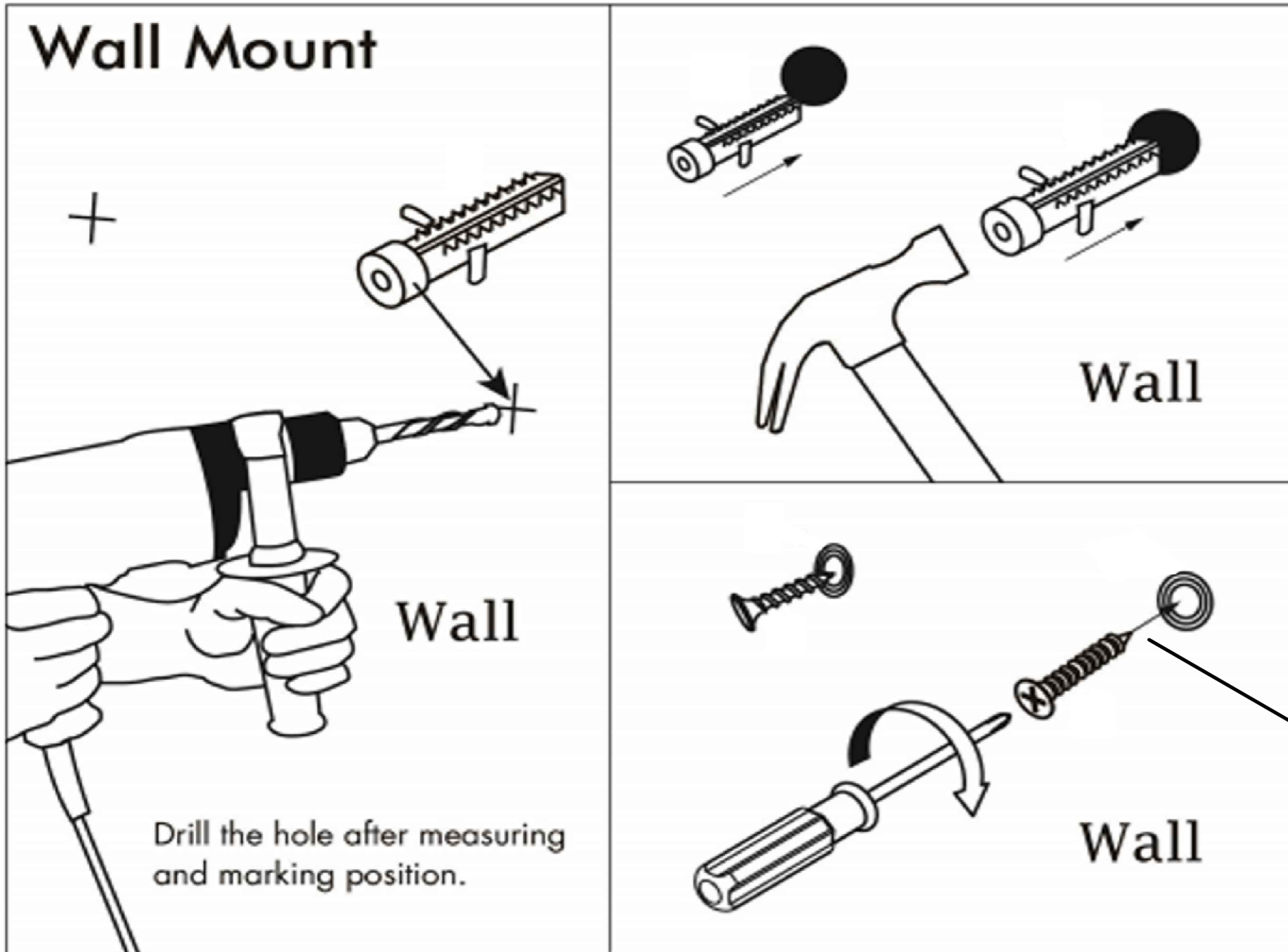
Then mark the wall with a pen through the holes in the anti-fall hardware

# Step 49

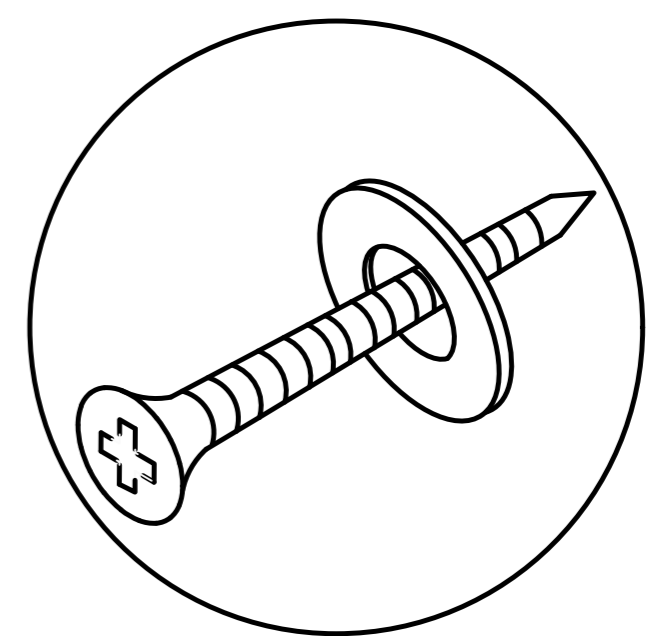
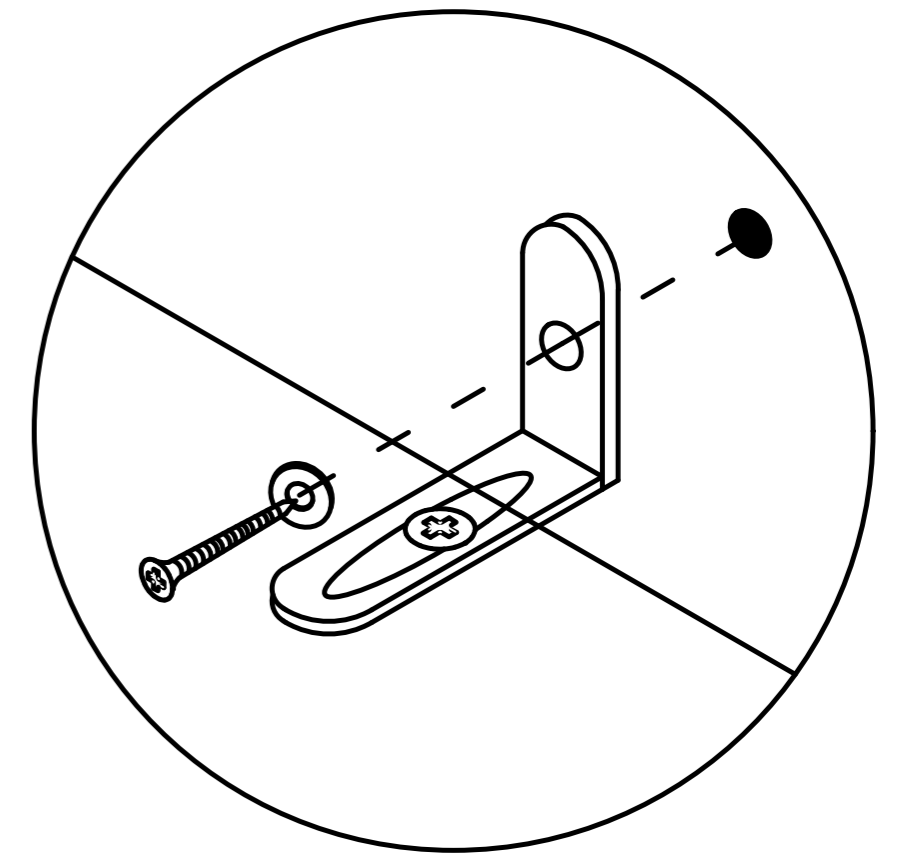
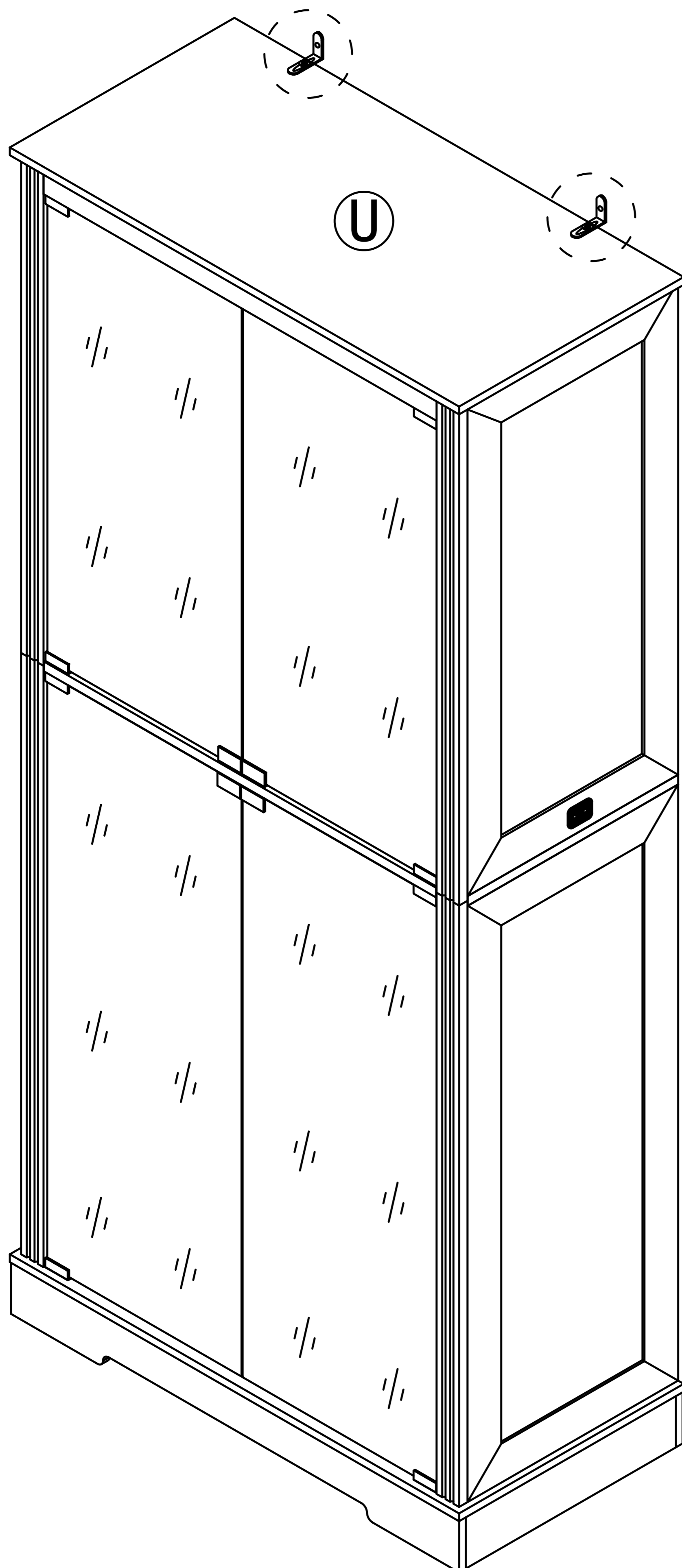
12

 x2

 x2  x2



Drill the hole with an electric drill and punch in the colloidal particles



4x45mm

Fix the dressing table to the wall

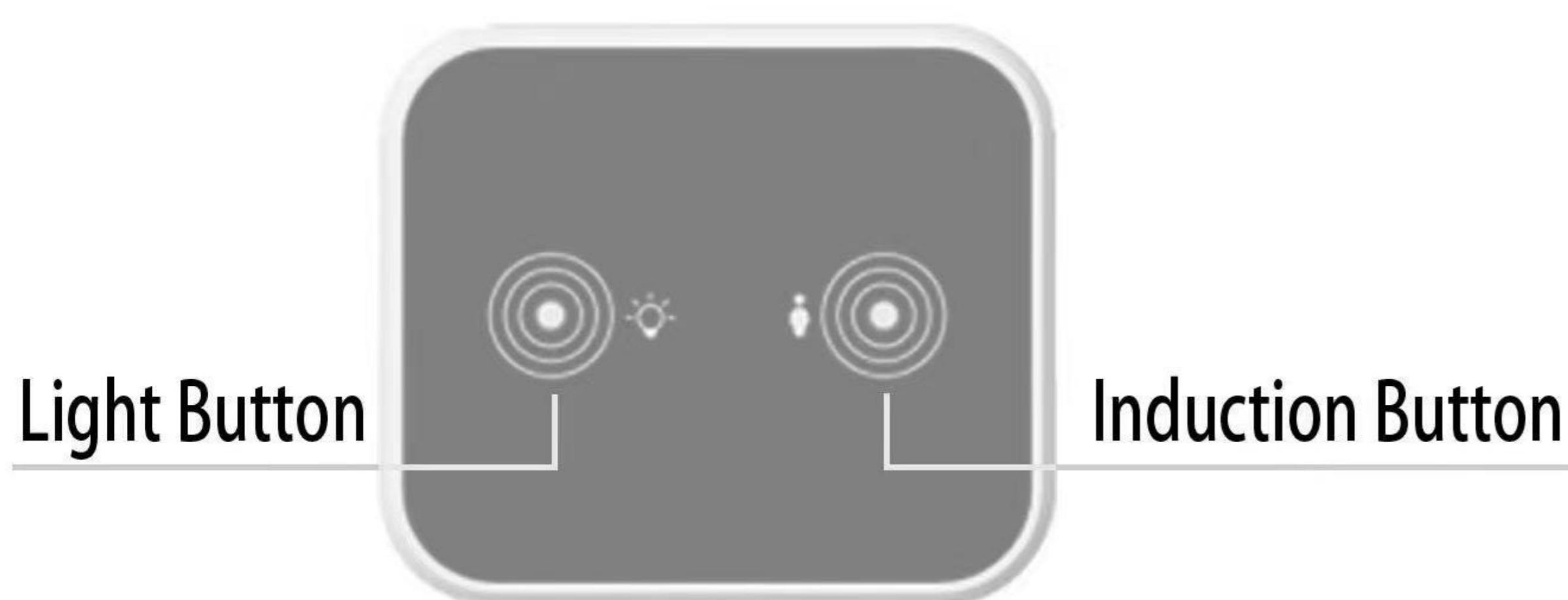
## User's Guide

Thank you for purchasing this product. To use this product, please plug it into a 12V DC power supply. Please use if the product works normally after connecting to power.

## Introduction

The box is an intelligent controller with 2 touch buttons. It can turn ON/OFF the light, change light colors, and adjust the light luminance.

## Product Show



### ATTENTION PLEASE

1. If there is no touch response suddenly, Re-plug the power to reset the touch static electricity.
2. If bubbles appear on the panel, remove the protective film.

## Operation



This touch button is used to turn on/off, change colors, and adjust brightness.

A. Short touch -> lighting on -> short touch -> change light color -> short touch -> change light color -> short touch -> lighting off. B. Long touch -> adjust the luminance



This touch button is used to turn on/off the induction function.

A. Short touch to turn on the induction function. It can auto-turn on the light when people are close to the controller in 1 meters. It can auto power off the light when the body is far away from the controller after 30 seconds.

B. Long touch to turn off the induction function.

C. Note: When you touch the light button to change the light modes, the induction function will automatically turn off. It is best to turn on this function after selecting the light color and adjusting the brightness you want.