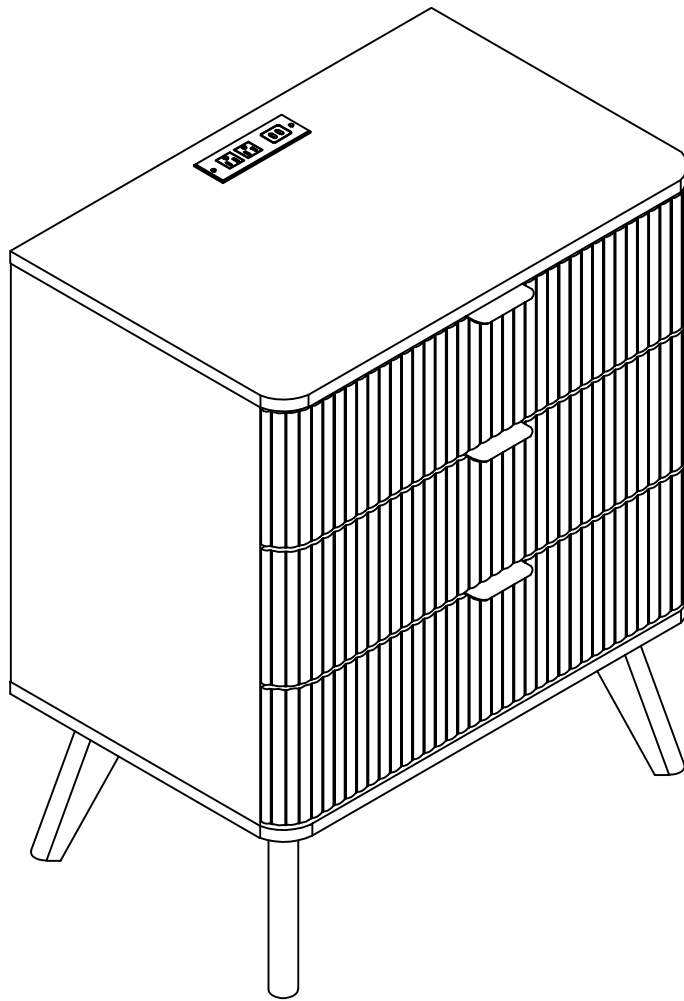


Installation Instruction



Assembling

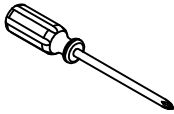
Estimated time for assembly



45 : 00

What you need

- Use the packaging carton as a working surface to prevent product damage during assembly
- Phillips head screwdriver



Weight Limitation



100

lbs table top

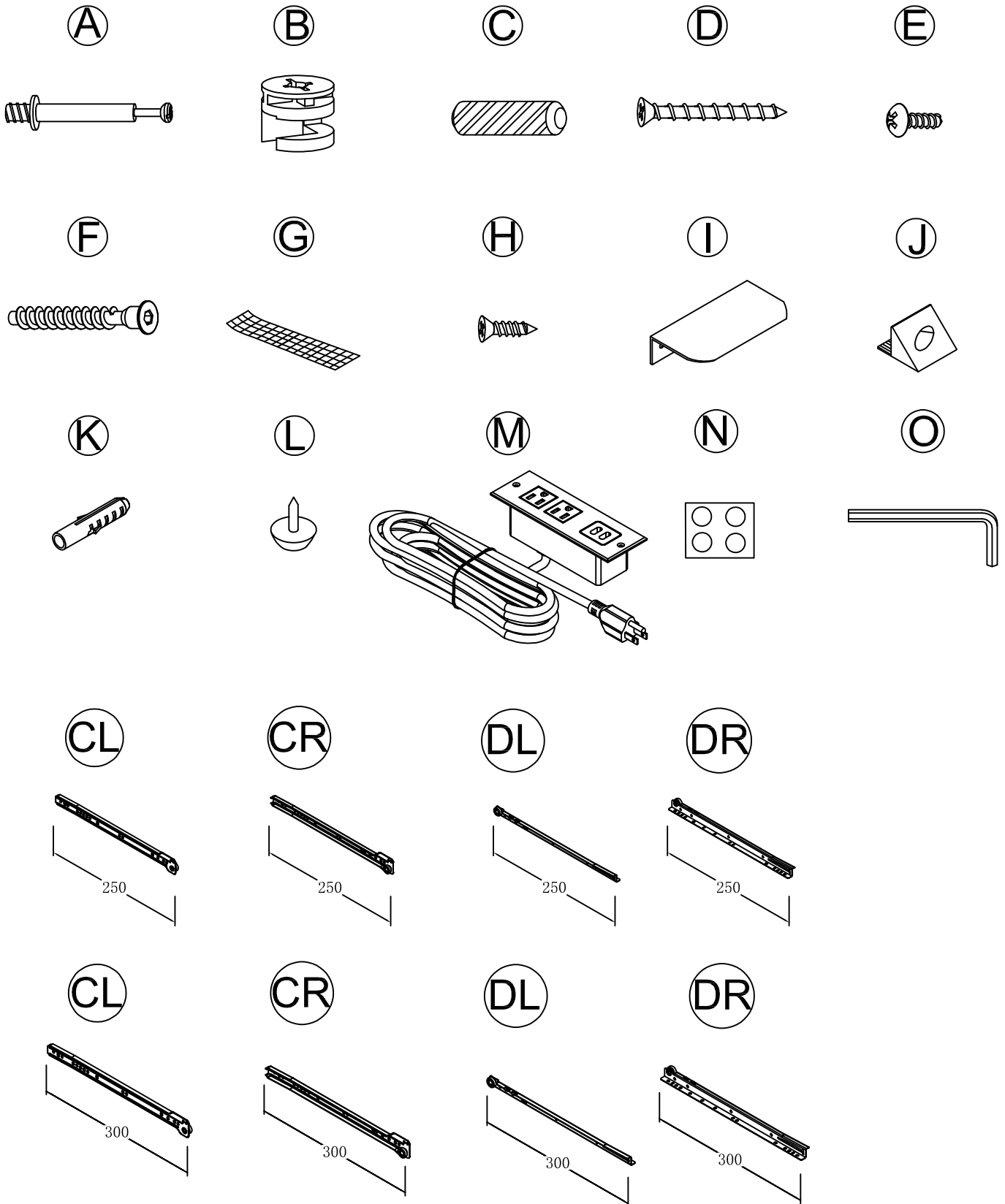
35

lbs per

What' included

Code	Description	Qty
A	Cam Bolt M6X35MM	19
B	Cam Lock 15X12MM	19
C	Wooden Dowel M8X30MM	12
D	Screw M4X40MM	24
E	Screw M3.5X14MM	2
F	The metal plate	4
G	Nylon Strap	2
H	Screw M3.0X14MM	44
I	Metal shake handhandle	3
J	Plastic Angle code	8
K	Anchor	2
L	MATS	4
M	Extension cord	1
N	Hole position sticker	19
O	The screw M4X55MM	1
CL	Left mother extended orbit (250mm)	1
CR	Right mother extended orbit (250mm)	1
DL	Left public extension track (250mm)	1
DR	Right public extends track (250mm)	1
CL	Left mother extended orbit (300mm)	2
CR	Right mother extended orbit (300mm)	2
DL	Left public extension track (300mm)	2
DR	Right public extends track (300mm)	2

The Hardwares



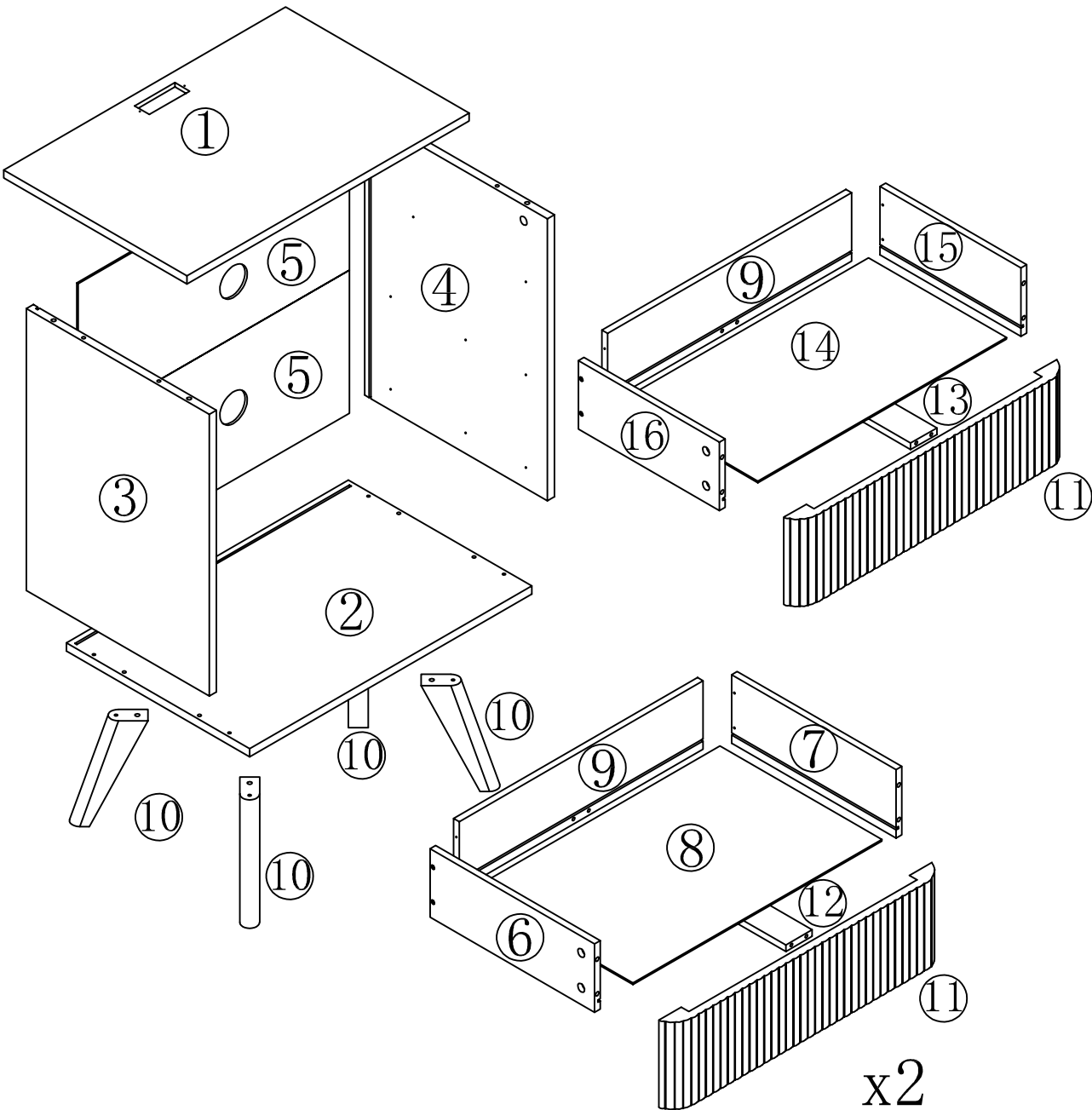
IMPORTANT:

1. Do not tighten bolts / screws completely until all bolts / screws are lined up and inserted into holes.
2. Do not over tighten screws and bolts to avoid stripping
3. Please use hand tools to assemble this product. Do not use power tools.

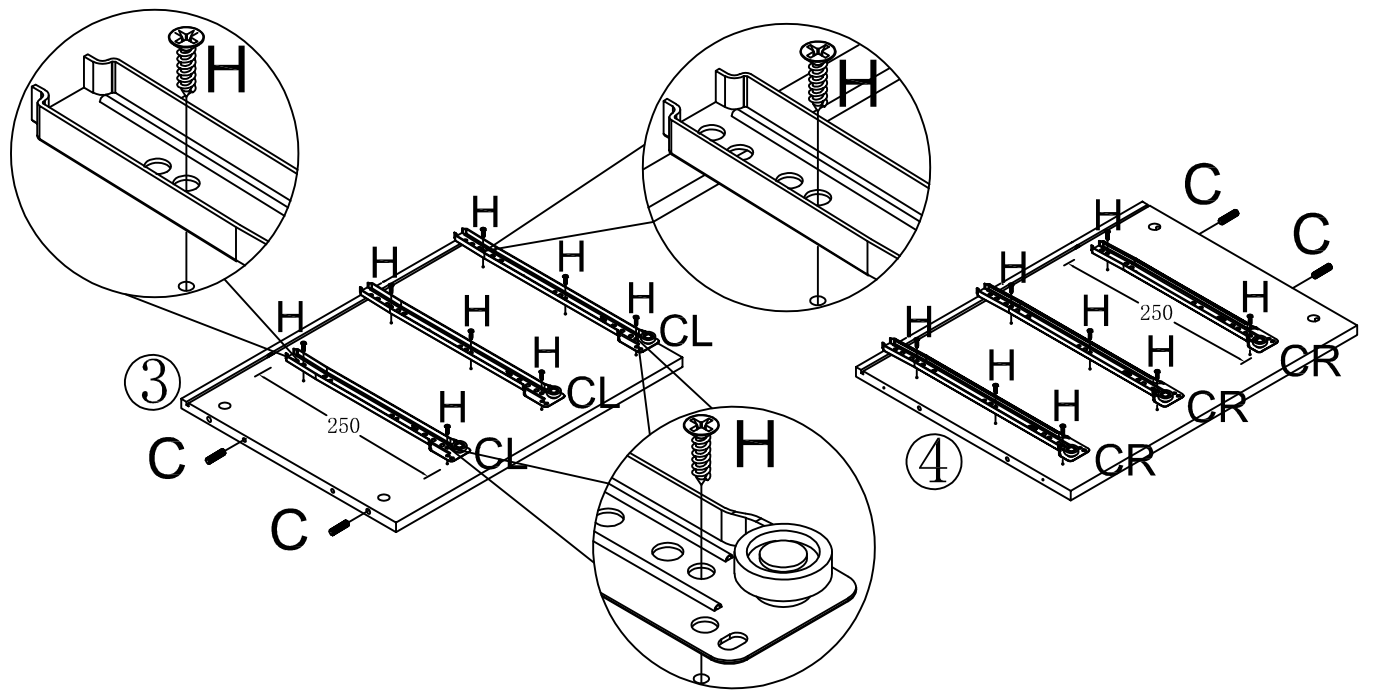
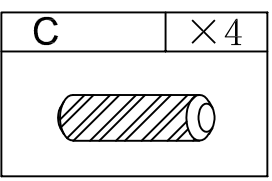
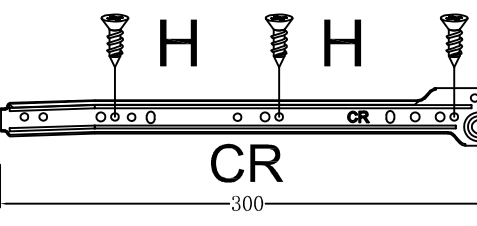
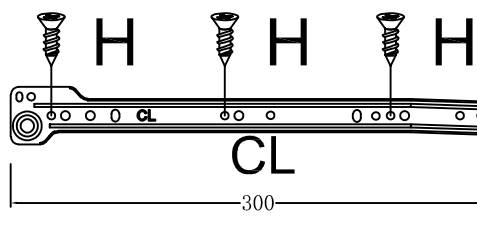
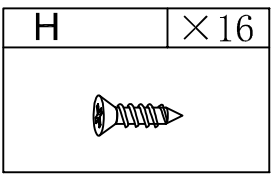
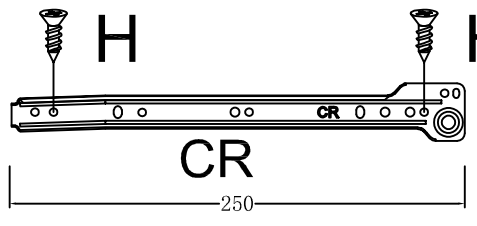
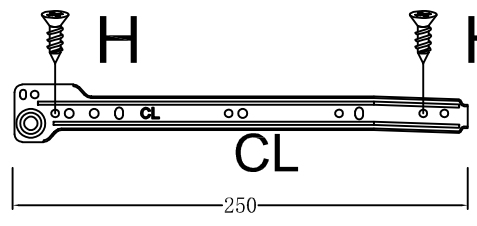
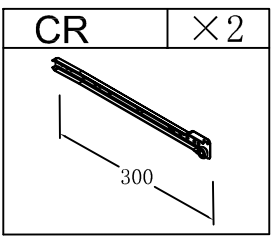
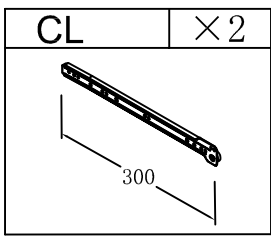
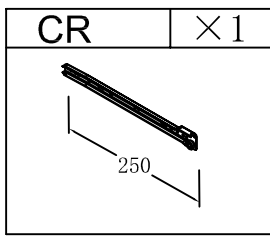
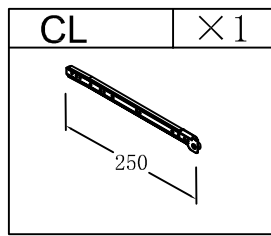
Included Accessories

Code	Description	Qty
1	Cabinet Top	1
2	Bottom Panel	1
3	Left Side Panel	1
4	Right Side Panel	1
5	Back Panel	2
6	Drawer left panel	2
7	Drawer right side panel	2
8	The drawer bottom	2
9	After the drawer board	3
10	Solid wood feet	4
11	The drawer face	3
12	At the bottom of the drawer	2
13	At the bottom of the drawer	1
14	The drawer bottom	1
15	Drawer right side panel	1
16	Drawer left panel	1

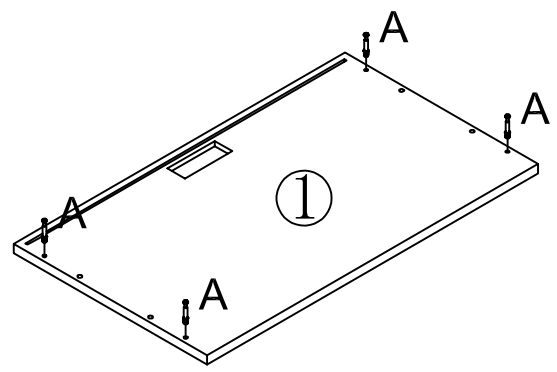
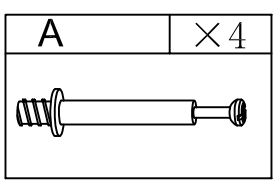
The Accessoriss



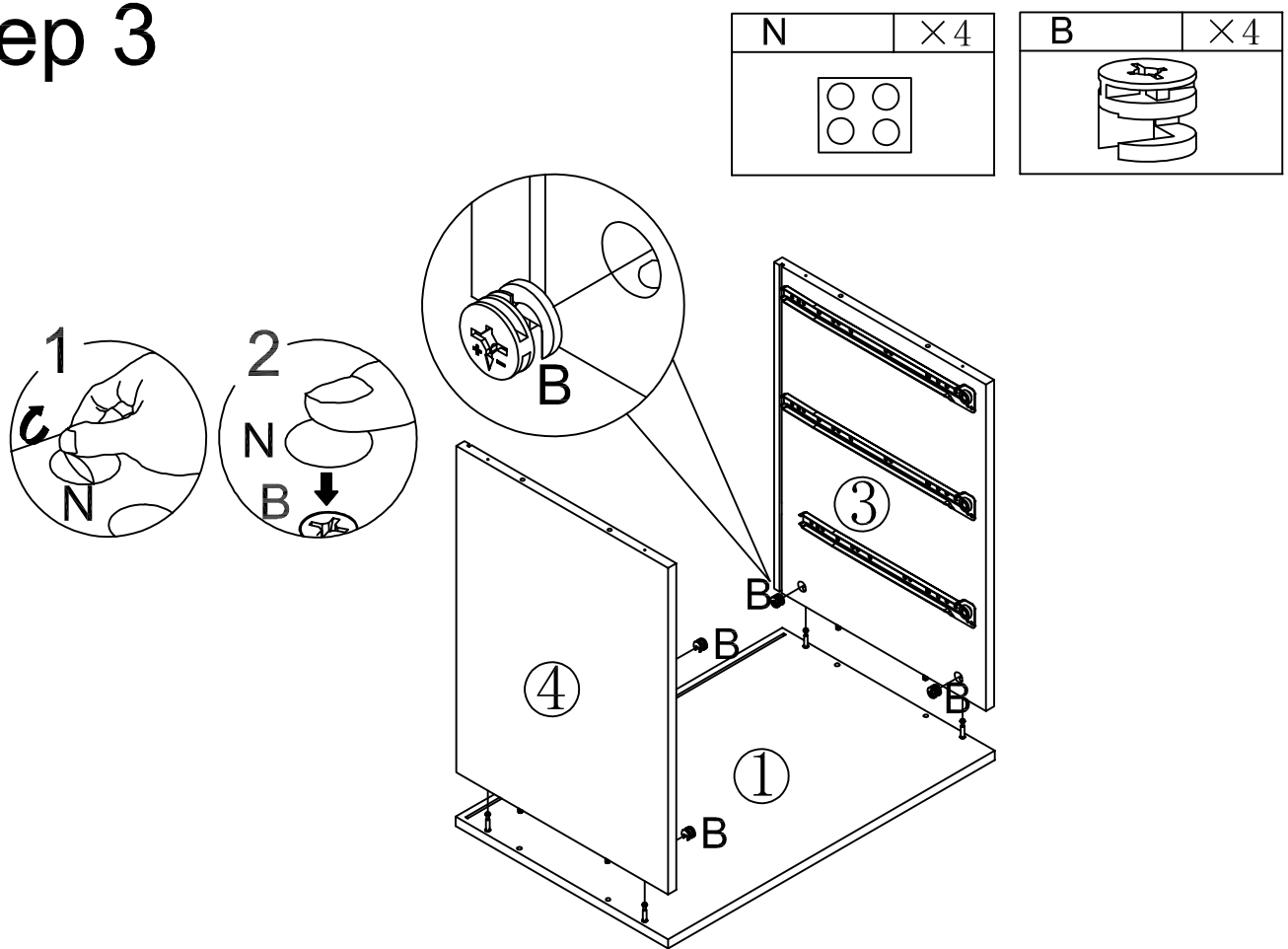
Step 1



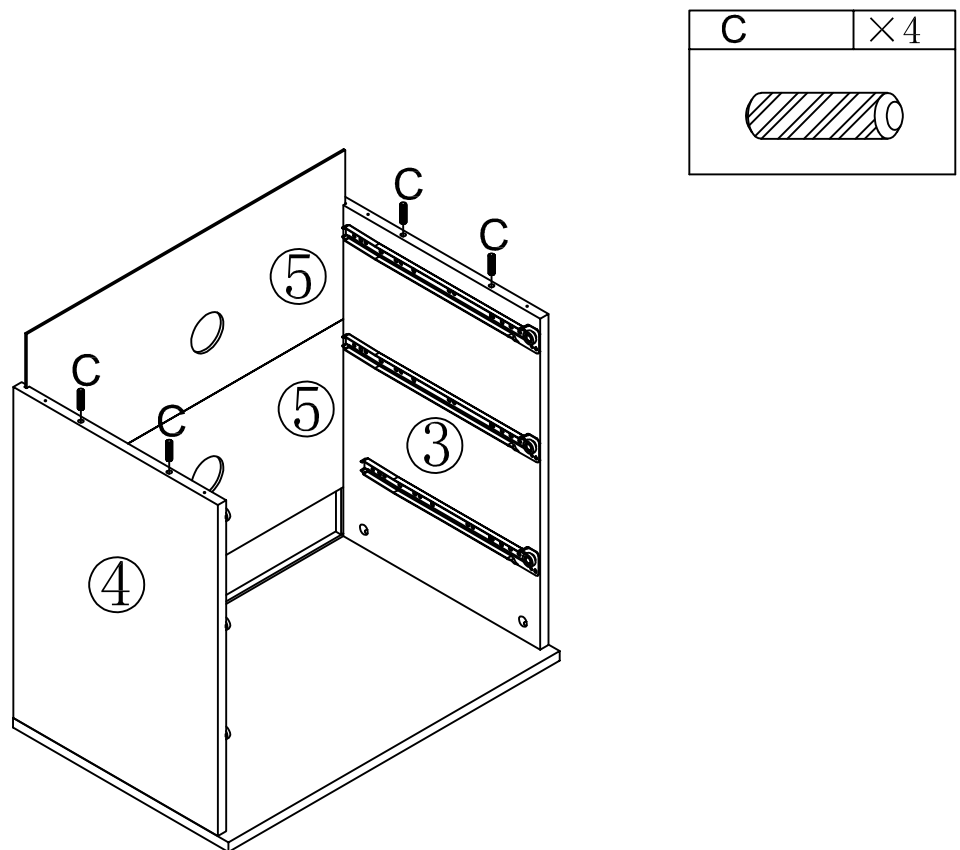
Step 2



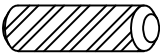



Step 3

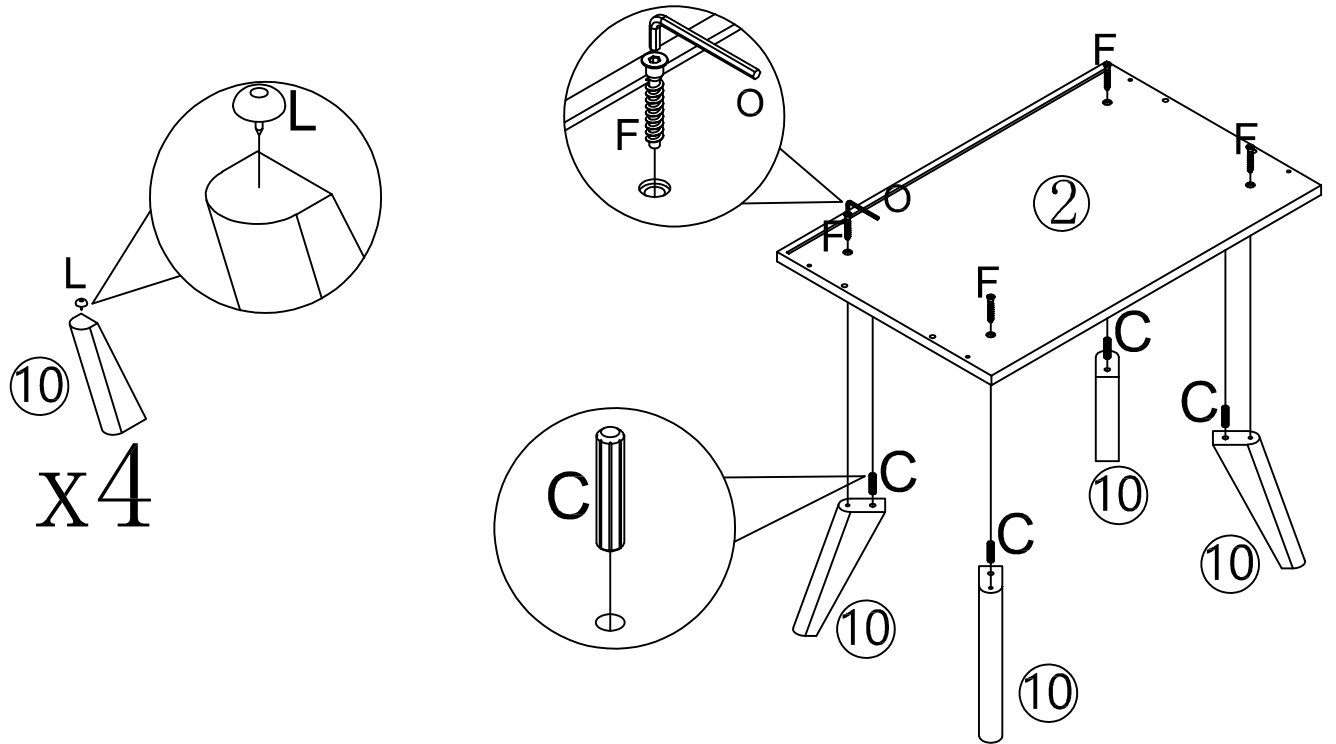


Step 4

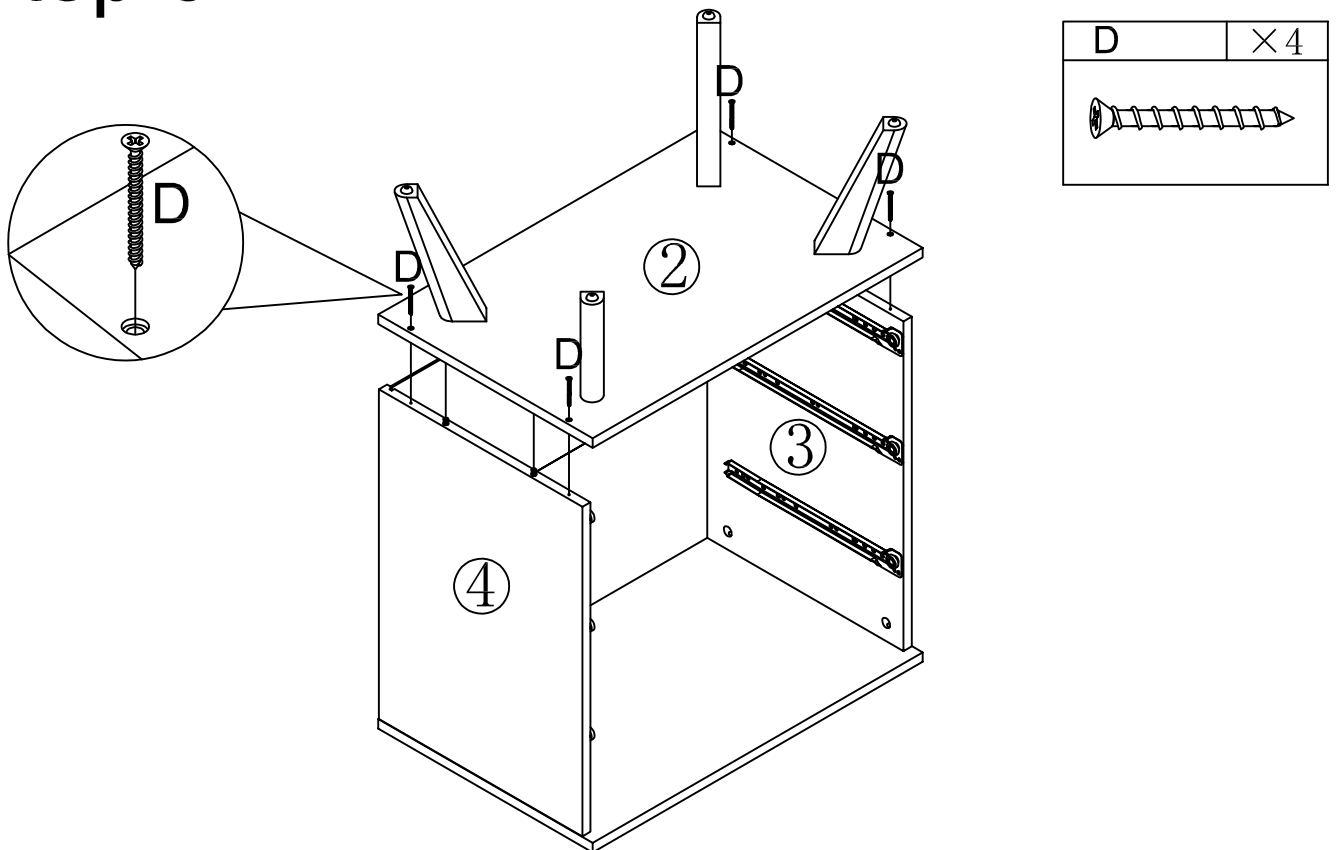


Step 5

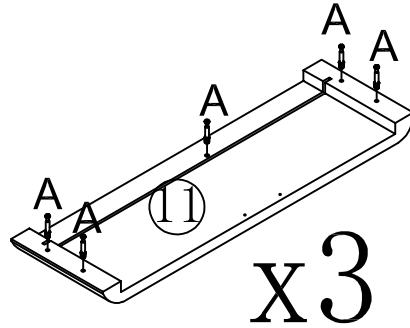
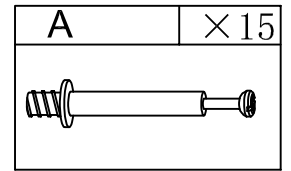
C	×4	F	×4	L	×4	O	×1
							



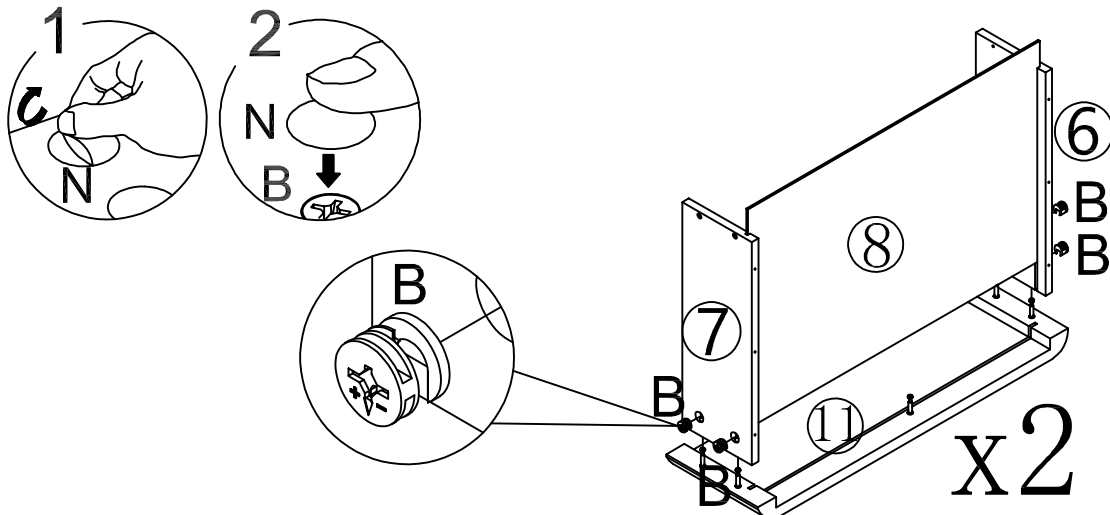
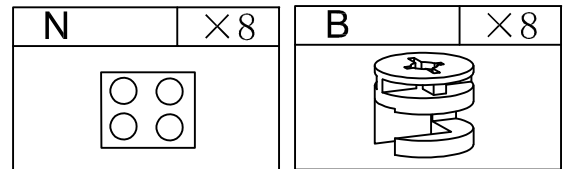
Step 6



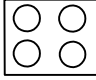

Step 7

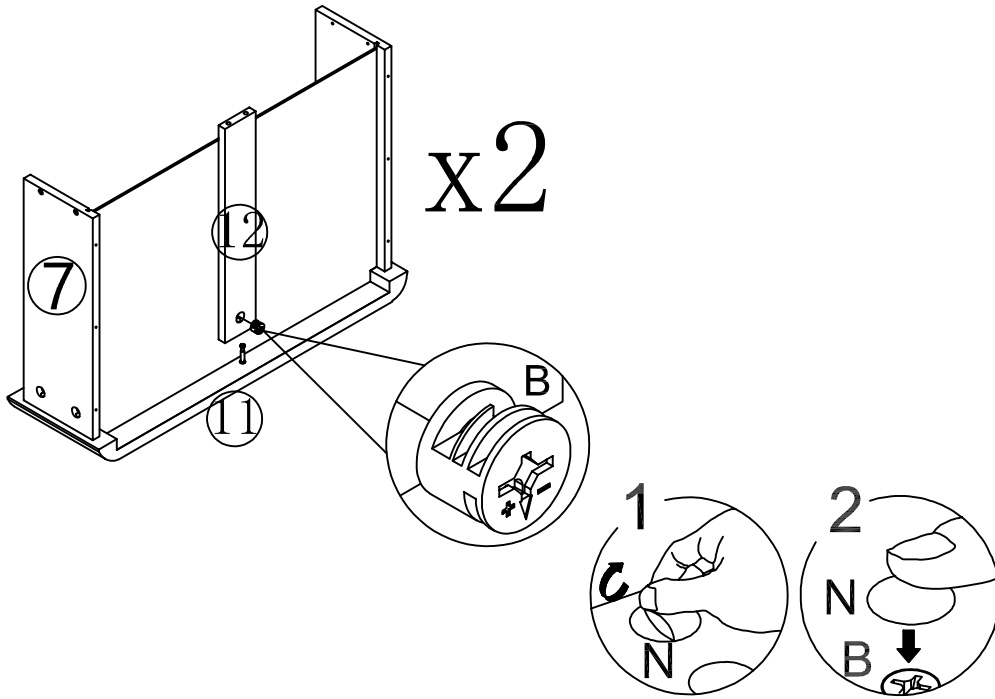


Step 8

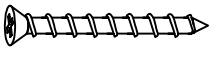


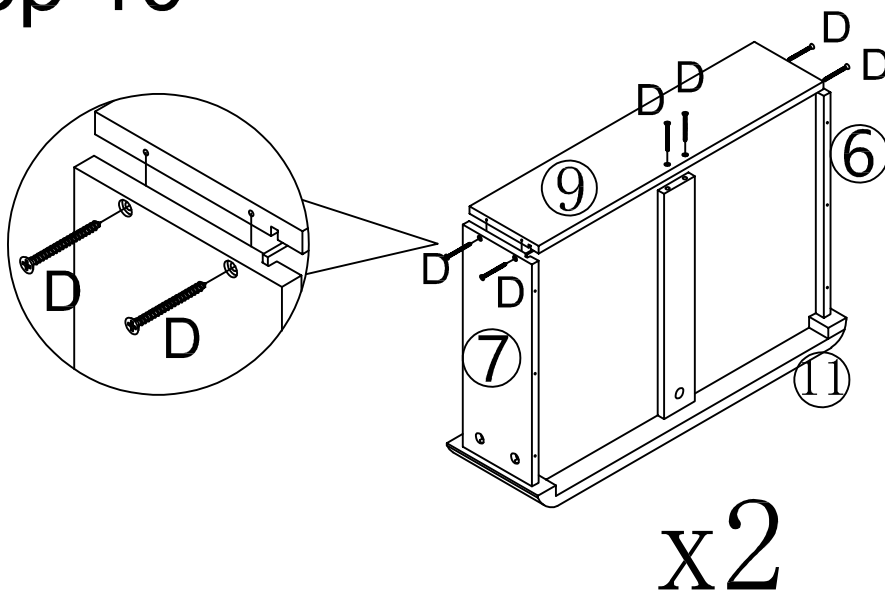
Step 9

N	×2	B	×2
			

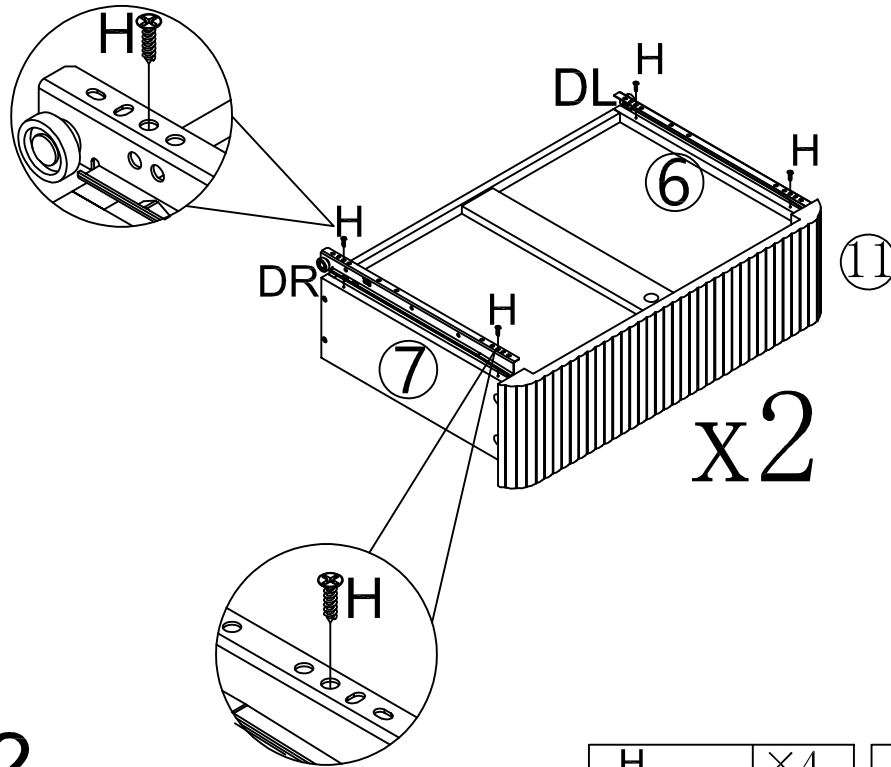
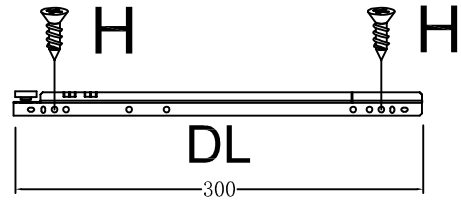
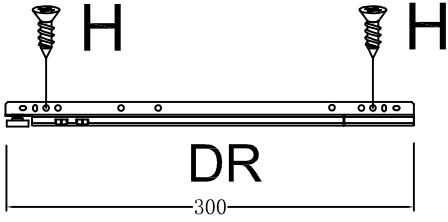
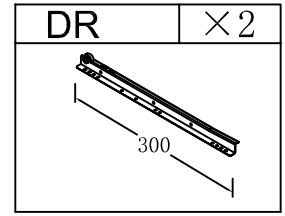
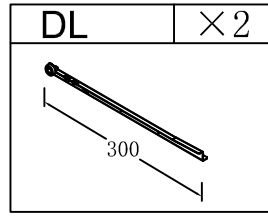
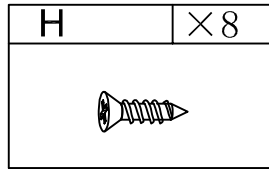


Step 10

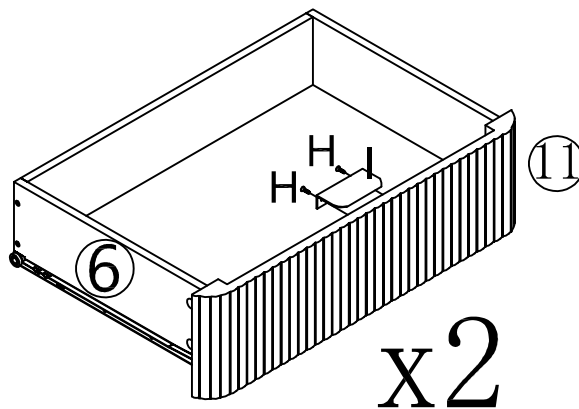
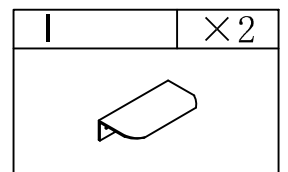
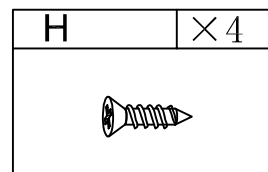
D	×12
	



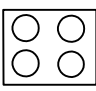
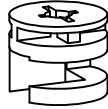
Step 11

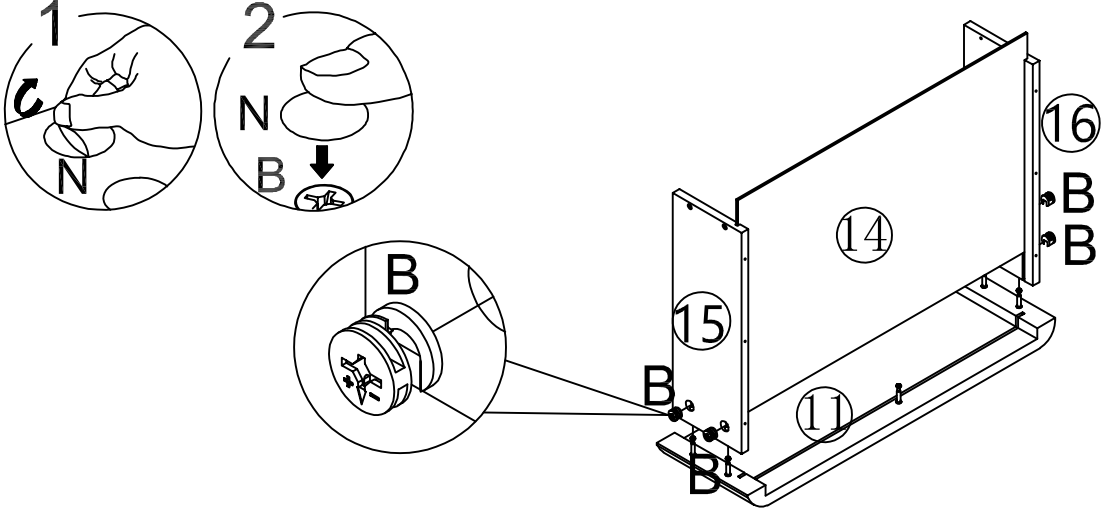


Step 12

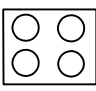
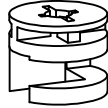


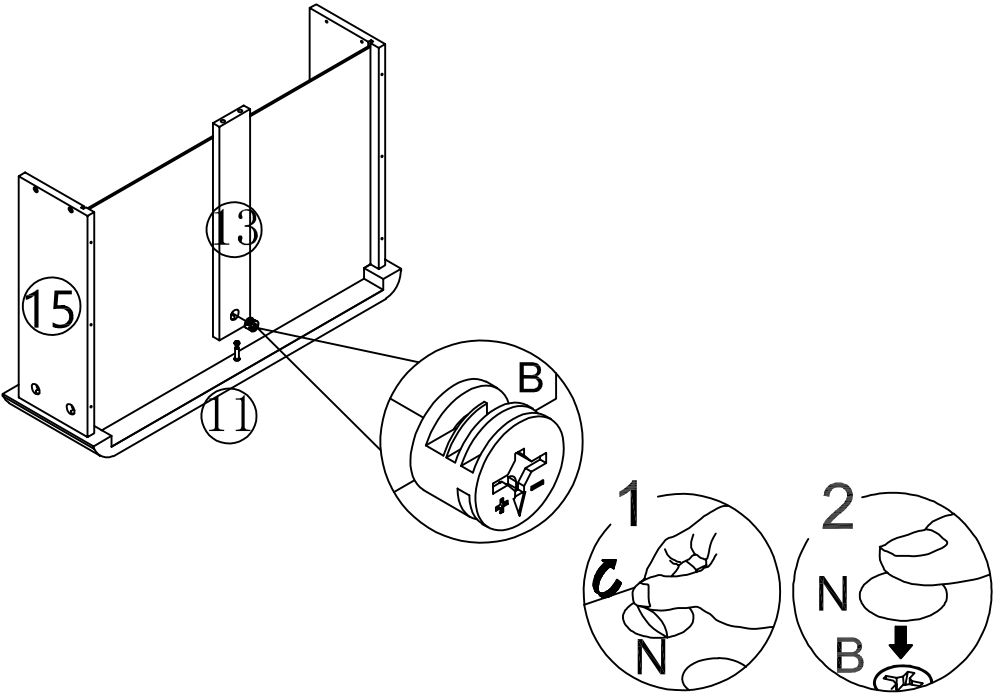
Step 13

N	×4	B	×4
			

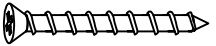


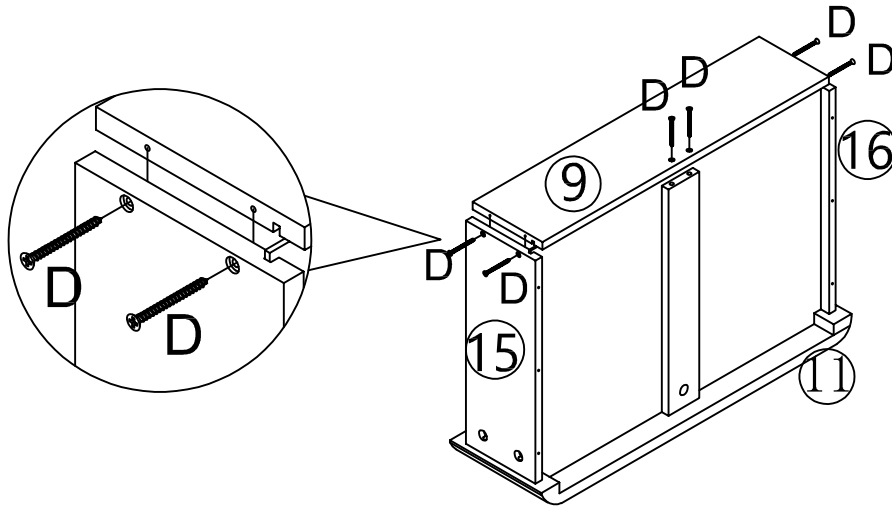
Step 14

N	×1	B	×1
			




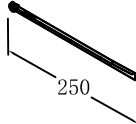
Step15

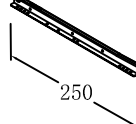
D	×6
	

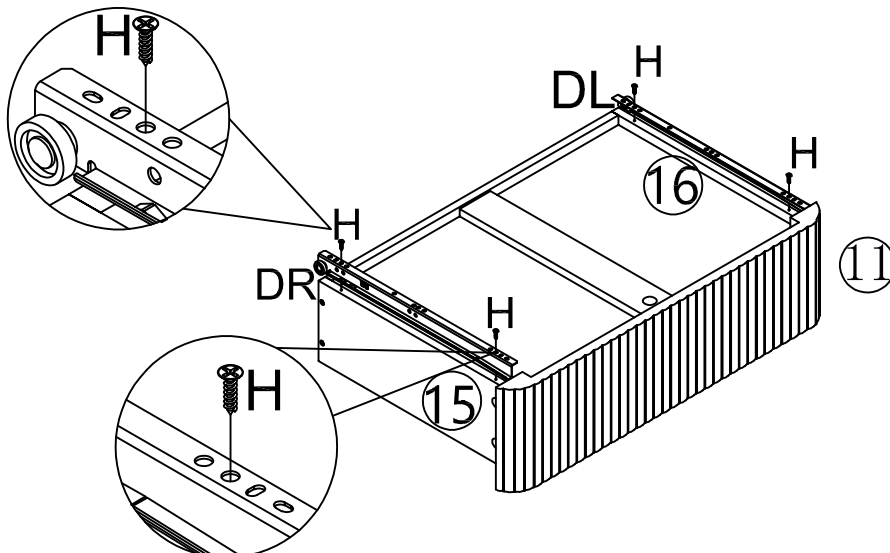
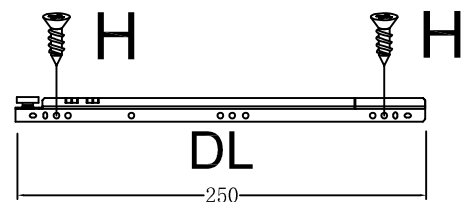
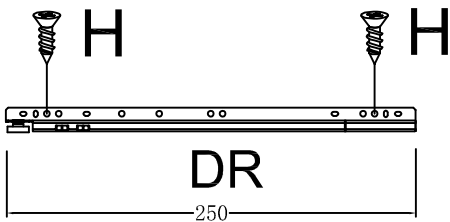


Step16



H	×4
	

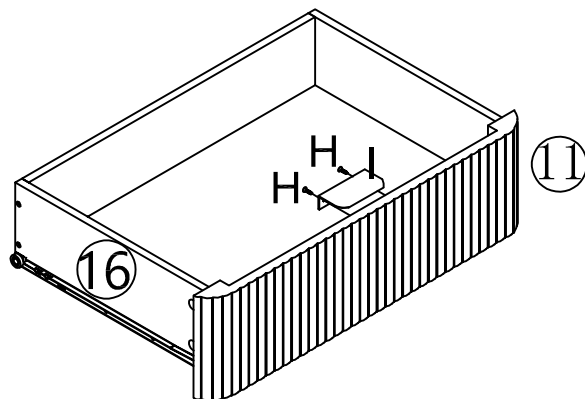
DL	×1
	

DR	×1
	

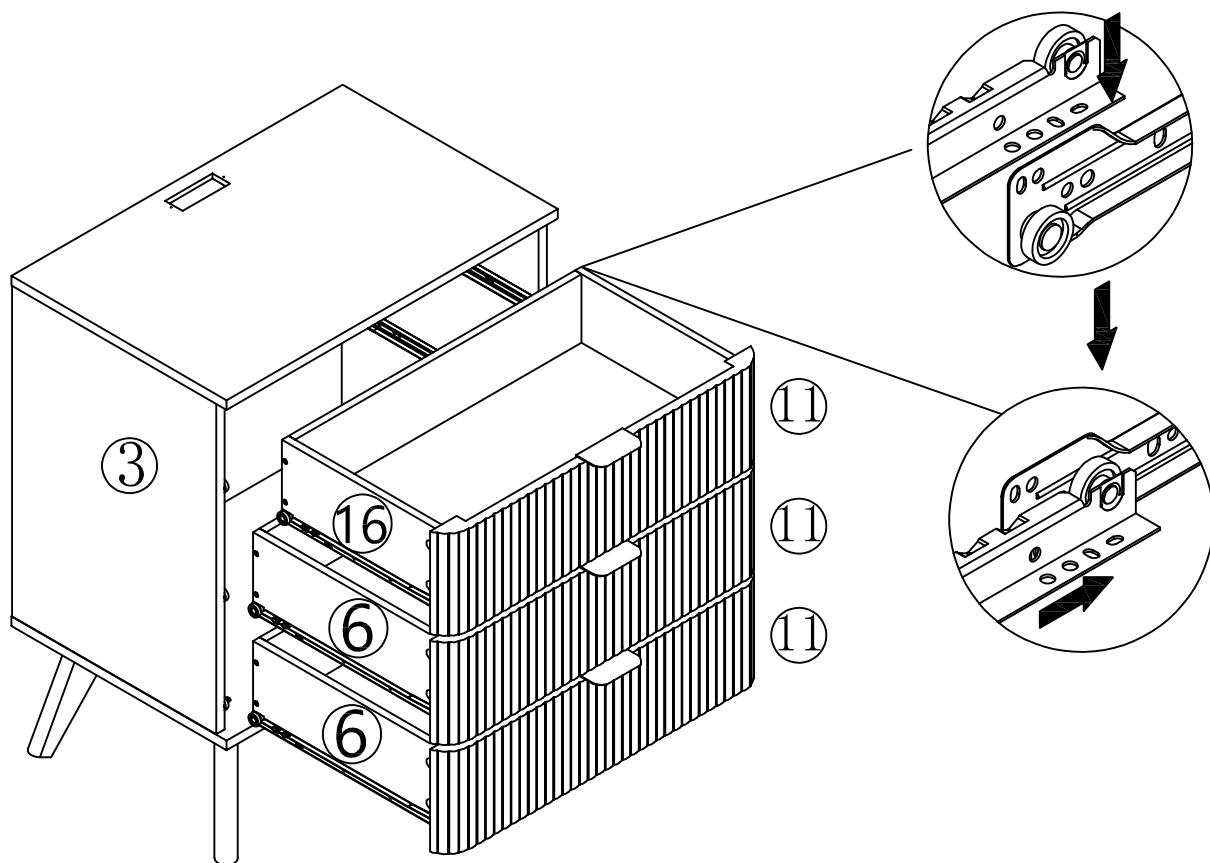


Step 17

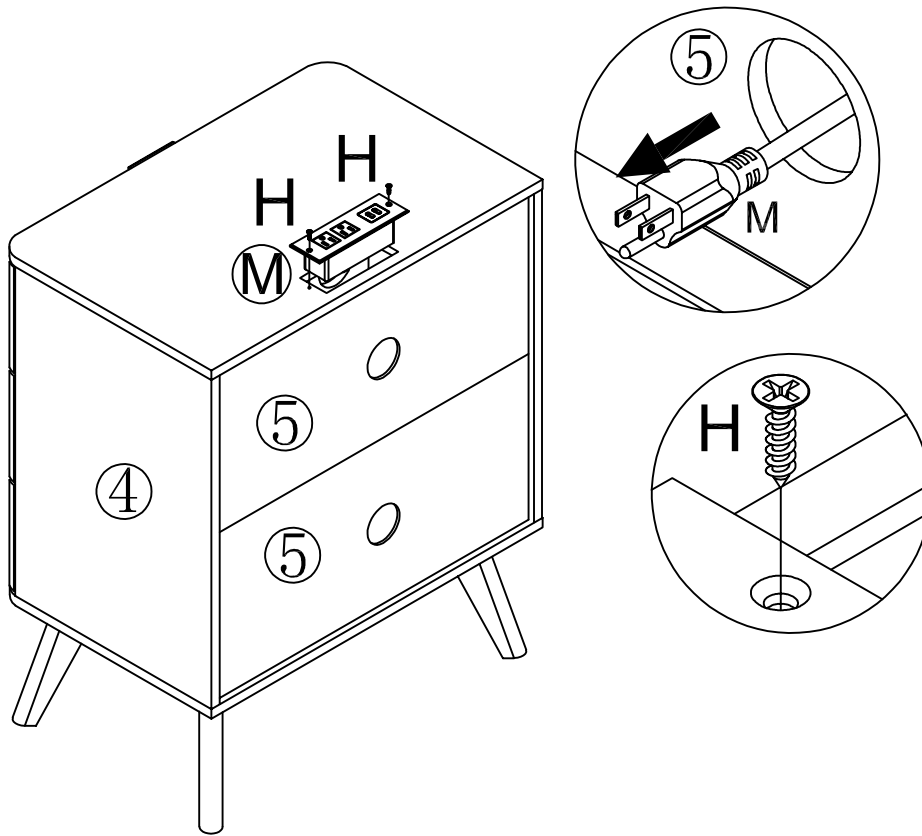
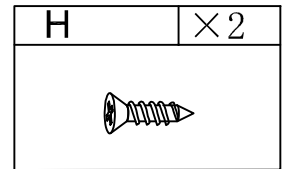
H	×2	I	×1
			



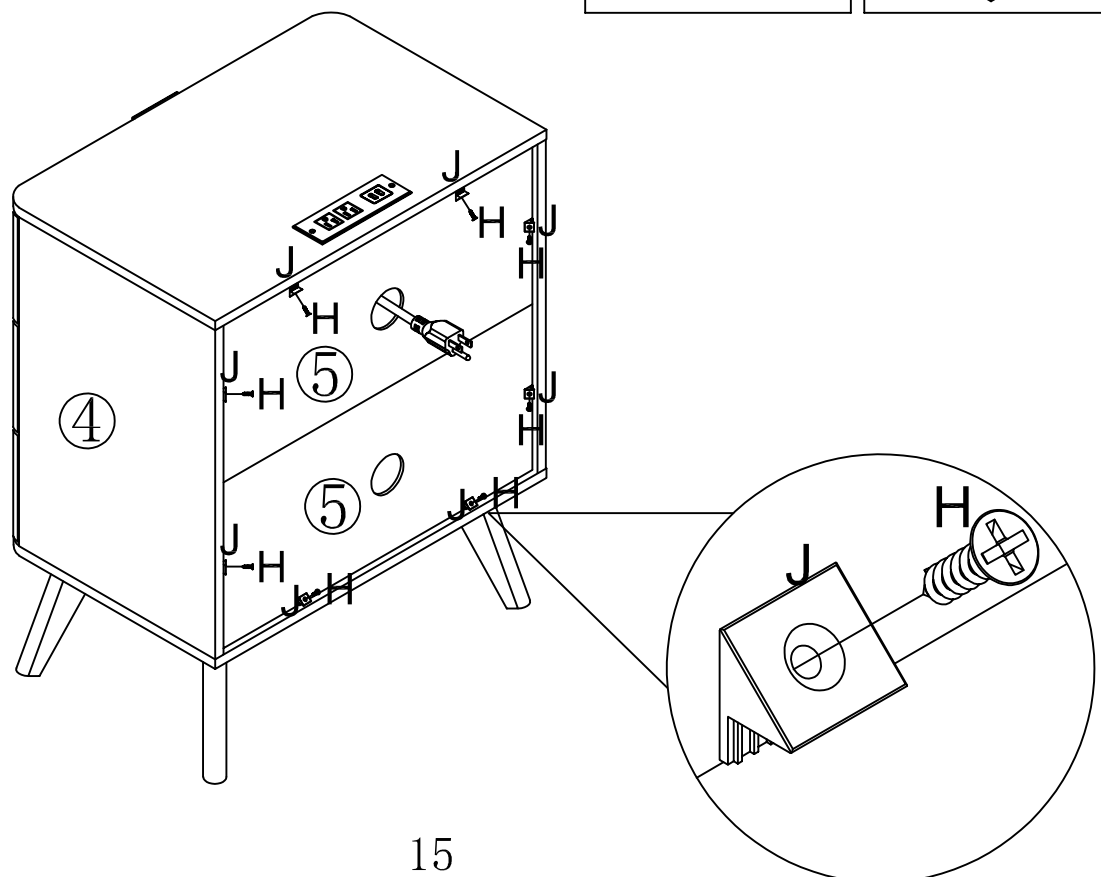
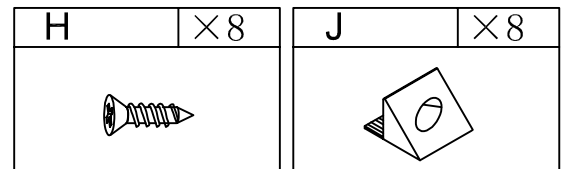
Step 18



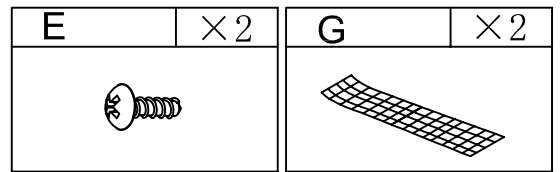
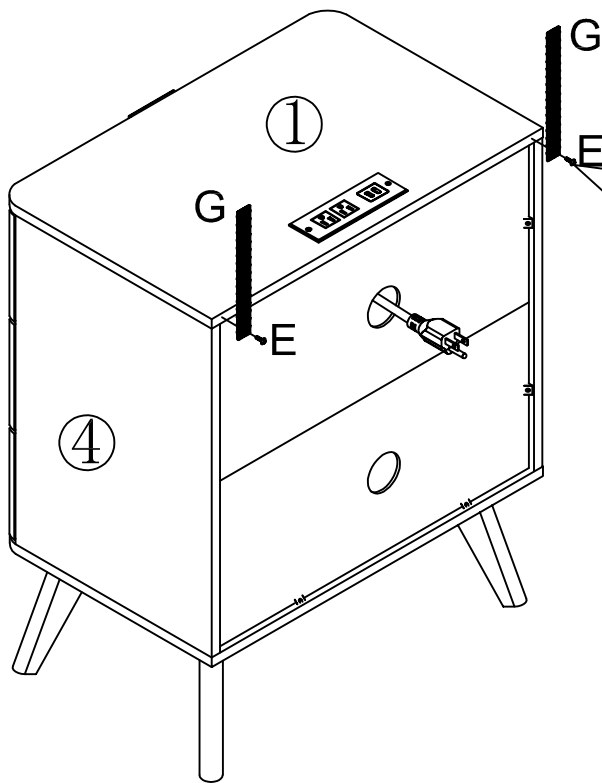
Step 19



Step 20



Step21



Step22

