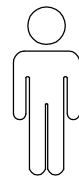
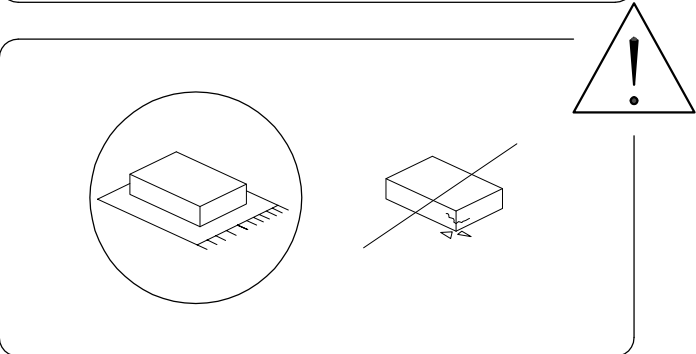
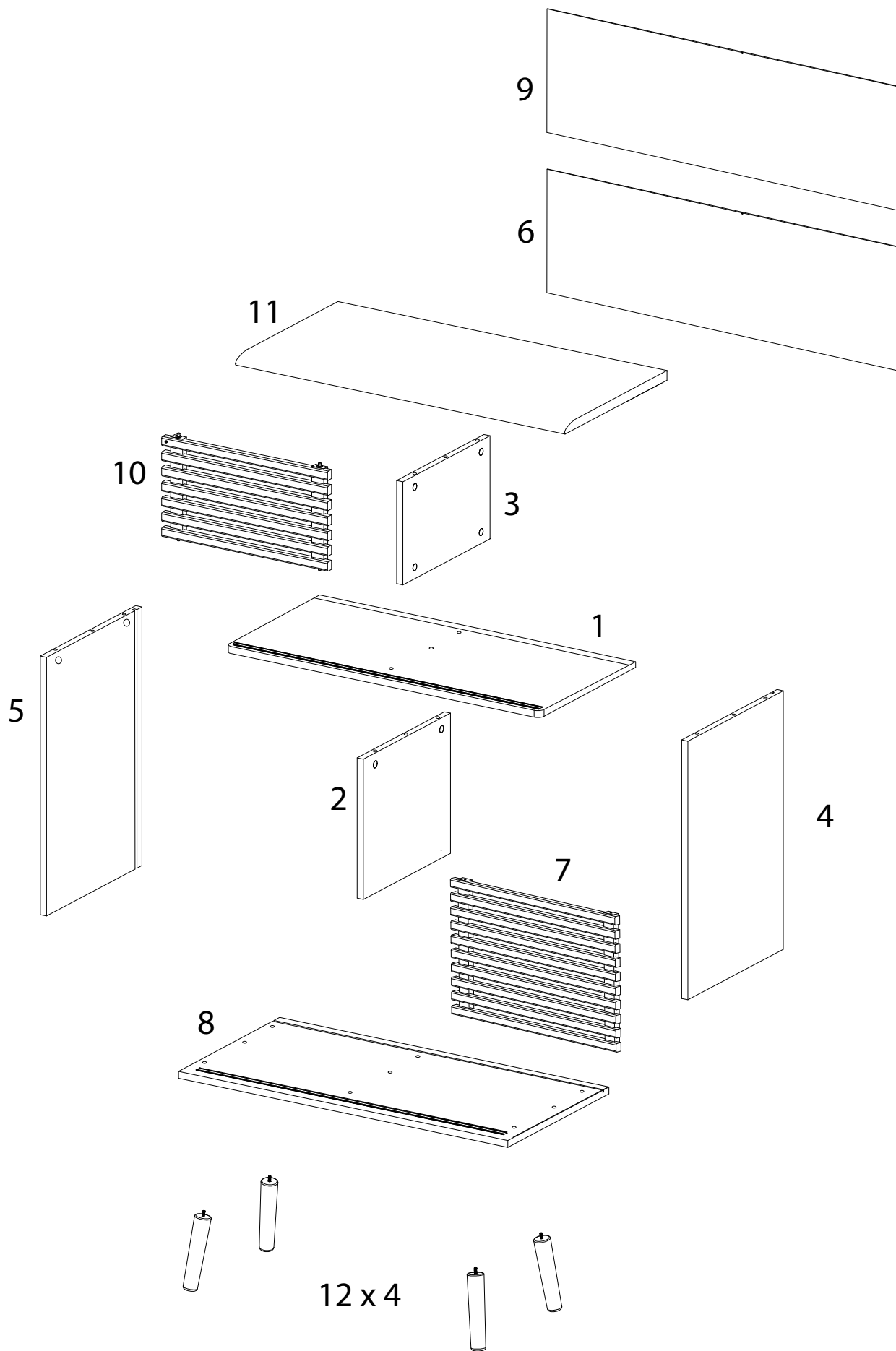

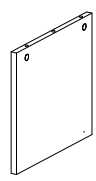
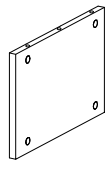


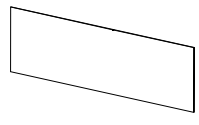
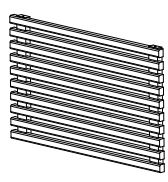
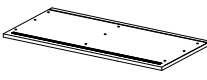
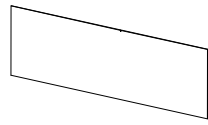
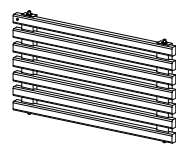
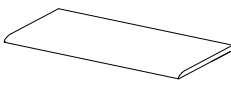

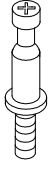


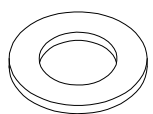
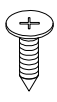
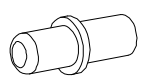
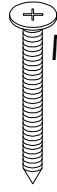
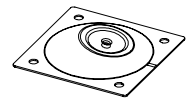
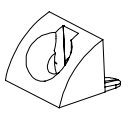
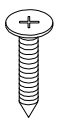
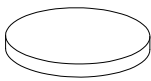
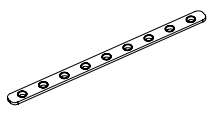



45'

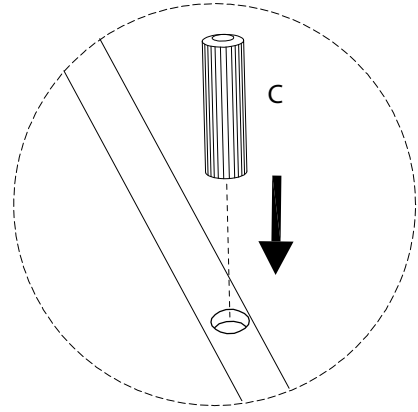
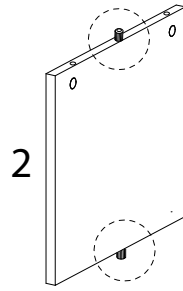
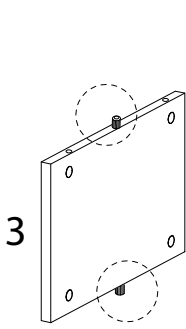
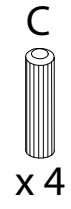
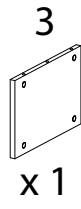
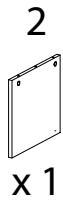


2

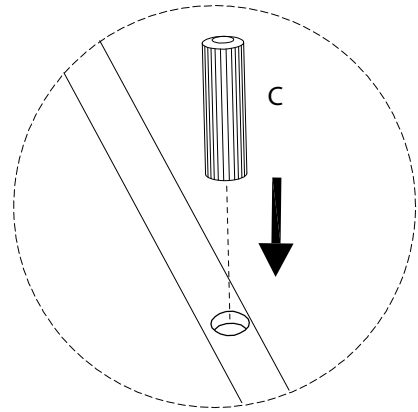
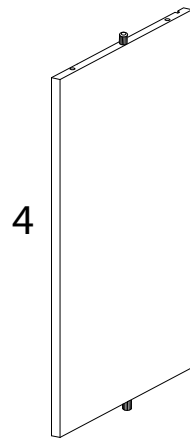
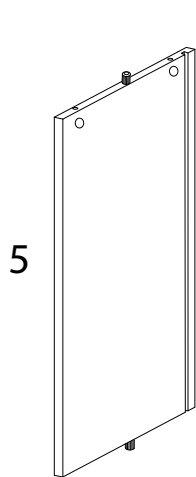
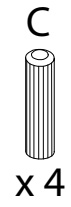
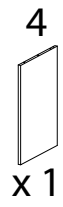


1  x 1	2  x 1	3  x 1	4  x 1	5  x 1
6  x 1	7  x 1	8  x 1	9  x 1	10  x 1
11  x 1	12  x 4	A  x 14	B  x 14	C  x 10
D  x 16	E  M4 x 15 x 16	F  x 8	G  M8 x 50 x 6	H  x 4
I  x 8	J  M5 x 19 x 8	K  x 10	L  x 1	M  M5 x 16 x 1

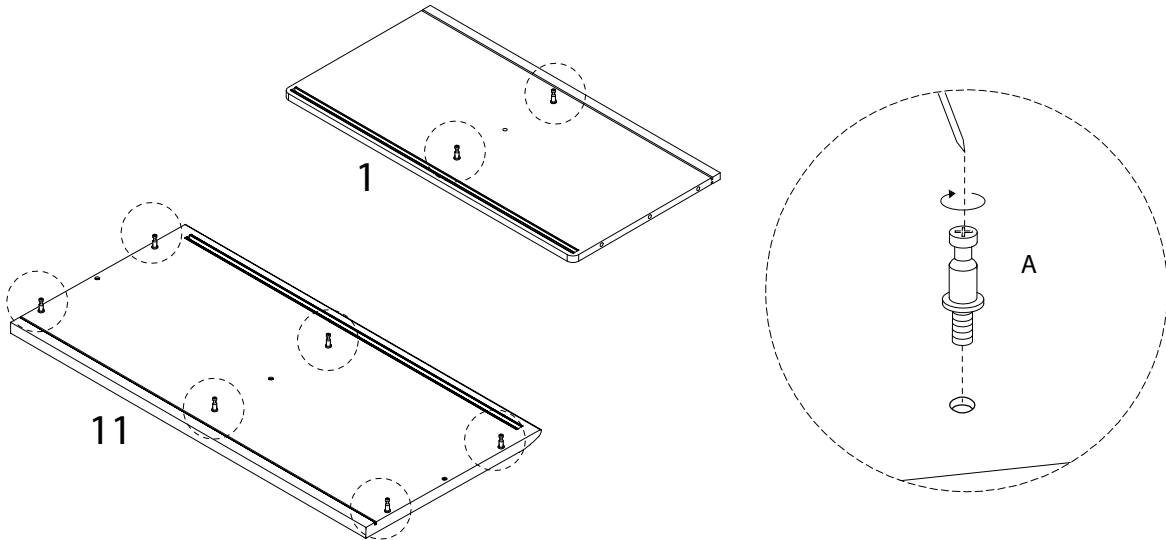
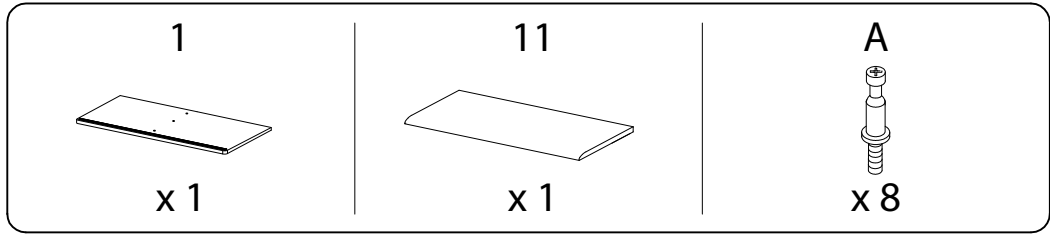
1



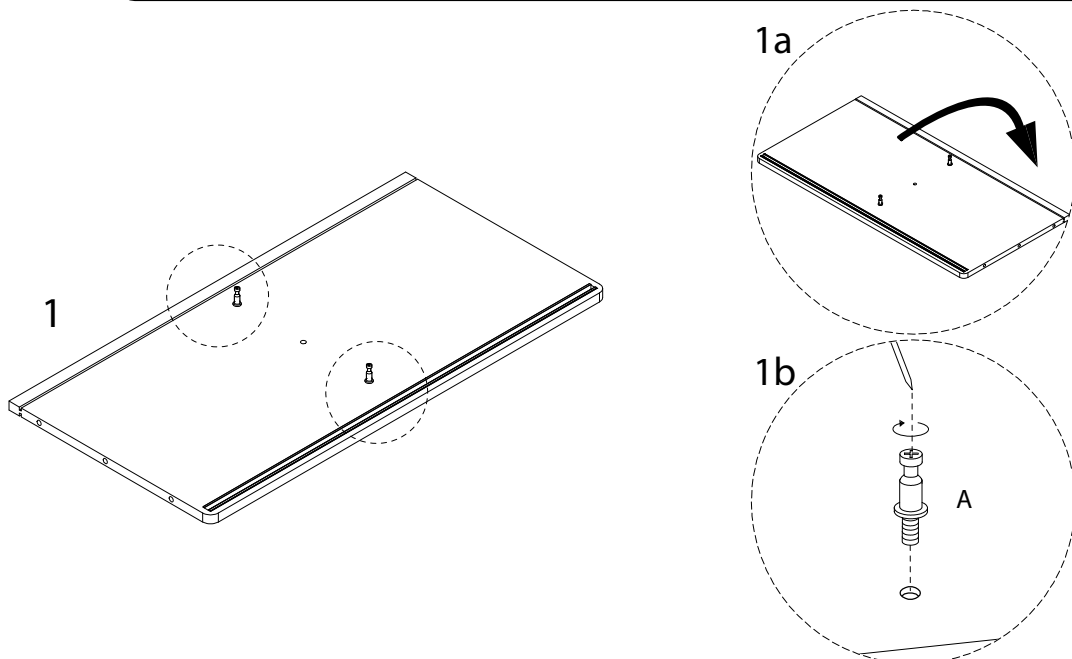
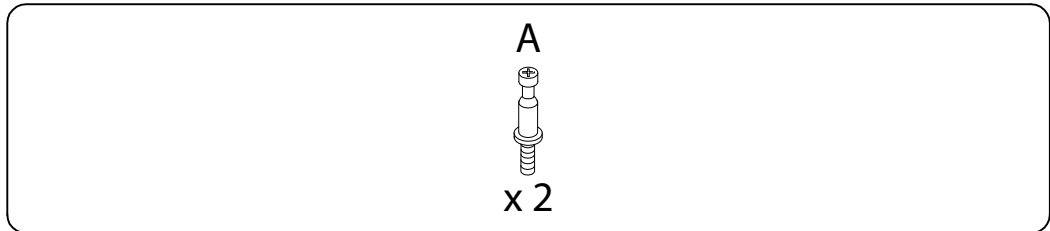
2



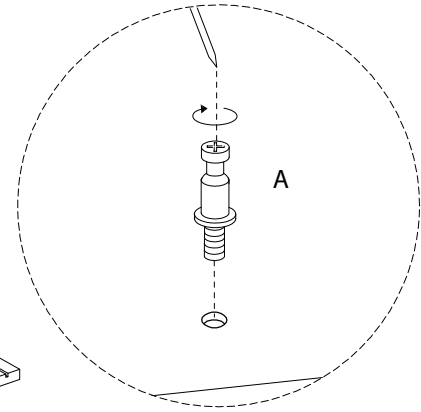
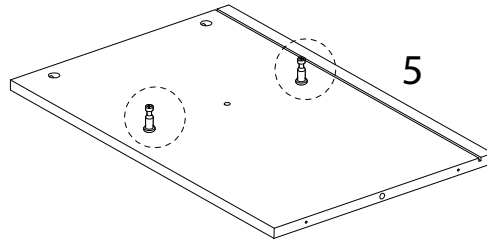
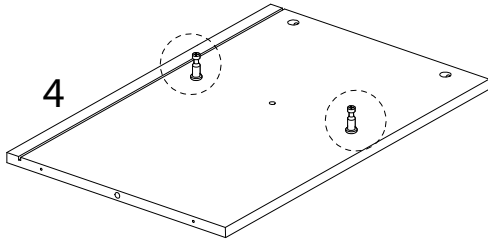
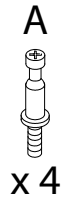
3



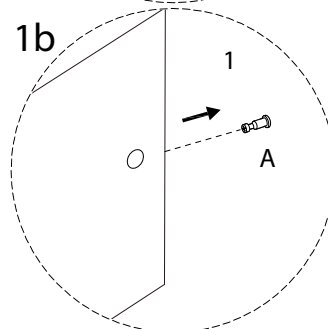
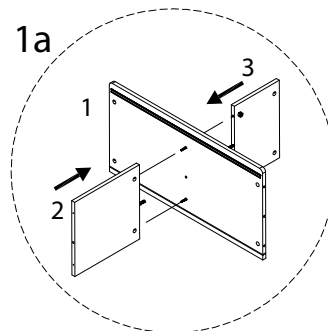
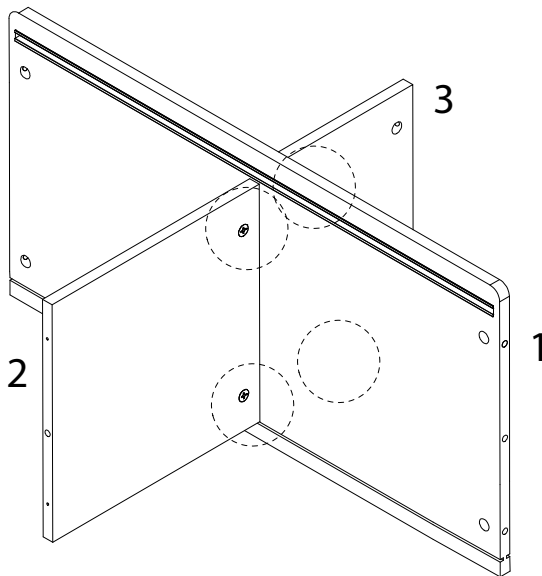
4



5



6

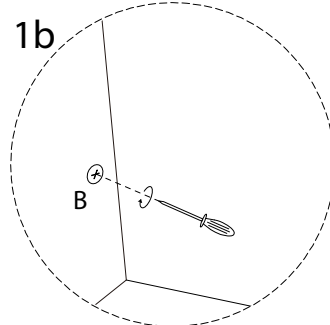
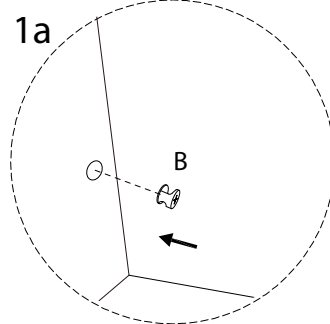
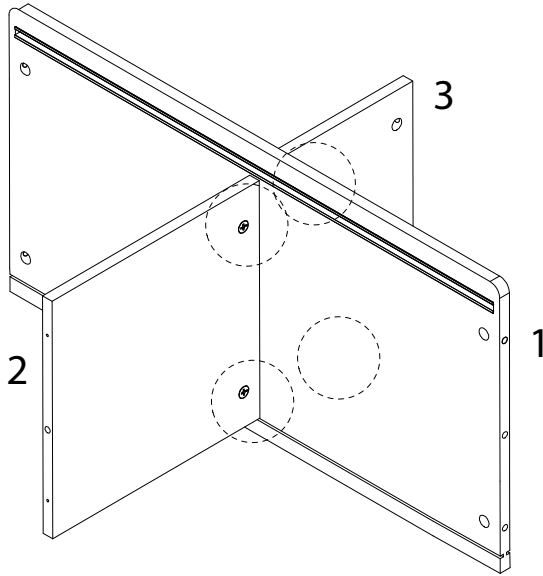


7

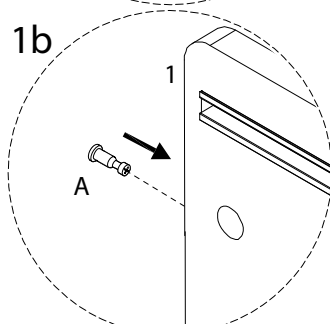
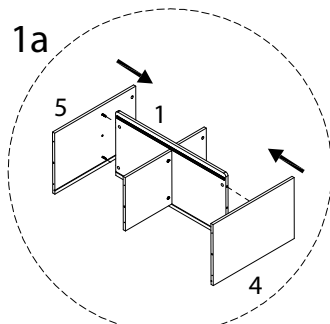
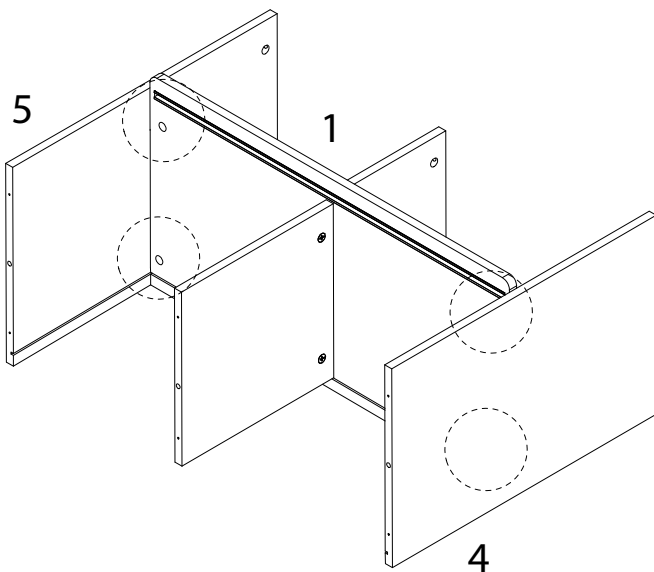
B



x 4



8

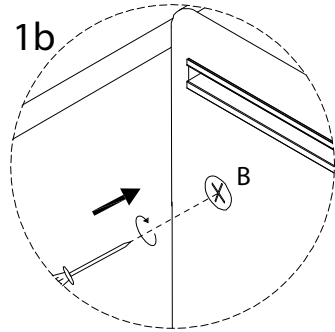
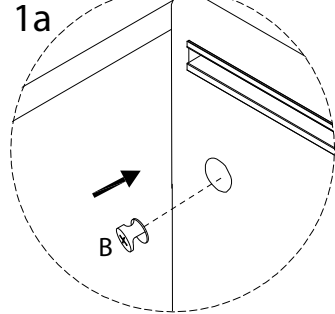
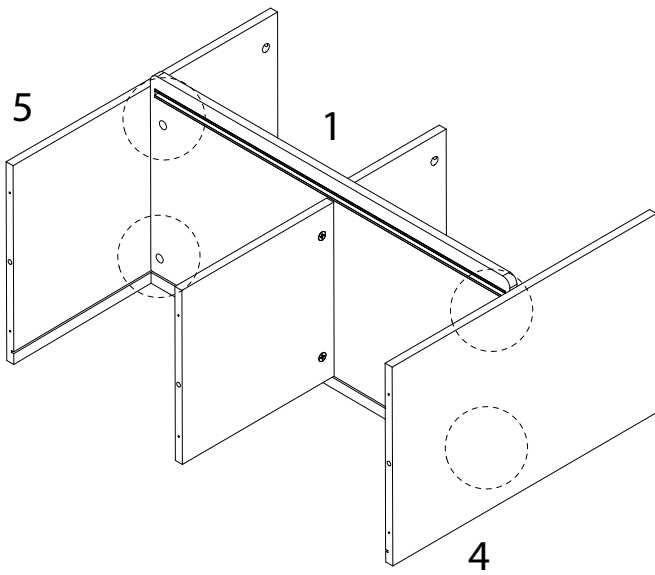


9

B

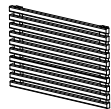


x 4



10

7



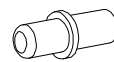
x 1

10

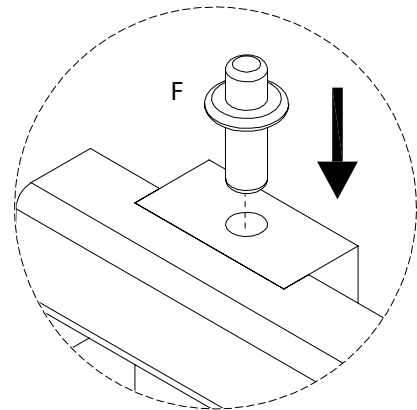
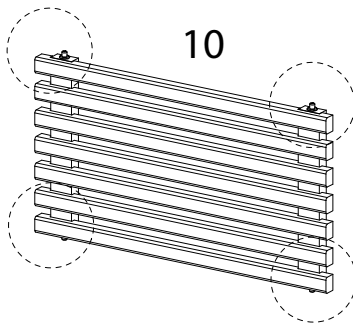
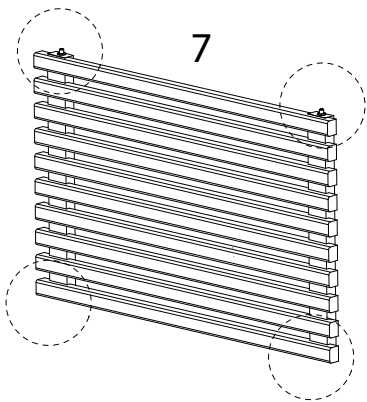


x 1

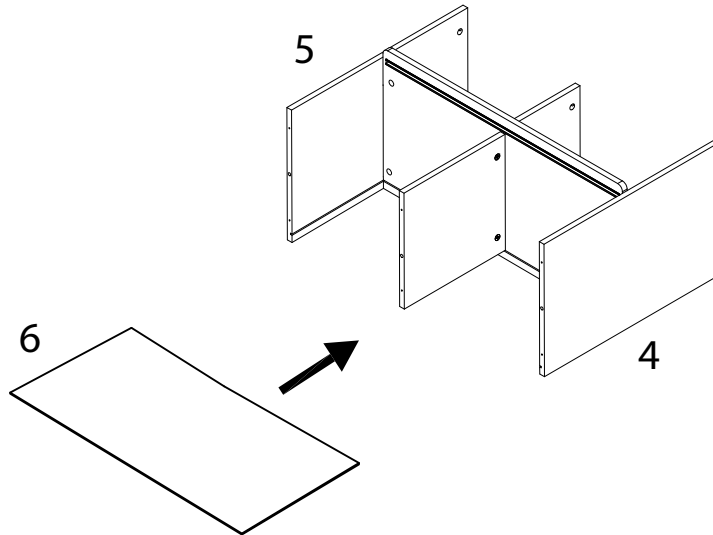
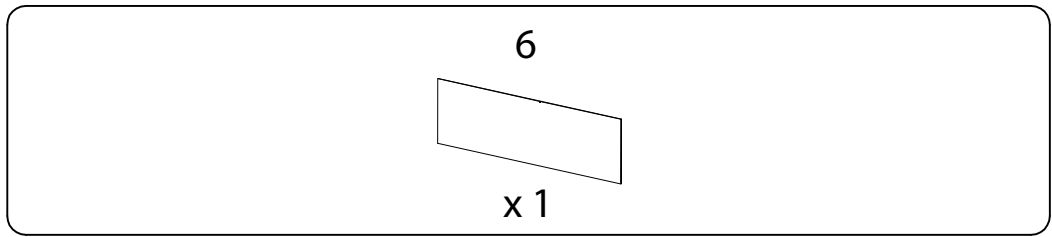
F



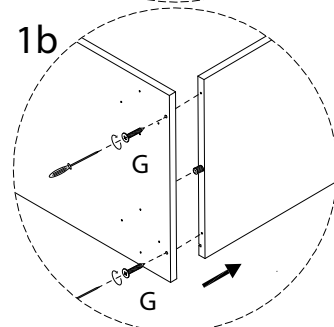
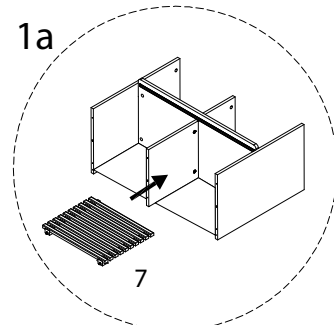
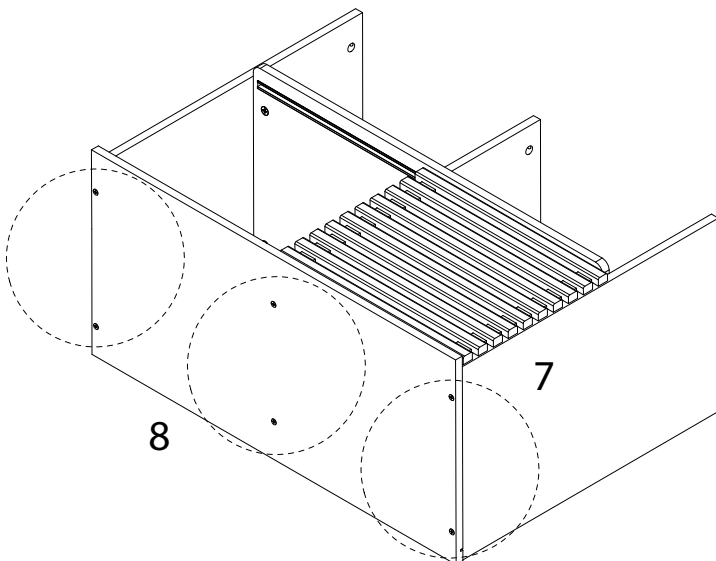
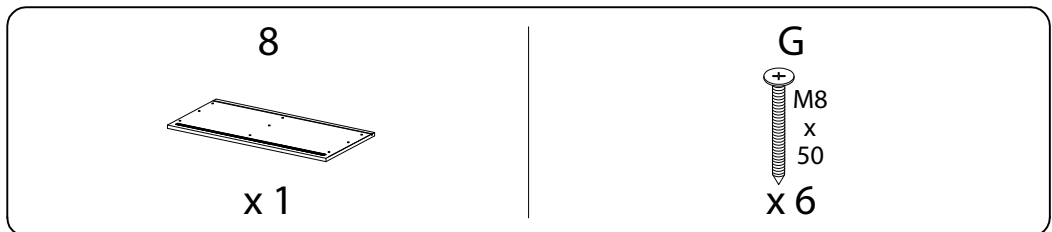
x 8



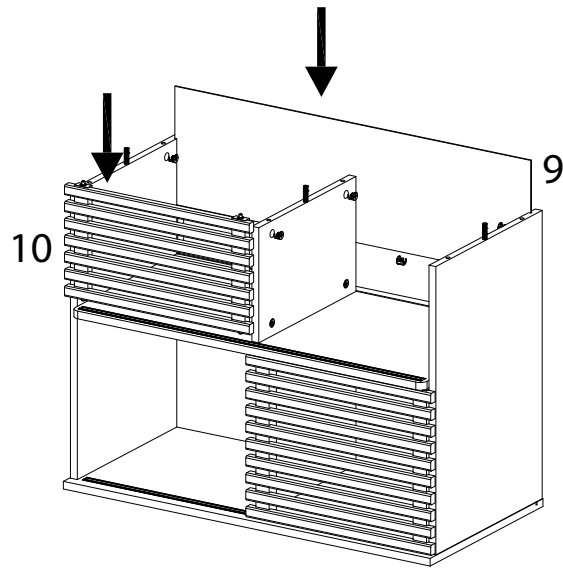
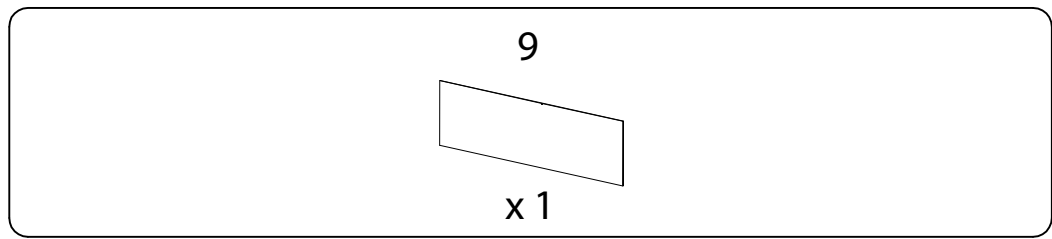
11



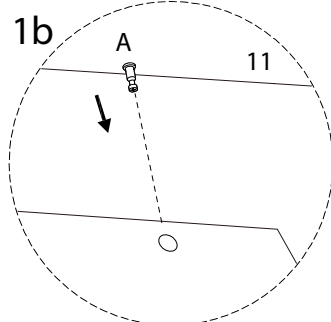
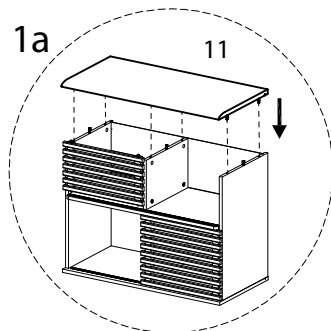
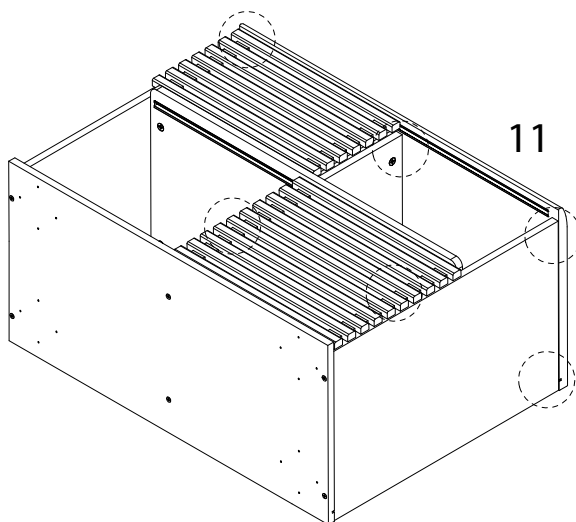
12



13



14

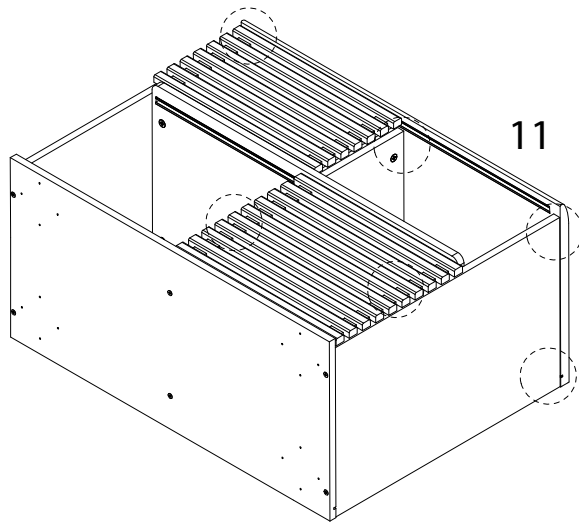


15

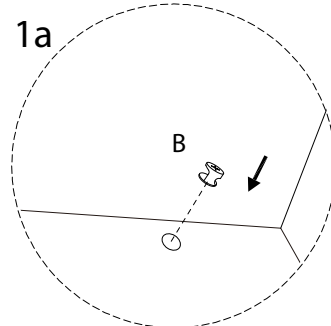
B



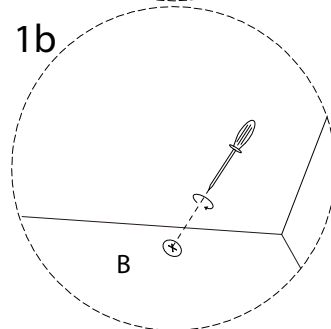
x 6



1a

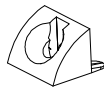


1b



16

J

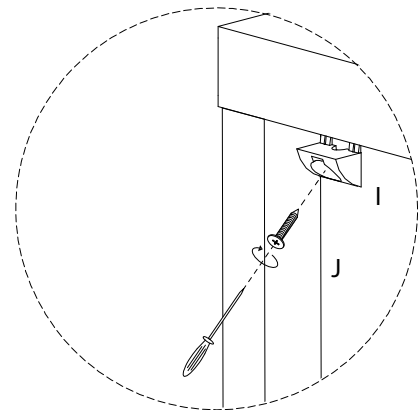
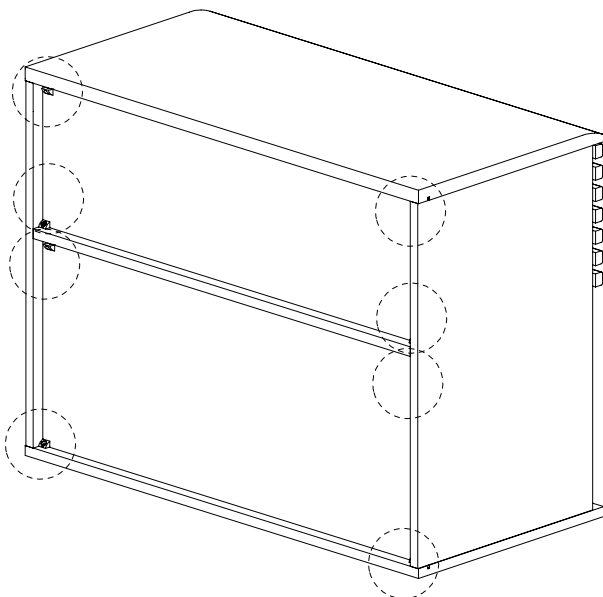


x 8

I

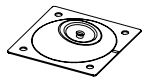


x 8



17

H



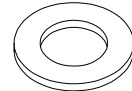
x 4

E

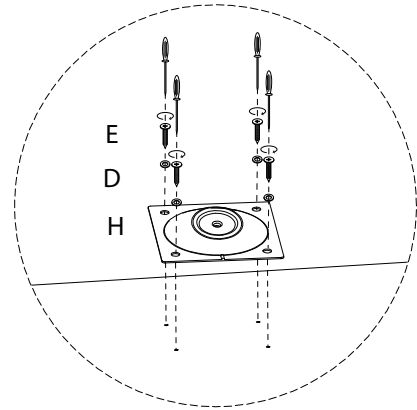
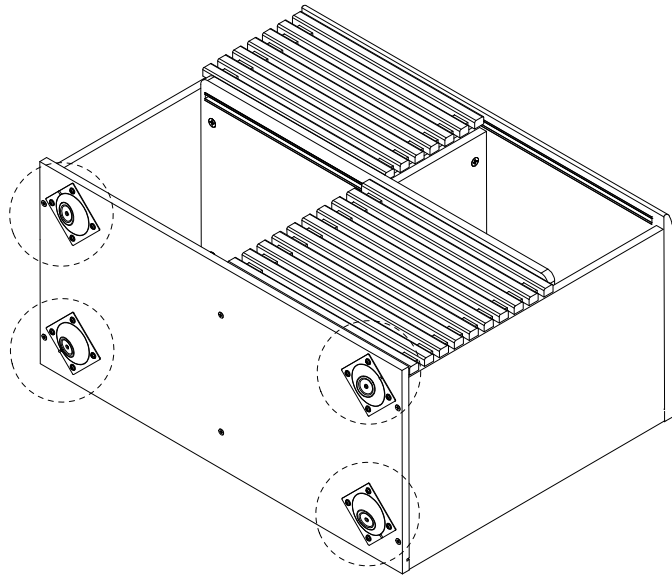


x 16

D



x 16

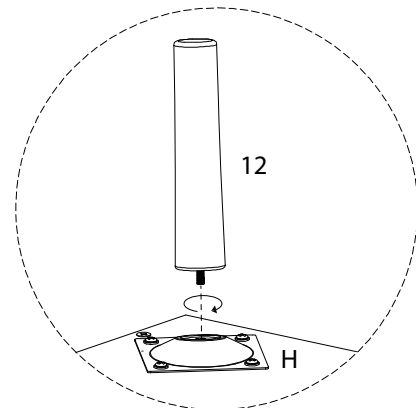
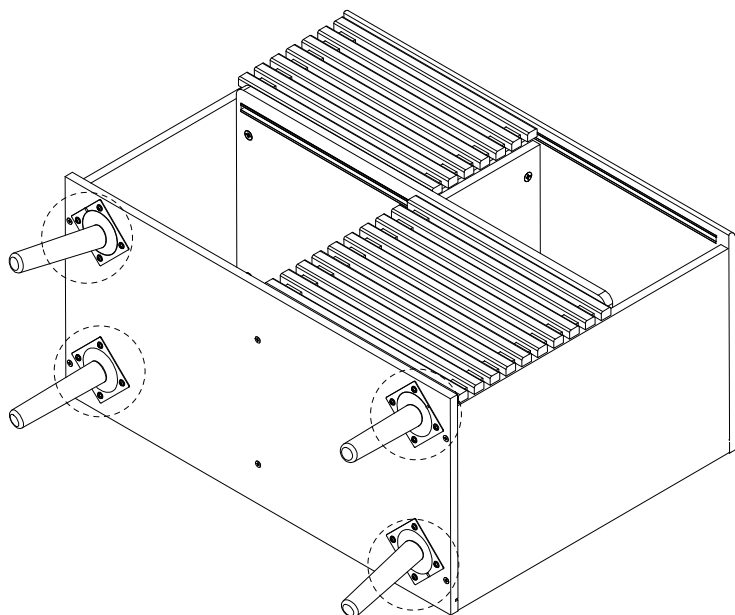


18

12



x 4

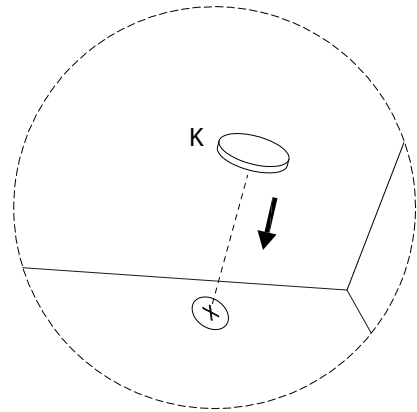
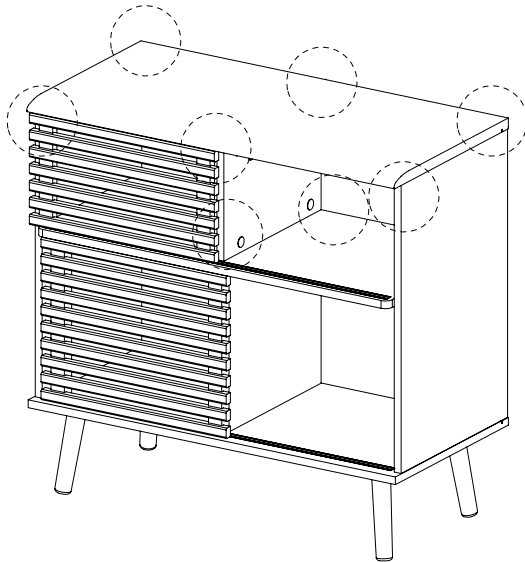


19

K

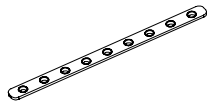


x 10



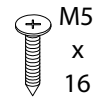
20

L



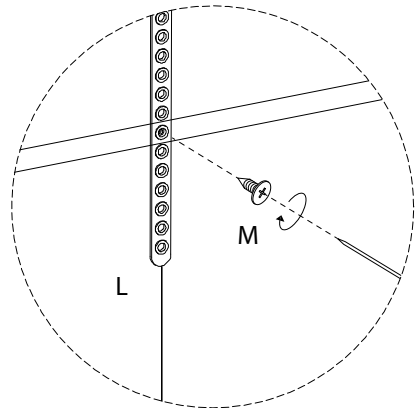
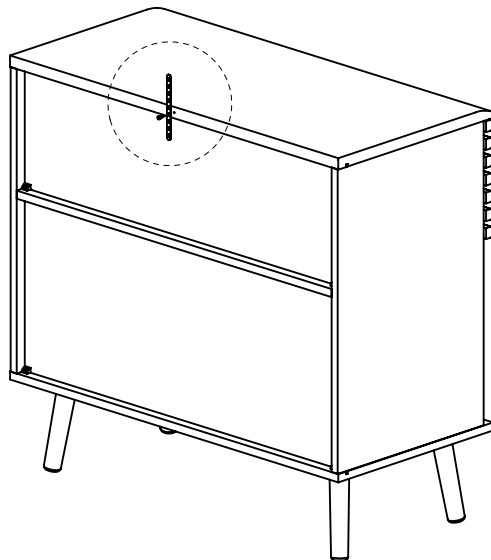
x 1

M



x 16

x 1



21

