
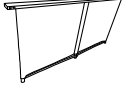

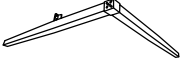
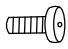

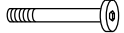






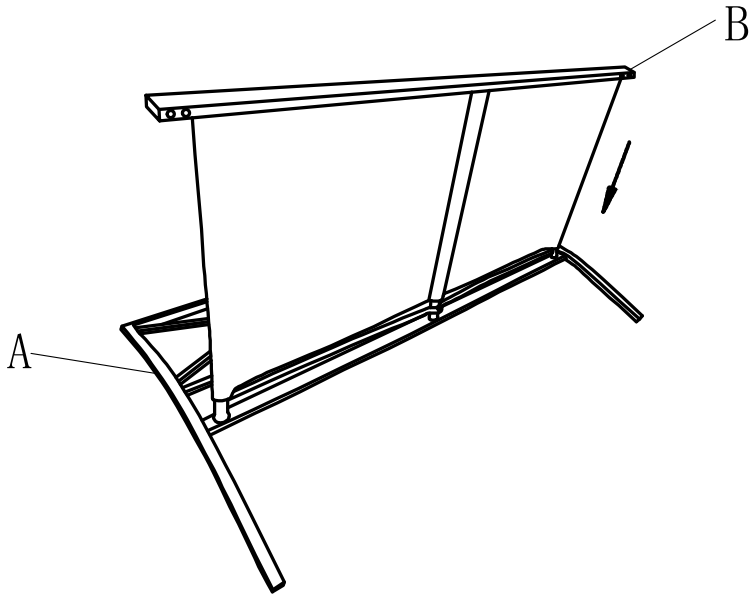
Assembly Instructions

Please read this before you proceed

A		sofa back	1PC
B		sofa seat	1PC
C		right leg	1PC
D		left leg	1PC
E		screw	4PCS
F		screw	2PCS
G		screw	3PCS
H		washer	9PCS
I		back cushion	2PCS
J		seat cushion	2PCS
K		allen wrench	1PC

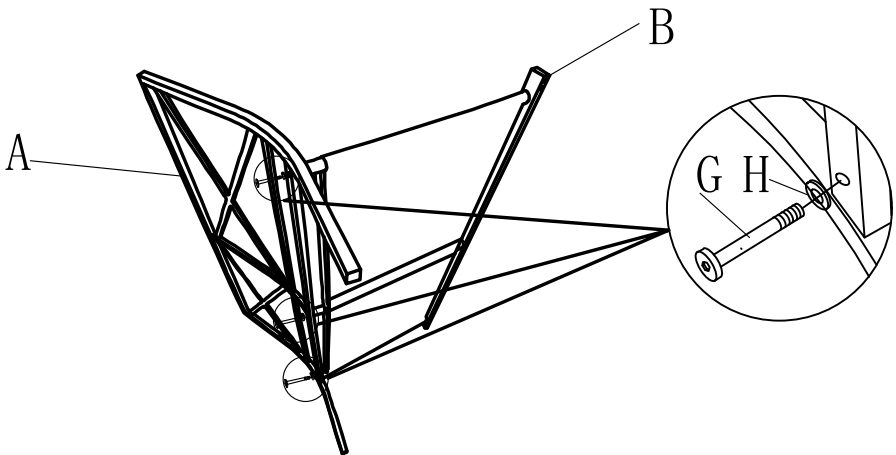
Assembly Instructions

1



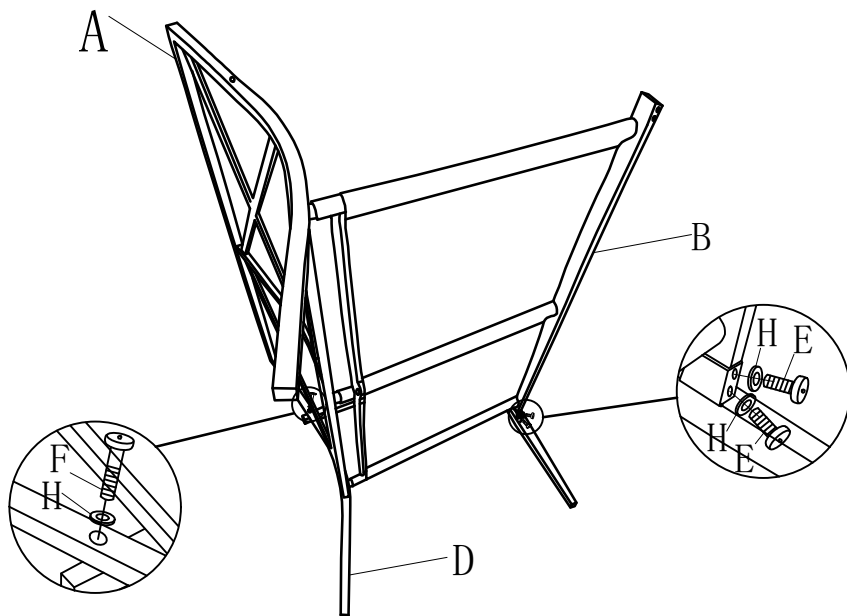
2

Don't fasten tight, keep all bolts loose.



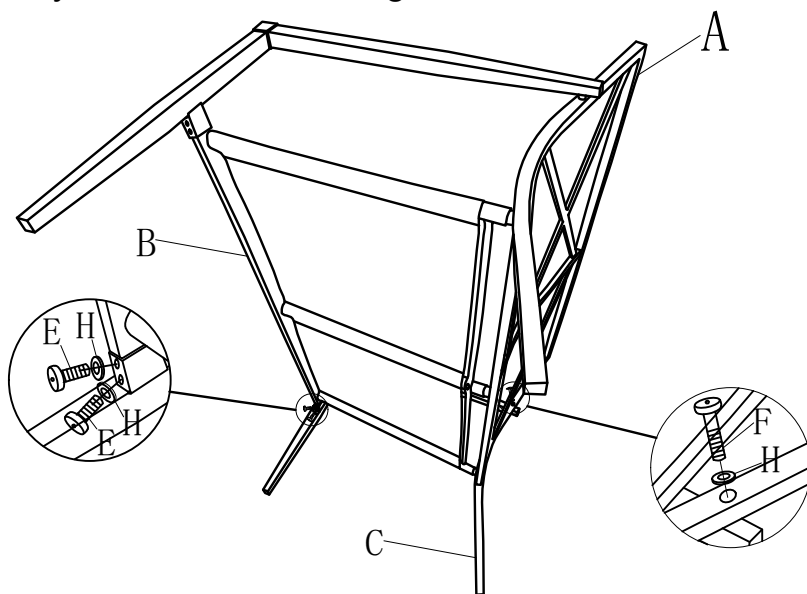
Assembly Instructions

3



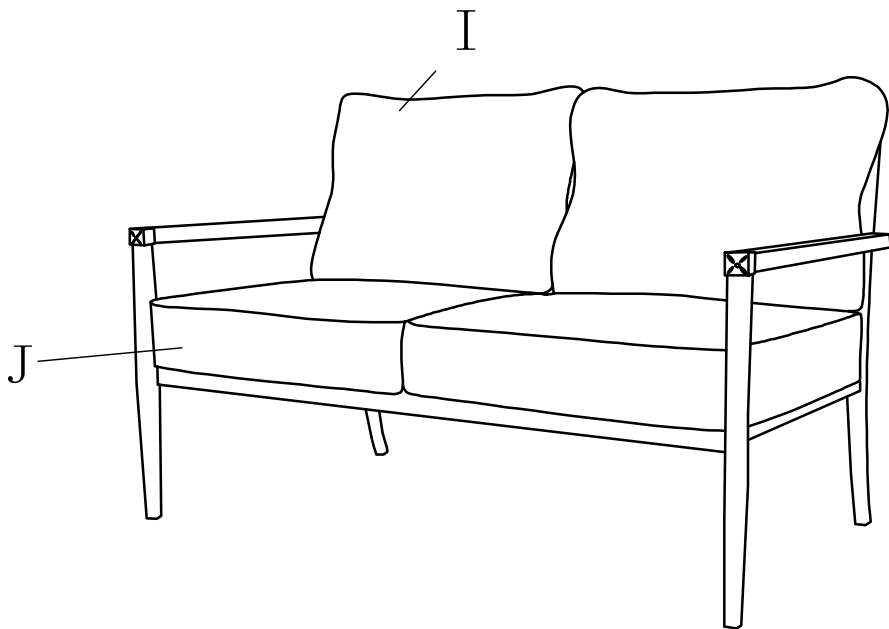
4

Finally, fasten all bolts tight.



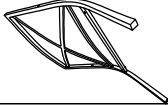
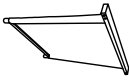

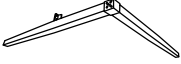
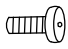

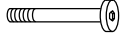




Assembly Instructions

5



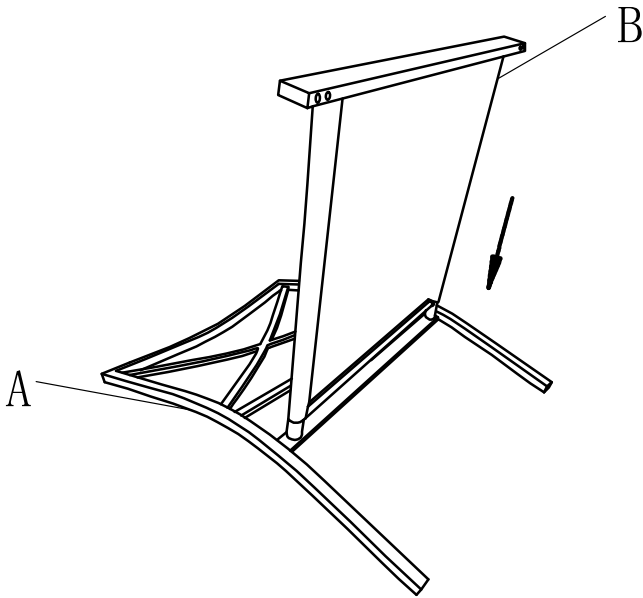
Assembly Instructions

Please read this before you proceed

A		sofa back	1PC
B		sofa seat	1PC
C		right leg	1PC
D		left leg	1PC
E		screw	4PCS
F		screw	2PCS
G		screw	2PCS
H		washer	8PCS
I		back cushion	1PC
J		seat cushion	1PC
K		allen wrench	1PC

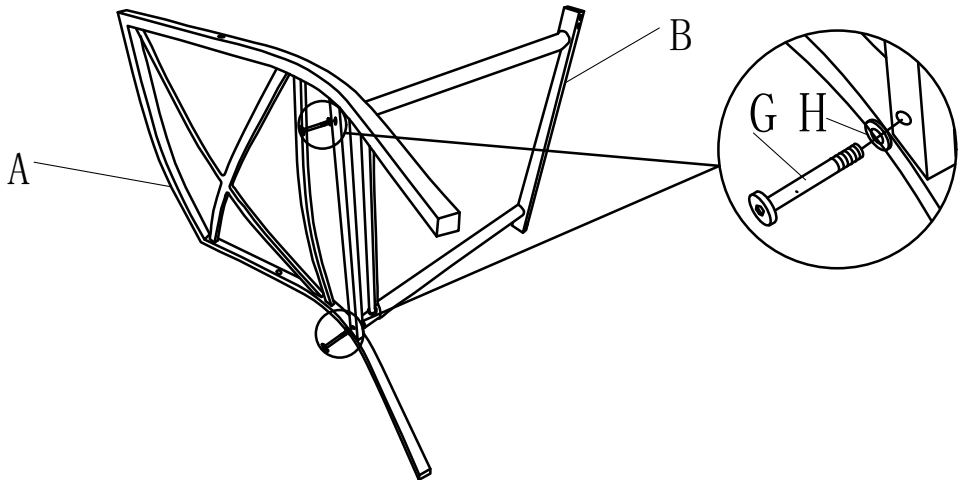
Assembly Instructions

1



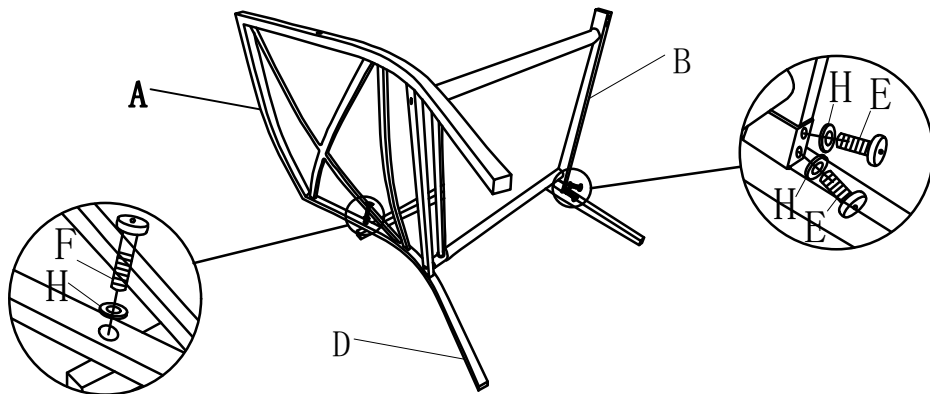
2

Don't fasten tight, keep all bolts loose.

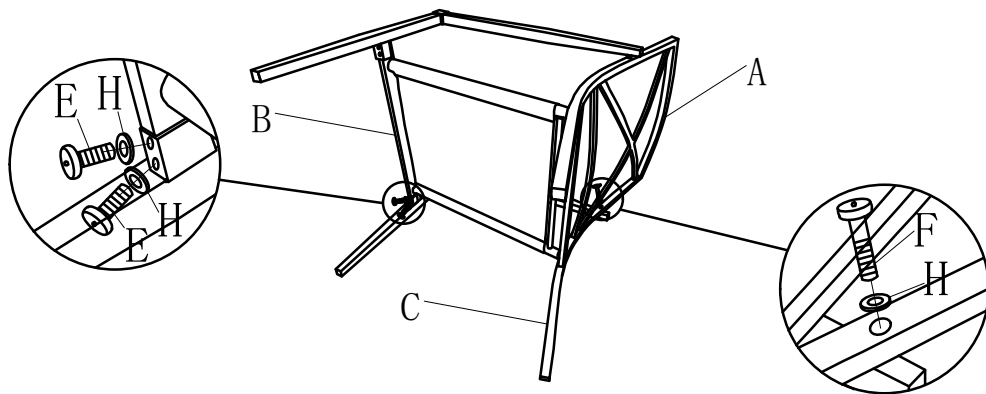


Assembly Instructions

3

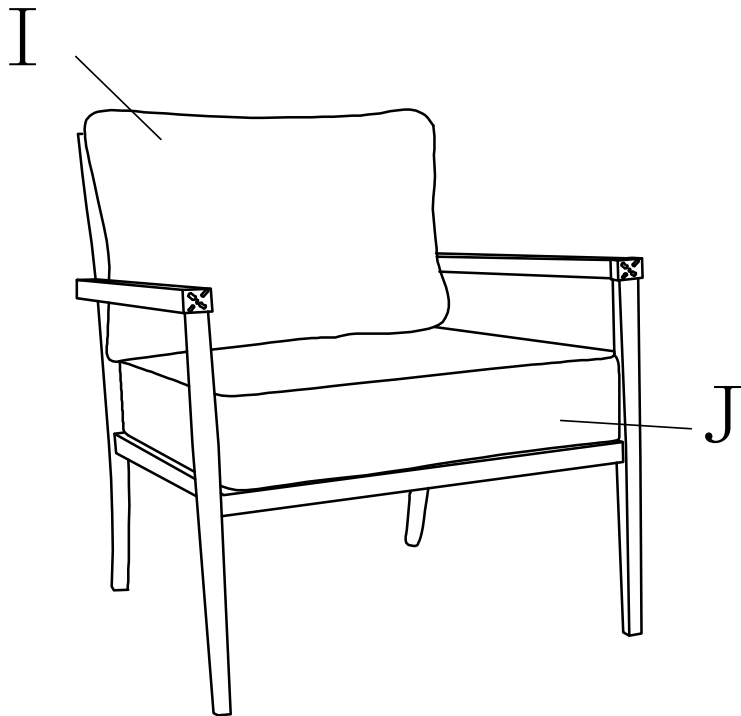


4 Finally, fasten all bolts tight.



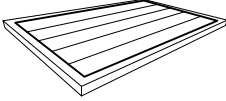
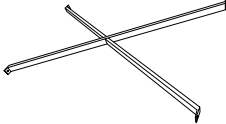





Assembly Instructions

5



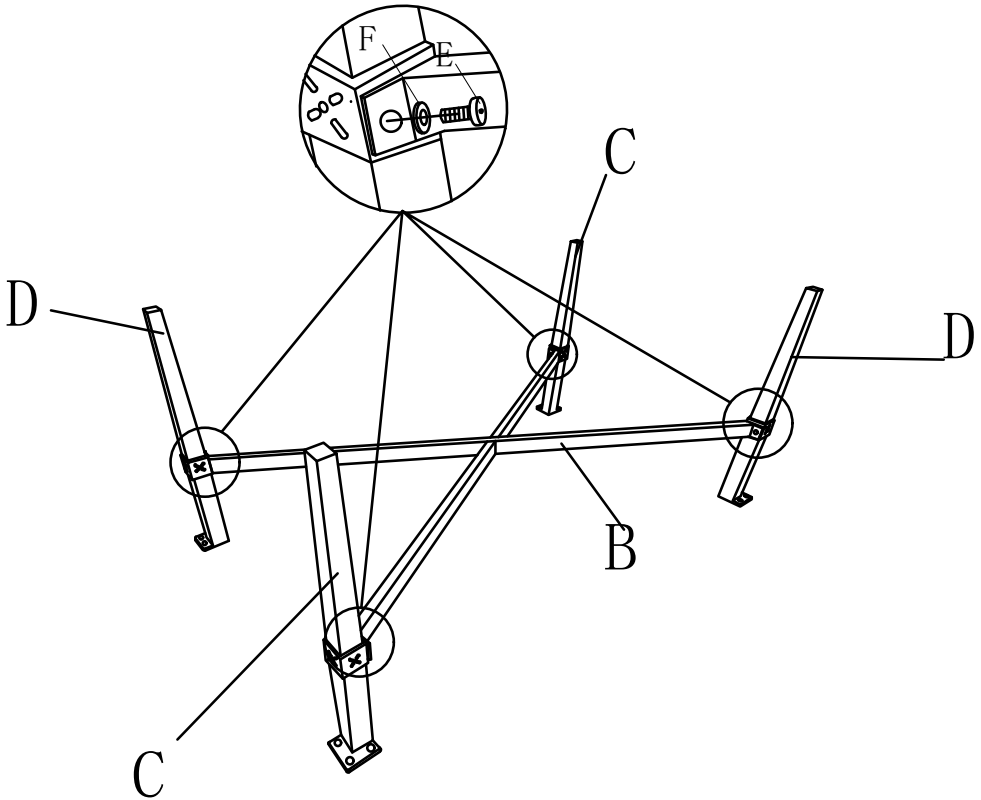
Assembly Instructions

Please read this before you proceed

A	 A rectangular table top with a ribbed surface and a beveled edge.	table top	1PC
B	 Two long, thin support tubes crossed at their centers.	support tube	1PC
C	 A long, tapered leg with a small notch at the bottom.	leg1	2PCS
D	 A long, tapered leg with a small notch at the bottom, identical to leg 1.	leg2	2PCS
E	 A screw with a hexagonal head and a threaded shaft.	screw	16PCS
F	 A flat, circular washer with a central hole.	washer	16PCS
G	 An L-shaped allen wrench.	allen wrench	1PC

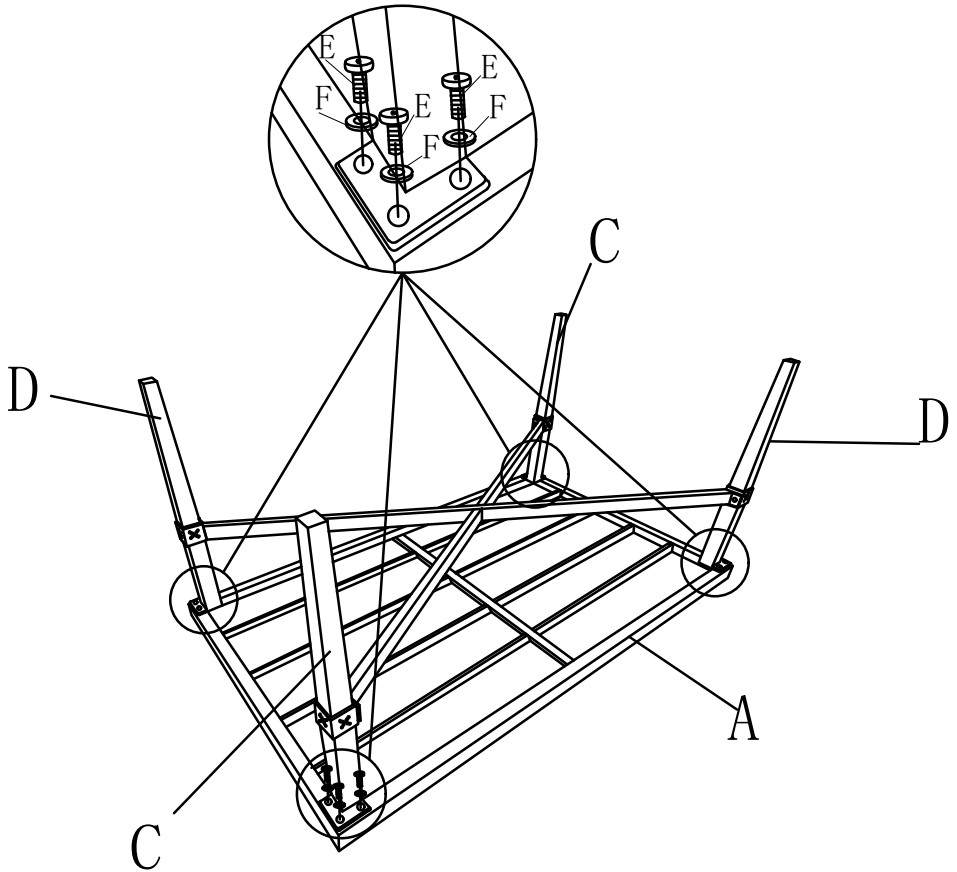
Assembly Instructions

- 1 Don't fasten tight, keep all bolts loose.



Assembly Instructions

- ② Finally, fasten all bolts tight.



Assembly Instructions

3

