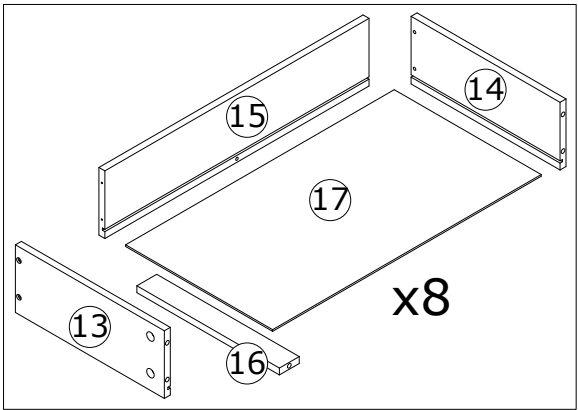
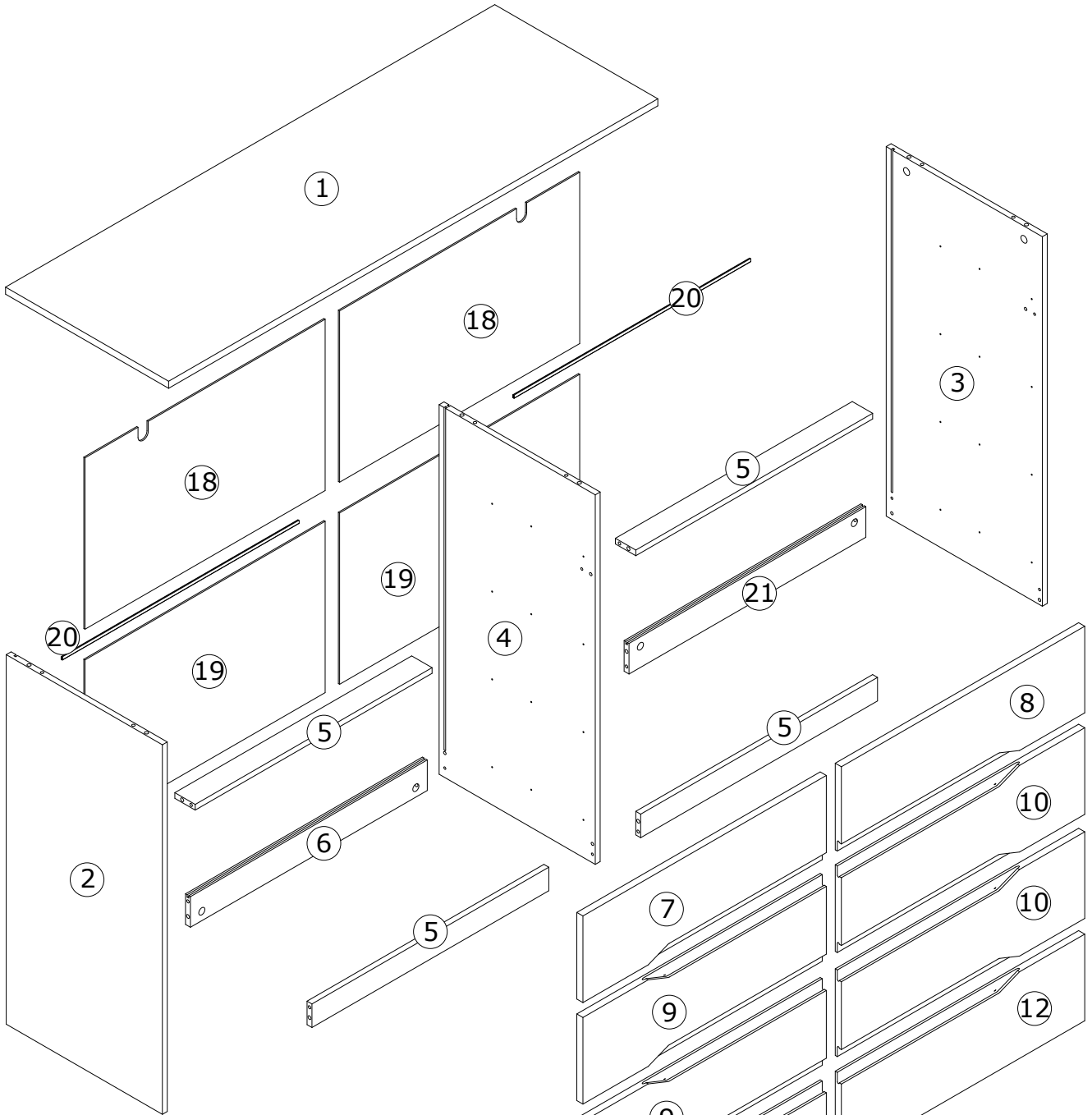
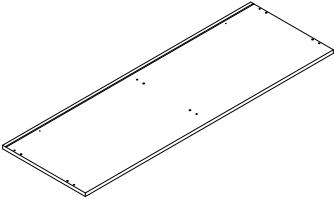
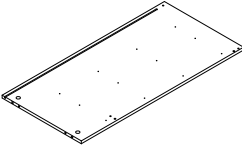
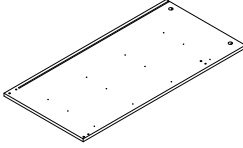
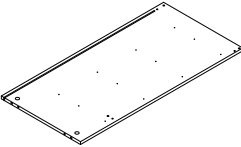
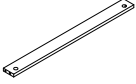

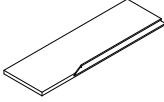
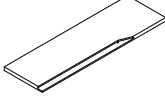
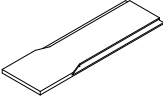
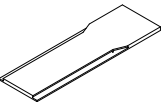
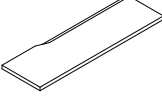
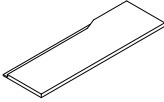
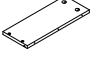
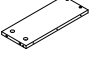
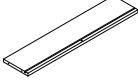

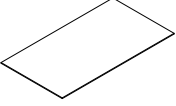
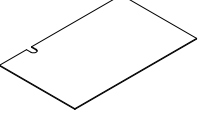
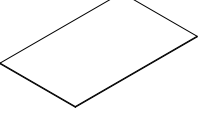




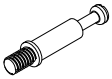






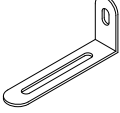


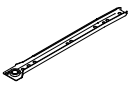
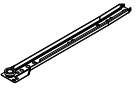
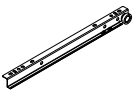
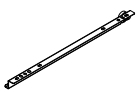
Installation instruction



Parts and Operation Elements

			
① 1pc	② 1pc	③ 1pc	④ 1pc
			
⑤ 4pcs	⑥ 1pc	⑦ 1pc	⑧ 1pc
			
⑨ 2pcs	⑩ 2pcs	⑪ 1pc	⑫ 1pc
			
⑬ 8pcs	⑭ 8pc	⑮ 8pcs	⑯ 8pcs
			
⑰ 8pcs	⑱ 2pcs	⑲ 2pcs	⑳ 2pcs
			
㉑ 1pc			

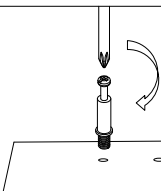
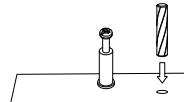
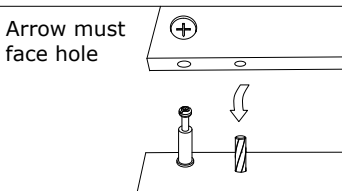
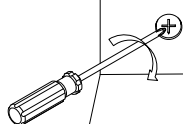
Hardware

							
Cam bolt		Cam lock		Wood dowel Ø6 x 30mm		Ø4 x 35mm screw	
A	58+4pcs	B	58+4pcs	C	18+3pcs	D	42+4pcs
							
Ø3 x 12mm screw		Back bracket		Ø3 x 14mm screw		L wall fixing	
E	96+4pcs	F	16+2pcs	G	16+2pcs	H	2pcs
							
Ø4 x 12mm screw		30mm wall plug		300mm		300mm	
J	2pcs	K	2pcs	CL	8pcs	CR	8pcs
							
300mm		300mm					
DL	8pcs	DR	8pcs				

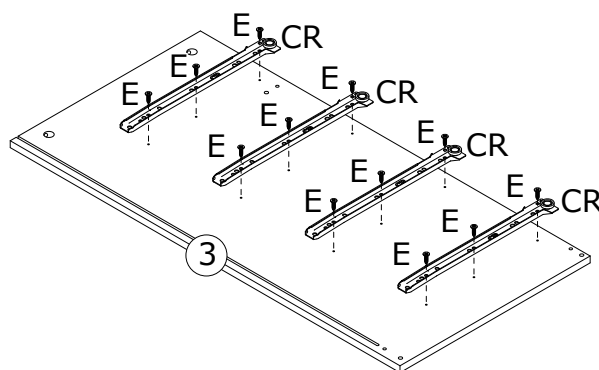
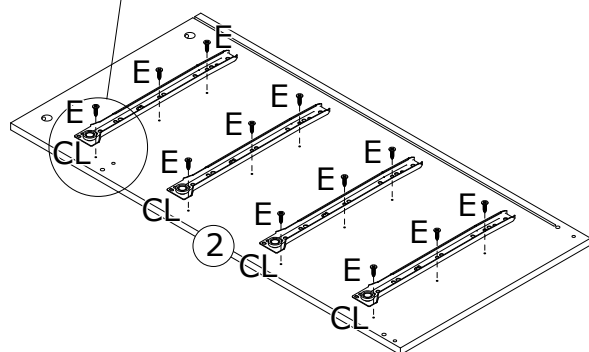
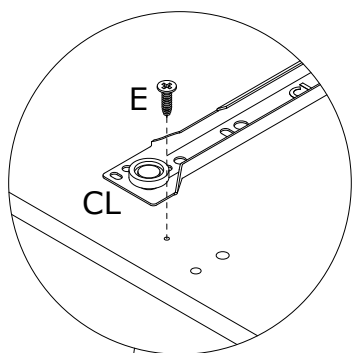
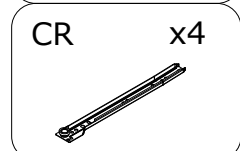
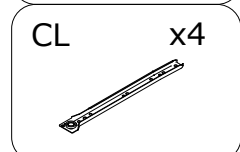
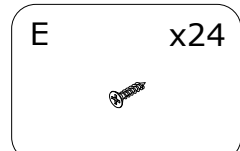
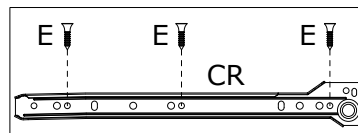
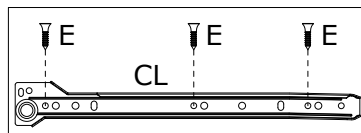


SPARE BAG

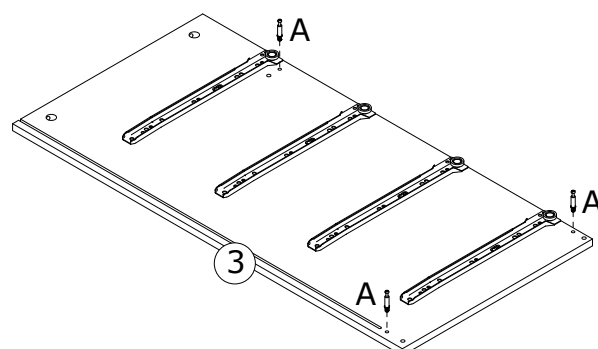
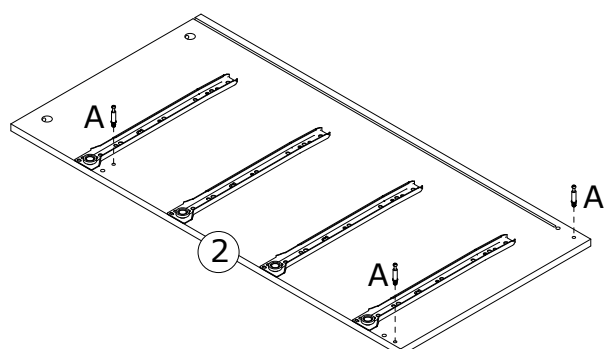
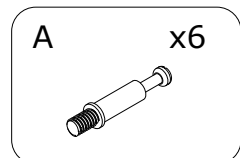
THE SPARE BAG INCLUDED EXTRA HARDWARE FOR DAMAGED OR MISSING SMALL HARDWARE WHILE YOU ARE ASSEMBLING

			
Gently screw cam bolt into the threaded anchor.	Insert the wood dowel halfway into hole.	Arrow must face hole	Screw the camlock firmly into locked position.

1



2

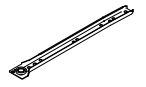


3

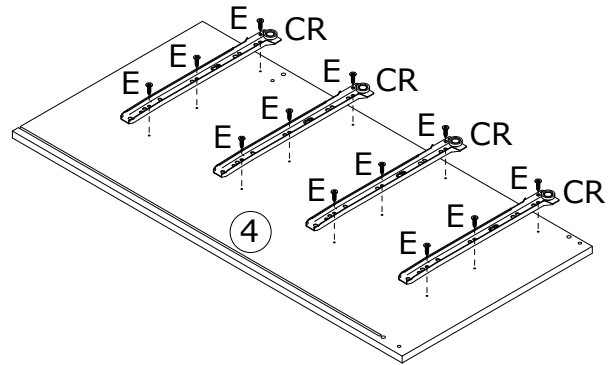
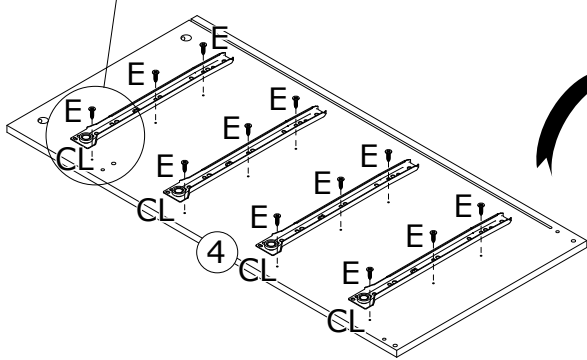
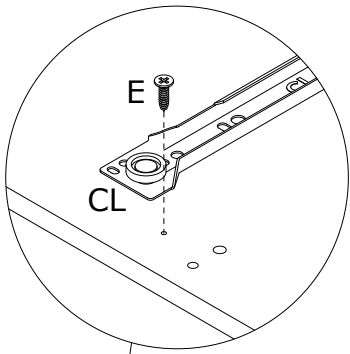
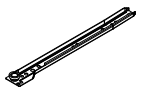
E x24



CL x4

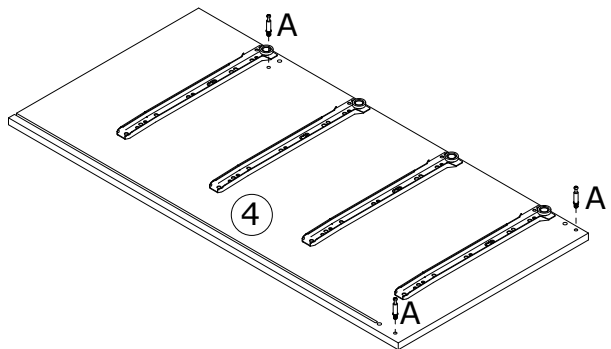
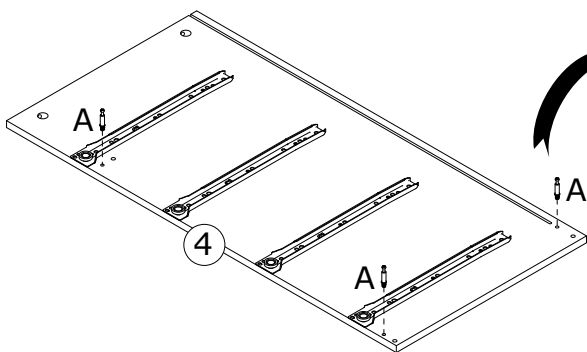
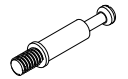


CR x4

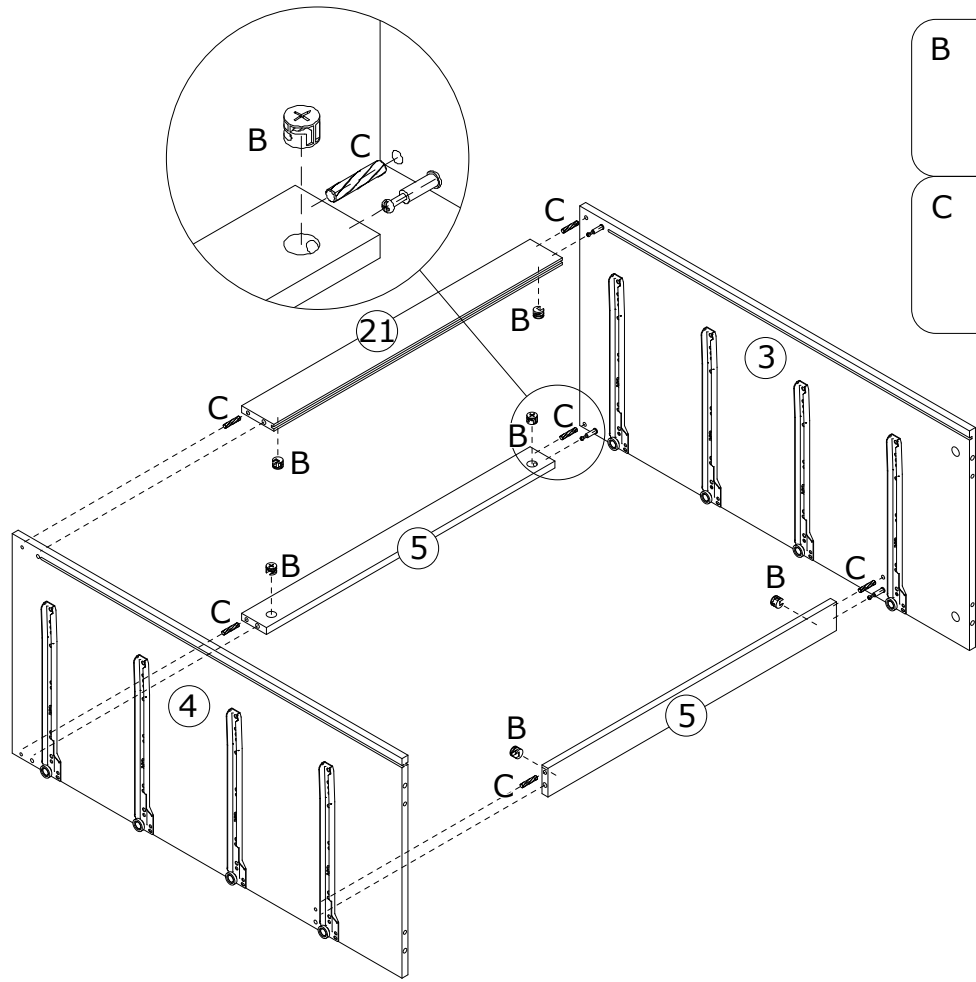


4

A x6



5



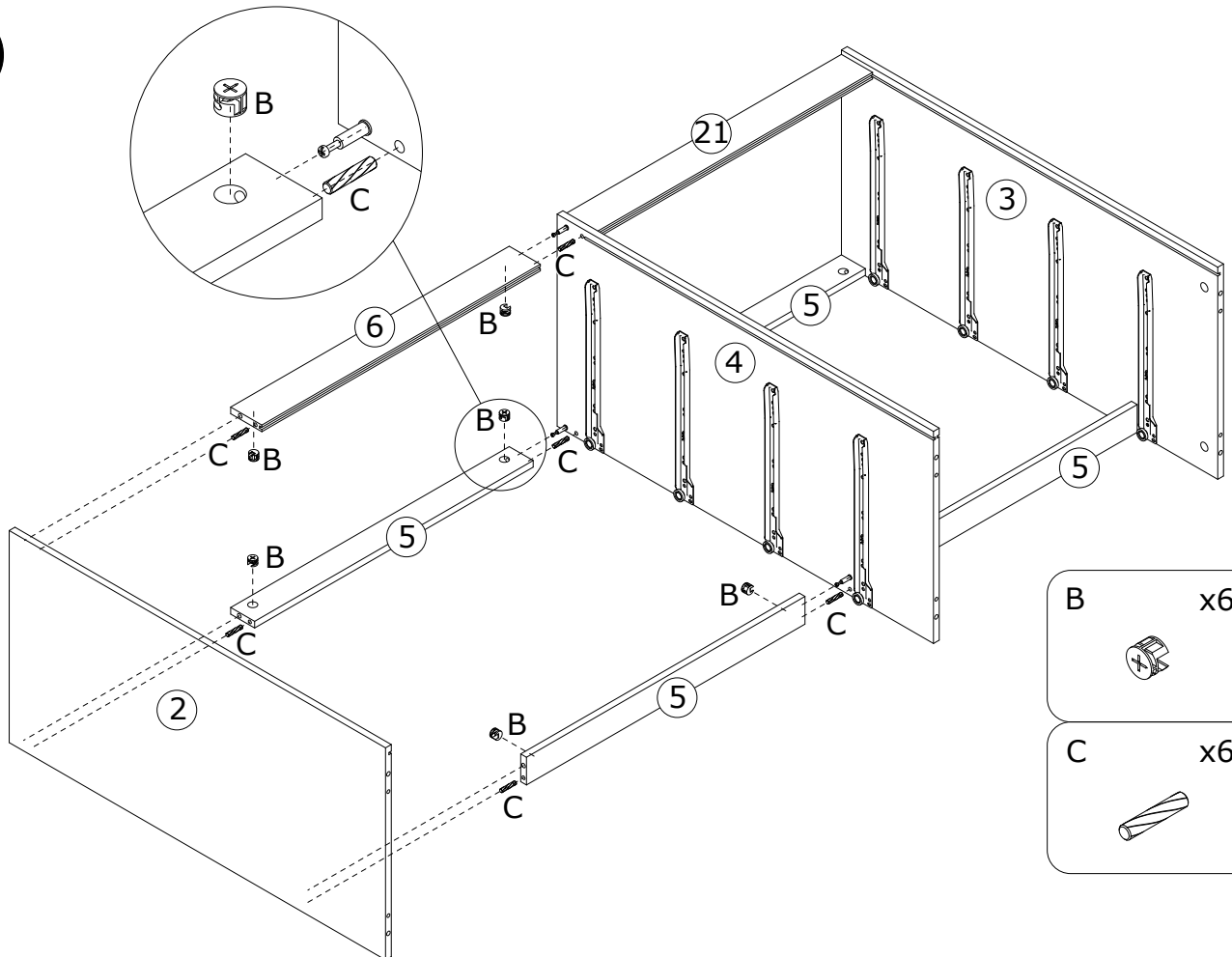
B x6



C x6



6



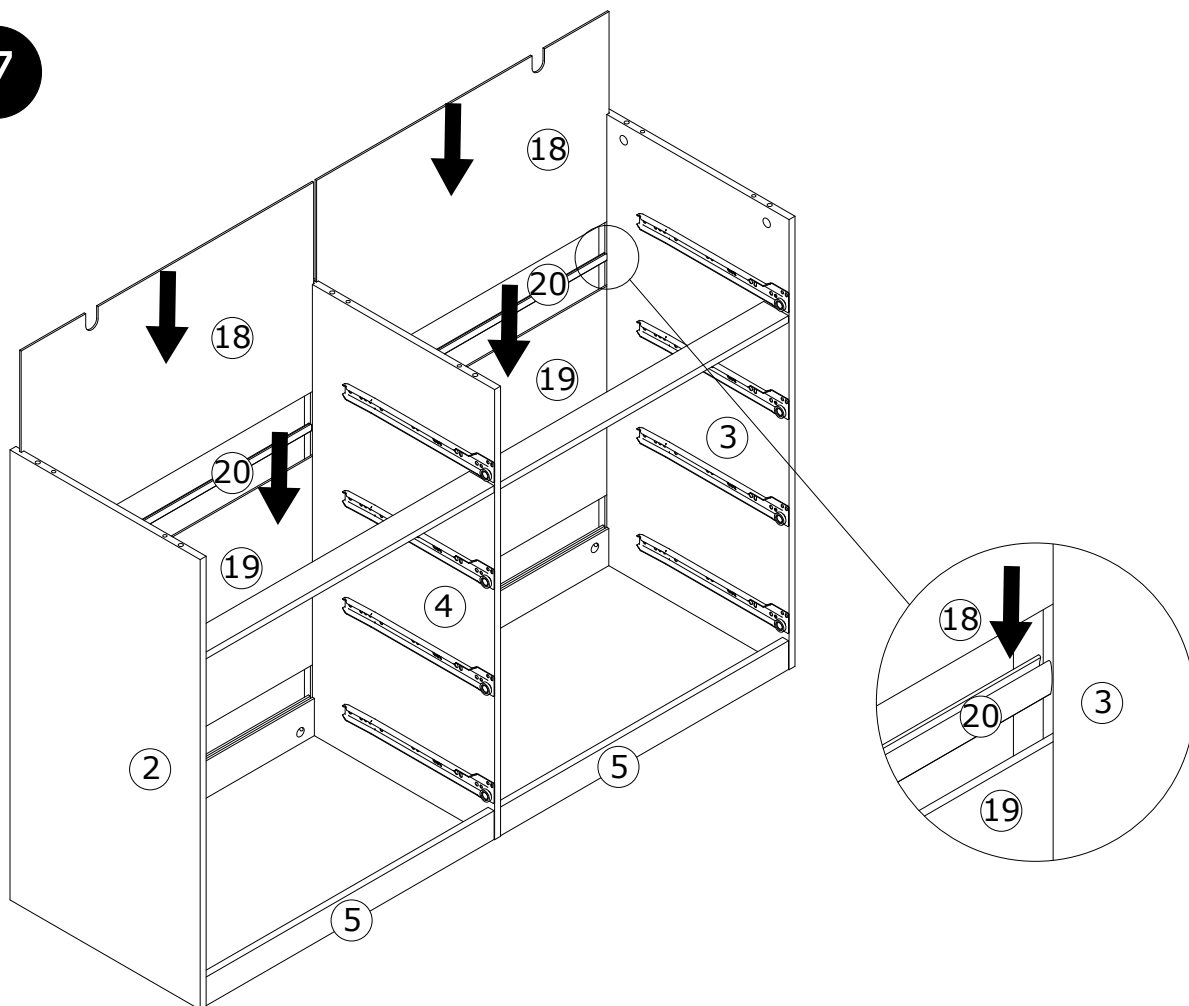
B x6



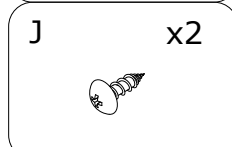
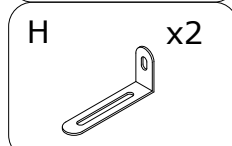
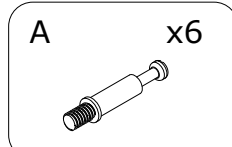
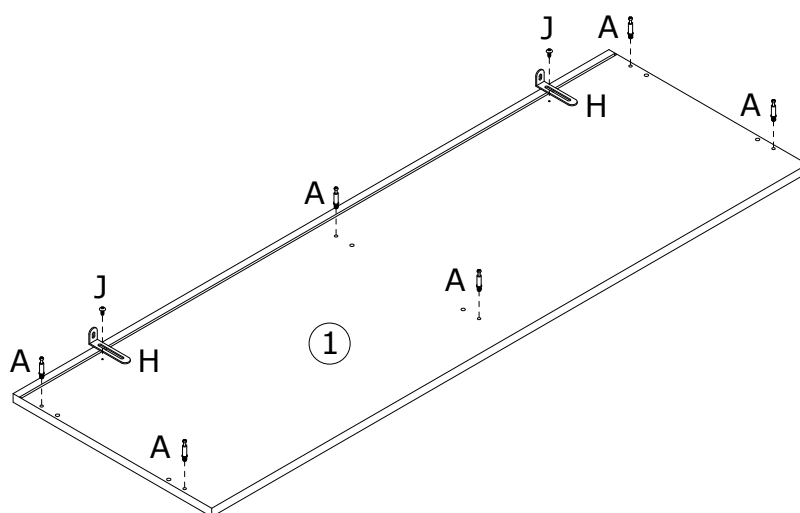
C x6



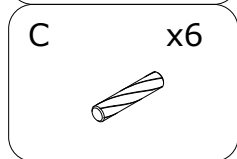
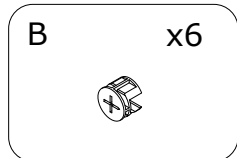
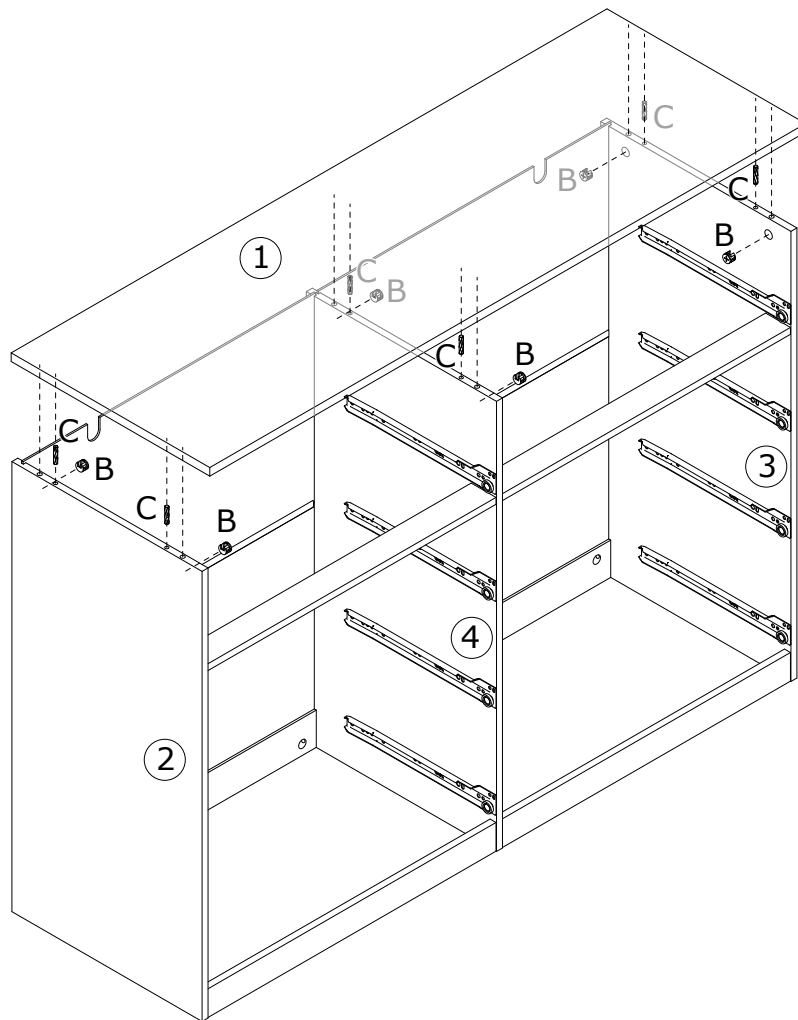
7



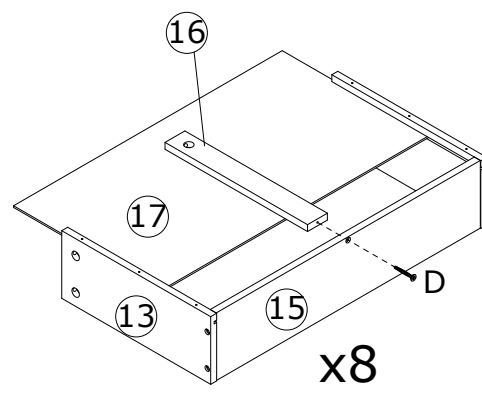
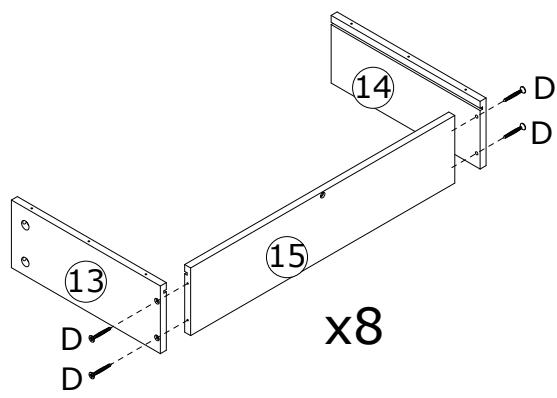
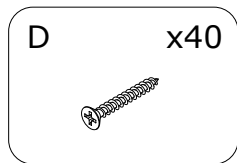
8

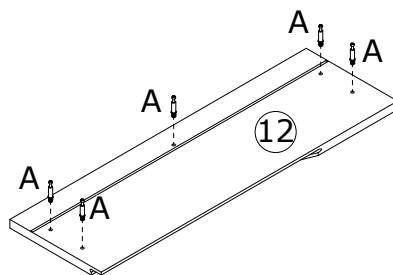
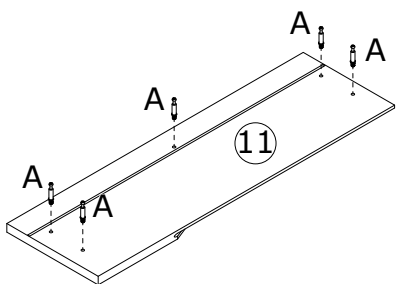
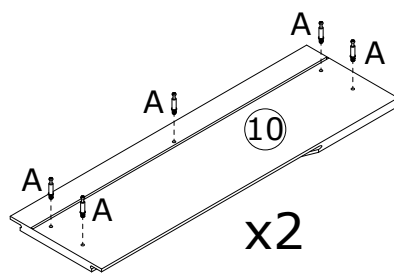
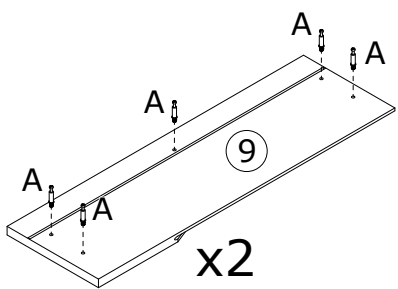
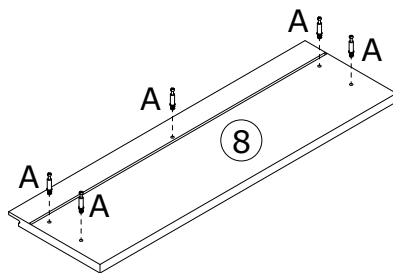
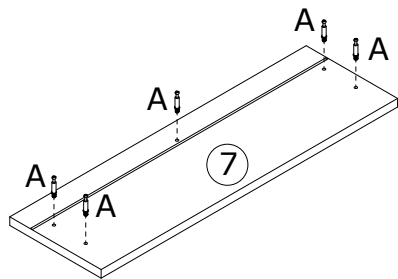
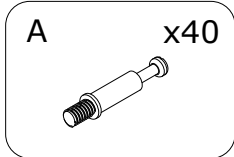


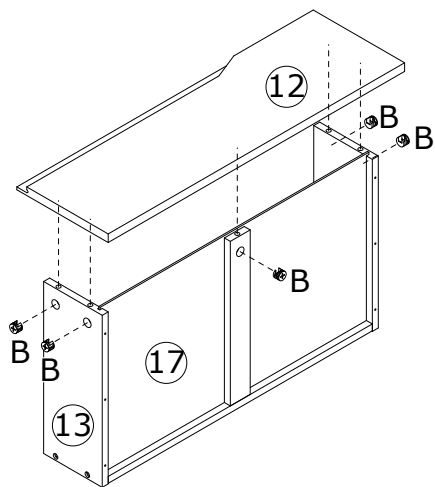
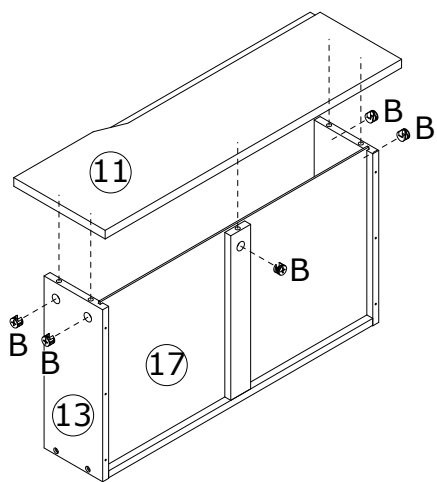
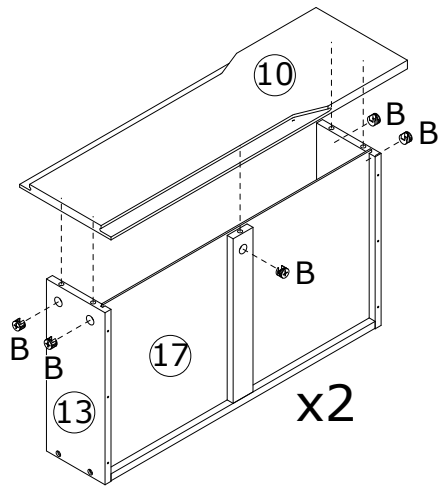
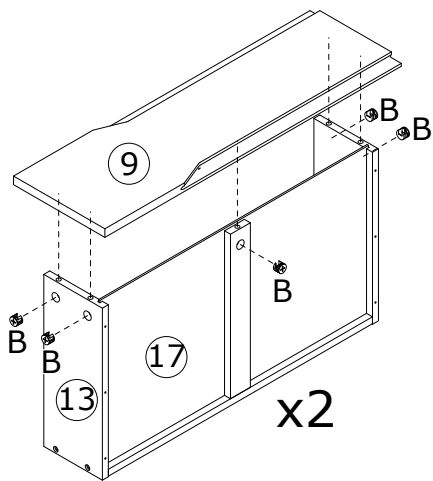
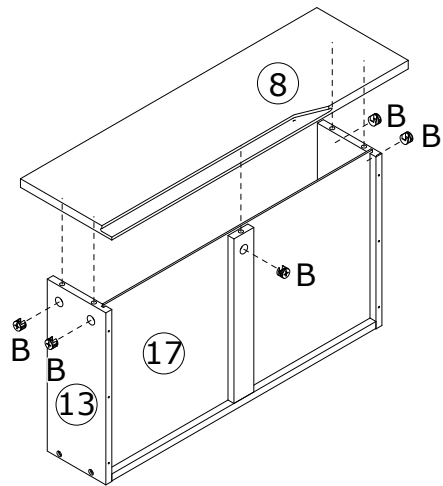
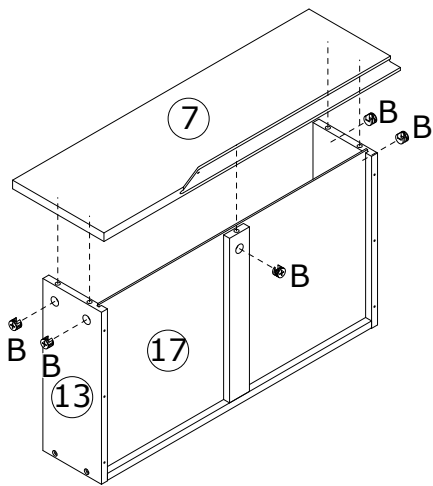
9



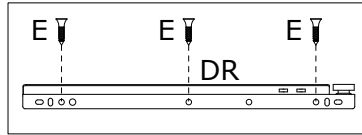
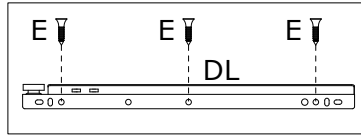
10








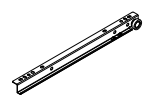
13



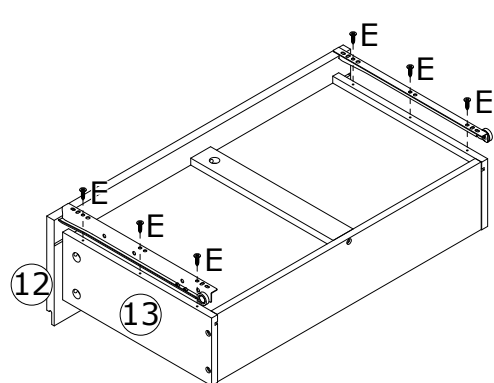
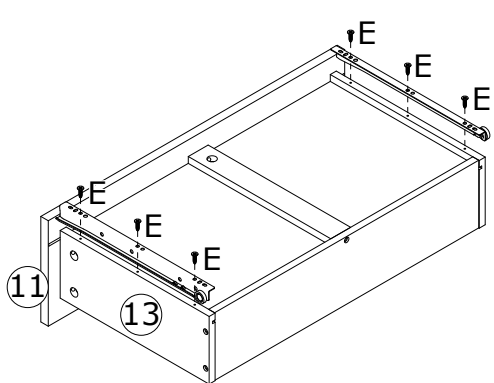
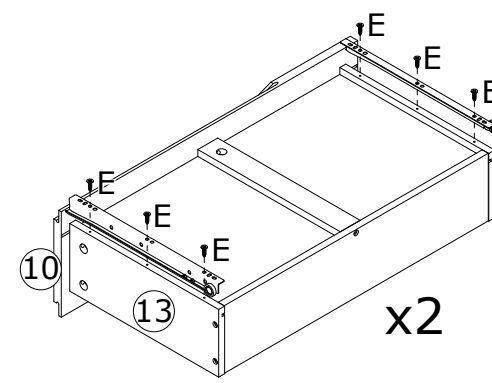
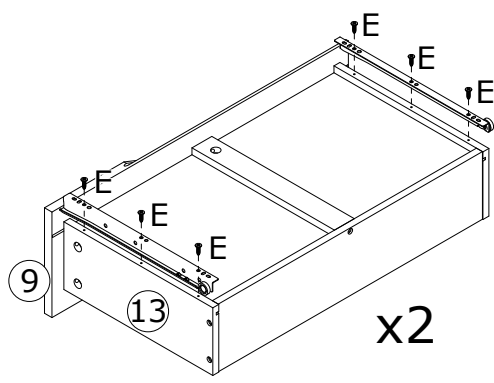
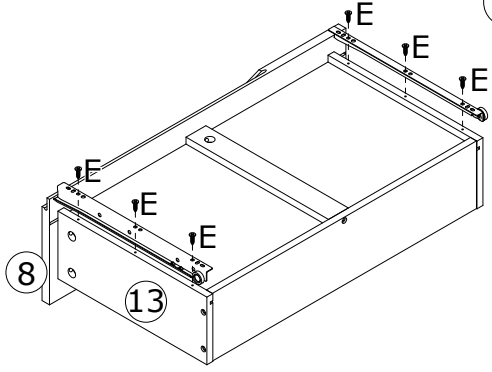
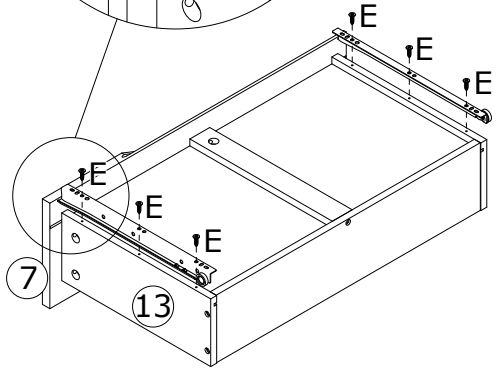
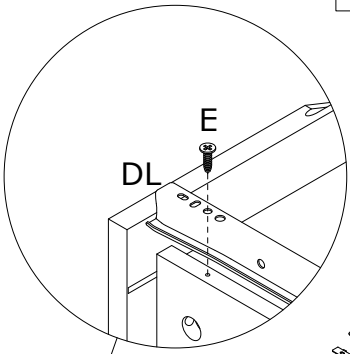
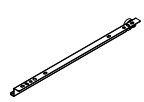
E x48



DL x8



DR x8

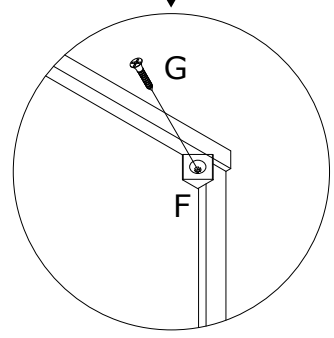
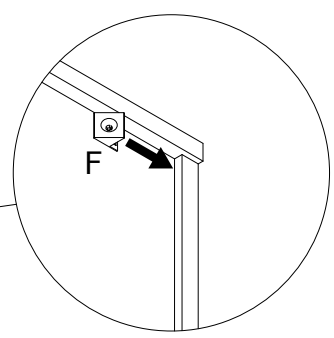
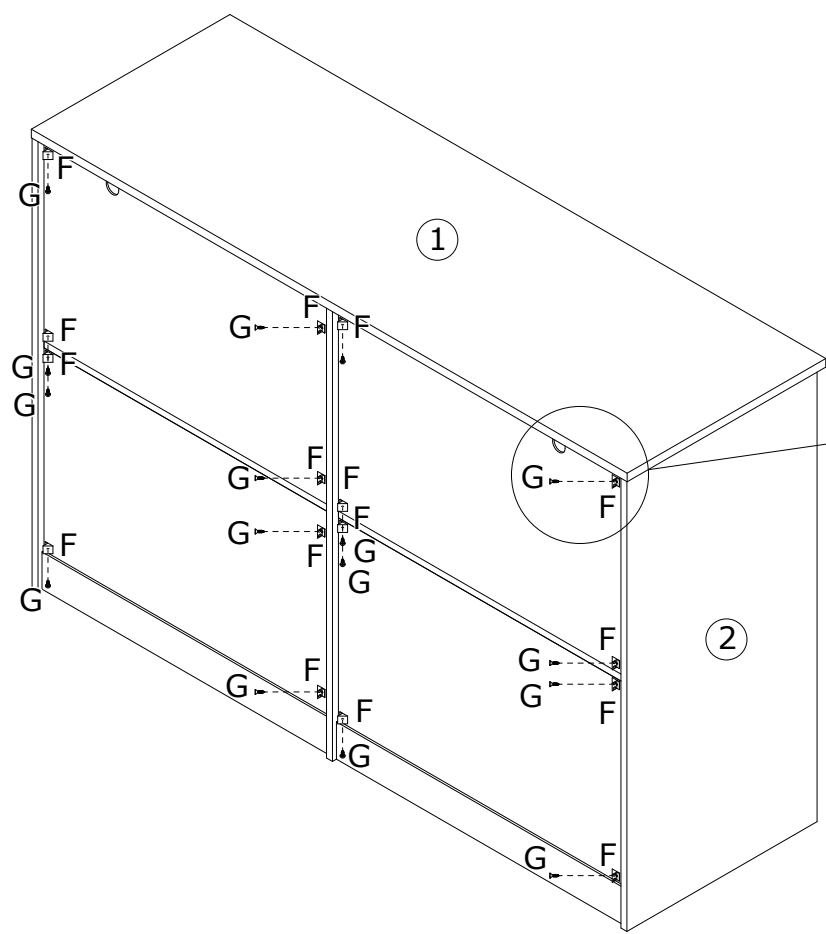


14

F x16



G x16



15

