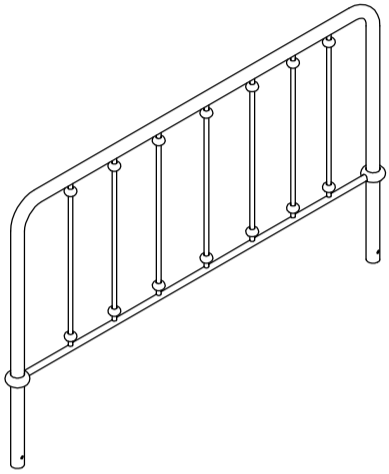


ASSEMBLY INSTRUCTION

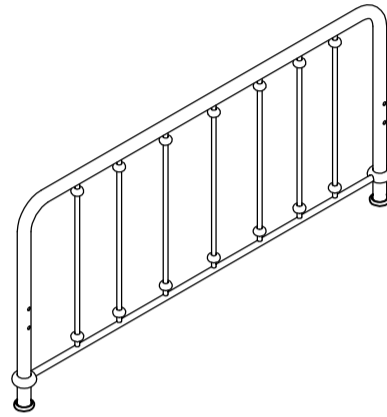
PART LIST:



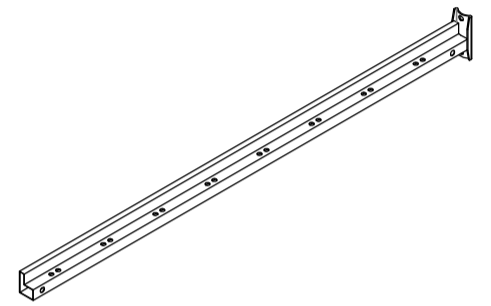
A: Headboard
x 1pc



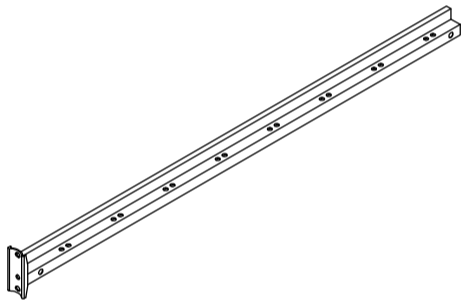
B: Headboard support legs
x 2pcs



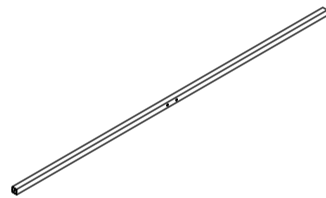
C: Footboard
x 1pc



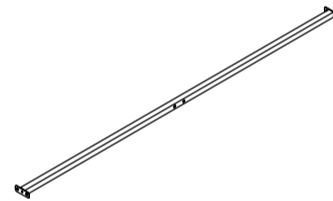
D: Rail Section (1)
x 2pcs



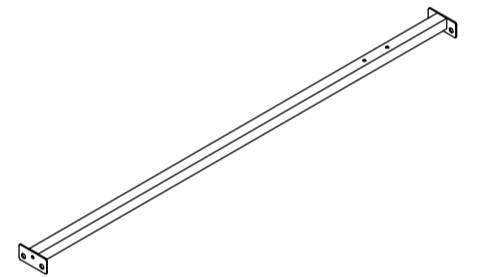
E: Rail Section (2)
x 2pcs



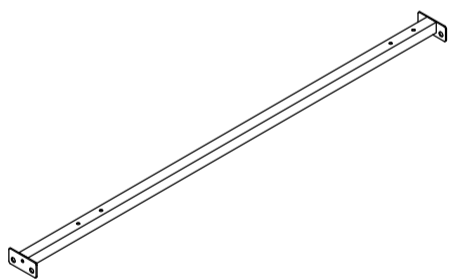
F: Front/Rear Support Bar
x 2pcs



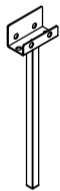
G: Center Support Bar
x 1pc



H: Front Center Rail
x 1pc



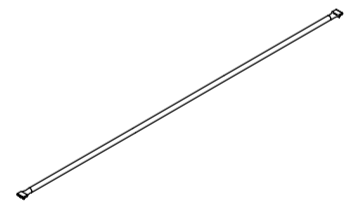
I: Rear Center Rail
x 1pc



J: Rail Support Legs
x 2pcs



L: Center support Legs
x 3pcs

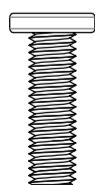


M: Slat with Connectors
x 16pcs

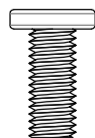
HARDWARE LIST:



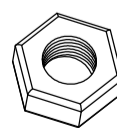
1: Bolt 1/4*46mm
x 8pcs



2: Bolt 1/4*36mm
x 2pcs



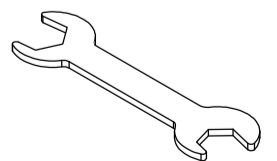
3: Bolt 1/4*16mm
x 24pcs



4: Nut
x 6pcs



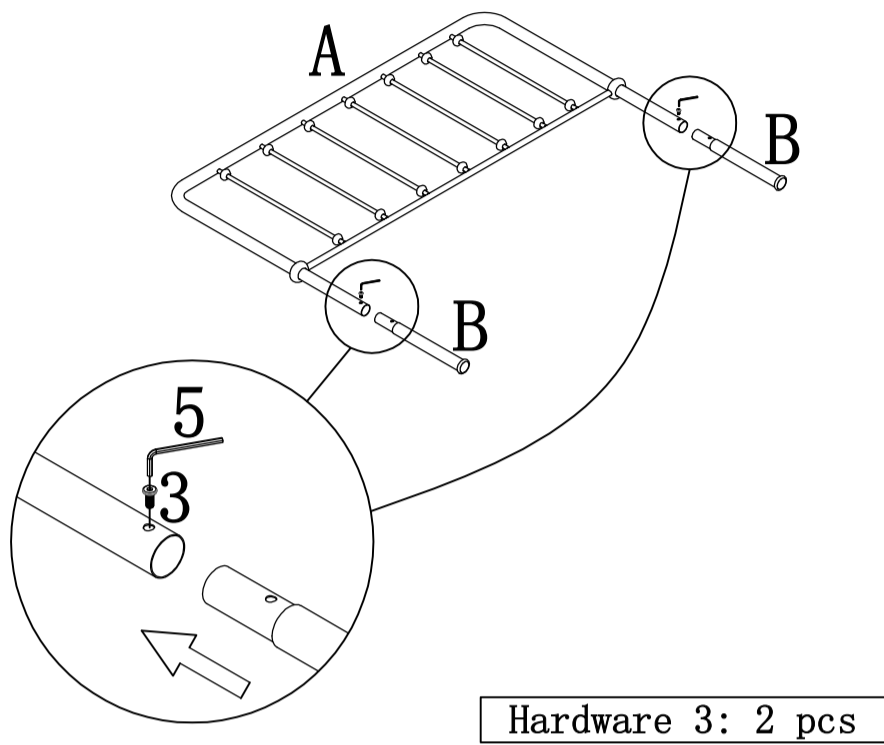
5: Allen Key
x 1pc



6: Wrench
x 1pc

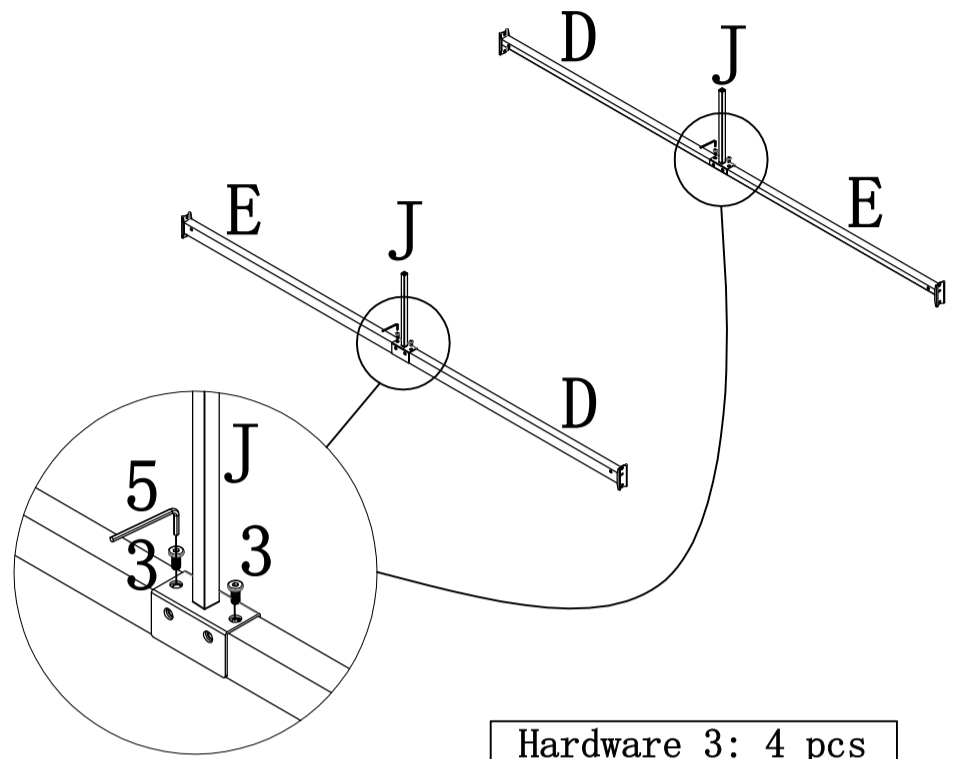
Note: Please do not tighten all bolts until the bed is assembled completely.

STEP 1



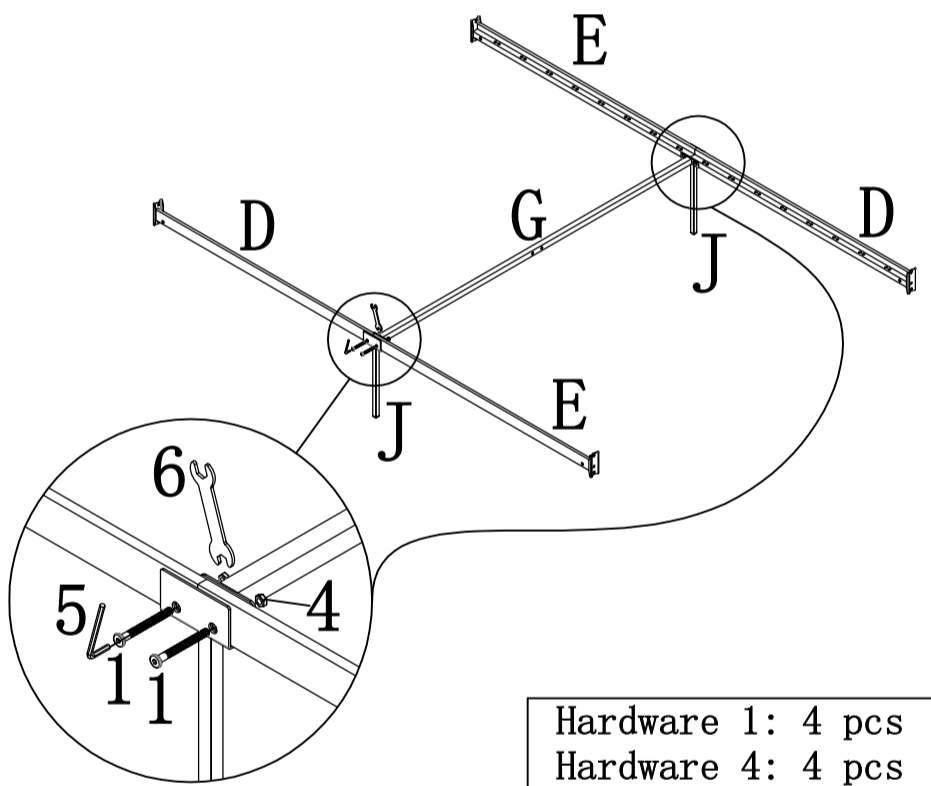
Hardware 3: 2 pcs

STEP 2



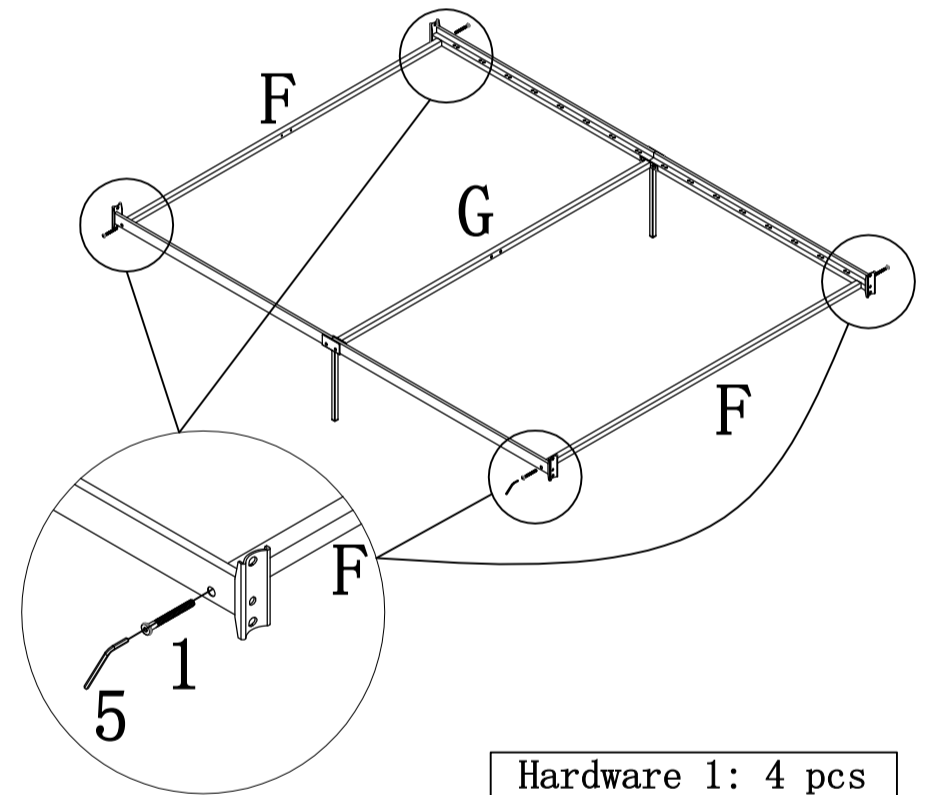
Hardware 3: 4 pcs

STEP 3



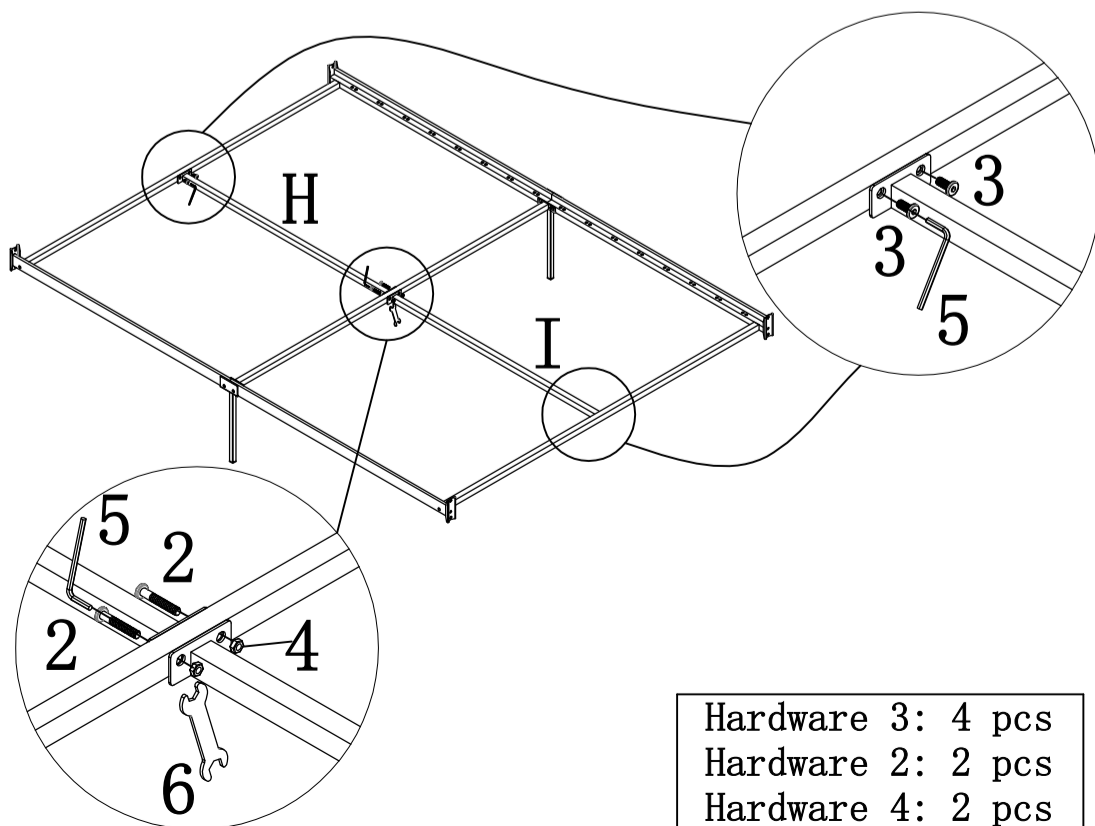
Hardware 1: 4 pcs
Hardware 4: 4 pcs

STEP 4



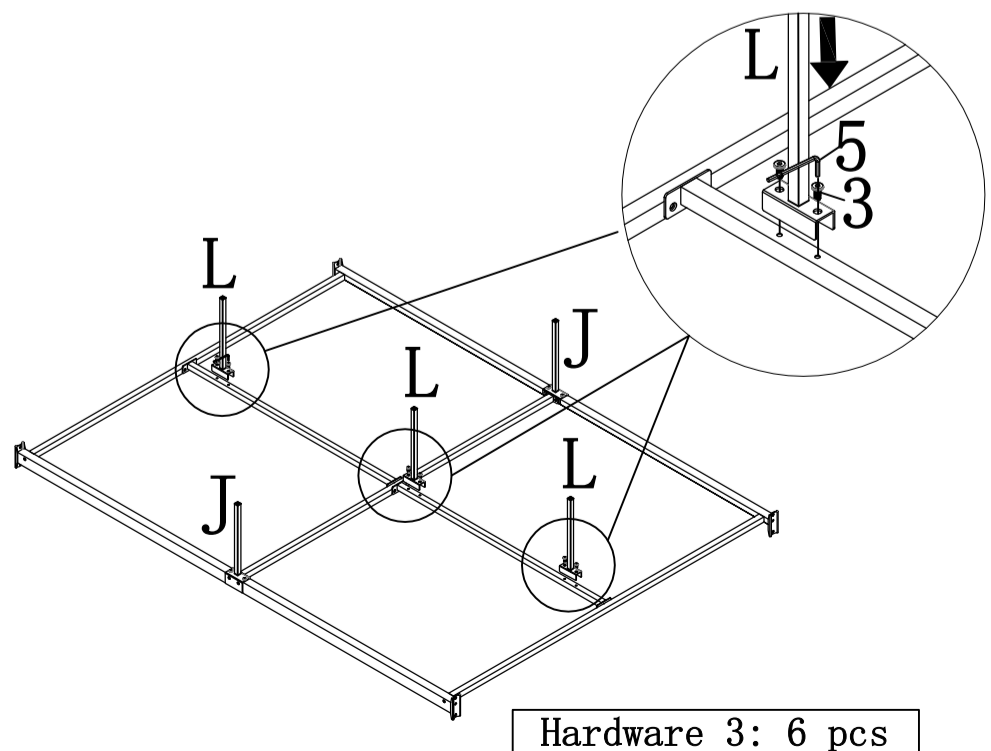
Hardware 1: 4 pcs

STEP 5



Hardware 3: 4 pcs
Hardware 2: 2 pcs
Hardware 4: 2 pcs

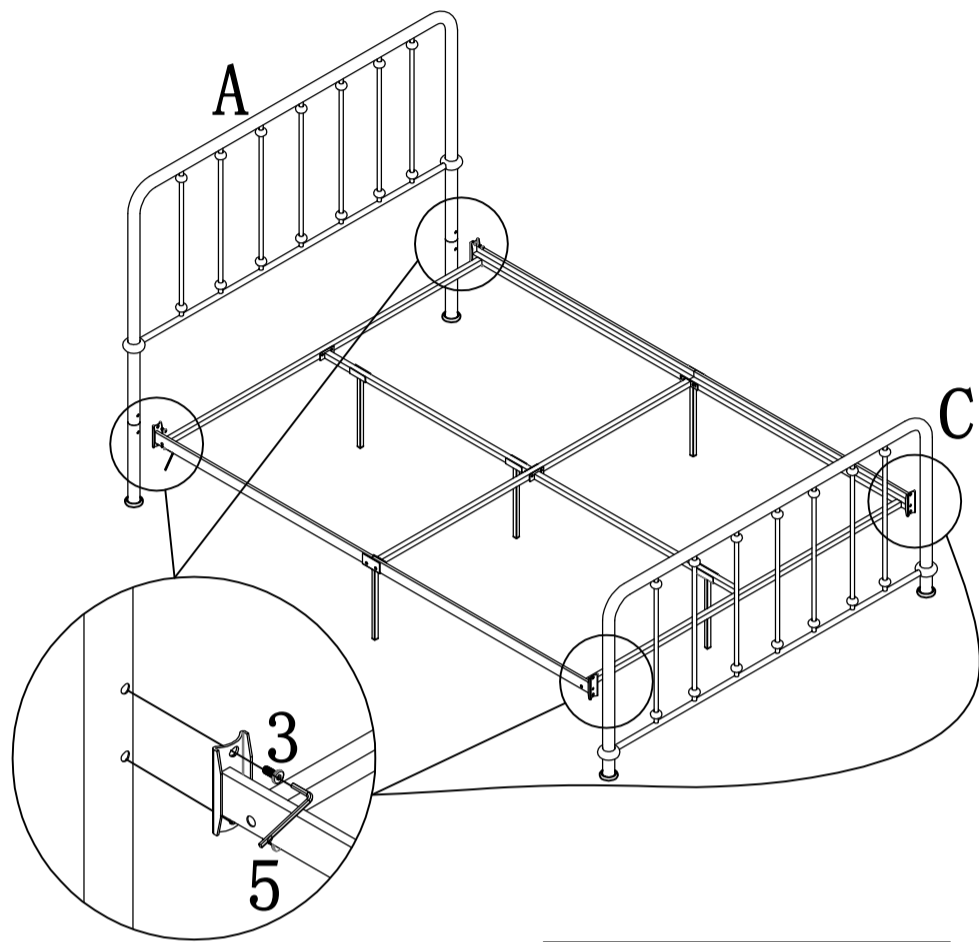
STEP 6



Hardware 3: 6 pcs

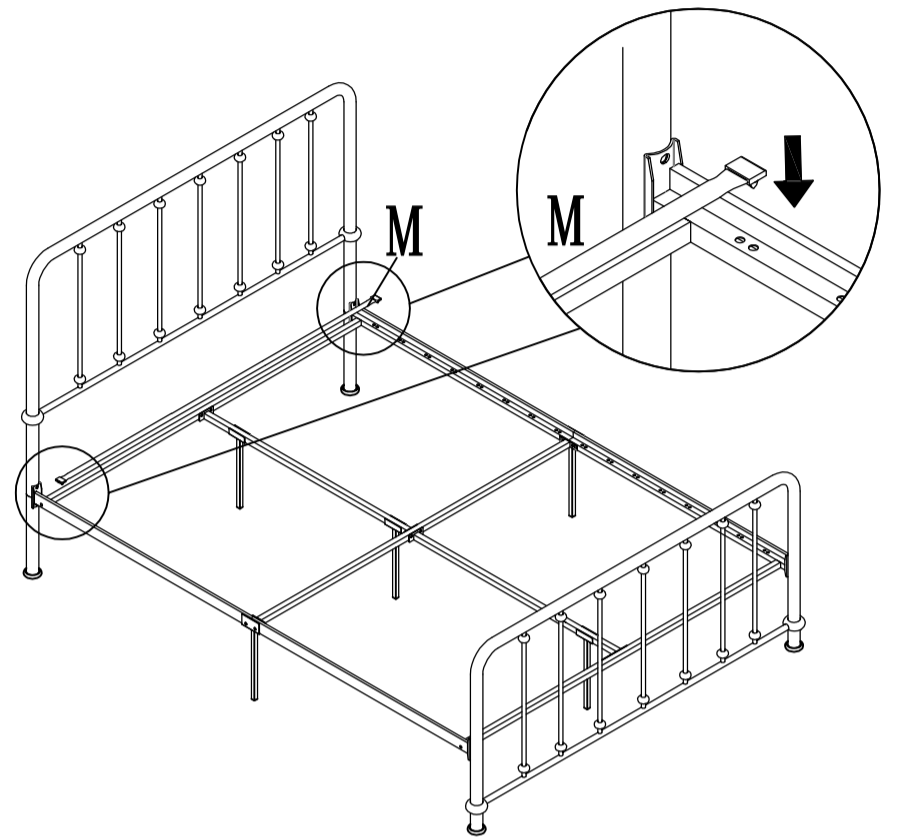
Note: Please do not tighten all bolts until the bed is assembled completely.

STEP 7

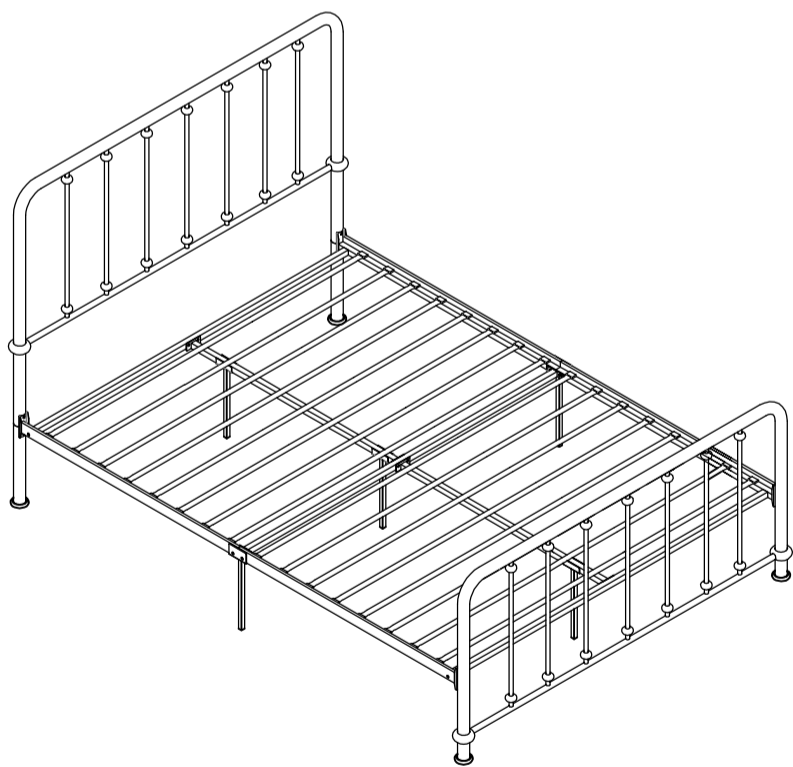


Hardware 3: 8 pcs

STEP 8



COMPLETED



For items use on wooden floor, hard surfaces or carpets, it is recommended to install protective pads under all legs and supports to avoid/prevent from damages/scratches and discoloration.