


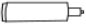



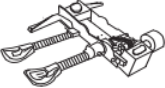









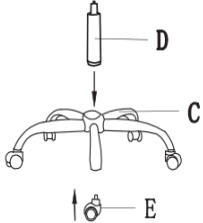


ASSEMBLY INSTRUCTION

A backrest x 1 	B seat base x 1 	C star base x 1 	
D gaslift x 1 	E caster x 5 	F armrest (left, right) x1 	
G T bar x 1 	M mechanism x 1 	O footrest x 1 	
H screw x 4 M8 x 30mm 	I screw x 3 M6 x 35mm 	J cover x 4 K spring washer x 4 	L Allen key x 1 
N screw x 4 M6 x 20mm 	P screw x 4 M6 x 25mm 	Q slider x 2 	R screw x 1 M5 x 8mm 

STEP 1

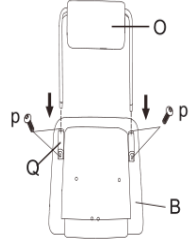


① Install the casters by turning the star base upside down. Be careful not to pinch your fingers.

② Insert the gaslift into the base.

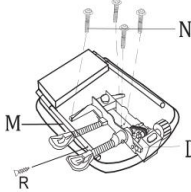
Insert it firmly so that the gaslift does not come off.

STEP 2



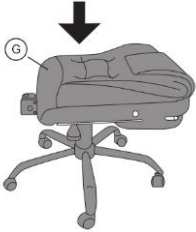
Attach the footrest to the seat base as shown.

STEP 3



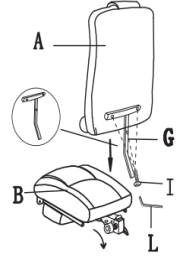
Place the seat base upside down on a stable surface such as a desk. Attach the mechanism as shown.

STEP 4



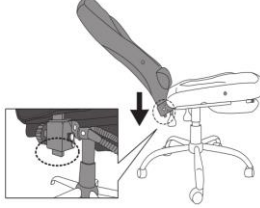
Connect the assembled seat cushion and the base.

STEP 5



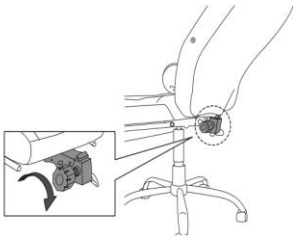
Attached the T bar to the backrest as shown.

STEP 6



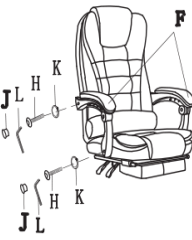
Insert the shaft of the backrest into the seat until it pops out.

STEP 7




Rotate the knob to secure the backrest

STEP 8



Attach the armrest. Be careful not to mix the left and right side of the armrest when installing. (the cavity faces inward)

STEP 9



Connect the assembled seat cushion and the base.

Finally, tighten the screws of each part firmly to complete.

Thank you for choosing our product. Be sure to check all packing materials carefully for small parts that may have come loose inside the carton during shipment.

In order to use the product safely for a long time, please read this manual carefully and understand the contents well before using it correctly. Also, keep this manual in a safe place so that you can read it whenever necessary.

When you receive the chair and install it, the T-bar needs to be inserted into the right position. Otherwise it will be deformed.

NOTE: DO NOT fully tighten any bolts until the chair is fully assembled. 80% is OK. Parts need flexibility to connect when assembling. If you fully tighten each bolt as you go, then you likely will not be able to put the chair together.

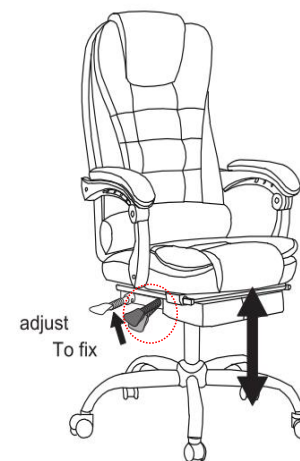
How to use (footrest opening)

- ① Pull out the footrest under the seat.
- ② Turn over the footrest. Turn it face up.



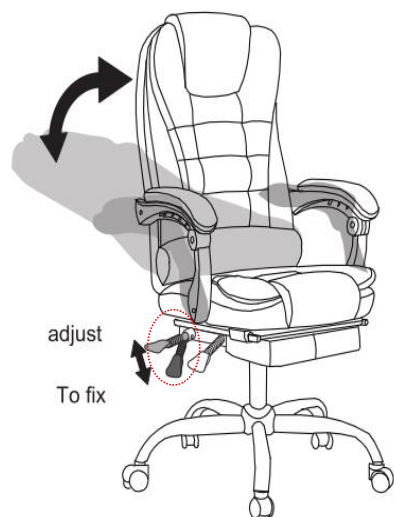
How to use (adjustment of height)

You can adjust the height of the chair by lifting the lever on the front side. It will be fixed when you release your hand.



How to use (adjustment of backrest)

- ① Sit on a chair and lean on the backrest.
- ② If you slowly pull up the reclining lever, the reclining function will be released and the backrest will tilt. (The angle can be adjusted up to about 135 degrees). After adjusting the backrest to the desired position, lower the lever on the back side to fix the backrest.



If the backrest is not fully inserted in the previous process, it may not be possible to fix the backrest, so please

Precautions for Users

About installation and use

- It is recommended to assemble by two person.
- Be sure to use it on a flat surface. There is a risk of overturning and injury.
- If you use it in a hot and humid room, mold and mites are likely to occur and it may be harmful to your health, so please improve the ventilation of the room.
- Avoid direct sunlight and strong winds from heat and air conditioners. It may cause distortion.
- If it is used on a fragile floor, install it on a rug to prevent the floor from being scratched.
- When moving, do not drag it and lift the main body to move it.

About safe handling precaution

- Do not use this chair unless all bolts, screws and knobs are firmly secured.
- Do not sit on the backrest or apply excessive load.
- Do not stand on this chair. Do not use this chair as a step ladder. It may cause injury due to damage or fall.
- Do not use it for small children or those who cannot judge the danger. There is a risk of injury due to unpredictable behavior.
- Please be sure to use it by yourself. If used by two or more people, there is a risk of rollover injury.
- Do not use, modify or disassemble this product for any purpose other than its intended purpose. There is a risk of damage or injury.
- Do not use this product around a heater. There is a risk of fire.
- If this product is damaged, deteriorated or deformed, discontinue use.
- When unpacking, the odor of packing materials and adhesives may remain. Please use it after sufficient ventilation.
- Wipe gently with a dry cloth to remove dirt. To remove significant stains, use a soft cloth that has been wrung out well to remove the stains, and then wipe with a dry cloth to remove the moisture.
- Do not use thinner, benzene, etc.