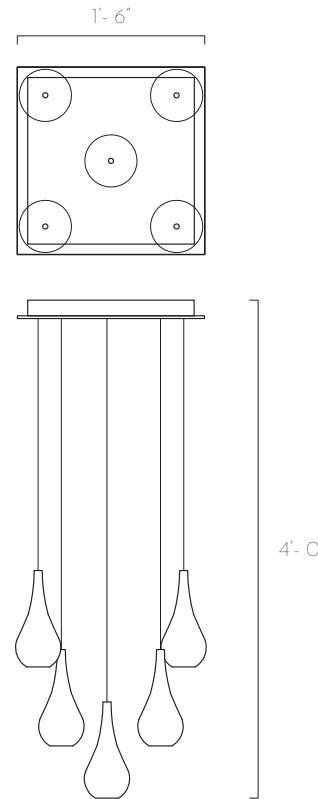


# PORCELAIN DROPS

## 5 PENDANTS SQUARE CHANDELIER



### DESCRIPTION

The Porcelain Drop pendants are hand-made by Canadian porcelain artist Bill Reddick. An elegant and modern multi-pendant light fixture comprises of hand-made porcelain and encases a dimmable LED bulb.

### TECHINCAL SPECIFICATIONS

#### Designed by

Bill Reddick & AM Studio Team

#### Category

Pendant Chandelier

#### Canopy Finish

Powder coated metal in Flat White/ Satin Nickel

#### Canopy Size

18"L x 18"W x 1.5"H

#### Pendant Material

White Porcelain

#### Pendant Size

4"W x 9 1/4"H

#### Total Drop

4'H + 1' extra wire for adjustment

#### Bulb

Dimmable G4 LED - 12V - 2W

#### Recommended Dimming Switch

Lutron CTCL-153PD

Lutron Pro

#### Transformer:

Magnitude E6OR12DC - 60W 12VDC - Dimmable - Class 2

LED Driver

Input: 120V

Output: 12V

#### Electrical Outlet needed: 1

#### Approx. Weight

18 kg

#### Catalogue # PD-5-18S

**Note:** Due to the nature of our handmade work, there may be slight variances in porcelain colour. AM Studio light fixtures are made to order, handmade and created in Toronto, Canada.