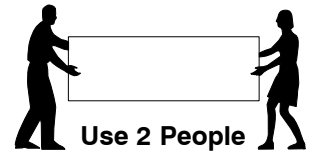
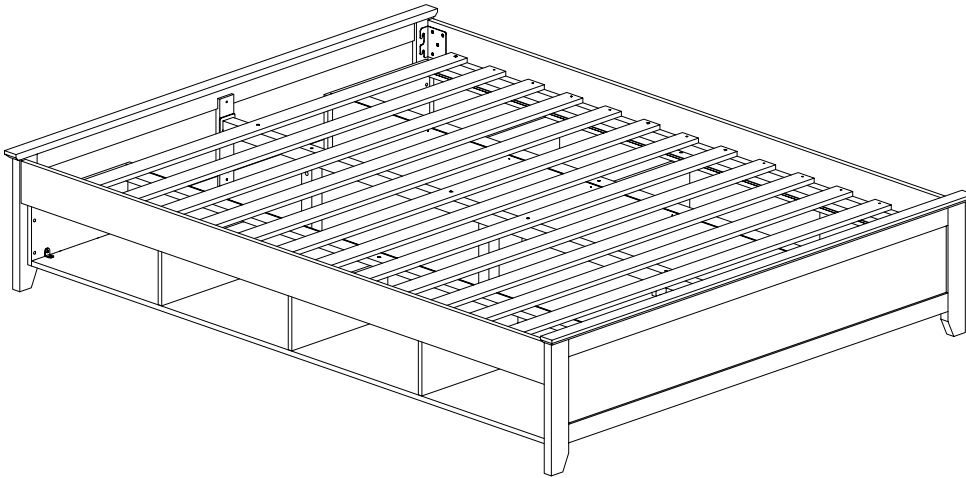


Queen Bed

Assembly Instructions

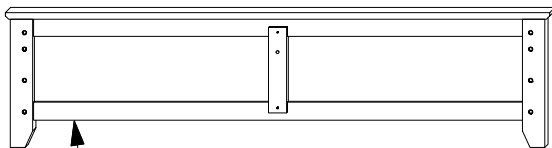
1 Assembled View



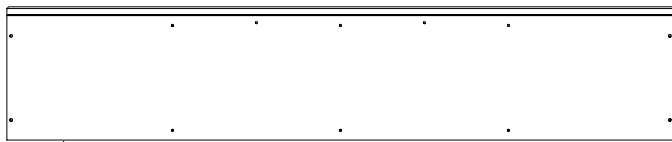
Note: Do not assemble using power tools. This can cause the bolts to be overtightened

2 Parts List

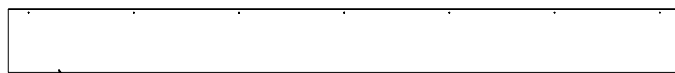
Parts in Box A:



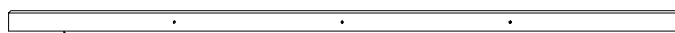
A Head / Footboard x 2



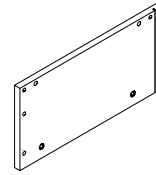
B Storage Bottom Panel x 2



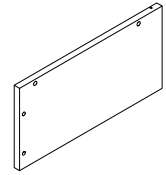
C Storage Back Panel x 2



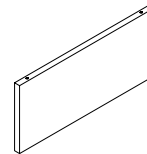
D Storage Support Rail x 4



E Storage Side Panel (Left Hand) x 2



F Storage Side Panel (Right Hand) x 2

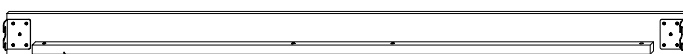


G Storage Divider x 6

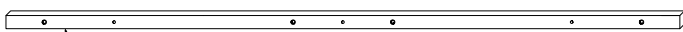


H Storage Foot x 4

Parts in Box B:



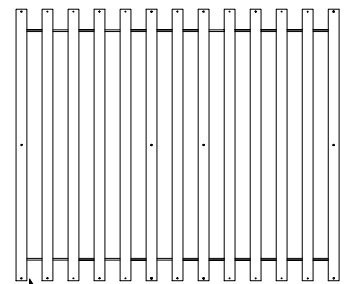
J Side Rail x 2



K Long Support x 1



L Support Leg x 3



M Set of Bed Slats x 1

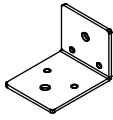
Queen Bed

Assembly Instructions

3 Hardware List



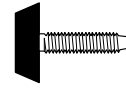
1 M4 Allen Key
x 1



2 Center Rail
Bracket x 2



3 'L' Bracket
x 8



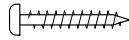
4 Adjustable
Foot x 3



5 Barrel
Nut x 3



6 Wood Screw
(M4 x 16mm) x 14



7 Wood Screw
(M4 x 32mm) x 18



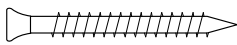
8 Wood Dowel
(M8 x 30mm) x 8



9 Spring
Washer x 8



10 Flat Washer
x 8



11 CSK Cap Wood Screw
(M6 x 60mm) x 24



12 M6 x 15mm JCB
x 20



13 M6 x 20mm JCB
x 8



14 M6 x 30mm JCB
x 8



15 M6 x 40mm JCB
x 16

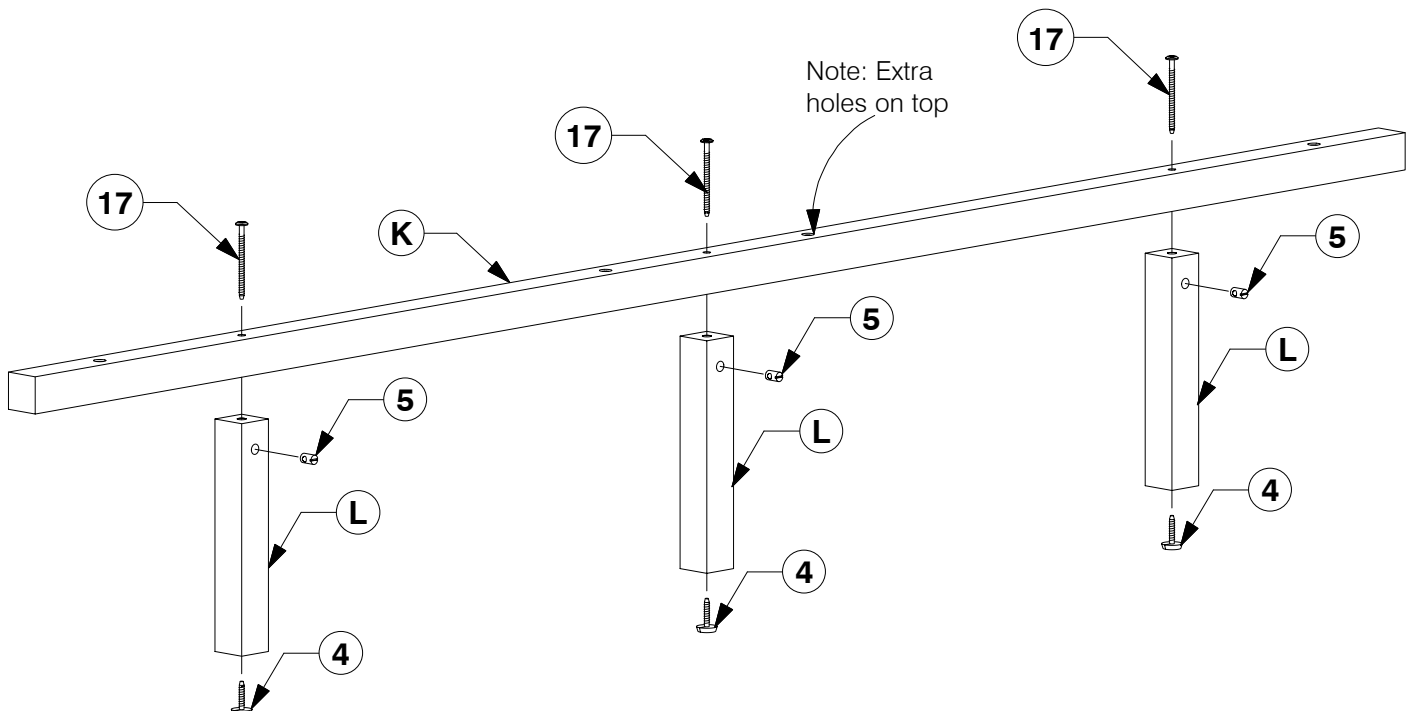


16 M6 x 60mm JCB
x 8



17 M6 x 90mm JCB
x 3

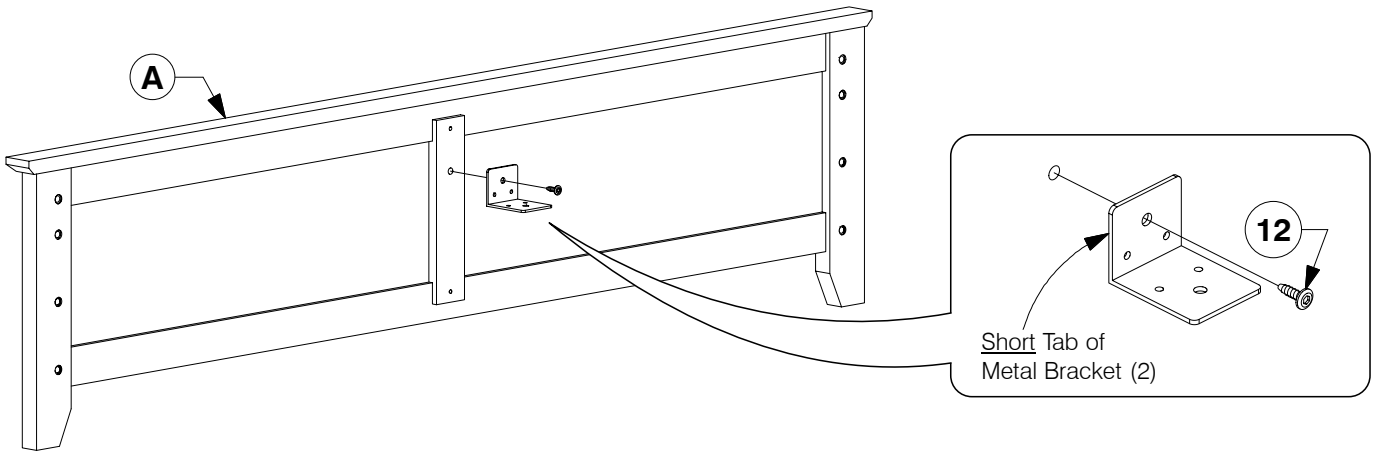
4 Assemble the Support Leg (L) to the Long Support (K).



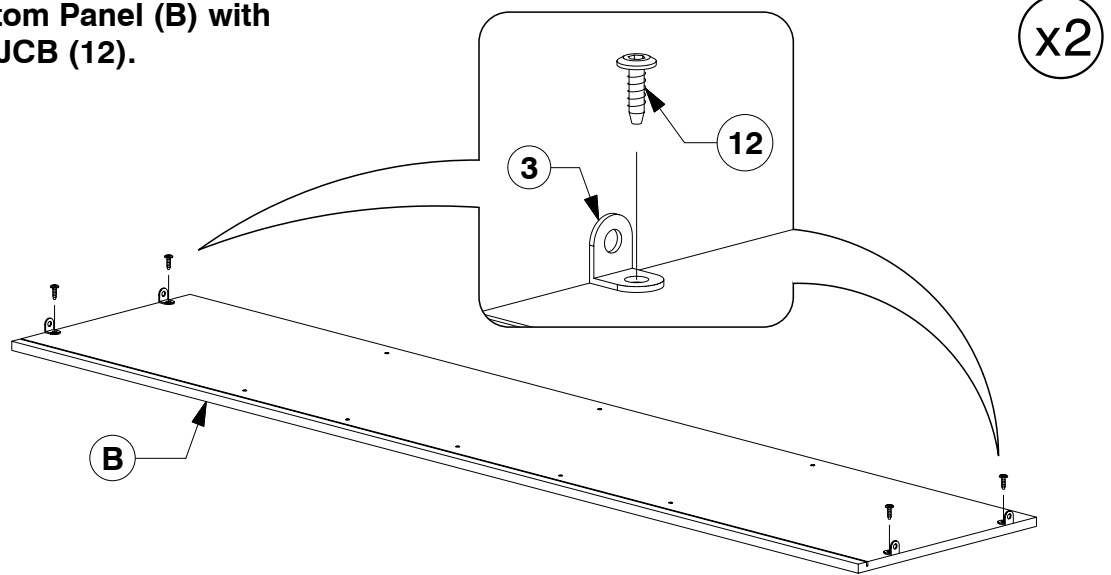
Queen Bed

Assembly Instructions

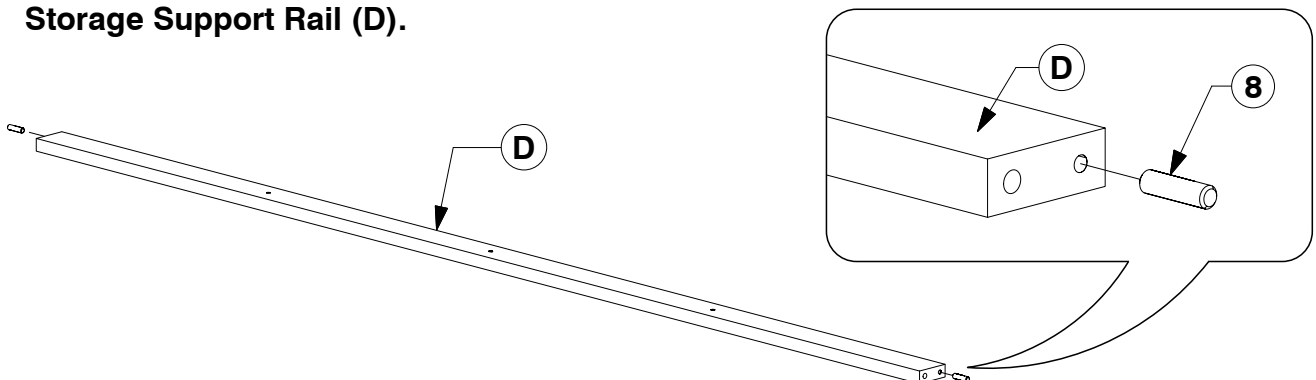
- 5** Fit the Center Rail Bracket to the Head / Footboard (A).



- 6** Fit the 'L' Bracket (3) to the End of the Storage Bottom Panel (B) with M6 x 15mm JCB (12).



- 7** Tap the Wood Dowel to the end of the Storage Support Rail (D).

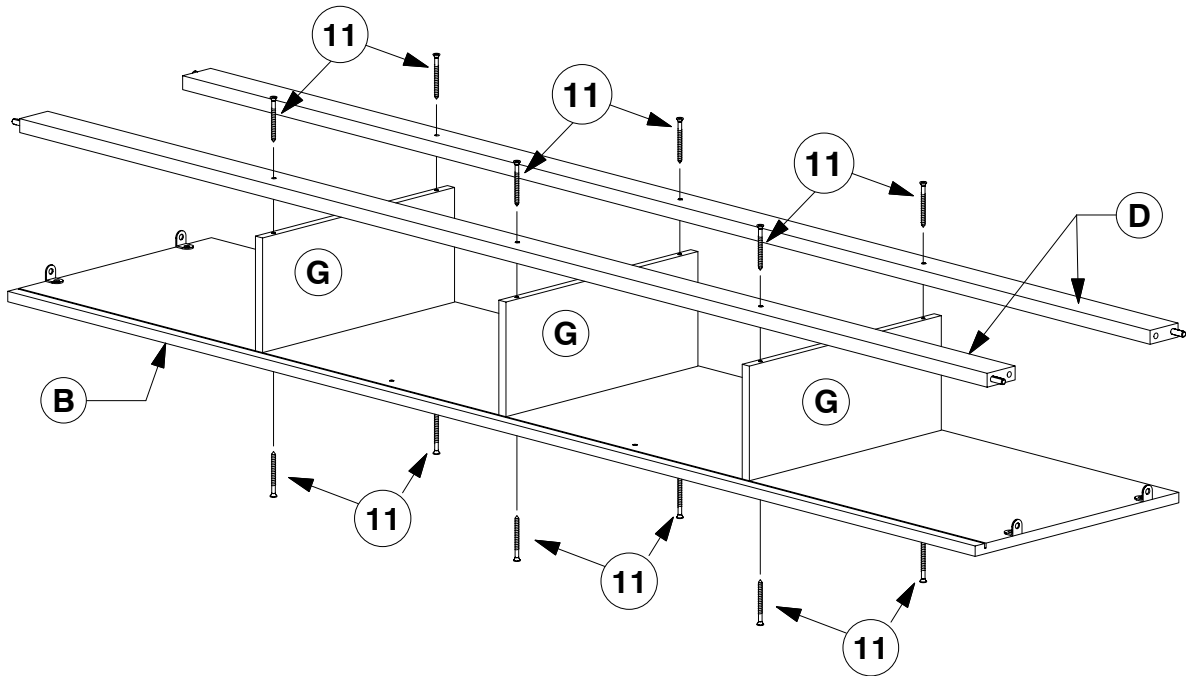


Queen Bed

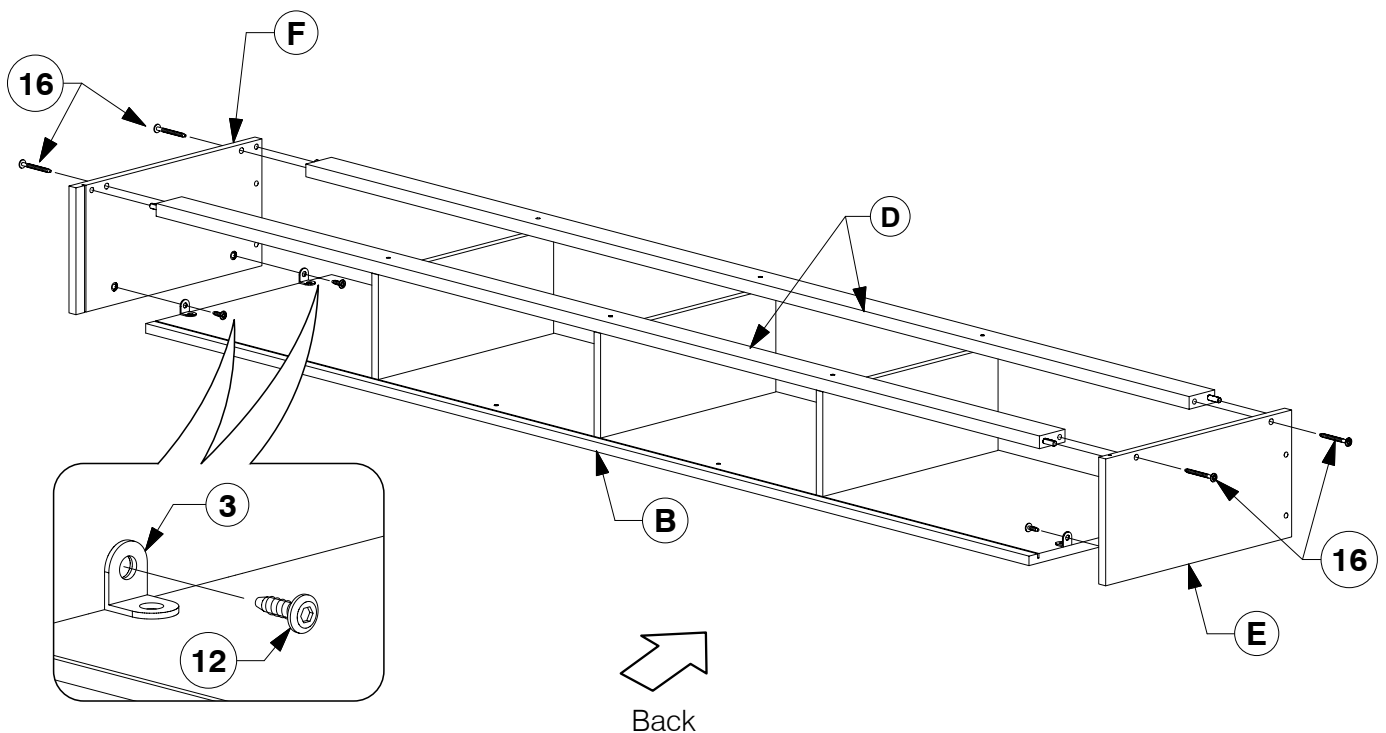
Assembly Instructions

- 8** Assemble the Storage Bottom Panel (B) & Support Rail (D) to the Storage Divider (G).

x2



- 9** Assemble the Storage Side Panel (E & F) to the Storage Bottom Panel & Support Rail (B & D).

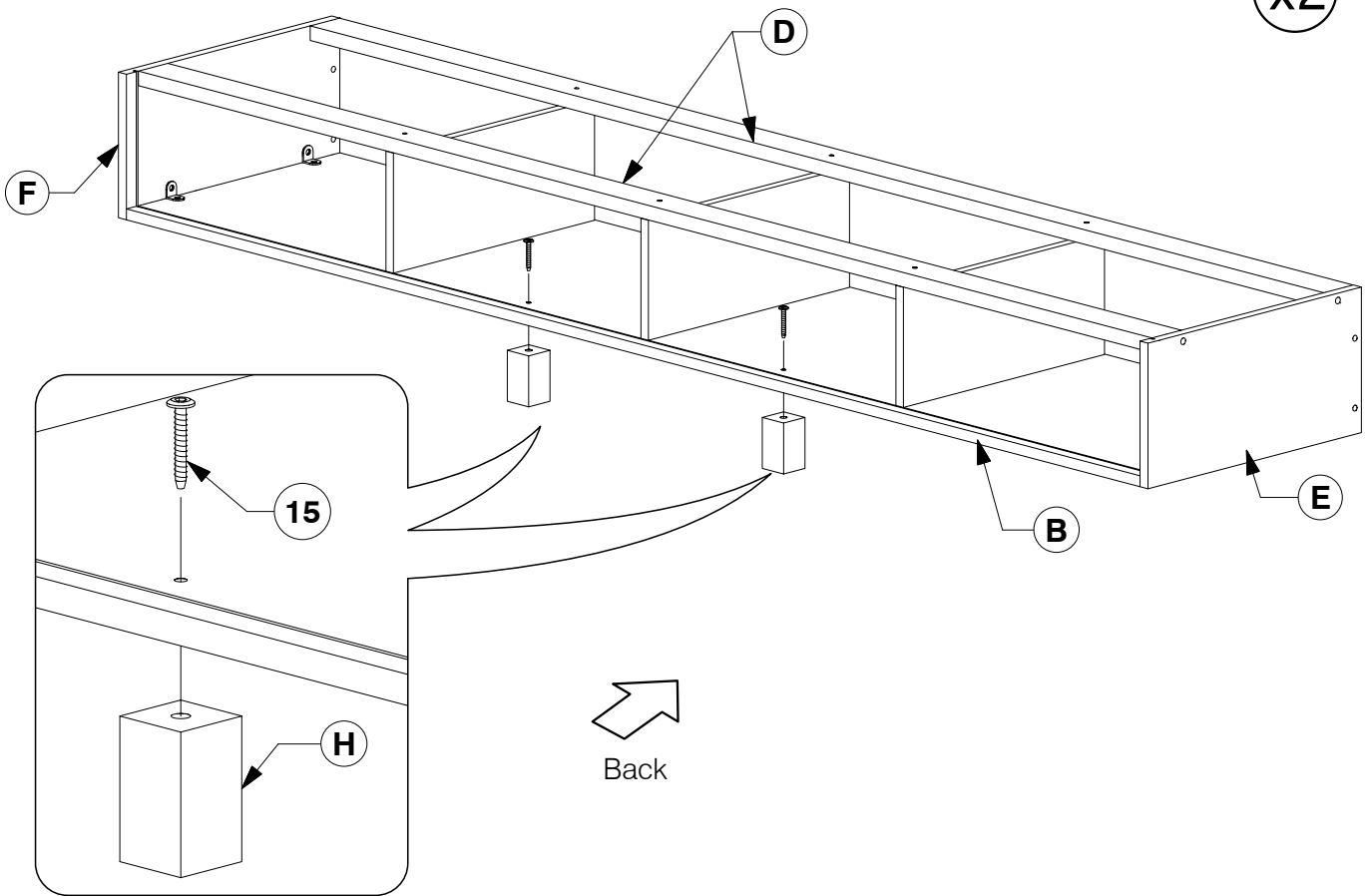


Queen Bed

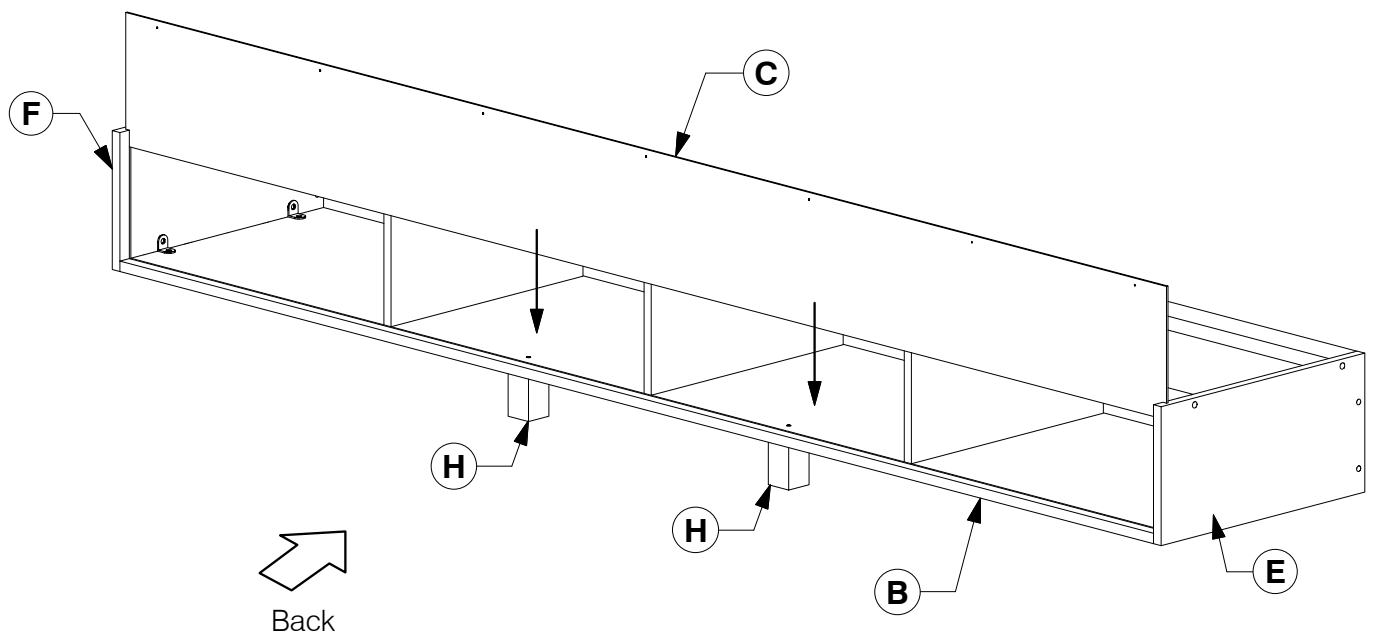
Assembly Instructions

- 10** Fit the Storage Foot (H) to the Storage Bottom Panel (B).

x2



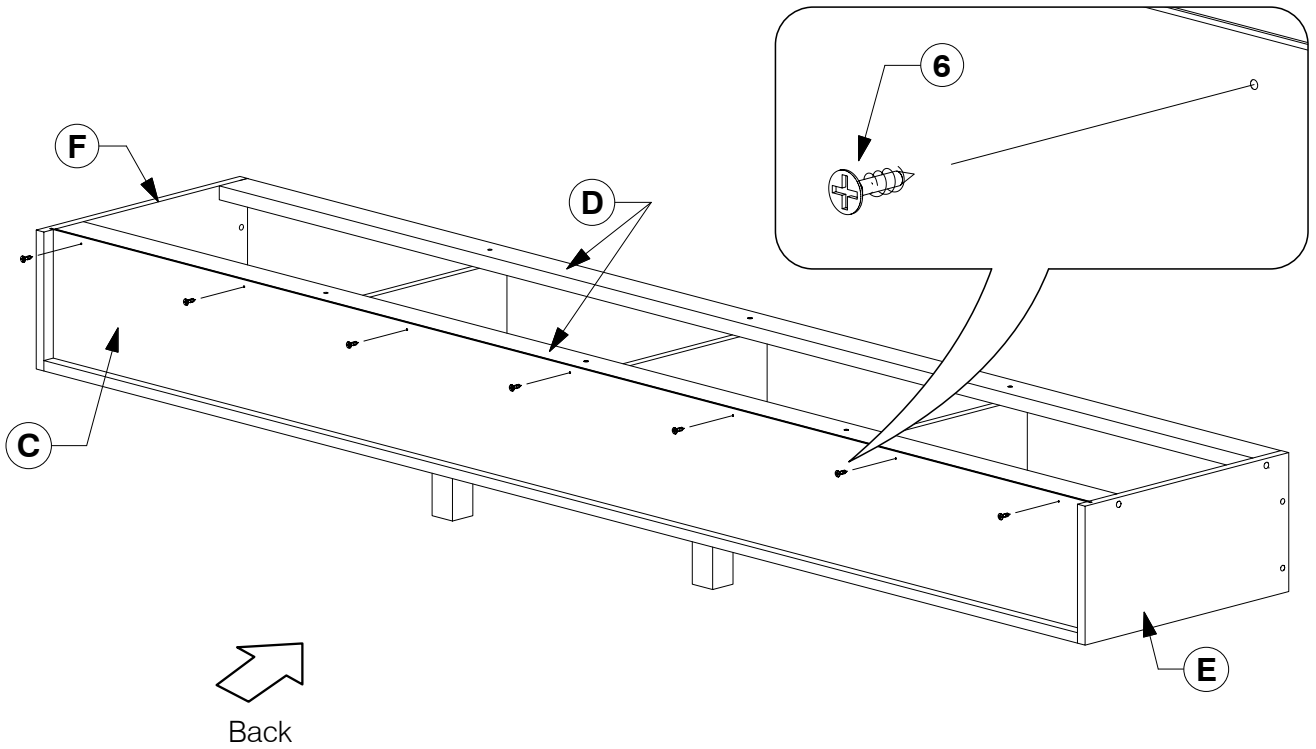
- 11** Slide the Storage Back Panel (C) into the groove.



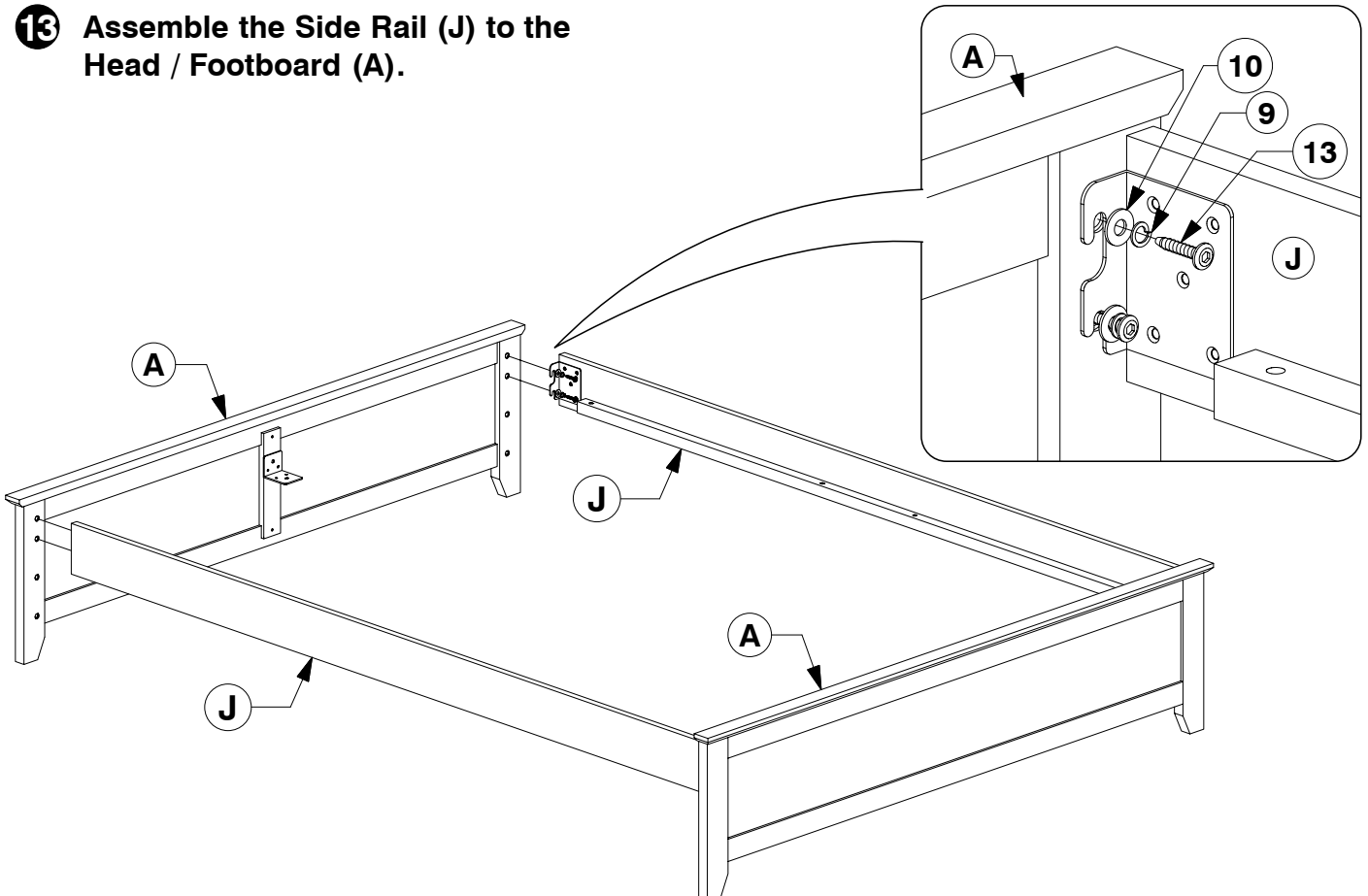
Queen Bed

Assembly Instructions

- 12** Fit the Storage Back Panel (C) in place.



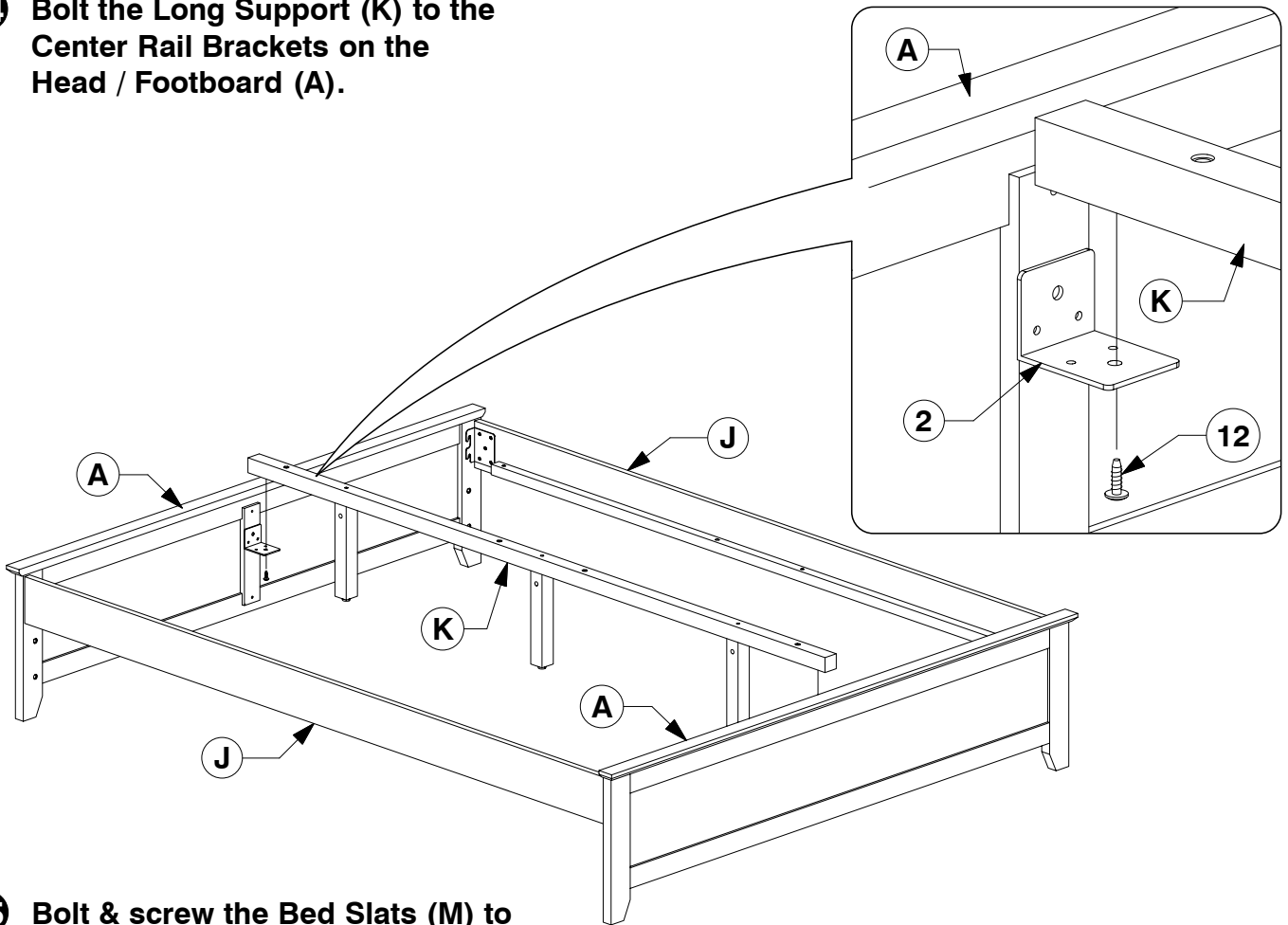
- 13** Assemble the Side Rail (J) to the Head / Footboard (A).



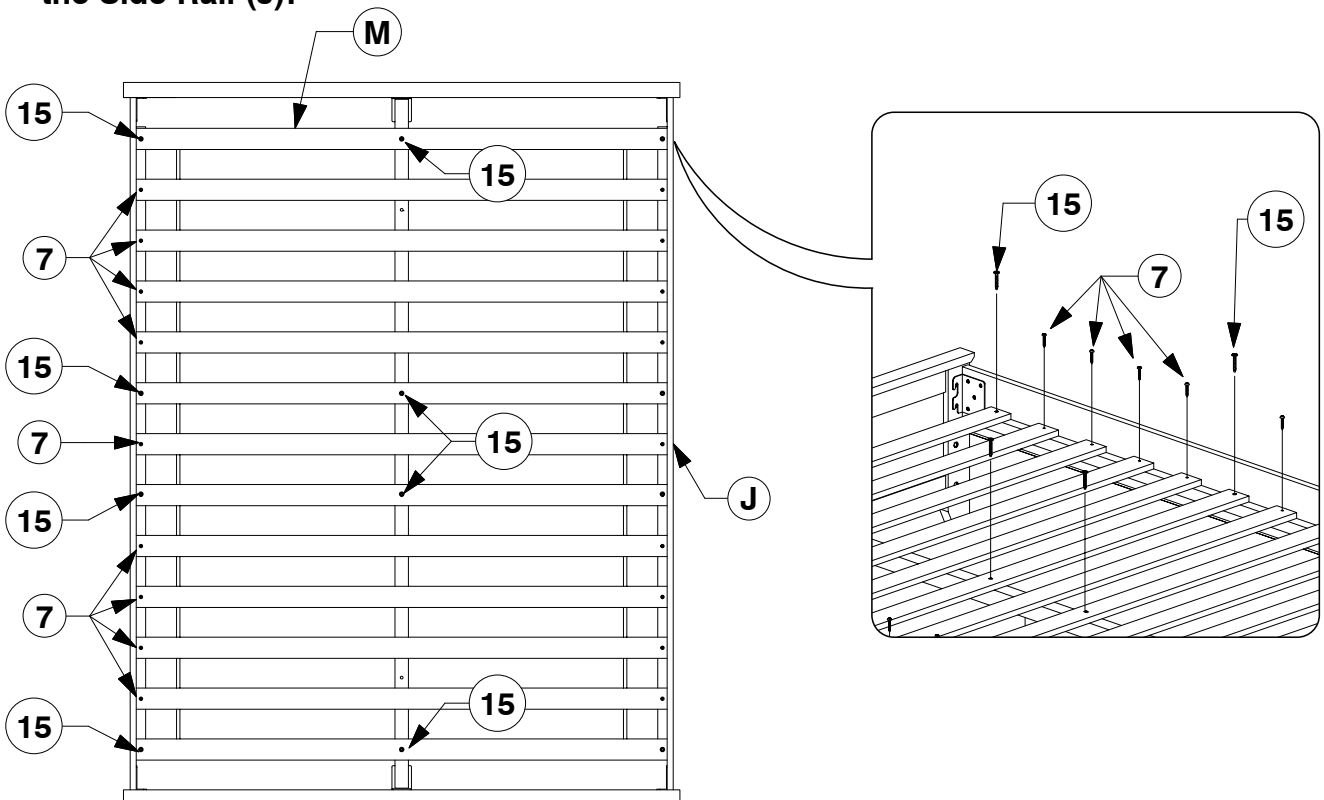
Queen Bed

Assembly Instructions

- 14** Bolt the Long Support (K) to the Center Rail Brackets on the Head / Footboard (A).



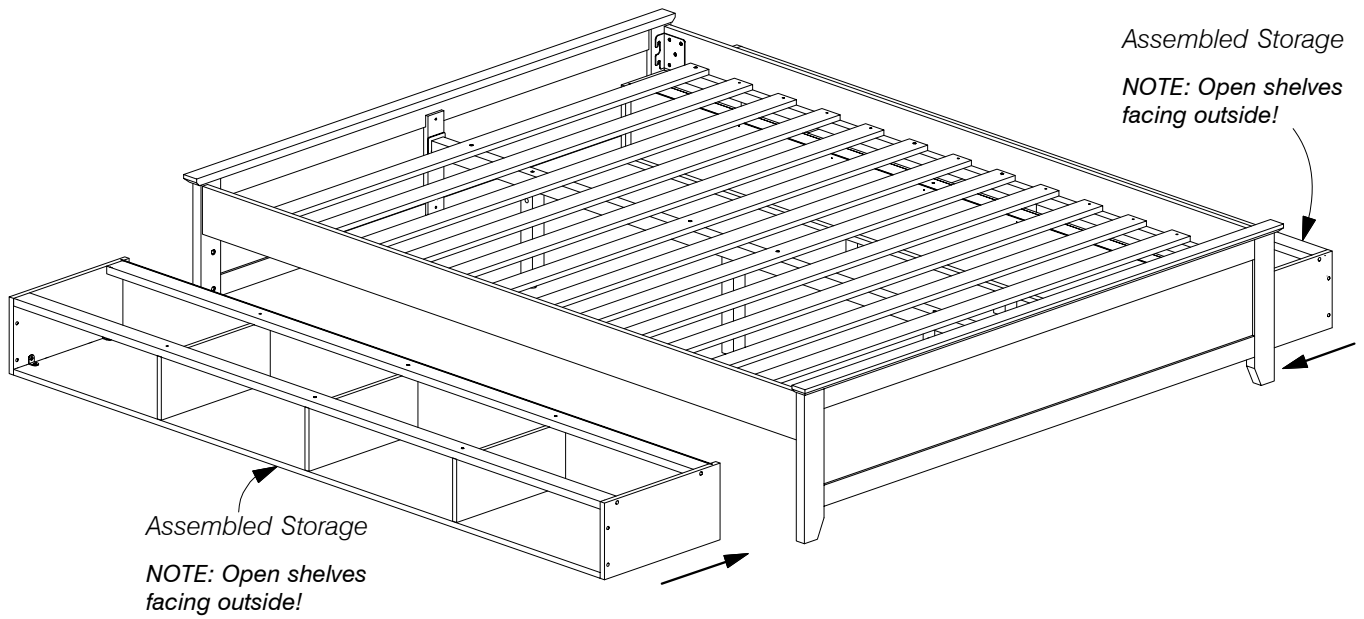
- 15** Bolt & screw the Bed Slats (M) to the Side Rail (J).



Queen Bed

Assembly Instructions

16 Fit the Assembled Storage under the Bed Frame.



17 Bolt the Assembled Storage to the Bed Frame with M6 x 30mm JCB (14).

