

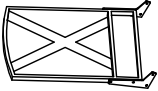







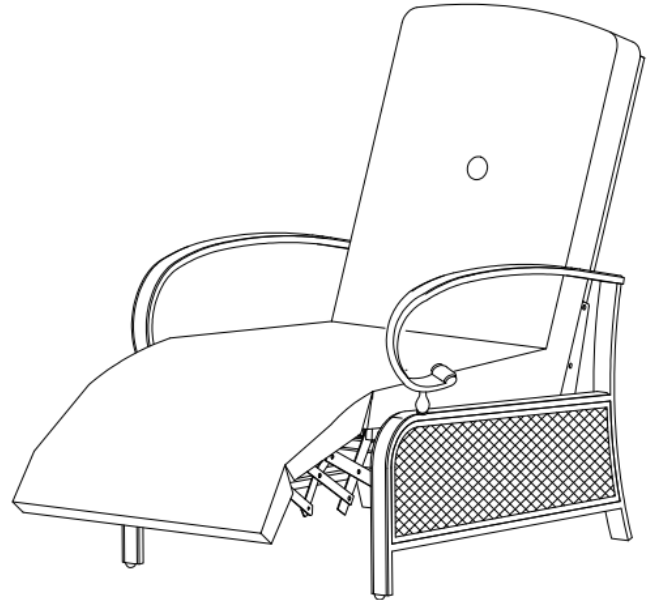


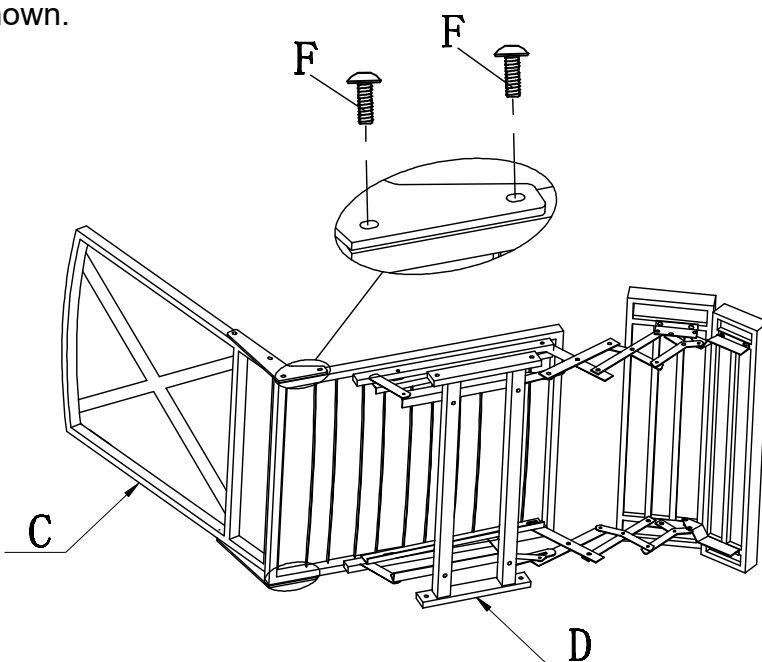
CHAIR

A		Right Arm Rest	1PC
B		Left Arm Rest	1PC
C		Seat Back	1PC
D		Seat Base	1PC
E		Rail	1PC
F		M6*15 Screw	8PCS
G		M6*28 Screw	4PCS
H		Washer	4PCS
I		Allen Key	1PC
J		Cushion	1PC



①

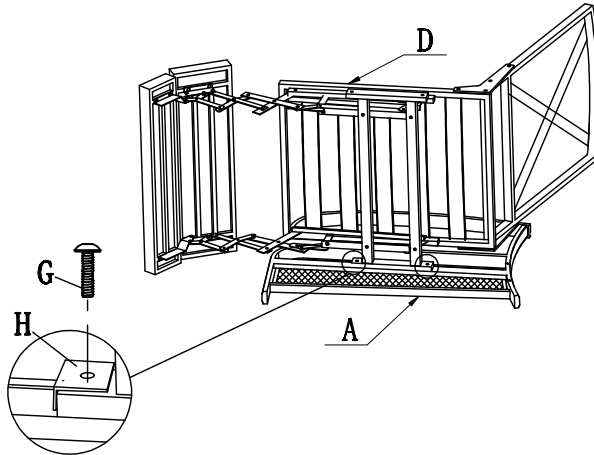
Attach seat back (C) to seat base (D) using M6*15 screws (F) as shown.



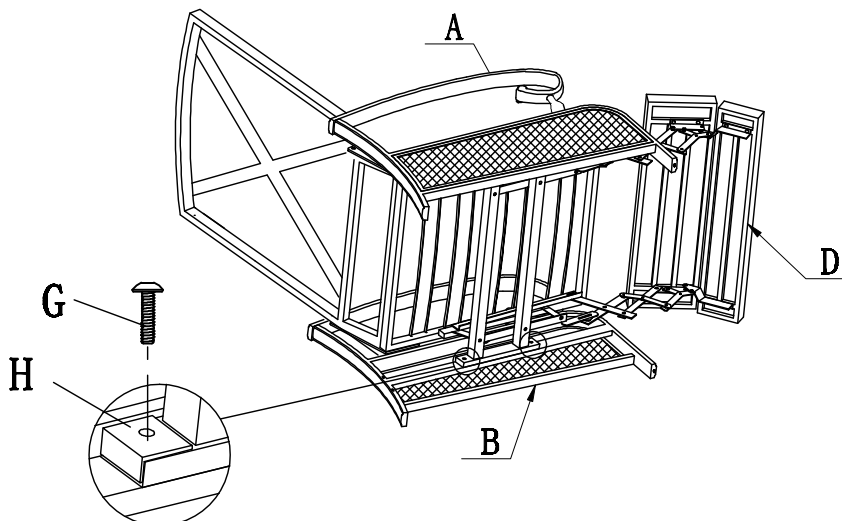
Loose attach all connections at the beginning, adjust alignments then fully tighten all joints

CHAIR

- ② Attach right arm rest (A) to seat base (D) using M6*28 screw (G) and washer (H) as shown.



- ③ Attach left arm rest (B) to seat base (D) using M6*28 screw (G) and washer (H) as shown.

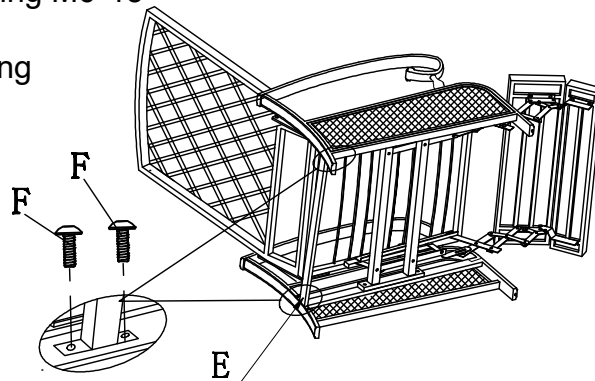


Loose attach all connections at the beginning, adjust alignments then fully tighten all joints

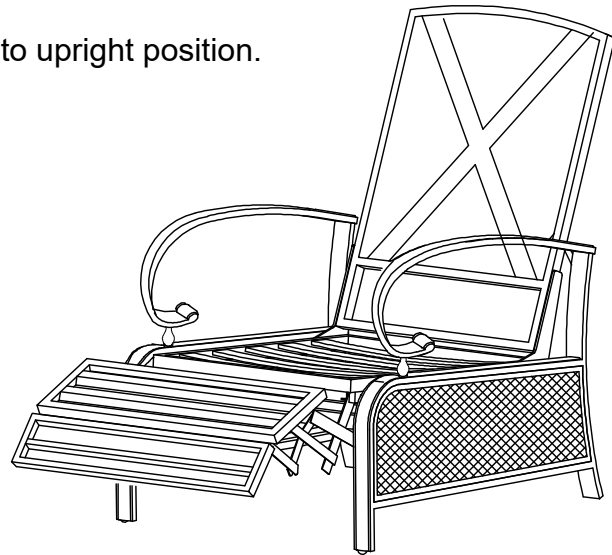
CHAIR

DO THIS TWO TIMES

- ④ Attach rail (E) to right arm rest(A) using M6*15 screw(F) as shown.
Attach rail (E) to left arm rest (B) using M6*15 screw (F) as shown.



- ⑤ Fully tighten all screws and turn the chair to upright position.



- ⑥ Put cushion(J) on the seat.

Enjoy your chair!

