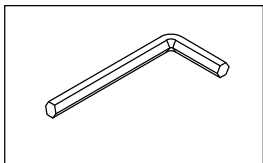


Tools You Will Need: Tools You May Need



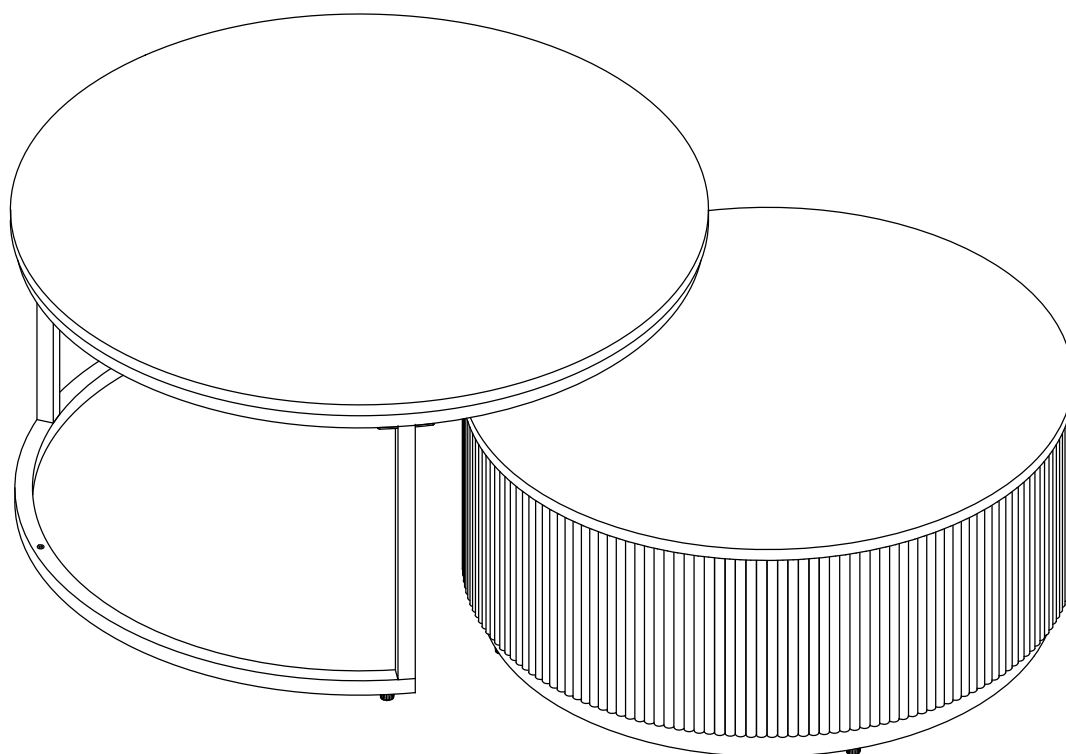
Hexagon wrench

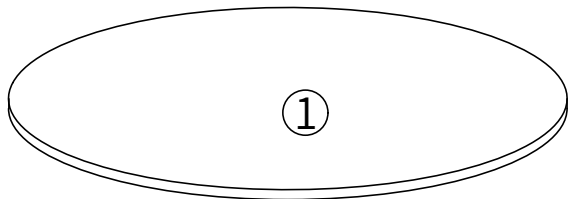
Before the Installation


1. Do not throw away packing materials until assembly is complete for small parts may come loose inside the carton during shipment, If parts are missing, please contact us.
2. Assemble this item on a soft surface, such as carpet to protect the finish.
3. Proper assembly of this item requires 2 people.
4. Periodically check to ensure that all connections are tight.
5. It is recommended that installation of the product be done by a qualified licensed furniture assembler.

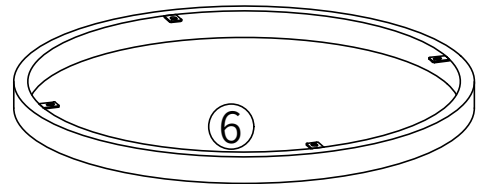
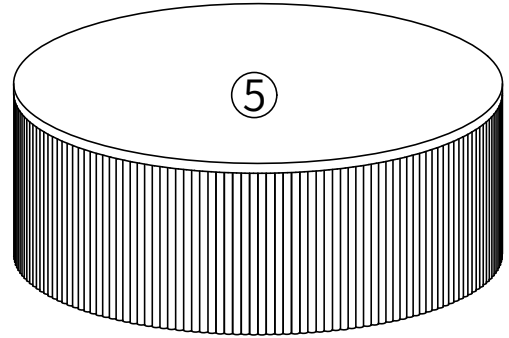
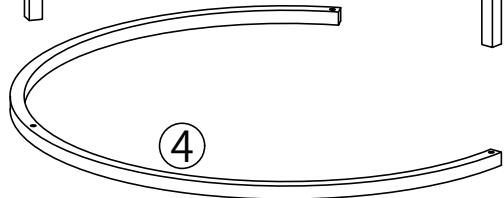
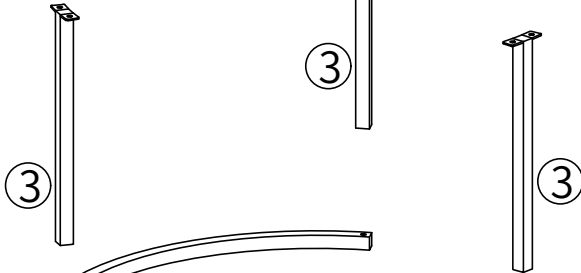
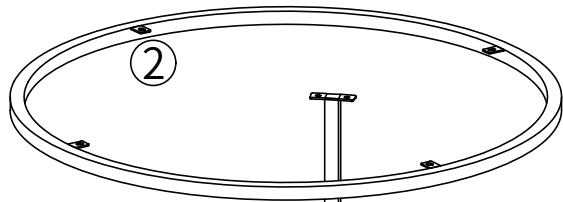
Care and Cleaning

1. To protect the finish, avoid use chemicals and household cleaners.
2. All hot serving dishes should be placed on a pad.
3. Any liquid spilled onto the top should be cleaned up immediately with a damp cloth.

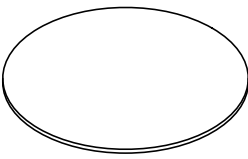
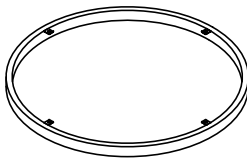

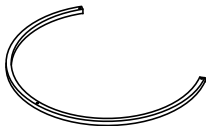
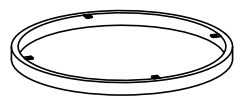


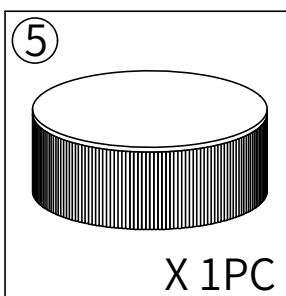



 There is a protective film on board 1 and 5,
 please tear it off before put the table into use.

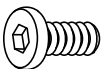
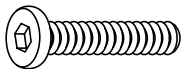
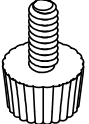
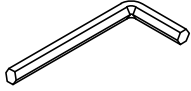


Parts List

 X 1PC	 X 1PC	 X 3PCS	 X 1PC	 X 1PC
--	--	---	---	--

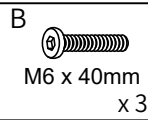
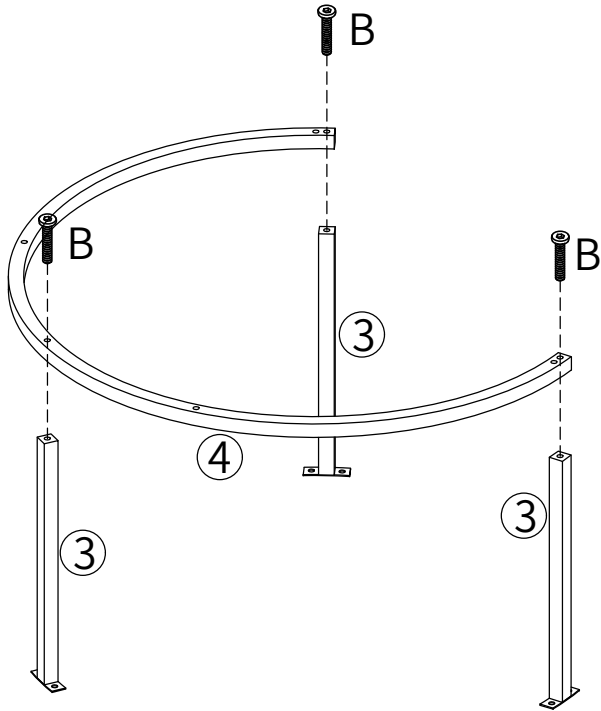


Hardware List

 M6*12mm X 14PCS	 M6*40mm X 3PCS	 X 8PCS	 M4 X 1PC
---	--	--	--

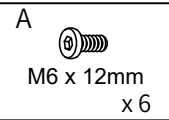
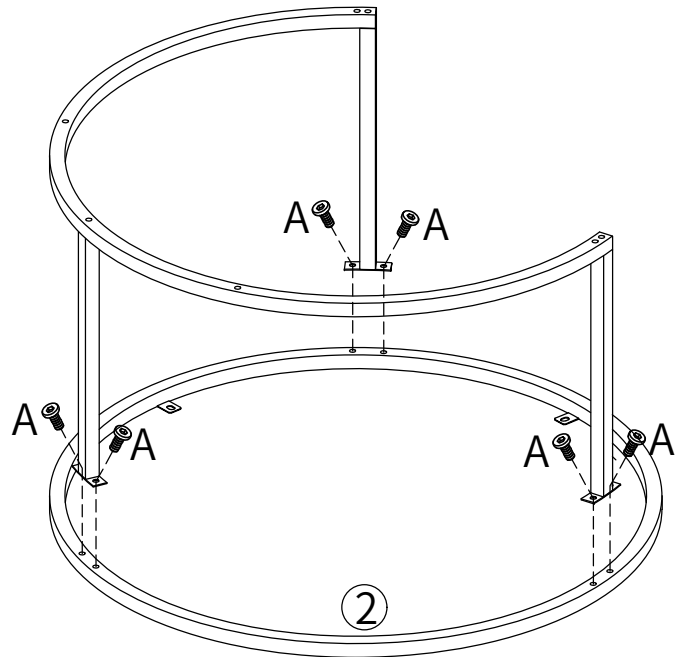
Step 1

NOTE: DO NOT tighten the bolts during this step.



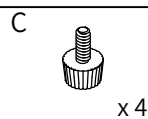
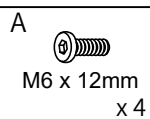
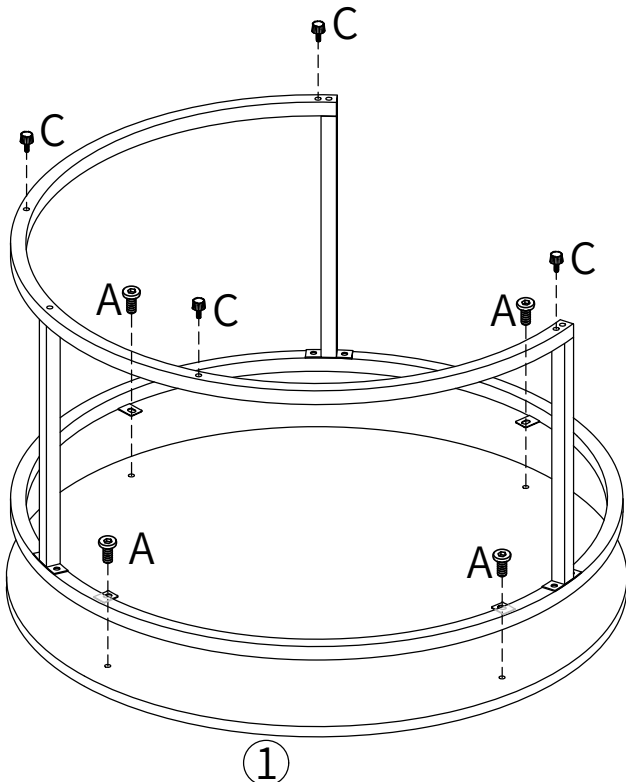
Step 2

NOTE: DO NOT tighten the bolts during this step.

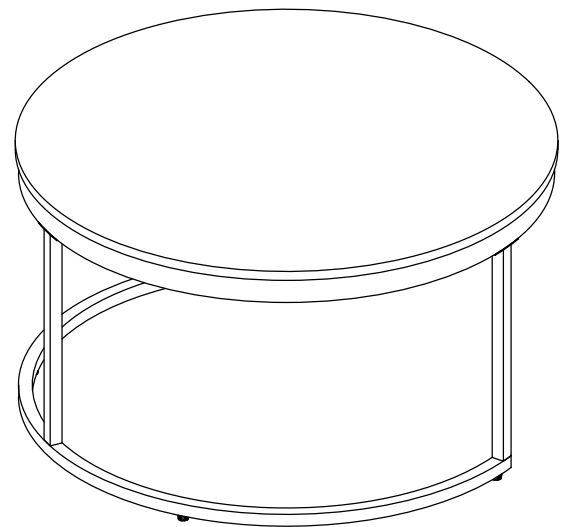


Step 3

Tighten the bolts.

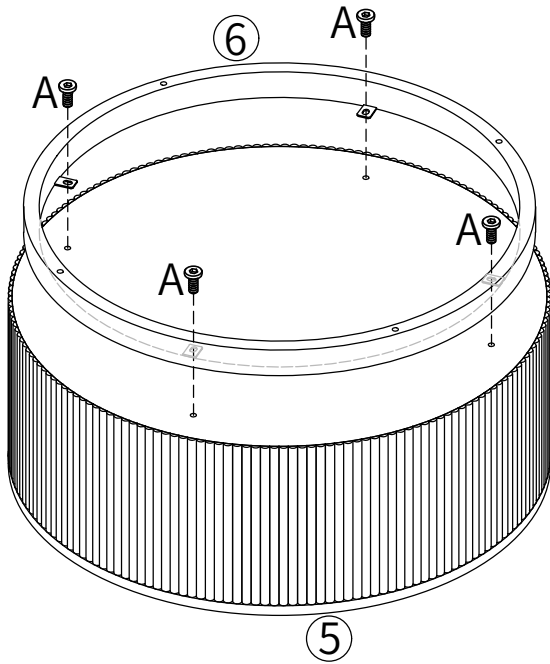



Step 4



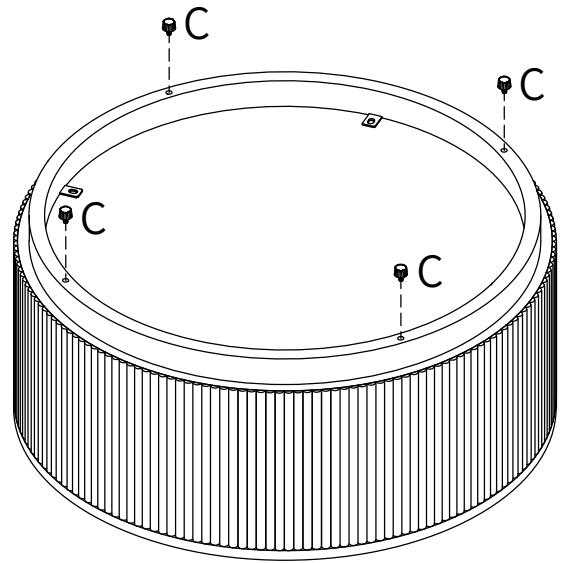
Step 5


Tighten the bolts.



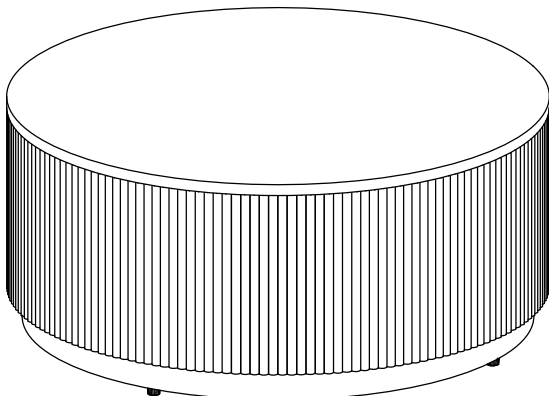
A

M6 x 12mm
x 4

Step 6




C

x 4

Step 7



Step 8


There is a protective film on board 1 and 5,
please tear it off before put the table into use.

