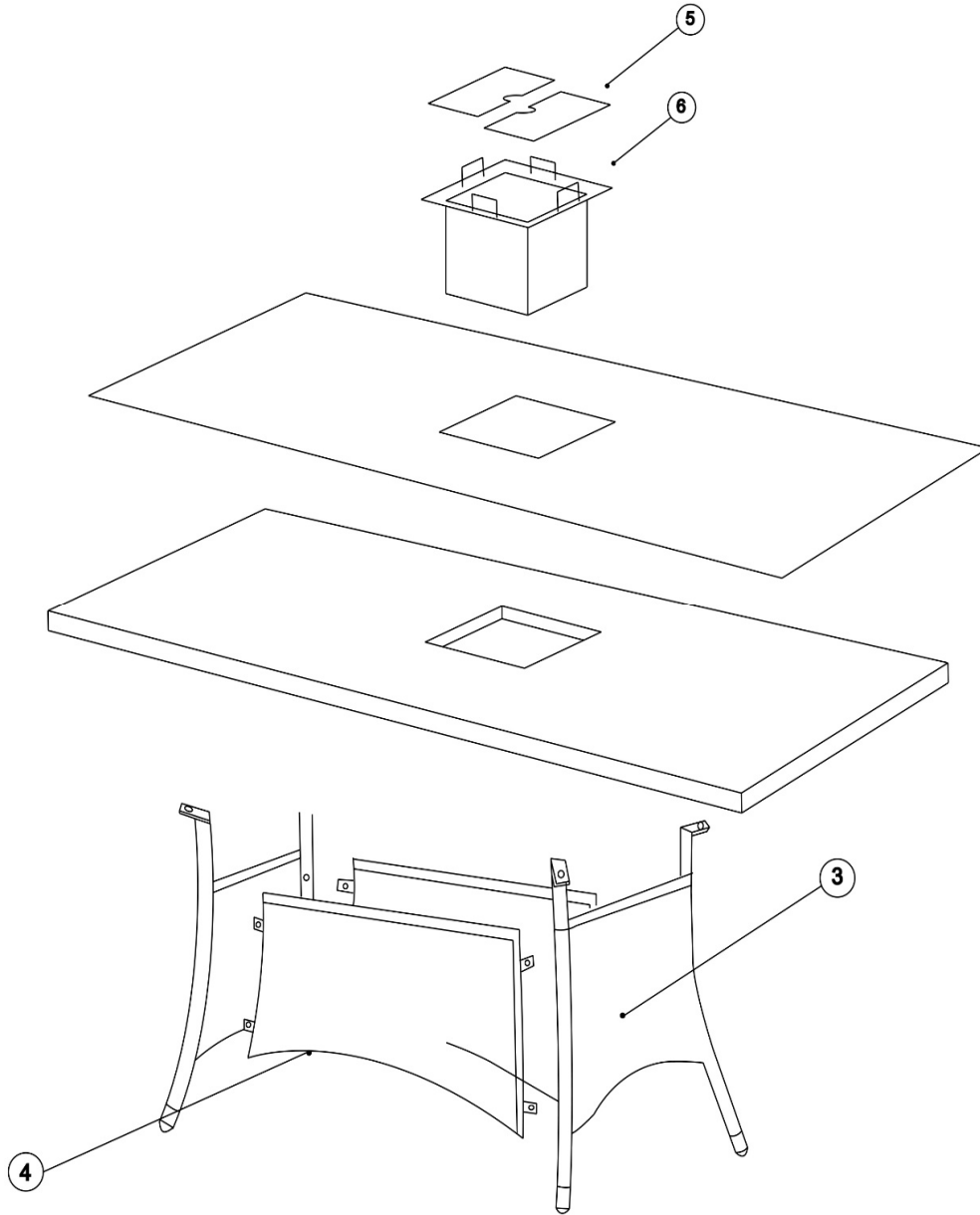


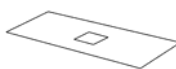


WICKER RECTANGLER DINING TABLE



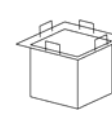
Assembly instructions

GETTING TO KNOW YOUR PRODUCT



Components supplied. Please use this guide if you require replacement parts.

Ref	Dimensions	Visual	Qty
1	100*100*0.8cm		1
2	100*100*6cm		1
3	72*66cm		2

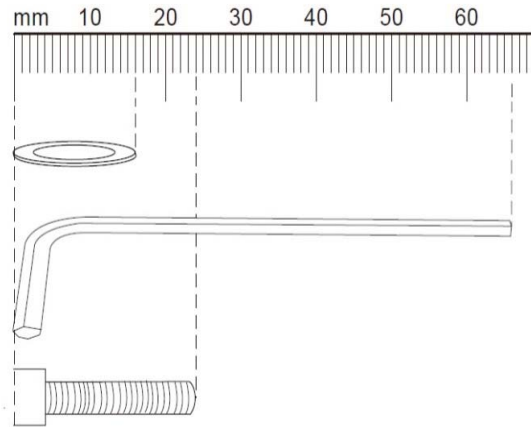
Ref	Dimensions	Visual	Qty
4	133*33cm		2
5	30*15*2.5cm		2
6	30*30*18cm		1

WICKER RECTANGLER DINING TABLE

Assembly instructions

Fixtures and fittings
supplied(actual size)

Ref	Dimensions	Qty
A	∅6*1mm	12
B	22*66mm	1
C	1/4x25mm	12

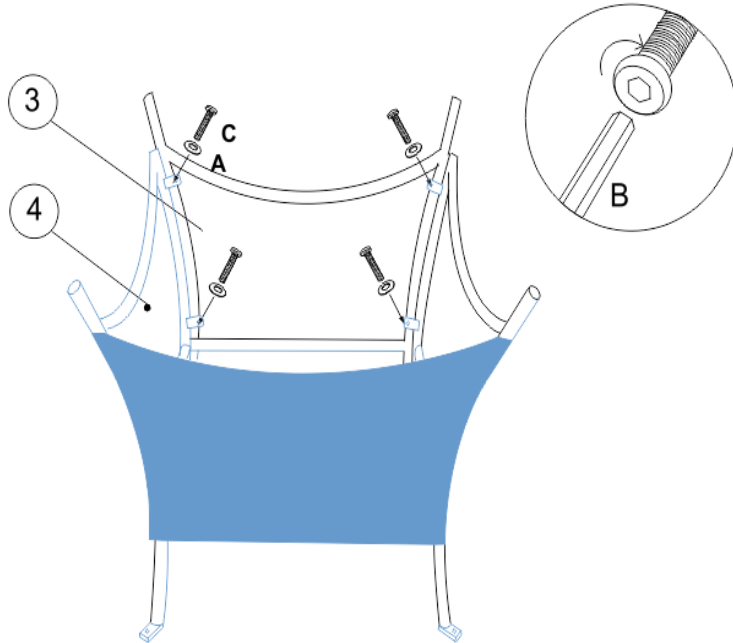


WICKER RECTANGLER DINING TABLE

Assembly instructions

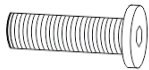
1

Tip - Do not fully tighten the bolts until the item is fully assembled.



C x 8

1/4 x 25mm



A x 8

ø16 x 1.0mm

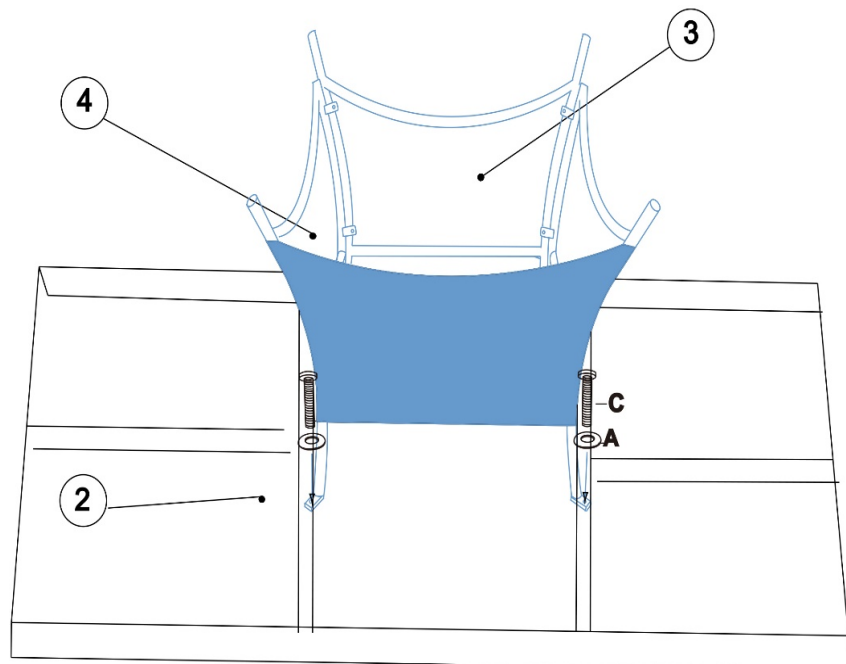


B x 1

22 x 66 mm



2



C x 4

1/4 x 25mm



A x 4

ø16 x 1.0mm



B x 1

22 x 66 mm



- Remember to fully tighten all bolts before turning over.

WICKER RECTANGLER DINING TABLE

Assembly instructions

3

