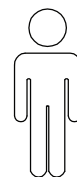
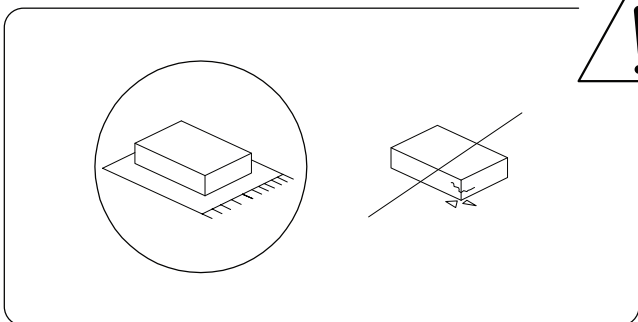
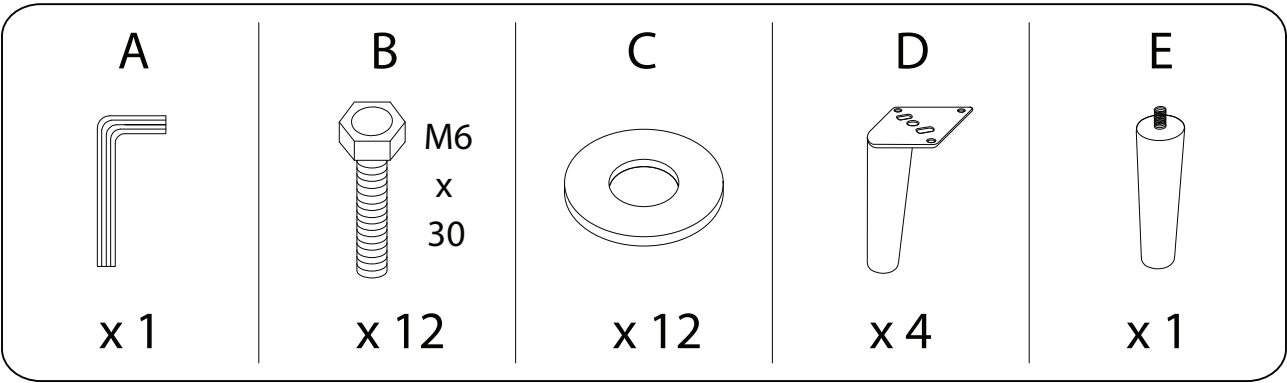
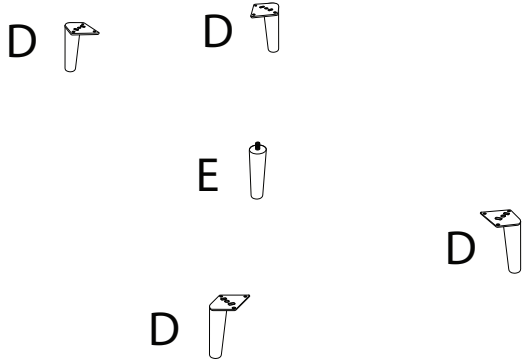
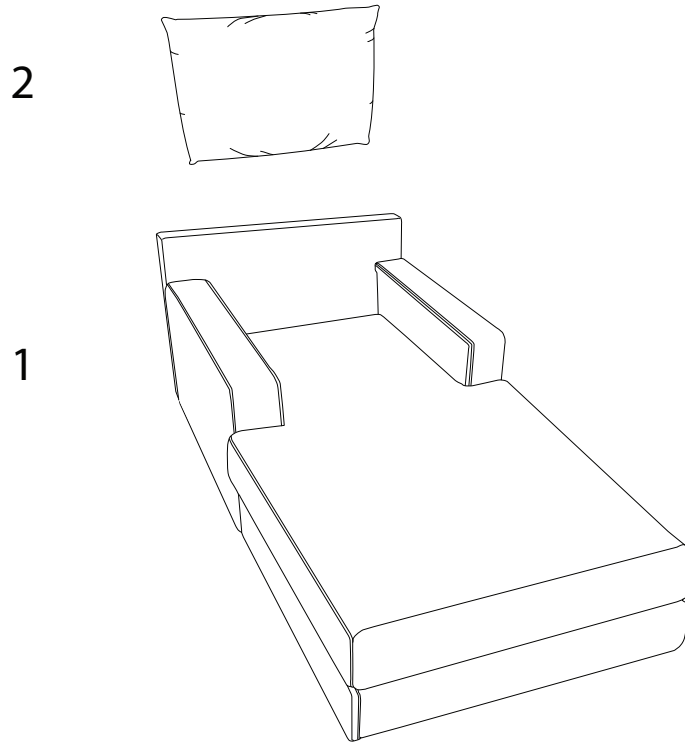
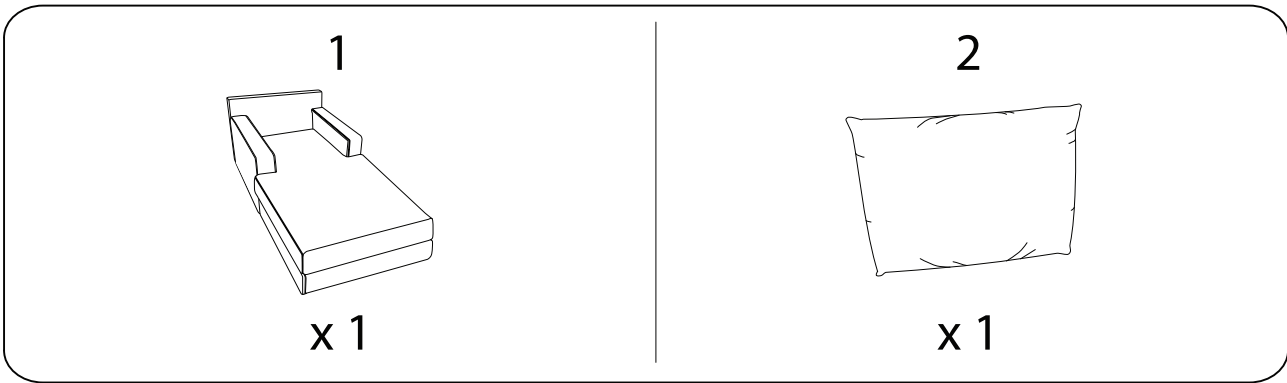


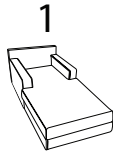
15'



2

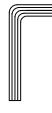


1



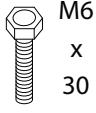
x 1

A



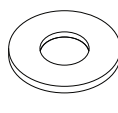
x 1

B



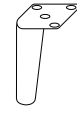
x 12

C



x 12

D

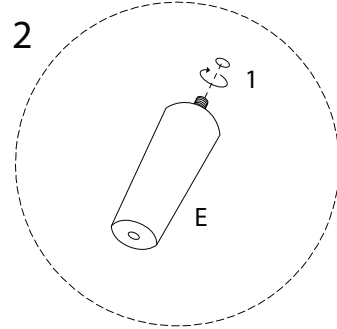
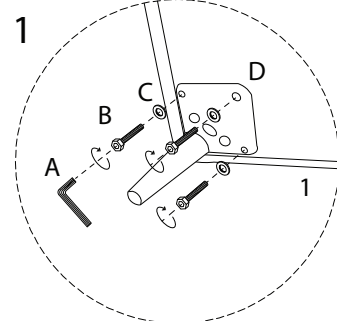
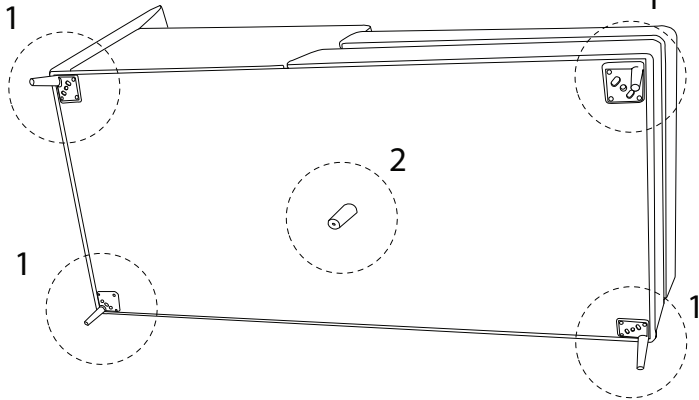


x 4

E



x 1



2

2



x 1

