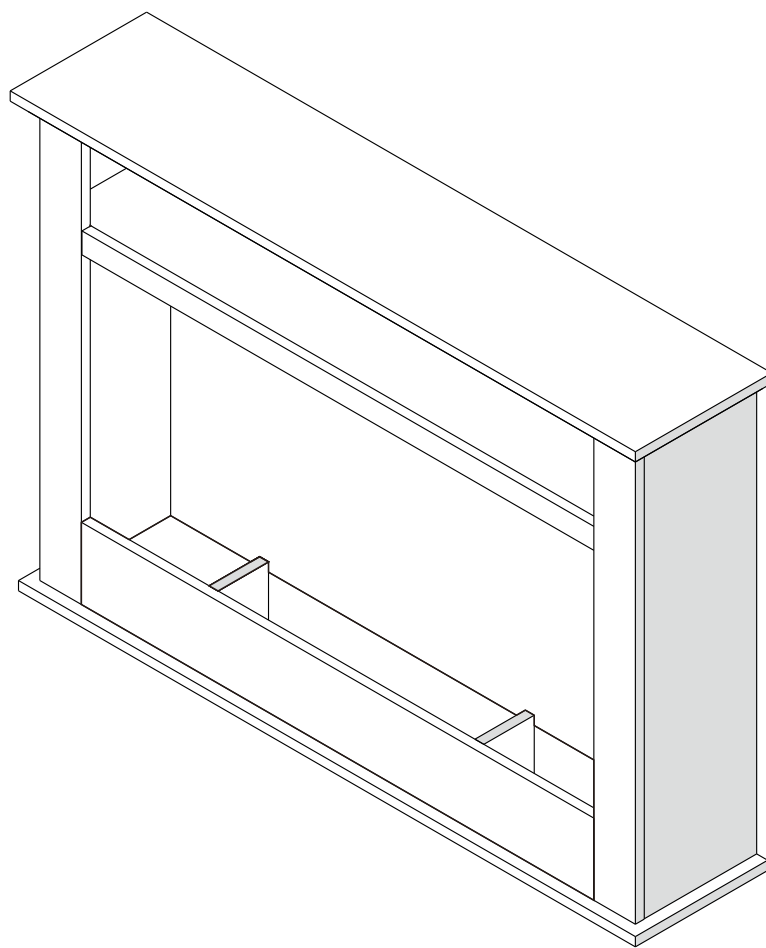
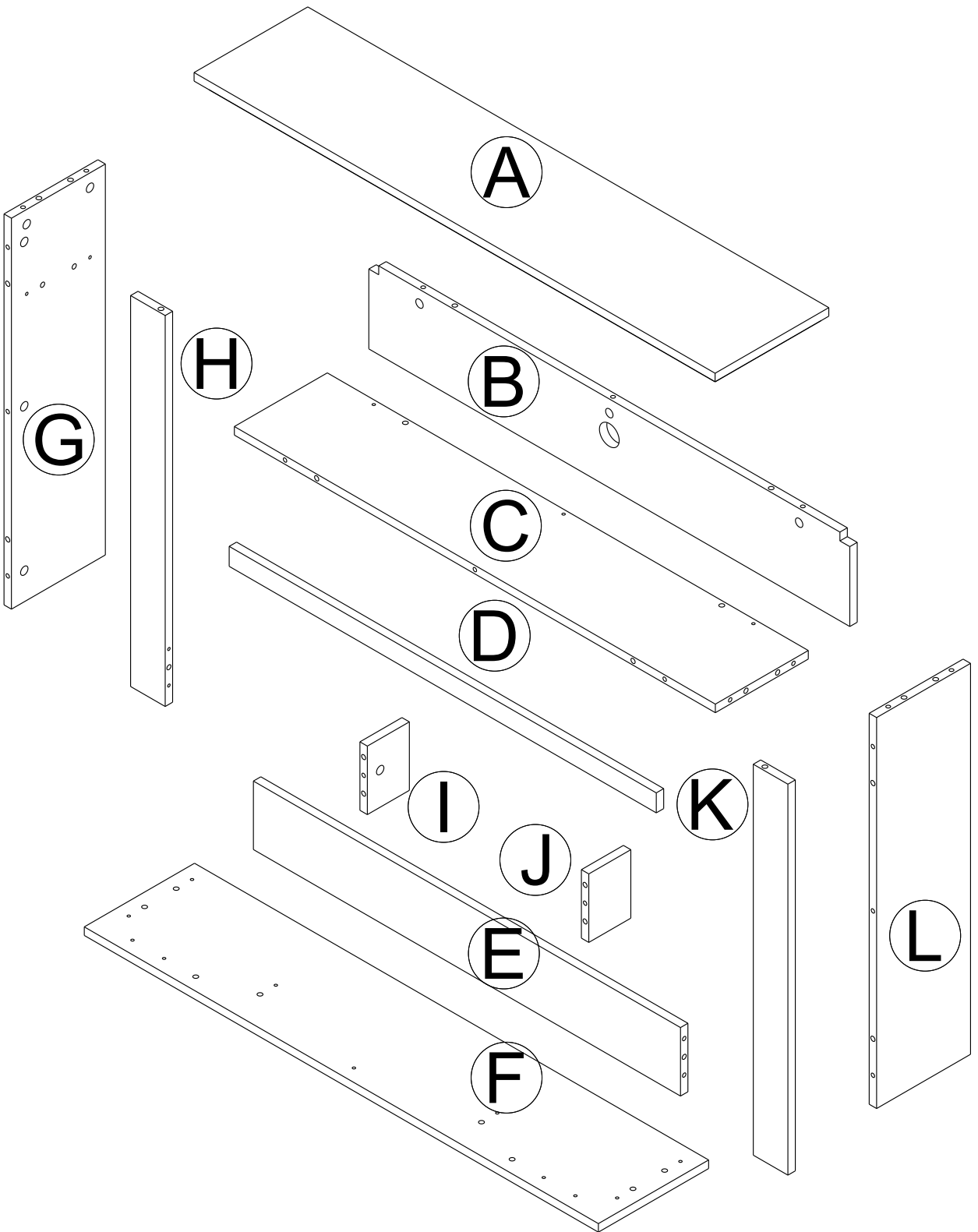


# FIREPLACE MANTEL

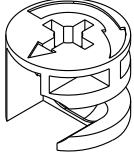
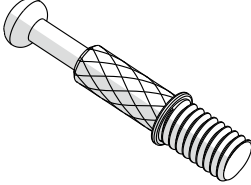
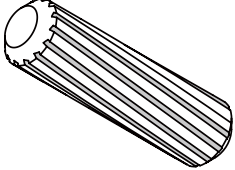
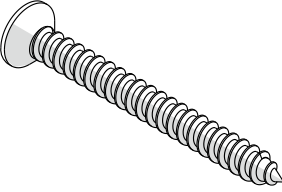

## ASSEMBLY INSTRUCTIONS



# PARTS LIST

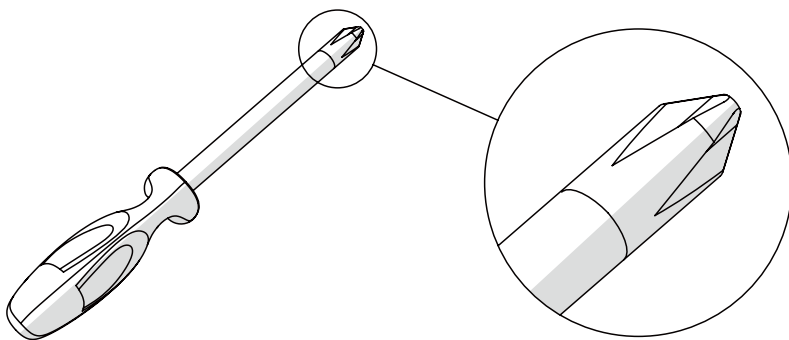


# ACCESSORIES

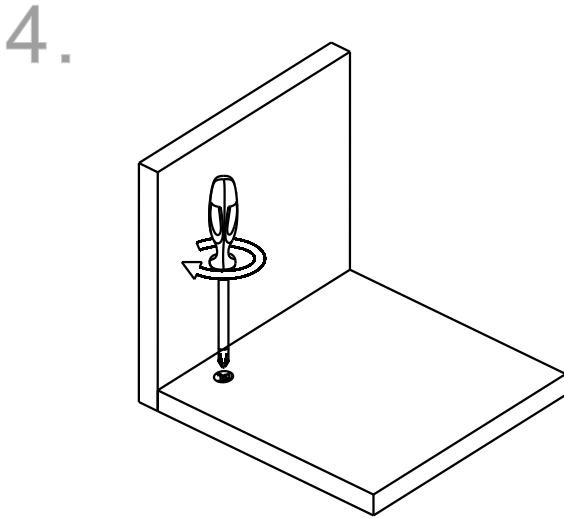
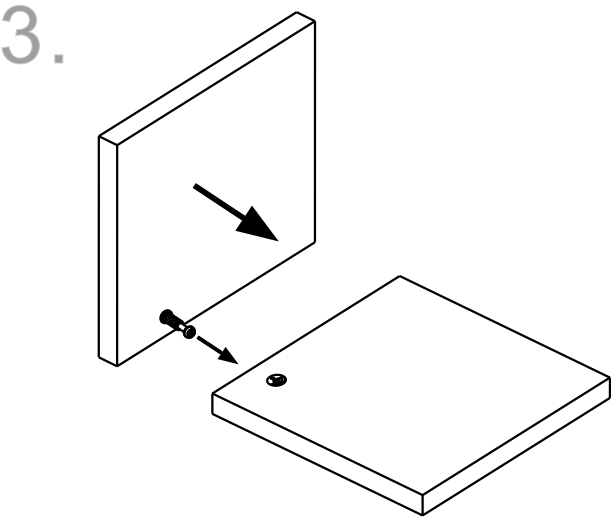
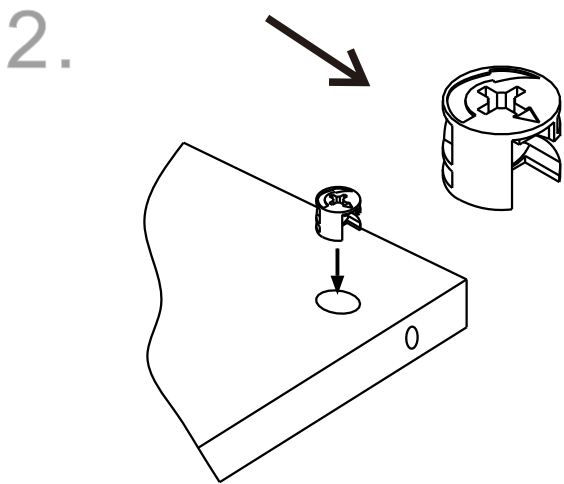
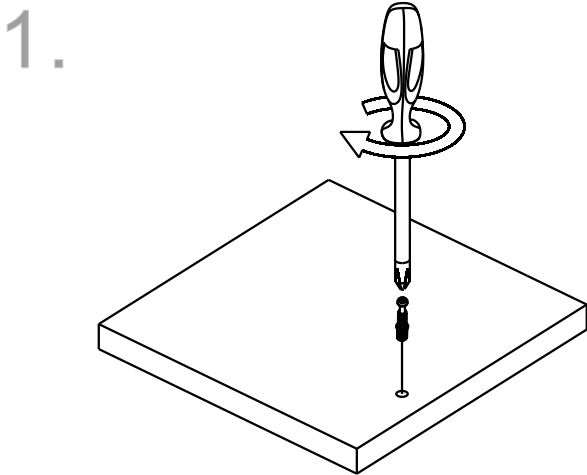
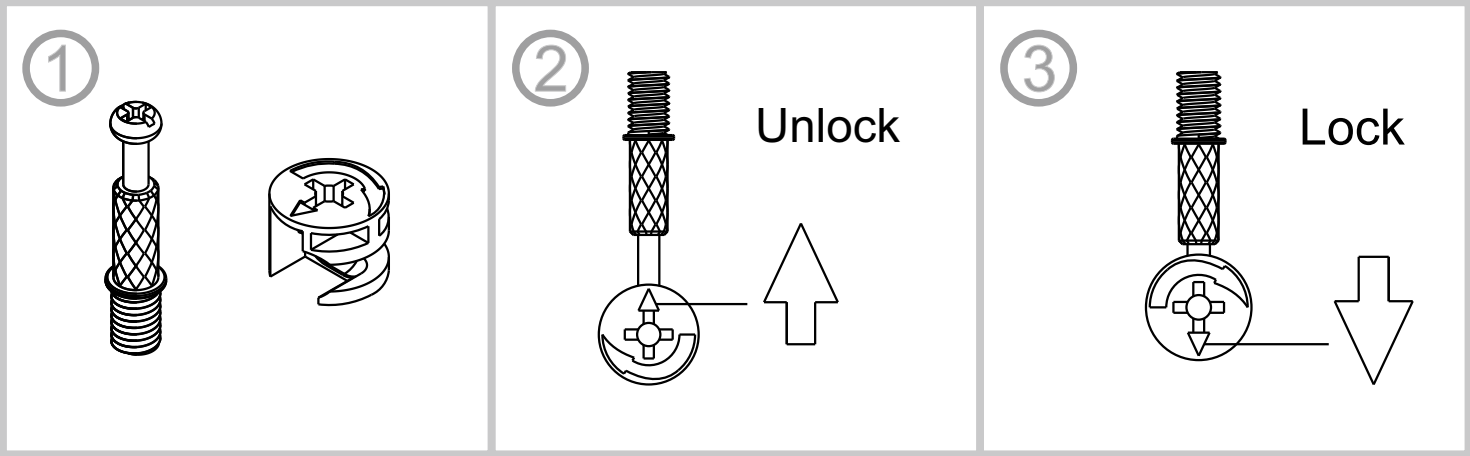
 <b>cam lock</b> <b>x26+1</b>	 <b>cam bolt</b> <b>x26+1</b>	 <b>wood dowel</b> <b>x32+1</b>
 <b>screw ST4x40</b> <b>x14+1</b>	 <b>pad</b> <b>x4+2</b>	

# TOOLS REQUIRED

A screwdriver will be needed



# CAM LOCK FASTENING SYSTEM

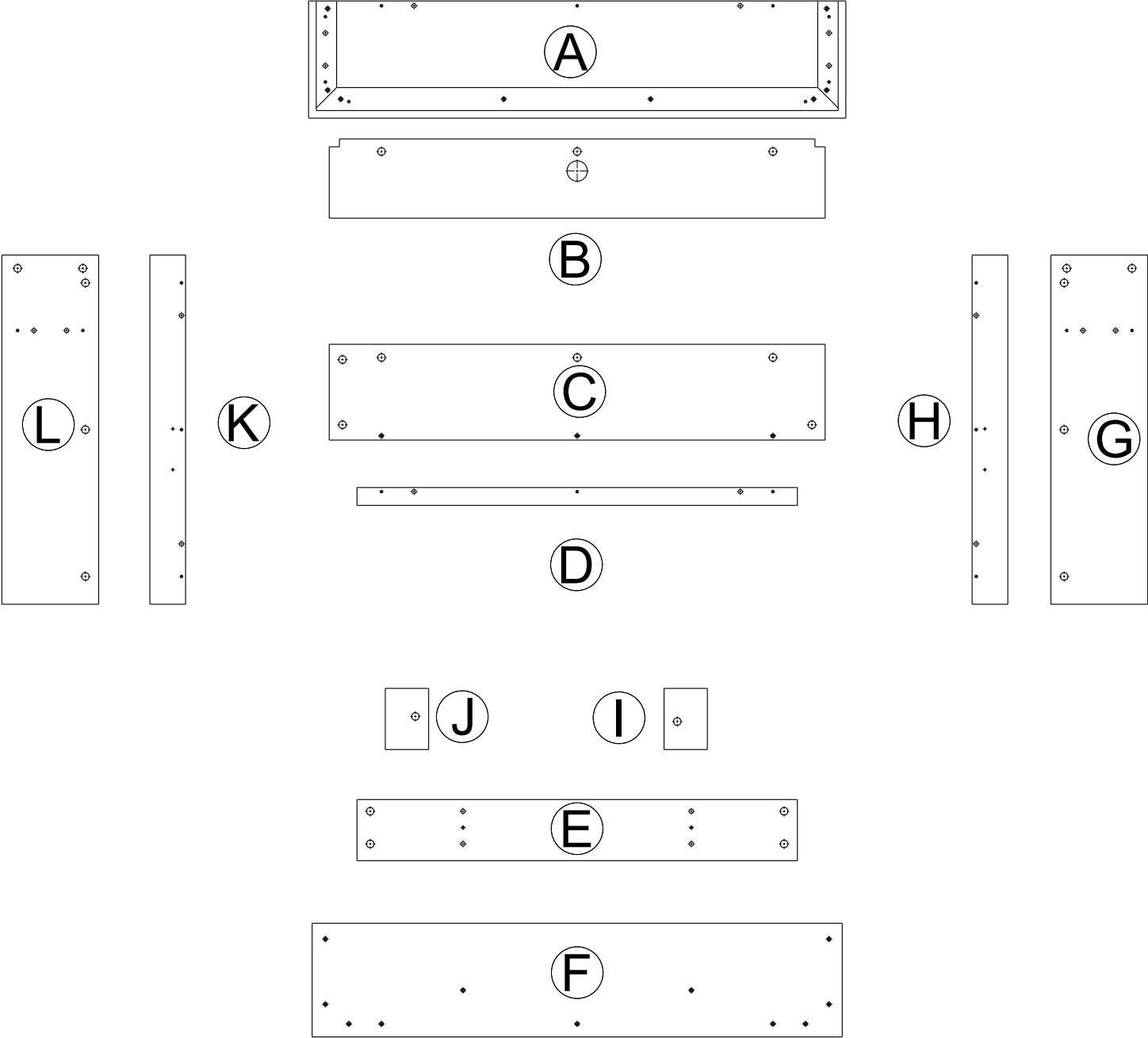


This cam lock fastening system will be used throughout the assembly process.

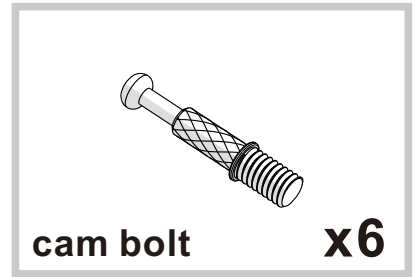
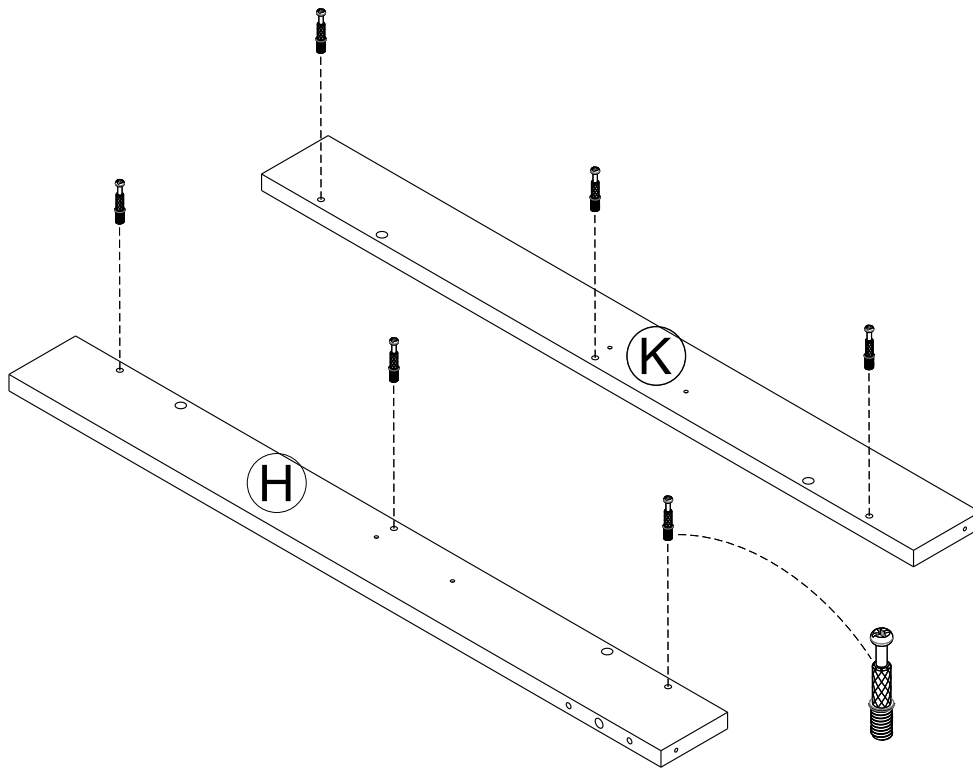
# ASSEMBLY INSTRUCTIONS

## STEP 1

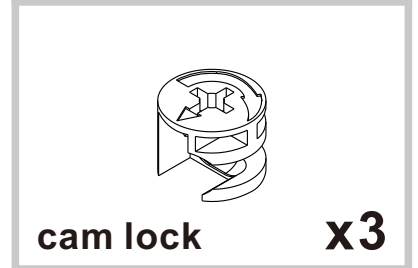
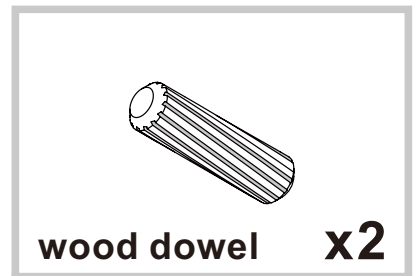
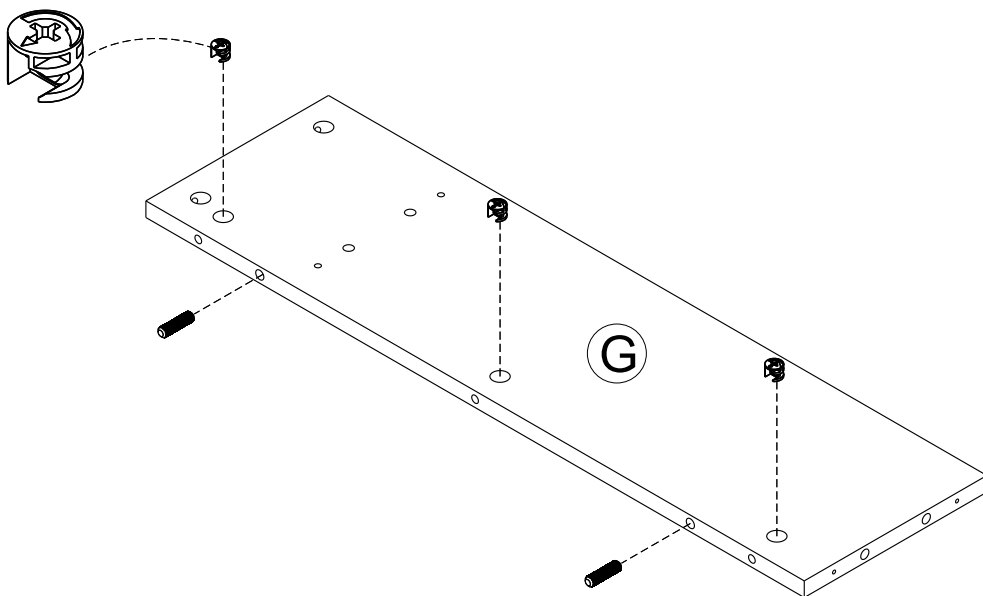
Take out all the parts, as shown on the floor. Please pay attention to protect the board surface.



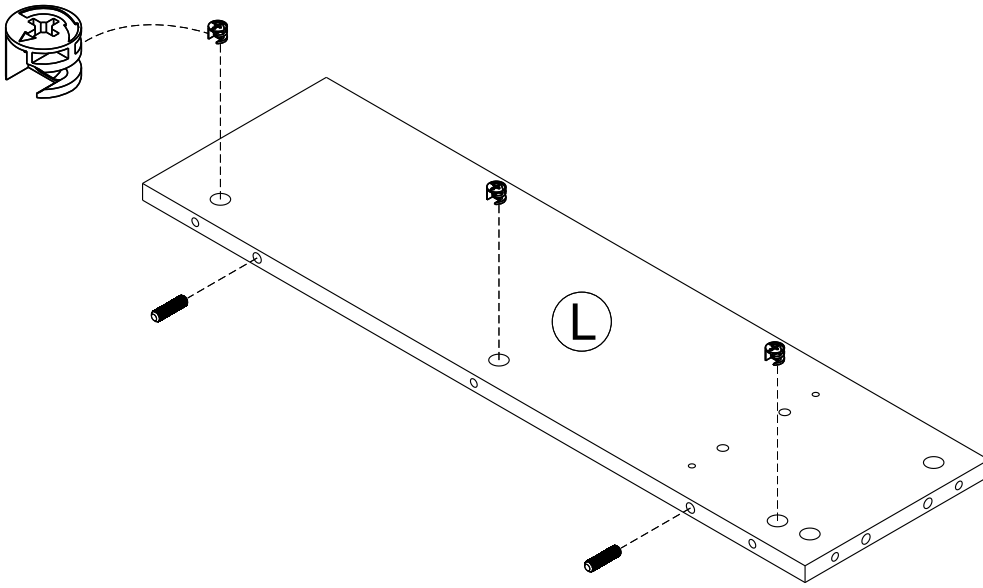
## STEP 2

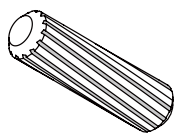
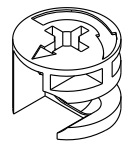


## STEP 3

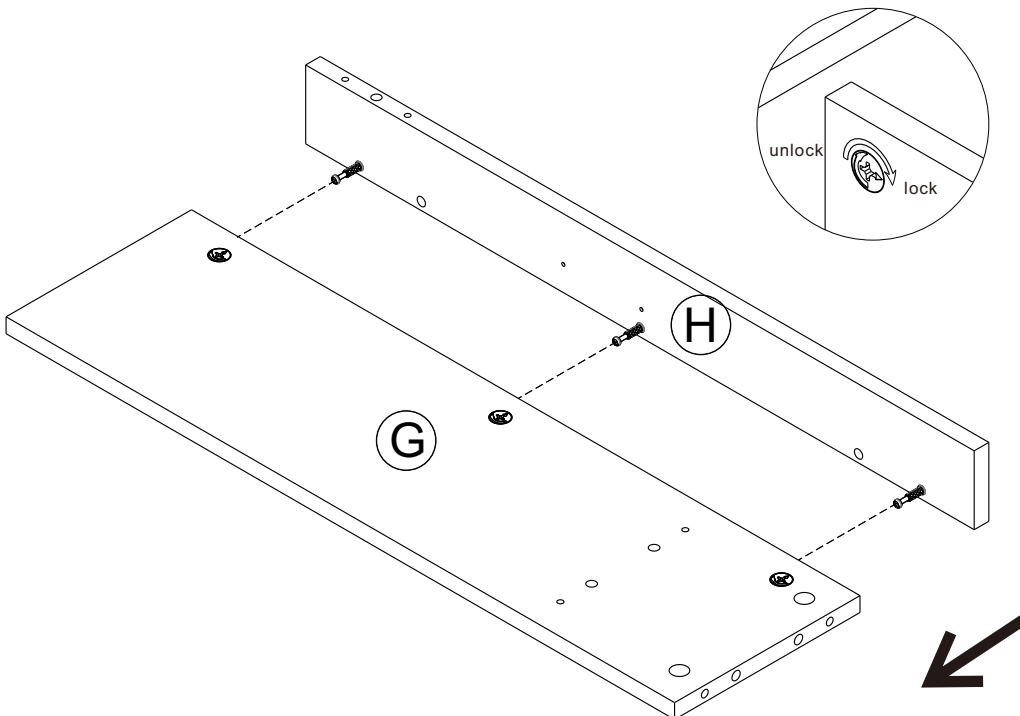


# STEP 4

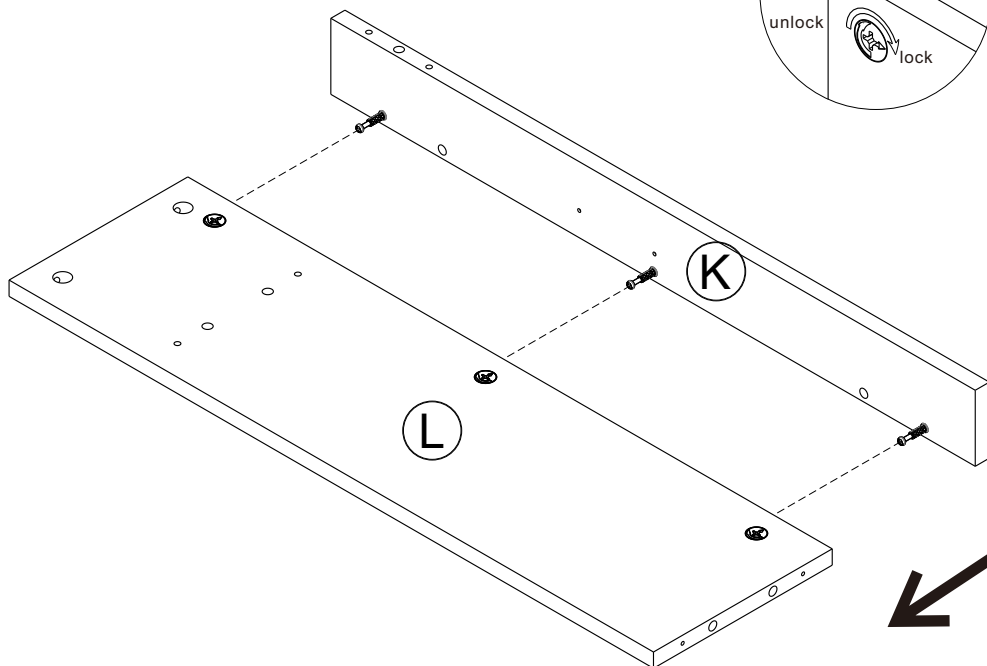
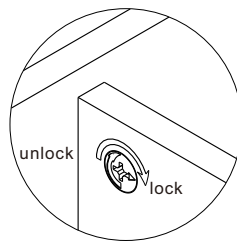


	<b>wood dowel</b>	<b>x2</b>
	<b>cam lock</b>	<b>x3</b>

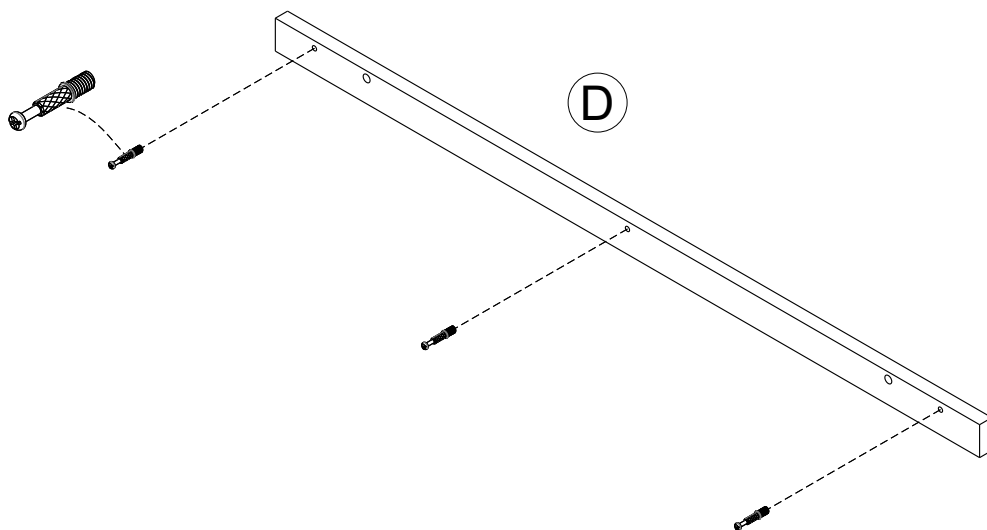
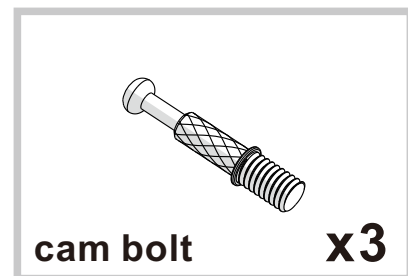
# STEP 5



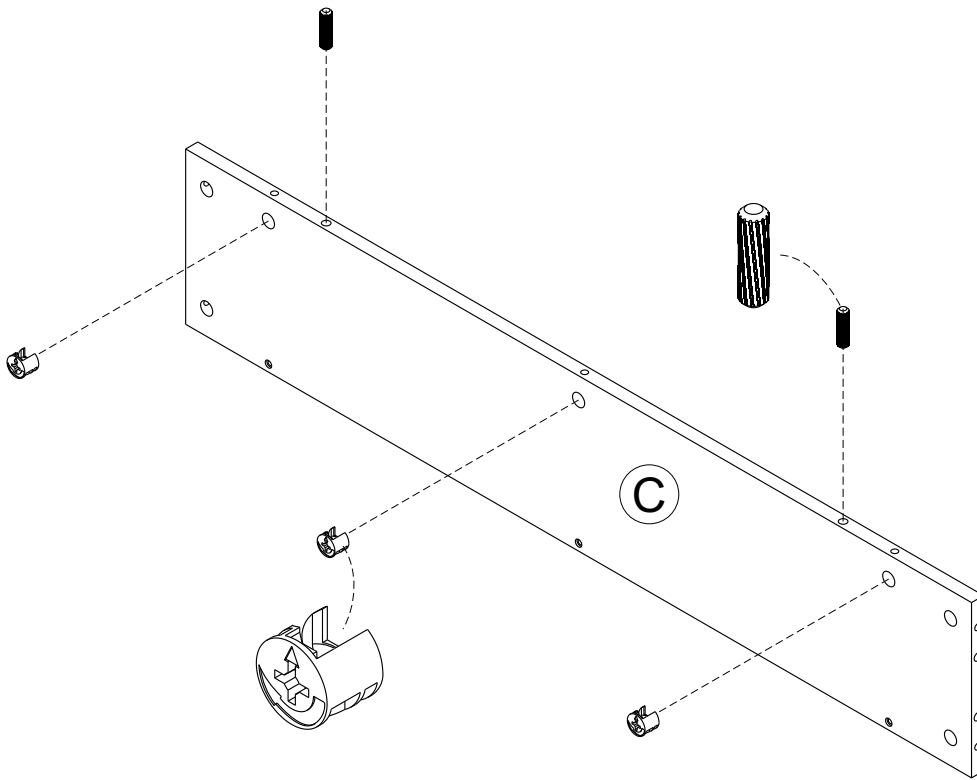
# STEP 6

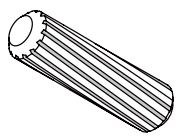
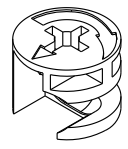


# STEP 7

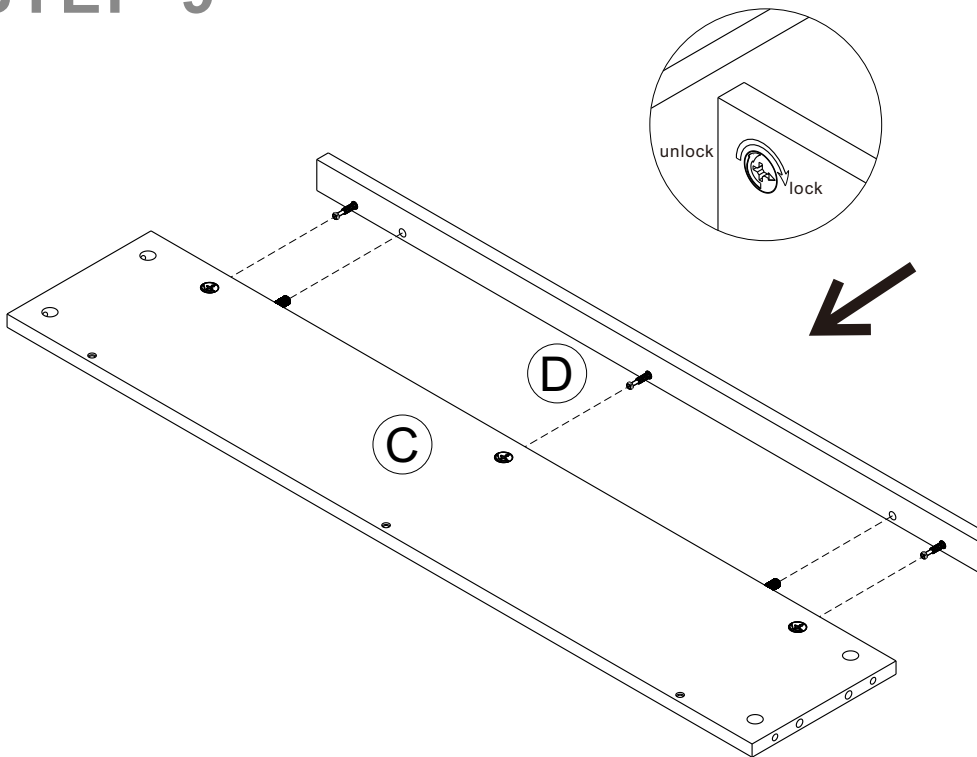


# STEP 8

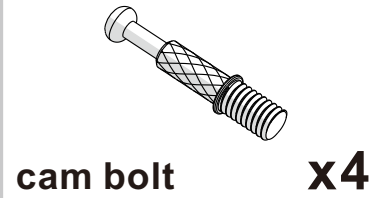
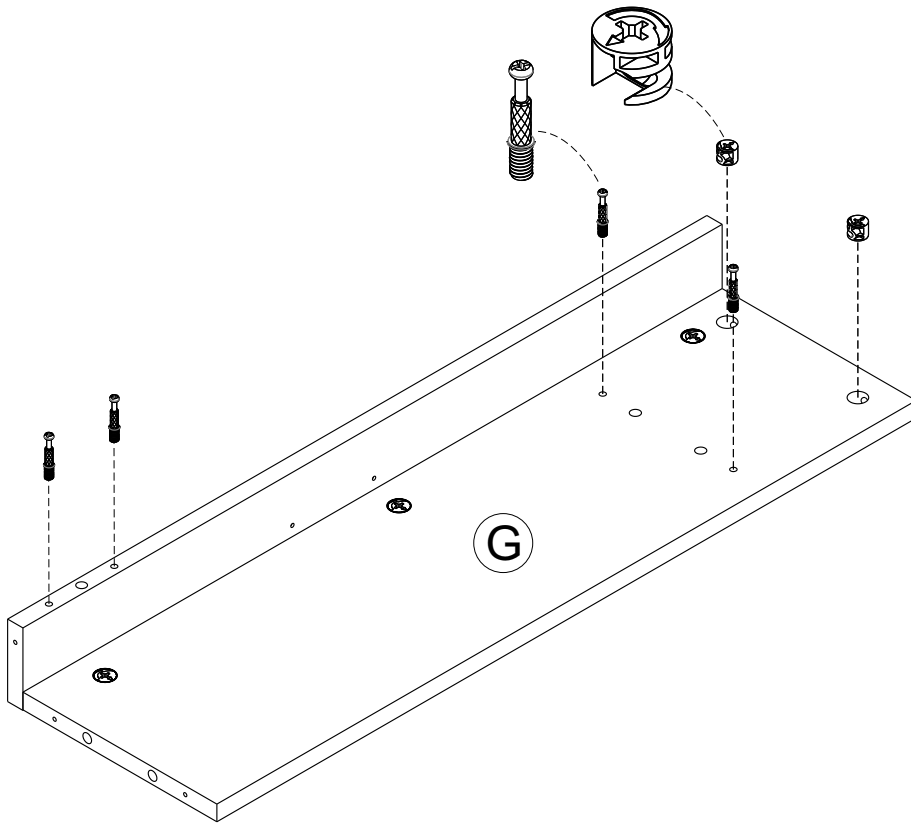


	<b>wood dowel</b>	<b>x2</b>
	<b>cam lock</b>	<b>x3</b>

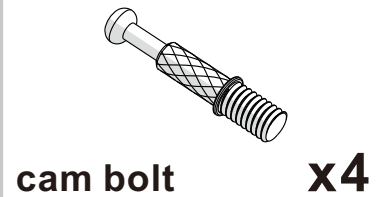
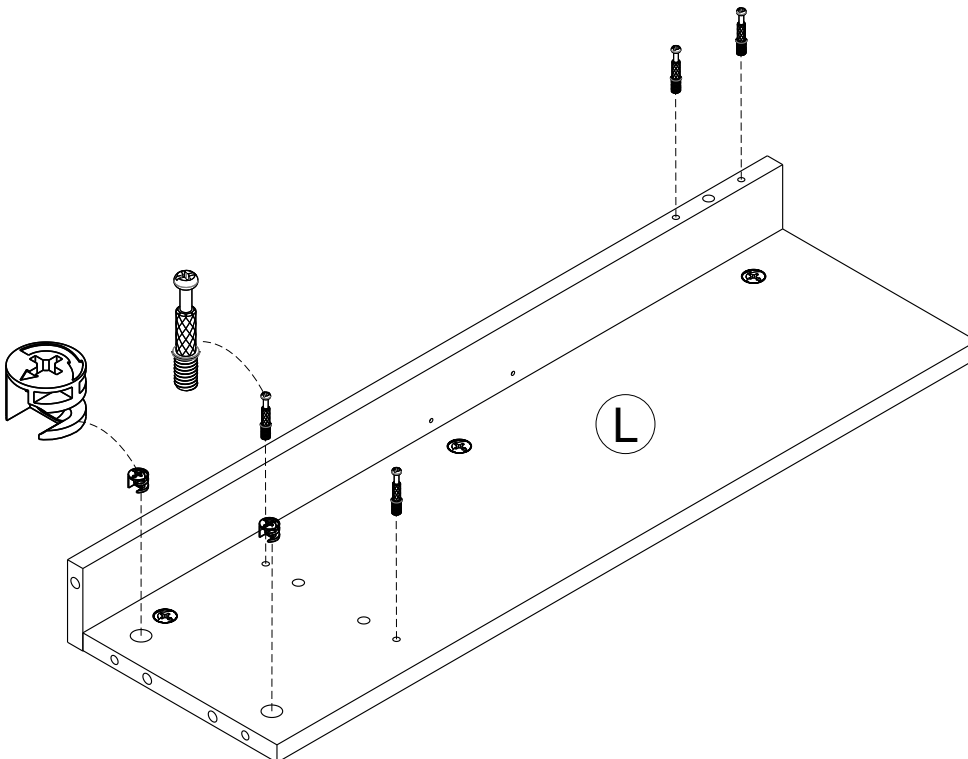
# STEP 9



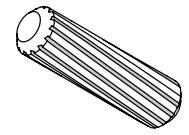
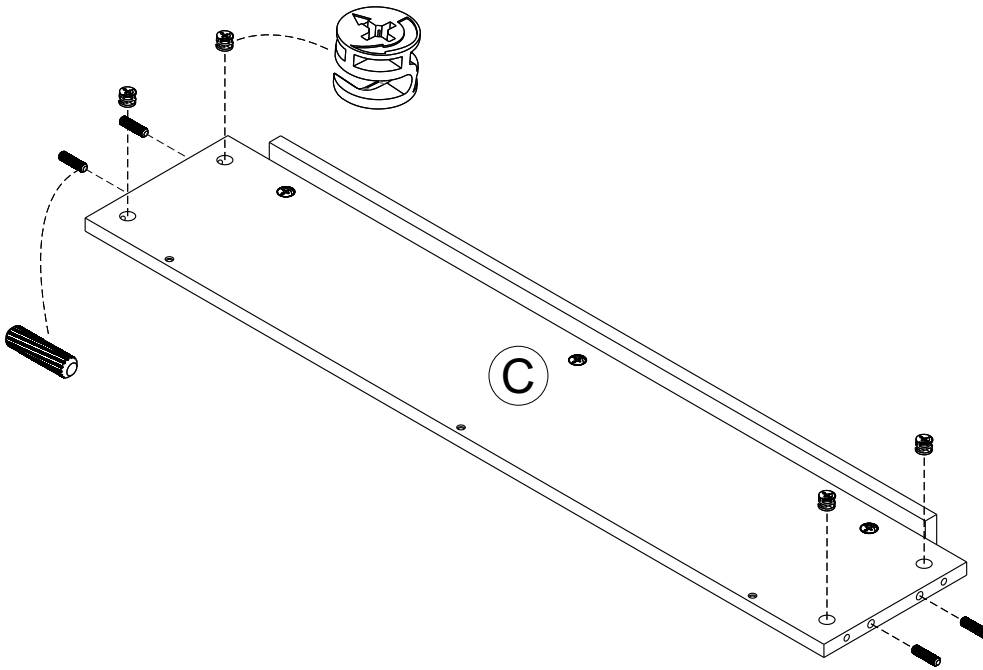
# STEP 10



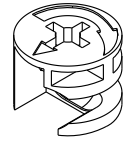
# STEP 11



# STEP 12

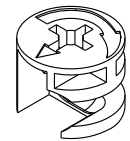
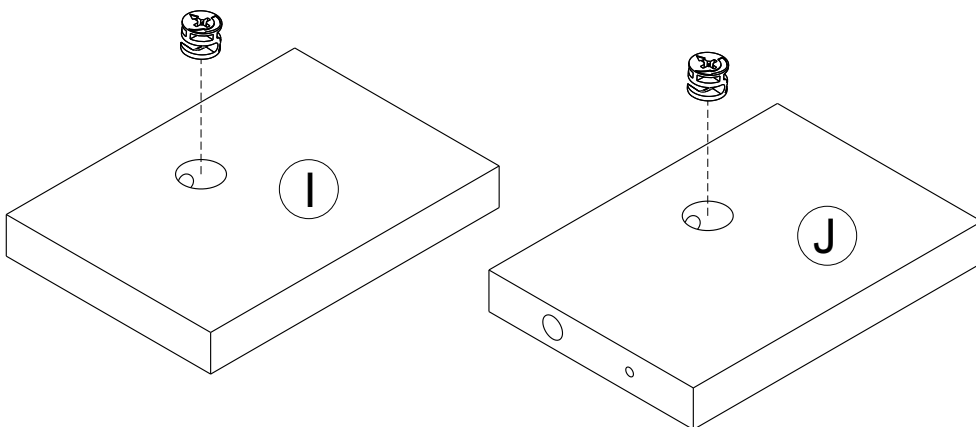


wood dowel **x4**



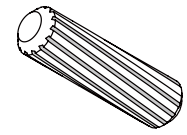
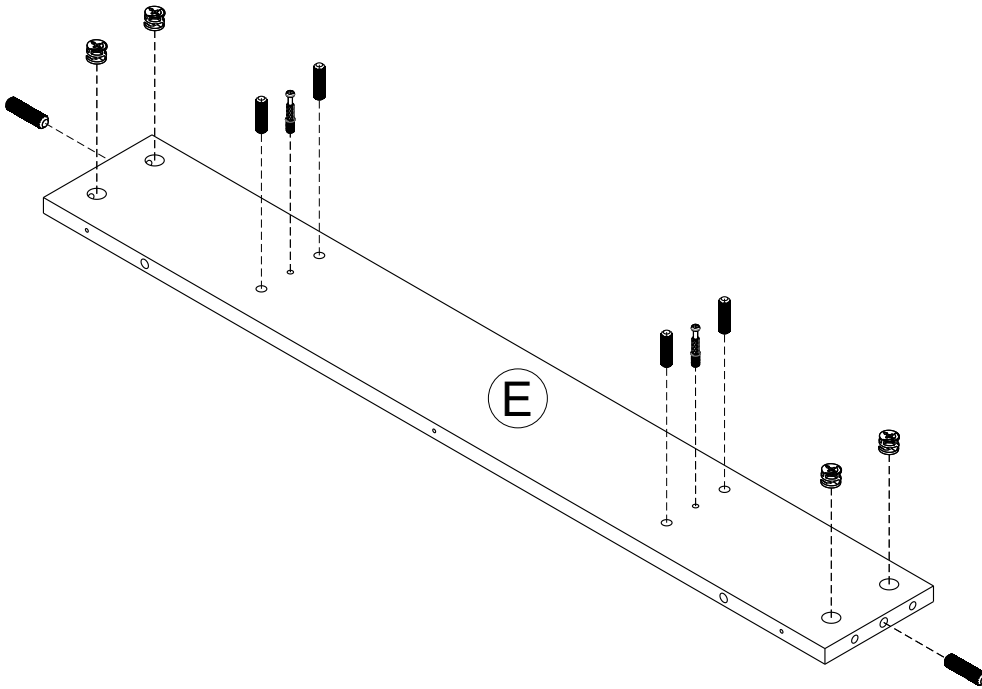
cam lock **x4**

# STEP 13

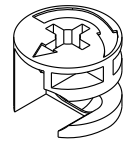


cam lock **x2**

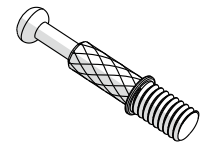
# STEP 14



wood dowel **x6**

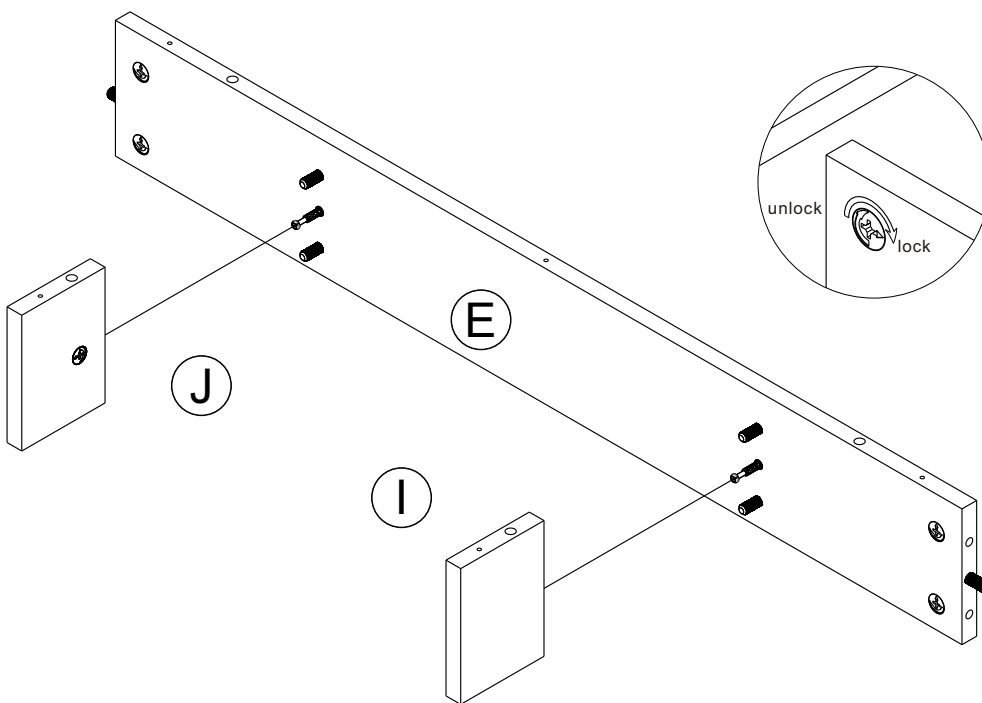


cam lock **x4**

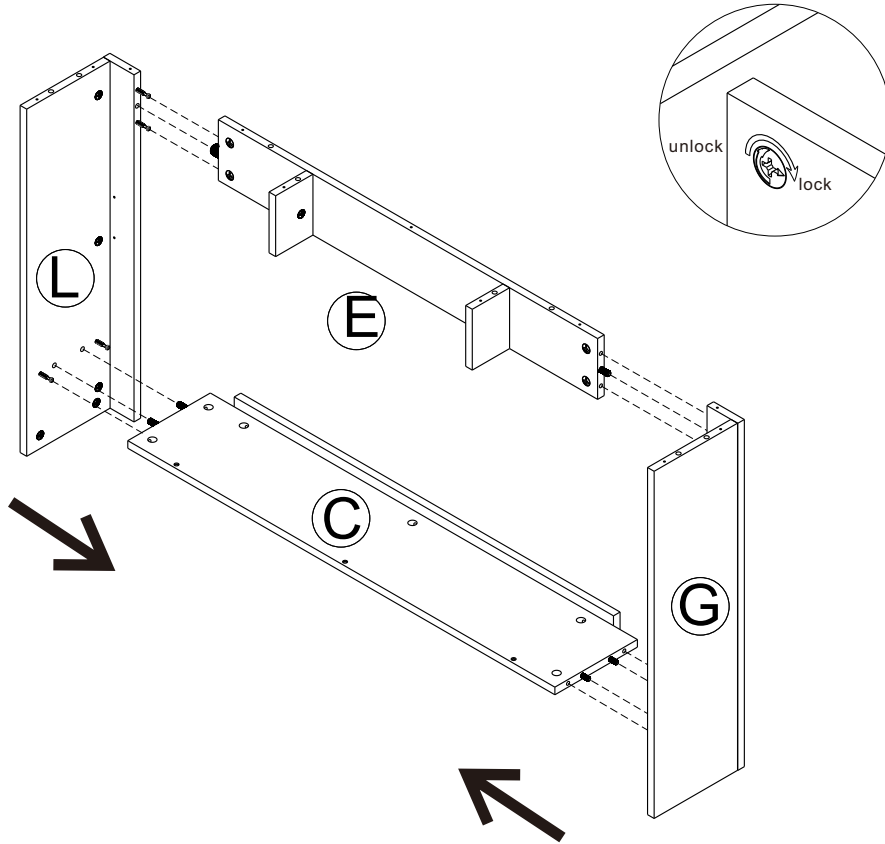


cam bolt **x2**

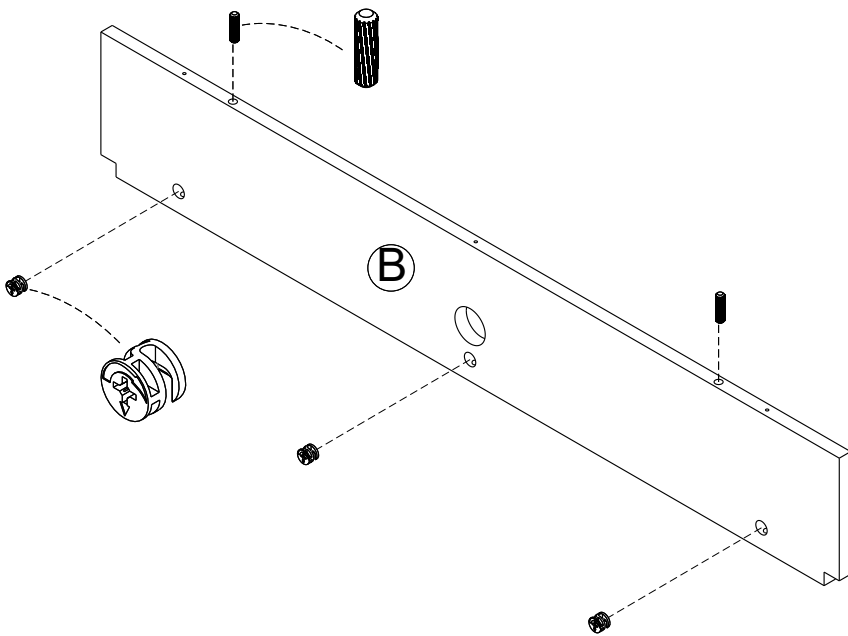
# STEP 15




# STEP 16

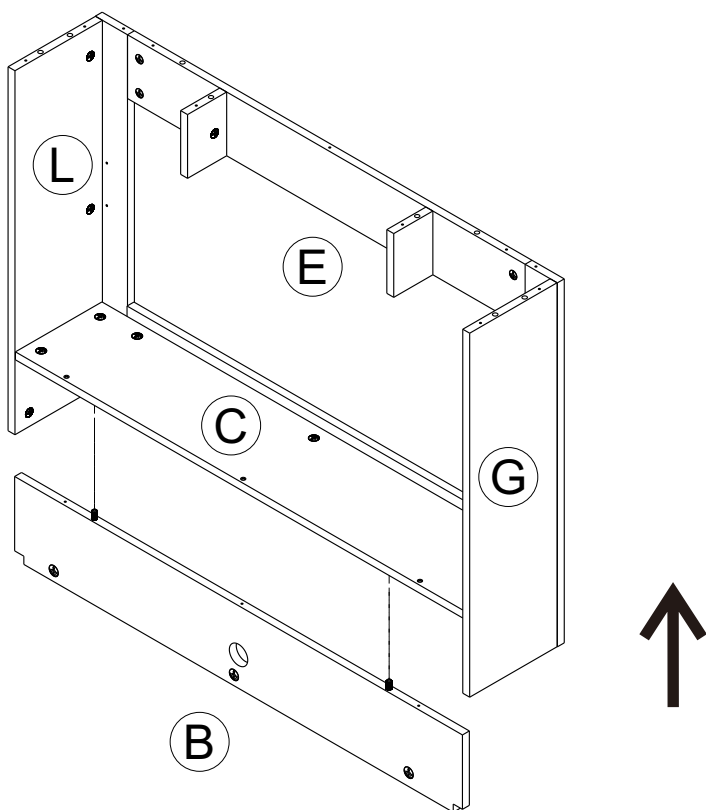


# STEP 17

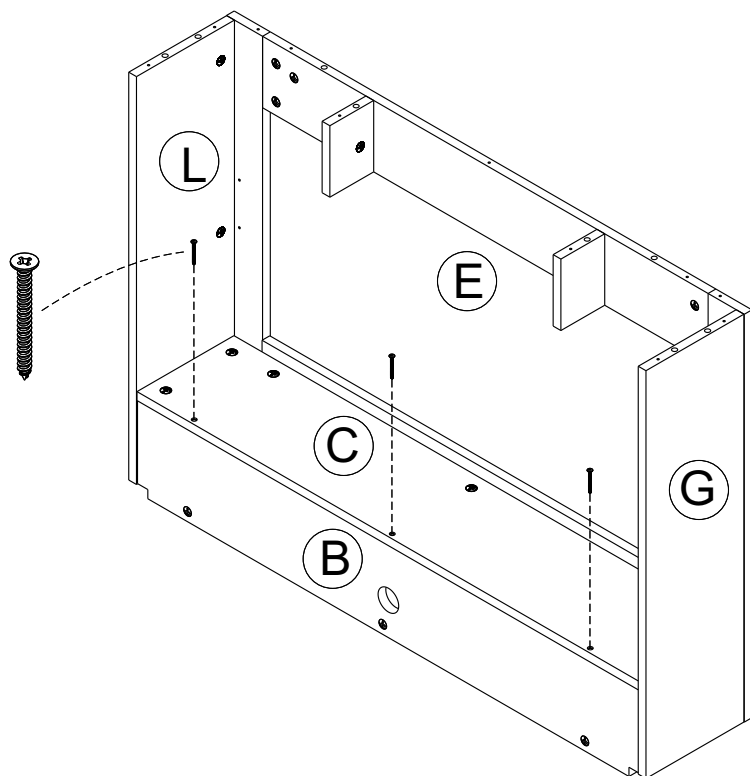


	<b>wood dowel</b>	<b>x2</b>
	<b>cam lock</b>	<b>x3</b>

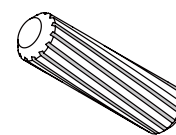
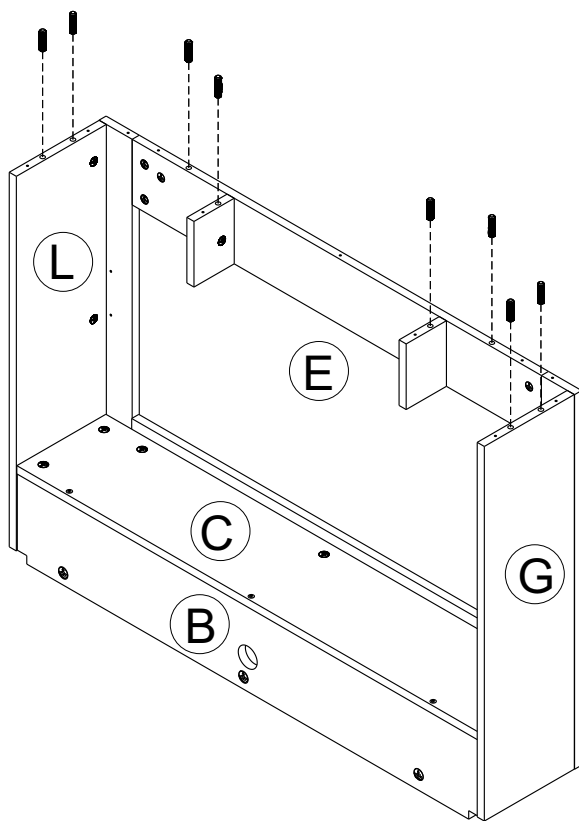
# STEP 18



# STEP 19

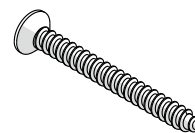
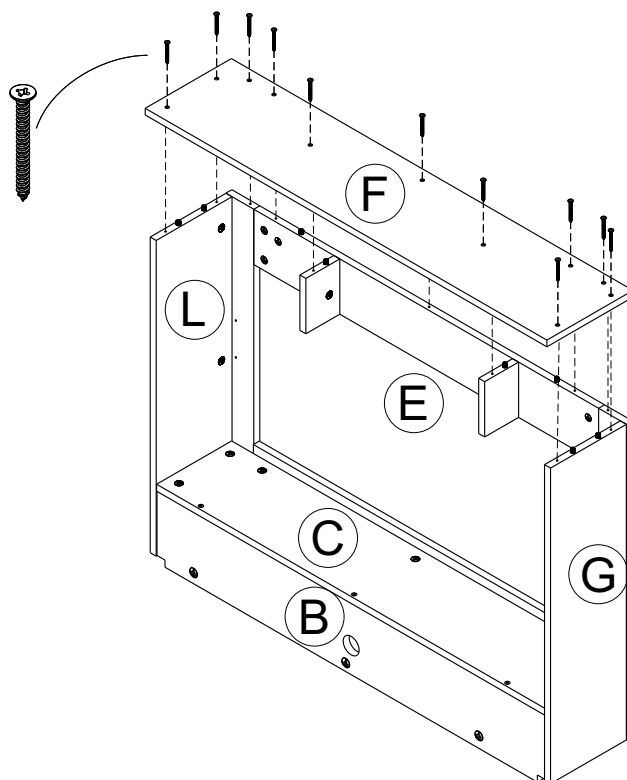


## STEP 20



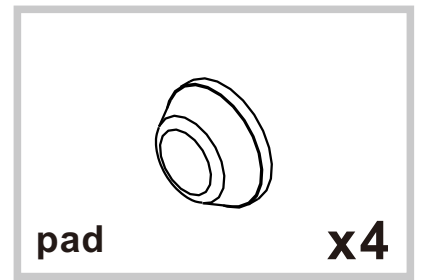
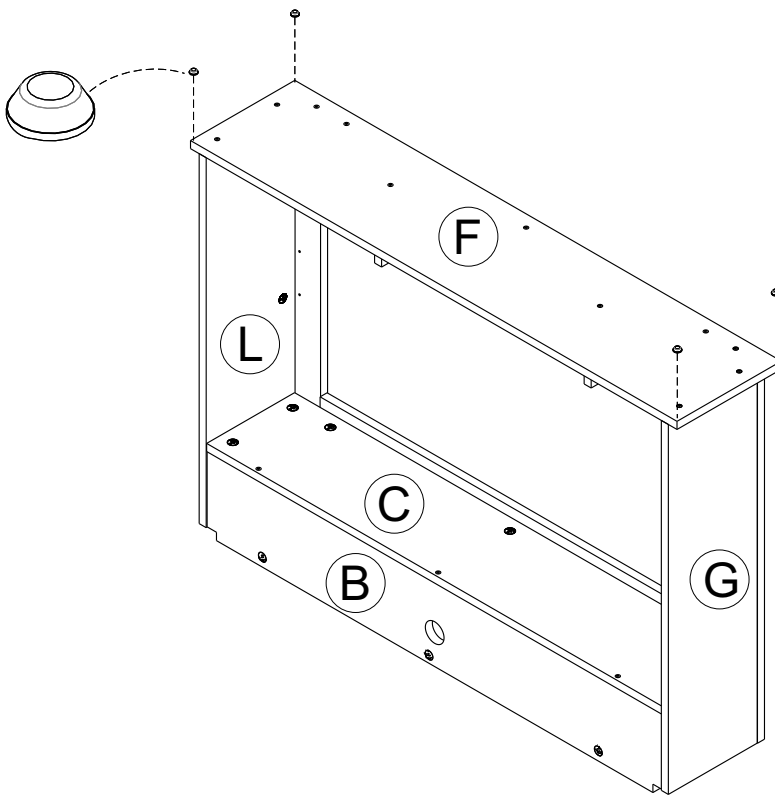
wood dowel **x8**

## STEP 21

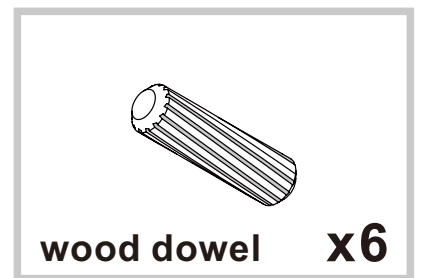
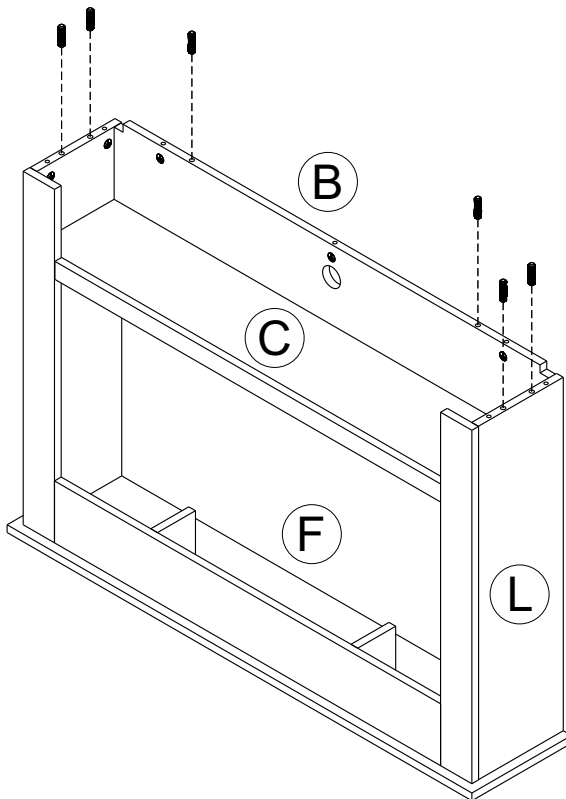


screw ST4x40 **x11**

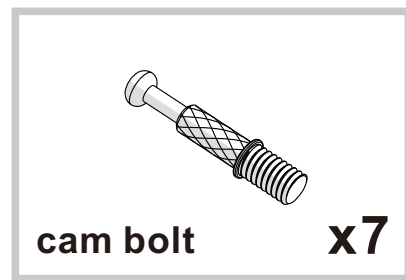
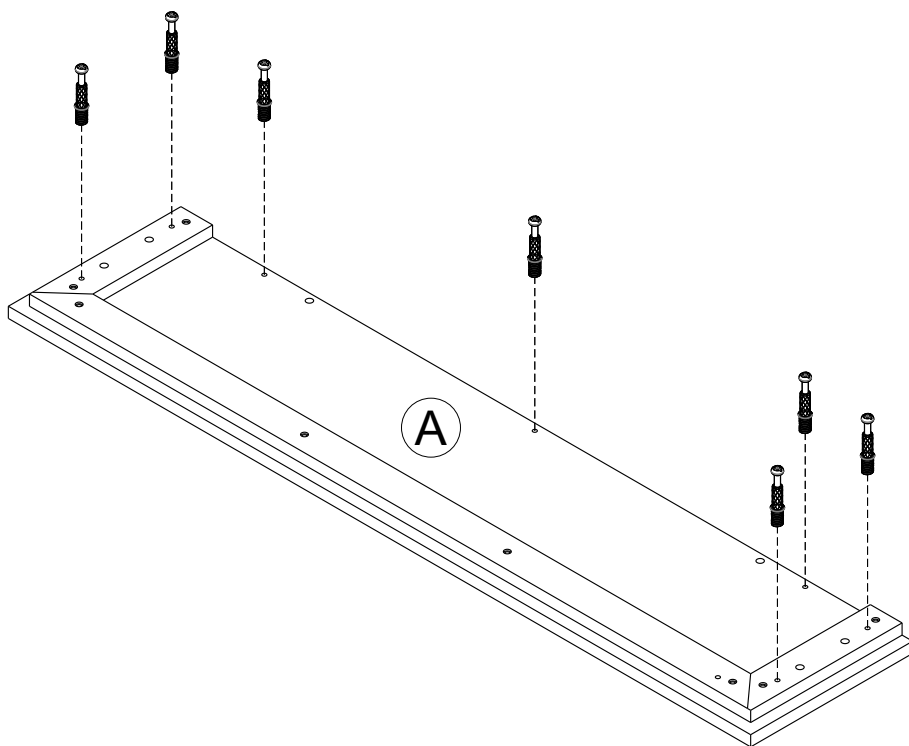
# STEP 22



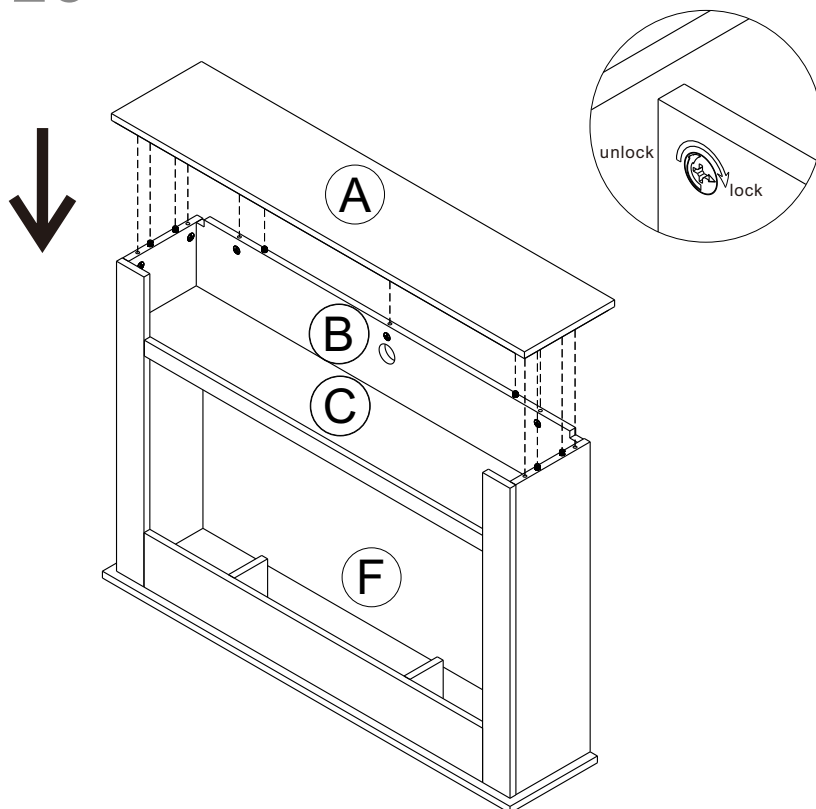
# STEP 23



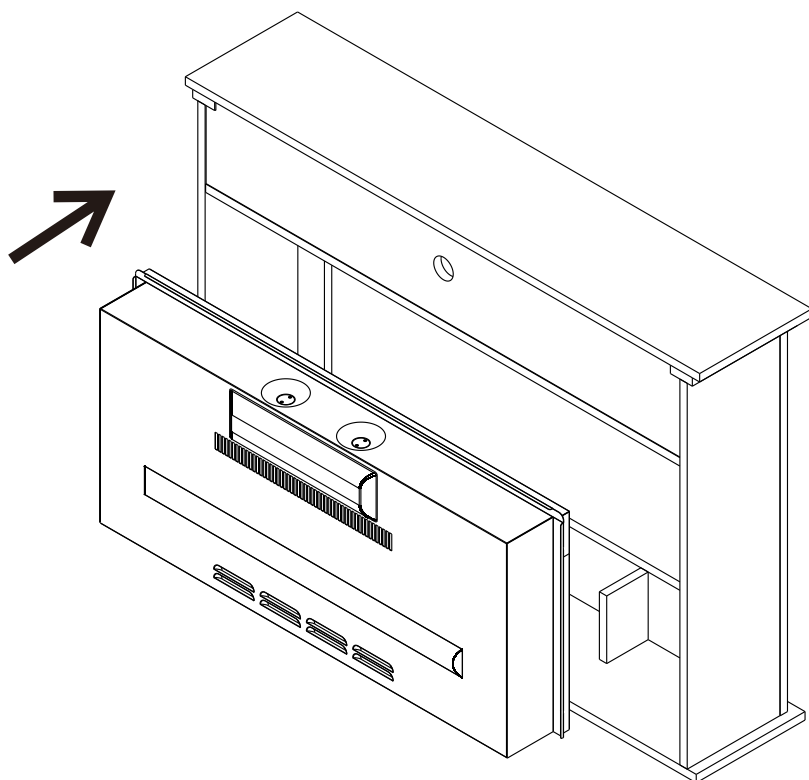
# STEP 24



# STEP 25

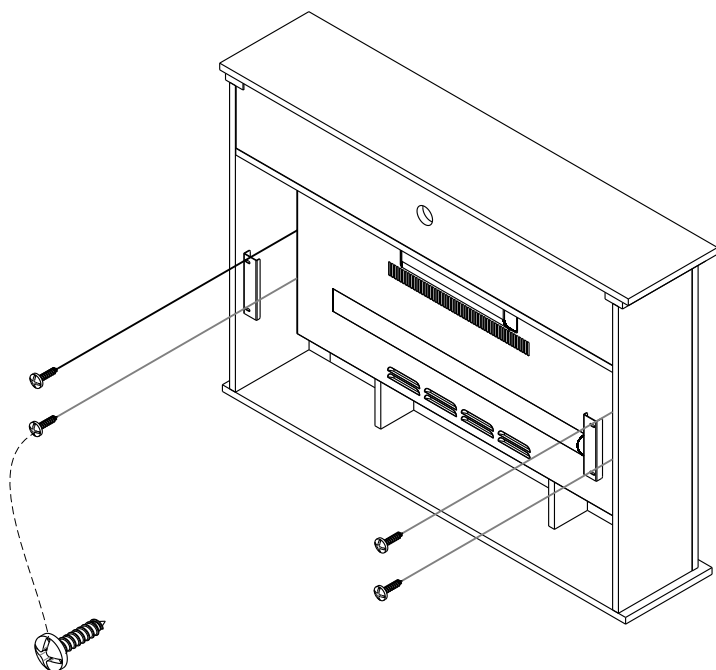


## STEP 26



## STEP 27

Fix the fireplace to the mantel with two brackets and four ST3.5x12mm screws packed with the firebox.



# STEP 28

The assembly is completed now.

