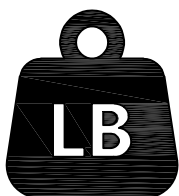


NOTE:

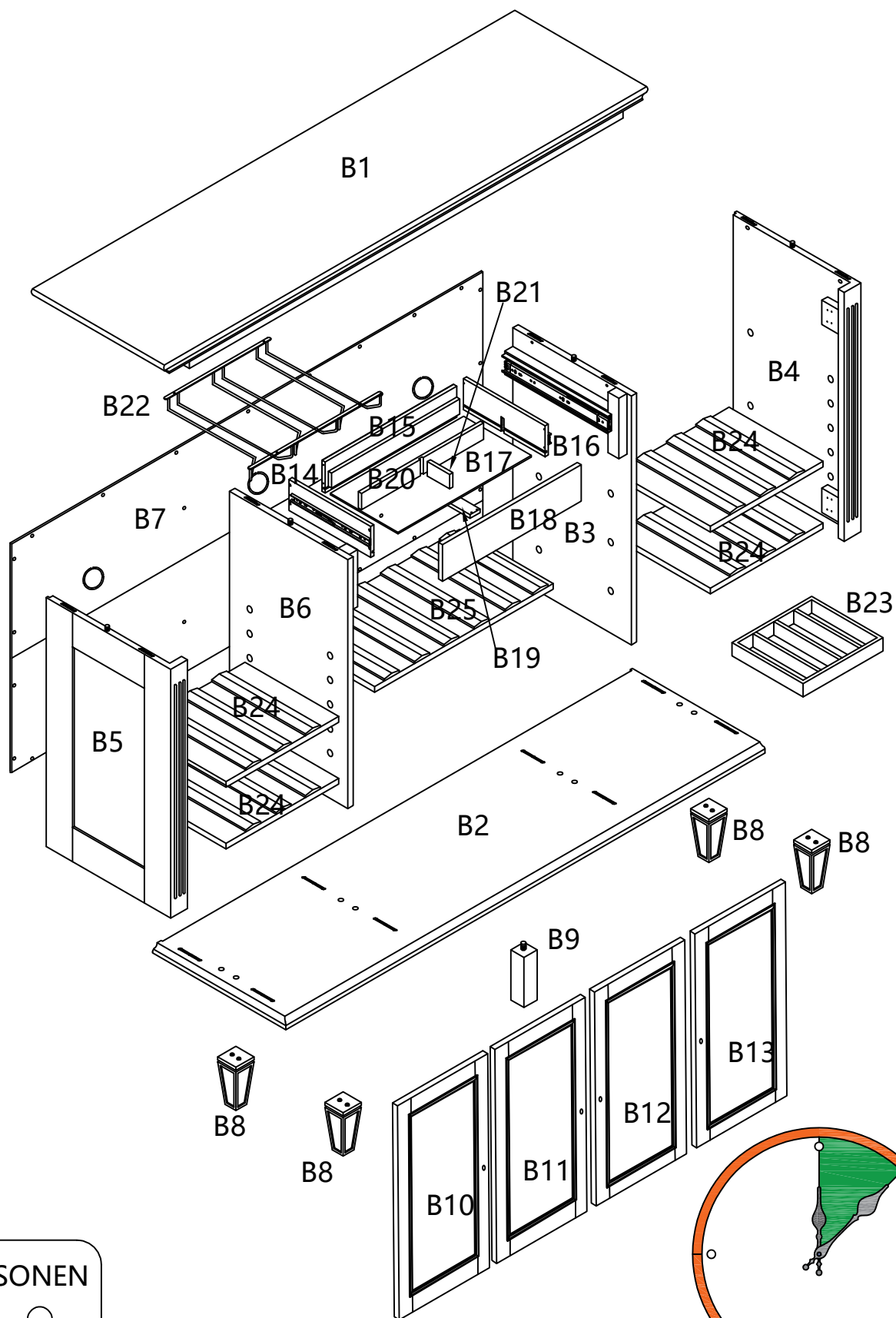
This brochure contains IMPORTANT safety info. Please read and keep for future reference.

MAINTAINANCE AND WARNING

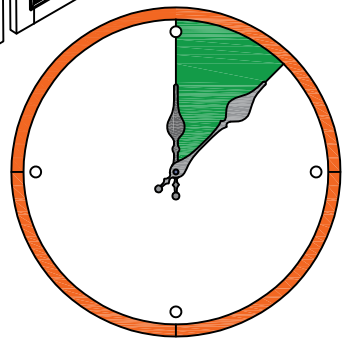
- 1.Keep furniture away from heat sources.
- 2.Do not clean furniture with harsh cleaner or polishes.Do not use detergents,solvents,abrasives,spray packs or leather cleaner. Use non-color mild soap with warm water to clean spills(Mix 1:10 soap to water).
- 3.Do not place furniture under direct sunlight,material will possibly fade over time.
- 4.Do not use on site dry cleaning machine.Children should not climb or jump on the furniture.
- 5.Do not write on furniture that is not protectedby a padded barrier.
- 6.Not for commercial use,only for residential use.



Weight Limitation
150 LBS

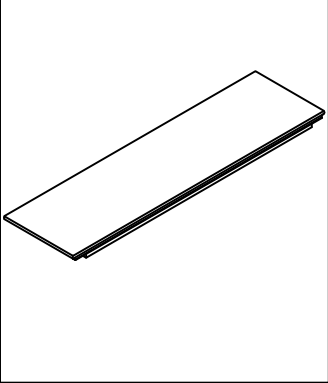
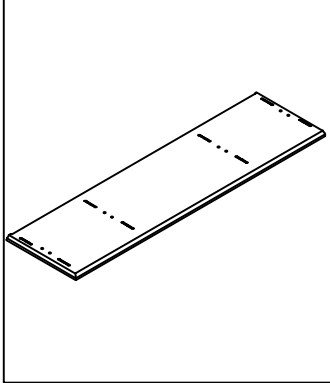
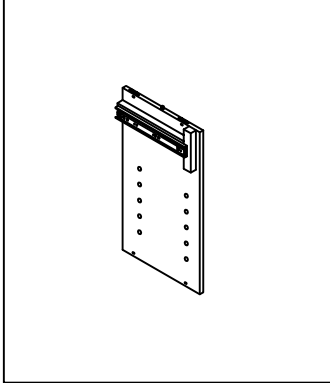
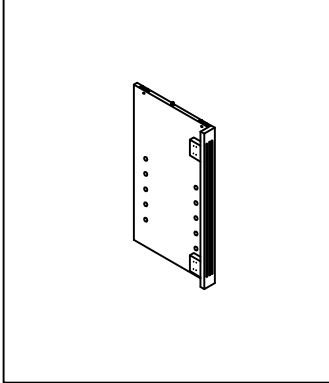
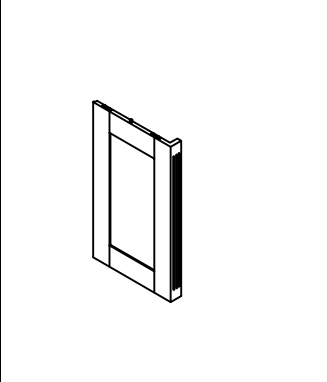
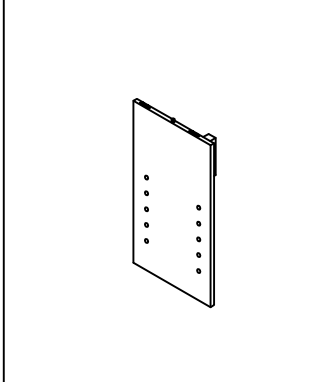
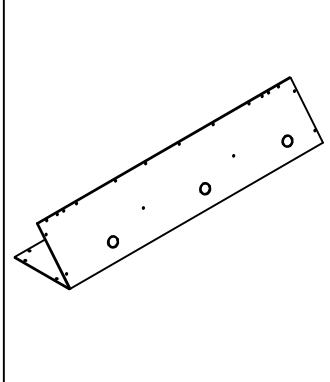
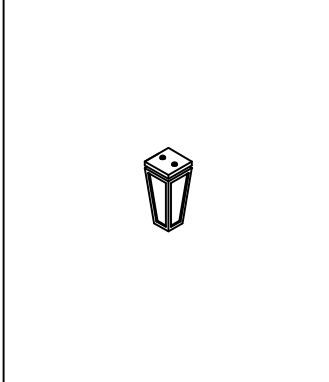
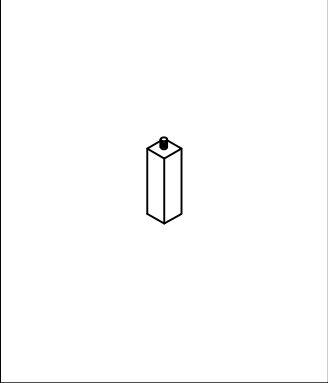
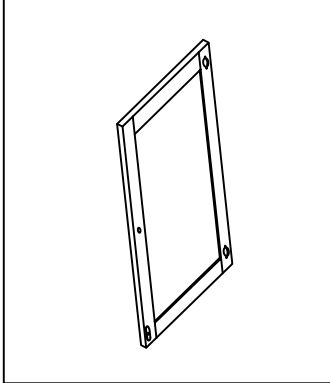
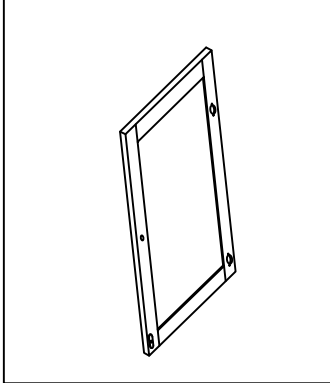
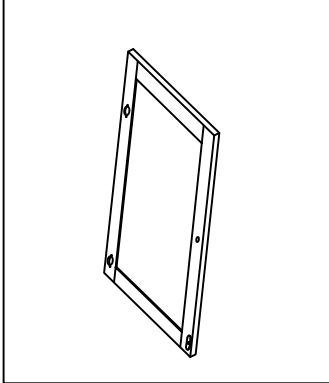
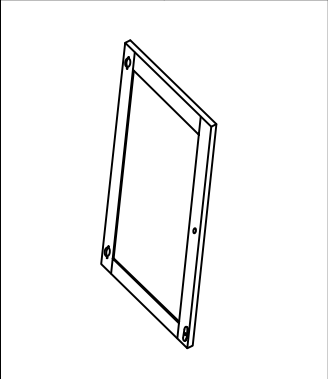
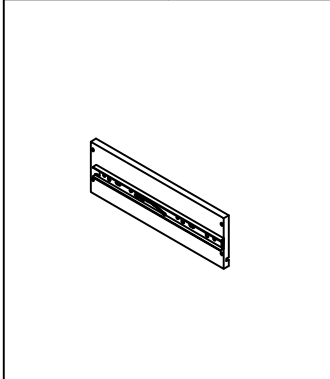
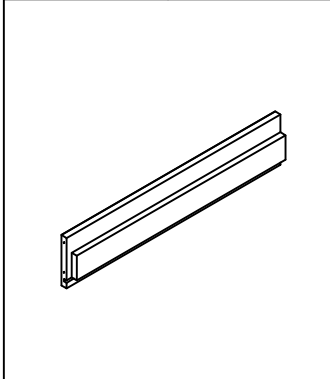
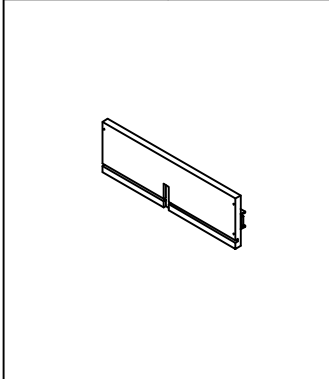


2 PERSONEN

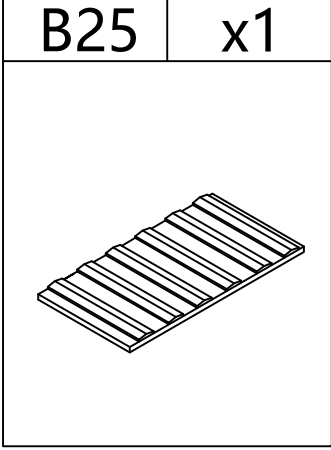
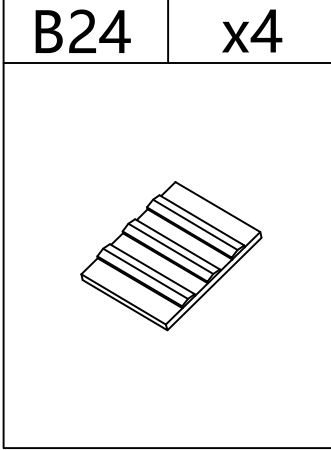
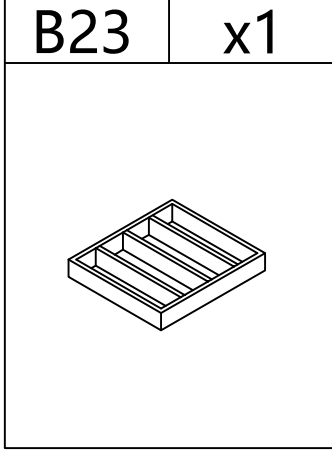
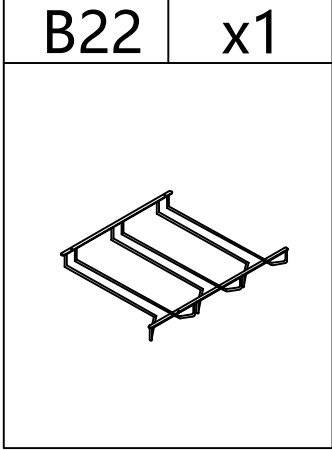
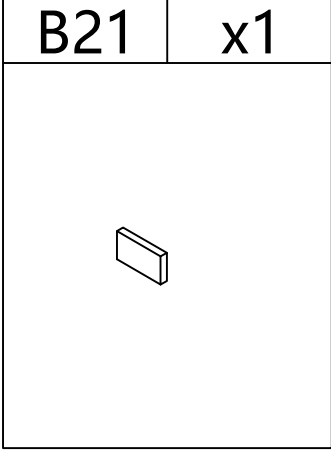
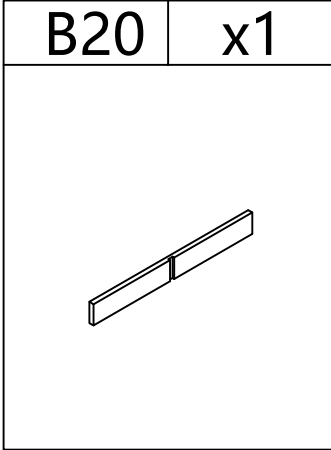
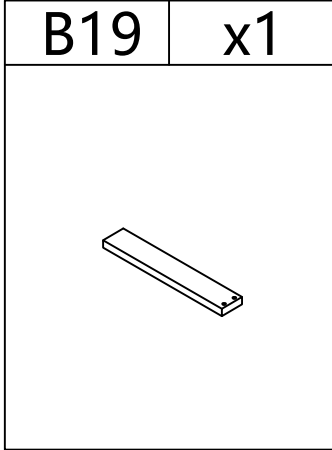
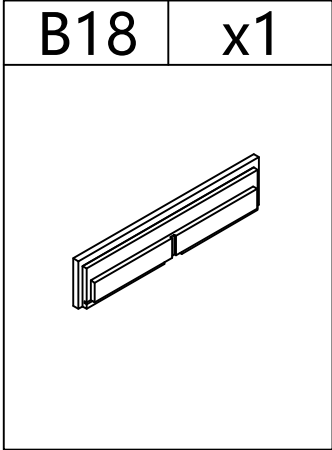
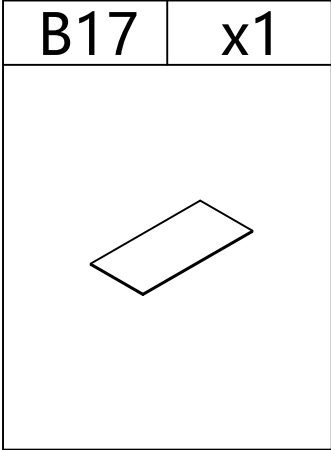


Around 100min

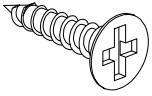




PARTS LIST



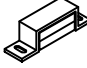
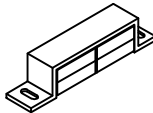
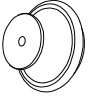
B1	x1	B2	x1	B3	x1	B4	x1
							
B5	x1	B6	x1	B7	x1	B8	x4
							
B9	x1	B10	x1	B11	x1	B12	x1
							
B13	x1	B14	x1	B15	x1	B16	x1
							



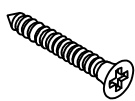
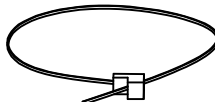
PARTS LIST

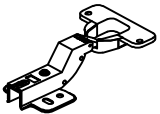
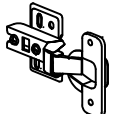


HARDWARE LIST

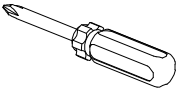
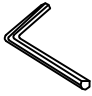
1	x54	2	x8	3	x34	4	x4	5	x4
									
φ4*15mm		φ1/4"*58mm		φ3*15mm		φ3*20mm			

6	x20	7	x12	8	x2	17	x1	10	x4
									
		φ4*25mm							






11	x4	12	x4	13	x4	14	x2
							
φ5/32"*18mm				φ4"*38mm		φ4"*38mm	

18	x4	19	x4
			

TOOL LIST

15	x1	16	x1
			
		1/4"	

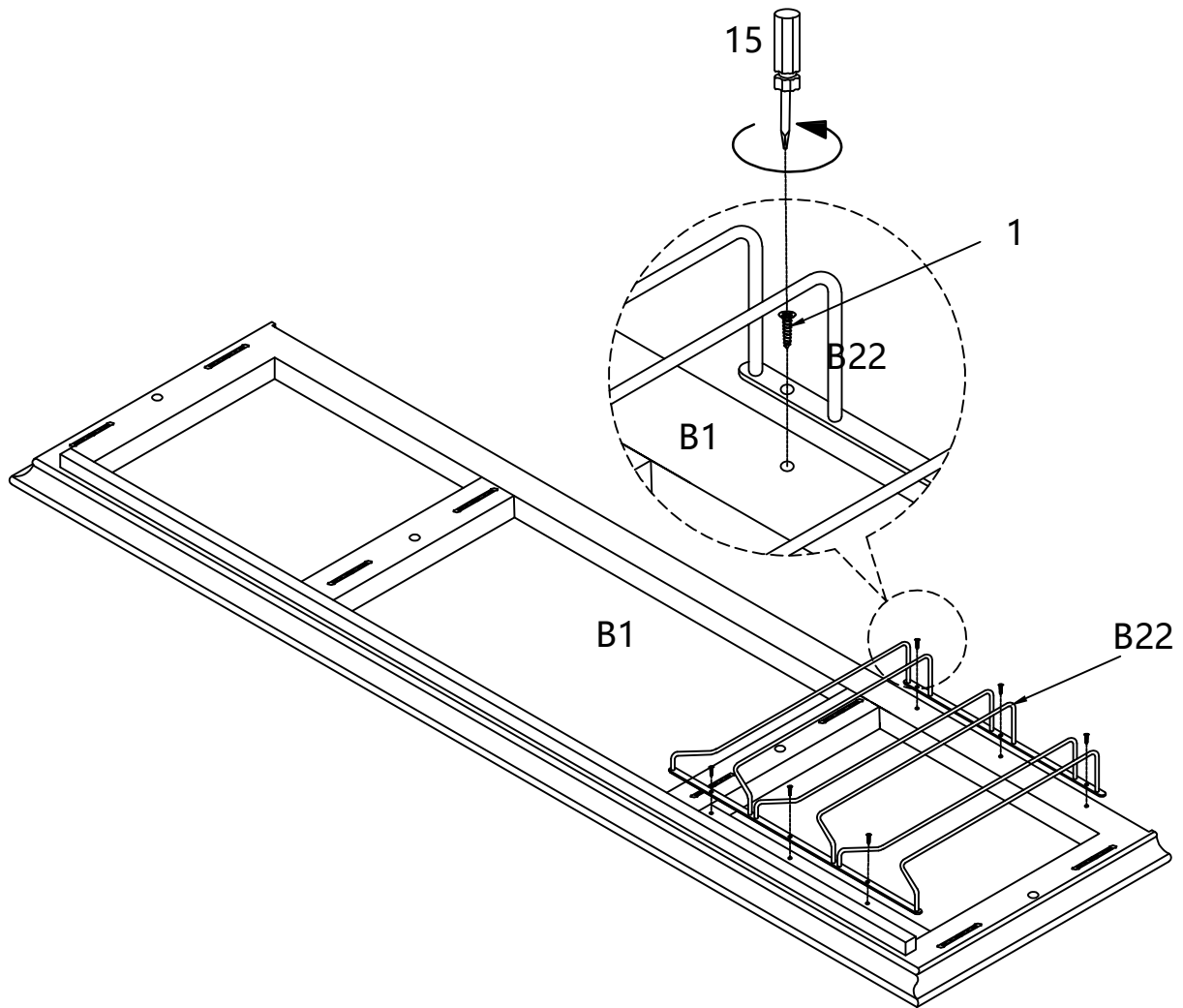
HARDWARE SPARE LIST

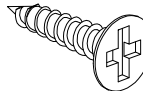
1	x5	2	x1	3	x3	6	x1	7	x1
									
ø4*15mm		ø1/4"*58mm		ø3*15mm				ø4"*25mm	

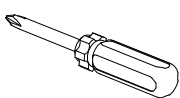
ASSEMBLY INSTRUCTIONS

STEP-1

1. Connect part (B22) to part (B1) with screw #1, tight screw with screwdriver #15.



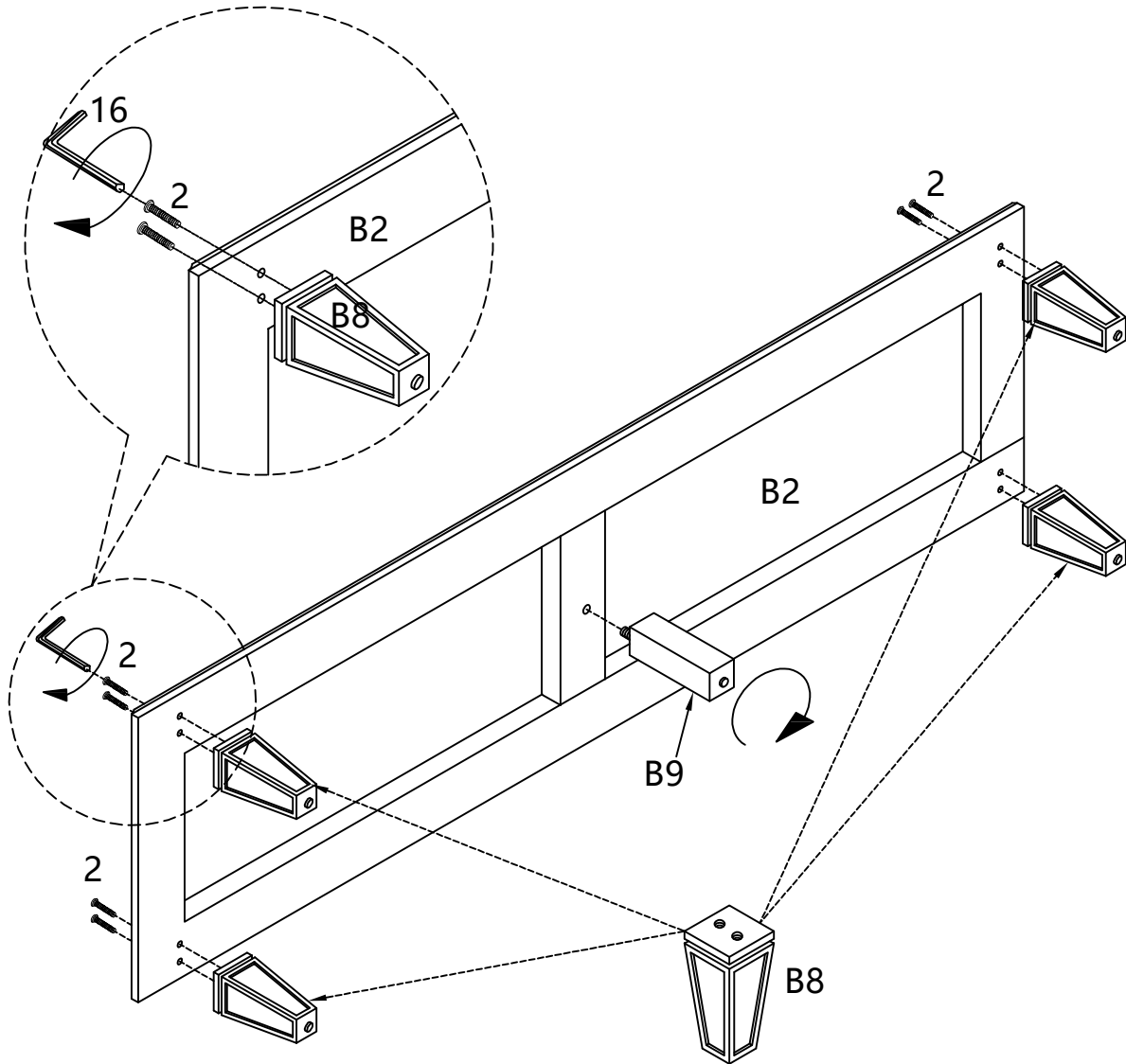
1	x6
	
ø4*15mm	

15	x1
	
M5	

ASSEMBLY INSTRUCTIONS

STEP-2

1. Connect part(B8/B9) to part (B2) with bolt #2, tight bolt with allen wrench #16..



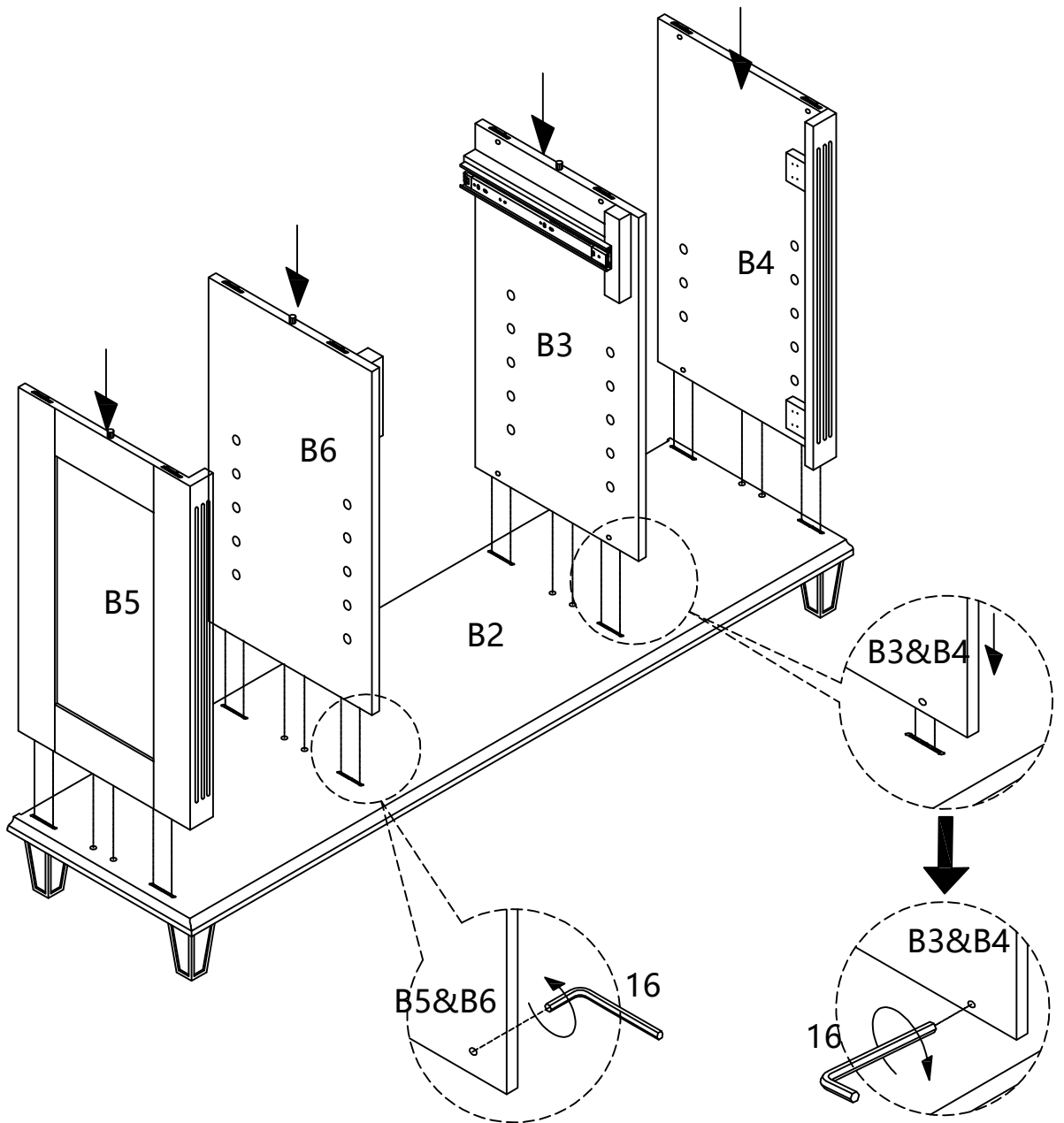
2	x8
ø1/4"*58mm	

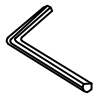
16	x1
M4	

ASSEMBLY INSTRUCTIONS

STEP-3

1. Insert the part (B3/B4/B5/B6) into the corresponding holes in the part(B2), make sure all the holes line up and tighten it with allen wrench #16 as shown in the picture.

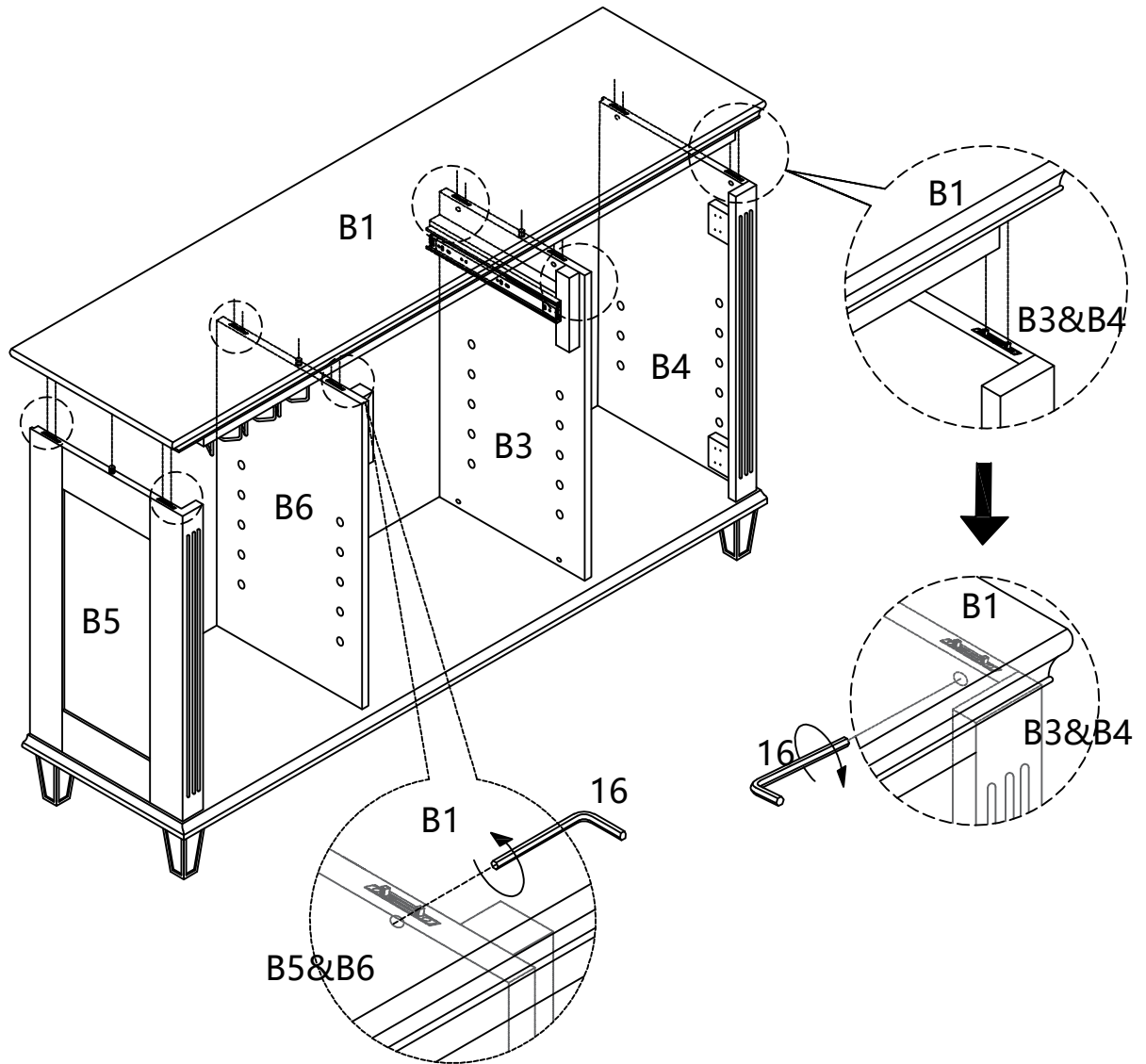


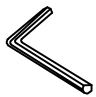
16	x1
	
M4	

ASSEMBLY INSTRUCTIONS

STEP-4

1. Insert top panel (B1) into the corresponding holes in the unit pre-assembled at step 3, make sure all the holes line up and tighten it with allen wrench #16 as shown in the picture.

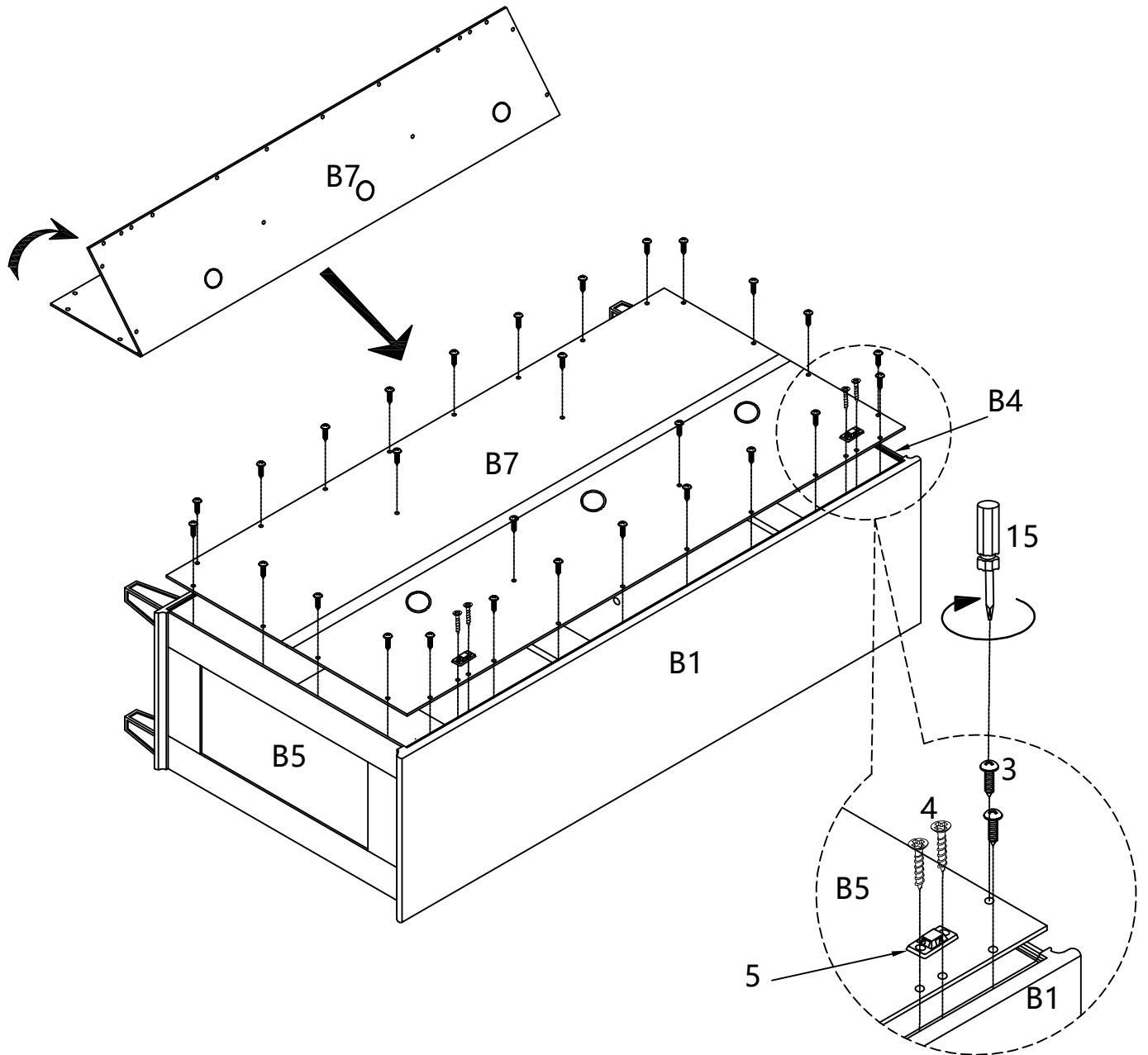


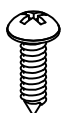


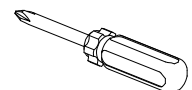
16	x1
	
M4	

ASSEMBLY INSTRUCTIONS

STEP-5

1. Insert back panel (B7) into the groove of the unit pre-assembled at step 4, make sure all the holes aligned and use screw 3# to attach them, tight screw with screwdriver 15#.

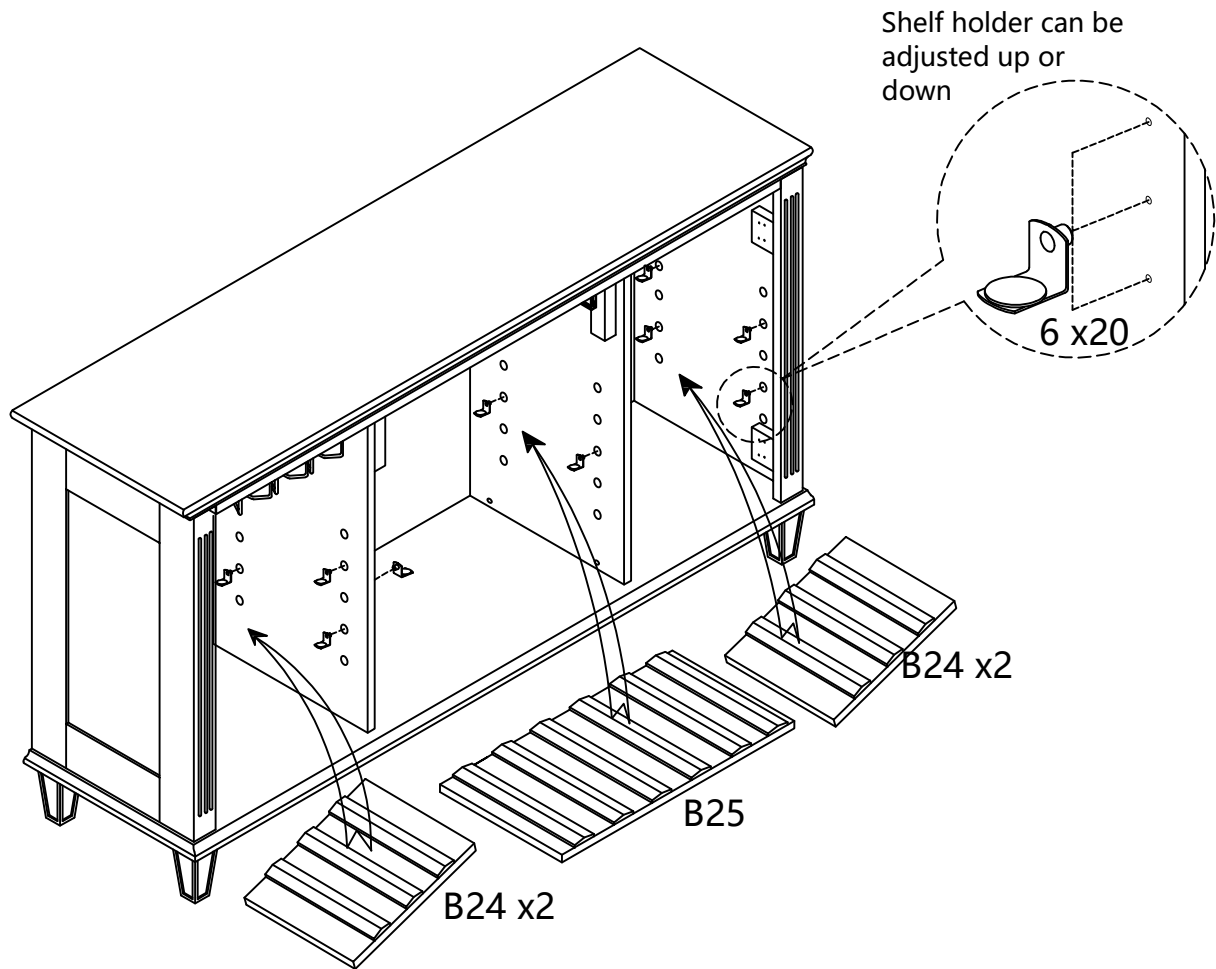


3	x28	4	x4	5	x2	15	x1
							
$\phi 3 \times 15 \text{mm}$		$\phi 3 \times 20 \text{mm}$					

ASSEMBLY INSTRUCTIONS

STEP-6

1. Insert shelf holder 6# to the unit pre-assembled at step 5 and attach the part(B24/B25) to them.

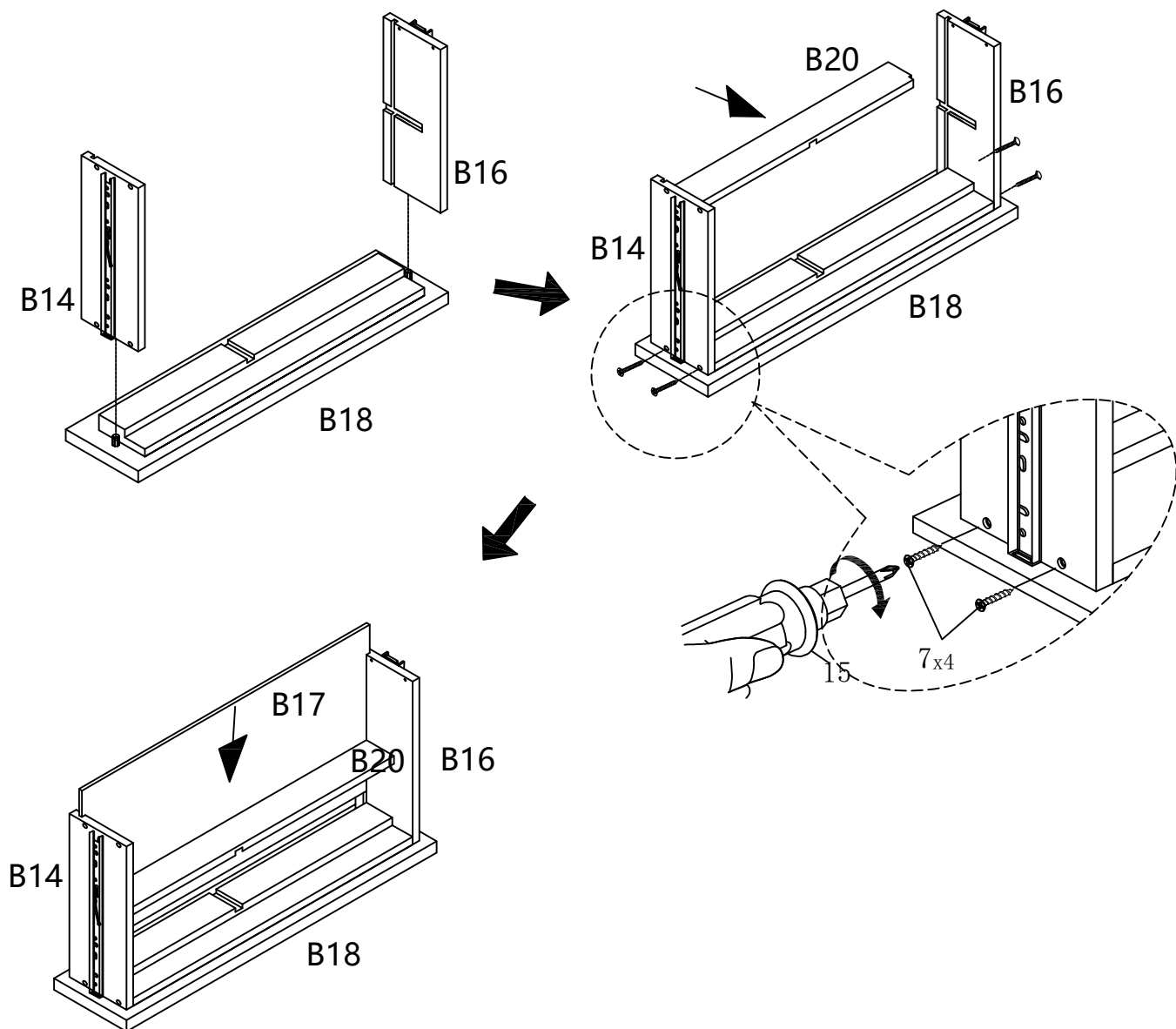



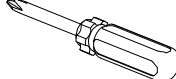
6	x20

ASSEMBLY INSTRUCTIONS

STEP-7

1. Connect part (B14/B16) to part (B18) with screw #7, tight screw with screwdriver #15, slid part (B20) to part (B14/B16). please pay attention to the direction of the groove on the part (B20).
2. slid part (B17) to part (B14/B16), make sure it also in the groove of part (B18).

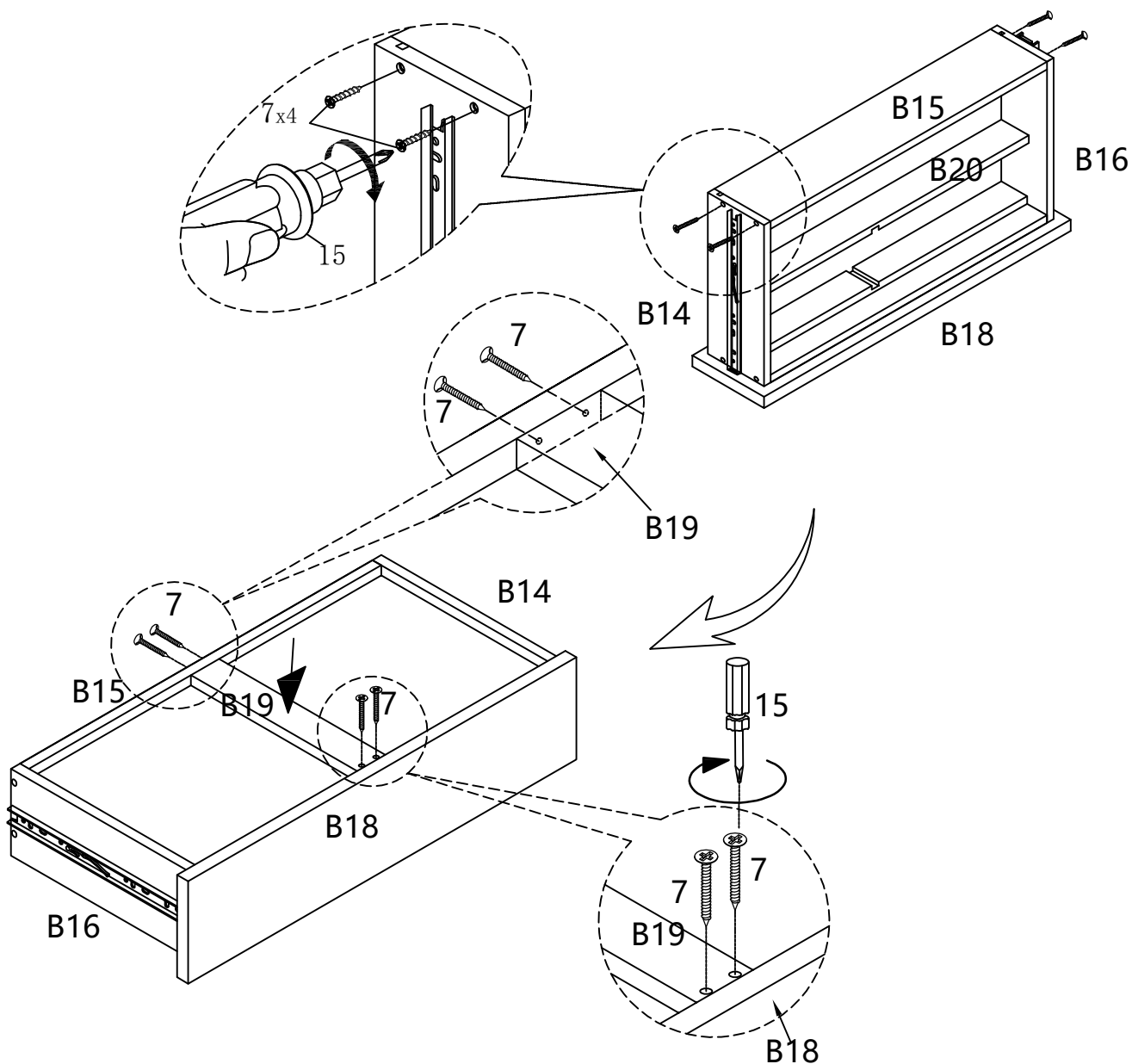



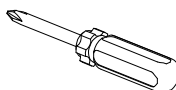
7	x4	15	x1
			
Ø4*25mm			

ASSEMBLY INSTRUCTIONS

STEP-8

1. Connect the unit pre-assembled at step 7 to part (B15) with screw #7, tight screw with screwdriver #15, connect part (B19) to the drawer bottom with screw #7, tight screw with screwdriver #15.

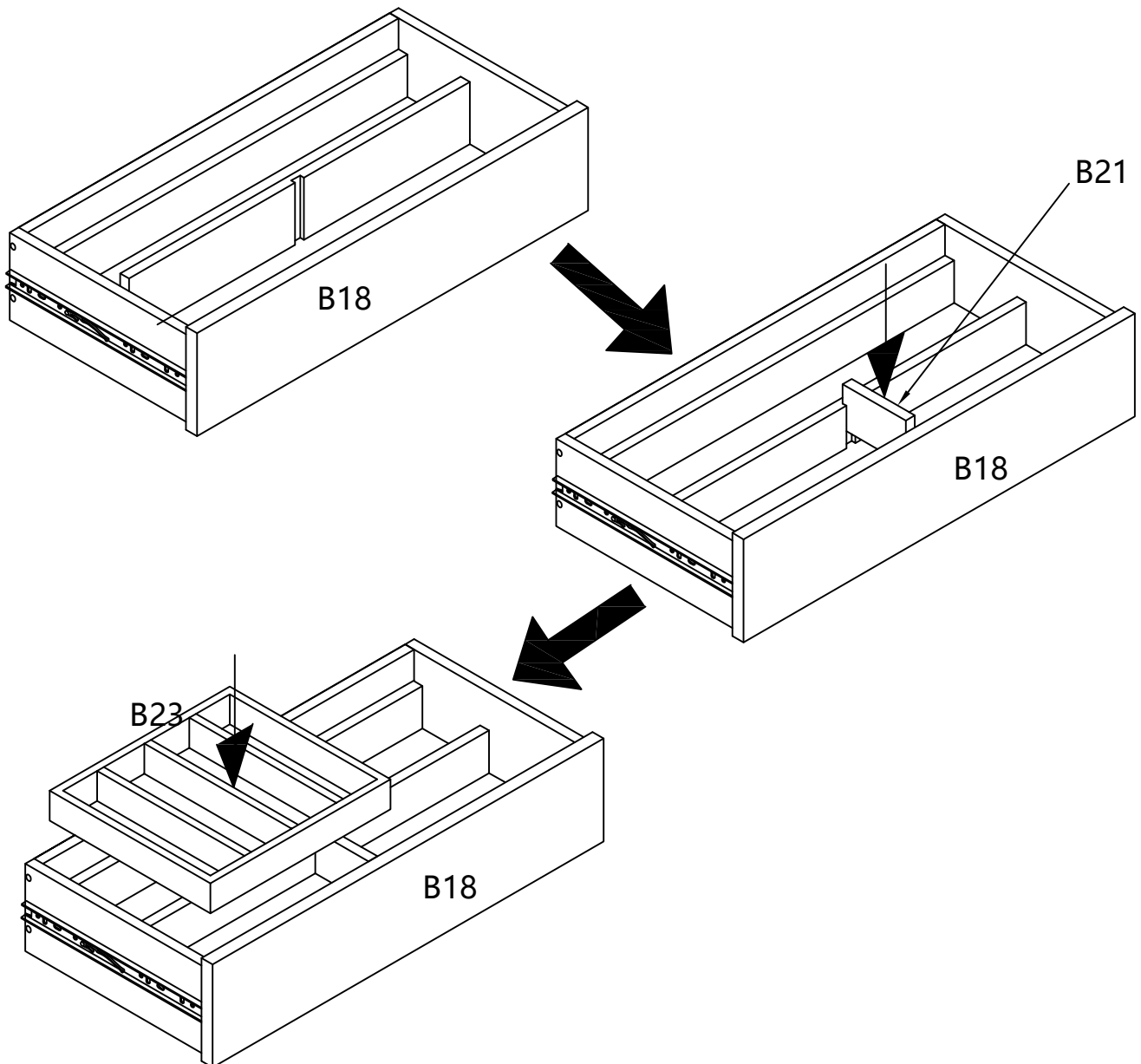


7	x8	15	x1
			
ø4*25mm			

ASSEMBLY INSTRUCTIONS

STEP-9

1. Slide the part (B21) to the drawer as picture, attach the part(B23) to the drawer .

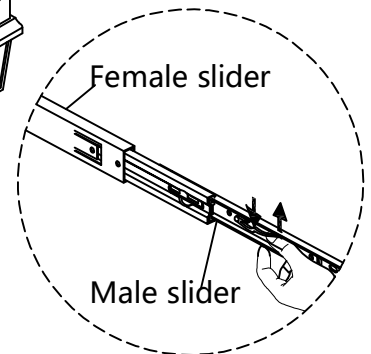
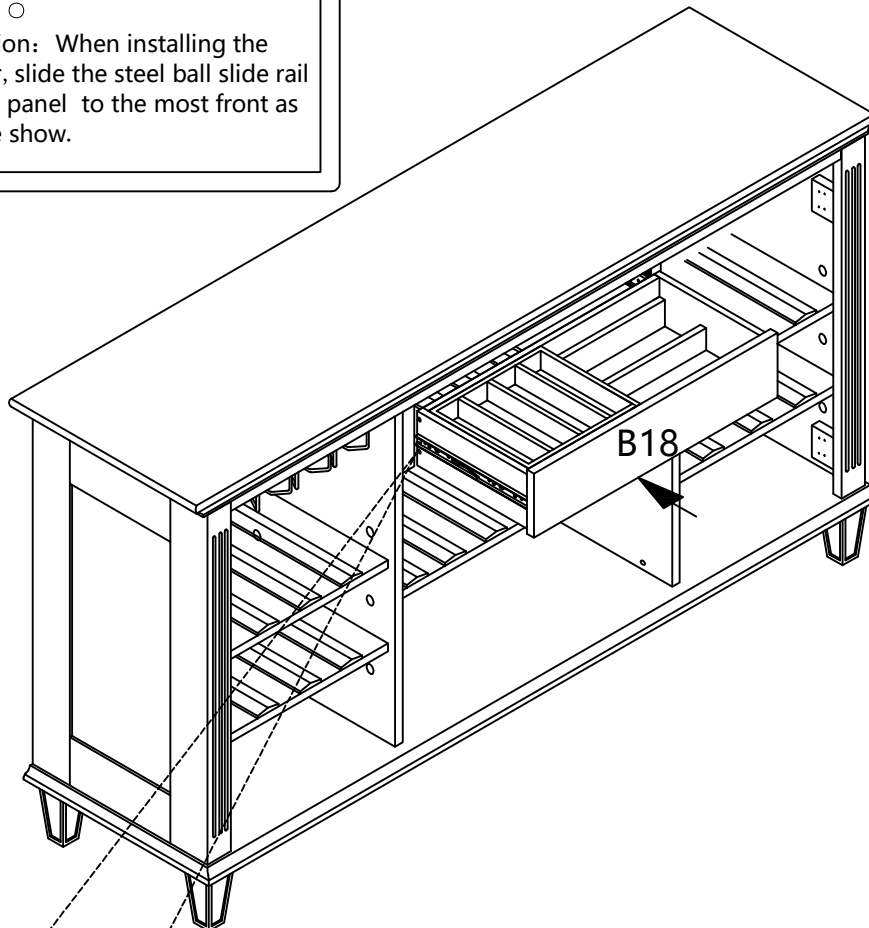


ASSEMBLY INSTRUCTIONS

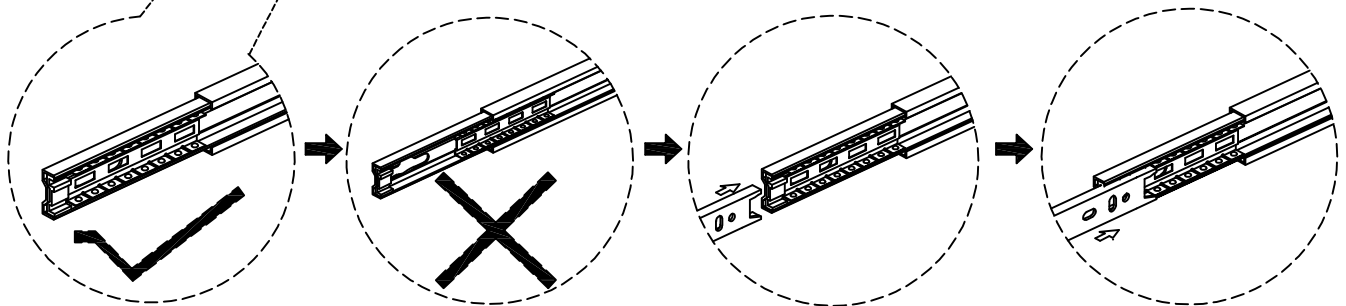
STEP-10

1. Attache the big drawer to the unit pre-assembled at step 6 .

! Attention: When installing the drawer, slide the steel ball slide rail of side panel to the most front as picture show.



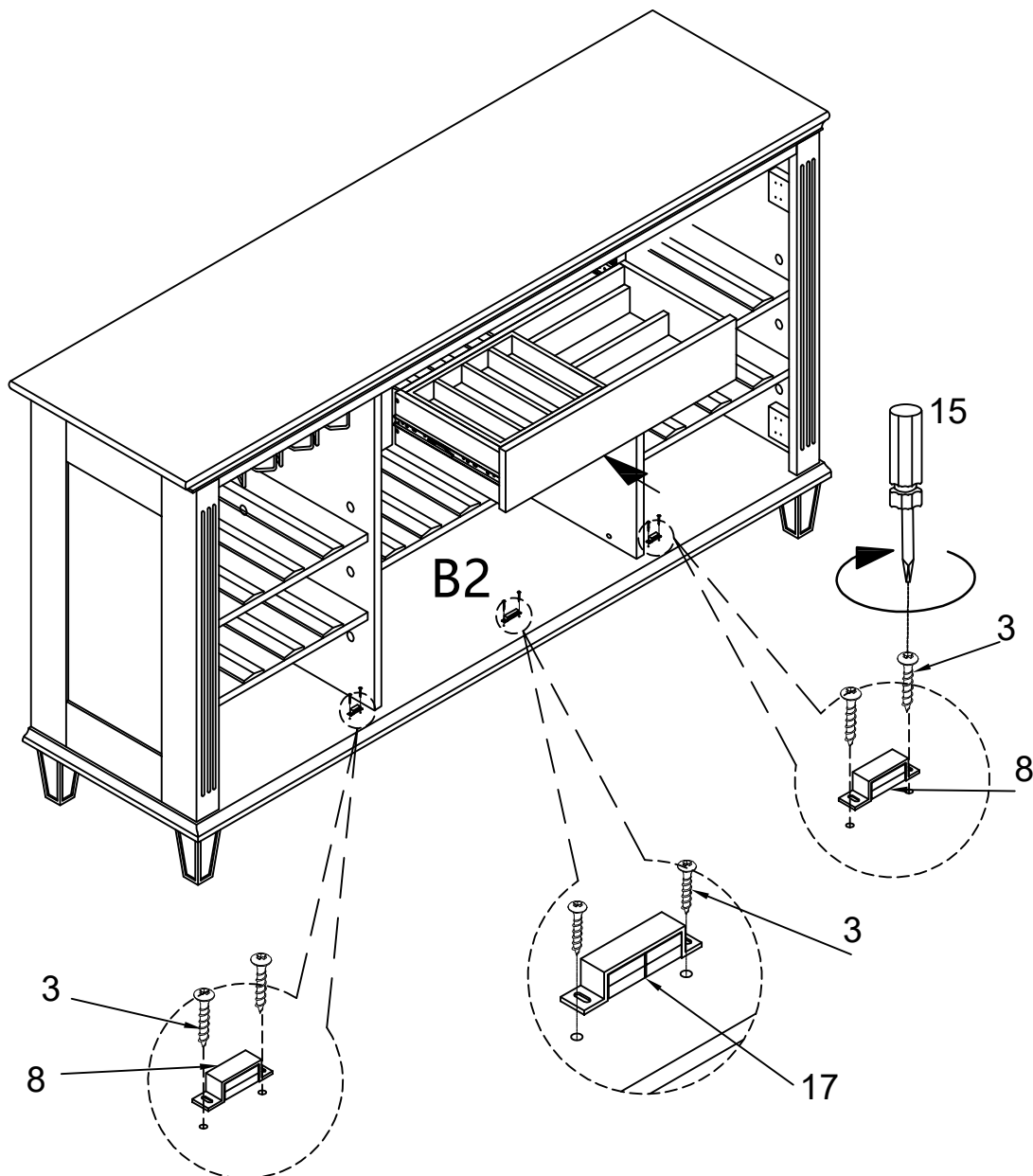
Schematic diagram of slide rail disassembly


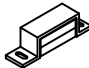
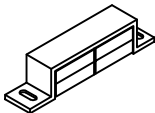
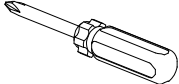


ASSEMBLY INSTRUCTIONS

STEP-11

1. Connect the part #8 and #17 to the unit pre-assembled at step 10 with screw #3, tight screw with screwdriver #15.



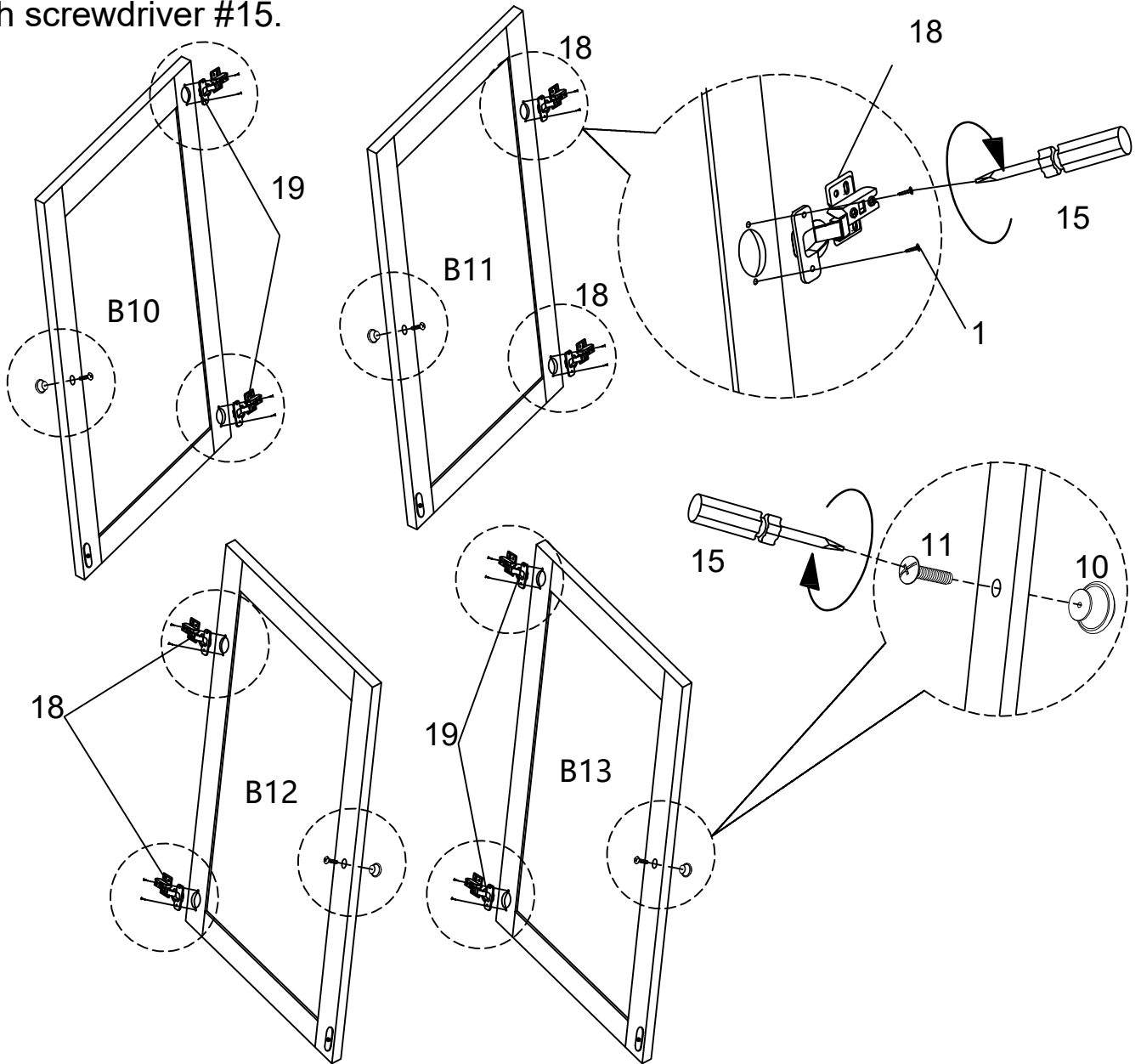
3	x6	8	x2	17	x1	15	x1
							
Ø3*15mm							

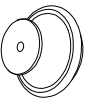
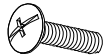
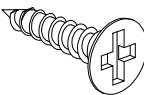
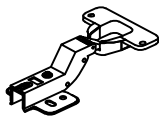
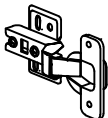
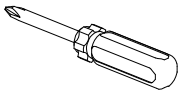
ASSEMBLY INSTRUCTIONS

STEP-12

1. Connect the part #18 to (B11/B12) with screw #1, tight screw with screwdriver #15. Connect the part #19 to (B10/B13) with screw #1, tight screw with screwdriver #15.

2. connect the part #10 to (B10/B11/B12/B13) with screw #11, tight screw with screwdriver #15.

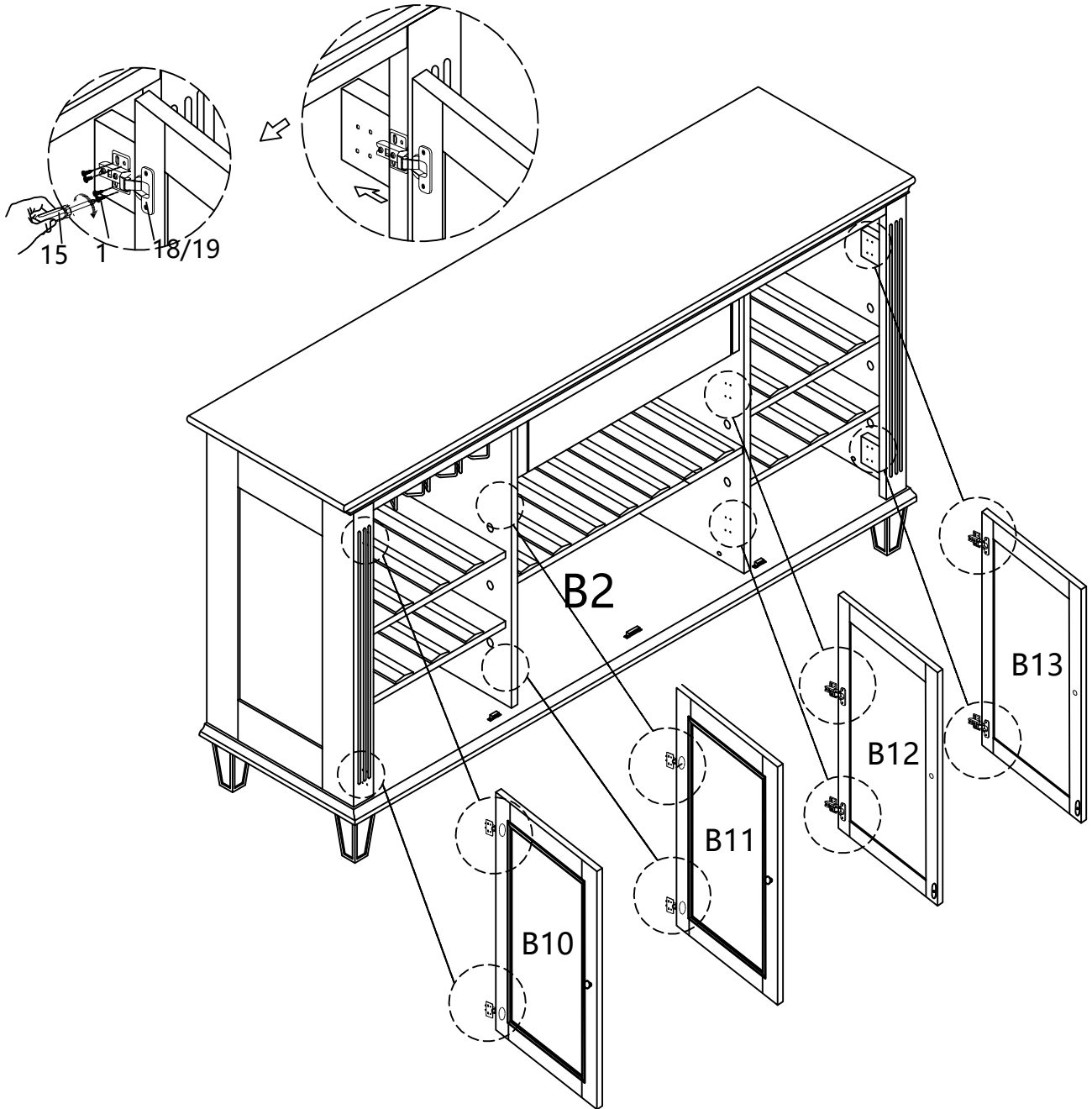


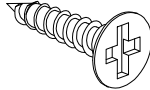
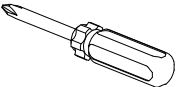
10	x4	11	x4	1	x16	18	x4	19	x4	15	x1
											
ø3*15mm				ø4*15mm							

ASSEMBLY INSTRUCTIONS

STEP-13

1. Connect the part (B10/B11/B12/B13) to the unit pre-assembled at step 11 with screw #1, tight screw with screwdriver #15.

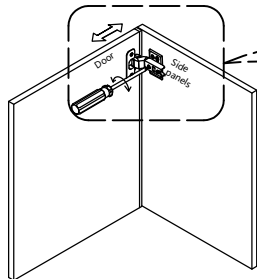


1	32	15	x1
			
ø4*15mm			

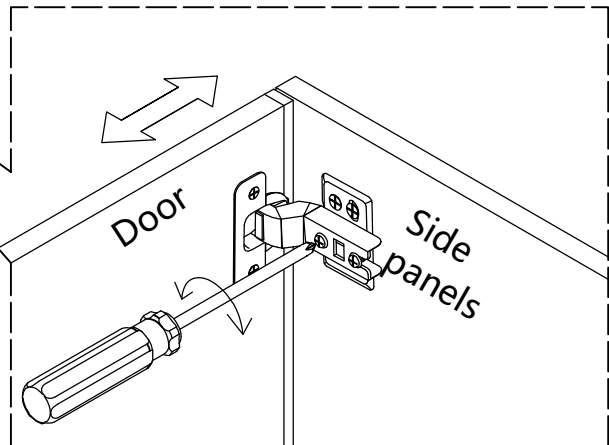
ASSEMBLY INSTRUCTIONS

STEP-14

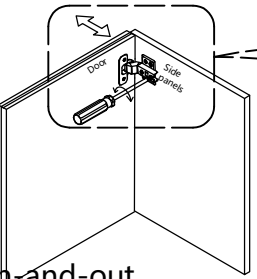
Concealed hinges are three-way adjustable:



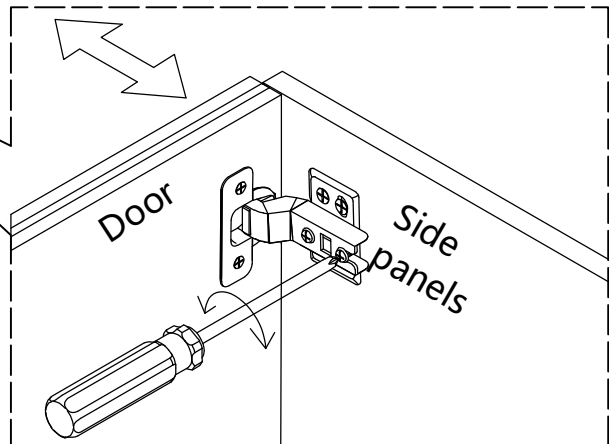
Horizontal
by screw adjustment!



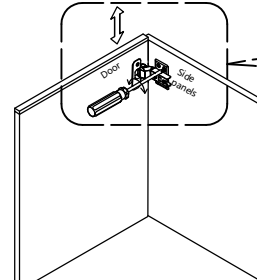
Concealed hinges are three-way adjustable:



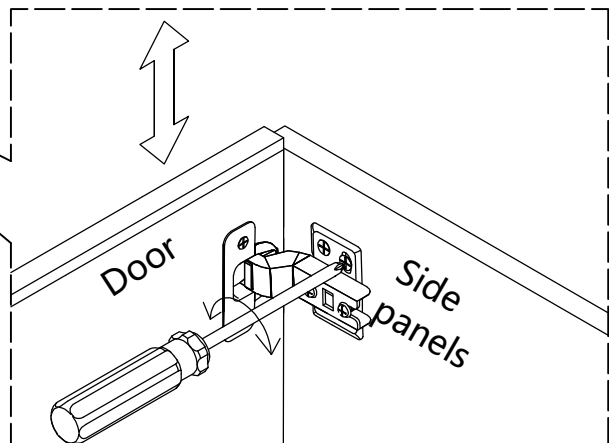
In-and-out
by loosening the hinge arm
mounting screw or via cam
adjustment!



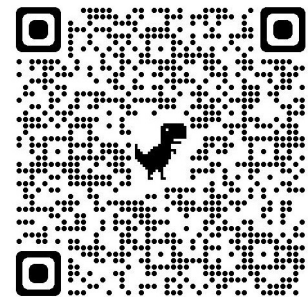
Concealed hinges are three-way adjustable:



Vertical via slots in
the mounting plate
or via cam adjustment!



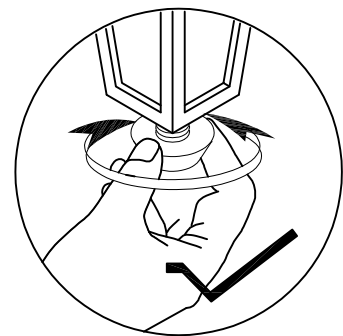
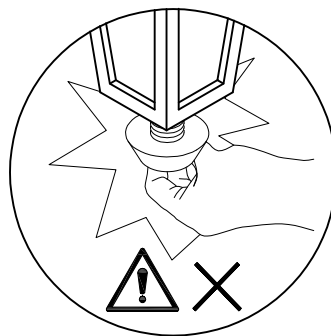
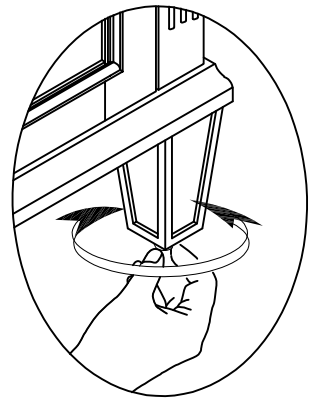
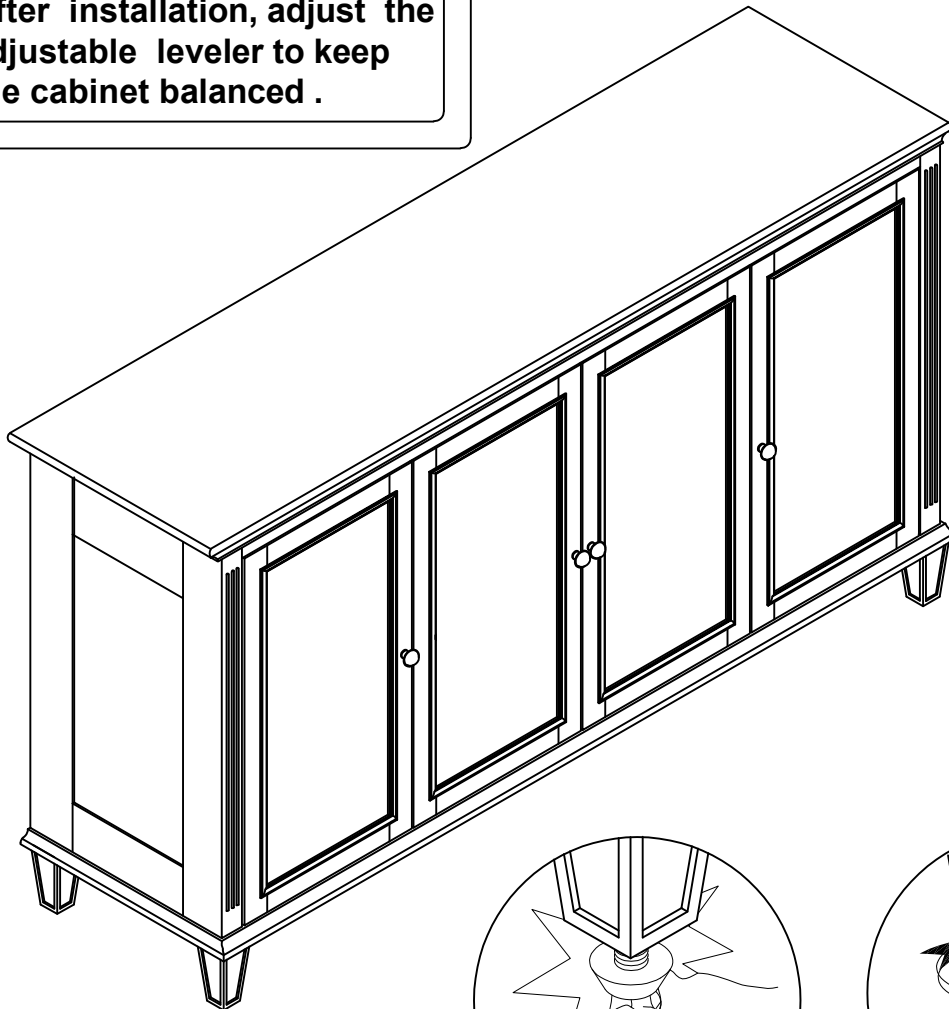
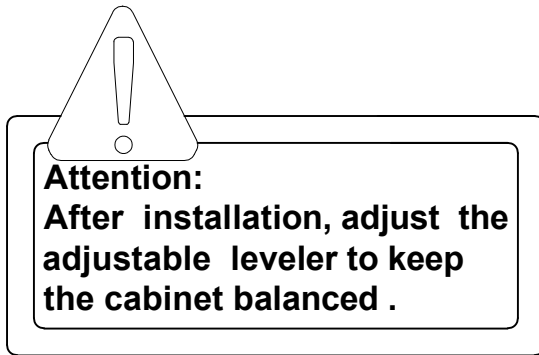
Hinge adjustment method



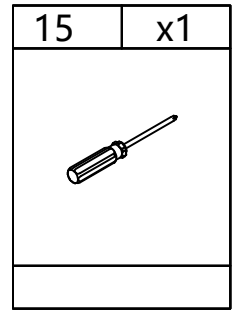
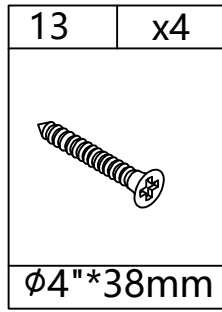
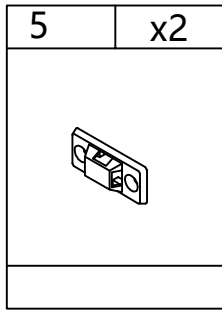
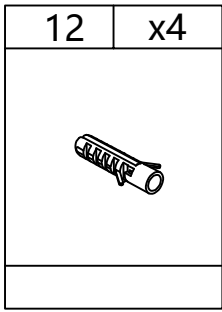
Video for door adjustment

ASSEMBLY INSTRUCTIONS

STEP-15

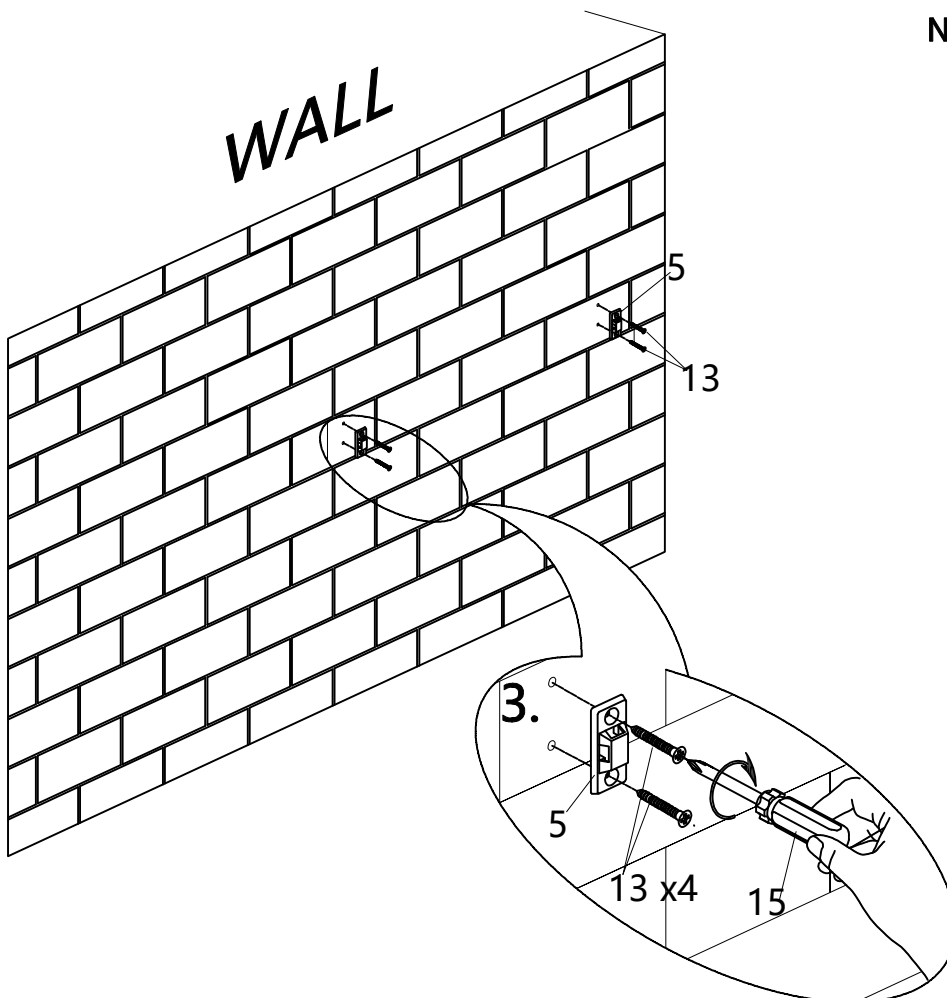


ASSEMBLY INSTRUCTIONS

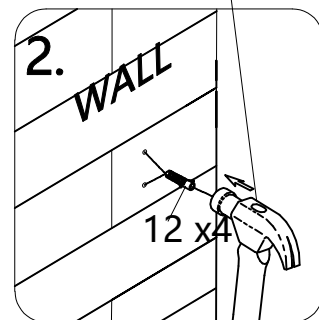
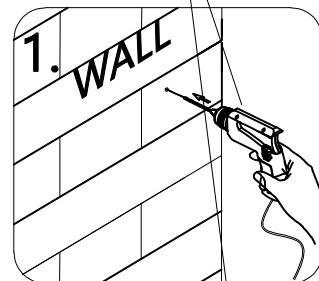


STEP-16

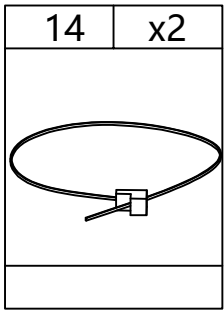
1. Install the anti-collapse device.
2. Mark the position on the wall, that corresponds to the location of part #5 on the back of panel (B7); Drill and insert the expandable screw #12 by hammer.
3. Assemble the part #5 to the wall. Align the hole in the part #5 with the expandable screw #12, use screw #13 to attach it and tighten by screwdriver #15.



NOT PROVIDED

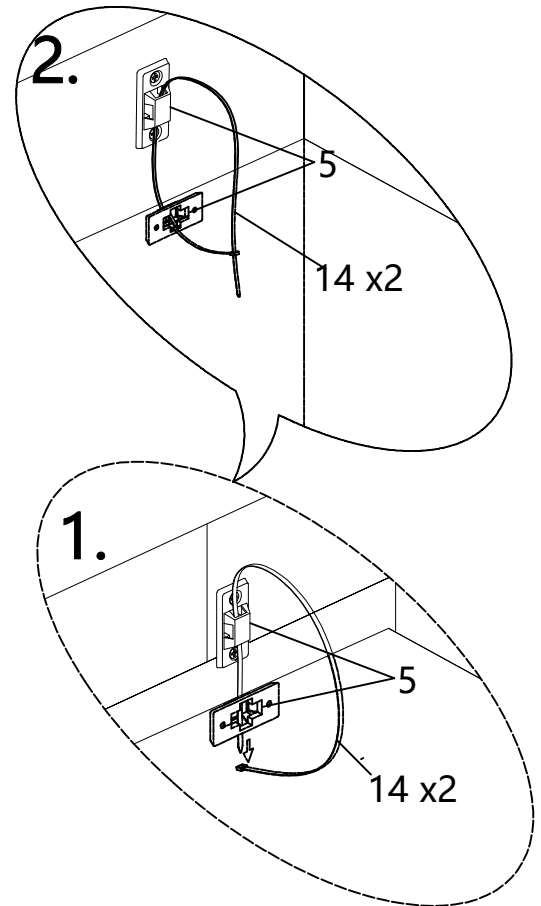
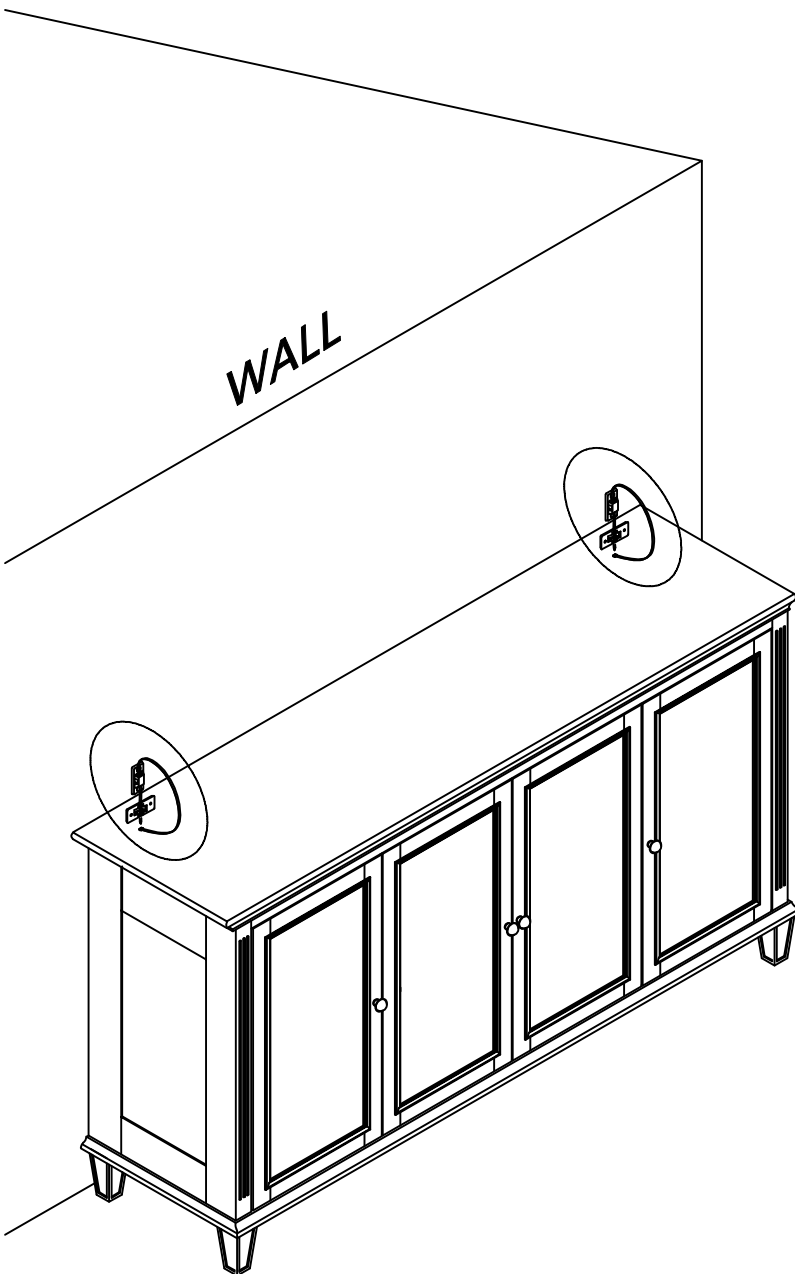


ASSEMBLY INSTRUCTIONS



STEP-17

Let the plastic belt #14 pass through the both part #5 and pull tightly.



WARRANTY

1. We strive to offer high-quality products, and we also try our best to satisfy each and every customer that orders from us with product or service as needed.
2. We provide 30 days warranty starting from the time you receive the item. Each customer must provide a record of their order such as the order number, or item receipt for any items that are out of the warranty period you may also still receive.
3. Replacement parts by purchasing them with our company if they are available.

Appreciate your purchasing from us.
Pop up your life by our furniture piece!