




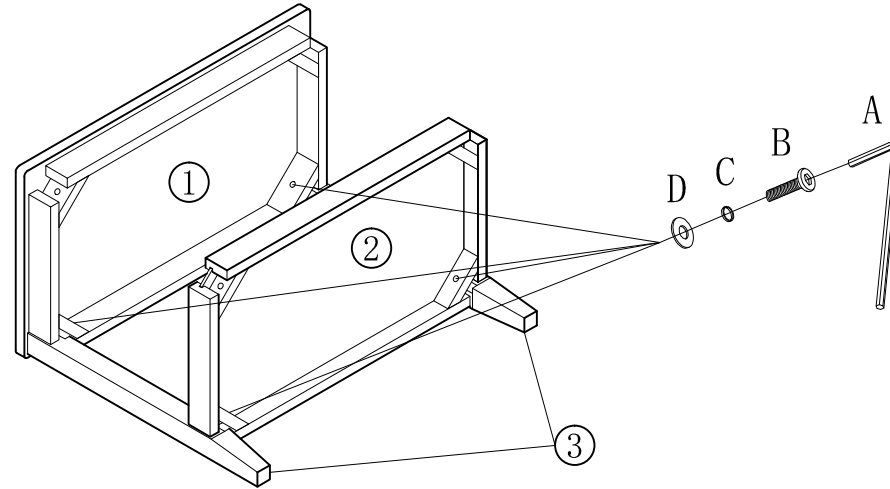
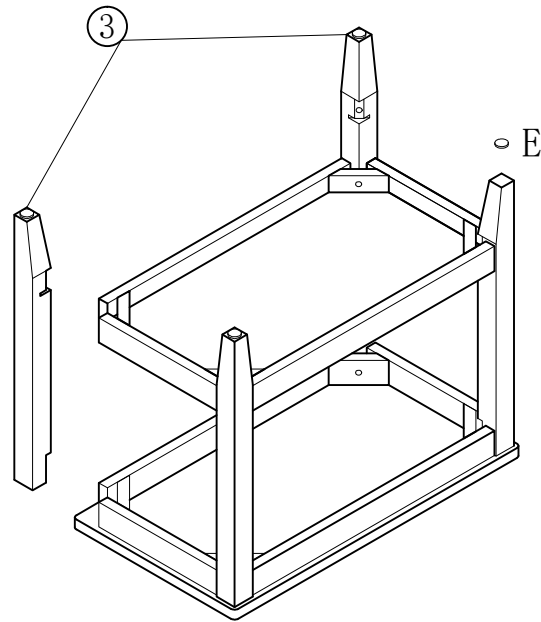


# RF-HD249N

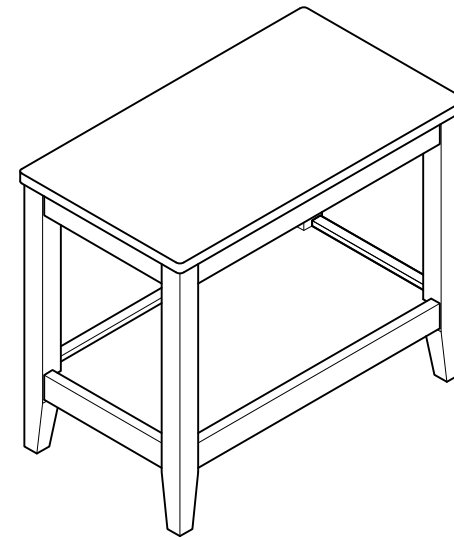
	A	1	4mm
	B	8	M6*50*12
	C	8	M6
	D	8	M6*16*1
	E	4	φ 20*3



Step 1: Install the panel / bottom frame and legs.  
(Place a soft cloth or padding underneath to avoid scratches.)



Step 2: Attach the legs and stick on the foot pads.



Step 3: Installation completed.