

Large Square Window

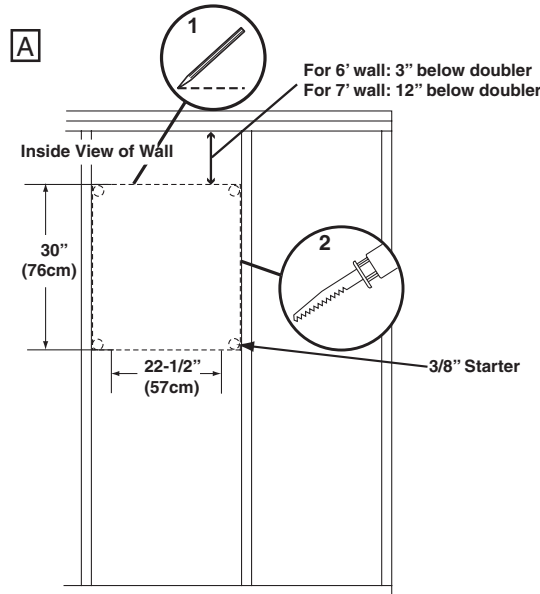
LDR 06/15/06 PL

An easy and attractive way to give any wooden structure its own view on the world

1-800-437-0784

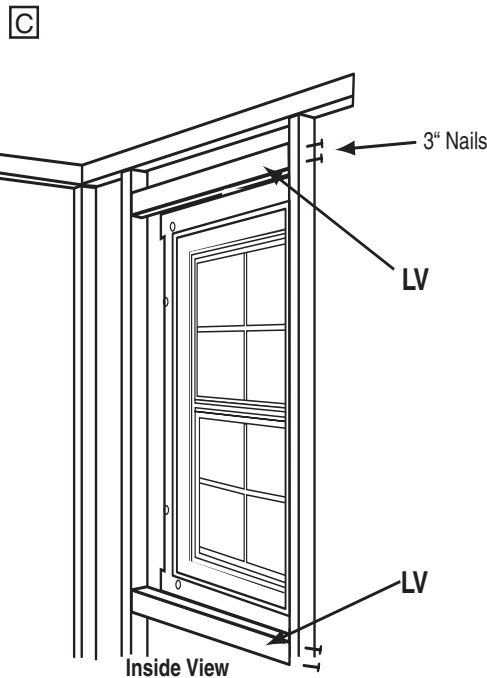
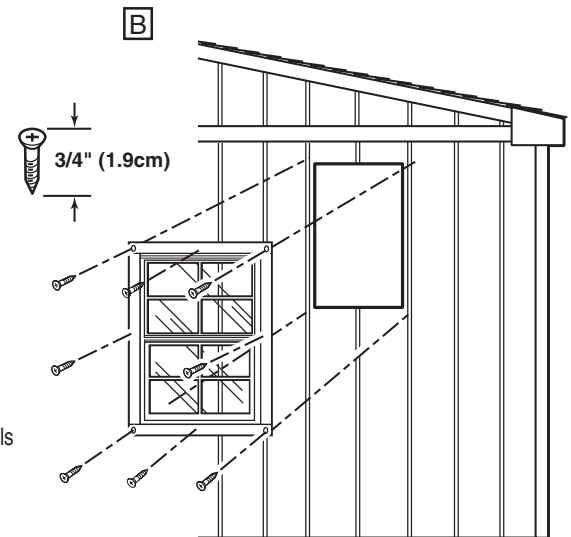
#16600

PARTS LIST			
Part	Qty.	Description	Size
(LV)	2	Framing	2x3x22-1/2"
(DT)	2	Hor. Trim	1x3x28-1/8"
(DV)	2	Ver. Trim	1x3x30-1/8"
	1	Window	
	1	Hardware Kit	
(8) 3/4" Screws; (28) Finish Nails; (8) 3" Nails			



1 Window Opening

1. Locate area to install window, making sure there are no studs or braces in the way.
2. Mark an opening 22-1/2" wide by 30" high using outside of dotted line (fig. A-1).
3. Drill 3/8" starter hole in corners. Cut opening according to marked line (fig. A-2).
4. Place framing (LV) at top and bottom of cutout flush with opening edges, nail through studs into framing ends. (fig. C)
5. Position window in opening from outside the building. Attach window using eight 3/4" screws (fig. B).



2 Window & Trim Installation

2. Position and center vertical window trim (DV) flush to mid-lip on the window frame. Secure trim with (6) 4d finish nails, making sure not to nail through the window flange. Continue with the other side. Center trim pieces (DT) and attach with (6) 4d finish nails per piece.

Note that the horizontal trim (DT) piece overhangs vertical piece (DV) on the ends by about 3/8".

Notice: Caulk window trim (with a quality, paintable exterior grade caulk) along sides and across top and bottom.

